



Spare parts catalogue
XEF 250 MY21

Index

0 - Models (XEF 250 MY21)	4
1 - Frame (XEF 250 MY21)	6
2 - Swingarm (XEF 250 MY21)	9
3 - Rear shock absorber (XEF 250 MY21)	11
4 - fork plates (XEF 250 MY21)	13
5 - Front fork (XEF 250 MY21)	15
6 - Front wheel (XEF 250 MY21)	18
7 - Rear Wheel (XEF 250 MY21)	20
8 - Front Brake (XEF 250 MY21)	22
9 - Rear Brake (XEF 250 MY21)	24
10 - Radiators (XEF 250 MY21)	27
11 - Fuel tank (XEF 250 MY21)	29
12 - Intake (XEF 250 MY21)	31
13 - Exhaust (XEF 250 MY21)	34
14 - Commands (XEF 250 MY21)	36
15 - Front Bodywork (XEF 250 MY21)	38
16 - Rear Bodywork (XEF 250 MY21)	40
17 - Wiring (XEF 250 MY21)	43
18 - Decalco (XEF 250 MY21)	46
19 - Crankcase (XEF 250 MY21)	48
20 - Crankcase covers (XEF 250 MY21)	50
21 - Cylinder (XEF 250 MY21)	52
22 - Valves (XEF 250 MY21)	54
23 - Distribution (XEF 250 MY21)	56
24 - Crankshaft (XEF 250 MY21)	58
25 - Clutch (XEF 250 MY21)	60
26 - Water Pump (XEF 250 MY21)	62
27 - Oil Pump (XEF 250 MY21)	64
28 - Oil filter (XEF 250 MY21)	66
29 - Shifter (XEF 250 MY21)	68

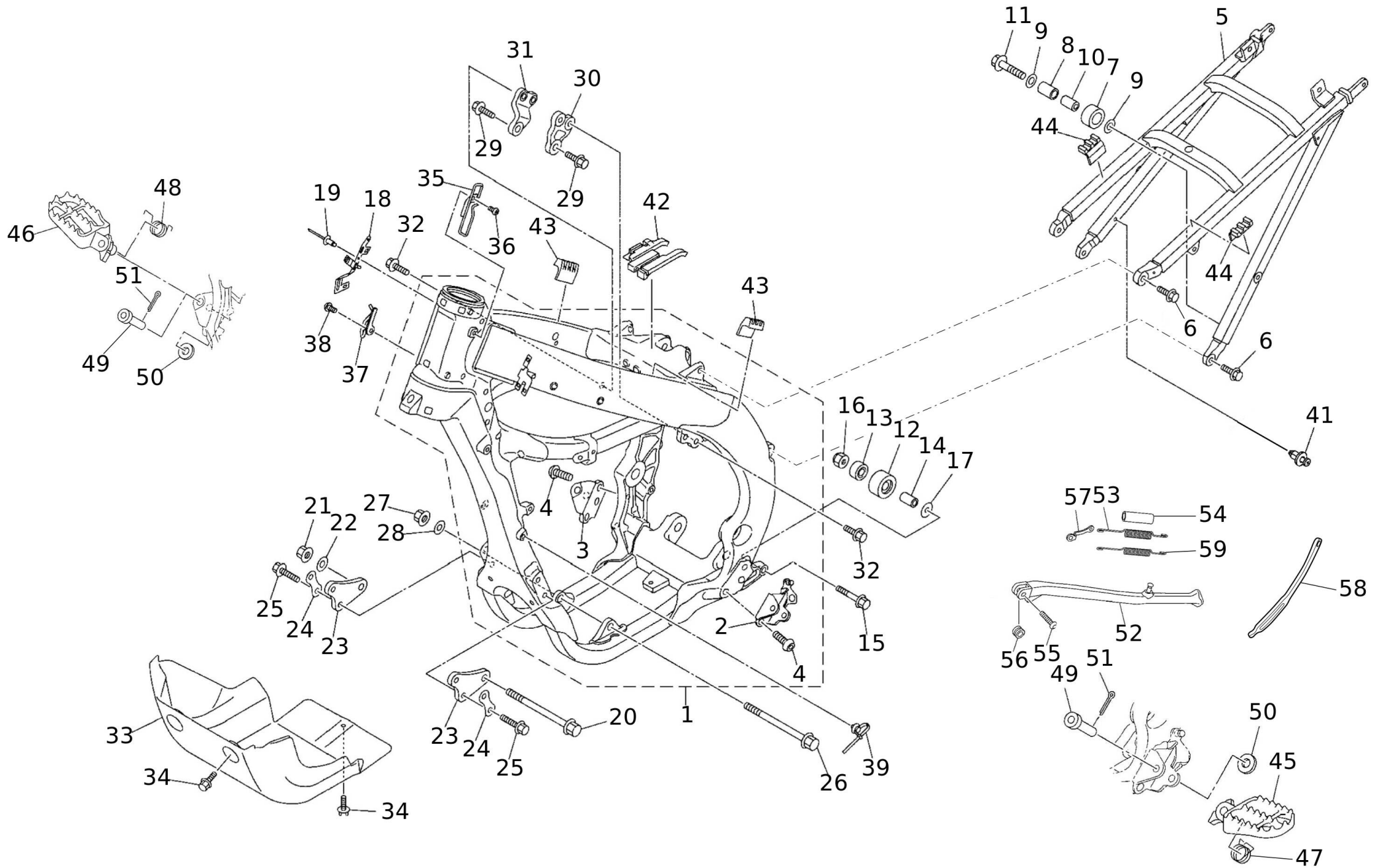
30 - Desmodromic (XEF 250MY21)	70
31 - Gear shif (XEF 250 MY21)	72
32 - Starting Motor (XEF 250 MY21)	74
33 - Wheel starter (XEF 250 MY21)	76
34 - flywheel (XEF 250 MY21)	78
100 - Suggested Spare Parts 4 Stroke	80
101 - Suggested Spare Parts 4 Stroke	82



XEF 250

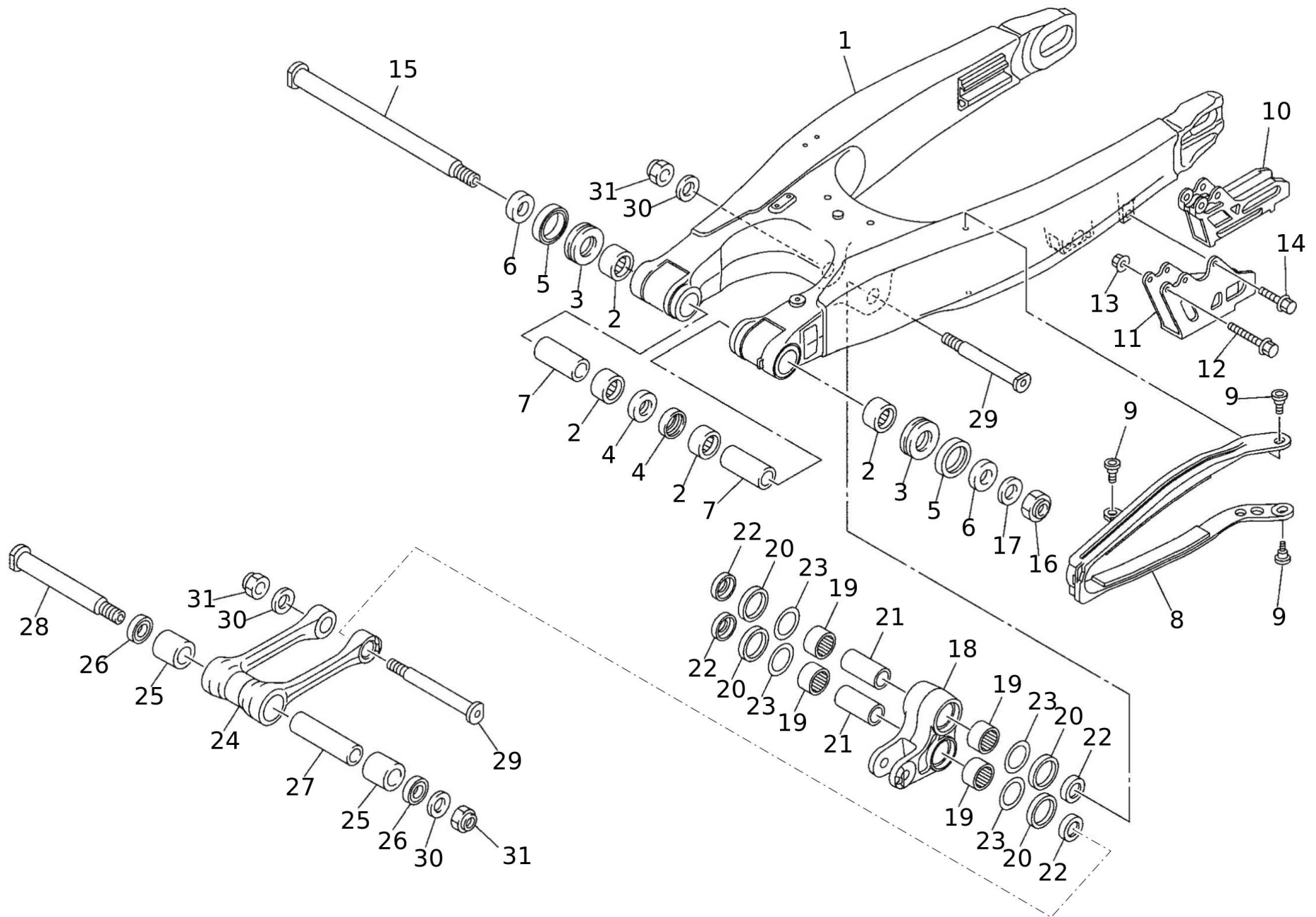
#	Code	Description	Specification	UM	Qty
---	------	-------------	---------------	----	-----



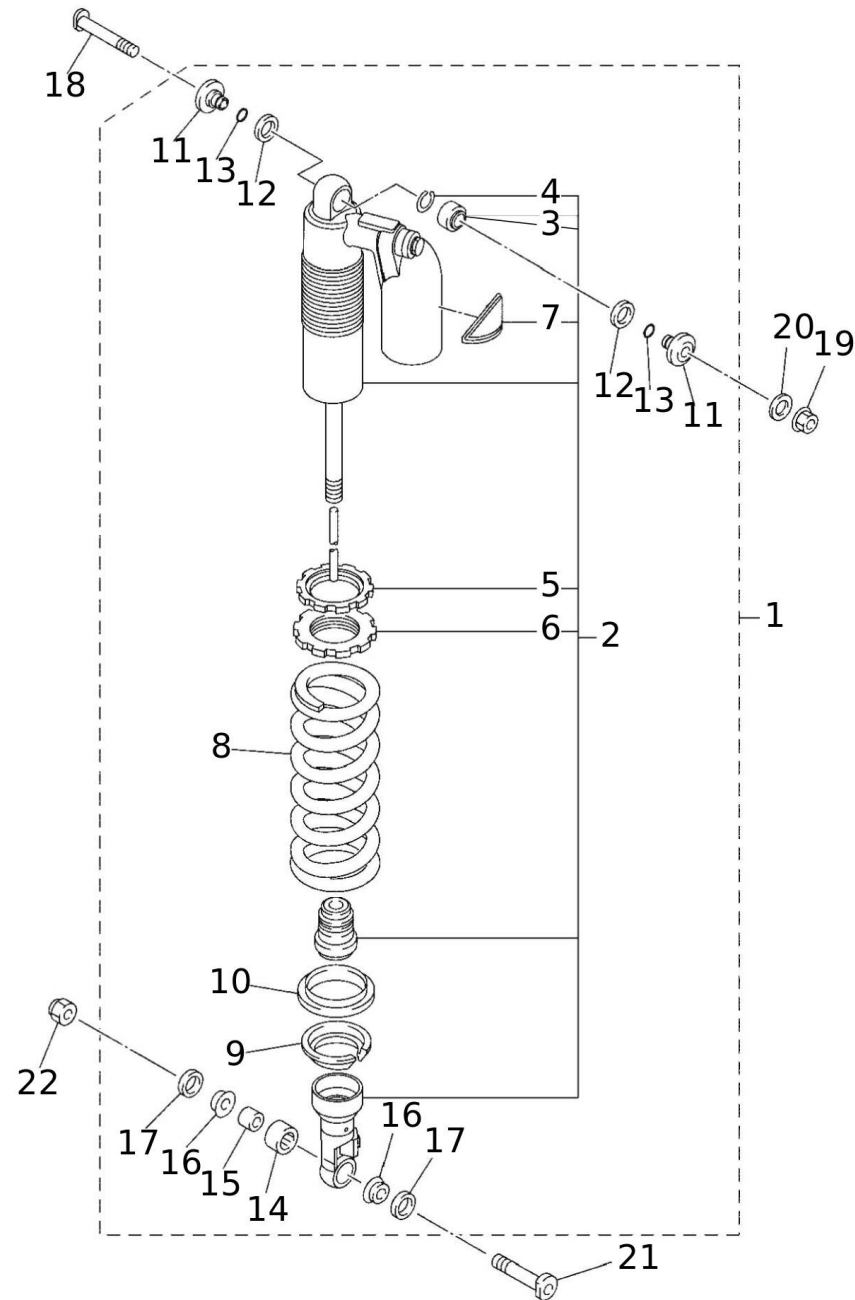


#	Code	Description	Specification	UM	Qty
1	06928020	GRUPPO TELAIO ANTERIORE		pz	1
2	06929005	.BRACKET, FOOTREST		pz	1
3	06930005	BRACKET FOOTREST		pz	1
4	05997005	SCREW		pz	4
5	08402005	FRAME		pz	1
6	06932005	BOLT FLANGE		pz	4
7	06004005	TENSIONER		pz	1
8	06005005	COLLAR		pz	1
9	06006005	WASHER PLATE		pz	2
10	06007005	COLLAR		pz	1
11	06933005	BOLT FLANGE DEEP RECESS		pz	1
12	06934005	TENSIONER		pz	1
13	06010005	BEARING		pz	1
14	06011005	COLLAR		pz	1
15	06935005	BOLT FLANGE		pz	1
16	06013005	NUT SELF-LOCKING		pz	1
17	06014005	WASHER PLATE		pz	1
18	06936005	BRACKET, BATTERYBOX		pz	1
19	06937005	RIVET BLIND		pz	2
20	06938005	BOLT FLANGE		pz	1
21	06016005	NUT		pz	1
22	06350005	WASHER		pz	1
23	06939005	SUPPORTO ANTERIORE BASSO 1		pz	2
24	06940005	SUPPORTO ANTERIORE BASSO 2		pz	2
25	06941005	BOLT FLANGE		pz	4
26	06022005	BOLT FLANGE		pz	1
27	06016005	NUT		pz	1
28	06350005	WASHER		pz	1
29	06942005	BOLT FLANGE		pz	2
30	06943005	SUPPORTO POSTERIORE ALTO 1		pz	1
31	06944005	SUPPORTO POSTERIORE ALTO 2		pz	1
32	06941005	BOLT FLANGE		pz	4
33	07375005	GUARD ENGINE 1		pz	1
34	06945005	BOLT WITH WASHER		pz	3
35	06946005	CLAMP		pz	1
36	06947005	BOLT BUTTON HEAD		pz	1
37	06948005	CLAMP		pz	1
38	06947005	BOLT BUTTON HEAD		pz	1
39	06949005	FASCETTA		pz	1
40	06950005	COVER SIDE 6		pz	1

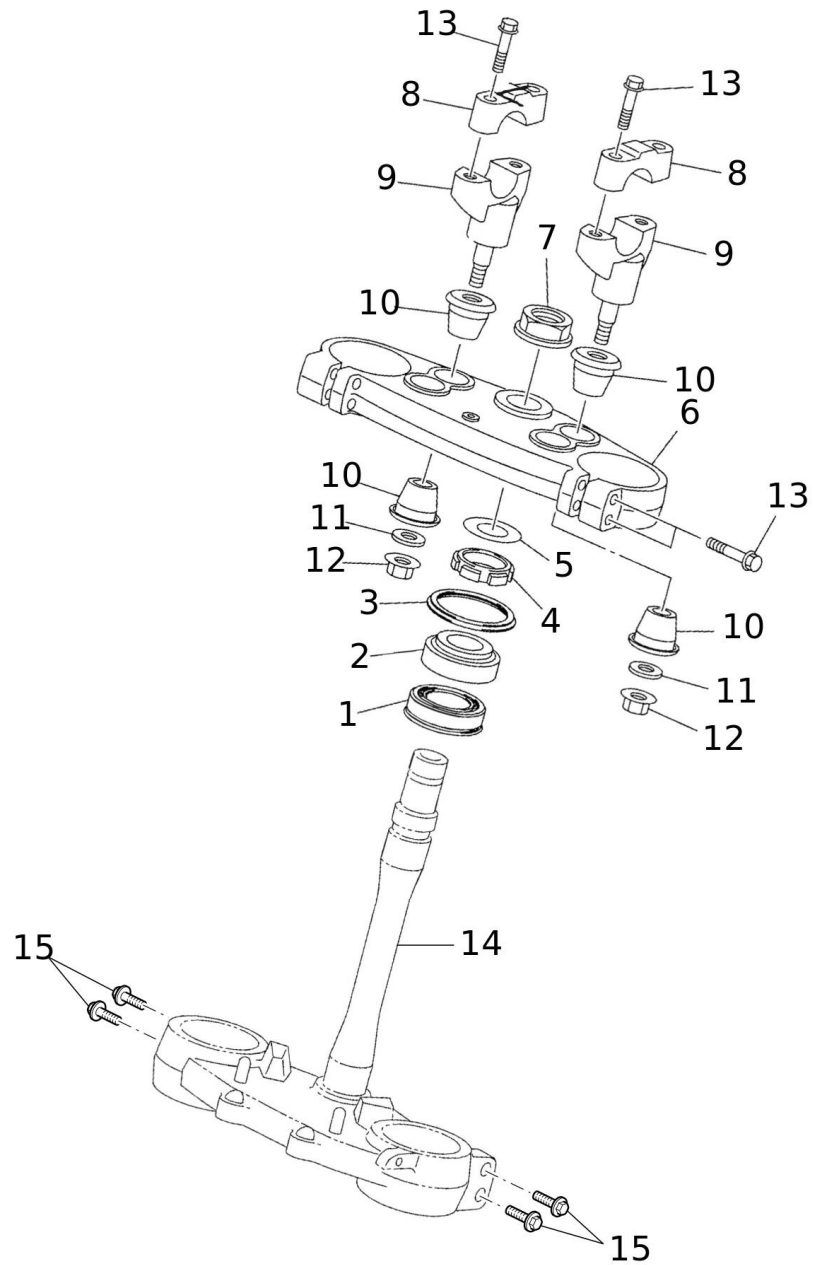
#	Code	Description	Specification	UM	Qty
41	06951005	RIVET BLIND		pz	1
42	06952005	GOMMINO TELAIO 1		pz	1
43	06953005	DAMPER LOCATING 2		pz	2
44	06954005	GOMMINO TELAIO 3		pz	2
45	07081005	PEDANA SINISTRA		pz	1
46	07082005	PEDANA DESTRA		pz	1
47	07083005	SPRING, TORSION		pz	1
48	06341005	SPRING, TORSION		pz	1
49	06342005	PIN CLEVIS		pz	2
50	06343005	WASHER PLATE		pz	2
51	06344005	PIN COTTER		pz	2
52	07084005	STAND SIDE		pz	1
53	07085005	SPRING TENSION		pz	1
54	07086005	HOSE (L70)		pz	1
55	07087005	BOLT,HEX. SOCKET BUTTON		pz	1
55	07668005	SIDE STAND RETURN PIN XE		pz	1
56	07088005	COLLAR		pz	1
57	07089005	LINK SIDE STAND		pz	1
58	08152005	KICKSTAND BAND		pz	1
59	07420005	SPRING		pz	1



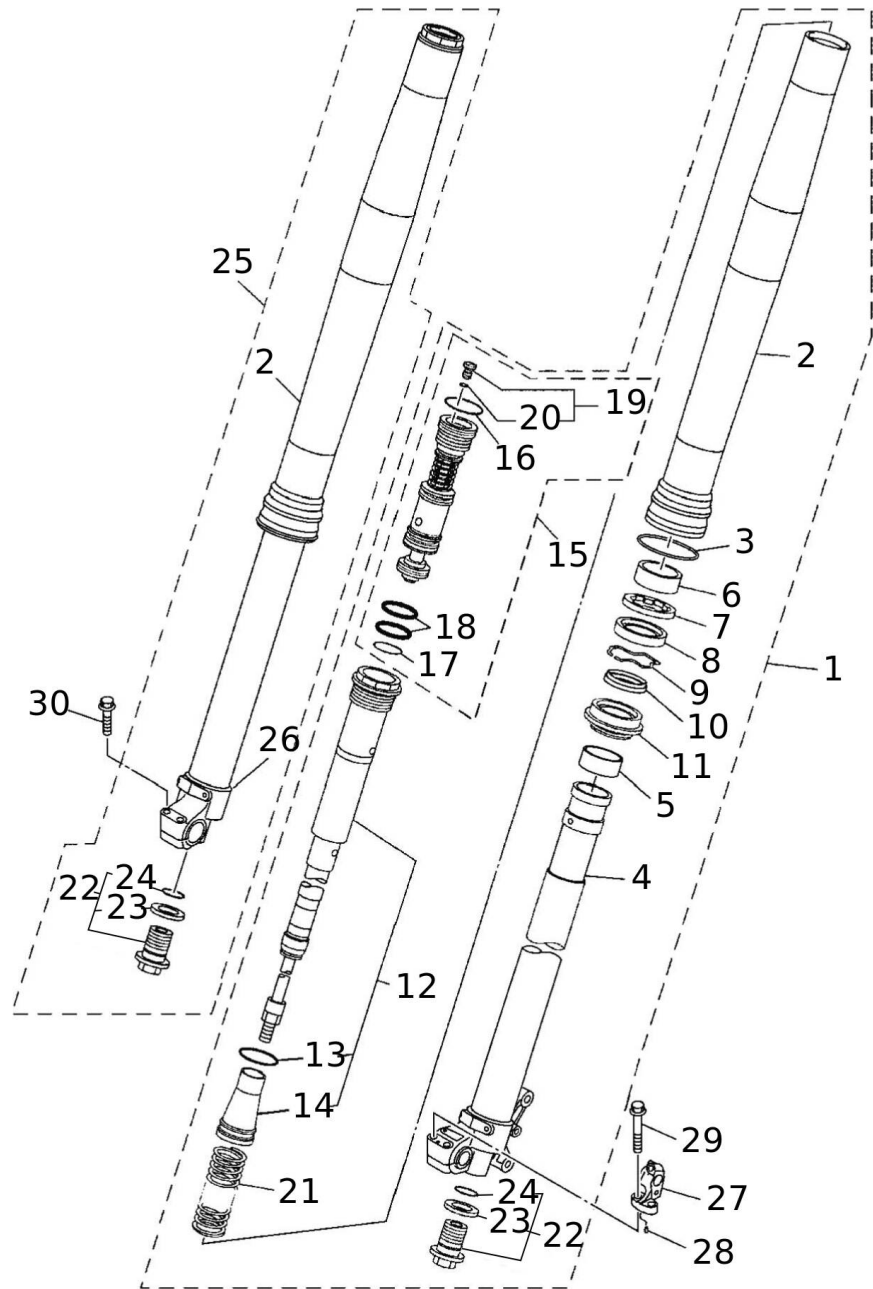
#	Code	Description	Specification	UM	Qty
1	06980005	REAR ARM COMP.		pz	1
2	06034005	BEARING		pz	4
3	06035005	BEARING		pz	2
4	06036005	OIL SEAL		pz	2
5	06037005	OIL SEAL		pz	2
6	06981005	COLLAR		pz	2
7	06984005	COLLAR		pz	2
8	06985005	SEAL GUARD		pz	1
9	06041005	SCREW		pz	3
10	06042005	SUPPORT CHAIN		pz	1
11	06043005	COVER THRUST		pz	1
12	06044005	VITE M6X50 (T.F. 20) TE FLANGIATA		pz	2
13	06625005	NUT FLANGE		pz	2
14	06617005	BOLT FLANGE DEEP RECESS		pz	1
15	06986005	SHAFT PIVOT		pz	1
16	06048005	NUT SELF-LOCKING		pz	1
17	06049005	WASHER PLATE		pz	1
18	06987005	ARM RELAY		pz	1
19	06051005	BEARING		pz	4
20	06052005	OIL SEAL		pz	4
21	06988005	COLLAR		pz	2
22	06054005	WASHER		pz	4
23	06055005	WASHER		pz	4
24	06989005	ROD CONNECTING		pz	1
25	06051005	BEARING		pz	2
26	06058005	OIL SEAL		pz	2
27	06059005	COLLAR		pz	1
28	06990005	SHAFT 1		pz	1
29	06991005	SHAFT 2		pz	2
30	06062005	WASHER		pz	3
31	06063005	NUT SELF-LOCKING		pz	3



#	Code	Description	Specification	UM	Qty
1	06992020	SHOCK ABSORBER ASSY REAR		pz	1
2	06993020	DAMPER SUB ASSY		pz	1
3	06070005	BUSH SHOCK ABSORBER		pz	1
4	06071005	CIRCLIP		pz	1
5	06994005	GUIDE SPRING 3		pz	1
6	06995005	SEAT SPRING UPPER		pz	1
7	06074005	LABEL WARNING		pz	1
8	07141005	SPRING (K=52 BLACK)		pz	1
8	07142005	SPRING (K=54 BLACK)		pz	1
8	07143005	SPRING (K=56 BLACK)		pz	1
8	07144005	SPRING (K=58 BLACK)		pz	1
8	07145005	SPRING (K=60 BLACK)		pz	1
8	07146005	SPRING (K=50 BLACK)		pz	1
8	07147005	SPRING (K=48 BLACK)		pz	1
9	06996005	GUIDE SPRING 1		pz	1
10	06997005	GUIDE SPRING 2		pz	1
11	06078005	COLLAR DISTANCE		pz	2
12	06079005	SEAL, DUST		pz	2
13	06080005	SEAL RING		pz	2
14	06081005	BEARING		pz	1
15	06082005	BEARING		pz	1
16	06083005	COLLAR DISTANCE		pz	2
17	06084005	SEAL, DUST		pz	2
18	06085005	BOLT		pz	1
19	06086005	NUT S/L FLANGE		pz	1
20	06017005	WASHER		pz	1
21	06088005	BOLT		pz	1
22	06089005	NUT SELF-LOCKING		pz	1



#	Code	Description	Specification	UM	Qty
1	06154005	BEARING		pz	1
2	06093005	BEARING		pz	1
3	06998005	COVER BALL RACE 2		pz	1
4	06999005	NUT		pz	1
5	07000005	WASHER, PLATE		pz	1
6	07001005	PIASTRA DI STERZO SUPERIORE		pz	1
7	07002005	NUT		pz	1
8	06100005	SUPPORTO SUPERIORE MANUBRIO		pz	2
9	07004005	SUPPORTO INFERIORE MANUBRIO		pz	2
10	07005005	HOLDER DAMPER		pz	4
11	07006005	WASHER PLATE		pz	2
12	06086005	NUT S/L FLANGE		pz	2
13	07007005	BOLT FLANGE DEEP RECESS		pz	8
14	07018005	UNDER BRACKET COMP.		pz	1
15	07007005	BOLT FLANGE DEEP RECESS		pz	4



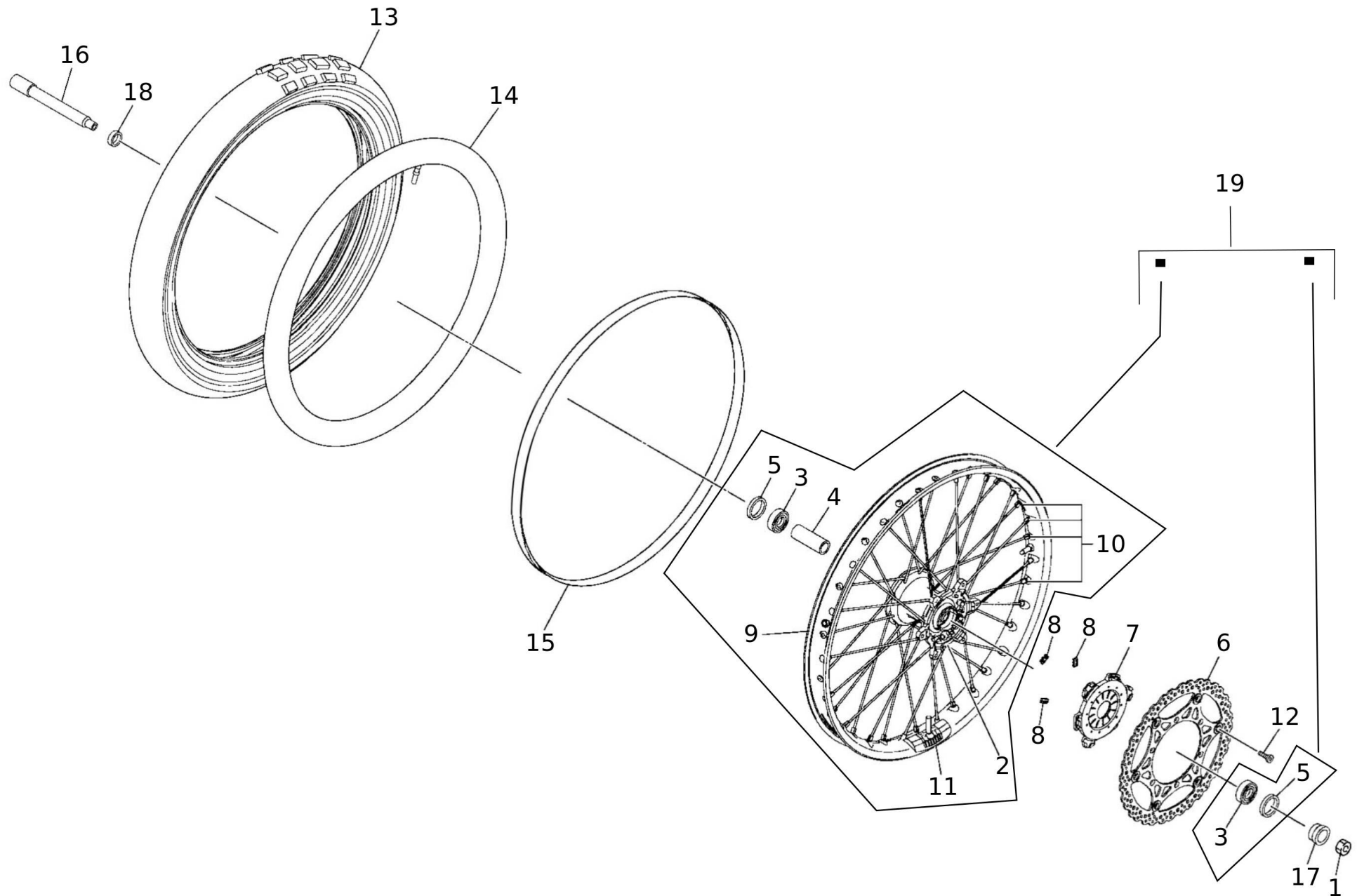
#	Code	Description	Specification	UM	Qty
1	07008020	FRONT FORK ASSY (L.H)		pz	1
2	07009005	.TUBE, OUTER		pz	2
3	06107005	CIRCLIP		pz	2
4	07010005	.INNERTUBECOMP. 2		pz	1
5	06109005	SPACER FRONT FORK		pz	2
6	06110005	METAL SLIDE 1		pz	2
7	06111005	WASHER, OIL SEAL		pz	2
8	07011005	OIL SEAL		pz	2
9	06113005	RING SNAP		pz	2
10	07012005	SCRAPER		pz	2
11	06114005	SEAL DUST		pz	2
12	07158020	CYLINDER COMP., FRONT FORK		pz	2
13	06116005	O-RING		pz	2
14	07013005	SEAT SPRING UPPER		pz	2
15	07014020	VALVE COMP.		pz	2
16	06119005	O-RING		pz	2
17	06121005	O-RING		pz	2
18	06122005	O-RING		pz	4
19	06123005	AIR VALVE COMP.		pz	2
20	06124005	O-RING		pz	2
21	07015005	SPRING FRONT FORK (K=4.6)	STANDARD	pz	2
21	07148005	SPRING FRONT FORK (K=4.5)		pz	2
21	07149005	SPRING FRONT FORK (K=4.7)		pz	2
21	07150005	SPRING FRONT FORK (K=4.8)		pz	2
21	07151005	SPRING FRONT FORK (K=4.9)		pz	2
21	07152005	SPRING FRONT FORK (K=5.0)		pz	2
21	07153005	SPRING FRONT FORK (K=5.1)		pz	2
21	07154005	SPRING FRONT FORK (K=4.1)		pz	2
21	07155005	SPRING FRONT FORK (K=4.2)		pz	2
21	07156005	SPRING FRONT FORK (K=4.3)		pz	2
21	07157005	SPRING FRONT FORK (K=4.4)		pz	2
22	06126005	VITE DI REGOLAZIONE		pz	2
23	06127005	GASKET		pz	2
24	06128005	GASKET		pz	2
25	07016020	FRONT FORK ASSY (R.H)		pz	1
26	07017005	.INNER TUBE COMP.1		pz	1
27	07020005	BRACKET 1		pz	1
28	07021005	PIN DOWEL		pz	2
29	07022005	BOLT FLANGE DEEP RECESS		pz	2
30	07007005	BOLT FLANGE DEEP RECESS		pz	2

#	Code	Description	Specification	UM	Qty
---	------	-------------	---------------	----	-----

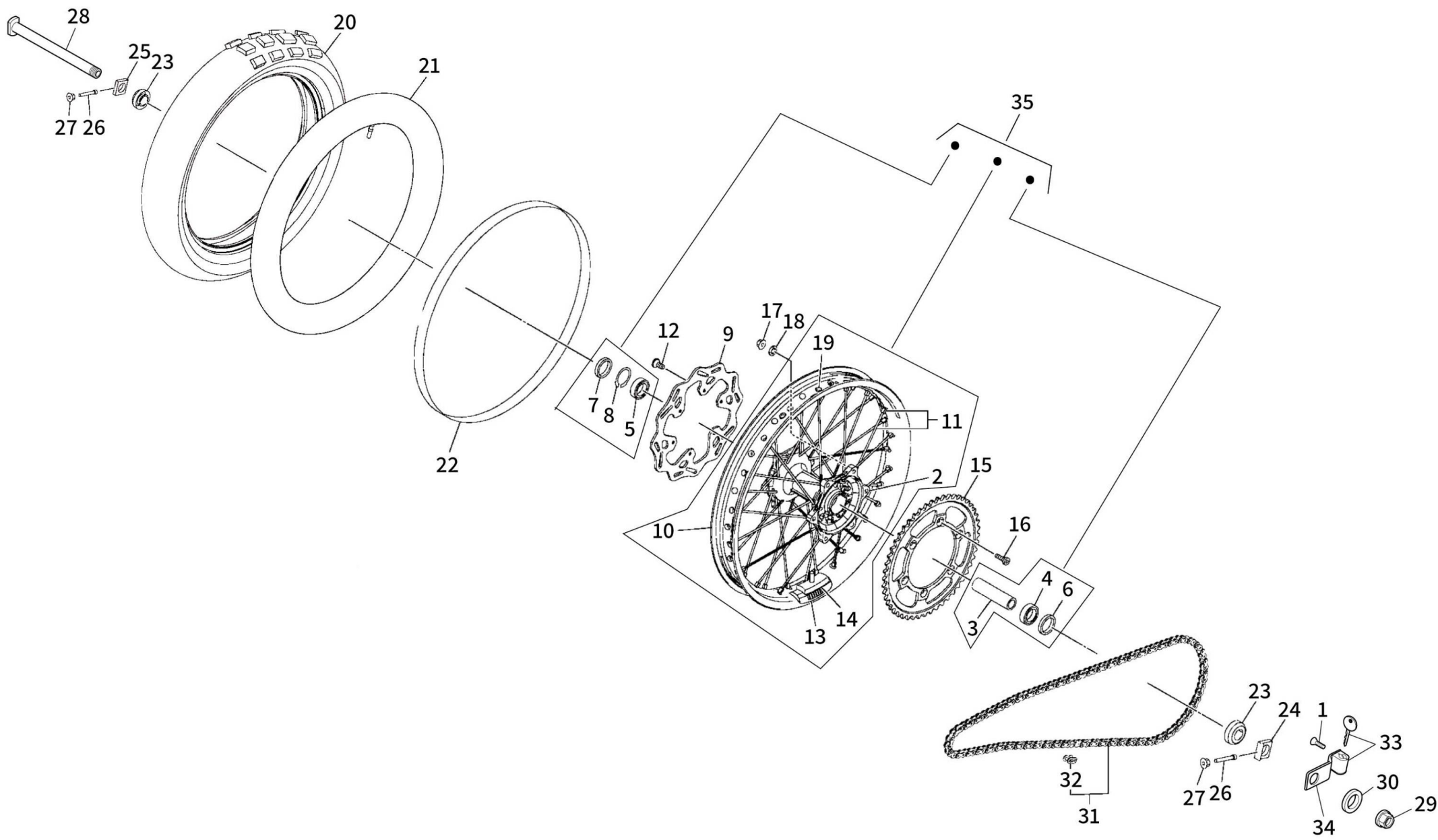


5 - Front fork (XEF 250 MY21)

5_XEF_250_MY21
17/83

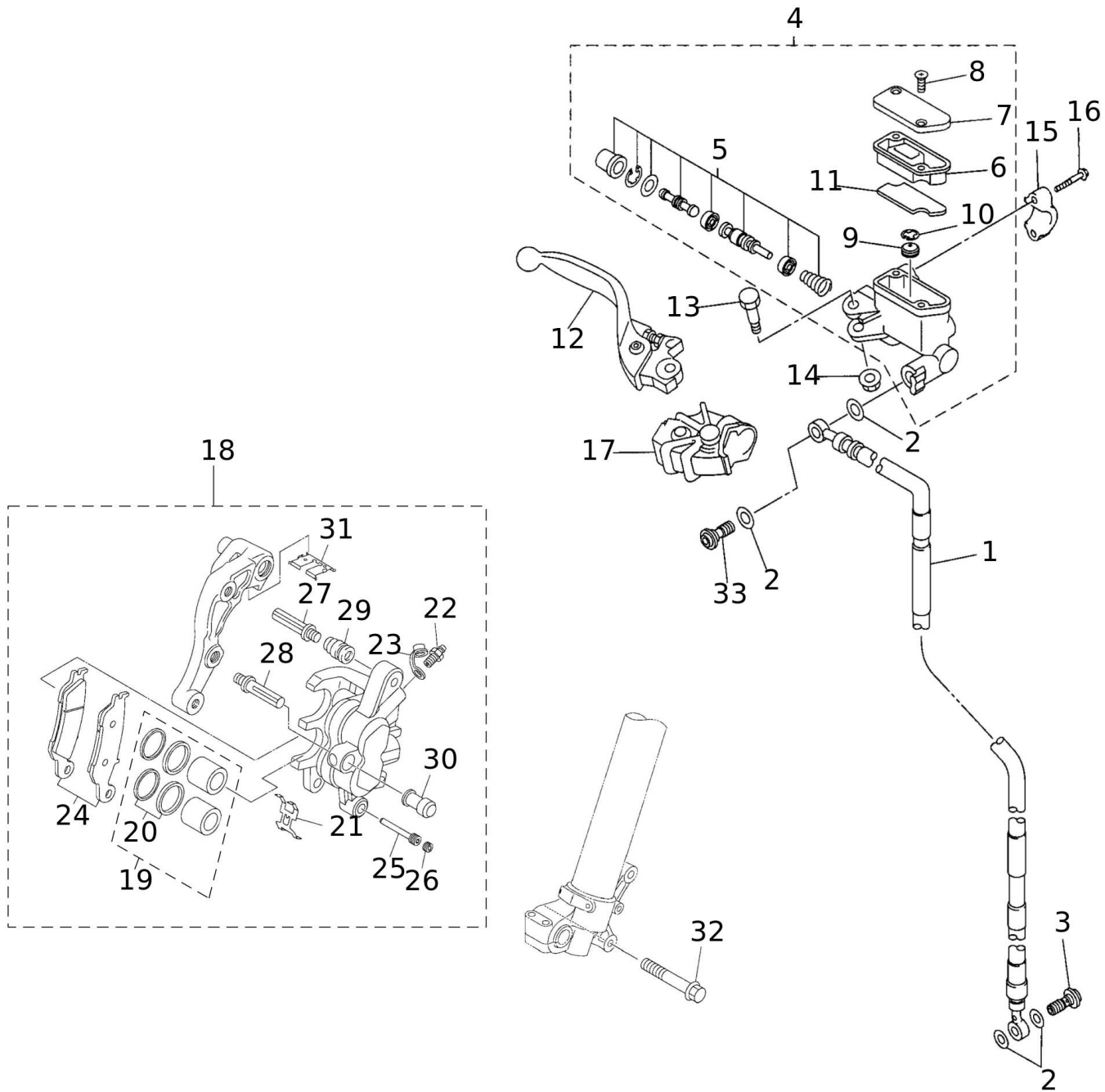


#	Code	Description	Specification	UM	Qty
1	07057005	NUT		pz	1
2	08154005	HUB FRONT		pz	1
3	07048005	BEARING		pz	2
4	07049005	SPACER BEARING		pz	1
5	07050005	OIL SEAL		pz	2
6	06211005	GRUPPO DISCO FRENO		pz	1
7	07058005	ROTOR SENSOR		pz	1
8	07059005	GROMMET		pz	3
9	08131005	RIM (1.60-21)		pz	1
10	06201005	SPOKE SET FRONT		pz	1
11	06205005	SPACER BEAD		pz	1
12	06212005	SCREW COUNTERSUNK		pz	6
13	08441005	TIRE		pz	1
14	00234005	INNER TUBE-FRONT 21" CASA		pz	1
15	07531005	FLAP R21 1430 X 22		pz	1
16	07051005	PERNO RUOTA ANTERIORE		pz	1
17	07052005	COLLAR WHEEL		pz	1
18	07053005	COLLAR WHEEL		pz	1
19	09367020	CERCHIO RAGGIATO ANT XEF 250 MY22		pz	1

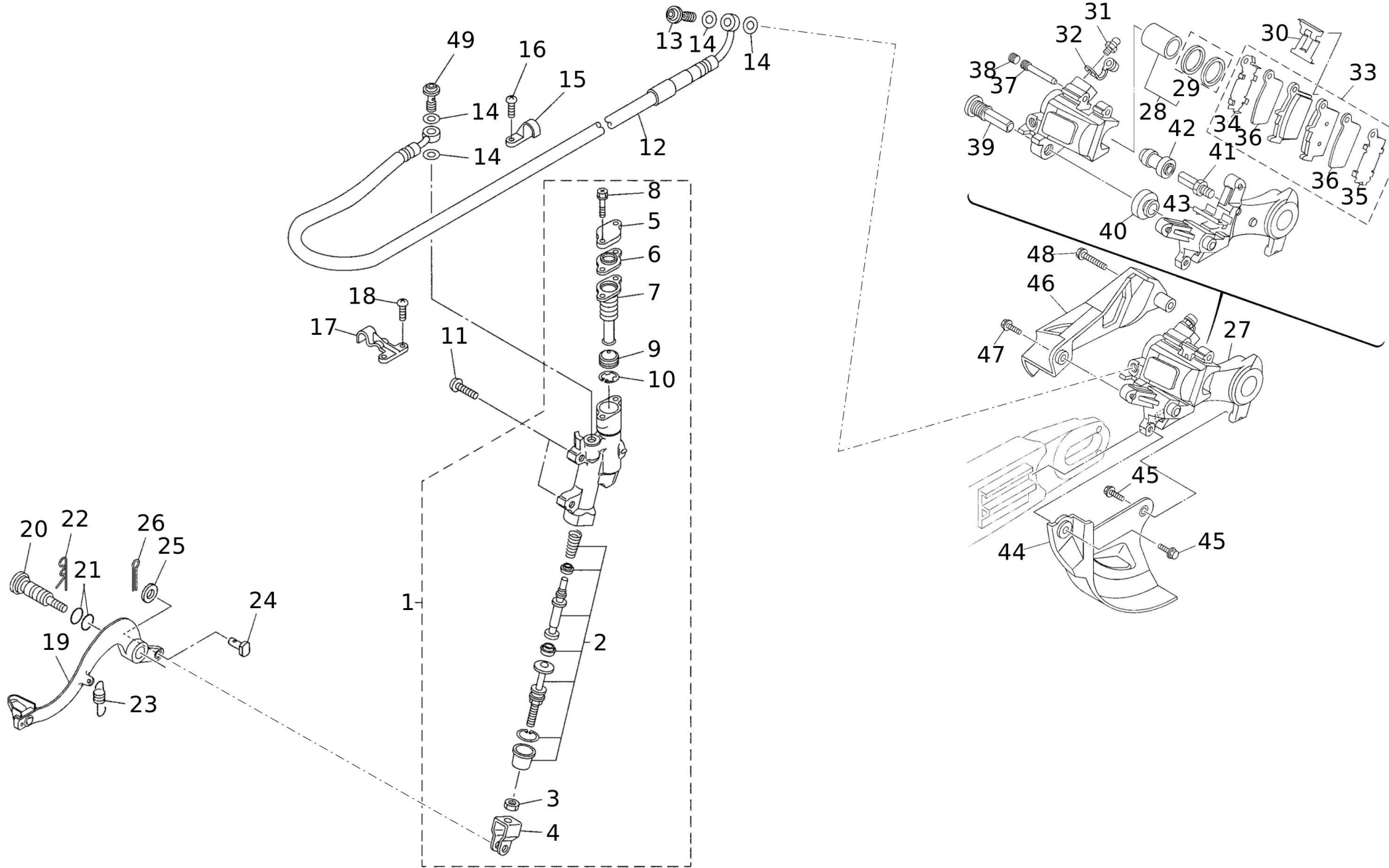


7 - Rear Wheel (XEF 250 MY21)

#	Code	Description	Specification	UM	Qty
1	07444005	M6X12 SCREW COUNTERSUNK		pz	1
2	06228005	MOZZO POSTERIORE		pz	1
3	06229005	SPACER, BEARING		pz	1
4	06230005	BEARING		pz	1
5	06231005	BEARING		pz	1
6	06232005	OIL SEAL		pz	1
7	06233005	OIL SEAL		pz	1
8	06234005	CIRCLIP		pz	1
9	06270005	DISCO FRENO POSTERIORE 2		pz	1
10	08132005	RIM (2.15-18)		pz	1
11	06263005	SPOKE SET REAR		pz	1
12	06212005	SCREW COUNTERSUNK		pz	6
13	06267005	SPACER BEAD		pz	1
14	06241005	DAMPER SUB ASSY		pz	1
15	07060005	SPROCKET DRIVEN (51T)		pz	1
15	07061005	SPROCKET DRIVEN (48T)		pz	1
15	07062005	SPROCKET DRIVEN (50T)		pz	1
15	07063005	SPROCKET DRIVEN (52T)		pz	1
15	08128005	SPOCKET		pz	1
16	06248005	BOLT		pz	6
17	06249005	NUT SELF-LOCKING		pz	6
18	06014005	WASHER PLATE		pz	6
19	06251005	GROMMET		pz	1
20	08443005	TIRE		pz	1
21	08454005	INNER TUBE		pz	1
22	07530005	FLAP R18 1290 X 27		pz	1
23	07064005	COLLARINO		pz	2
24	06253005	PULLER, CHAIN 1		pz	1
25	06254005	PULLER CHAIN 2		pz	1
26	06255005	BOLT		pz	2
27	05627005	NUT		pz	2
28	06257005	PERNO RUOTA POSTERIORE		pz	1
29	06258005	NUT SELF-LOCKING		pz	1
30	06259005	WASHER PLATE		pz	1
31	06268005	CHAIN 520 114 LINKS WITH MASTER JOINT		pz	1
32	06269005	JOINT CHAIN(DID520MXV5 ZJ)		pz	1
33	07386005	REAR SPROCKET LOCK XE/XEF		pz	1
34	07393005	REAR SPROCKET LOCK SUPPORTING BRACKET		pz	1
35	09061020	RR. RIM XE 125 ASSY		pz	1

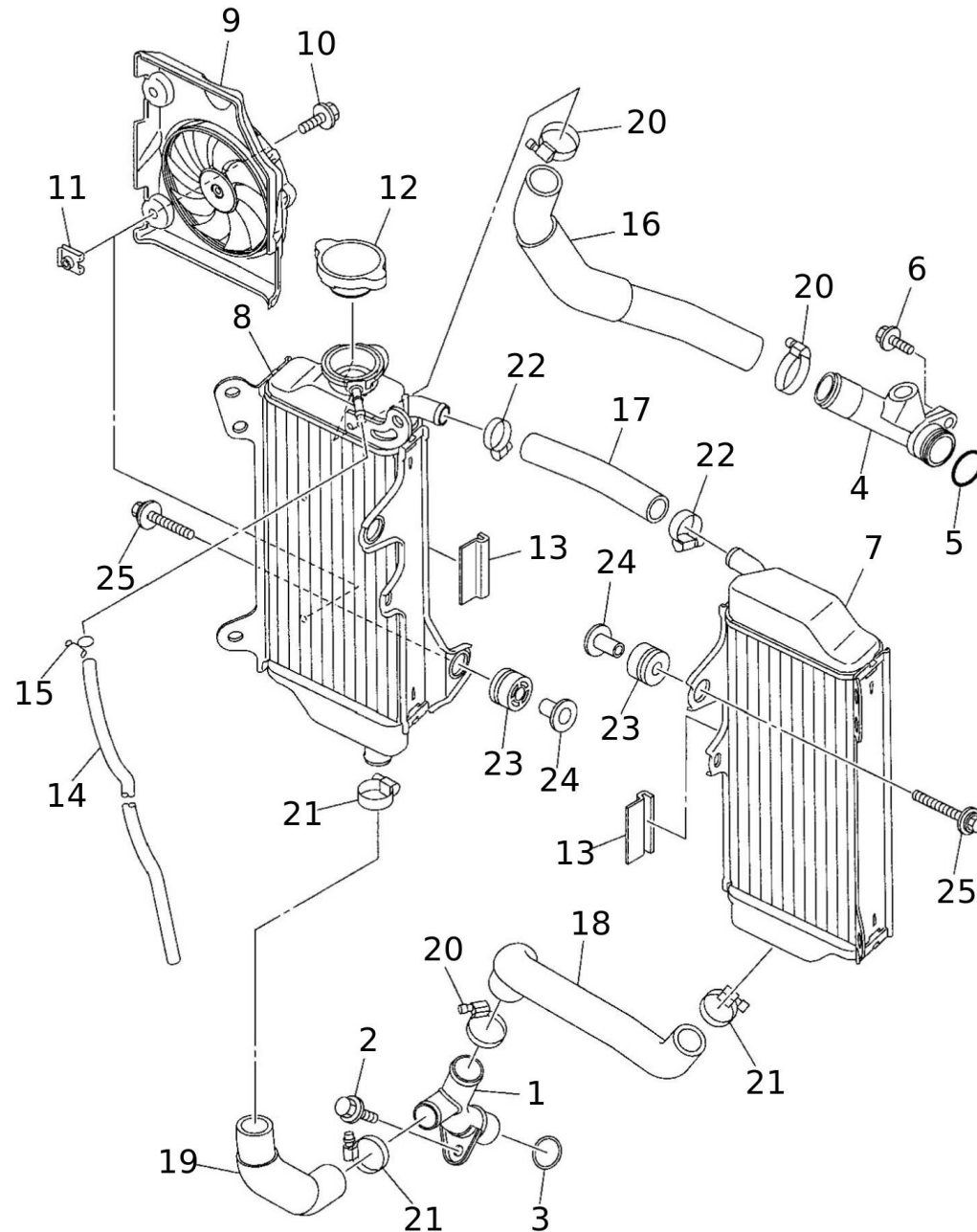


#	Code	Description	Specification	UM	Qty
1	07077005	TUBO FRENO 1		pz	1
2	00270005	FLAT COPPER WASHER		pz	4
3	06314005	BOLT UNION		pz	1
4	06315005	MASTER CYLINDER SUB ASSY		pz	1
5	06316005	CYLINDER KIT MASTER		pz	1
6	06317005	DIAFRAMMA SERBATOIO		pz	1
7	06318005	CAP RESERVOIR		pz	1
8	06329005	SCREW FLAT HEAD		pz	2
9	06320005	SEPARATOR ASSY		pz	1
10	06321005	CIRCLIP		pz	1
11	06322005	FLOAT RESERVOIR		pz	1
12	06323005	LEVER 2		pz	1
13	06324005	BOLT LEVER		pz	1
14	06325005	NUT WITH WASHER		pz	1
15	06326005	BRACKET MASTER CYLINDER		pz	1
16	06327005	BOLT FITTING		pz	2
17	06328005	COVER HANDLE LEVER 1		pz	1
18	06213005	CALIPER ASSY (LEFT)		pz	1
19	06214005	PISTON ASSY CALIPER		pz	1
20	06215005	CALIPER SEAL KIT		pz	1
21	06216005	SUPPORT PAD		pz	1
22	06217005	SCREW BLEED		pz	1
23	06218005	CAP		pz	1
24	06219005	BRAKE PAD KIT		pz	1
25	06220005	PIN PAD		pz	1
26	06221005	PLUG		pz	1
27	06222005	SCREW, PAN HEAD		pz	1
28	06223005	PIN		pz	1
29	06224005	BOOT CALIPER		pz	1
30	06225005	BOOT 2		pz	1
31	06226005	SUPPORT PAD		pz	1
32	06227005	BOLT FLANGE		pz	2
33	03259005	STOP SWITCH		pz	1

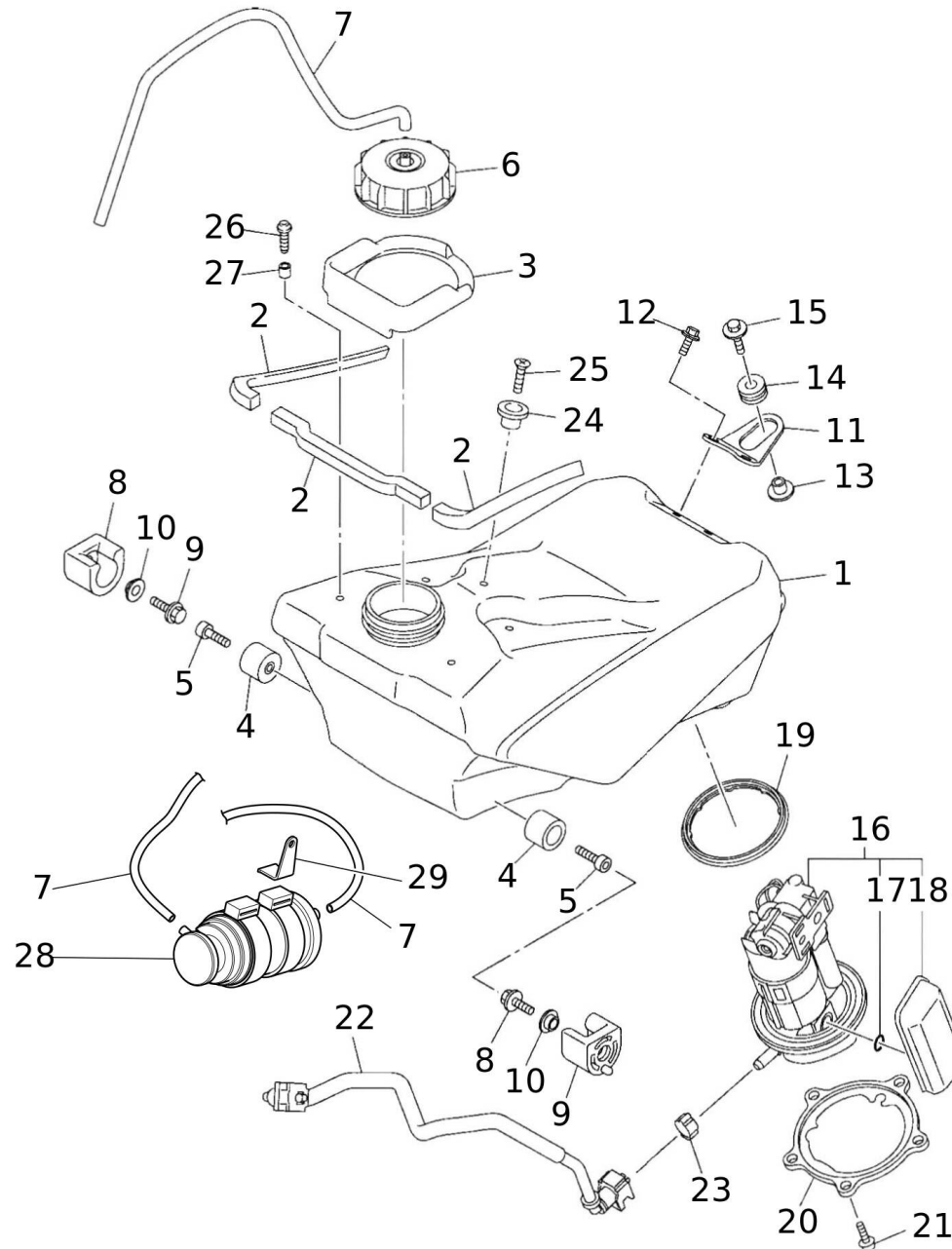


#	Code	Description	Specification	UM	Qty
1	07090020	RR. MASTER CYLINDER ASSY.		pz	1
2	06355005	CYLINDER KIT MASTER		pz	1
3	06356005	NUT		pz	1
4	06357005	JOINT		pz	1
5	06358005	CAP RESERVOIR		pz	1
6	06359005	PLATE DIAPHRAGM		pz	1
7	06360005	DIAFRAMMA SERBATOIO		pz	1
8	06361005	BOLT		pz	2
9	06320005	SEPARATOR ASSY		pz	1
10	06321005	CIRCLIP		pz	1
11	07091005	BOLT,HEX. SOCKET BUTTON		pz	2
12	06365005	TUBO FRENO 2		pz	1
13	06314005	BOLT UNION		pz	1
14	00270005	FLAT COPPER WASHER		pz	4
15	06368005	HOLDER BRAKE HOSE		pz	1
16	06369005	SCREW PAN HEAD		pz	2
17	06370005	HOLDER BRAKE HOSE 2		pz	1
18	06369005	SCREW PAN HEAD		pz	2
19	07078005	PEDAL BRAKE		pz	1
20	07079005	BOLT		pz	1
21	06332005	O-RING		pz	2
22	06333005	CIRCLIP		pz	1
23	07080005	SPRING, TENSION		pz	1
24	06335005	PIN CLEVIS		pz	1
25	06336005	WASHER PLATE		pz	1
26	06337005	PIN COTTER		pz	1
27	07065020	CALIPER ASSY, REAR 2		pz	1
28	06273005	PISTON ASSY CALIPER		pz	1
29	06274005	CALIPER SEAL KIT		pz	1
30	06275005	SUPPORT PAD		pz	1
31	06217005	SCREW BLEED		pz	1
32	06218005	CAP		pz	1
33	07066020	BRAKE PAD KIT 2		pz	1
34	06278005	SHIM CALIPER		pz	1
35	06279005	SHIM CALIPER		pz	1
36	06280005	INSULATOR HEAT		pz	2
37	06281005	PIN PAD		pz	1
38	06221005	PLUG		pz	1
39	06283005	PIN		pz	1
40	06224005	BOOT CALIPER		pz	1

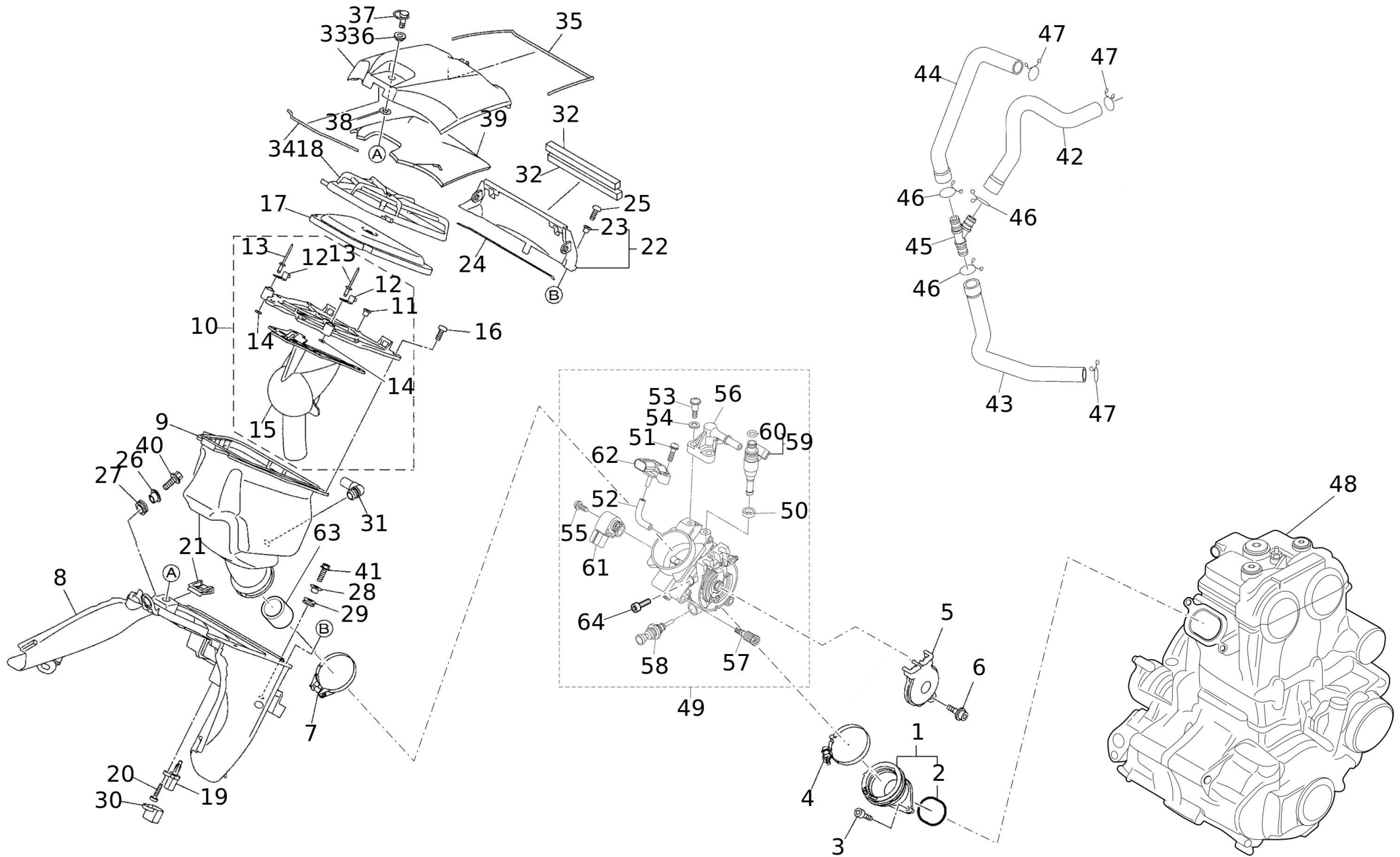
#	Code	Description	Specification	UM	Qty
41	06285005	PIN		pz	1
42	06225005	BOOT 2		pz	1
43	06287005	HOLDER		pz	1
44	06288005	PROTECTOR DISK BRAKE		pz	1
45	06722005	BOLT FLANGE DEEP RECESS		pz	2
46	06290005	PROTEZIONE PINZA		pz	1
47	06722005	BOLT FLANGE DEEP RECESS		pz	1
48	08542005	BOLT FLANGE DEEP RECESS		pz	1
49	02112005	STOP SWITHC (BRAKING)		pz	1



#	Code	Description	Specification	UM	Qty
1	06721005	RACCORDO 2		pz	1
2	06722005	BOLT FLANGE DEEP RECESS		pz	1
3	06723005	O-RING		pz	1
4	06724005	JOINT		pz	1
5	06725005	O-RING		pz	1
6	06726005	BOLT FLANGE DEEP RECESS		pz	1
7	06727005	RADIATORE SX		pz	1
8	06728005	RADIATORE DX		pz	1
9	06729005	BLOWER ASSY		pz	1
10	06730005	BOLT		pz	3
11	06731005	NUT 1		pz	3
12	06732005	CAP RADIATOR		pz	1
13	06733005	DAMPER RADIATOR		pz	2
14	05713005	TUBO FLESSIBILE VINILE		pz	1
15	05714005	CLIP		pz	1
16	06734005	HOSE 1		pz	1
17	06735005	TUBO 2		pz	1
18	06736005	HOSE 3		pz	1
19	06737005	TUBO 4		pz	1
20	05722005	HOSE CLAMP ASSY		pz	3
21	05724005	HOSE CLAMP ASSY		pz	3
22	05723005	HOSE CLAMP ASSY		pz	2
23	06738005	GROMMET		pz	4
24	05726005	COLLAR		pz	4
25	06739005	BOLT WITH WASHER		pz	4

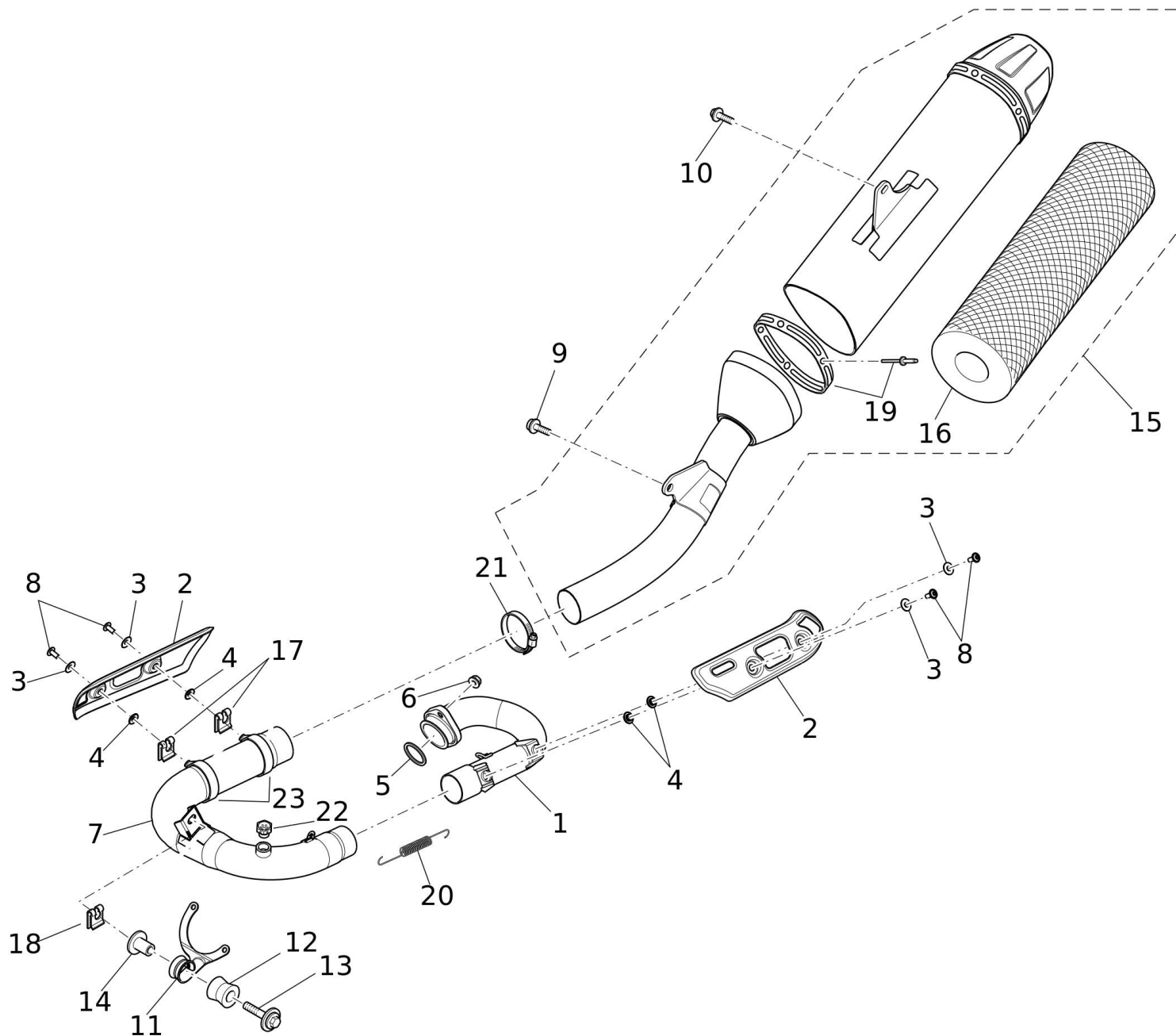


#	Code	Description	Specification	UM	Qty
1	07023005	FUEL TANK COMP.		pz	1
2	06778005	DAMPER PLATE 6		pz	3
3	07024005	MOLD, FUEL TANK		pz	1
4	07025005	BOSS		pz	2
5	07026005	BOLT HEXAGON SOCKET HEAD		pz	2
6	07027005	CAP ASSY		pz	1
7	04082005	PIPE ROLLER BLACK		cm	3
8	07029005	BRACKET FUEL TANK 1		pz	2
9	06726005	BOLT FLANGE DEEP RECESS		pz	2
10	07030005	COLLAR		pz	2
11	07031005	HOLDER		pz	1
12	06722005	BOLT FLANGE DEEP RECESS		pz	2
13	07032005	COLLAR		pz	1
14	07033005	GROMMET		pz	1
15	07034005	BOLT WITH WASHER		pz	1
16	07035020	FUEL PUMP COMP.		pz	1
17	07036005	GASKET		pz	1
18	07037005	FILTER		pz	1
19	07038005	GASKET		pz	1
20	07039005	FLANGIA POMPA BENZINA		pz	1
21	07040005	BOLT HEXAGON SOCKET HEAD		pz	5
22	07041005	PIPE, FUEL 1		pz	1
23	07042005	CLAMP 1		pz	1
24	06186005	BRACKET SEAT		pz	1
25	07043005	SCREW COUNTERSUNK		pz	1
26	07044005	BOLT,HEX. SOCKET BUTTON		pz	2
27	07045005	COLLAR		pz	2
28	NC450-0151	CANISTER NC450		pz	1
29	08118005	HOLDER		pz	1

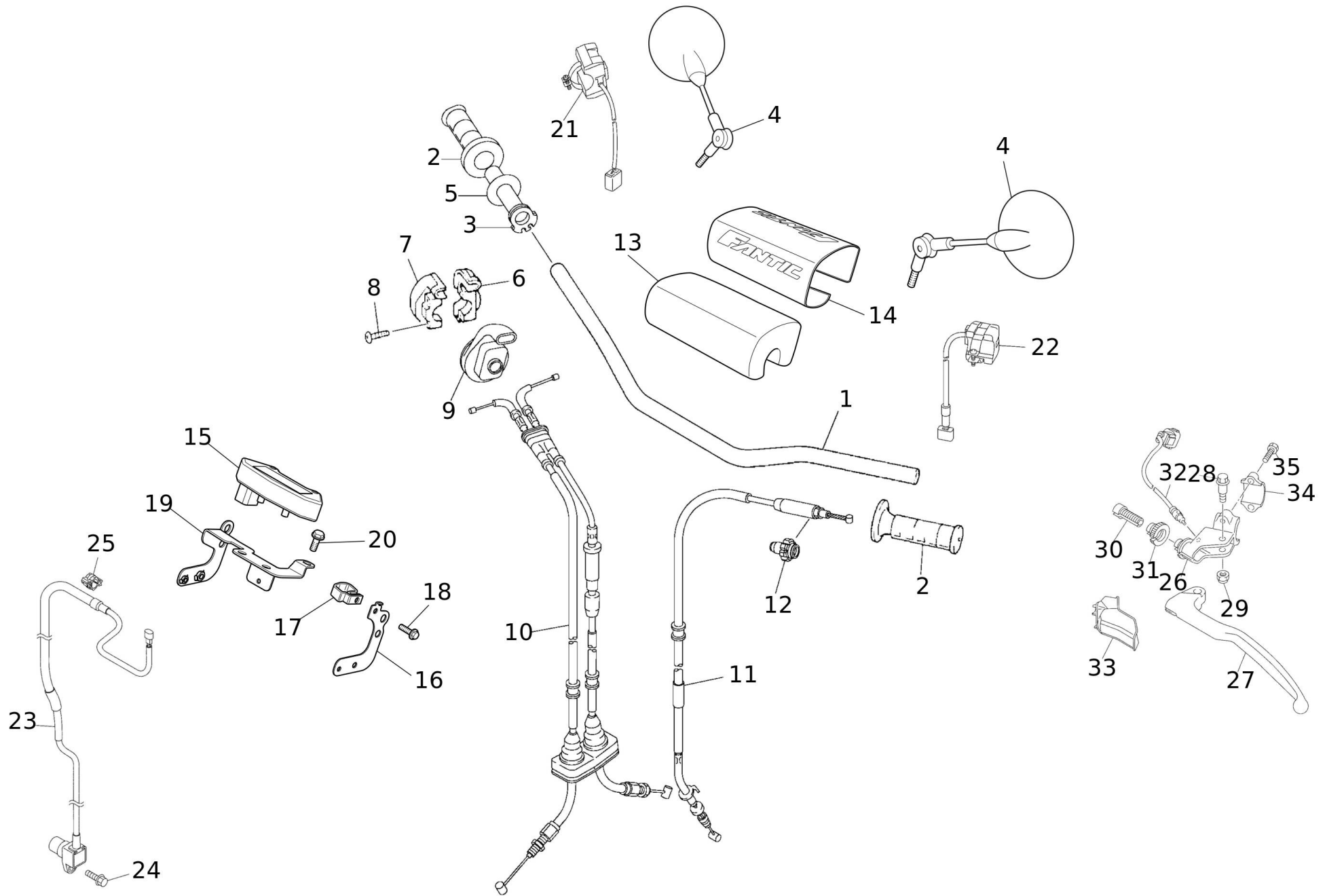


#	Code	Description	Specification	UM	Qty
1	06750020	INLET PIPE		pz	1
2	06751005	GASKET		pz	1
3	06752005	VITE 6X20 TCEI5 FLANGIA 10		pz	2
4	06753005	HOSE CLAMP ASSY		pz	1
5	06754005	COVER 1		pz	1
6	06755005	BOLT HEXAGON SOCKET HEAD		pz	1
7	06756005	HOSE CLAMP ASSY		pz	1
8	06757005	CASE, AIR CLEANER 1		pz	1
9	06758005	JOINT AIR CLEANER 1		pz	1
10	06759020	HOLDER GUIDE		pz	1
11	06760005	COLLAR		pz	7
12	06761005	HINGE		pz	2
13	06762005	RIVET BLIND (3.2X13.5 BLACK)		pz	2
14	06763005	WASHER, PLATE		pz	2
15	06764005	CHAMBER AIR		pz	1
16	05815005	SCREW PAN HEAD		pz	7
17	06765005	ELEMENT AIR CLEANER		pz	1
18	06766005	GUIDE		pz	1
19	06767005	SENSOR, AIR TEMPERATURE		pz	1
20	06768005	VITE PER PLASTICA 5X19 INTAGLIO A CROCE		pz	1
21	06769005	PLATE, SPRING		pz	1
22	06770020	CAP CLEANER CASE 2		pz	1
23	06760005	COLLAR		pz	2
24	06771005	GASKET		pz	1
25	05815005	SCREW PAN HEAD		pz	2
26	06772005	COLLAR		pz	1
27	06773005	GROMMET		pz	1
28	06774005	COLLAR		pz	2
29	06775005	GROMMET		pz	2
30	06776005	HOLDER		pz	1
31	06777005	RACCORDO		pz	1
32	06778005	DAMPER PLATE 6		pz	2
33	08199005	CAP CLEANER CASE 1		pz	1
34	06779005	GASKET		pz	1
35	06780005	GASKET		pz	1
36	06781005	COLLAR		pz	1
37	06782005	VITE SGANCIO RAPIDO		pz	1
38	06783005	WASHER SPECIAL 1		pz	1
39	06784005	DAMPER 1		pz	1
40	08367005	BOLT FLANGE		pz	1

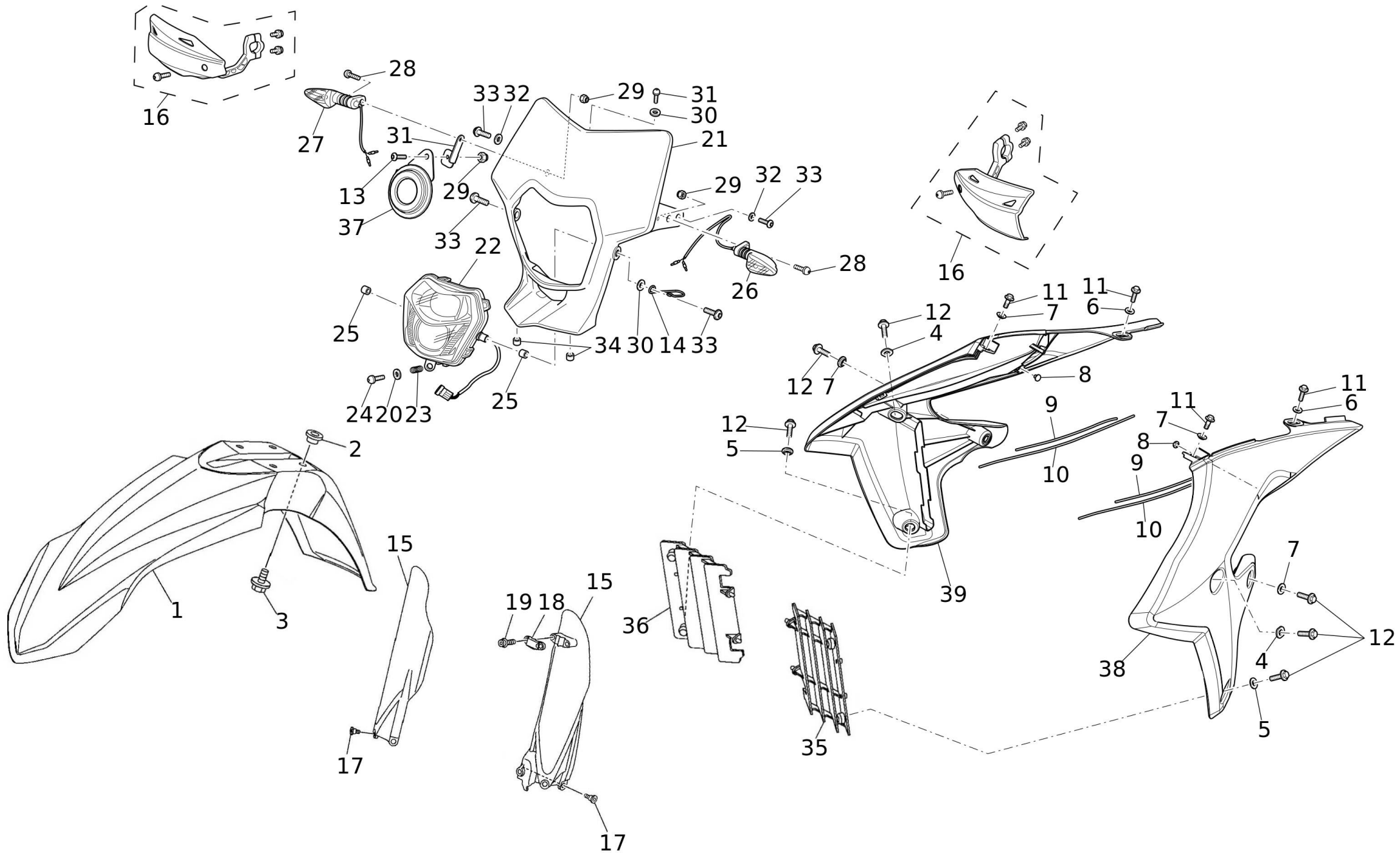
#	Code	Description	Specification	UM	Qty
41	06785005	BOLT FLANGE DEEP RECESS		pz	2
42	06800005	PIPE, BREATHER 1		pz	1
43	06801005	PIPE BREATHER 2		pz	1
44	06802005	PIPE BREATHER 3		pz	1
45	06803005	WAY 3		pz	1
46	06804005	CLIP		pz	3
47	06805005	CLIP		pz	3
48	07427005	MOTORE XEF 250		pz	1
49	06786020	THROTTLE BODY ASSY		pz	1
50	06787005	GOMMINO INIETTORE		pz	1
51	06788005	VITE 5X15 CROCE FLANGIA CON RONDELLA		pz	1
52	06789005	RACCORDO		pz	1
53	06790005	VITE COLLARINO 5X20 (TF10)		pz	2
54	06791005	GASKET		pz	2
55	06792005	VITE 5X11 T25 FLANGIA 9 CON RONDELLA		pz	1
56	06793005	DELIVERY PIPE ASSY 1		pz	1
57	06794005	VITE DI REGOLAZIONE		pz	1
58	06795005	STARTER		pz	1
59	06796020	INJECTOR		pz	1
60	06797005	O-RING		pz	1
61	06798005	SENSORE ACCELERATORE		pz	1
62	06799005	SENSORE PRESSIONE		pz	1
63	07415005	INTAKE FITTING XEF		pz	1
64	04859005	SCREW		pz	1



#	Code	Description	Specification	UM	Qty
1	07416005	GATHERER	XEF	pz	1
2	07366005	BUCKLER		pz	2
3	05191005	SPRING		pz	4
4	00340005	WASHER-SPACE		pz	4
5	06807005	SEAL EXHAUST		pz	1
6	06808005	NUT FLANGE		pz	2
7	07417005	GATHERER	XEF	pz	1
8	00334005	VITE 5X12 TBB UNI 7380 FLANGIATA		pz	4
9	07483005	BOLT WITH WASHER		pz	1
10	08223005	BOLT WITH WASHER		pz	1
11	06813005	STAY EXHAUST PIPE 1		pz	1
12	06814005	DAMPER MUFFLER		pz	1
13	06815005	BOLT WITH WASHER		pz	1
14	06816005	COLLAR		pz	1
15	07362005	SILENCER		pz	1
16	08164005	SOUND ABSORBENT	XEF	pz	1
17	08487005	LOW FOLDED CAGE		pz	1
18	08743005	CLIP M8 SCARICO 4T		pz	1
19	09424020	KIT FASCETTE+RIVETTI SILENZIATORE XEF	XEF	pz	1
20	08488005	SPRING		pz	1
21	08742005	FASCETTA STRINGI TUBO Ø47/51mm	XEF	pz	1
22	07361005	CAP	Accessory XEF Accessory	pz	1
23	08484005	CLAMP		pz	2



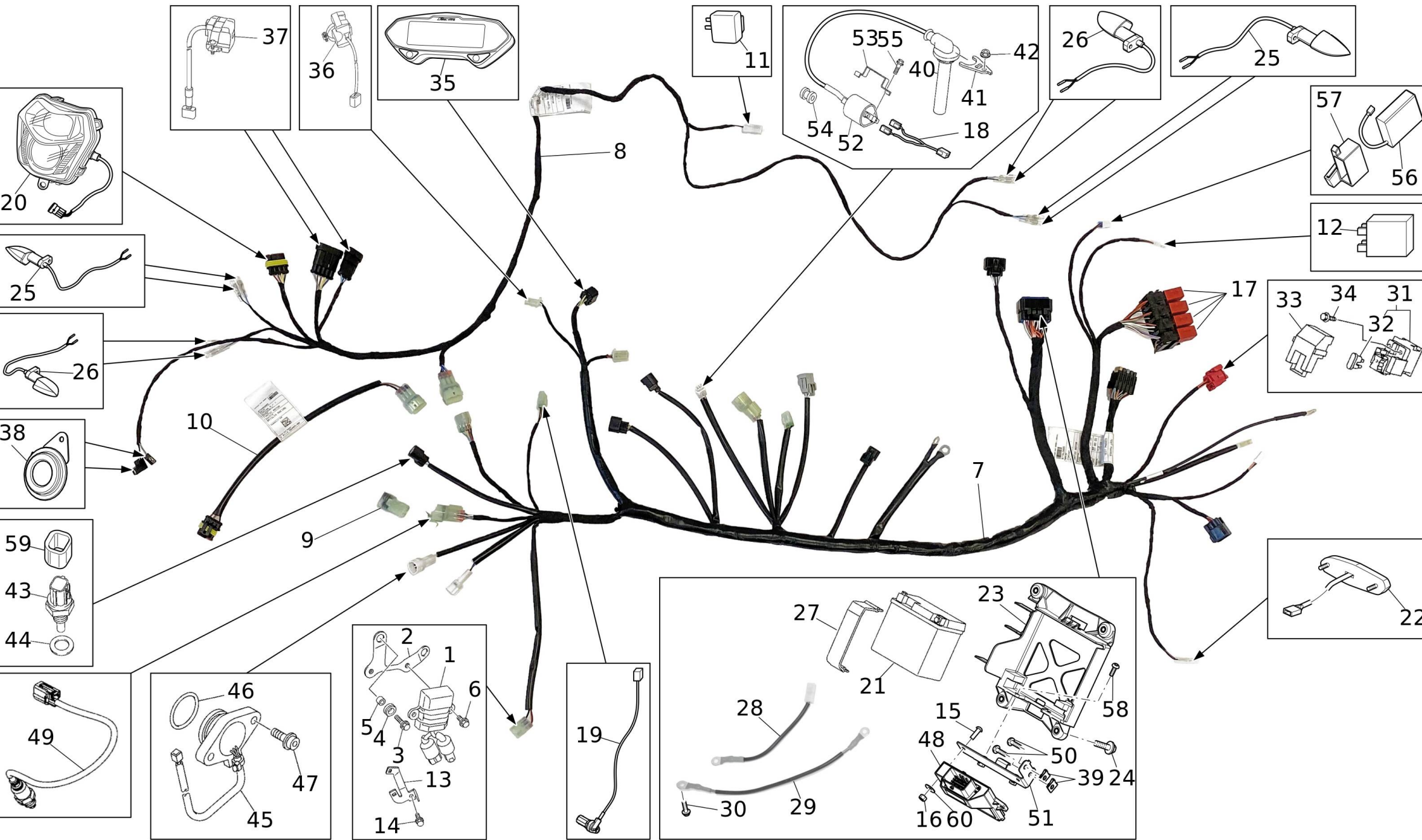
#	Code	Description	Specification	UM	Qty
1	07067005	HANDLEBAR		pz	1
2	07437005	OFF-ROAD KNOB PAIR		pz	1
3	08559020	CONTROL SET		pz	1
4	07407005	REAR-VIEW MIRROR E-141 WITH IRON CLAMP		pz	2
5	07069005	RING LEAF		pz	1
6	07070005	CAP GRIP UPPER		pz	1
7	07071005	CAP GRIP UNDER		pz	1
8	07072005	SCREW PAN HEAD		pz	2
9	07073005	COVER CAP GRIP		pz	1
10	07074005	THROTTLE CABLE ASSY		pz	1
11	07075005	WIRE, CLUTCH		pz	1
12	07076005	BOOT CABLE		pz	1
13	08318005	PROTECTOR HANDLEBAR		pz	1
14	07403005	BAR PAD COVER XX/XE		pz	1
15	07731005	ODOMETER		pz	1
16	07422005	SUPPORT	XEF	pz	1
17	07379005	CLAMP	XEF	pz	1
18	07380005	BOLT, WITH WASHER	XEF	pz	1
19	07365005	SUPPORT	XEF	pz	1
20	05758005	BOLT FLANGE		pz	1
21	07424005	LIGHT SWITCH COMMAND		pz	1
22	07729005	MY21 CAB LIGHTS DEVICE		pz	1
23	07372005	SENSOR SPEED		pz	1
24	05836005	BOLT FLANGE		pz	1
25	07373005	FASCETTA		pz	3
26	07109005	HOLDER LEVER 1		pz	1
27	07110005	LEVER 1		pz	1
28	06379005	BOLT		pz	1
29	06380005	NUT LENS FITTING		pz	1
30	07111005	BOLT ADJUSTING		pz	1
31	07112005	BOLT CABLE ADJUSTING		pz	1
32	07113005	SWITCH		pz	1
33	07114005	COVER HANDLE LEVER 1		pz	1
34	07115005	HOLDER LEVER LOWER 1		pz	1
35	05646005	BOLT		pz	2



#	Code	Description	Specification	UM	Qty
1	08335005	FRONT FENDER OFF-ROAD WHITE		pz	1
2	06597005	COLLAR		pz	4
3	06958005	BOLT WITH WASHER		pz	4
4	06971005	COLLAR		pz	2
5	06559005	COLLAR		pz	2
6	06972005	COLLAR		pz	2
7	06781005	COLLAR		pz	4
8	06973005	GROMMET		pz	2
9	06974005	GASKET		pz	2
10	06975005	GASKET		pz	2
11	08301005	BOLT FLANGE		pz	4
12	06977005	BOLT WITH WASHER		pz	6
13	07479005	VITE M5X10 TBEI ISO7380-2 ZINCATA 10.9		pz	1
14	08401005	FAIRLEAD	XEF	pz	1
15	07364005	KIT FORK GUARD XEF	XEF	pz	1
16	02163005	HANDGUARD (WHITE) WITHOUT STICKER		pz	1
17	06161005	BOLT		pz	6
18	07374005	CLAMP	XEF	pz	1
19	07019005	BOLT HEXAGON SOCKET HEAD	XEF	pz	2
20	00807005	WASHER 6X12		pz	1
21	07659005	HEADLIGHT FAIRING XE/XEF		pz	1
22	05466005	LED HEADLIGHT XE/XEF		pz	1
23	07467005	SPRING		pz	1
24	00049005	SCREW-SOCKET CONVEX HEAD 6X40		pz	1
25	07694005	BUSHING		pz	2
26	05120005	DIRECTION INDICATOR FRONT RH / REAR LH	XEF	pz	1
27	05121005	DIRECTION INDICATOR FRONT LH / REAR RH	XEF	pz	1
28	00042005	SCREW-FLANGED 5X16		pz	2
29	00267005	DADO M5 AUTOBLOCC. BASSO		pz	2
30	00340005	WASHER-SPACE		pz	1
31	08124005	HOLDER	XEF	pz	1
32	00340005	WASHER-SPACE		pz	2
33	02540005	SCREW-SOCKET CONVEX HEAD 6X16		pz	4
34	07371005	GROMMET	XEF	pz	2
35	06978005	PANEL 1		pz	1
36	06979005	PANEL 2		pz	1
37	00898005	SWINGARM USD BEEPER		pz	1
38	07356005	SIDE FAIRING		pz	1
39	07357005	SIDE FAIRING		pz	1

#	Code	Description	Specification	UM	Qty
1	07358005	SIDE FAIRING		pz	1
2	06964005	COLLAR		pz	1
3	06563005	COLLAR		pz	1
4	06932005	BOLT FLANGE		pz	1
5	06966005	BOLT WITH WASHER		pz	1
6	06967005	BOLT WITH WASHER		pz	1
7	07359005	SIDE FAIRING		pz	1
8	06964005	COLLAR		pz	1
9	06559005	COLLAR		pz	1
10	06563005	COLLAR		pz	1
11	06968005	GROMMET		pz	1
12	06969005	DAMPER		pz	1
13	06970005	GROMMET		pz	1
14	06932005	BOLT FLANGE		pz	1
15	06967005	BOLT WITH WASHER		pz	1
16	08143005	SADDLE		pz	1
17	08489005	COVER		pz	1
18	08153005	COVER CAP		pz	1
19	07046005	GROMMET		pz	2
20	07047005	BAND SEAT		pz	2
21	07458005	SCREW		pz	1
22	08149005	SPACER		pz	1
23	07493005	SCREW		pz	1
24	08403005	SCREW		pz	1
25	00058005	WASHER 6X18		pz	1
26	07368005	LICENSE PLATE		pz	1
27	08150005	SPACER		pz	1
28	07474005	PLATE		pz	1
29	07360005	MUDGUARD		pz	1
30	07476005	BUSHING		pz	1
31	06559005	COLLAR		pz	1
32	07942005	BOLT WITH WASHER	XXF	pz	1
33	07388005	LICENSE PLATE HOMOLOGATED HOLDER XE/XEF		pz	1
34	06958005	BOLT WITH WASHER		pz	1
35	06962005	GUARD FLAP		pz	1
36	06600005	SCREW TAPPING		pz	1
37	00042005	SCREW-FLANGED 5X16		pz	1
38	05121005	DIRECTION INDICATOR FRONT LH / REAR RH	XEF	pz	1
39	05120005	DIRECTION INDICATOR FRONT RH / REAR LH	XEF	pz	1
40	05113005	TAILLIGHT WITH LED LICENSE PLATE LIGHT		pz	1

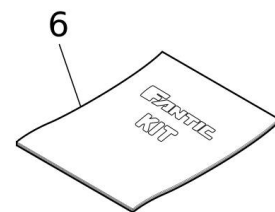
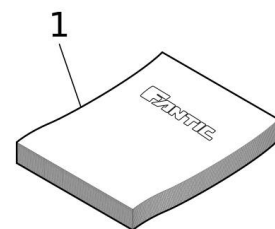
#	Code	Description	Specification	UM	Qty
41	00042005	SCREW-FLANGED 5X16		pz	1
42	00056005	WASHER 5X10		pz	1
43	07370005	COVER		pz	1



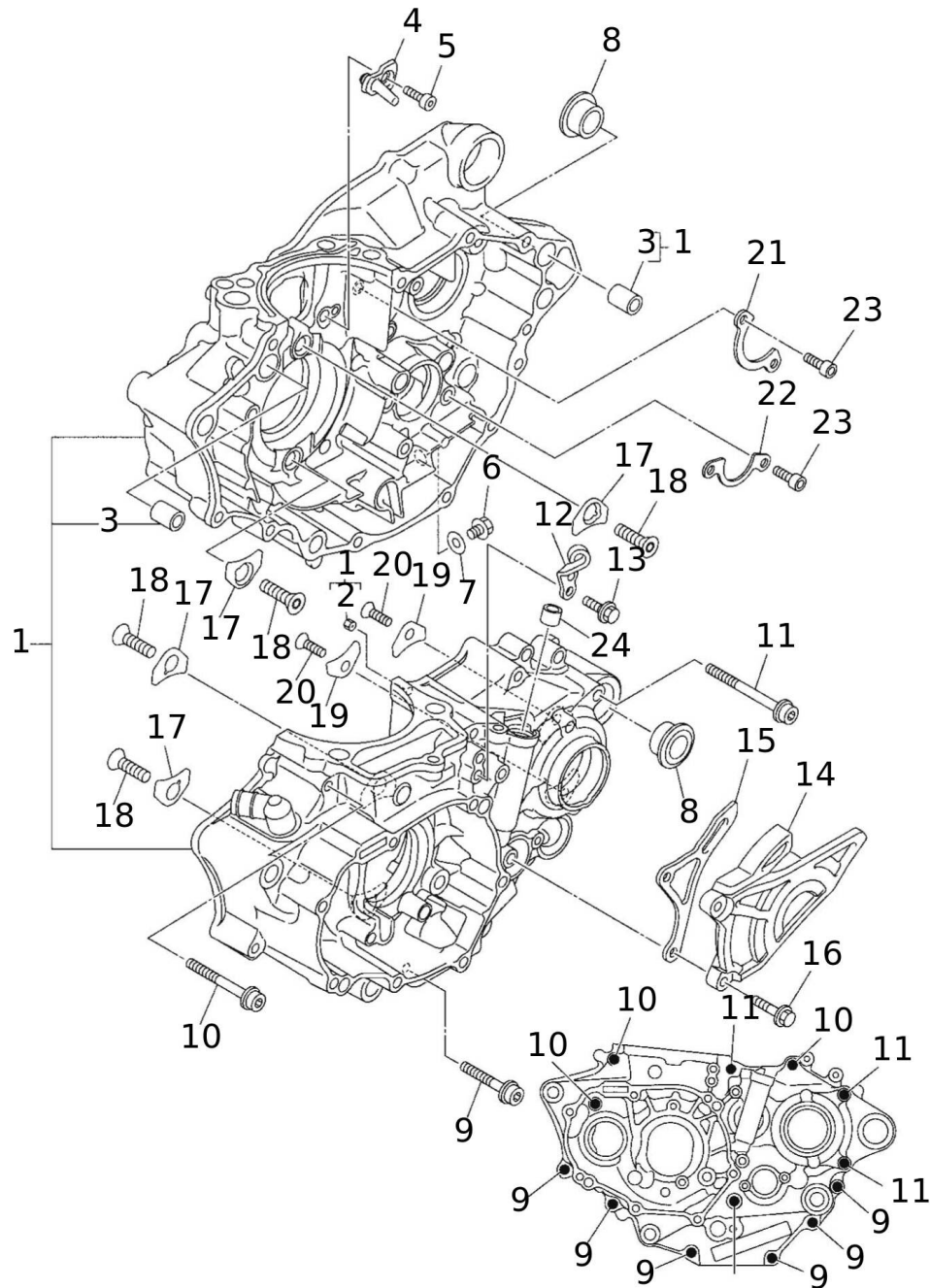
17 - Wiring (XEF 250 MY21)

#	Code	Description	Specification	UM	Qty
1	07128005	RECTIFIER REGULETOR ASSY		pz	1
2	07129005	BRACKET REGULATOR		pz	1
3	07130005	VITE 6X20 TE8 FLANGIA 13.5		pz	2
4	07131005	GROMMET		pz	2
5	07132005	COLLAR		pz	2
6	08301005	BOLT FLANGE		pz	2
7	07363005	CABLE		pz	1
8	08147005	CABLE		pz	1
9	07492005	CAP		pz	1
10	07486005	ADAPTER		pz	1
11	01199005	FLASHER RELAY (TURN SIGNAL RELAY) 10W		pz	1
12	07477005	XEF RESERVE INTERFACE BOARD		pz	1
13	07134005	HOLDER, GUIDE		pz	1
14	06289005	BOLT FLANGE		pz	1
15	00042005	SCREW-FLANGED 5X16		pz	2
16	00267005	DADO M5 AUTOBLOCC. BASSO		pz	2
17	05457005	RELAY		pz	4
18	08504005	CABLE		pz	1
19	07372005	SENSOR SPEED		pz	1
20	05466005	LED HEADLIGHT XE/XEF		pz	1
21	00798005	MAINTENANCE-FREE 3 AH BATTERY		pz	1
22	05113005	TAILLIGHT WITH LED LICENSE PLATE LIGHT		pz	1
23	07421005	BOX		pz	1
24	07942005	BOLT WITH WASHER	XXF	pz	4
25	05120005	DIRECTION INDICATOR FRONT RH / REAR LH	XEF	pz	2
26	05121005	DIRECTION INDICATOR FRONT LH / REAR RH	XEF	pz	2
27	08364005	BAND BATTERY		pz	1
28	08502005	CABLE		pz	1
29	08503005	CABLE		pz	1
30	08301005	BOLT FLANGE		pz	1
31	07376020	STARTER RELAY ASSY (RC19-102B)		pz	1
32	07377005	FUSE (15A-BLUE)		pz	2
33	07378005	COVER RELAY AVVIAMENTO		pz	1
34	08516005	VITE TCEI M6X8 FL		pz	2
35	07731005	ODOMETER		pz	1
36	07424005	LIGHT SWITCH COMMAND		pz	1
37	07729005	MY21 CAB LIGHTS DEVICE		pz	1
38	00898005	SWINGARM USD BEEPER		pz	1
39	01891005	CLIP 12X15		pz	2
40	07116005	PIPETTA CANDELA	XXF	pz	1

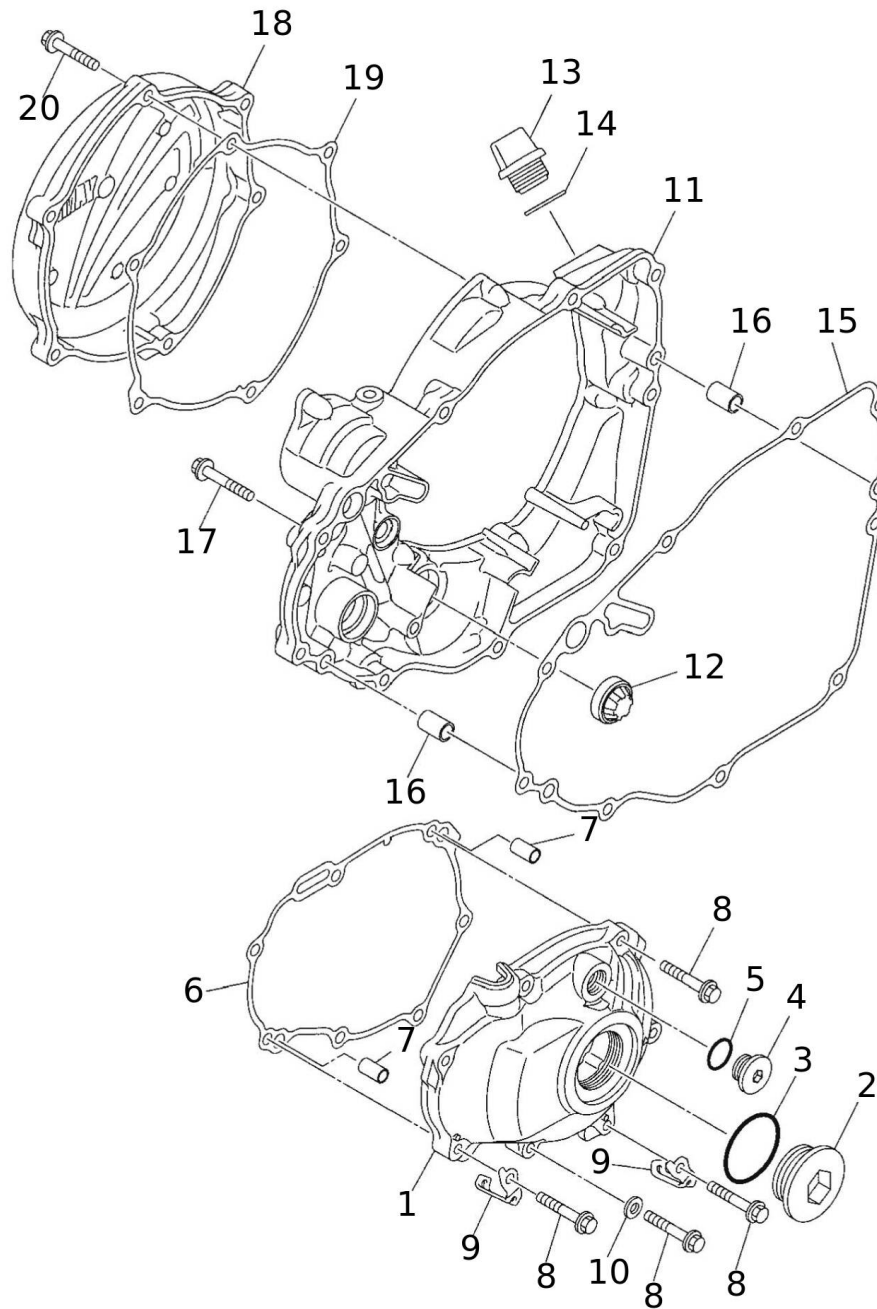
#	Code	Description	Specification	UM	Qty
41	07117005	FERMO PIPPETTA		pz	1
42	06625005	NUT FLANGE		pz	1
43	07119005	THERMO UNIT		pz	1
44	07120005	GASKET		pz	1
45	07121005	NEUTRAL SWITCH ASSY		pz	1
46	07122005	O-RING		pz	1
47	07123005	VITE 5X14 TCEI4 FLANGIA 10.7		pz	2
48	V0152020	ECU XEF250 MY21 E5		pz	1
49	05213005	LAMBDA SENSOR E4 FC250-450/TL250		pz	1
50	07479005	VITE M5X10 TBEI ISO7380-2 ZINCATA 10.9		pz	2
51	07419005	SUPPORT		pz	1
52	07124005	IGNITION COIL ASSY	XXF	pz	1
53	07125005	CORE SIDE		pz	1
54	07126005	GROMMET		pz	1
55	06749005	BOLT FLANGE DEEP RECESS		pz	2
56	07418005	WI-FI COM	XXF	pz	1
57	07423005	RING		pz	1
58	00334005	VITE 5X12 TBB UNI 7380 FLANGIATA		pz	2
59	08513005	HOLDER LEVER UNDER		pz	1
60	00057005	RONDELLA 5X15 DIN9021		pz	2



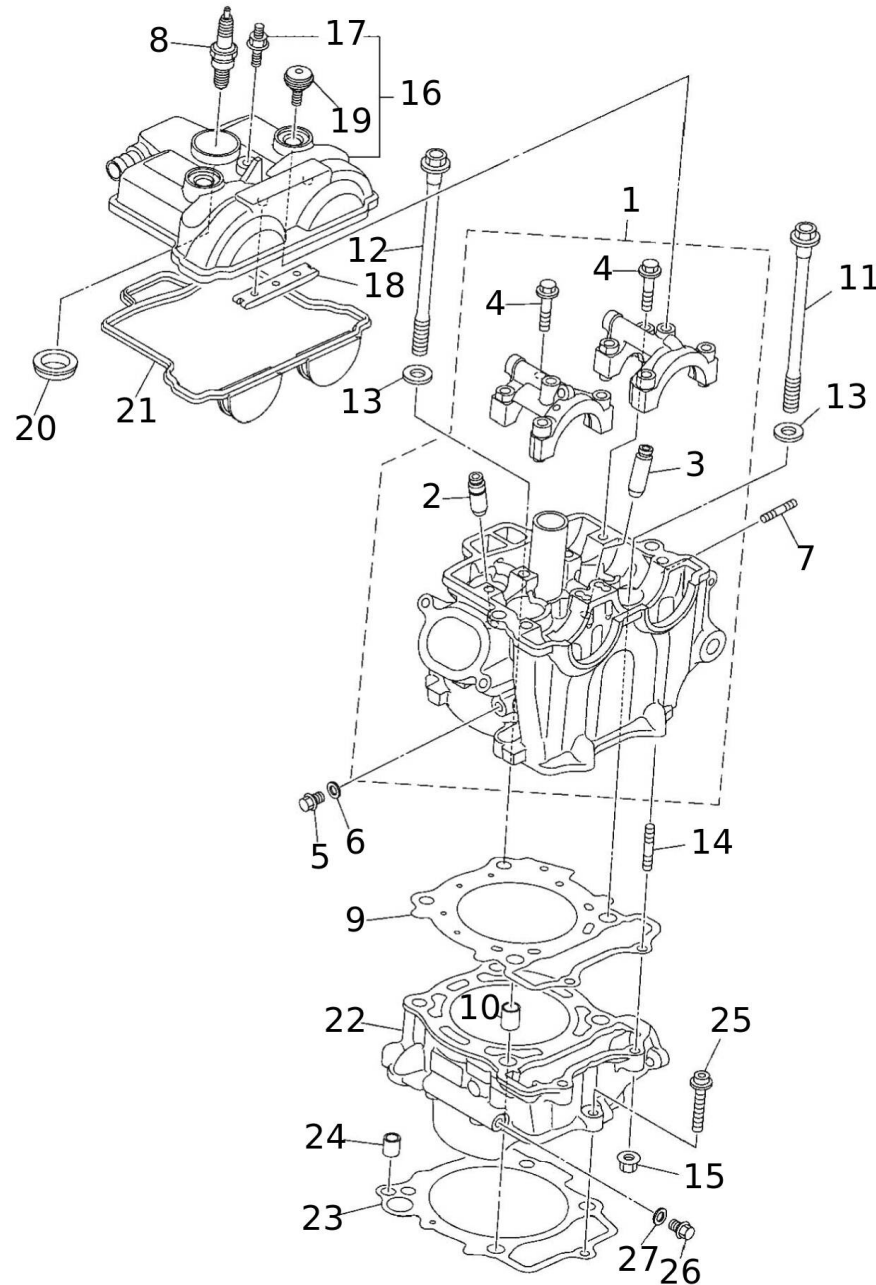
#	Code	Description	Specification	UM	Qty
1	08162005	SERVICE MANUAL XE125		pz	1
2	08163005	ADHESIVE SET		pz	1
3	04311005	AMBER CURVED PERFORMANCE REFLECTOR		pz	2
4	03990005	RED RECTANGULAR REFLECTOR		pz	1
5	08160005	ADHESIVE		pz	1
6	07482005	MANUAL KIT RACING XEF		pz	1



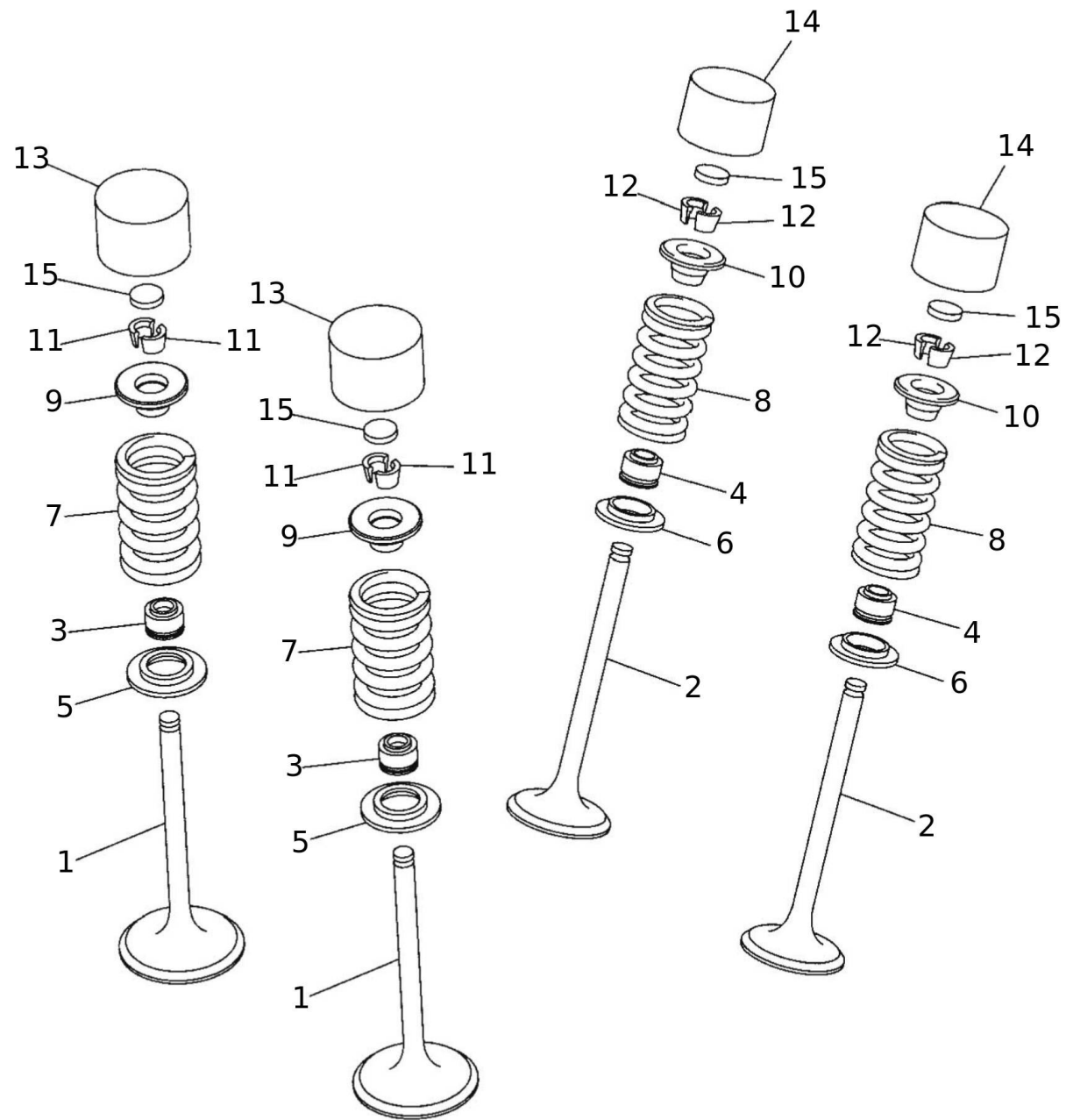
#	Code	Description	Specification	UM	Qty
1	06817020	CRANKCASE ASSY		pz	1
2	06818005	NOZZLE 1		pz	1
3	06819005	PIN, DOWEL		pz	2
4	06820005	NOZZLE 3		pz	1
5	06821005	BOLT HEXAGON SOCKET HEAD		pz	1
6	06822005	BOLT, FLANGE DEEP RECESS		pz	1
7	08225005	GASKET		pz	1
8	06823005	COLLAR		pz	2
9	06824005	BOLT HEXAGON SOCKET HEAD		pz	7
10	06825005	BOLT HEXAGON SOCKET HEAD		pz	3
11	06826005	BOLT HEXAGON SOCKET HEAD		pz	3
12	06827005	HOLDER, CLUTCH CABLE		pz	1
13	06569005	BOLT FLANGE		pz	2
14	06829005	PROTEZIONE PIGNONE		pz	1
15	06830005	GUIDA CATENA		pz	1
16	06831005	BOLT FLANGE		pz	2
17	06832005	PLATE, BEARING COVER		pz	4
18	06833005	SCREW COUNTERSUNK		pz	4
19	05932005	PLATE, BEARING COVER		pz	2
20	06834005	SCREW COUNTERSUNK		pz	2
21	06835005	PLATE, BEARING COVER		pz	1
22	06836005	PLATE STOPPER 2		pz	1
23	06837005	BOLT HEXAGON SOCKET HEAD		pz	4
24	06838005	BEARING		pz	1



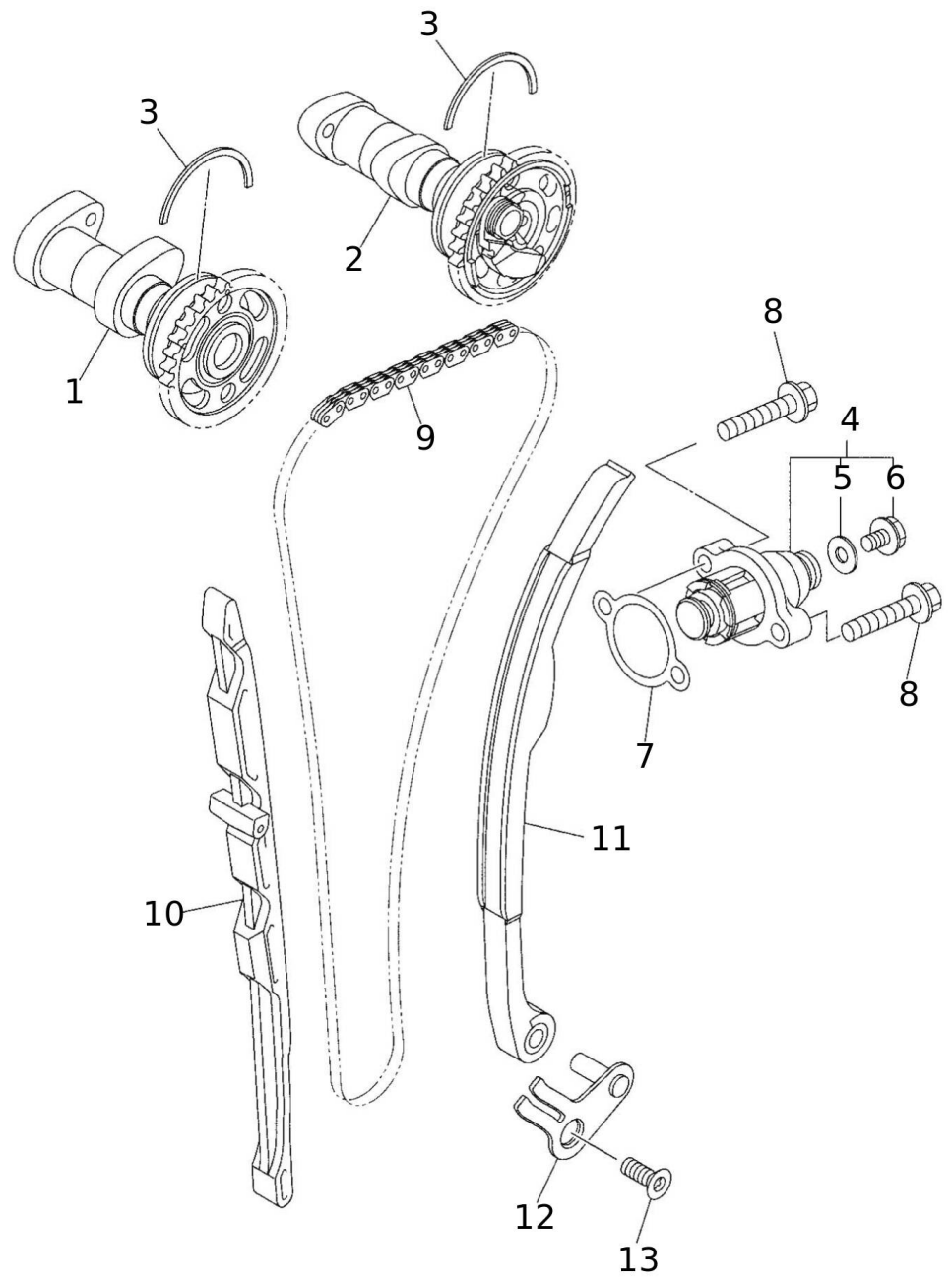
#	Code	Description	Specification	UM	Qty
1	06839005	COVER, CRANKCASE 1		pz	1
2	07054005	PLUG, STRAIGHT SCREW		pz	1
3	06840005	O-RING		pz	1
4	07055005	PLUG, STRAIGHT SCREW		pz	1
5	06841005	O-RING		pz	1
6	06842005	GASKET CRANKCASE COVER 1		pz	1
7	05875005	PIN DOWEL		pz	2
8	06708005	BOLT FLANGE DEEP RECESS		pz	7
9	06843005	GUIDE, CABLE		pz	2
10	05705005	GASKET		pz	2
11	06844005	COVER, CRANKCASE 3		pz	1
12	06845005	GAUGE LEVEL		pz	1
13	03957005	TAPPO ISP. OLIO 250 4T		pz	1
14	05877005	O-RING		pz	1
15	06848005	GUARNIZIONE COPRECHIO CARTER DX		pz	1
16	05875005	PIN DOWEL		pz	2
17	06708005	BOLT FLANGE DEEP RECESS		pz	9
18	08155005	COVER 1		pz	1
19	06849005	GASKET CRANKCASE COVER		pz	1
20	06708005	BOLT FLANGE DEEP RECESS		pz	6



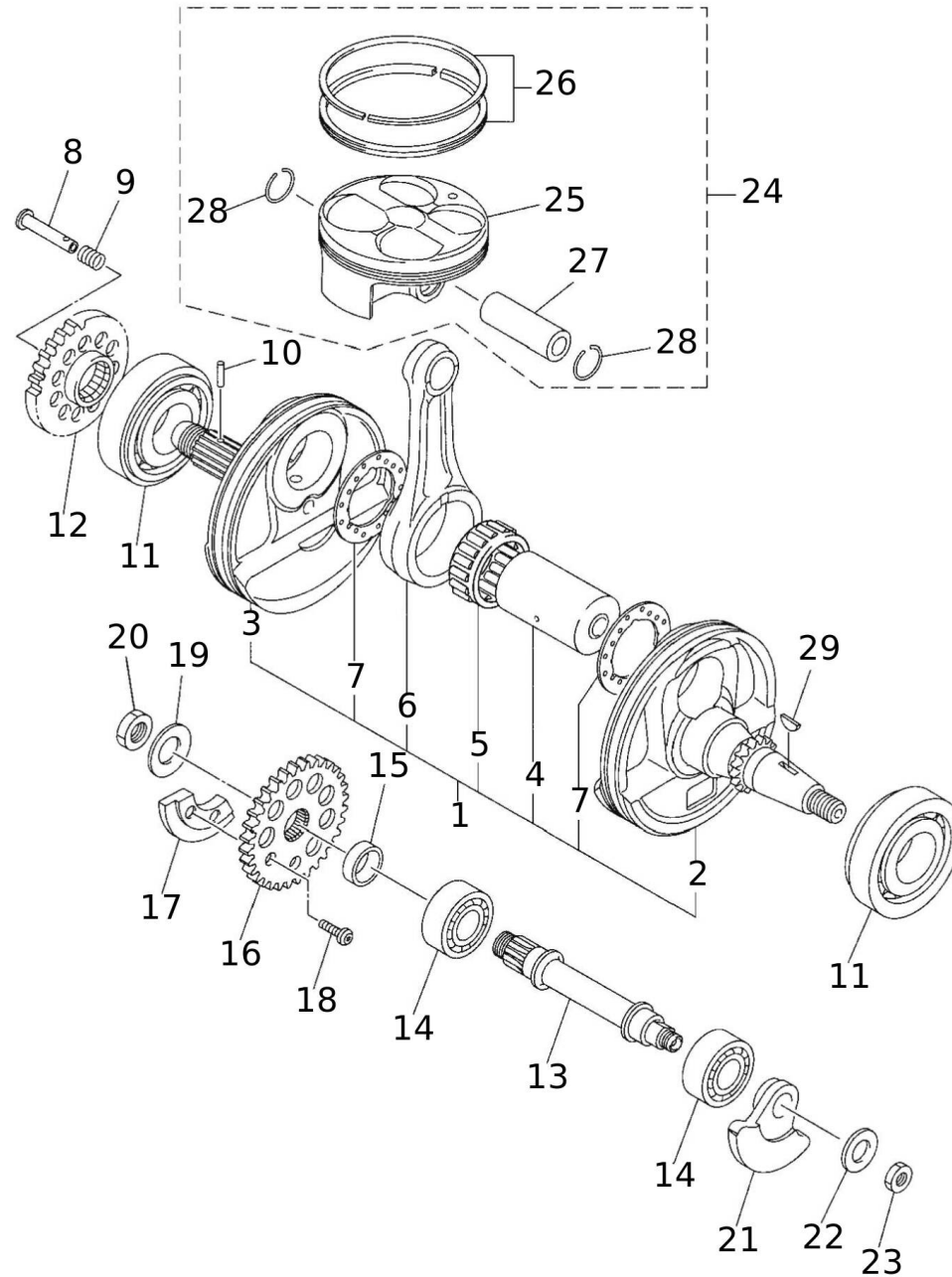
#	Code	Description	Specification	UM	Qty
1	06613020	CYLINDER HEAD ASSY		pz	1
2	06614005	GUIDA VALVOLA 2		pz	2
3	06615005	GUIDA VALVOLA 1		pz	2
4	06616005	BOLT, WITH WASHER		pz	8
5	06617005	BOLT FLANGE DEEP RECESS		pz	1
6	05705005	GASKET		pz	1
7	06618005	BOLT STUD		pz	2
8	06619005	PLUG SPARK (NGK LMAR8E-J)		pz	1
9	06620005	GASKET CYLINDER HEAD 1		pz	1
10	03963005	PIN		pz	2
11	03961005	SCREW		pz	3
12	03962005	SCREW		pz	1
13	06624005	WASHER, PLATE		pz	4
14	06618005	BOLT STUD		pz	2
15	06625005	NUT FLANGE		pz	2
16	08156005	COVER CYLINDER HEAD 1		pz	1
17	06626005	BOLT STUD		pz	1
18	06627005	GUIDA TAMPONE 2		pz	1
19	03960005	SCREW		pz	2
20	06629005	GASKET HEAD COVER 2		pz	1
21	06630005	GASKET HEAD COVER 1		pz	1
22	06631005	CYLINDER 1		pz	1
23	06632005	GASKET CYLINDER		pz	1
24	05854005	PIN, DOWEL		pz	2
25	06633005	BOLT HEXAGON SOCKET HEAD		pz	1
26	06617005	BOLT FLANGE DEEP RECESS		pz	1
27	05705005	GASKET		pz	1



#	Code	Description	Specification	UM	Qty
1	06662005	INTAKE VALVE		pz	2
2	06663005	EXHAUST VALVE		pz	2
3	06664005	SEAL VALVE STEM		pz	2
4	06665005	SEAL VALVE STEM		pz	2
5	06666005	SEAT, VALVE SPRING		pz	2
6	06667005	SEAT, VALVE SPRING 2		pz	2
7	06668005	SPRING VALVE INNER		pz	2
8	06669005	SPRING VALVE OUTER		pz	2
9	06670005	RETAINER, VALVE SPRING		pz	2
10	06671005	RETAINER, VALVE SPRING		pz	2
11	06672005	LOCK VALVE SPRING RETAINER		pz	4
12	06673005	LOCK VALVE SPRING RETAINER		pz	4
13	06674005	LIFTER VALVE		pz	2
14	06675005	LIFTER, VALVE		pz	2
15	06676005	PAD ADJUSTING (1.20)	Accessory	pz	4
15	06677005	PAD ADJUSTING (1.25)	Accessory	pz	4
15	06678005	PAD ADJUSTING (1.30)	Accessory	pz	4
15	06679005	PAD ADJUSTING (1.35)	Accessory	pz	4
15	06680005	PAD ADJUSTING (1.40)	Accessory	pz	4
15	06681005	PAD ADJUSTING (1.45)	Accessory	pz	4
15	06682005	PAD ADJUSTING (1.50)	Accessory	pz	4
15	06683005	PAD ADJUSTING (1.55)	Accessory	pz	4
15	06684005	PAD ADJUSTING (1.60)	Accessory	pz	4
15	06685005	PAD ADJUSTING (1.65)	Accessory	pz	4
15	06686005	PAD ADJUSTING (1.70)	Accessory	pz	4
15	06687005	PAD ADJUSTING (1.75)	Accessory	pz	4
15	06688005	PAD ADJUSTING (1.80)	Accessory	pz	4
15	06689005	PAD ADJUSTING (1.85)	Accessory	pz	4
15	06690005	PAD ADJUSTING (1.90)	Accessory	pz	4
15	06691005	PAD ADJUSTING (1.95)	Accessory	pz	4
15	06692005	PAD ADJUSTING (2.00)	Accessory	pz	4
15	06693005	PAD ADJUSTING (2.05)	Accessory	pz	4
15	06694005	PAD ADJUSTING (2.10)	Accessory	pz	4
15	06695005	PAD ADJUSTING (2.15)	Accessory	pz	4
15	06696005	PAD ADJUSTING (2.20)	Accessory	pz	4
15	06697005	PAD ADJUSTING (2.25)	Accessory	pz	4
15	06698005	PAD ADJUSTING (2.30)	Accessory	pz	4
15	06699005	PAD ADJUSTING (2.35)	Accessory	pz	4
15	06700005	PAD ADJUSTING (2.40)	Accessory	pz	4

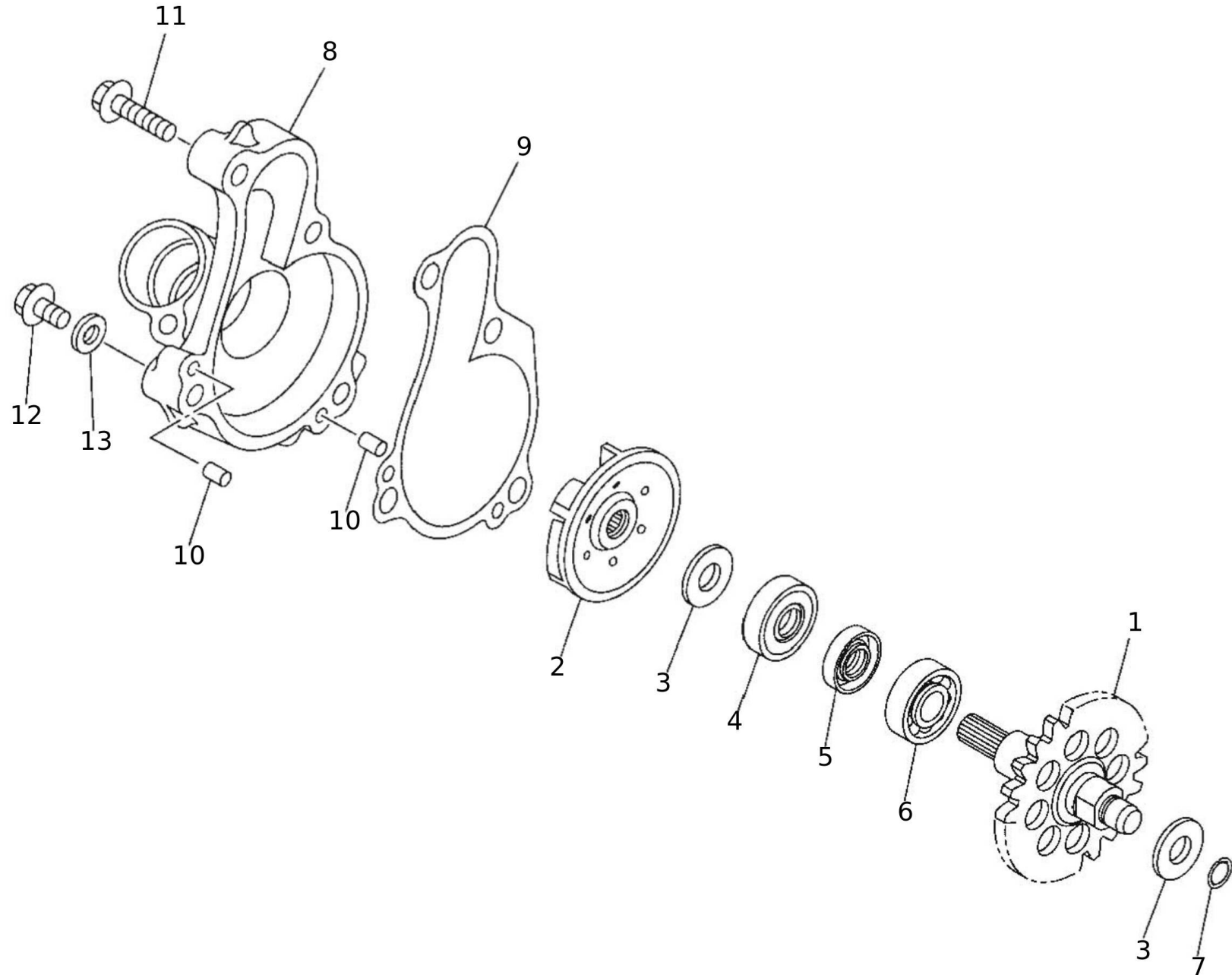


#	Code	Description	Specification	UM	Qty
1	06701005	CAMSHAFT ASSY 1		pz	1
2	06702005	CAMSHAFT ASSY 2		pz	1
3	06703005	CIRCLIP		pz	2
4	06704020	TENSIONER ASSY, CAM CHAIN		pz	1
5	06705005	GASKET		pz	1
6	06706005	BOLT		pz	1
7	06707005	GASKET TENSIONER CASE		pz	1
8	06708005	BOLT FLANGE DEEP RECESS		pz	2
9	06709005	CATENA DISTRIBUZIONE		pz	1
10	06710005	PATTINO CATENA DISTRIBUZIONE 1		pz	1
11	06711005	PATTINO CATENA DISTRIBUZIONE 2		pz	1
12	06712005	PLATE GUIDE STOPPER 1		pz	1
13	06713005	SCREW COUNTERSUNK		pz	1

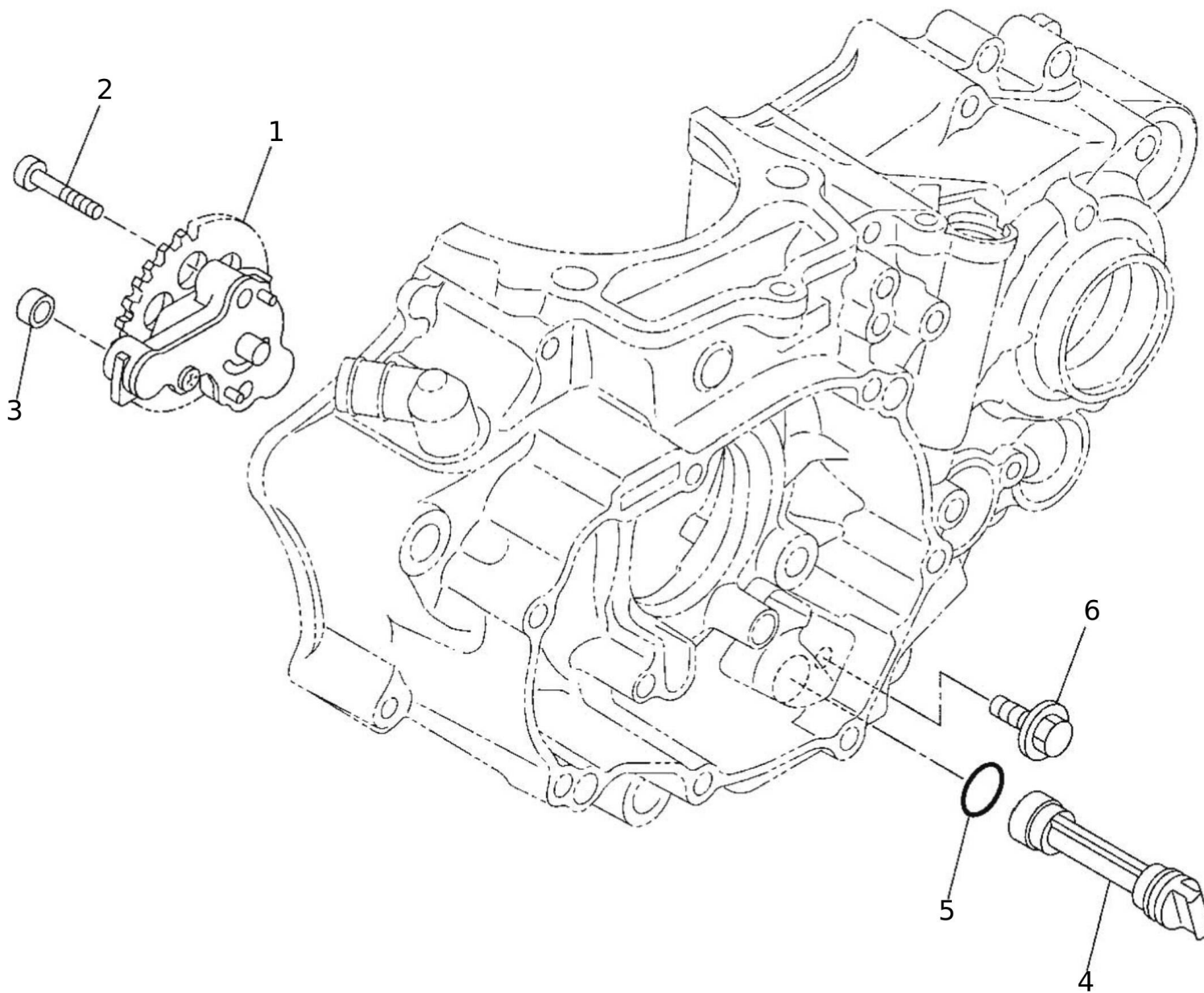


#	Code	Description	Specification	UM	Qty
1	06634020	CRANKSHAFT ASSY		pz	1
2	06635005	CRANK 1		pz	1
3	06636005	CRANK 2		pz	1
4	06637005	PIN, CRANK 1		pz	1
5	06638005	.BEARING		pz	1
6	06639005	ROD CONNECTING		pz	1
7	06640005	WASHER		pz	2
8	06641005	PIN CLEVIS		pz	1
9	06642005	SPRING, COMPRESSION		pz	1
10	06643005	PIN DOWEL		pz	1
11	06644005	BEARING		pz	2
12	06645005	GEAR, DRIVE		pz	1
13	06646005	COUNTERSHAFT		pz	1
14	05942005	BEARING		pz	2
15	06647005	COLLAR		pz	1
16	06648005	GEAR, BALANCE WEIGHT		pz	1
17	06649005	WEIGHT 1		pz	1
18	06650005	SCREW		pz	2
19	06651005	WASHER CONICAL SPRING		pz	1
20	06652005	NUT		pz	1
21	06653005	WEIGHT 2		pz	1
22	06654005	WASHER CONICAL SPRING		pz	1
23	06655005	NUT		pz	1
24	06656020	PISTON ASSY		pz	1
25	06657005	.PISTON (STD)		pz	1
26	06658005	.PISTON RING SET (STD)		pz	1
27	06659005	PIN, PISTON		pz	1
28	06660005	CIRCLIP		pz	2
29	06661005	KEY, WOODRUFF		pz	1

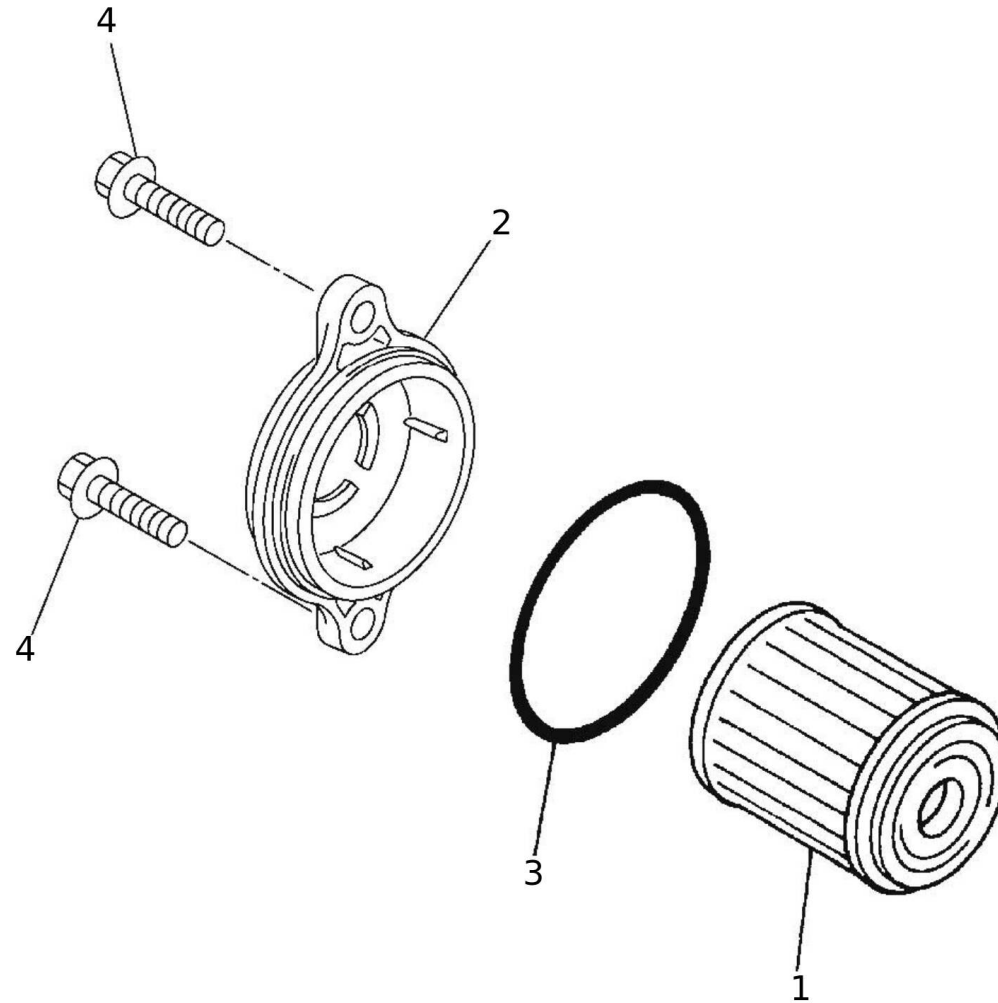
#	Code	Description	Specification	UM	Qty
1	06853005	GEAR PRIMARY DRIVE		pz	1
2	06854005	COLLAR		pz	1
3	06855005	WASHER CONICAL SPRING		pz	1
4	06856005	NUT		pz	1
5	06857005	GEAR PRIMARY DRIVEN		pz	1
6	06858005	PRIMARY DRIVEN GEAR COMP.		pz	1
7	06859005	ABSORBER		pz	8
8	06860005	PLATE SIDE		pz	1
9	06861005	STARTER CLUTCH ASSY		pz	1
10	06862005	SCREW, PAN HEAD		pz	8
11	06863005	PLATE THRUST 1		pz	1
12	06864005	BOSS, CLUTCH		pz	1
13	06865005	PLATE FRICTION		pz	2
14	06866005	PLATE, CLUTCH 2		pz	7
15	06867005	PLATE, PRESSURE 1		pz	1
16	06868005	SPRING, COMPRESSION		pz	6
17	07056005	BOLT WITH WASHER		pz	1
18	06869005	PLATE FRICTION		pz	6
19	06870005	SPACER		pz	1
20	06871005	COLLAR		pz	1
21	06872005	WASHER, PLATE		pz	1
22	06873005	WASHER CONICAL SPRING		pz	1
23	06874005	NUT		pz	1
24	06875005	ROD, PUSH 1		pz	1
25	06876005	BEARING		pz	1
26	06877005	CIRCLIP		pz	1
27	05926005	BALL		pz	1
28	06878005	ROD, PUSH 2		pz	1
29	06879005	PUSH LEVER COMP.		pz	1
30	06880005	BEARING		pz	1
31	05930005	OIL SEAL		pz	1
32	06881005	CIRCLIP		pz	1



#	Code	Description	Specification	UM	Qty
1	06714005	GEAR IMPELLER SHAFT		pz	1
2	06715005	IMPELLER SHAFT ASSY		pz	1
3	05697005	WASHER		pz	2
4	06716005	OIL SEAL		pz	1
5	06717005	OIL SEAL		pz	1
6	06718005	BEARING		pz	1
7	05699005	CIRCLIP		pz	1
8	06719005	COVER,CYLINDER HEAD 1		pz	1
9	06720005	GSKT. COVER CYL. HEAD SIDE 1		pz	1
10	05708005	PIN DOWEL		pz	2
11	06708005	BOLT FLANGE DEEP RECESS		pz	4
12	06617005	BOLT FLANGE DEEP RECESS		pz	1
13	05705005	GASKET		pz	1

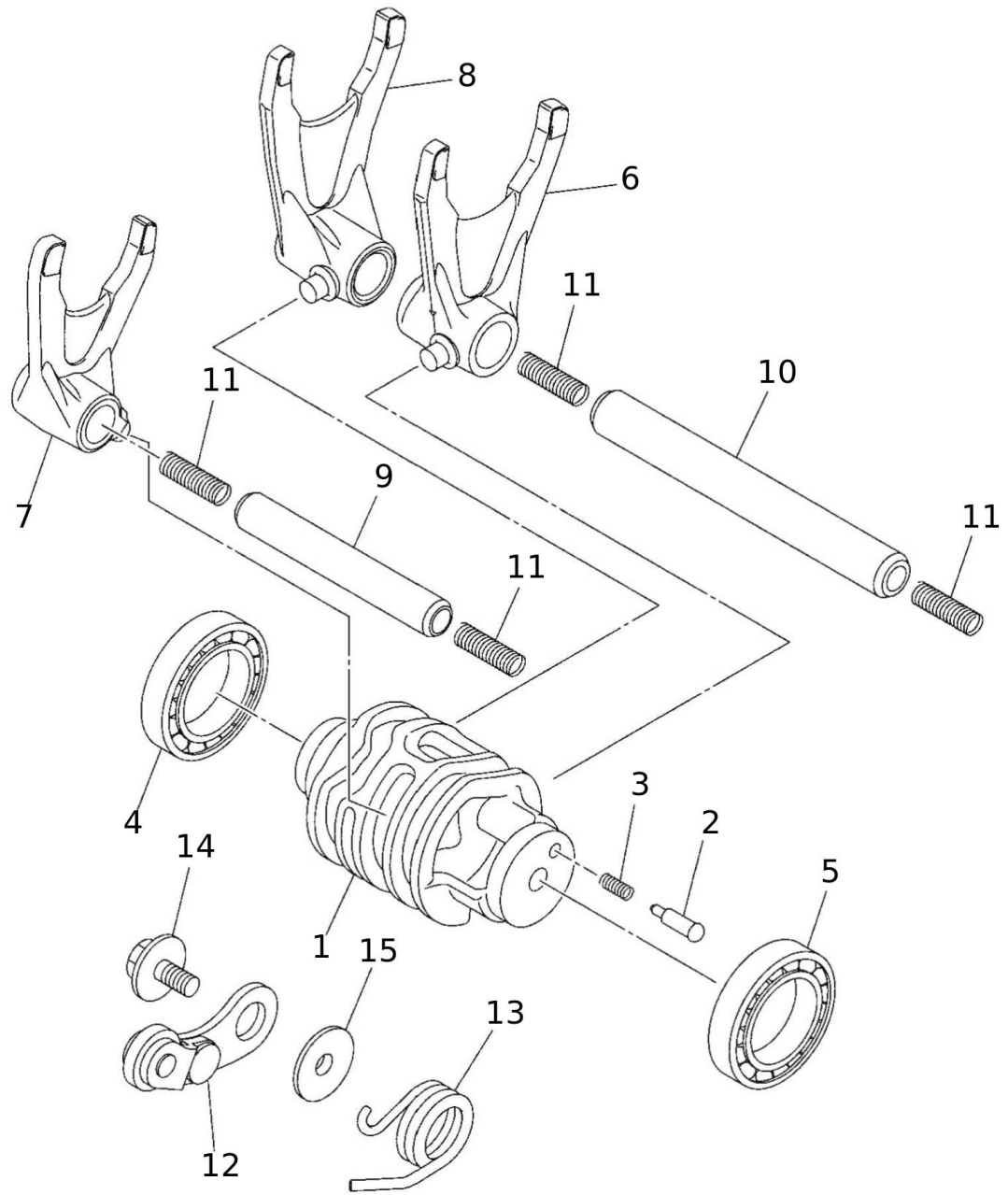


#	Code	Description	Specification	UM	Qty
1	06740005	OIL PUMP ASSY		pz	1
2	06741005	BOLT HEXAGON SOCKET HEAD		pz	2
3	06742005	GASKET		pz	1
4	06743005	STRAINER OIL		pz	1
5	06744005	O-RING		pz	1
6	06565005	SCREW WITH WASHER		pz	1

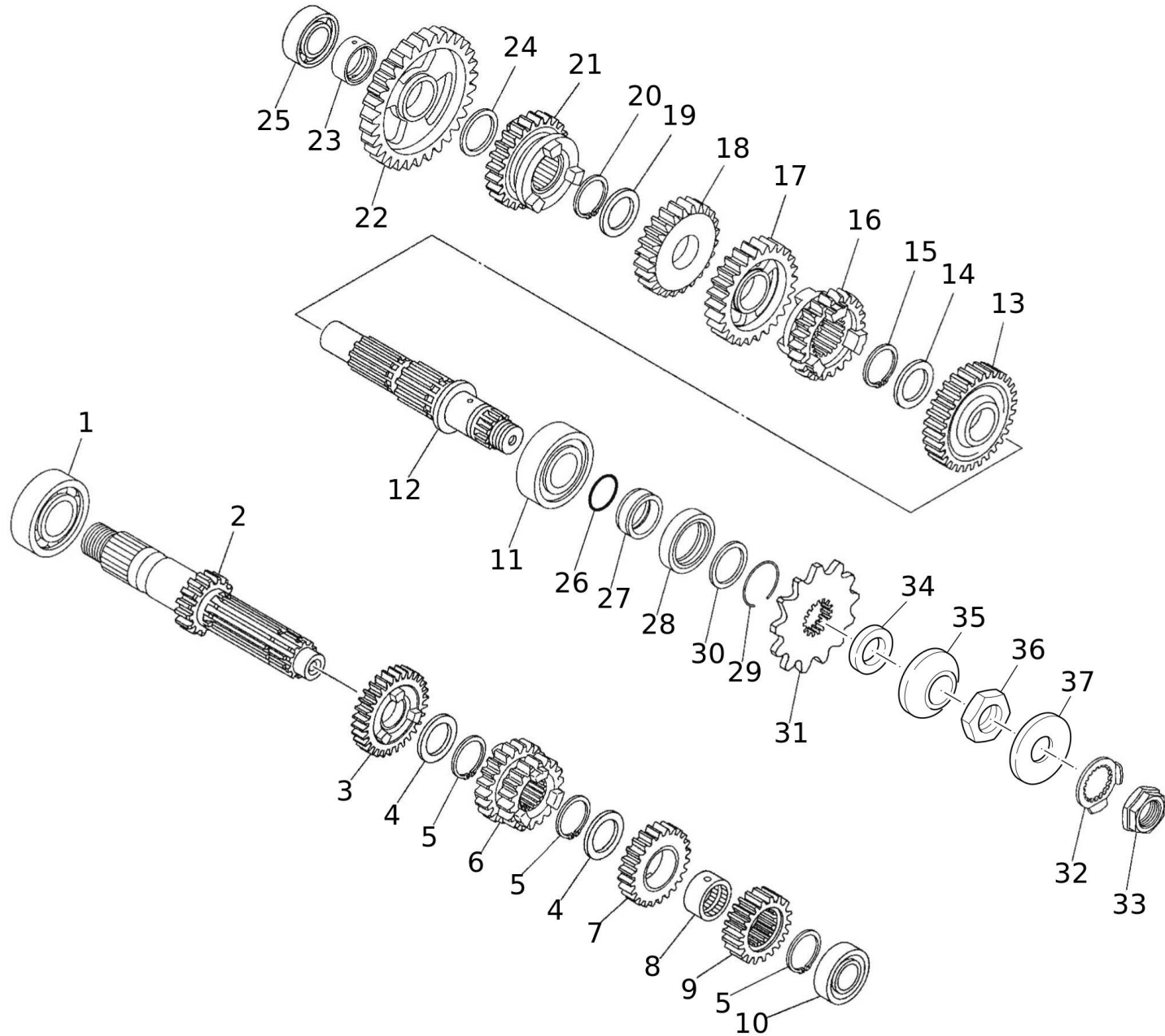


#	Code	Description	Specification	UM	Qty
1	06746005	FILTRO OLIO		pz	1
2	06747005	COVER, OIL ELEMENT		pz	1
3	06748005	O-RING		pz	1
4	06749005	BOLT FLANGE DEEP RECESS		pz	2

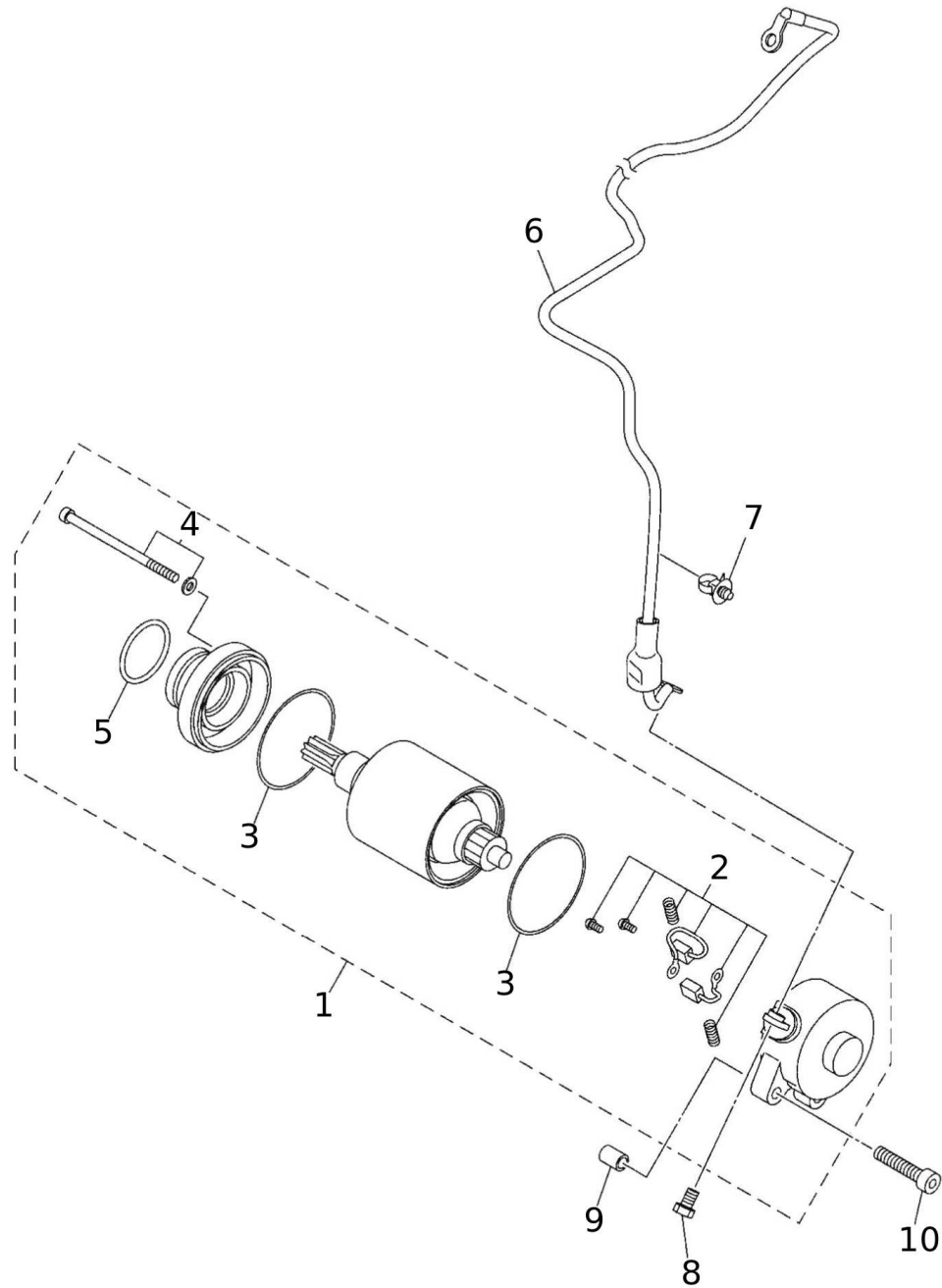
#	Code	Description	Specification	UM	Qty
1	06919005	SEGMENT		pz	1
2	05986005	PIN SHIFT		pz	1
3	06920005	LEVER, SHIFT 2		pz	1
4	05987005	ROLLER SHIFT LEVER		pz	1
5	05988005	PAWL SHIFTER		pz	2
6	05989005	SPRING, COMPRESSION		pz	2
7	05990005	PIN PAWL		pz	2
8	06921005	GUIDE, SHIFT		pz	1
9	05992005	BOLT		pz	2
10	06922005	SHIFT SHAFT ASSY		pz	1
11	06923005	COLLAR		pz	1
12	06924005	SPRING, TORSION		pz	1
13	05982005	PIN DOWEL		pz	1
14	06925005	SHIFT PEDAL ASSY		pz	1
15	06926005	BOLT WITH WASHER		pz	1
16	06927005	OIL SEAL		pz	1



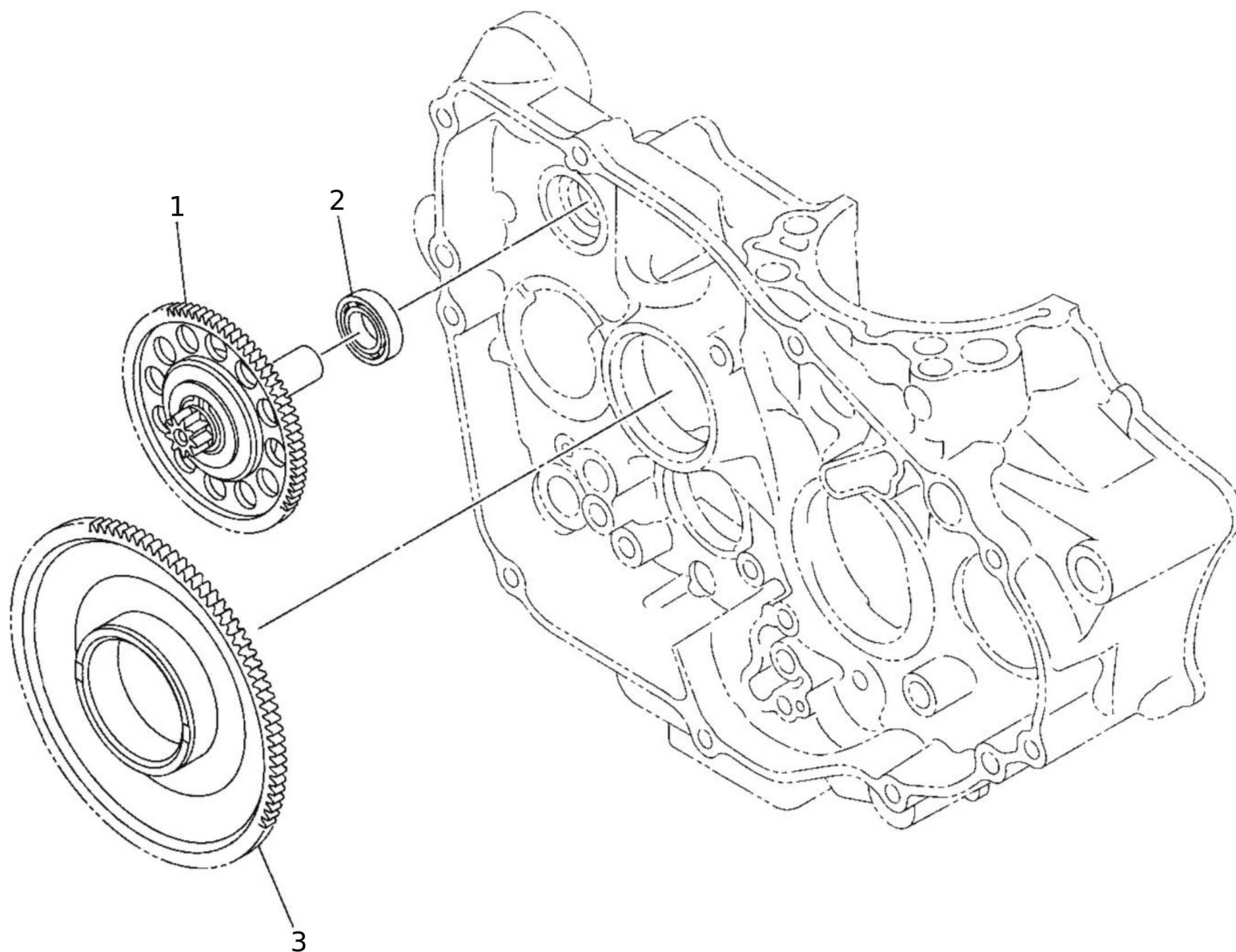
#	Code	Description	Specification	UM	Qty
1	06905005	CAM, SHIFT		pz	1
2	06906005	PIN		pz	1
3	06907005	SPRING, COMPRESSION		pz	1
4	06197005	BEARING		pz	1
5	06908005	BEARING		pz	1
6	06909005	FORK, SHIFT 1		pz	1
7	06910005	FORK, SHIFT 2		pz	1
8	06911005	FORK, SHIFT 3		pz	1
9	06912005	BAR SHIFT FORK GUIDE 1		pz	1
10	06913005	BAR SHIFT FORK GUIDE 2		pz	1
11	06914005	SPRING, COMPRESSION		pz	4
12	06915005	STOPPER LEVER ASSY		pz	1
13	06916005	SPRING, TORSION		pz	1
14	06917005	BOLT WITH WASHER		pz	1
15	06918005	SPACER		pz	1



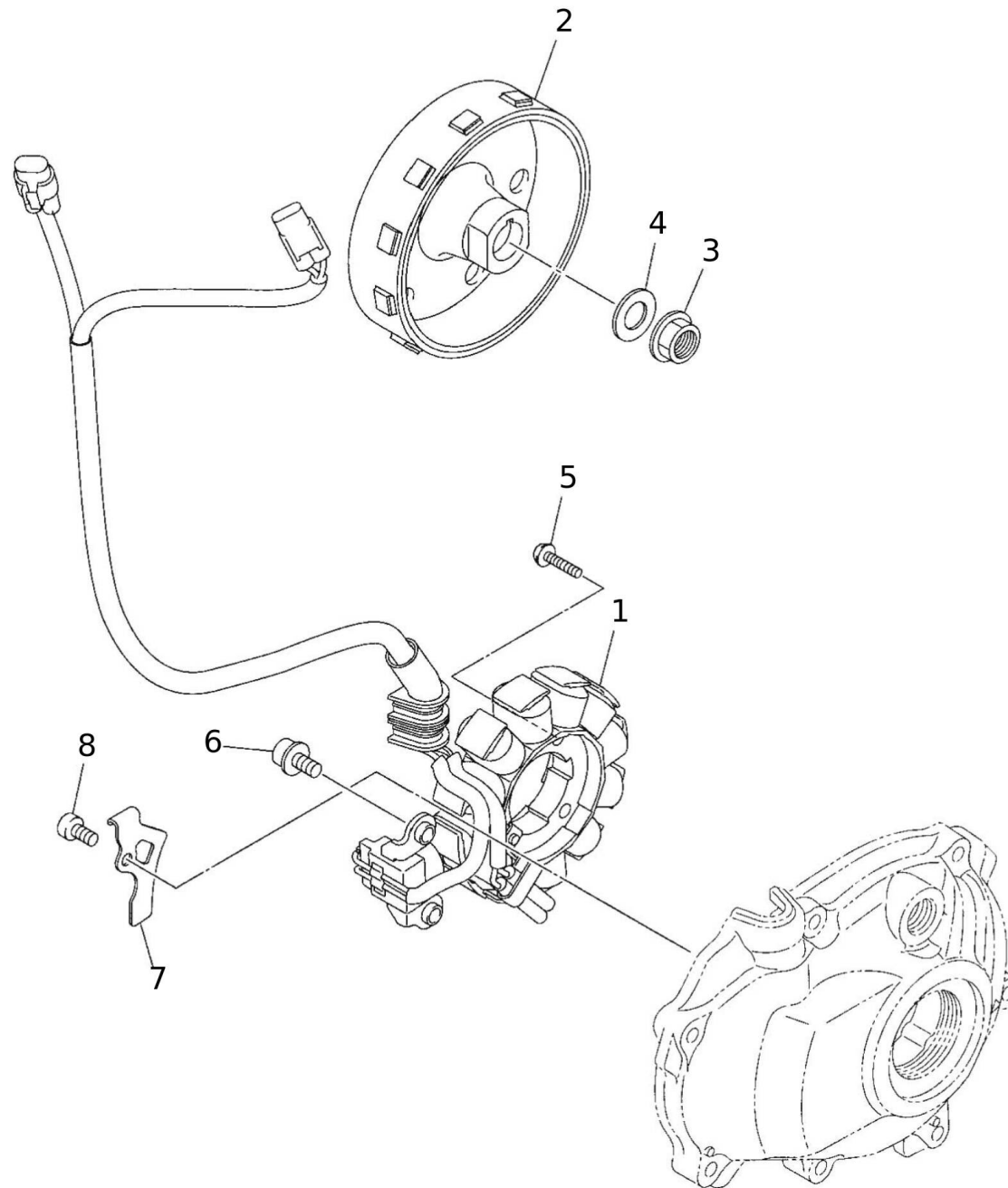
#	Code	Description	Specification	UM	Qty
1	06882005	BEARING		pz	1
2	06883005	AXLE, MAIN		pz	1
3	06884005	GEAR 6TH PINION (27T)		pz	1
4	05948005	WASHER		pz	2
5	05937005	CIRCLIP		pz	3
6	06885005	GEAR 3RD PINION (18T/21T)		pz	1
7	06886005	GEAR 5TH PINION (23T)		pz	1
8	06887005	COLLAR		pz	1
9	06888005	GEAR, 2ND PINION(16T)		pz	1
10	06889005	BEARING		pz	1
11	06890005	BEARING		pz	1
12	06891005	DRIVE AXLE ASSY		pz	1
13	06892005	GEAR 2ND WHEEL (29T)		pz	1
14	05953005	WASHER		pz	1
15	05952005	CIRCLIP		pz	1
16	06893005	GEAR 5TH WHEEL (22T)		pz	1
17	06894005	INGRANAGGIO CONDOTTO 3A MARCIA (26T)		pz	1
18	06895005	INGRANAGGIO CONDOTTO 4A MARCIA (24T)		pz	1
19	05948005	WASHER		pz	1
20	05937005	CIRCLIP		pz	1
21	06896005	GEAR 6TH WHEEL (22T)		pz	1
22	06897005	GEAR 1ST WHEEL (31T)		pz	1
23	06898005	COLLAR		pz	1
24	06899005	WASHER, PLATE		pz	1
25	05942005	BEARING		pz	1
26	06900005	O-RING		pz	1
27	06901005	COLLAR		pz	1
28	05958005	OIL SEAL		pz	1
29	06902005	CIRCLIP		pz	1
30	06903005	WASHER, PLATE		pz	1
31	05960005	PINION Z13		pz	1
32	05961005	WASHER LOCK		pz	1
33	05962005	NUT		pz	1
34	07398005	FRONT SPROCKET RUBBER DISC XE		pz	1
35	07392005	SPRING		pz	1
36	07399005	LOWERED NUT M18x1		pz	1
37	07400005	BUSHING		pz	1



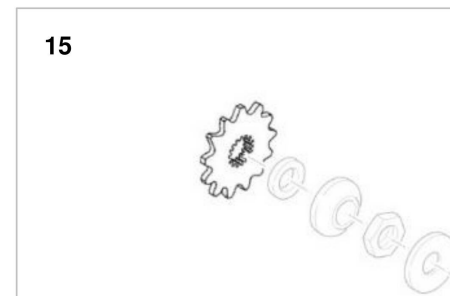
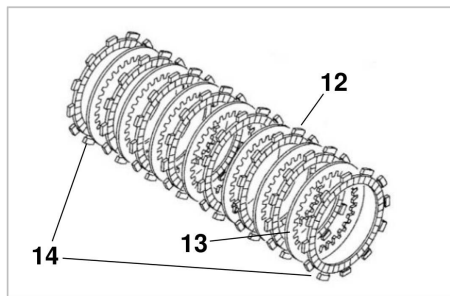
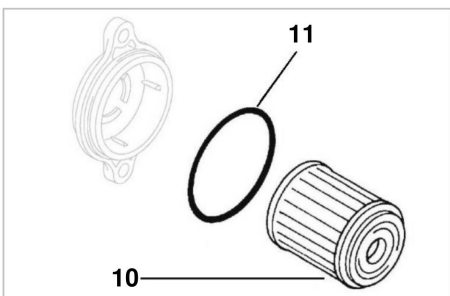
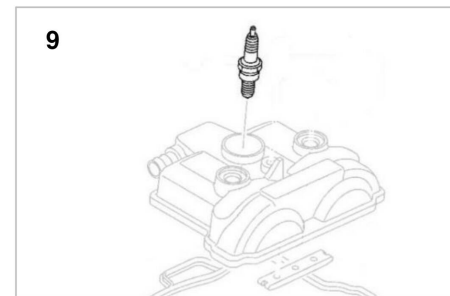
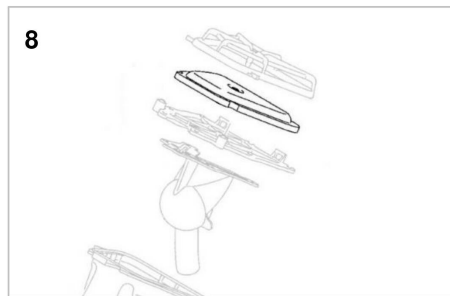
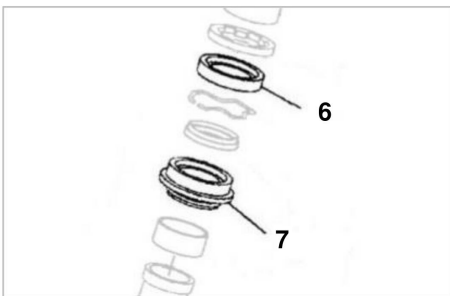
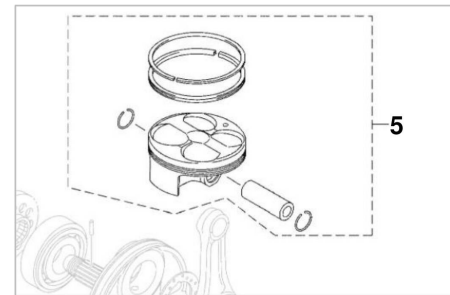
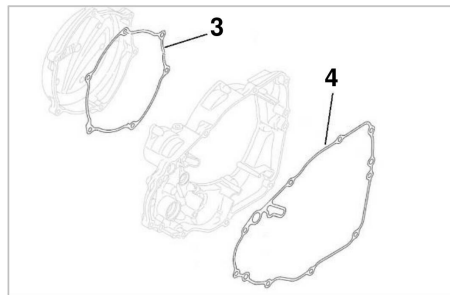
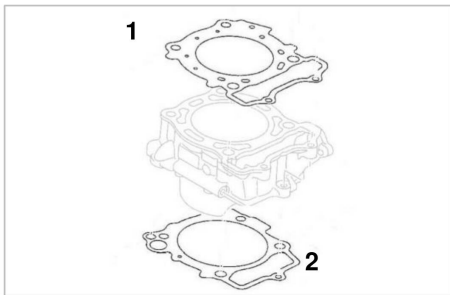
#	Code	Description	Specification	UM	Qty
1	07099020	MOTOR ASSY		pz	1
2	07100005	BRUSH SET		pz	1
3	07101005	GASKET		pz	2
4	07102005	SCREW, PAN HEAD		pz	2
5	07103005	O-RING		pz	1
6	07104005	CAVO		pz	1
7	07105005	FASCETTA		pz	1
8	07106005	BOLT 2		pz	1
9	07107005	PIN, DOWEL		pz	2
10	07108005	BOLT HEXAGON SOCKET HEAD		pz	2



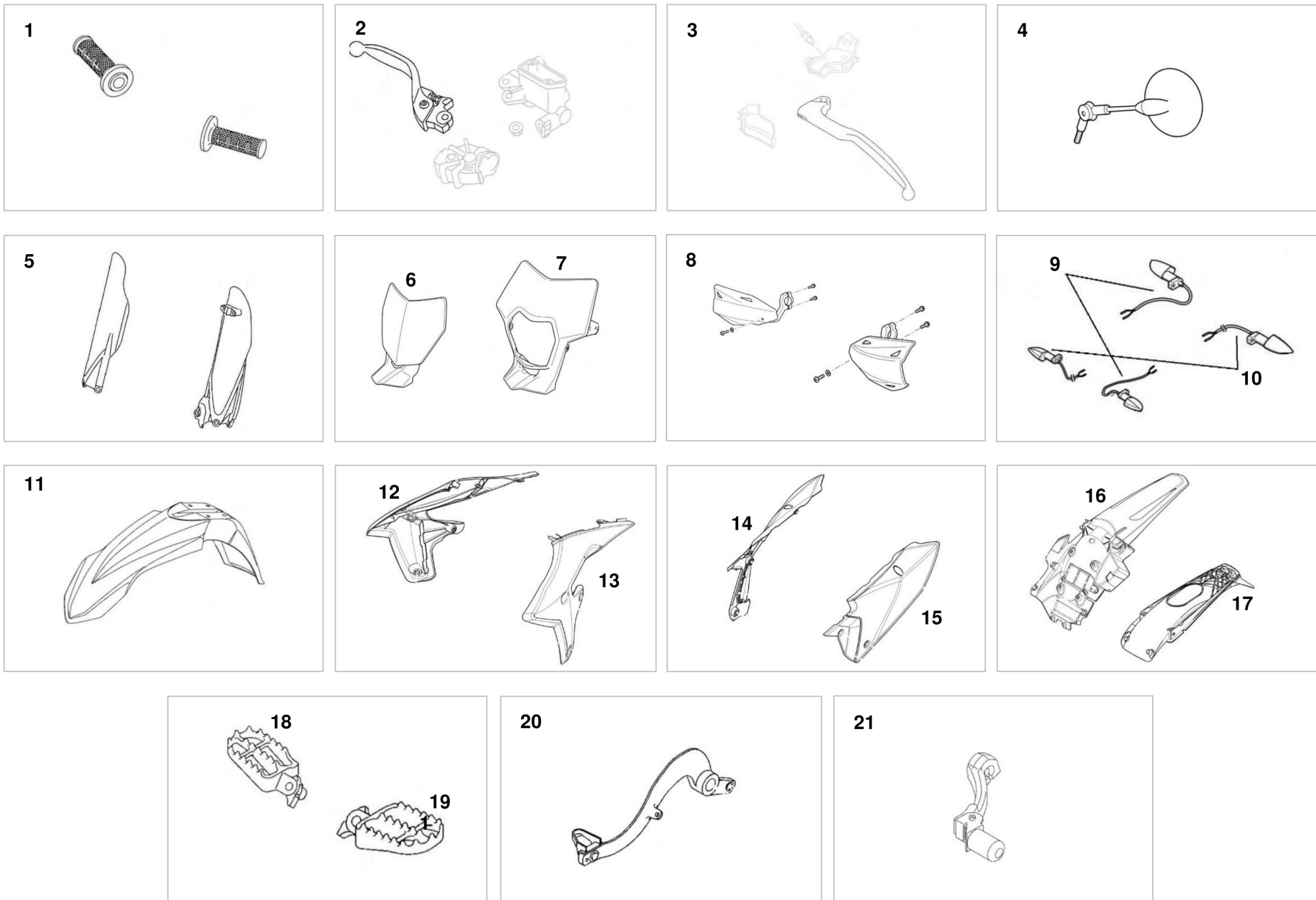
#	Code	Description	Specification	UM	Qty
1	06850005	DAMPER ASSY		pz	1
2	06851005	BEARING		pz	1
3	06852005	GEAR 3		pz	1



#	Code	Description	Specification	UM	Qty
1	07092005	STATOR ASSY		pz	1
2	07093005	ROTOR ASSY		pz	1
3	07094005	NUT		pz	1
4	06376005	WASHER PLATE		pz	1
5	07095005	SCREW, PAN HEAD		pz	3
6	07096005	BOLT HEXAGON SOCKET HEAD		pz	2
7	07097005	CLAMP 1		pz	1
8	07098005	BOLT HEXAGON SOCKET HEAD		pz	1



#	Code	Description	Specification	UM	Qty
1	06620005	GASKET CYLINDER HEAD 1		pz	1
2	06632005	GASKET CYLINDER		pz	1
3	06849005	GASKET CRANKCASE COVER		pz	1
4	06848005	GUARNIZIONE COPRECHIO CARTER DX		pz	1
5	06656020	PISTON ASSY		pz	1
6	07011005	OIL SEAL		pz	2
7	06114005	SEAL DUST		pz	2
8	06765005	ELEMENT AIR CLEANER		pz	1
9	06619005	PLUG SPARK (NGK LMAR8E-J)		pz	1
10	06746005	FILTRO OLIO		pz	1
11	06748005	O-RING		pz	1
12	06869005	PLATE FRICTION		pz	6
13	06866005	PLATE, CLUTCH 2		pz	7
14	06865005	PLATE FRICTION		pz	2
15	05960005	PINION Z13		pz	1
16	06268005	CHAIN 520 114 LINKS WITH MASTER JOINT		pz	1
17	08128005	SPOCKET		pz	1
18	09225020	KIT MINUTERIE OFF-ROAD		pz	1



#	Code	Description	Specification	UM	Qty
1	07437005	OFF-ROAD KNOB PAIR		pz	1
2	06323005	LEVER 2		pz	1
3	07110005	LEVER 1		pz	1
4	07407005	REAR-VIEW MIRROR E-141 WITH IRON CLAMP		pz	2
5	07364005	KIT FORK GUARD XEF	XEF	pz	1
7	07659005	HEADLIGHT FAIRING XE/XEF		pz	1
8	02163005	HANDGUARD (WHITE) WITHOUT STICKER		pz	1
9	05121005	DIRECTION INDICATOR FRONT LH / REAR RH	XEF	pz	2
10	05120005	DIRECTION INDICATOR FRONT RH / REAR LH	XEF	pz	2
11	08335005	FRONT FENDER OFF-ROAD WHITE		pz	1
12	07357005	SIDE FAIRING		pz	1
13	07356005	SIDE FAIRING		pz	1
14	07359005	SIDE FAIRING		pz	1
15	07358005	SIDE FAIRING		pz	1
16	07360005	MUDGUARD		pz	1
17	07368005	LICENSE PLATE		pz	1
18	07082005	PEDANA DESTRA		pz	1
19	07081005	PEDANA SINISTRA		pz	1
20	07078005	PEDAL BRAKE		pz	1
21	06925005	SHIFT PEDAL ASSY		pz	1