



Spare parts catalogue
XX 125 EVO MY22

Index

Models	4
Telaio	6
Swingarm	9
Rear Shock Absorber	11
Steering plates	13
Front Fork	15
Front Wheel	17
Rear Wheel	19
Front Brake	21
Rear Brake	23
Radiator	26
Fuel tank	28
Aspiration	30
Exhaust	32
Handlebar - Controls	34
Front Bodywork	36
Rear Bodywork	38
Electrical circuit	40
Booklets - Decalco	42
Crankcase	44
Crankcase Covers	46
Motor shaft - Piston	48
Head - Cylinder	50
Clutch	52
Water pump	54
Exhaust valve control	56
Shift control	58
Desmodromic	60
Gear Shift	62
Starter	64

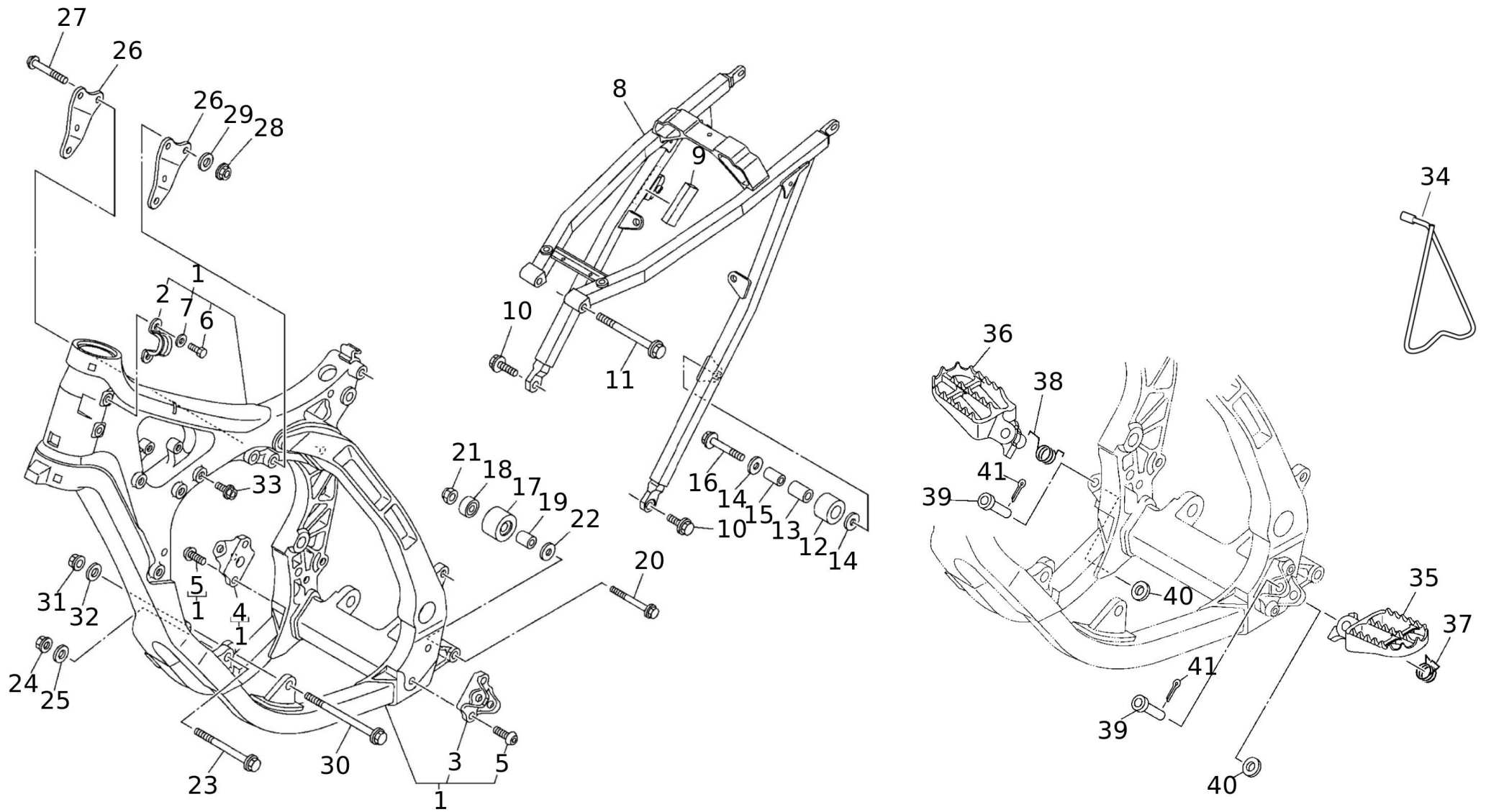
Flywheel	66
Carburetor	68
100 - Suggested Spare Parts 2-Stroke	72
101 - Suggested Spare Parts 2 Stroke	74



XX EVO 125
XX

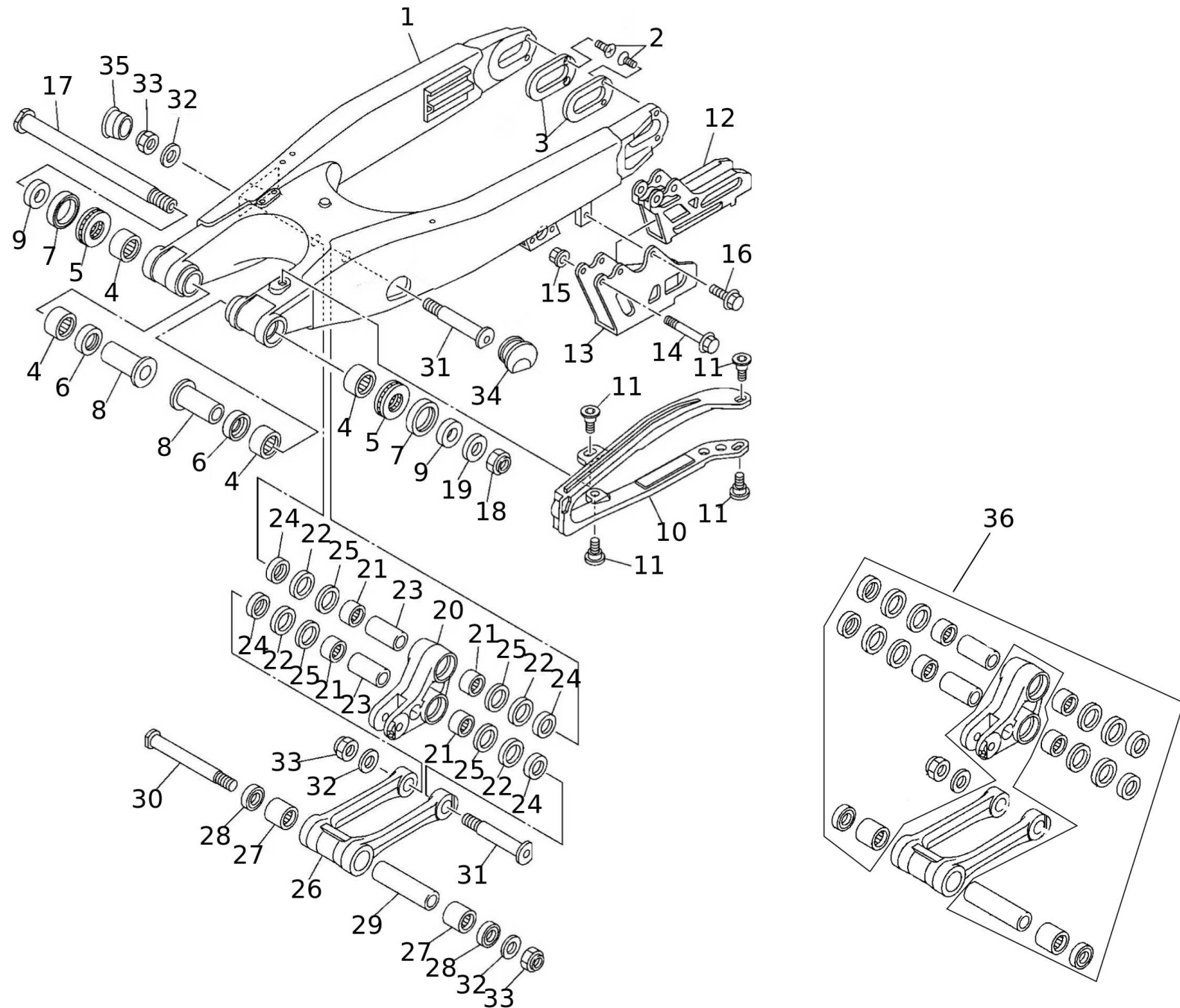
#	Code	Description	Specification	UM	Qty
---	------	-------------	---------------	----	-----



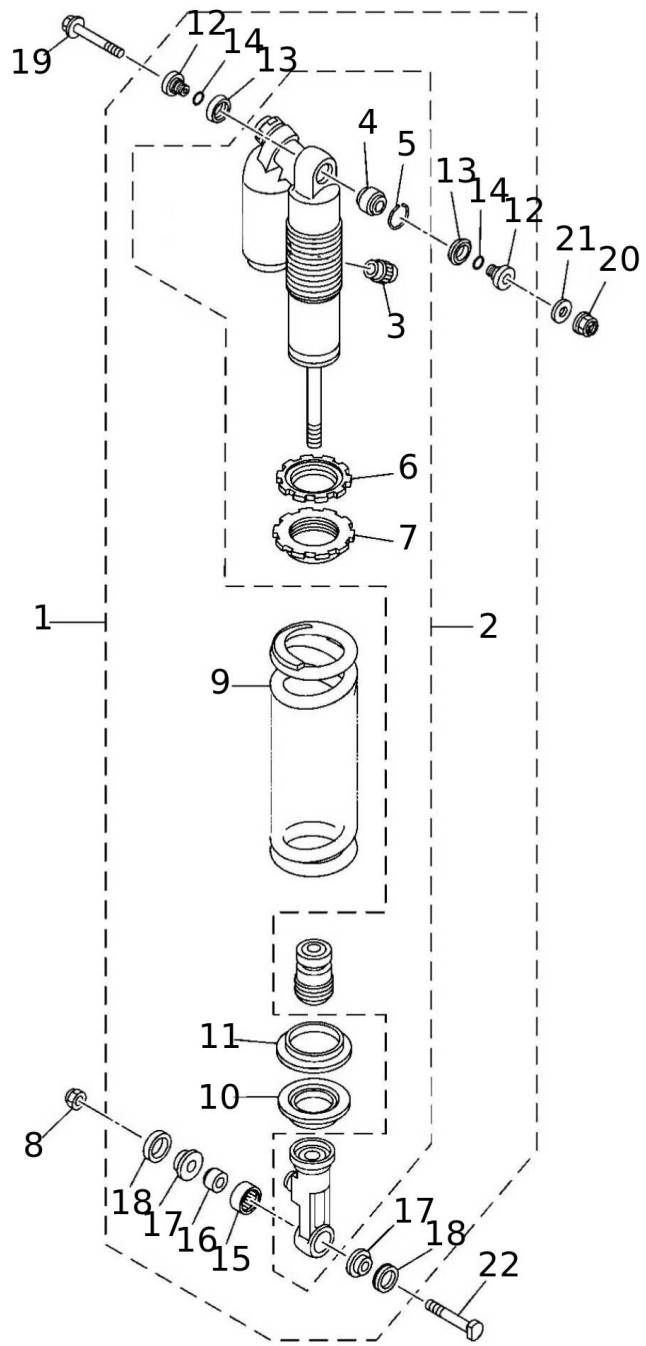


#	Code	Description	Specification	UM	Qty
1	05993005	GRUPPO TELAIO ANTERIORE		pz	1
2	05994005	CLAMP WIRE HARNESS		pz	1
3	05995005	BRACKET FOOTREST		pz	1
4	05996005	BRACKET FOOTREST		pz	1
5	05997005	SCREW		pz	4
6	05998005	BOLT		pz	2
7	05999005	WASHER		pz	2
8	06000005	REAR FRAME COMP.		pz	1
9	06001005	GROMMET		pz	1
10	06002005	BOLT FLANGE		pz	2
11	06003005	BOLT FLANGE		pz	1
12	06004005	TENSIONER		pz	1
13	06005005	BOCCOLA		pz	1
14	06006005	WASHER PLATE		pz	2
15	06007005	BOCCOLA		pz	1
16	06933005	BOLT FLANGE DEEP RECESS		pz	1
17	06009005	TENSIONER		pz	1
18	06010005	BEARING		pz	1
19	06011005	BOCCOLA		pz	1
20	06012005	BOLT FLANGE (SMALL HEAD)		pz	1
21	06013005	NUT SELF-LOCKING		pz	1
22	06014005	WASHER PLATE		pz	1
23	06015005	BOLT FLANGE		pz	1
24	06016005	NUT		pz	1
25	06017005	WASHER		pz	1
26	08662005	BRACKET, REAR UPPER 1		pz	2
27	06019005	BOLT,HEX. SOCKET BUTTON		pz	3
28	06020005	NUT		pz	3
29	06021005	WASHER PLATE		pz	3
30	06022005	BOLT FLANGE		pz	1
31	06016005	NUT		pz	1
32	06017005	WASHER		pz	1
33	06025005	NUT		pz	2
34	06345005	STAND SIDE		pz	1
35	06338005	FOOTREST 1		pz	1
36	06339005	FOOTREST 2		pz	1
37	06340005	MOLLA DI TORSIONE		pz	1
38	06341005	MOLLA DI TORSIONE		pz	1
39	06342005	PIN CLEVIS		pz	2
40	06343005	WASHER PLATE		pz	2

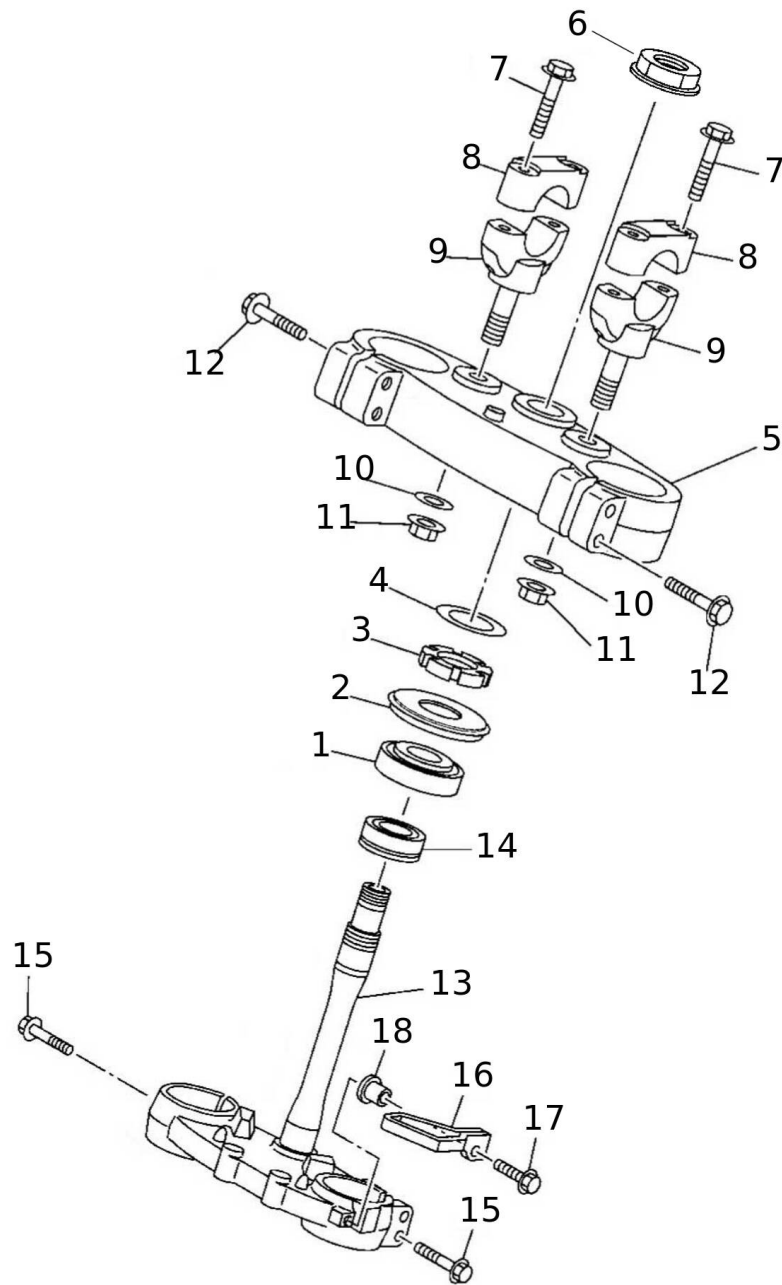
#	Code	Description	Specification	UM	Qty
41	06344005	PIN COTTER		pz	2



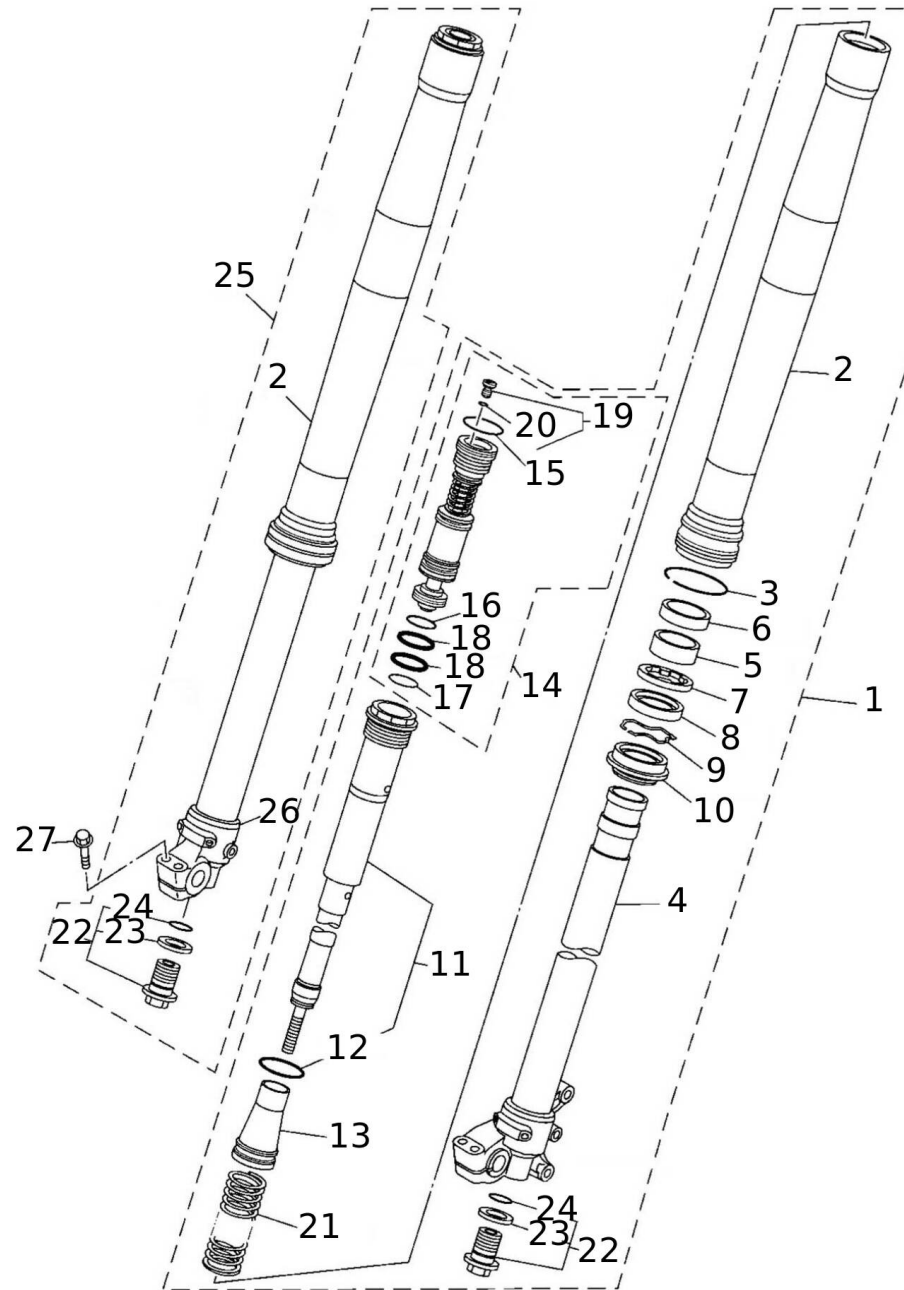
#	Code	Description	Specification	UM	Qty
1	06031005	REAR ARM COMP.		pz	1
2	06032005	SCREW COUNTERSUNK		pz	4
3	06033005	PATCH		pz	2
4	06034005	BEARING		pz	4
5	06035005	BEARING		pz	2
6	06036005	OIL SEAL		pz	2
7	06037005	OIL SEAL		pz	2
8	06038005	BOCCOLA		pz	2
9	06039005	BOCCOLA		pz	2
10	06040005	SEAL GUARD		pz	1
11	06041005	SCREW		pz	4
12	06042005	SUPPORT CHAIN		pz	1
13	06043005	COVER THRUST		pz	1
14	06044005	VITE M6X50 (T.F. 20) TE FLANGIATA		pz	2
15	06045005	NUT		pz	2
16	06617005	BOLT FLANGE DEEP RECESS		pz	1
17	06047005	SHAFT PIVOT		pz	1
18	06048005	NUT SELF-LOCKING		pz	1
19	06049005	WASHER PLATE		pz	1
20	06050005	ARM RELAY		pz	1
21	06051005	BEARING		pz	4
22	06052005	OIL SEAL		pz	4
23	06053005	BOCCOLA		pz	2
24	06054005	WASHER		pz	4
25	06055005	WASHER		pz	4
26	06056005	ROD CONNECTING 1		pz	1
27	06051005	BEARING		pz	2
28	06058005	OIL SEAL		pz	2
29	06059005	BOCCOLA		pz	1
30	06060005	SHAFT 1		pz	1
31	06061005	SHAFT 2		pz	2
32	06062005	WASHER		pz	3
33	06063005	NUT SELF-LOCKING		pz	3
34	06064005	COVER		pz	1
35	06065005	COVER 2		pz	1
36	09466005	KIT REVISIONE BIELLISMO		pz	1



#	Code	Description	Specification	UM	Qty
1	08704005	SHOCK ABSORBER ASSY, REAR		pz	1
2	09290005	DAMPER SUB ASSY		pz	1
3	06069005	CAP AIR VALVE		pz	1
4	06070005	BUSH SHOCK ABSORBER		pz	1
5	06071005	CIRCLIP		pz	1
6	06072005	GUIDE SPRING		pz	1
7	09465005	GHIERA AMMORTIZZATORE		pz	1
8	06089005	NUT SELF-LOCKING		pz	1
9	06075005	REAR SHOCK SPRING (K=46N/MM)	Accessory	pz	1
9	06401005	REAR SHOCK SPRING (K=42N/MM)	Accessory	pz	1
9	06402005	REAR SHOCK SPRING (K=44N/MM)	Accessory	pz	1
9	06403005	REAR SHOCK SPRING (K=48N/MM)	STD	pz	1
9	06404005	REAR SHOCK SPRING (K=50N/MM)	Accessory	pz	1
9	06405005	REAR SHOCK SPRING (K=52N/MM)	Accessory	pz	1
9	06406005	REAR SHOCK SPRING (K=54N/MM)	Accessory	pz	1
9	06407005	REAR SHOCK SPRING (K=56N/MM)	Accessory	pz	1
9	06408005	SPRING (K=APPROX.44N/MM)	Accessory	pz	1
9	06409005	SPRING (K=APPROX.46N/MM)	Accessory	pz	1
9	06410005	SPRING (K=APPROX.48N/MM)	Accessory	pz	1
9	06411005	SPRING (K=APPROX.50N/MM)	Accessory	pz	1
9	06412005	SPRING (K=APPROX.52N/MM)	Accessory	pz	1
9	06413005	SPRING (K=APPROX.54N/MM)	Accessory	pz	1
9	06414005	SPRING (K=APPROX.56N/MM)	Accessory	pz	1
10	06076005	GUIDE SPRING 1		pz	1
11	06077005	GUIDE SPRING 2		pz	1
12	06078005	COLLAR DISTANCE		pz	2
13	06079005	SEAL, DUST		pz	2
14	06080005	SEAL RING		pz	2
15	06081005	BEARING		pz	1
16	06082005	BEARING		pz	1
17	06083005	COLLAR DISTANCE		pz	2
18	06084005	SEAL, DUST		pz	2
19	06085005	BOLT		pz	1
20	06086005	NUT S/L FLANGE		pz	1
21	06017005	WASHER		pz	1
22	06088005	BOLT		pz	1

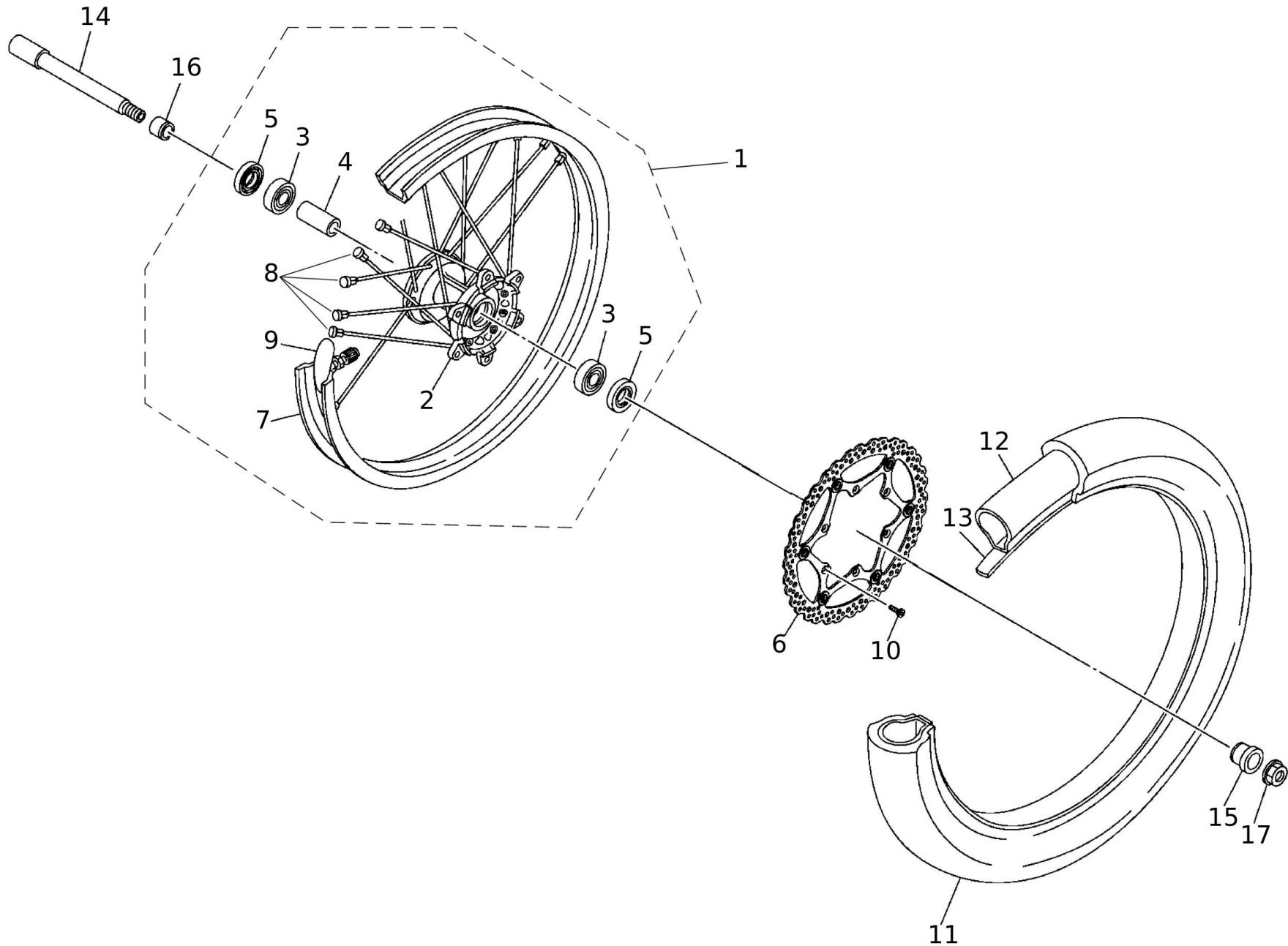


#	Code	Description	Specification	UM	Qty
1	06093005	BEARING		pz	1
2	06094005	COVER BALL RACE 2		pz	1
3	06999005	NUT		pz	1
4	06096005	WASHER PLATE (T1.0)		pz	1
5	06097005	PIASTRA DI STERZO SUPERIORE		pz	1
6	07002005	NUT		pz	1
7	08541005	VITE M8x30 FLANGIA 14.5 (CH. 10) INCASSO PROFONDO		pz	4
8	08533005	SUPPORTO SUPERIORE MANUBRIO		pz	2
9	06101005	SUPPORTO INFERIORE MANUBRIO		pz	2
10	06102005	WASHER PLATE		pz	2
11	06103005	NUT SELF-LOCKING		pz	2
12	06812005	BOLT FLANGE DEEP RECESS		pz	4
13	06153005	UNDER BRACKET COMP.		pz	1
14	06154005	BEARING		pz	1
15	07007005	BOLT FLANGE DEEP RECESS		pz	4
16	07520005	GUIDE, CABLE		pz	1
17	06749005	BOLT FLANGE DEEP RECESS		pz	1
18	06158005	BOCCOLA		pz	1

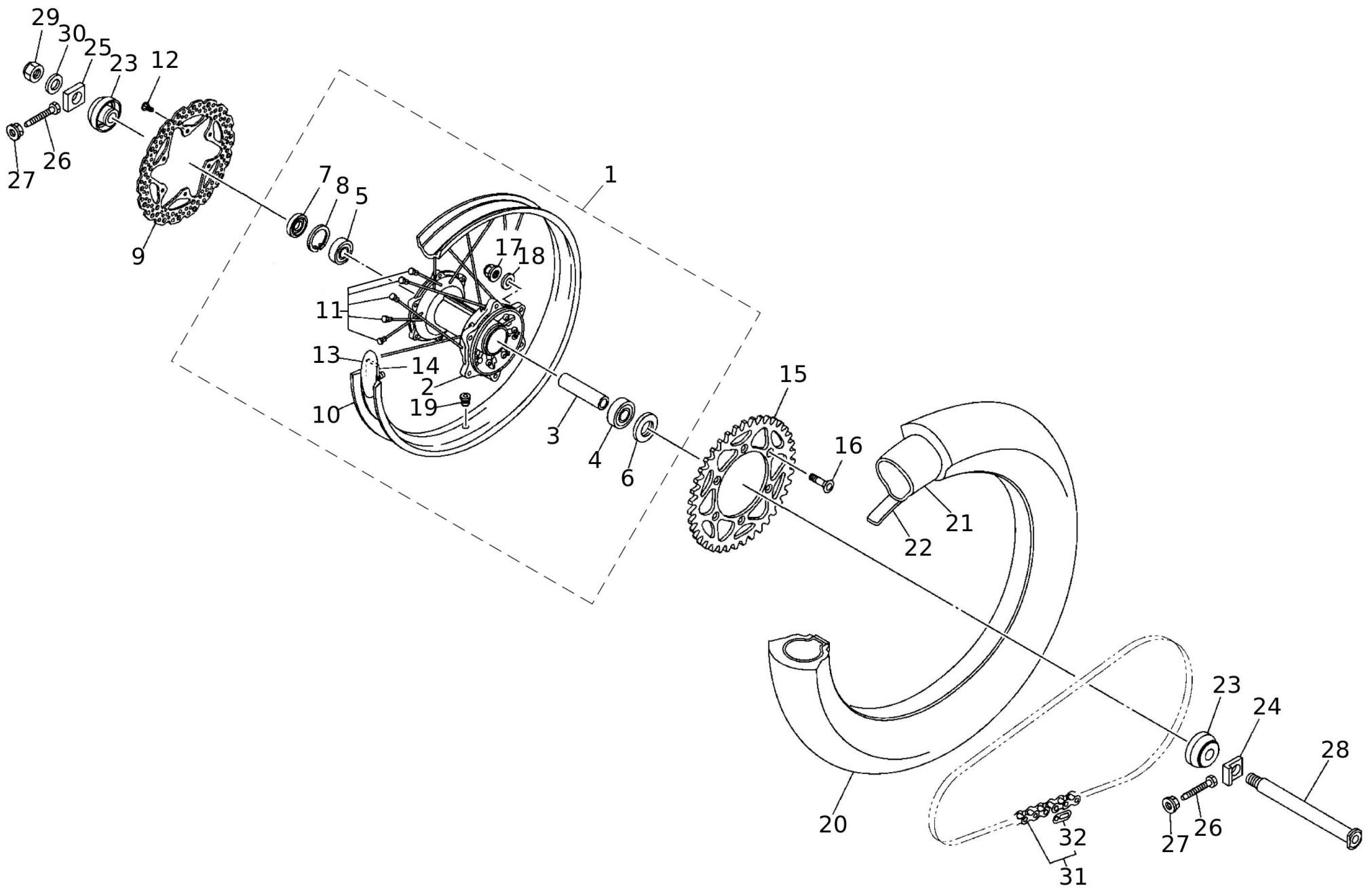


Front Fork

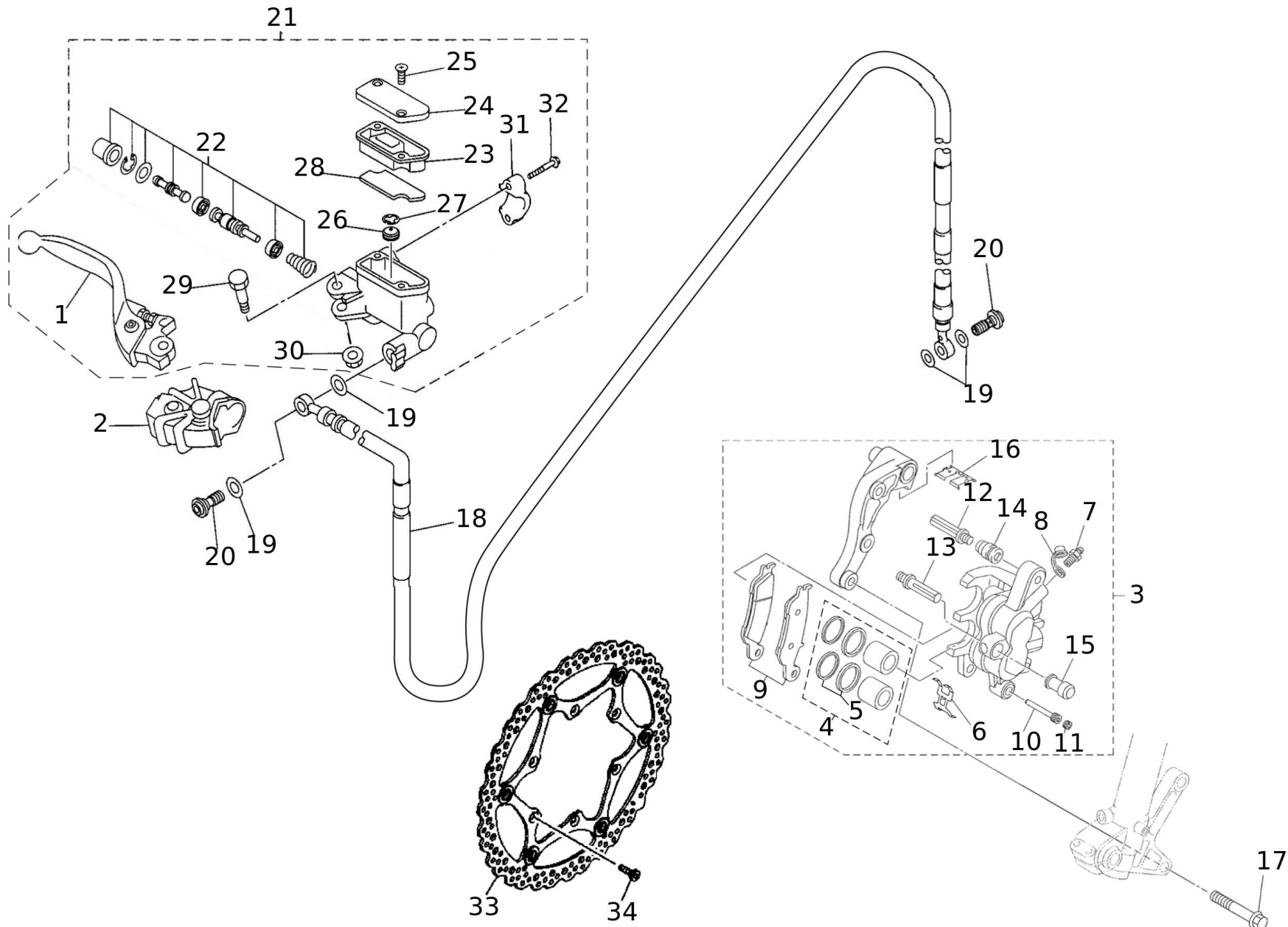
#	Code	Description	Specification	UM	Qty
1	08709005	FR. FORK SUB-ASSY, XX125 MY 22		pz	1
2	06106005	.TUBE, OUTER		pz	2
3	06107005	CIRCLIP		pz	2
4	09288005	FRONT FORK ASSY LEFT		pz	1
5	06109005	SPACER FRONT FORK		pz	2
6	06110005	METAL SLIDE 1		pz	2
7	06111005	WASHER, OIL SEAL		pz	2
8	07011005	OIL SEAL		pz	2
9	06113005	RING SNAP		pz	2
10	06114005	SEAL DUST		pz	2
11	09464005	CYLINDER COMP., FRONT FORK		pz	2
12	09192005	O-RING		pz	2
13	06117005	SEAT SPRING UPPER		pz	2
14	09467005	VALVE COMP.		pz	2
15	09194005	O-RING		pz	2
16	06120005	O-RING		pz	2
17	06121005	O-RING		pz	2
18	09195005	O-RING		pz	4
19	06123005	AIR VALVE COMP.		pz	2
20	09198005	O-RING		pz	2
21	07015005	SPRING FRONT FORK (K=4.6)	Accessory	pz	2
21	07148005	SPRING FRONT FORK (K=4.5)	Accessory	pz	2
21	07149005	SPRING FRONT FORK (K=4.7)	Accessory	pz	2
21	07150005	SPRING FRONT FORK (K=4.8)	Accessory	pz	2
21	07151005	SPRING FRONT FORK (K=4.9)	Accessory	pz	2
21	07152005	SPRING FRONT FORK (K=5.0)	Accessory	pz	2
21	07153005	SPRING FRONT FORK (K=5.1)	Accessory	pz	2
21	07154005	SPRING FRONT FORK (K=4.1)	Accessory	pz	2
21	07155005	SPRING FRONT FORK (K=4.2)	STD	pz	2
21	07156005	SPRING FRONT FORK (K=4.3)	Accessory	pz	2
21	07157005	SPRING FRONT FORK (K=4.4)	Accessory	pz	2
22	09199005	VITE DI REGOLAZIONE		pz	2
23	06127005	GASKET		pz	2
24	09200005	GASKET		pz	2
25	09289005	FRONT FORK ASSY RIGHT		pz	1
26	06106005	.TUBE, OUTER		pz	1
27	07007005	BOLT FLANGE DEEP RECESS		pz	4



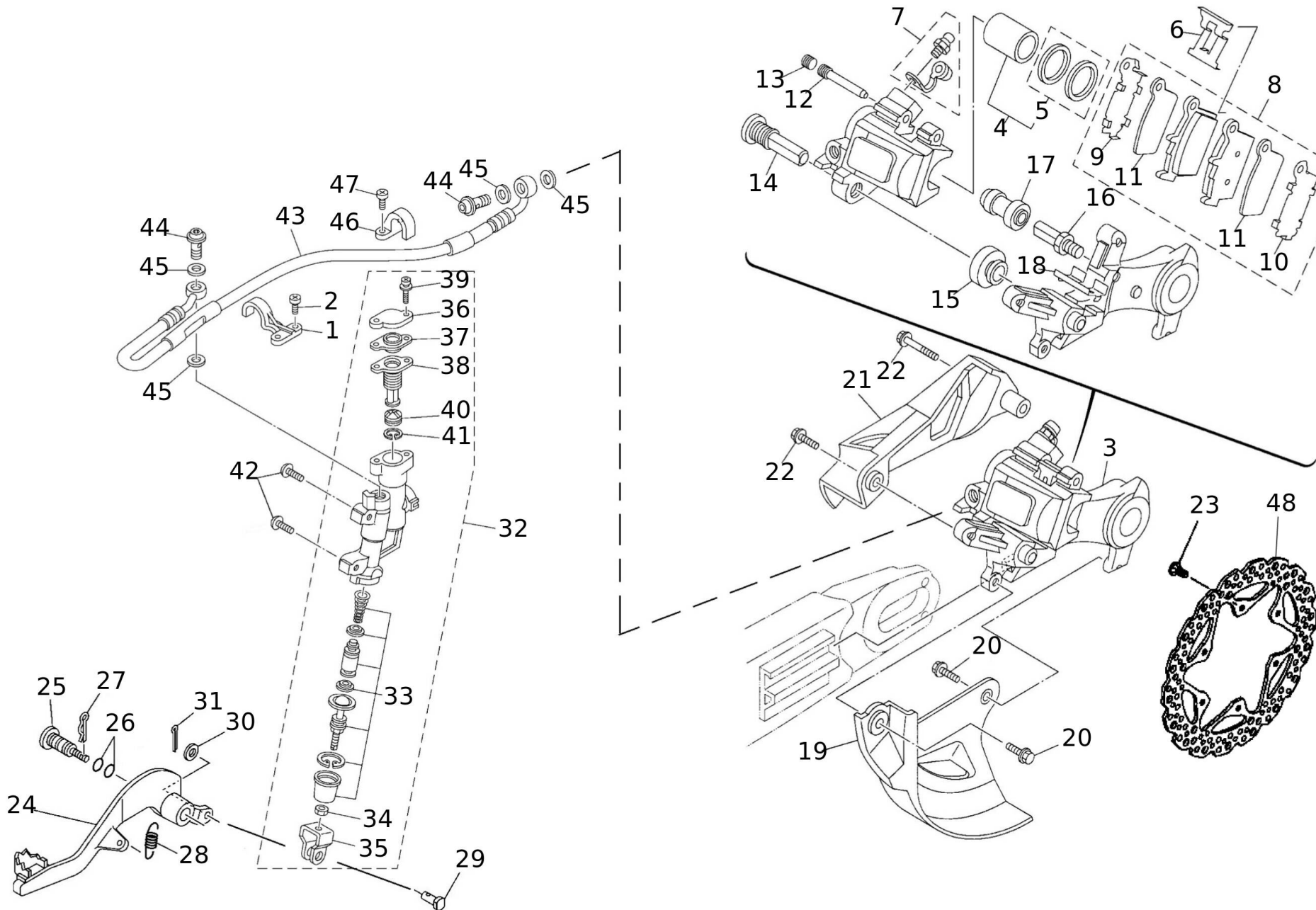
#	Code	Description	Specification	UM	Qty
1	09059020	FR. RIM XX/XE 125 ASSY		pz	1
2	06196005	HUB FRONT		pz	1
3	06197005	BEARING		pz	2
4	06198005	SPACER, BEARING		pz	1
5	06199005	OIL SEAL		pz	2
6	07547005	GRUPPO DISCO FRENO		pz	1
7	08131005	RIM (1.60-21)		pz	1
8	06201005	SPOKE SET FRONT		pz	1
9	06205005	SPACER BEAD		pz	1
10	06212005	SCREW COUNTERSUNK		pz	6
11	08438005	PNEUMATICO 80/100-21 MX32 MID SOFT		pz	1
12	00234005	INNER TUBE-FRONT 21" CASA		pz	1
13	07531005	FLAP R21 1430 X 22		pz	1
14	06206005	PERNO RUOTA ANTERIORE		pz	1
15	06207005	COLLAR WHEEL		pz	1
16	06208005	COLLAR WHEEL		pz	1
17	06209005	NUT		pz	1



#	Code	Description	Specification	UM	Qty
1	09060020	RR. RIM XX 125 ASSY		pz	1
2	06228005	MOZZO POSTERIORE		pz	1
3	06229005	SPACER, BEARING		pz	1
4	06230005	BEARING		pz	1
5	06231005	BEARING		pz	1
6	06232005	OIL SEAL		pz	1
7	06233005	OIL SEAL		pz	1
8	06234005	CIRCLIP		pz	1
9	07548005	DISCO FRENO POSTERIORE 2		pz	1
10	08133005	RIM (1.85-19)		pz	1
11	06236005	SET RAGGI POSTERIORE 19"		pz	1
12	06212005	SCREW COUNTERSUNK		pz	6
13	06240005	SPACER BEAD		pz	1
14	06241005	DAMPER SUB ASSY		pz	1
15	06242005	SPROCKET DRIVEN (48T)	Accessory	pz	1
15	06243005	SPROCKET DRIVEN (47T)	Accessory	pz	1
15	06247005	SPROCKET DRIVEN (52T)	Accessory	pz	1
15	08468001	CORONA POST 51D MY22	Accessory	pz	1
15	08696005	CORONA POST Z 50 MY22	Accessory	pz	1
15	08697005	CORONA POST 49D MY22	STD	pz	1
16	06248005	BOLT		pz	6
17	06249005	NUT SELF-LOCKING		pz	6
18	06014005	WASHER PLATE		pz	6
19	06251005	GROMMET		pz	1
20	08439005	PNEUMATICO 100/90-19 MX32 MID SOFT		pz	1
21	08452005	CAMERA ARIA 100/90-19 120/80-19		pz	1
22	07529005	FLAP R19 1370 X 25		pz	1
23	06252005	COLLAR ASSY		pz	2
24	06253005	PULLER, CHAIN 1		pz	1
25	06254005	PULLER, CHAIN 2		pz	1
26	06255005	BOLT		pz	2
27	05627005	NUT		pz	2
28	06257005	PERNO RUOTA POSTERIORE		pz	1
29	06258005	NUT SELF-LOCKING		pz	1
30	06259005	WASHER PLATE		pz	1
31	09468005	CATENA DID520DMS 112 CON FALSAMAGLIA		pz	1
32	08713005	JOINT, CHAIN(DID520DM G&B-RJ)		pz	1

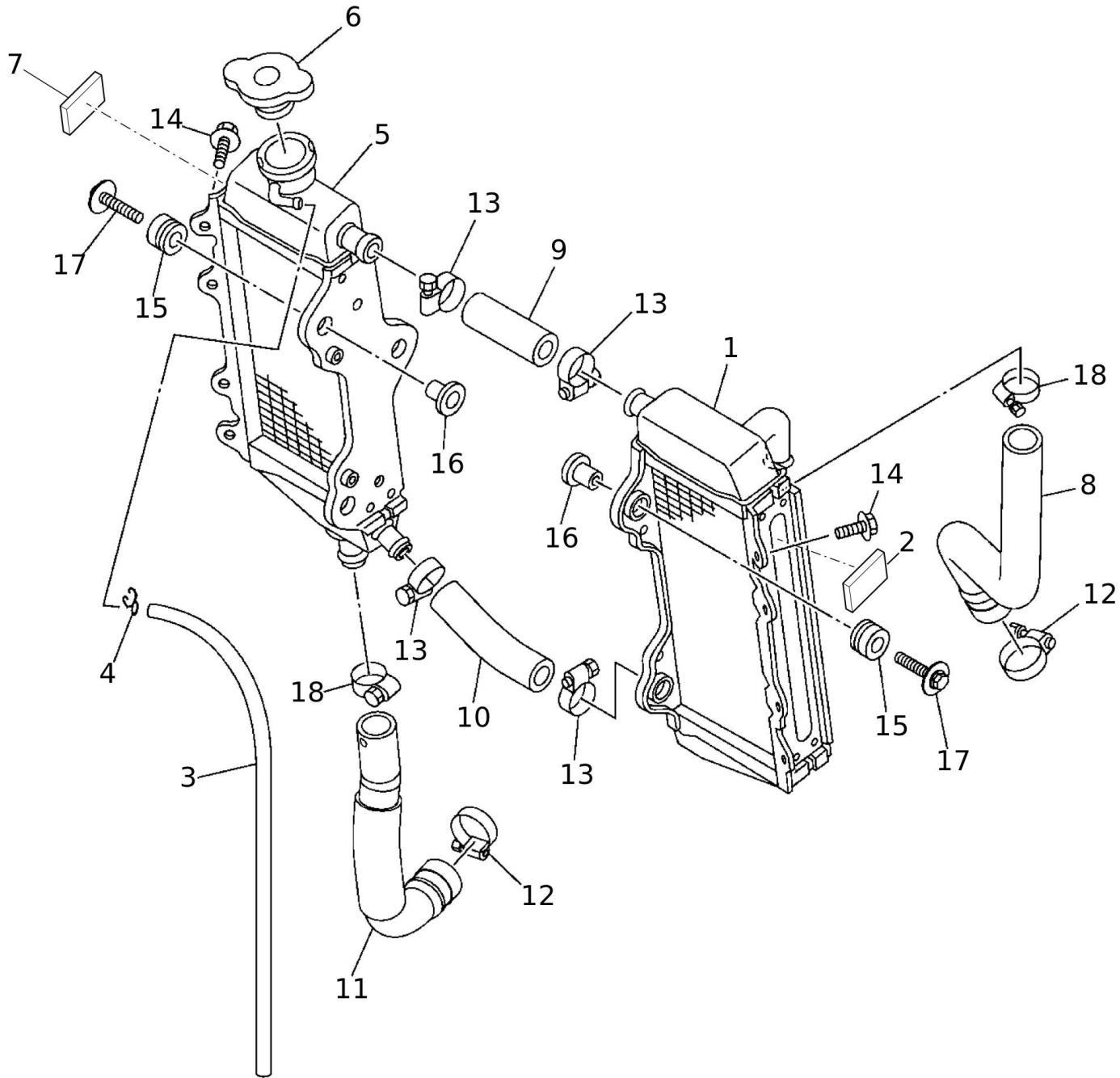


#	Code	Description	Specification	UM	Qty
1	08740005	LEVA FRENO ANT.		pz	1
2	06328005	COVER HANDLE LEVER 1		pz	1
3	08428005	ASSIEME PINZA FRENO ANT		pz	1
4	08426001	PISTON ASSY CALIPER		pz	1
5	08460001	CALIPER SEAL KIT		pz	1
6	08462001	SUPPORT PAD		pz	1
7	06217005	SCREW BLEED		pz	1
8	06218005	CAP		pz	1
9	08739005	PASTIGLIE FRENO ANT		pz	1
10	06220005	PIN PAD		pz	1
11	06221005	PLUG		pz	1
12	06222005	VITE		pz	1
13	06223005	PIN		pz	1
14	06224005	BOOT CALIPER		pz	1
15	06225005	BOOT 2		pz	1
16	06226005	SUPPORT PAD		pz	1
17	06227005	BOLT FLANGE		pz	2
18	06312005	TUBO FRENO 1		pz	1
19	06313005	GASKET		pz	4
20	06314005	BOLT, UNION		pz	2
21	09075020	FR. MASTER CYLINDER ASSY XX MY22		pz	1
22	06316005	CYLINDER KIT MASTER		pz	1
23	06317005	DIAFRAMMA SERBATOIO		pz	1
24	06318005	CAP RESERVOIR		pz	1
25	06319005	SCREW FLAT HEAD		pz	2
26	06320005	SEPARATOR ASSY		pz	1
27	06321005	CIRCLIP		pz	1
28	06322005	FLOAT RESERVOIR		pz	1
29	06324005	BOLT LEVER		pz	1
30	06325005	NUT WITH WASHER		pz	1
31	06326005	BRACKET MASTER CYLINDER		pz	1
32	06327005	BOLT FITTING		pz	2
33	07547005	GRUPPO DISCO FRENO		pz	1
34	06212005	SCREW COUNTERSUNK		pz	6

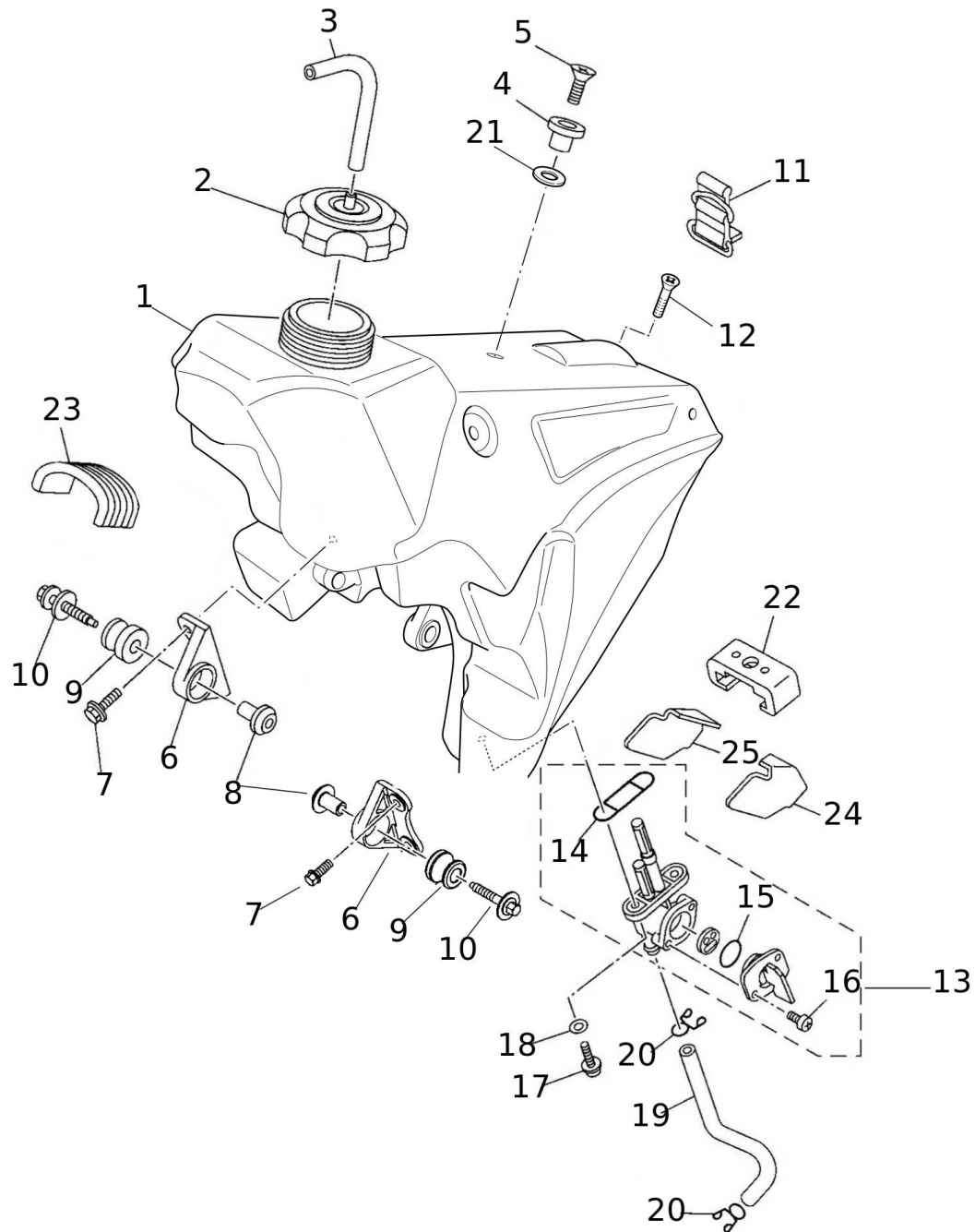


#	Code	Description	Specification	UM	Qty
1	06370005	HOLDER BRAKE HOSE 2		pz	1
2	06369005	SCREW PAN HEAD		pz	2
3	08658005	CALIPER ASSY, REAR 2		pz	1
4	06273005	PISTON ASSY CALIPER		pz	1
5	06274005	CALIPER SEAL KIT		pz	1
6	06275005	SUPPORT PAD		pz	1
7	06276005	BLEED SCREW KIT		pz	1
8	06277005	BRAKE PAD KIT 2		pz	1
9	06278005	SHIM CALIPER		pz	1
10	06279005	SHIM CALIPER		pz	1
11	06280005	INSULATOR HEAT		pz	2
12	06281005	PIN PAD		pz	1
13	06221005	PLUG		pz	1
14	06283005	PIN		pz	1
15	06224005	BOOT CALIPER		pz	1
16	06285005	PIN		pz	1
17	06225005	BOOT 2		pz	1
18	06287005	HOLDER		pz	1
19	06288005	PROTECTOR DISK BRAKE		pz	1
20	06722005	BOLT FLANGE DEEP RECESS		pz	2
21	07543005	PROTEZIONE PINZA		pz	1
22	06722005	BOLT FLANGE DEEP RECESS		pz	2
23	06212005	SCREW COUNTERSUNK		pz	6
24	06330005	PEDAL BRAKE		pz	1
25	06331005	BOLT		pz	1
26	06332005	O-RING		pz	2
27	06333005	CIRCLIP		pz	1
28	06334005	SPRING TENSION		pz	1
29	06335005	PIN CLEVIS		pz	1
30	06336005	WASHER PLATE		pz	1
31	06337005	PIN COTTER		pz	1
32	06354005	RR. MASTER CYLINDER ASSY.		pz	1
33	06355005	CYLINDER KIT MASTER		pz	1
34	06356005	NUT		pz	1
35	06357005	JOINT		pz	1
36	06358005	CAP RESERVOIR		pz	1
37	06359005	PLATE DIAPHRAGM		pz	1
38	06360005	DIAFRAMMA SERBATOIO		pz	1
39	06361005	BOLT		pz	2
40	06320005	SEPARATOR ASSY		pz	1

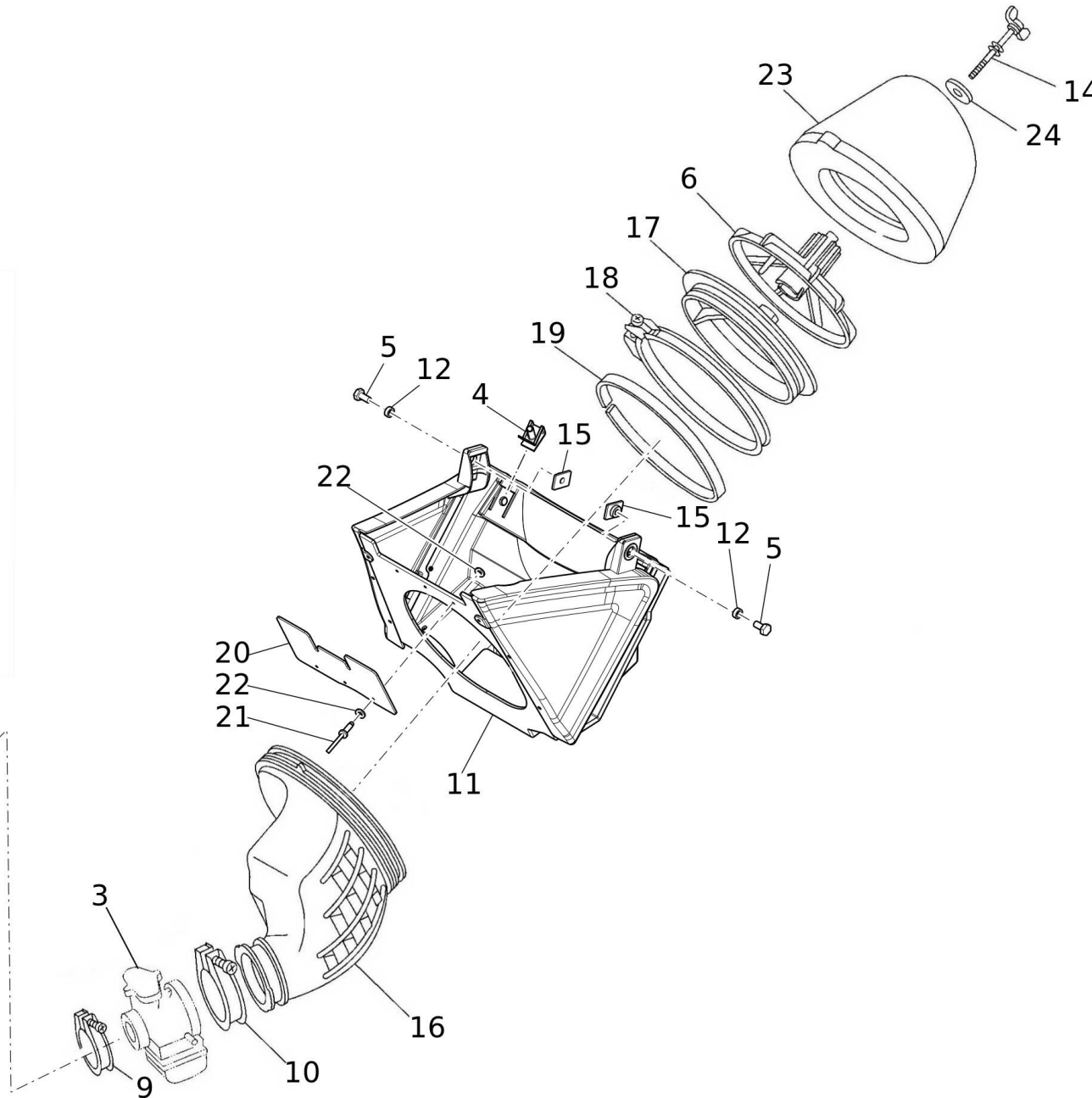
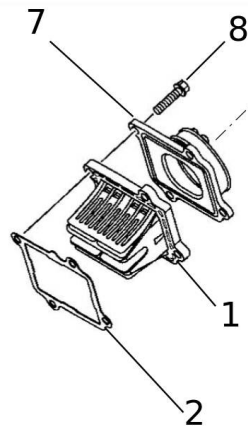
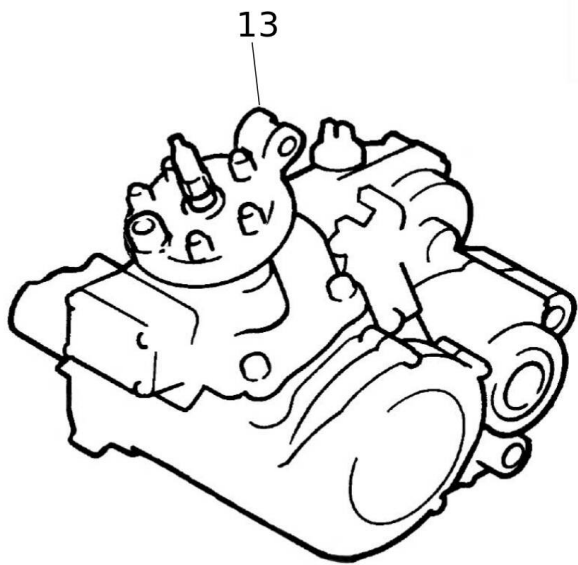
#	Code	Description	Specification	UM	Qty
41	06321005	CIRCLIP		pz	1
42	07091005	BOLT,HEX. SOCKET BUTTON		pz	2
43	07544005	TUBO FRENO 2		pz	1
44	06314005	BOLT, UNION		pz	2
45	06313005	GASKET		pz	4
46	06368005	HOLDER BRAKE HOSE		pz	1
47	06369005	SCREW PAN HEAD		pz	2
48	07548005	DISCO FRENO POSTERIORE 2		pz	1



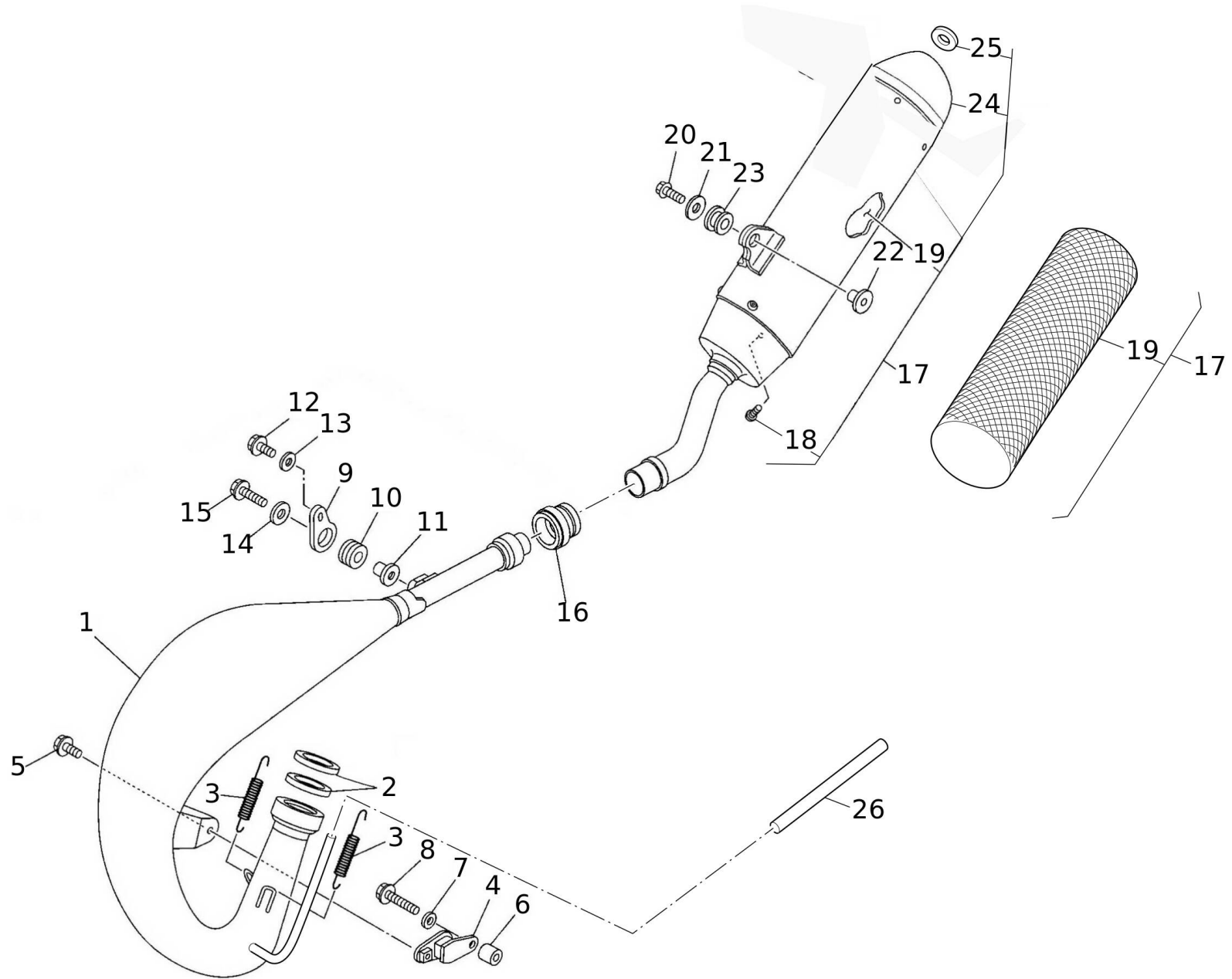
#	Code	Description	Specification	UM	Qty
1	05711005	RADIATOR ASSY		pz	1
2	05712005	DAMPER RADIATOR		pz	1
3	05713005	TUBO FLESSIBILE VINILE		pz	1
4	05714005	CLIP		pz	1
5	05715005	RADIATOR COMP		pz	1
6	05716005	CAP RADIATOR		pz	1
7	05712005	DAMPER RADIATOR		pz	1
8	05718005	HOSE 1		pz	1
9	05719005	TUBO 2		pz	1
10	05720005	HOSE 3		pz	1
11	05721005	TUBO 4		pz	1
12	05722005	HOSE CLAMP ASSY		pz	2
13	05723005	HOSE CLAMP ASSY		pz	4
14	08660005	BOLT, WITH WASHER		pz	2
15	05725005	GROMMET		pz	6
16	05726005	BOCCOLA		pz	6
17	06739005	BOLT WITH WASHER		pz	6
18	05724005	HOSE CLAMP ASSY		pz	2



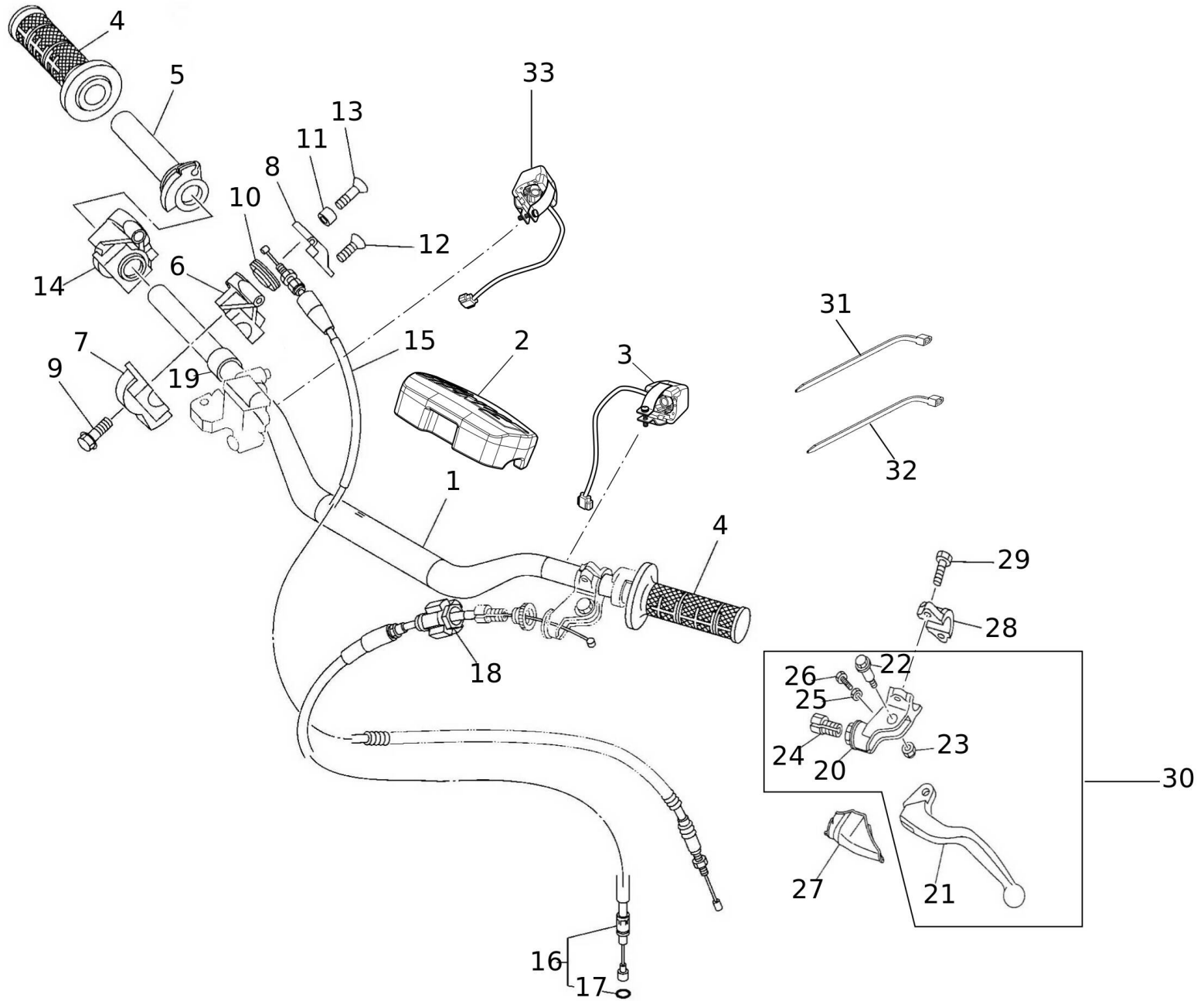
#	Code	Description	Specification	UM	Qty
1	07535005	FUEL TANK XX 2T		pz	1
2	06606005	FUEL TANK CAP XX/XE		pz	1
3	06170005	PIPE		pz	1
4	06186005	BRACKET SEAT		pz	1
5	06187005	SCREW FLAT HEAD		pz	1
6	06171005	HOLDER DAMPER		pz	2
7	06157005	BOLT FLANGE		pz	4
8	06173005	WASHER SPECIAL		pz	2
9	06174005	GROMMET		pz	2
10	06175005	BOLT		pz	2
11	06176005	BAND TANK FITTING 1		pz	1
12	08396005	VITE		pz	1
13	06178005	FUEL COCK ASSY 1		pz	1
14	06179005	GASKET		pz	1
15	06180005	SEAL COCK		pz	1
16	06181005	SCREW PAN HEAD		pz	2
17	06182005	SCREW		pz	2
18	06183005	WASHER PLATE		pz	2
19	07412005	HOSE GREY COPOLAN UML 7 x 12		cm	1
20	07533005	Double wire hose clamp		pz	2
21	00807005	WASHER 6X12		pz	1
22	00807005	WASHER 6X12		pz	1
23	06188005	DAMPER LOCATING 1		pz	1
24	06189005	DAMPER LOCATING 2		pz	1
25	06191005	DAMPER LOCATING 3		pz	1
26	06192005	DAMPER LOCATING 4		pz	1



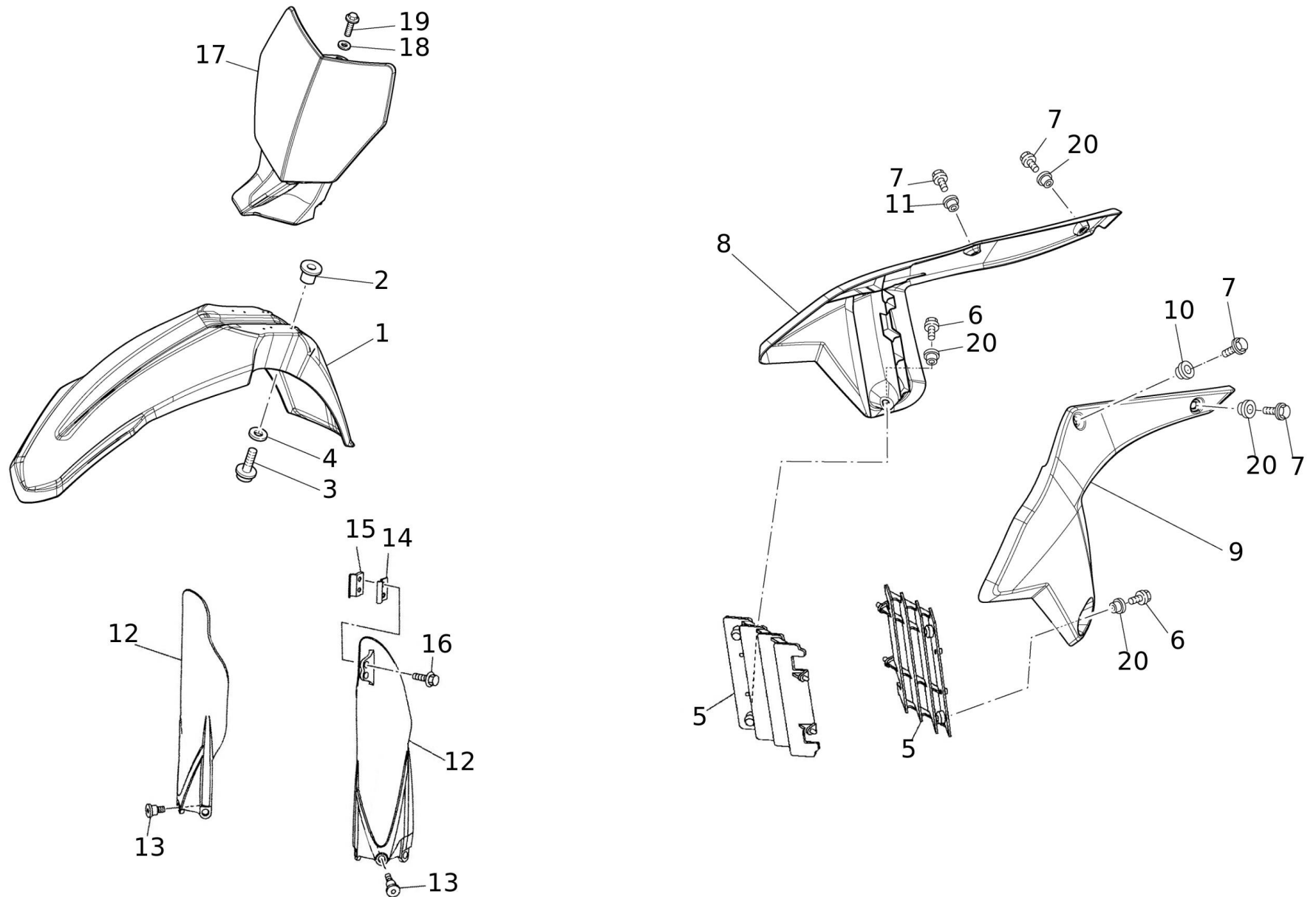
#	Code	Description	Specification	UM	Qty
1	09469005	VALVOLA LAMELLARE XX125		pz	1
2	09470005	GUARNIZIONE VALVOLA LAMELLARE		pz	2
3	08865005	CARBURETOR ASSY PWK38 XX125 MY22		pz	1
4	05757005	NUT SPRING		pz	2
5	05758005	BOLT FLANGE		pz	2
6	05755005	GUIDE		pz	1
7	09471005	COLLETTORE DI ASPIRAZIONE		pz	1
8	06708005	BOLT FLANGE DEEP RECESS		pz	4
9	05738005	HOSE CLAMP ASSY		pz	1
10	05739005	HOSE CLAMP ASSY		pz	1
11	07461020	AIRBOX		pz	1
12	06566005	COLLAR		pz	2
13	07600005	WHOLE ENGINE 125 2T		pz	1
14	05754005	BOLT WING		pz	1
15	06568005	NUT REAR FENDER		pz	2
16	05745005	JOINT, AIR CLEANER 1		pz	1
17	05746005	HOLDER GUIDE		pz	1
18	05747005	HOSE CLAMP ASSY		pz	1
19	05748005	WASHER		pz	1
20	07406005	COVER - AIRBOX XE		pz	1
21	07411005	RIVET UNI 9200A 3X11 BLACK		pz	3
22	02544005	WASHER-GALVANIZED 3		pz	6
23	05752005	ELEMENT AIR CLEANER		pz	1
24	05753005	WASHER		pz	1



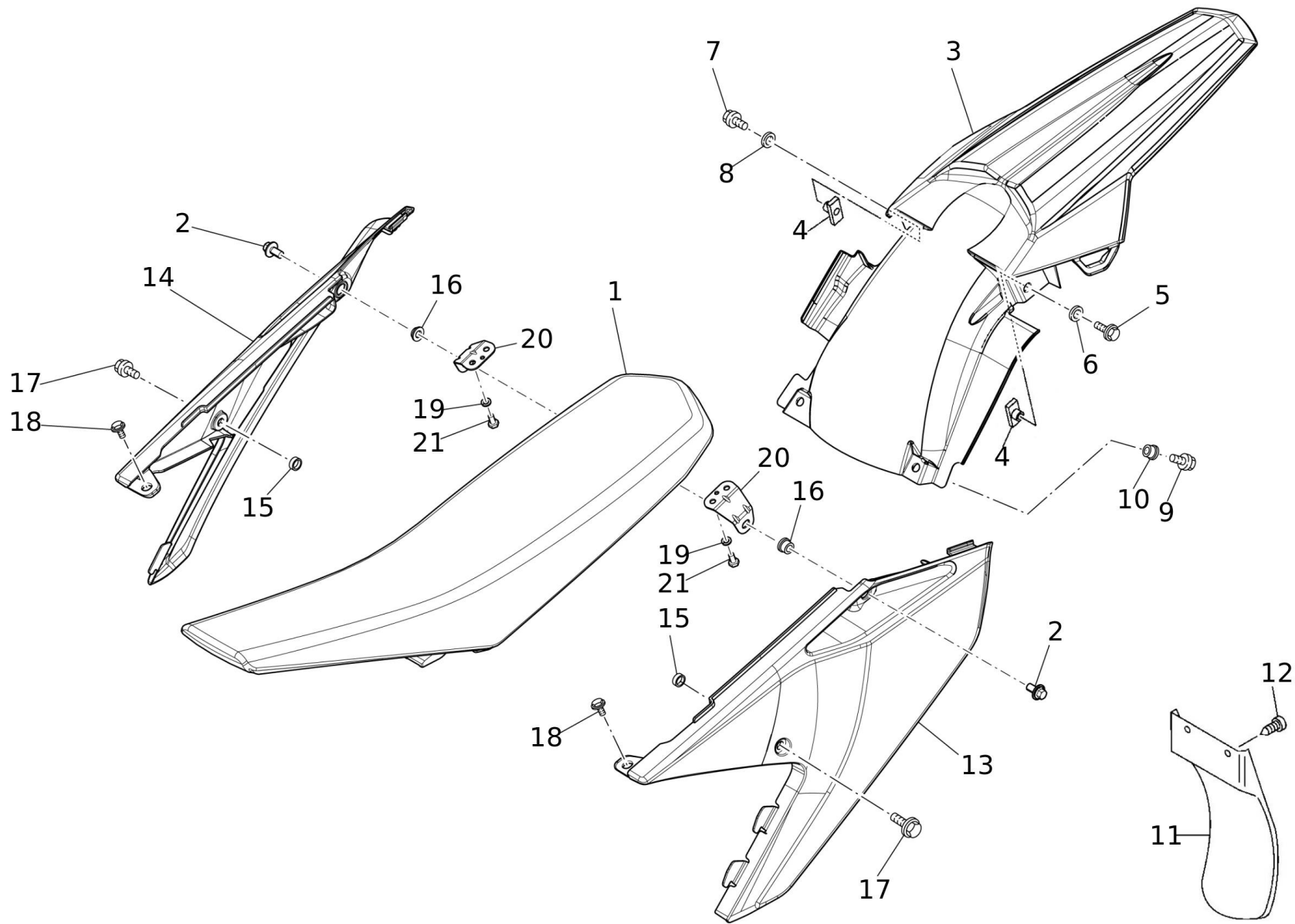
#	Code	Description	Specification	UM	Qty
1	08671005	EXHAUST OFFROAT 125 2T		pz	1
2	08705005	O RING, EXHAUST		pz	2
3	05827005	SPRING TENSION		pz	2
4	09124005	STAY MUFFLER 1		pz	1
5	06722005	BOLT FLANGE DEEP RECESS		pz	1
6	05830005	WASHER		pz	1
7	05831005	WASHER PLATE		pz	1
8	06708005	BOLT FLANGE DEEP RECESS		pz	1
9	08706005	STAY, MUFFLER 2		pz	1
10	05834005	GROMMET		pz	1
11	05835005	BOCCOLA		pz	1
12	08707005	BOLT		pz	1
13	05837005	WASHER PLATE		pz	1
14	05838005	WASHER PLATE		pz	1
15	06708005	BOLT FLANGE DEEP RECESS		pz	1
16	05840005	JOINT EXHAUST		pz	1
17	08672005	SILENCER XX125		pz	1
18	07465005	SCREWES		pz	4
19	07463005	SOUND ABSORBENT		pz	1
20	08542005	BOLT FLANGE DEEP RECESS		pz	1
21	05845005	WASHER PLATE		pz	1
22	08708005	BOCCOLA		pz	1
23	05847005	GROMMET		pz	1
24	07409005	CAP SILENCER XE		pz	1
25	07456005	GASKET		pz	1



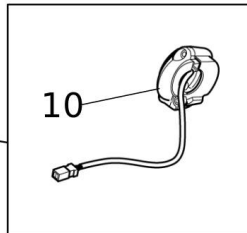
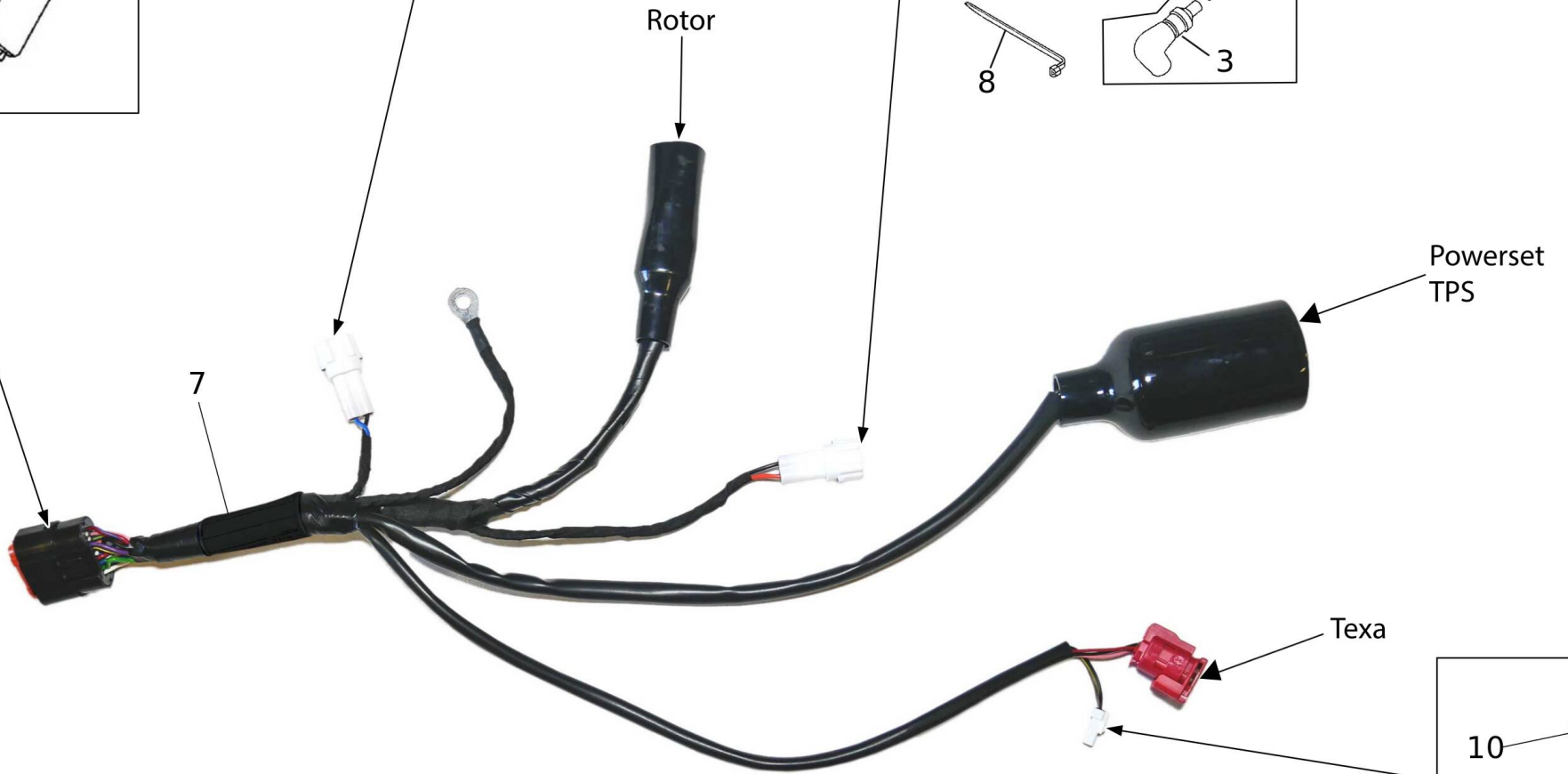
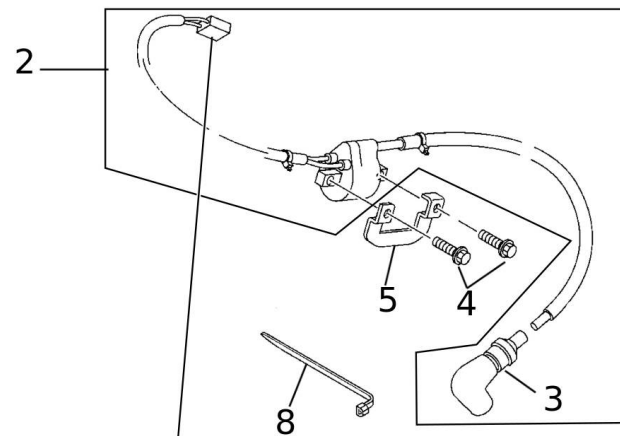
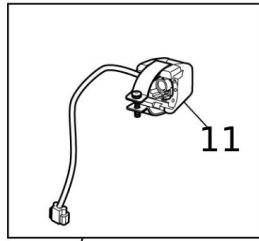
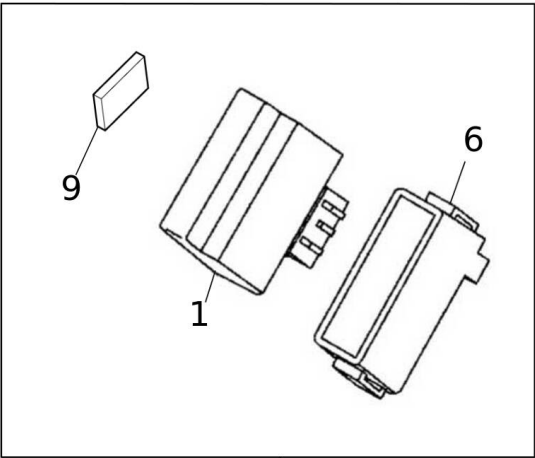
#	Code	Description	Specification	UM	Qty
1	06293005	HANDLEBAR		pz	1
2	07532005	PROTECTOR, HANDLEBAR		pz	1
3	06387005	SWITCH HANDLE 1		pz	1
4	07437005	OFF-ROAD KNOB PAIR		pz	1
5	06297005	TUBE THROTTLE GUIDE		pz	1
6	06298005	CAP GRIP UPPER		pz	1
7	06299005	CAP GRIP UNDER		pz	1
8	06300005	CAP WIRE		pz	1
9	06708005	BOLT FLANGE DEEP RECESS		pz	2
10	06302005	ROTOR		pz	1
11	06303005	BOCCOLA		pz	1
12	06304005	SCREW OVAL HEAD		pz	1
13	06305005	SCREW OVAL HEAD		pz	1
14	06306005	COVER CAP GRIP		pz	1
15	08710005	CABLE, THROTTLE 1		pz	1
16	06308005	CABLE CLUTCH		pz	1
17	06309005	O-RING		pz	1
18	06310005	BOOT CABLE		pz	1
19	06311005	COLLAR		pz	1
20	06377005	HOLDER LEVER 1		pz	1
21	08295005	LEVER 1		pz	1
22	06379005	BOLT		pz	1
23	06380005	NUT LENS FITTING		pz	1
24	06381005	VITE DI REGOLAZIONE		pz	1
25	06382005	NUT HEXAGON		pz	1
26	06383005	BOLT		pz	1
27	06384005	COVER HANDLE LEVER 1		pz	1
28	06385005	HOLDER LEVER LOWER 1		pz	1
29	06726005	BOLT FLANGE DEEP RECESS		pz	2
30	08499020	LEVER HOLDER ASSY, 1		pz	1
31	06388005	FASCETTA		pz	1
32	06389005	FASCETTA 125X7		pz	2
33	08577005	PULSANTE DOPPIA MAPPATURA OFF-ROAD	XXF	pz	1



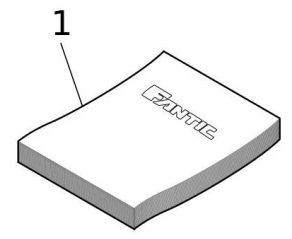
#	Code	Description	Specification	UM	Qty
1	07500005	FRONT FENDER OFF-ROAD WHITE		pz	1
2	08641005	COLLAR		pz	4
3	06598005	BOLT FLANGE		pz	4
4	06599005	WASHER PLATE		pz	4
5	06030005	PANEL 1		pz	2
6	06565005	SCREW WITH WASHER		pz	2
7	06564005	BOLT FLANGE		pz	4
8	07496005	RIGHT SPOILER XX/XE 2T		pz	1
9	07495005	LEFT SPOILER XX/XE		pz	1
10	06562005	COLLAR		pz	1
11	06562005	COLLAR		pz	1
12	07662005	FORK SLIDER PROTECTORS (PAIR)		pz	1
13	06161005	BOLT		pz	6
14	06162005	MORSETTO		pz	1
15	06163005	MORSETTO		pz	1
16	05758005	BOLT FLANGE		pz	2
17	07503005	FRONT PLATE NUMBER OFF-ROAD		pz	1
18	04686005	WASHER		pz	1
19	07433005	6x10 BOLT FLANGE		pz	1
20	07455005	BUSHING		pz	4



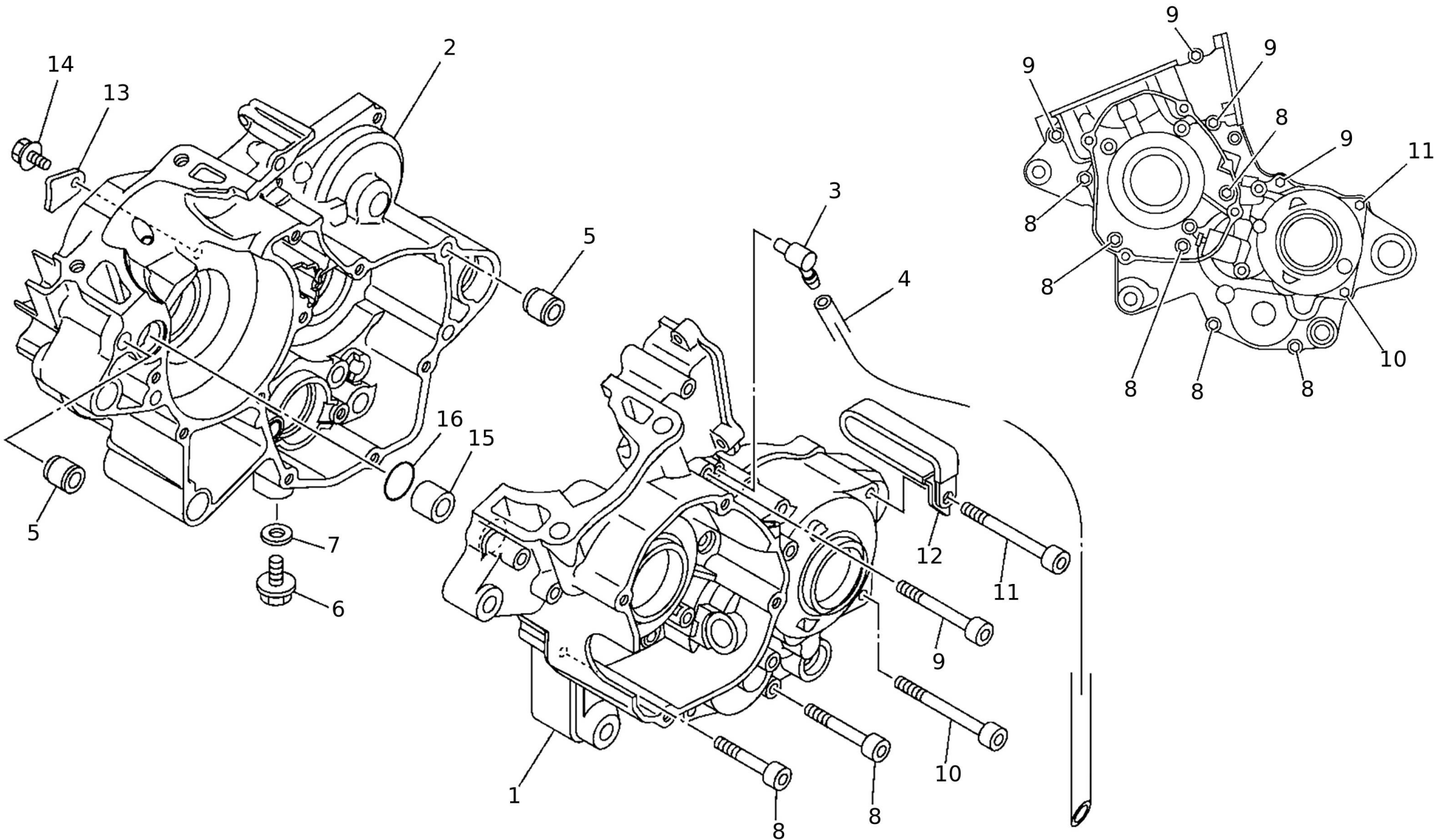
#	Code	Description	Specification	UM	Qty
1	07519005	SEAT W/ BRACKETS XX/XE		pz	1
2	06561005	BOLT WITH WASHER		pz	2
3	07502005	REAR FENDER XX/XE		pz	1
4	06568005	NUT REAR FENDER		pz	2
5	06569005	BOLT FLANGE		pz	1
6	06570005	WASHER PLATE		pz	1
7	06569005	BOLT FLANGE		pz	1
8	06570005	WASHER PLATE		pz	1
9	06573005	BOLT WITH WASHER		pz	2
10	06562005	COLLAR		pz	2
11	08063005	GUARD FLAP		pz	1
12	06600005	SCREW TAPPING		pz	2
13	07497005	LEFT SIDE REAR COVER XX/XE		pz	1
14	07498005	RIGHT SIDE REAR COVER XX/XE		pz	1
15	06558005	COLLAR		pz	2
16	06559005	COLLAR		pz	2
17	06560005	BOLT		pz	2
18	05758005	BOLT FLANGE		pz	2
19	06557005	WASHER SPRING		pz	4
20	06555005	BRACKET SEAT		pz	2
21	06556005	BOLT		pz	4



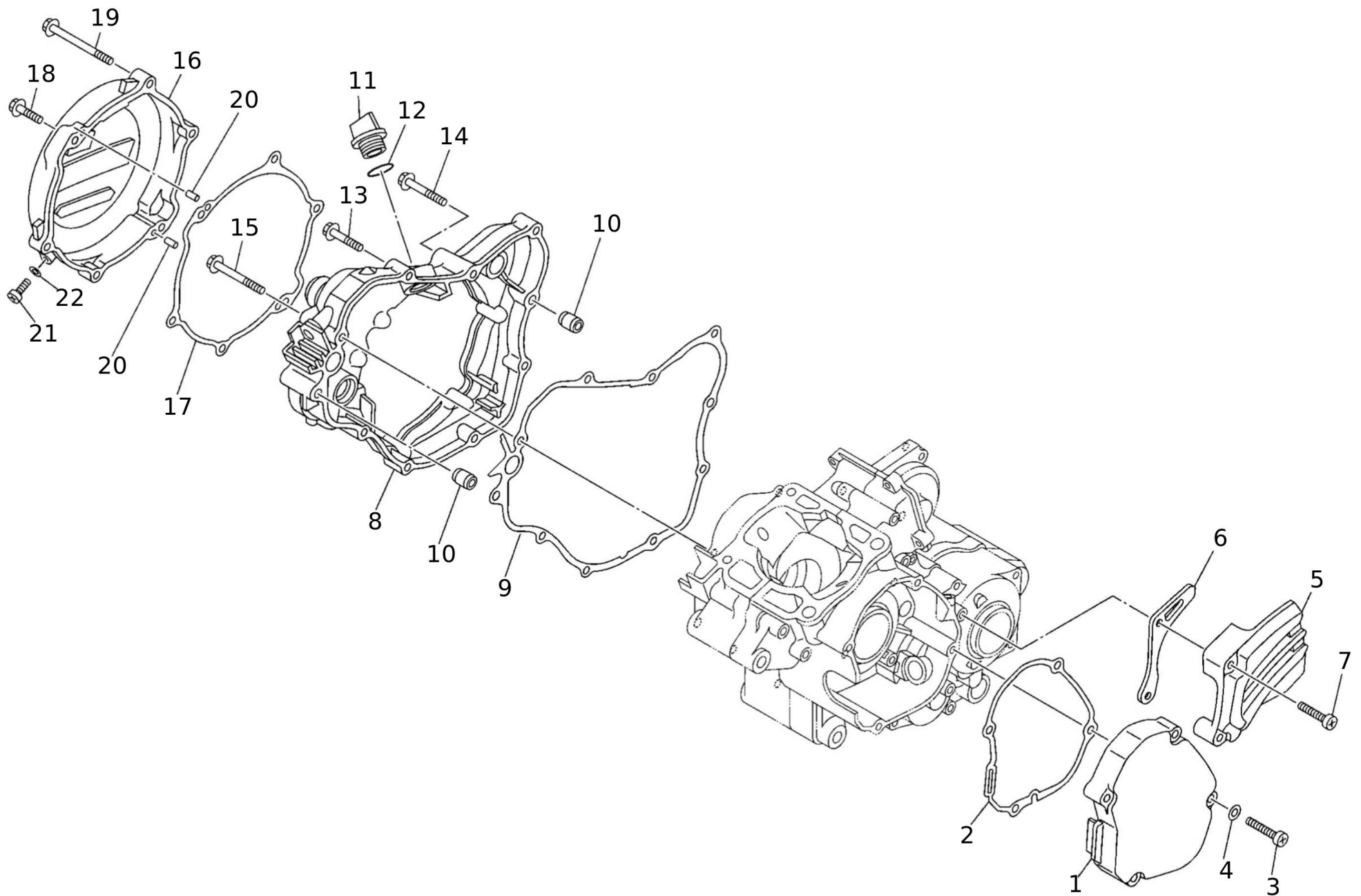
#	Code	Description	Specification	UM	Qty
1	09688020	ECU XX 125		pz	1
2	08711005	IGNITION COIL ASSY		pz	1
3	06391005	PIPETTA CANDELA		pz	1
4	06392005	BOLT FLANGE		pz	2
5	06393005	CORE SIDE		pz	1
6	07410005	GROMMET		pz	1
7	08819005	WIRING XX125 MY22		pz	1
8	06396005	FASCETTA		pz	2
9	06399005	DAMPER SUB ASSY		pz	1
10	08577005	PULSANTE DOPPIA MAPPATURA OFF-ROAD	XXF	pz	1
11	06387005	SWITCH HANDLE 1		pz	1



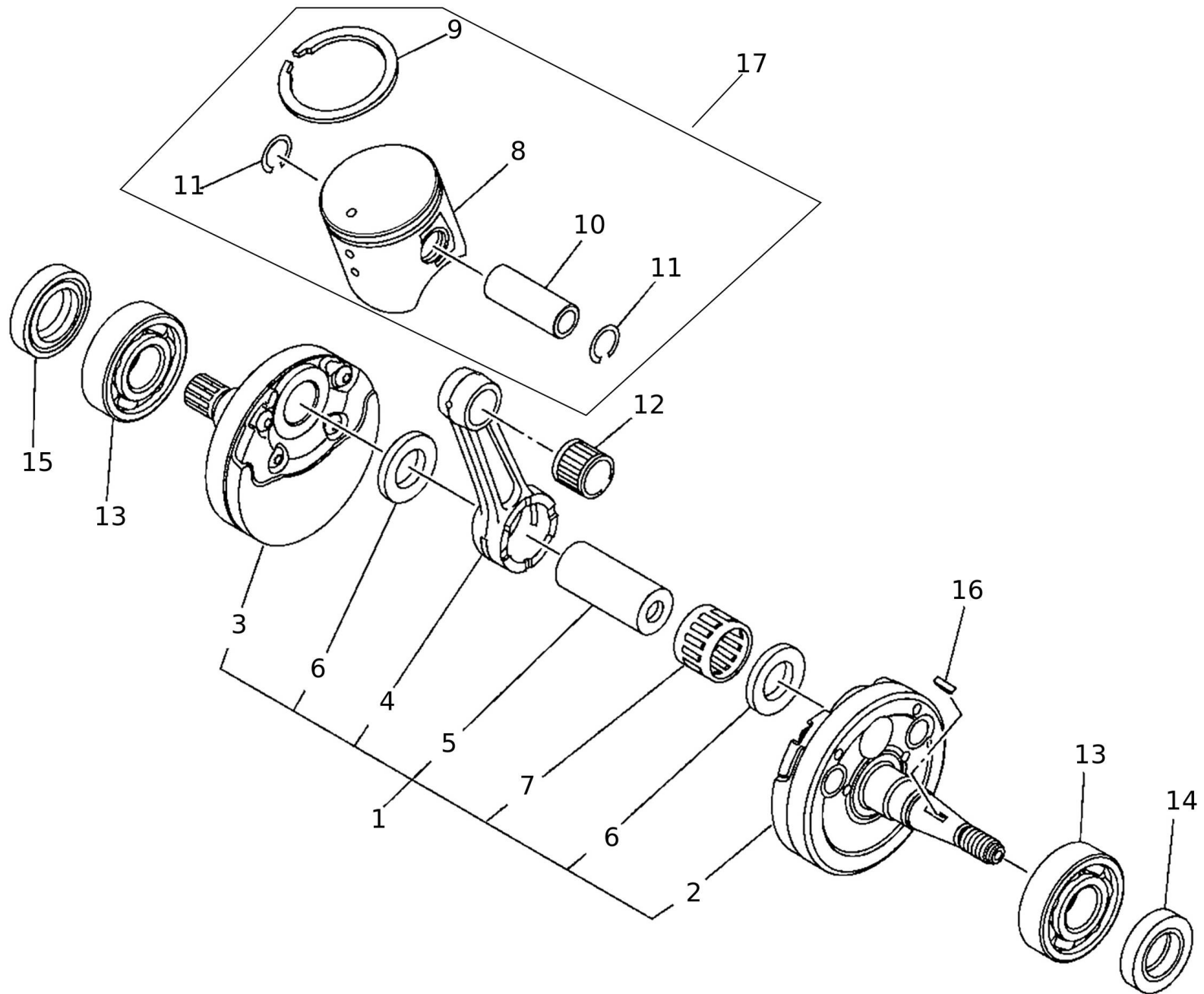
#	Code	Description	Specification	UM	Qty
1	08933005	SERVICE MANUAL 2T		pz	1
2	07439005	STICKER SET XX125 MY21		pz	1
3	08714005	STICKER XX125 MY22		pz	1
4	07525005	STICKER BARDAHL ENGINE CRANKCASE		pz	1



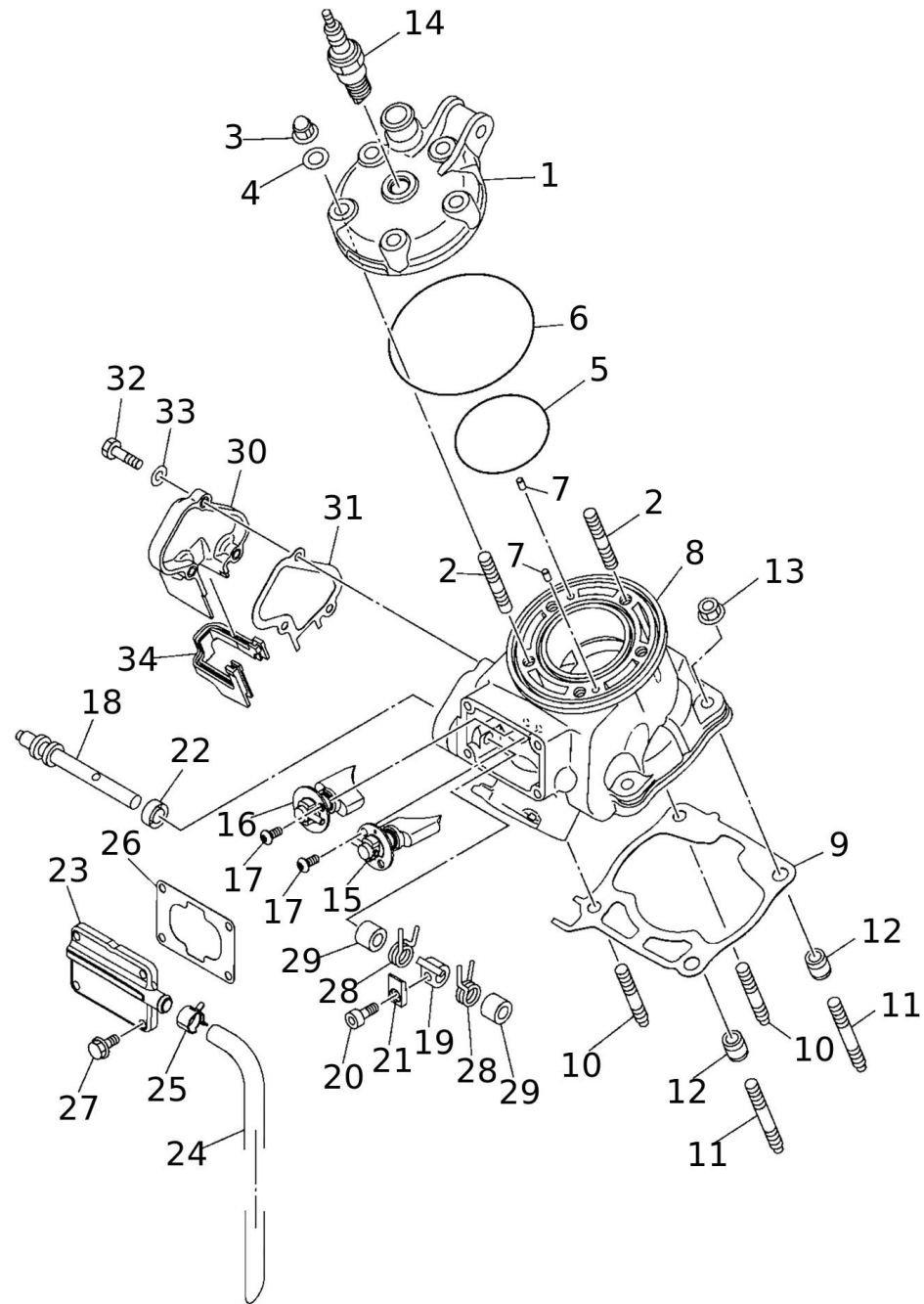
#	Code	Description	Specification	UM	Qty
1	09311005	CRANKCASE 1		pz	1
2	09312005	CRANKCASE 2		pz	1
3	05852005	CONNECTOR SUCTION PIPE		pz	1
4	05853005	HOSE		pz	1
5	05854005	PIN, DOWEL		pz	2
6	06822005	BOLT, FLANGE DEEP RECESS		pz	1
7	05856005	GASKET		pz	1
8	05857005	BOLT HEXAGON SOCKET HEAD		pz	6
9	05858005	BOLT HEXAGON SOCKET HEAD		pz	4
10	05859005	BOLT HEXAGON SOCKET HEAD		pz	1
11	05860005	BOLT HEXAGON SOCKET HEAD		pz	1
12	05861005	GUIDE, CABLE		pz	1
13	05862005	HOLDER		pz	1
14	05863005	BOLT FLANGE		pz	1
15	05864005	PIN, DOWEL		pz	1
16	05865005	O-RING		pz	1



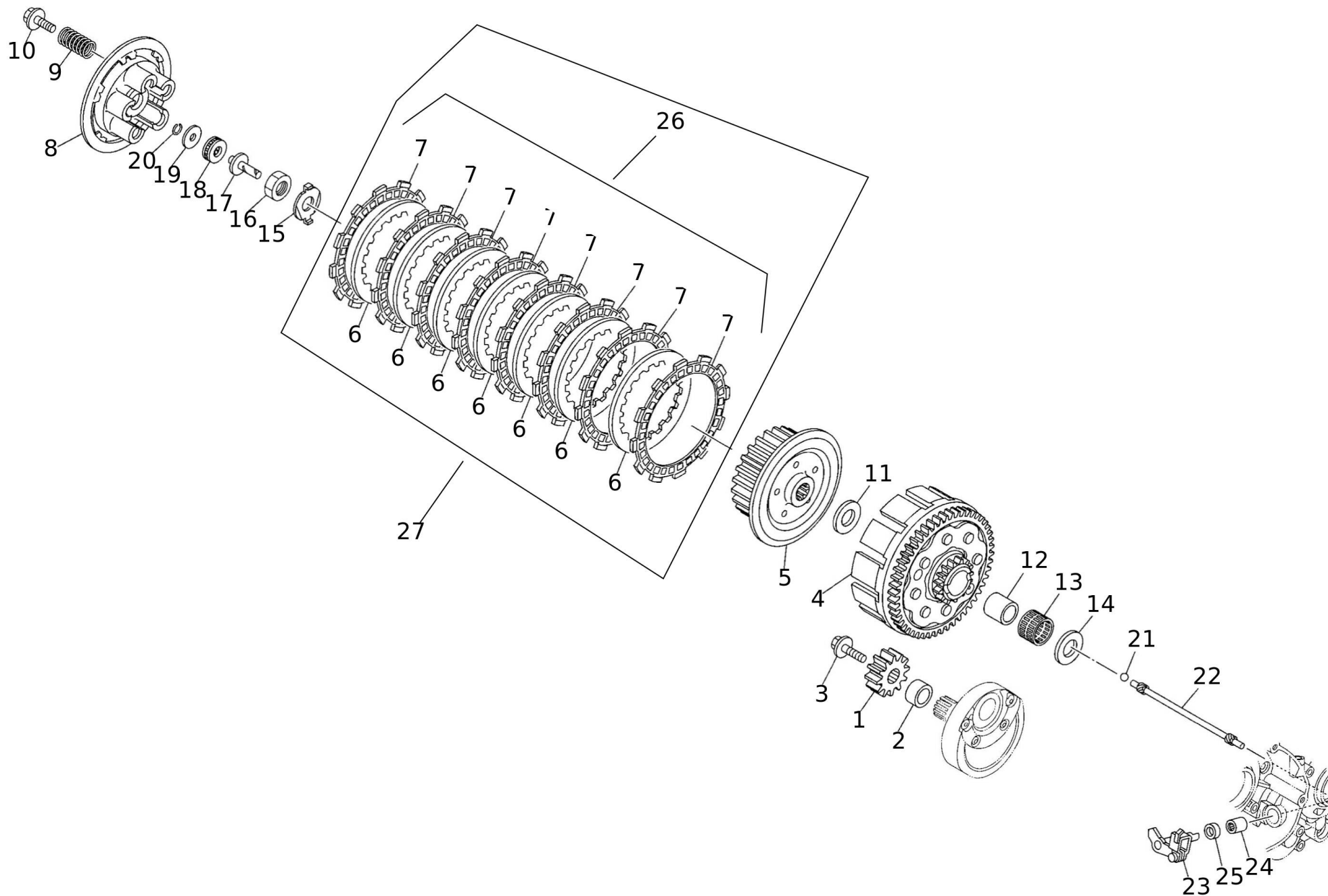
#	Code	Description	Specification	UM	Qty
1	05866005	LEFT CRANKCASE COVER		pz	1
2	05867005	GASKET CRANKCASE COVER LEFT		pz	1
3	07524005	SCREW, PAN HEAD W/ WASHER		pz	4
4	05869005	WASHER PLATE		pz	4
5	05870005	COVER CRANKCASE 2		pz	1
6	05871005	GUIDA CATENA		pz	1
7	05872005	SCREW PAN HEAD		pz	2
8	09313005	COVER, CRANKCASE 3		pz	1
9	05874005	GASKET CRANKCASE COVER RIGHT		pz	1
10	05875005	PIN DOWEL		pz	2
11	03957005	TAPPO ISP. OLIO 250 4T		pz	1
12	05877005	O-RING		pz	1
13	08542005	BOLT FLANGE DEEP RECESS		pz	6
14	WR125-0283	BOLT FLG DEEP RECESS M6x40		pz	1
15	WR125-0281	BOLT FLG DEEP RECESS M6x50		pz	1
16	07462005	COVER CLUTCH		pz	1
17	05882005	GASKET CRANKCASE COVER		pz	1
18	09315005	BOLT FLANGE DEEP RECESS		pz	1
19	06708005	BOLT FLANGE DEEP RECESS		pz	5
20	05708005	PIN DOWEL		pz	2
21	05886005	BOLT BUTTON HEAD		pz	1
22	05705005	GASKET		pz	1



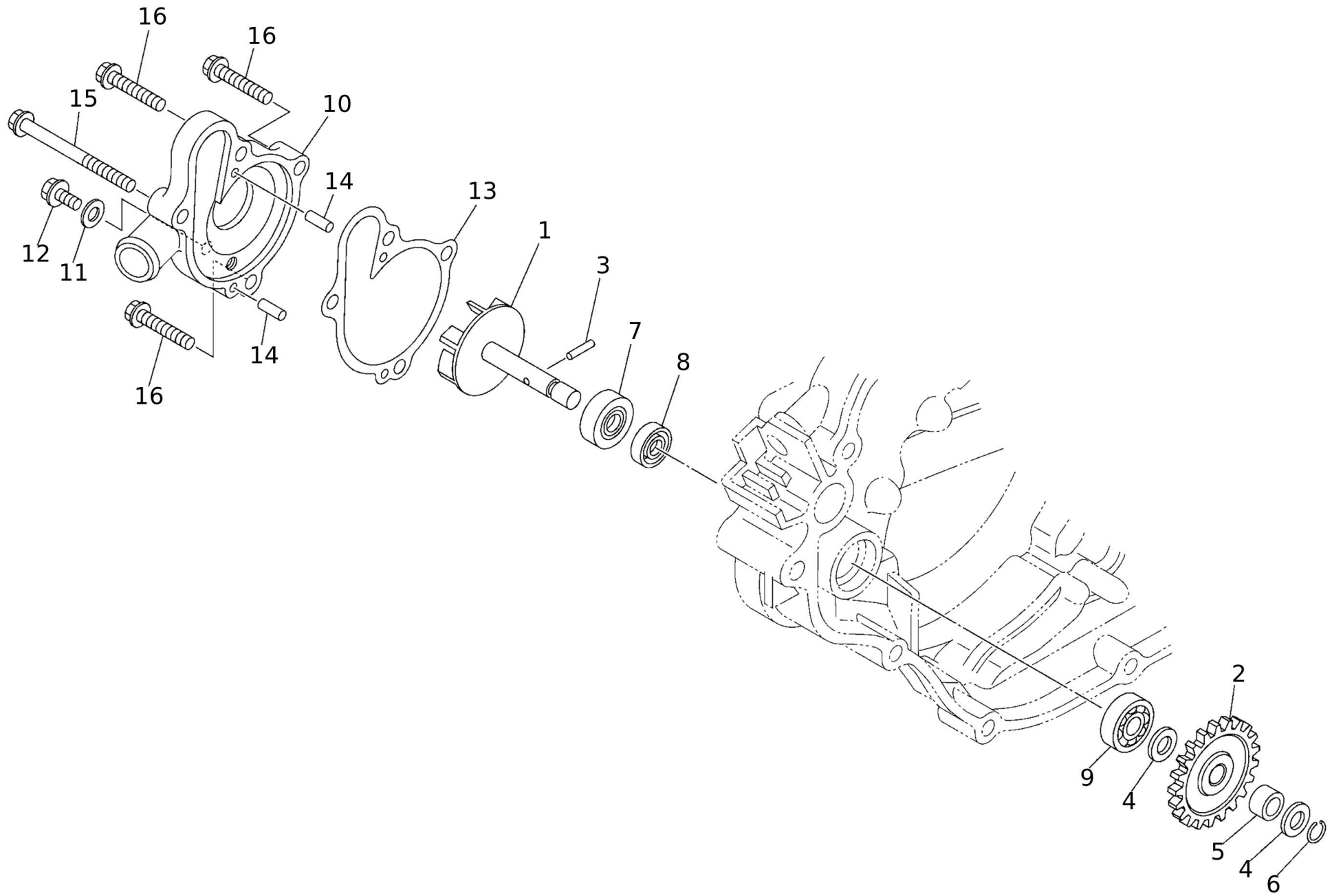
#	Code	Description	Specification	UM	Qty
1	09241005	CRANKSHAFT ASSY		pz	1
2	09242005	CRANKSHAFT		pz	1
3	09243005	CRANKSHAFT		pz	1
4	09244005	ROD CONNECTING		pz	1
5	09245005	PIN, CRANK 1		pz	1
6	05680005	WASHER		pz	2
7	05681005	BEARING		pz	1
8	09246005	PISTON	RED	pz	1
8	09247005	PISTON	ORANGE	pz	1
8	09248005	PISTON	GREEN	pz	1
8	09249005	PISTON	PURPLE	pz	1
9	05686005	RING PISTON		pz	1
10	09250005	PIN, PISTON		pz	1
11	05688005	CIRCLIP		pz	2
12	05689005	BEARING		pz	1
13	05690005	BEARING		pz	2
14	05691005	OIL SEAL		pz	1
15	05692005	OIL SEAL		pz	1
16	05693005	KEY, WOODRUFF		pz	1
17	09472005	PISTONE COMPLETO	ORANGE	pz	1



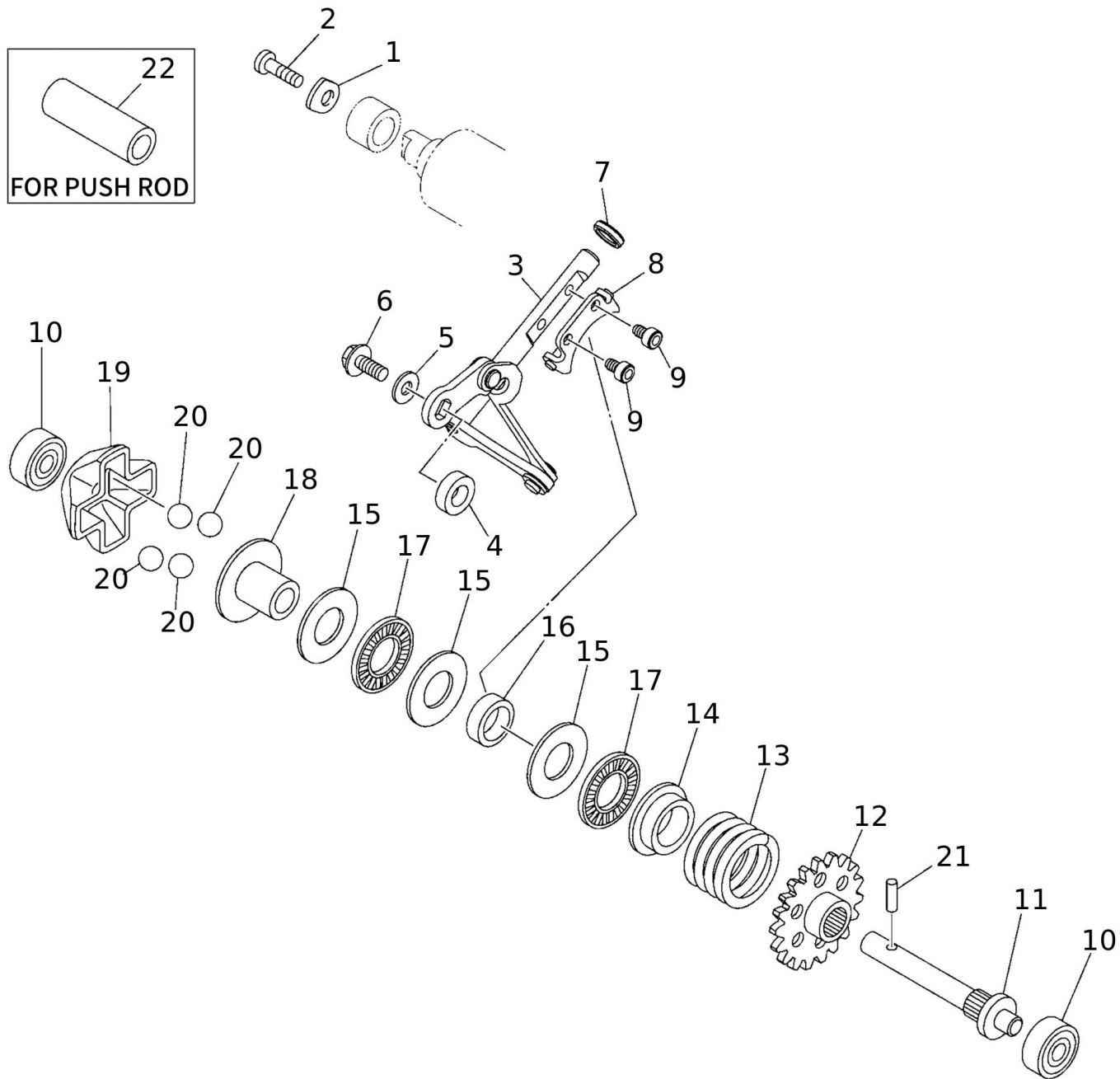
#	Code	Description	Specification	UM	Qty
1	09251005	TESTA CILINDRO		pz	1
2	05617005	BOLT, STUD		pz	5
3	05618005	NUT CROWN		pz	5
4	05619005	WASHER PLATE		pz	5
5	05620005	O-RING		pz	1
6	05621005	O-RING		pz	1
7	07779005	PIN DOWEL		pz	2
8	09252005	CYLINDER 1		pz	1
9	09253005	GASKET CYLINDER		pz	1
10	05624005	BOLT STUD		pz	2
11	05625005	BOLT STUD		pz	2
12	05626005	PIN DOWEL		pz	2
13	05627005	NUT		pz	4
14	05628005	PLUG SPARK (NGK BR9EVX)		pz	1
15	09254005	VALVE ASSY		pz	1
16	09255005	VALVE ASSY		pz	1
17	09256005	VITE		pz	4
18	05632005	SHAFT		pz	1
19	05633005	LEVER LINK		pz	1
20	05634005	BOLT SOCKET		pz	1
21	05635005	HOLDER		pz	1
22	05636005	OIL SEAL		pz	1
23	09257005	COVER		pz	1
24	05638005	PIPE BREATHER		pz	1
25	05639005	CLIP		pz	1
26	05640005	GASKET		pz	1
27	09258005	BOLT, WITH WASHER		pz	4
28	05642005	MOLLA DI TORSIONE		pz	2
29	05643005	COLLAR		pz	2
30	09259005	HOUSING		pz	1
31	09260005	GASKET		pz	1
32	07807005	VITE		pz	3
33	05647005	WASHER PLATE		pz	3
34	09261005	GASKET		pz	1



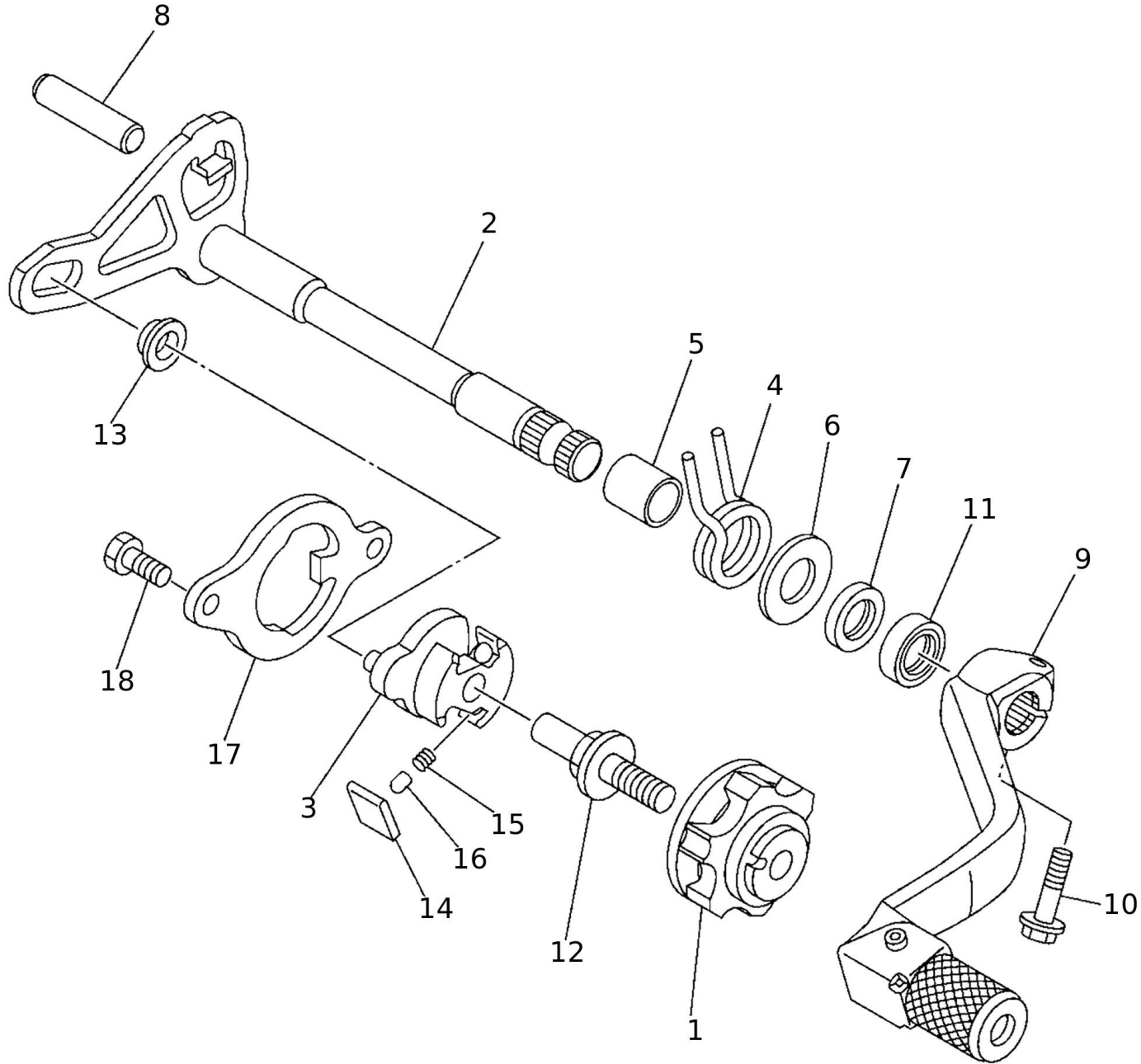
#	Code	Description	Specification	UM	Qty
1	05906005	GEAR, PRIMARY DRIVE		pz	1
2	05907005	COLLAR		pz	1
3	05908005	BOLT FLANGE		pz	1
4	05909005	GEAR PRIMARY DRIVEN		pz	1
5	05910005	BOSS CLUTCH		pz	1
6	05911005	PLATE CLUTCH 2		pz	7
7	05912005	PLATE FRICTION		pz	8
8	05913005	PLATE PRESSURE 1		pz	1
9	09262005	SPRING COMPRESSION		pz	5
10	05915005	SCREW WITH WASHER		pz	5
11	05916005	WASHER		pz	1
12	05917005	WASHER		pz	1
13	05918005	BEARING		pz	1
14	05916005	WASHER		pz	1
15	05920005	WASHER LOCK		pz	1
16	05921005	NUT		pz	1
17	05922005	ROD, PUSH 1		pz	1
18	05923005	BEARING		pz	1
19	05924005	WASHER		pz	1
20	05699005	CIRCLIP		pz	1
21	05926005	BALL		pz	1
22	09263005	ROD PUSH		pz	1
23	05928005	PUSH LEVER ASSY		pz	1
24	05929005	BEARING		pz	1
25	05930005	OIL SEAL		pz	1
26	09473005	KIT DISCHI GUARNITI		pz	1
27	09474005	KIT DISCHI FRIZIONE CPL		pz	1



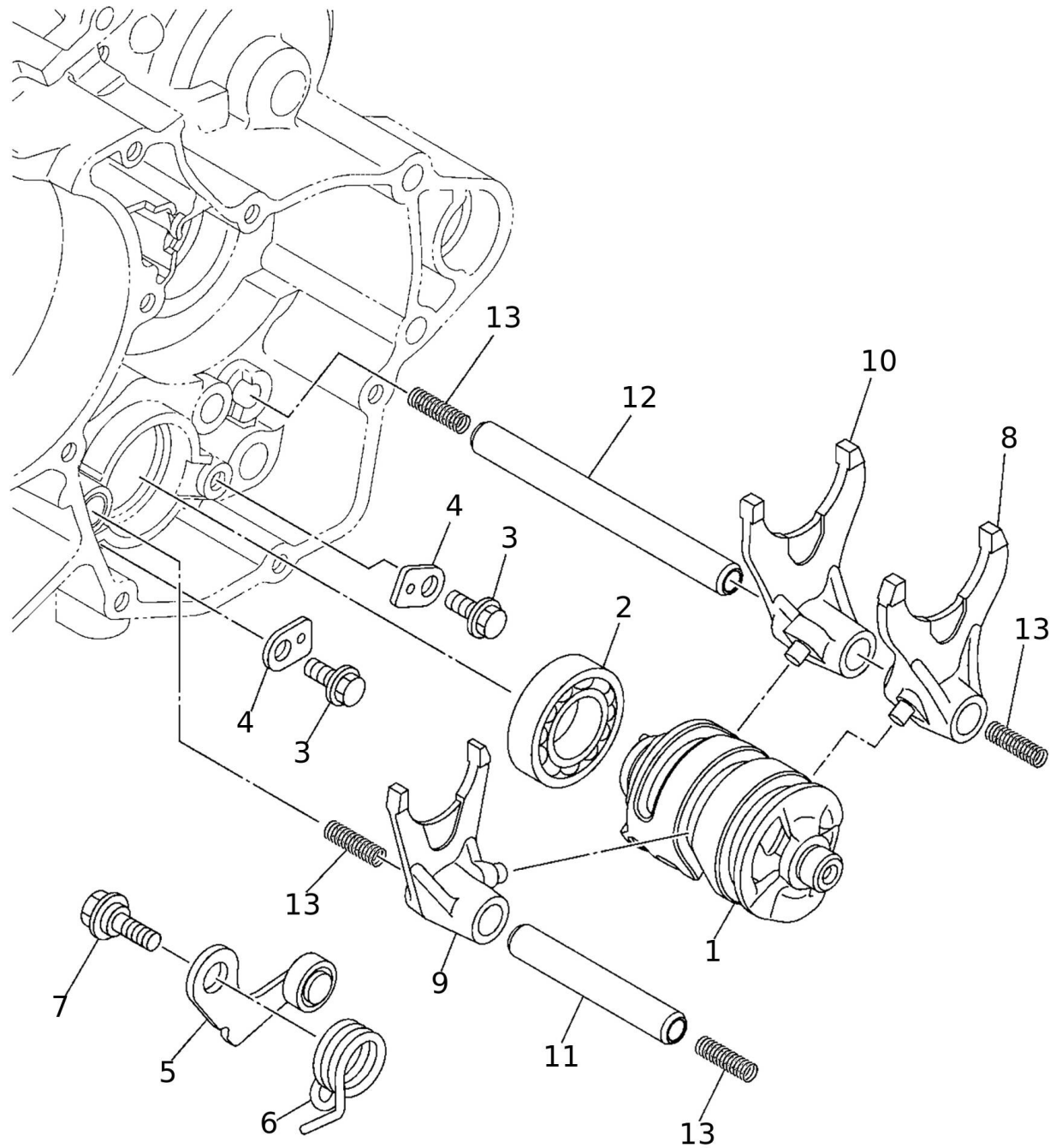
#	Code	Description	Specification	UM	Qty
1	05694005	IMPELLER SHAFT ASSY		pz	1
2	05695005	GEAR IMPELLER SHAFT		pz	1
3	05696005	PIN DOWEL		pz	1
4	05697005	WASHER		pz	2
5	05698005	BOCCOLA		pz	1
6	05699005	CIRCLIP		pz	1
7	05700005	OIL SEAL		pz	1
8	05701005	OIL SEAL		pz	1
9	05661005	BEARING		pz	1
10	05704005	COVER HOUSING		pz	1
11	05705005	GASKET		pz	1
12	05706005	BOLT FLANGE		pz	1
13	05707005	GASKET HOUSING COVER 2		pz	1
14	05708005	PIN DOWEL		pz	2
15	09315005	BOLT FLANGE DEEP RECESS		pz	1
16	06708005	BOLT FLANGE DEEP RECESS		pz	3



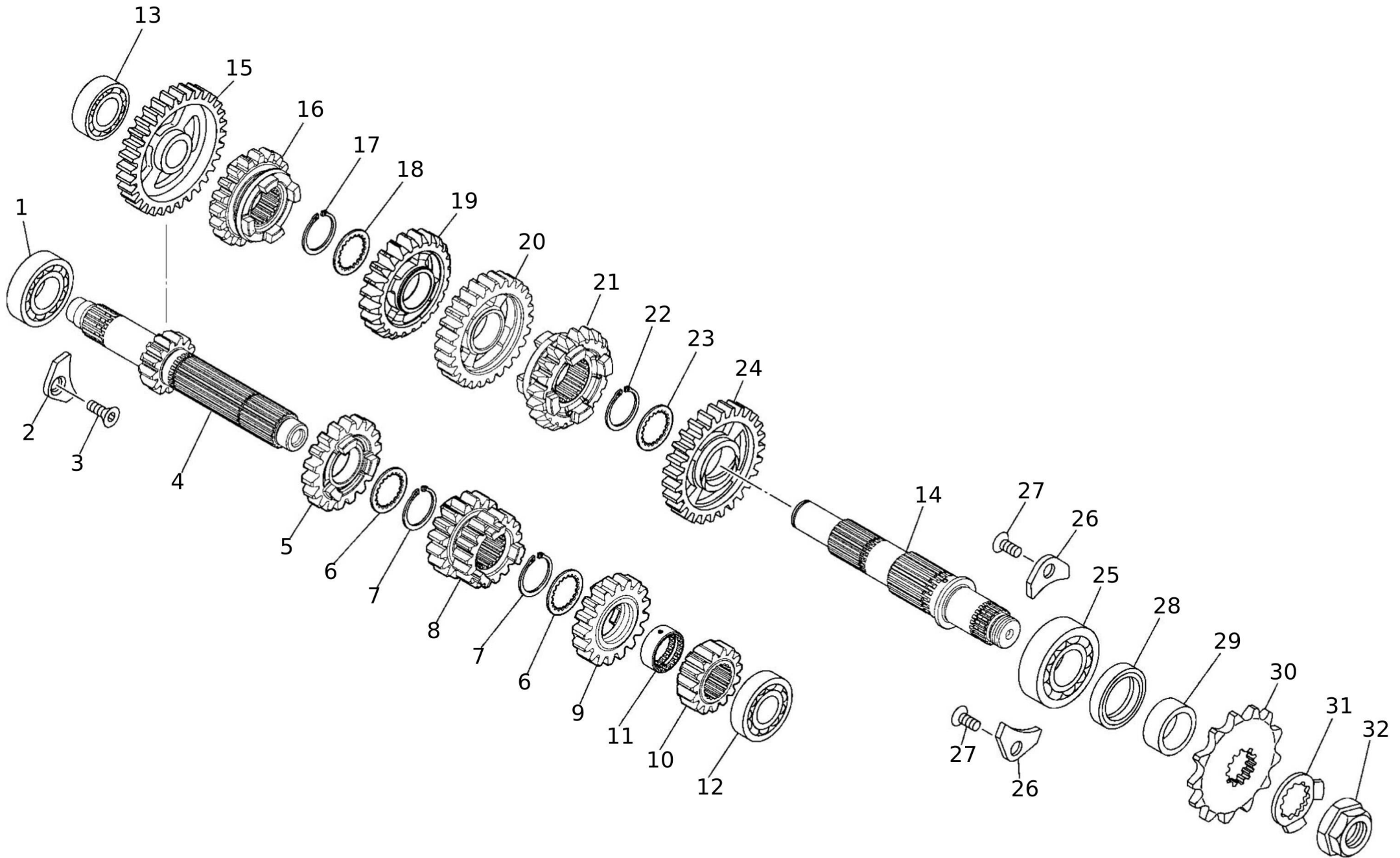
#	Code	Description	Specification	UM	Qty
1	05652005	PLATE		pz	1
2	05653005	SCREW PAN HEAD		pz	1
3	09264005	PUSH ROD ASSY		pz	1
4	05655005	COLLAR		pz	1
5	05656005	WASHER PLATE		pz	1
6	07812005	BOLT, WITH WASHER		pz	1
7	05636005	OIL SEAL		pz	1
8	05659005	FORK GOVERNOR		pz	1
9	05660005	BOLT HEXAGON SOCKET HEAD		pz	2
10	05661005	BEARING		pz	2
11	05662005	SHAFT GOVERNOR		pz	1
12	05663005	GEAR GOVERNOR		pz	1
13	05664005	SPRING COMPRESSION		pz	1
14	05665005	BOCCOLA		pz	1
15	05666005	WASHER		pz	3
16	05667005	RING		pz	1
17	05668005	BEARING		pz	2
18	05669005	BOCCOLA		pz	1
19	05670005	HOLDER		pz	1
20	05671005	BALL		pz	4
21	05672005	PIN DOWEL		pz	1
22	05673005	BOCCOLA	Accessory	pz	1



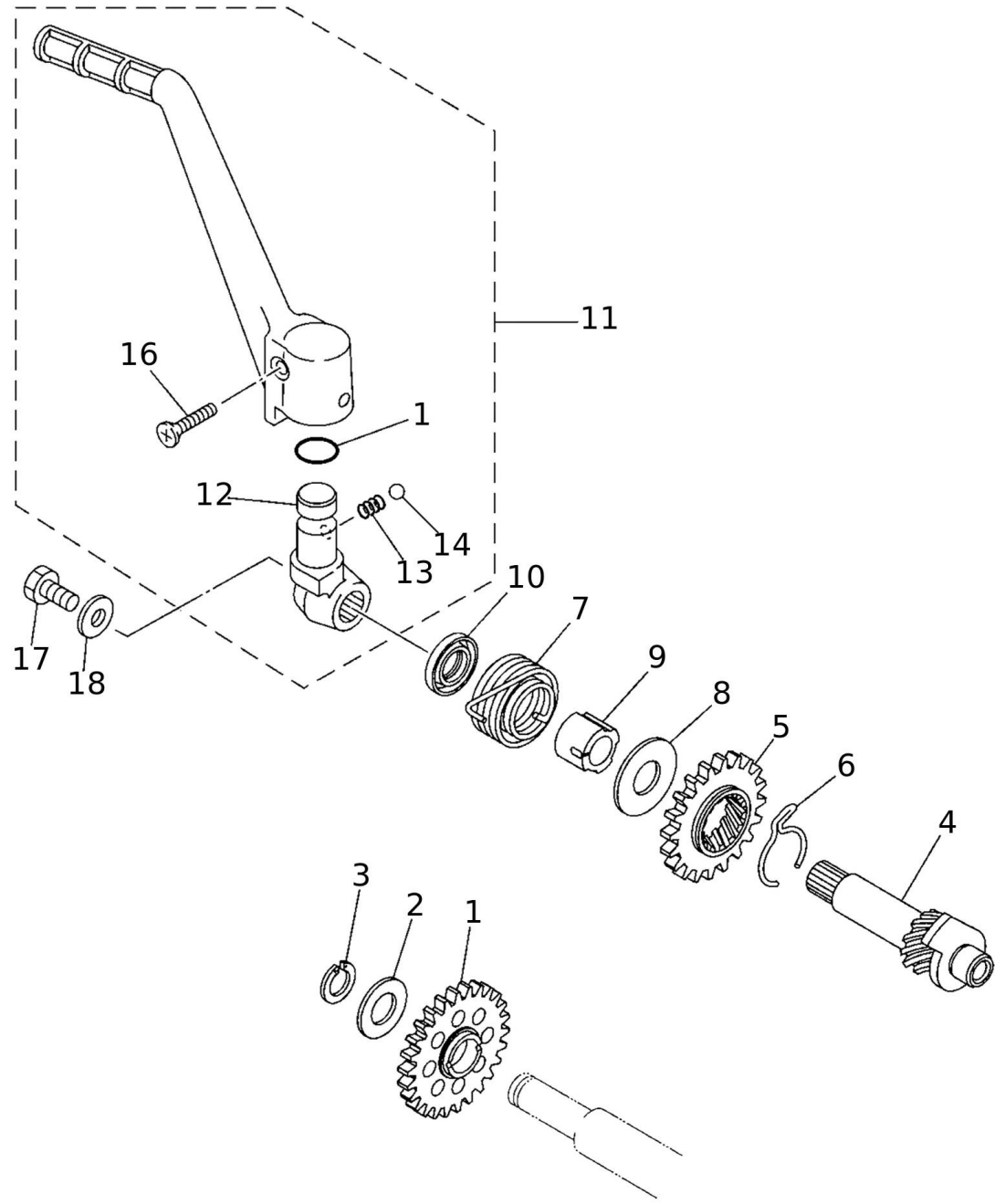
#	Code	Description	Specification	UM	Qty
1	05975005	SEGMENT		pz	1
2	09265005	SHIFT SHAFT ASSY		pz	1
3	05977005	LEVER SHIFT		pz	1
4	08055005	MOLLA DI TORSIONE		pz	1
5	05979005	WASHER		pz	1
6	05980005	WASHER		pz	1
7	05981005	OIL SEAL		pz	1
8	05982005	PIN DOWEL		pz	1
9	05983005	SHIFT PEDAL ASSY		pz	1
10	06722005	BOLT FLANGE DEEP RECESS		pz	1
11	05985005	OIL SEAL		pz	1
12	05986005	PIN SHIFT		pz	1
13	05987005	ROLLER SHIFT LEVER		pz	1
14	05988005	PAWL SHIFTER		pz	2
15	05989005	SPRING COMPRESSION		pz	2
16	05990005	PIN PAWL		pz	2
17	05991005	GUIDE, SHIFT		pz	1
18	05992005	BOLT		pz	2



#	Code	Description	Specification	UM	Qty
1	09266005	CAM, SHIFT		pz	1
2	05964005	BEARING		pz	1
3	09187005	BOLT, WITH WASHER		pz	2
4	05966005	PLATE STOPPER		pz	2
5	05967005	STOPPER LEVER ASSY		pz	1
6	09479005	MOLLA LEVA INDEX		pz	1
7	05969005	BOLT		pz	1
8	05970005	FORK, SHIFT 1		pz	1
9	05971005	FORK, SHIFT 2		pz	1
10	05972005	FORK, SHIFT 3		pz	1
11	09268005	WASHER		pz	1
12	09269005	WASHER		pz	1
13	06914005	SPRING COMPRESSION		pz	4

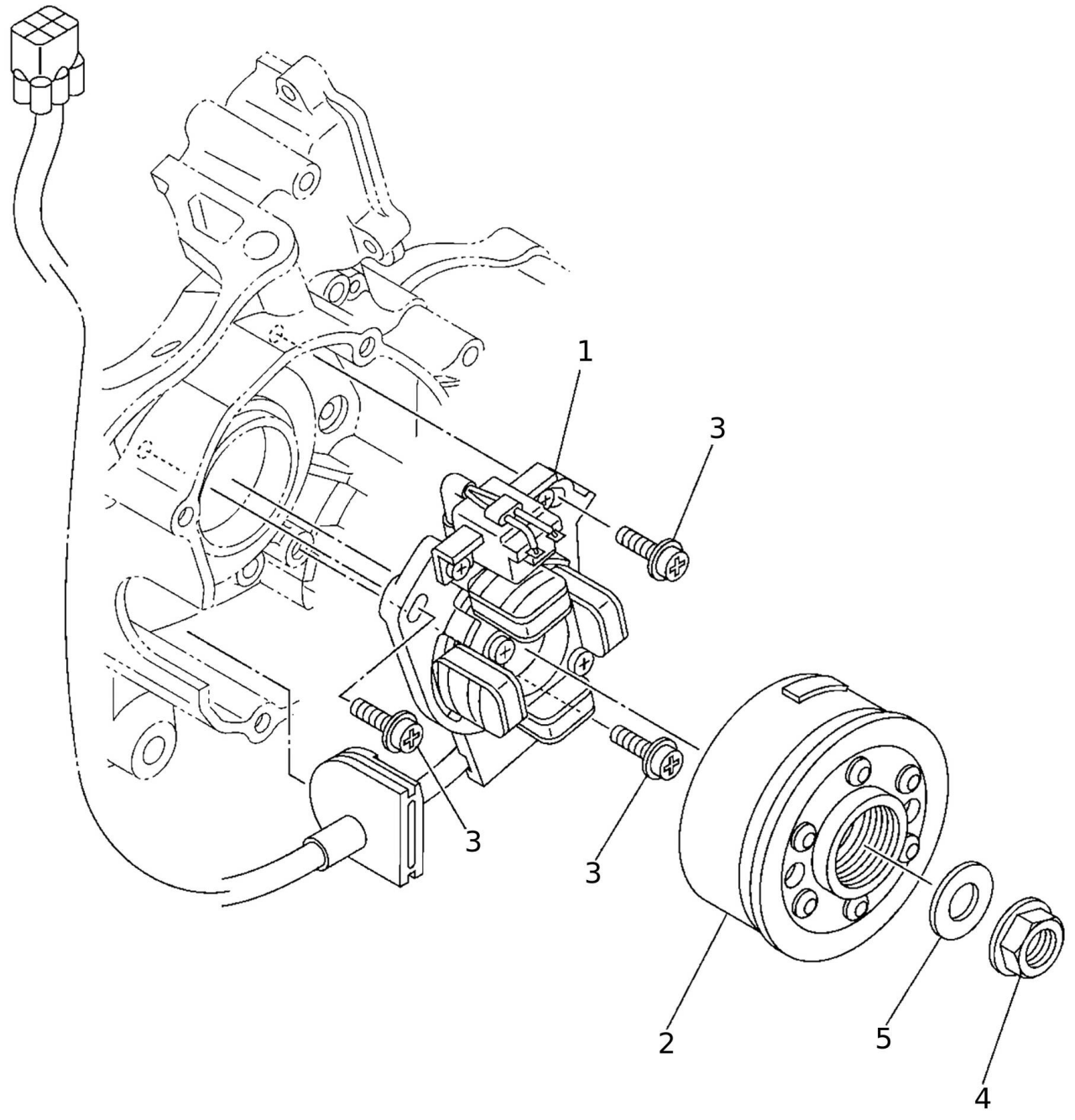


#	Code	Description	Specification	UM	Qty
1	05931005	BEARING		pz	1
2	05932005	PLATE, BEARING COVER		pz	1
3	05933005	VITE		pz	1
4	09270005	AXLE MAIN (13T)		pz	1
5	09271005	GEAR 6TH PINION (18T)		pz	1
6	05948005	WASHER		pz	2
7	01770005	CIRCLIP		pz	2
8	09272005	GEAR 3RD PINION (17T/17T)		pz	1
9	09273005	GEAR 5TH PINION (17T)		pz	1
10	09274005	GEAR 2ND PINION (15T)		pz	1
11	06887005	BOCCOLA		pz	1
12	05942005	BEARING		pz	1
13	05943005	BEARING		pz	1
14	09275005	AXLE DRIVE		pz	1
15	05945005	GEAR 1ST WHEEL (31T)		pz	1
16	09276005	GEAR 6TH WHEEL (19T)		pz	1
17	01770005	CIRCLIP		pz	1
18	05948005	WASHER		pz	1
19	09277005	GEAR 4TH WHEEL (23T)		pz	1
20	09278005	GEAR 3RD WHEEL (27T)		pz	1
21	09279005	GEAR 5TH WHEEL (20T)		pz	1
22	05952005	CIRCLIP		pz	1
23	05953005	WASHER		pz	1
24	09280005	GEAR 2ND WHEEL (29T)		pz	1
25	05955005	BEARING		pz	1
26	05932005	PLATE, BEARING COVER		pz	2
27	05933005	VITE		pz	2
28	05958005	OIL SEAL		pz	1
29	05959005	COLLAR		pz	1
30	05960005	PINION Z13		pz	1
31	05961005	WASHER LOCK		pz	1
32	05962005	NUT		pz	1

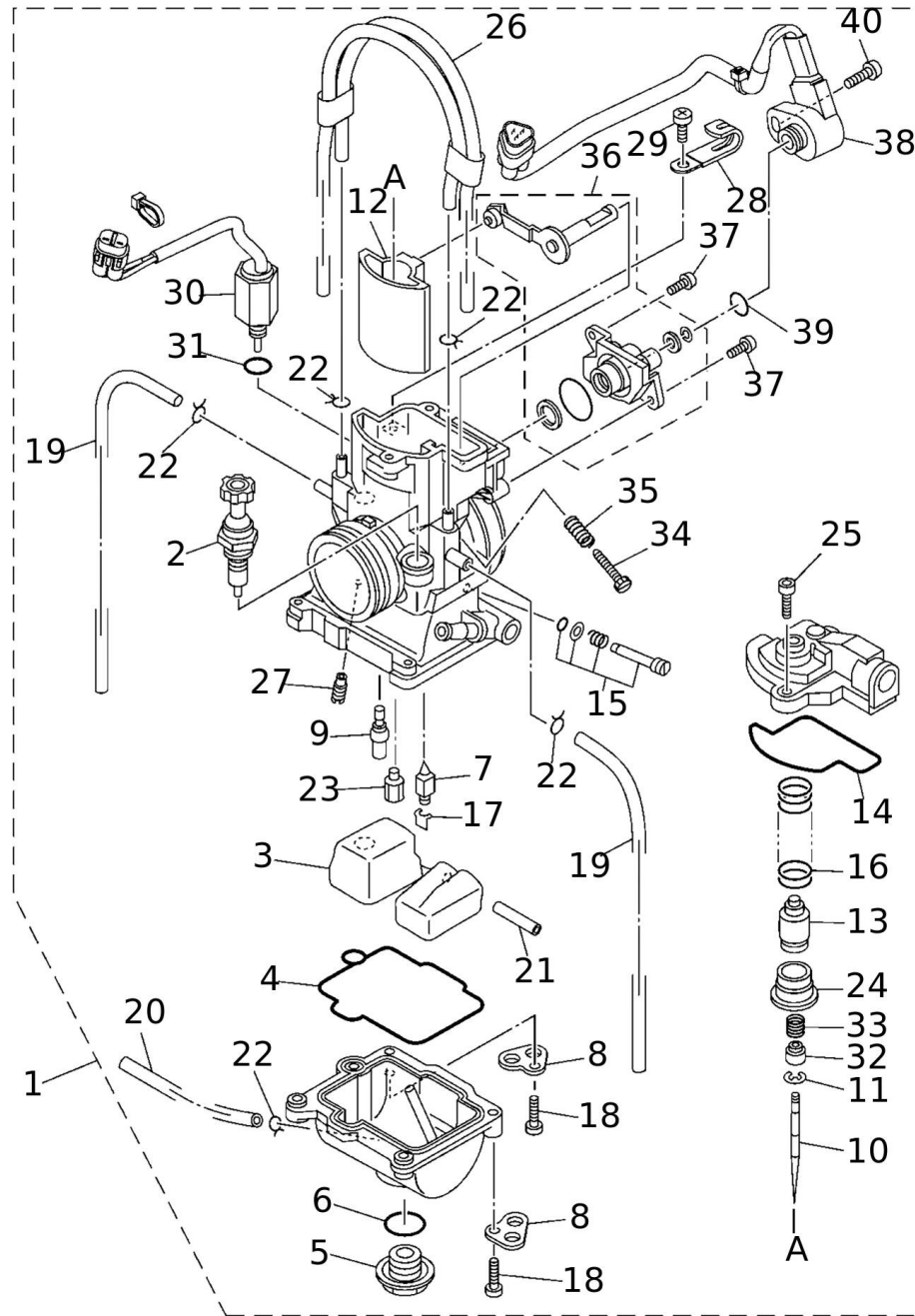


Starter

#	Code	Description	Specification	UM	Qty
1	05888005	GEAR KICK IDLE		pz	1
2	05889005	WASHER		pz	1
3	05890005	CIRCLIP		pz	1
4	09281005	KICK AXLE ASSY		pz	1
5	05892005	GEAR KICK		pz	1
6	05893005	CLIP		pz	1
7	05894005	MOLLA DI TORSIONE		pz	1
8	05895005	WASHER		pz	1
9	05896005	WASHER		pz	1
10	05897005	OIL SEAL		pz	1
11	05898005	KICK CRANK ASSY		pz	1
12	05899005	BOSS KICK CRANK		pz	1
13	05900005	SPRING COMPRESSION		pz	1
14	05901005	BALL		pz	1
15	05902005	O-RING		pz	1
16	05903005	SCREW COUNTERSUNK		pz	1
17	08663005	BOLT, HEXAGON		pz	1
18	08664005	WASHER, PLATE		pz	1



#	Code	Description	Specification	UM	Qty
1	09282005	BASE ASSY		pz	1
2	09283005	ROTOR ASSY		pz	1
3	06182005	SCREW		pz	3
4	06375005	NUT		pz	1
5	06376005	WASHER PLATE		pz	1



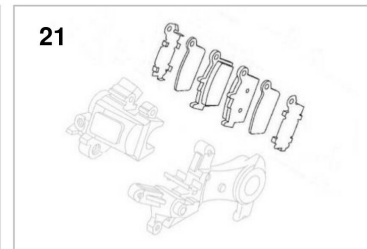
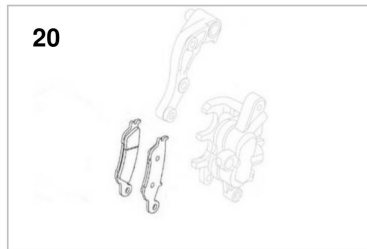
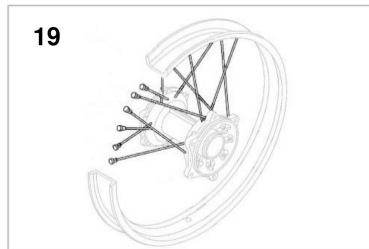
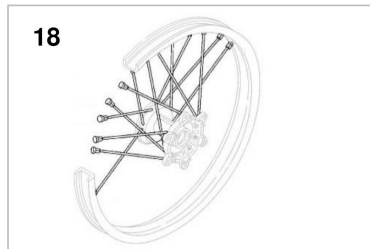
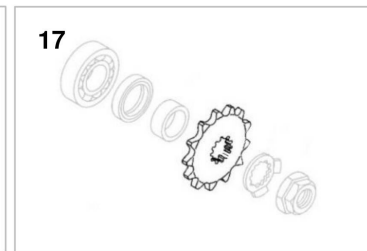
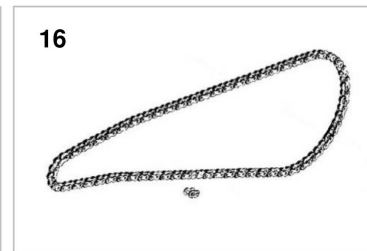
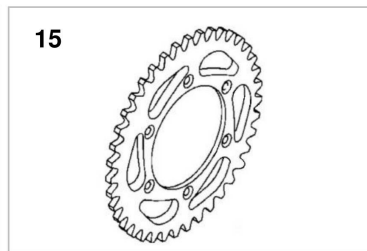
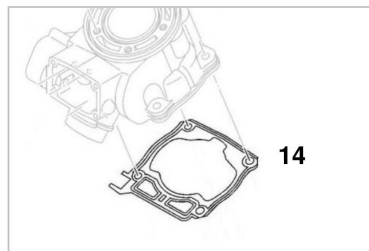
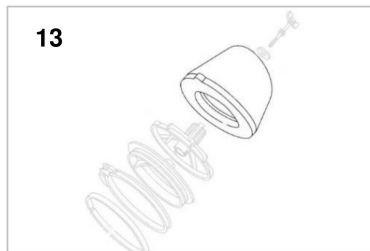
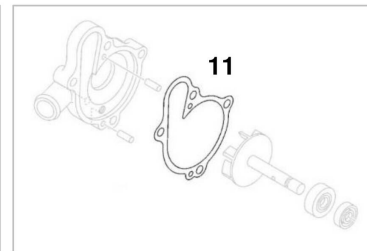
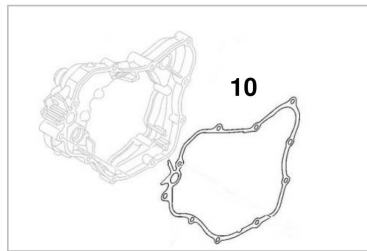
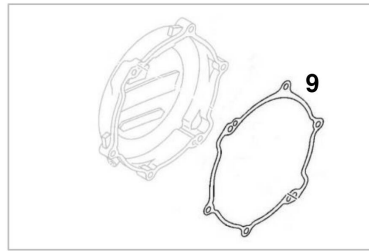
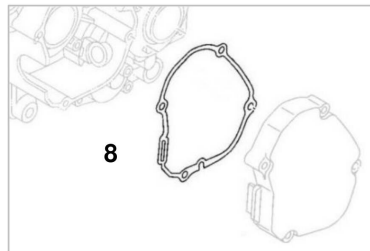
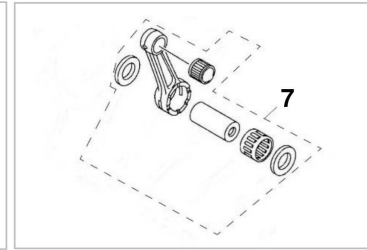
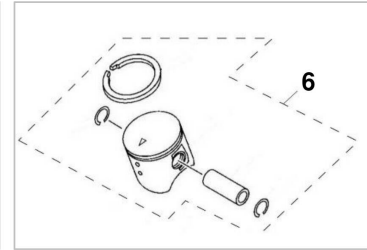
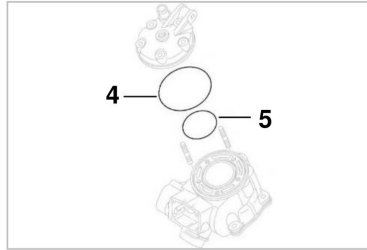
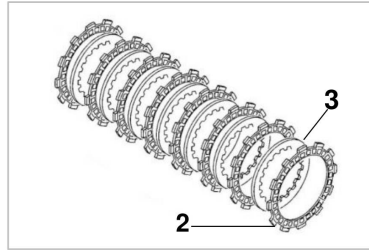
Carburetor

#	Code	Description	Specification	UM	Qty
1	08865005	CARBURETOR ASSY PWK38 XX125 MY22		pz	1
2	07859005	PLUNGER STARTER		pz	1
3	07860005	FLOAT		pz	1
4	07861005	GASKET FLOAT CHAMBER		pz	1
5	07862005	PLUG STRAIGHT SCREW		pz	1
6	07863005	O-RING		pz	1
7	07864005	VALVE NEEDLE		pz	1
8	07865005	PLATE		pz	2
9	07866005	.JET, SLOW (#52)	Accessory	pz	1
9	07867005	.JET, SLOW (#62)	STD	pz	1
9	07868005	.JET, SLOW (#60)	Accessory	pz	1
9	07869005	.JET, SLOW (#58)	Accessory	pz	1
9	07870005	.JET, SLOW (#55)	Accessory	pz	1
9	07871005	.JET, SLOW (#50)	Accessory	pz	1
9	08988001	GETTO DEL MINIMO (#65)	Accessory	pz	1
9	08989001	GETTO DEL MINIMO (#68)	Accessory	pz	1
9	08990001	GETTO DEL MINIMO (#70)	Accessory	pz	1
9	08991001	GETTO DEL MINIMO (#72)	Accessory	pz	1
9	08992001	GETTO DEL MINIMO (#75)	Accessory	pz	1
9	08993001	GETTO DEL MINIMO (#78)	Accessory	pz	1
9	08994001	GETTO DEL MINIMO (#80)	Accessory	pz	1
10	09003001	SPILLO (NYEH)	Accessory	pz	1
10	09004001	SPILLO (NYDH)	Accessory	pz	1
10	09005001	SPILLO (NYCH)	Accessory	pz	1
10	09006001	SPILLO (NYFH)	Accessory	pz	1
10	09007001	SPILLO (NYEG)	Accessory	pz	1
10	09008001	SPILLO (NYDG)	Accessory	pz	1
10	09009001	SPILLO (NYCG)	Accessory	pz	1
10	09010001	SPILLO (NYFG)	Accessory	pz	1
10	09011001	SPILLO (NYEF)	Accessory	pz	1
10	09012001	SPILLO (NYDF)	Accessory	pz	1
10	09013001	SPILLO (NYCF)	STD	pz	1
10	09014001	SPILLO (NYFF)	Accessory	pz	1
10	09015001	SPILLO (NYEE)	Accessory	pz	1
10	09016001	SPILLO (NYDE)	Accessory	pz	1
10	09017001	SPILLO (NYCE)	Accessory	pz	1
10	09018001	SPILLO (NYFE)	Accessory	pz	1
10	09019001	SPILLO (NYED)	Accessory	pz	1
10	09020001	SPILLO (NYDD)	Accessory	pz	1
10	09021001	SPILLO (NYCD)	Accessory	pz	1

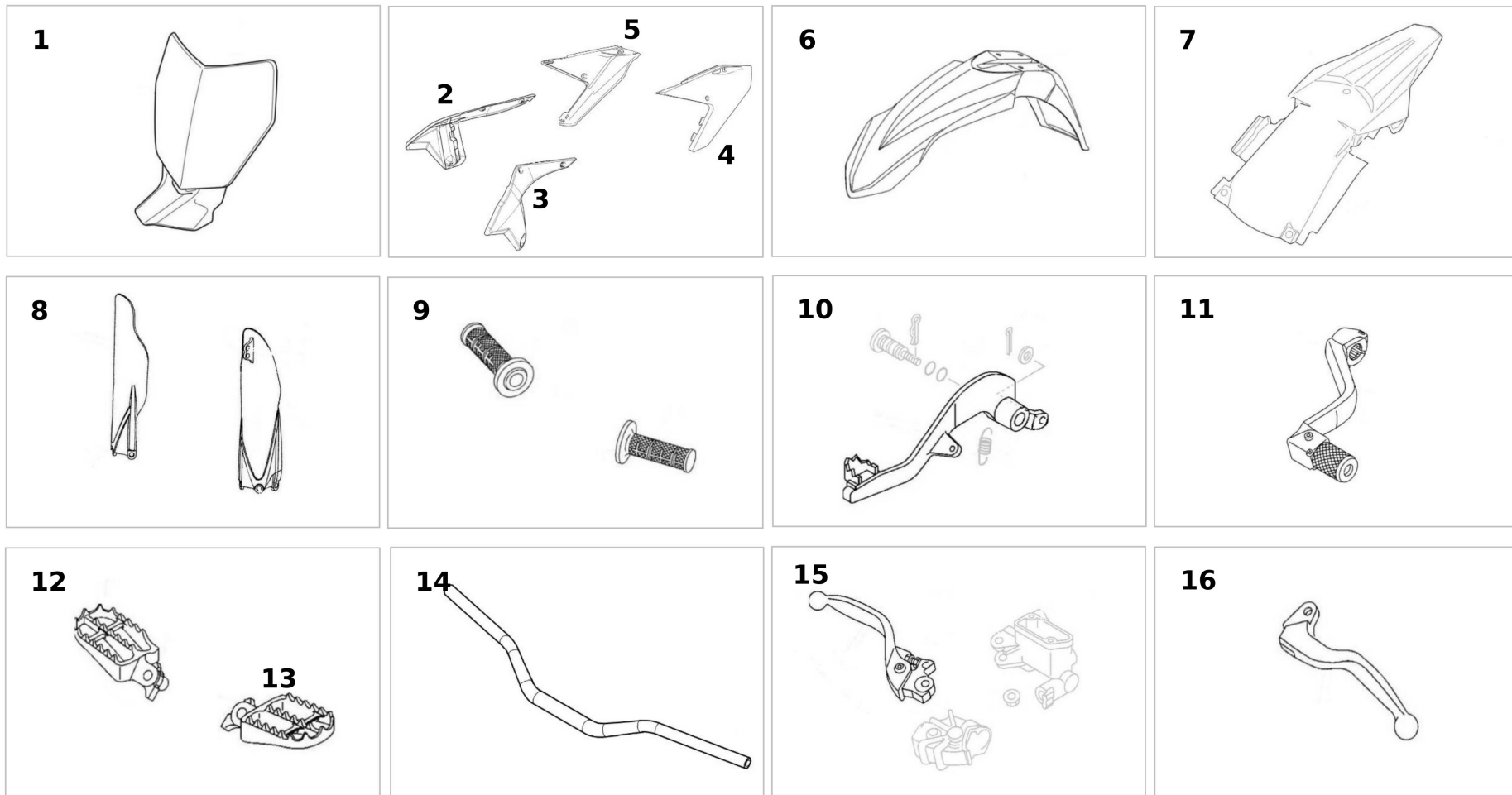


#	Code	Description	Specification	UM	Qty
10	09022001	SPILLO (NYFD)	Accessory	pz	1
11	07894005	CIRCLIP		pz	1
12	07895005	VALVE ASSY		pz	1
13	07896005	HOLDER		pz	1
14	07897005	GASKET		pz	1
15	07898005	PILOT SCREW SET		pz	1
16	07899005	SPRING THROTTLE VALVE		pz	1
17	07900005	CLIP		pz	1
18	07901005	SCREW PAN HEAD		pz	4
19	07902005	PIPE		pz	2
20	07903005	PIPE, BREATHER 1		pz	1
21	07904005	PIN CLEVIS		pz	1
22	07905005	CLIP		pz	5
23	07912005	.JET, MAIN (#175)	Accessory	pz	1
23	07913005	.JET, MAIN (#172)	Accessory	pz	1
23	07914005	.JET, MAIN (#170)	Accessory	pz	1
23	07915005	.JET, MAIN (#168)	Accessory	pz	1
23	07916005	.JET, MAIN (#165)	Accessory	pz	1
23	07917005	.JET, MAIN (#162)	STD	pz	1
23	08997001	GETTO DEL MASSIMO (#160)	Accessory	pz	1
23	08998001	GETTO DEL MASSIMO (#158)	Accessory	pz	1
23	08999001	GETTO DEL MASSIMO (#155)	Accessory	pz	1
23	09000001	GETTO DEL MASSIMO (#152)	Accessory	pz	1
23	09001001	GETTO DEL MASSIMO (#150)	Accessory	pz	1
23	09002001	GETTO DEL MASSIMO (#148)	Accessory	pz	1
24	07918005	RING		pz	1
25	09284005	BOLT, WITH WASHER		pz	2
26	07920005	HOSE		pz	1
27	07921005	.JET (#50)	Accessory	pz	1
27	07922005	.JET (#55)	Accessory	pz	1
27	07923005	.JET (#60)	Accessory	pz	1
27	07926005	.JET (#40)	Accessory	pz	1
27	08995001	GETTO DI AVVIAMENTO (#35)	STD	pz	1
27	08996001	GETTO DI AVVIAMENTO (#45)	Accessory	pz	1
28	07927005	CLAMP		pz	1
29	07928005	SCREW PAN HEAD		pz	1
30	09285005	SOLENOID VALVE		pz	1
31	07930005	O-RING		pz	1
32	07931005	BOCCOLA		pz	1
33	07932005	SPRING, COMPRESSION		pz	1

#	Code	Description	Specification	UM	Qty
34	07933005	SCREW THROTTLE		pz	1
35	07934005	SPRING THROTTLE STOP		pz	1
36	09286005	LEVER COMP		pz	1
37	07936005	VITE		pz	2
38	09287005	THROTTLE SENSOR ASSY		pz	1
39	07938005	O-RING		pz	1
40	08348005	VITE		pz	1



#	Code	Description	Specification	UM	Qty
1	06114005	SEAL DUST		pz	2
2	05912005	PLATE FRICTION		pz	8
3	05911005	PLATE CLUTCH 2		pz	7
4	05621005	O-RING		pz	1
5	05620005	O-RING		pz	1
6	09472005	PISTONE COMPLETO		pz	1
7	09241005	CRANKSHAFT ASSY		pz	1
8	05867005	GASKET CRANKCASE COVER LEFT		pz	1
9	05882005	GASKET CRANKCASE COVER		pz	1
10	05874005	GASKET CRANKCASE COVER RIGHT		pz	1
11	08542005	BOLT FLANGE DEEP RECESS		pz	1
12	05628005	PLUG SPARK (NGK BR9EVX)		pz	1
13	05752005	ELEMENT AIR CLEANER		pz	1
14	09253005	GASKET CYLINDER		pz	1
15	06242005	SPROCKET DRIVEN (48T)		pz	1
15	06243005	SPROCKET DRIVEN (47T)		pz	1
15	06247005	SPROCKET DRIVEN (52T)		pz	1
15	08468001	CORONA POST 51D MY22		pz	1
15	08696005	CORONA POST Z 50 MY22		pz	1
15	08697005	CORONA POST 49D MY22		pz	1
16	09468005	CATENA DID520DMS 112 CON FALSAMAGLIA		pz	1
17	05960005	PINION Z13		pz	1
18	06201005	SPOKE SET FRONT		pz	1
19	06236005	SET RAGGI POSTERIORE 19"		pz	1
20	08739005	PASTIGLIE FRENO ANT		pz	1
21	06277005	BRAKE PAD KIT 2		pz	1
22	09225020	KIT MINUTERIE OFF-ROAD		pz	1



#	Code	Description	Specification	UM	Qty
1	07503005	FRONT PLATE NUMBER OFF-ROAD		pz	1
2	07496005	RIGHT SPOILER XX/XE 2T		pz	1
3	07495005	LEFT SPOILER XX/XE		pz	1
4	07497005	LEFT SIDE REAR COVER XX/XE		pz	1
5	07498005	RIGHT SIDE REAR COVER XX/XE		pz	1
6	07500005	FRONT FENDER OFF-ROAD WHITE		pz	1
7	07502005	REAR FENDER XX/XE		pz	1
8	07662005	FORK SLIDER PROTECTORS (PAIR)		pz	1
9	07437005	OFF-ROAD KNOB PAIR		pz	1
10	06330005	PEDAL BRAKE		pz	1
11	05983005	SHIFT PEDAL ASSY		pz	1
12	06339005	FOOTREST 2		pz	1
13	06338005	FOOTREST 1		pz	1
14	06293005	HANDLEBAR		pz	1
15	08740005	LEVA FRENO ANT.		pz	1
16	08295005	LEVER 1		pz	1