



Ersatzteilkatalog  
XX 250 - MY22

# Inhaltsverzeichnis

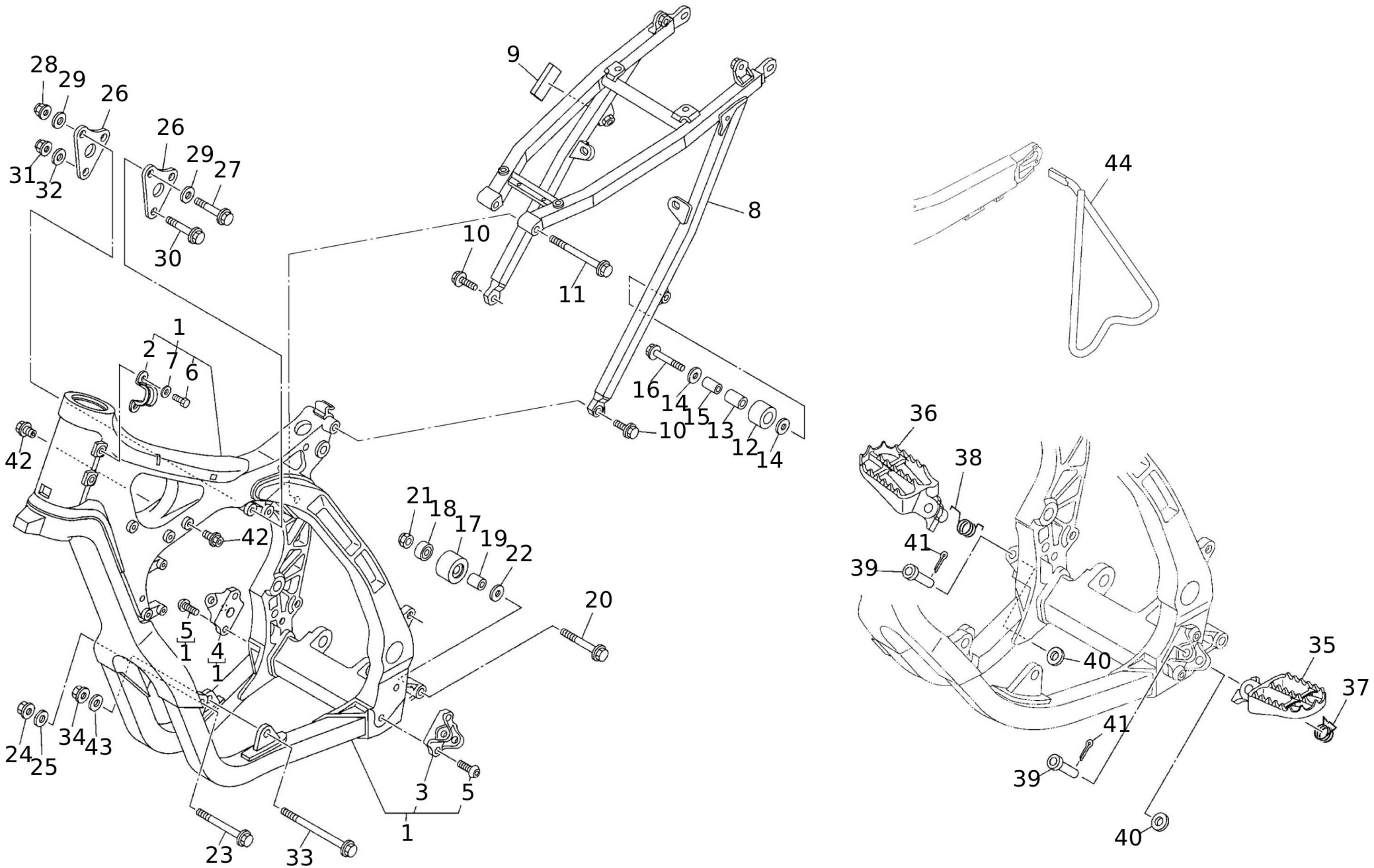
|   |    |
|---|----|
| <b>0 - Models (XX 250 MY 22)</b> .....                        | 4  |
| <b>1 - Rahmen - Fußstützen - Ständer (XX 250 MY 22)</b> ..... | 6  |
| <b>2 - Schwinge (XX 250 MY 22)</b> .....                      | 9  |
| <b>3 - Hinterer Stoßdämpfer (XX 250 MY 22)</b> .....          | 11 |
| <b>4 - Lenksäule (XX 250 MY22)</b> .....                      | 13 |
| <b>5 - Gabel (XX 250 MY22)</b> .....                          | 15 |
| <b>6 - Vorderrad (XX 250 MY22)</b> .....                      | 17 |
| <b>7 - Hinterrad (XX 250 MY22)</b> .....                      | 19 |
| <b>8 - Vorderbremse (XX 250 MY22)</b> .....                   | 21 |
| <b>9 - Vorderbremse (XX 250 MY22)</b> .....                   | 23 |
| <b>10 - Hinterradbremse (XX 250 MY22)</b> .....               | 26 |
| <b>11 - Gasbehälter (XX 250 MY22)</b> .....                   | 28 |
| <b>12 - Aspiration (XX 250 MY22)</b> .....                    | 30 |
| <b>13 - Auspuff (XX 250 MY22)</b> .....                       | 32 |
| <b>14 - Lenker - Bedienelemente (XX 250 MY22)</b> .....       | 34 |
| <b>15 - Frontkarosserie (XX 250 MY22)</b> .....               | 36 |
| <b>16 - Hinten Karosserie (XX 250 MY22)</b> .....             | 38 |
| <b>17 - Elektrisches System (XX 250 MY22)</b> .....           | 40 |
| <b>18 - Broschüren - Aufkleber (XX 250 MY22)</b> .....        | 42 |
| <b>19 - Kurbelgehäuse (XX 250 MY22)</b> .....                 | 44 |
| <b>20 - Kurbelgehäusedeckel (XX 250 MY22)</b> .....           | 46 |
| <b>21 - Kurbelwelle - Kolben (XX 250 MY22)</b> .....          | 48 |
| <b>22 - Kopf - Zylinder (XX 250 MY22)</b> .....               | 50 |
| <b>23 - Kupplung (XX 250 MY22)</b> .....                      | 53 |
| <b>24 - Wasserpumpe (XX 250 MY22)</b> .....                   | 55 |
| <b>25 - Auslassventilsteuerungl (XX 250 MY22)</b> .....       | 57 |
| <b>26 - Schaltung (XX 250 MY22)</b> .....                     | 59 |
| <b>27 - Desmodromic (XX 250 MY22)</b> .....                   | 61 |
| <b>28 - Schaltung (XX 250 MY22)</b> .....                     | 63 |
| <b>29 - Motorstart (XX 250 MY22)</b> .....                    | 65 |

|  |           |
|--|-----------|
| <b>30 - Schwungrad (XX 250 MY22)</b> ..... | <b>67</b> |
| <b>31 - Vergaser (XX 250 MY22)</b> .....   | <b>69</b> |



XX 250  
XX

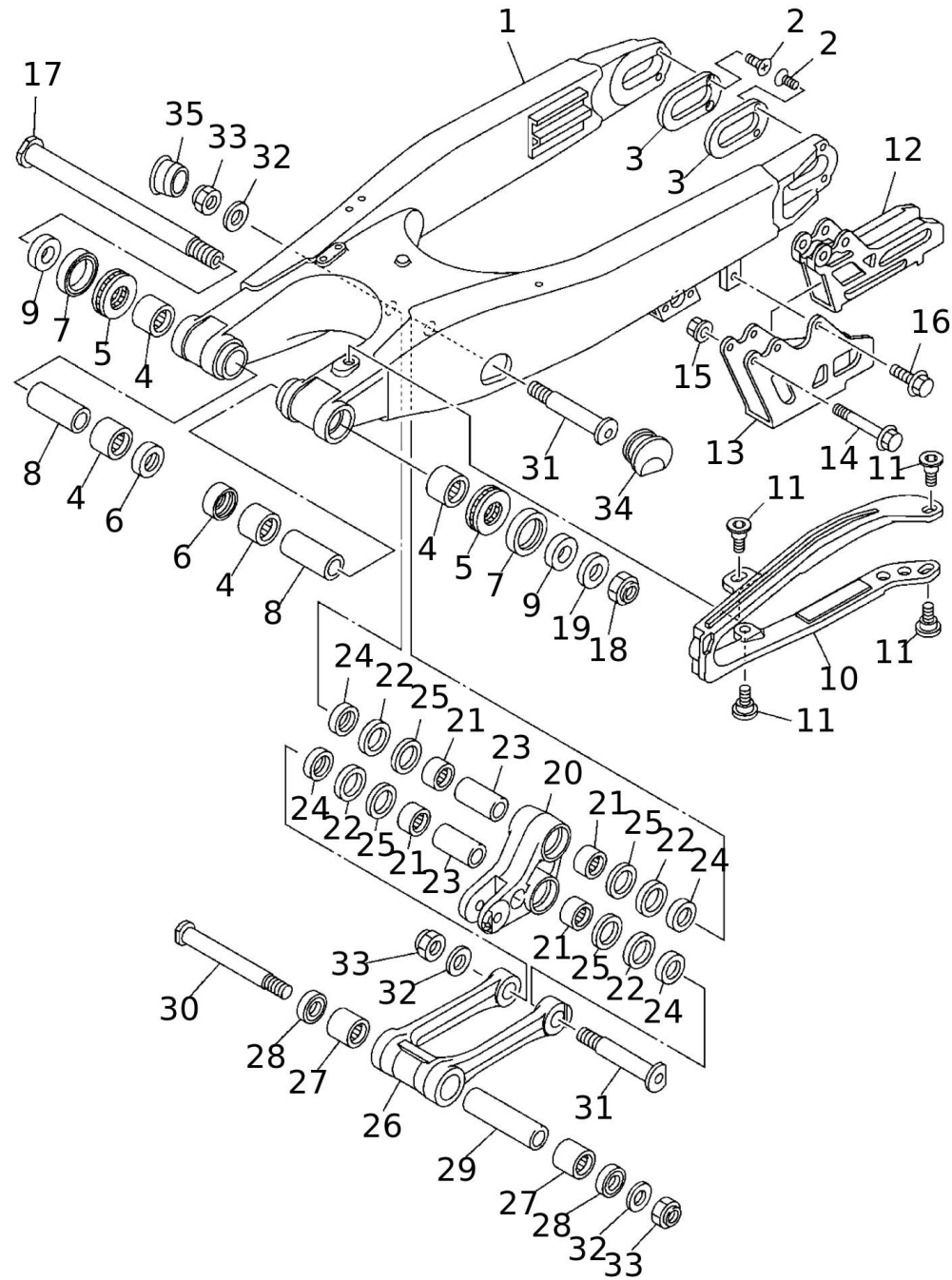
| # | Code | Beschreibung | Spezifikation | ME | Anz. |
|---|------|--------------|---------------|----|------|
|---|------|--------------|---------------|----|------|



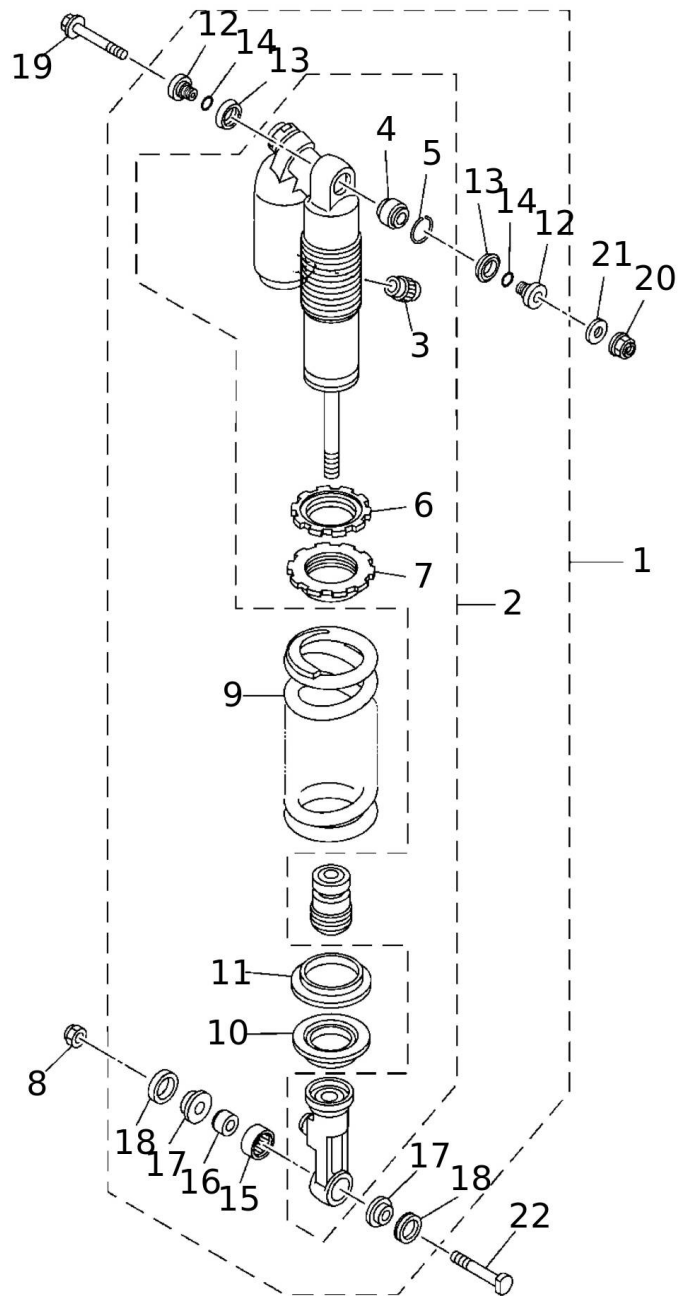
| #  | Code     | Beschreibung                            | Spezifikation | ME | Anz. |
|----|----------|---|---------------|----|------|
| 1  | 08057005 | FRONT FRAME COMP.                       |               | pz | 1    |
| 2  | 05994005 | SCHELLE KABELBAUM                       |               | pz | 1    |
| 3  | 05995005 | FUSSRASTENHALTER LINKS                  |               | pz | 1    |
| 4  | 05996005 | FUSSRASTENHALTER RECHTS                 |               | pz | 1    |
| 5  | 05997005 | SCHRAUBE                                |               | pz | 4    |
| 6  | 05657005 | SCHRAUBE                                |               | pz | 2    |
| 7  | 05999005 | SCHEIBE                                 |               | pz | 2    |
| 8  | 06000005 | RAHMENHECK                              |               | pz | 1    |
| 9  | 06001005 | GROMMET                                 |               | pz | 1    |
| 10 | 06002005 | SCHRAUBE                                |               | pz | 2    |
| 11 | 06003005 | BOLZEN                                  |               | pz | 1    |
| 12 | 06004005 | KETTENSPELLER OBEN                      |               | pz | 1    |
| 13 | 06005005 | BUCHSE                                  |               | pz | 1    |
| 14 | 06006005 | SCHEIBE                                 |               | pz | 2    |
| 15 | 06007005 | BUCHSE                                  |               | pz | 1    |
| 16 | 06933005 | SCHRAUBE 8X40 (TF 24) TE10 FLANSCH 14.5 |               | pz | 1    |
| 17 | 06009005 | KETTENROLLE UNTEN                       |               | pz | 1    |
| 18 | 06010005 | LAGER                                   |               | pz | 1    |
| 19 | 06011005 | BUCHSE                                  |               | pz | 1    |
| 20 | 06012005 | SCHRAUBE FLANSCH KLEIN                  |               | pz | 1    |
| 21 | 06013005 | NUT, SELF-LOCKING                       |               | pz | 1    |
| 22 | 06014005 | SCHEIBE                                 |               | pz | 1    |
| 23 | 08058005 | SCHRAUBE                                |               | pz | 1    |
| 24 | 06016005 | NUT, FLANGE                             |               | pz | 1    |
| 25 | 06017005 | SCHEIBE                                 |               | pz | 1    |
| 26 | 08059005 | HALTER MOTOR                            |               | pz | 2    |
| 27 | 08060005 | SCHRAUBE                                |               | pz | 2    |
| 28 | 06020005 | MUTTER                                  |               | pz | 2    |
| 29 | 06021005 | SCHEIBE                                 |               | pz | 4    |
| 30 | 08061005 | SCHRAUBE                                |               | pz | 1    |
| 31 | 06016005 | NUT, FLANGE                             |               | pz | 1    |
| 32 | 06017005 | SCHEIBE                                 |               | pz | 1    |
| 33 | 08062005 | SCHRAUBE                                |               | pz | 1    |
| 34 | 06016005 | NUT, FLANGE                             |               | pz | 1    |
| 35 | 06338005 | FUSSRASTE LINKS                         |               | pz | 1    |
| 36 | 06339005 | FUSSRASTE RECHTS                        |               | pz | 1    |
| 37 | 06340005 | FEDER                                   |               | pz | 1    |
| 38 | 06341005 | FEDER                                   |               | pz | 1    |
| 39 | 06342005 | STIFT                                   |               | pz | 2    |
| 40 | 06343005 | SCHEIBE                                 |               | pz | 2    |

| #  | Code     | Beschreibung          | Spezifikation | ME | Anz. |
|----|----------|-----------------------|---------------|----|------|
| 41 | 06344005 | SICHERUNGSTIFT        |               | pz | 2    |
| 42 | 06025005 | DADO                  |               | pz | 2    |
| 43 | 06017005 | SCHEIBE               |               | pz | 1    |
| 44 | 06345005 | HALTER SEITENSTAENDER |               | pz | 1    |

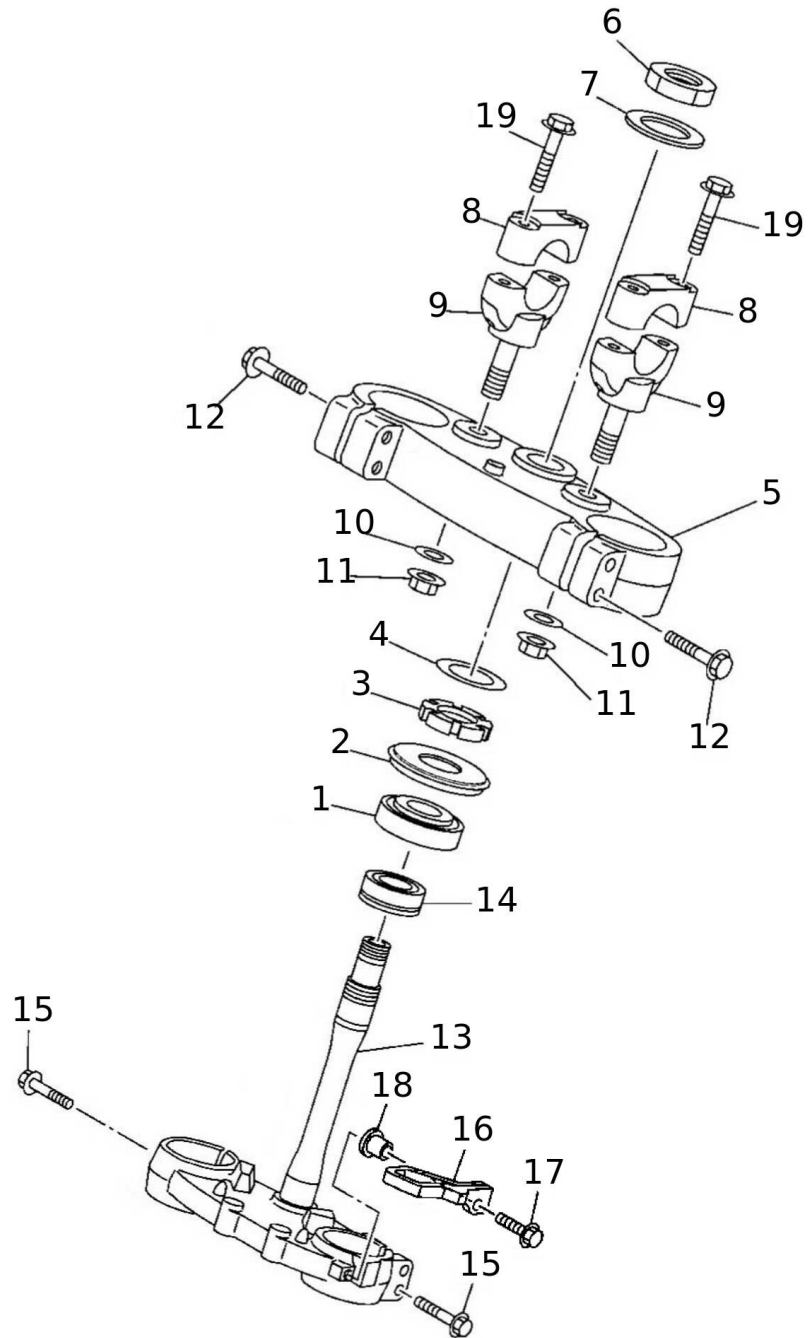




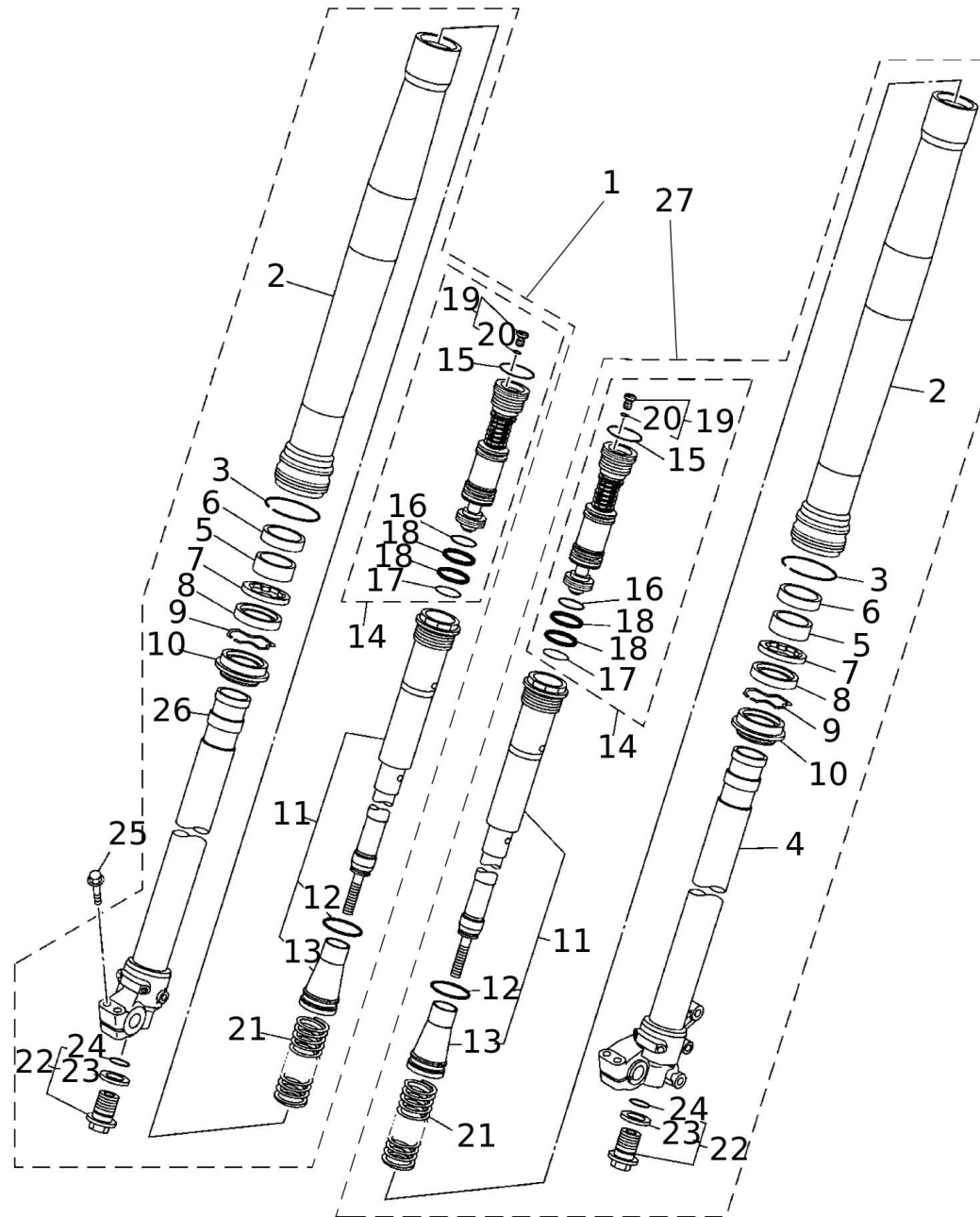
| #  | Code     | Beschreibung           | Spezifikation | ME | Anz. |
|----|----------|------------------------|---------------|----|------|
| 1  | 06031005 | SCHWINGE               |               | pz | 1    |
| 2  | 06032005 | SCHRAUBE               |               | pz | 4    |
| 3  | 08064005 | PATCH                  |               | pz | 2    |
| 4  | 06034005 | LAGER                  |               | pz | 4    |
| 5  | 06035005 | LAGER                  |               | pz | 2    |
| 6  | 06036005 | SIMMERRING             |               | pz | 2    |
| 7  | 06037005 | SIMMERRING             |               | pz | 2    |
| 8  | 08065005 | BUCHSE                 |               | pz | 2    |
| 9  | 06039005 | BUCHSE                 |               | pz | 2    |
| 10 | 06040005 | KETTENSCHLEIFER        |               | pz | 1    |
| 11 | 06041005 | SCHRAUBE               |               | pz | 4    |
| 12 | 06042005 | HALTER KETTE           |               | pz | 1    |
| 13 | 06043005 | ABDECKUNG HALTER KETTE |               | pz | 1    |
| 14 | 06044005 | SCHRAUBE               |               | pz | 2    |
| 15 | 06045005 | MUTTER                 |               | pz | 2    |
| 16 | 06046005 | SCHRAUBE               |               | pz | 1    |
| 17 | 06047005 | SCHWINGENACHSE         |               | pz | 1    |
| 18 | 06048005 | NUT, SELF-LOCKING      |               | pz | 1    |
| 19 | 06049005 | SCHEIBE                |               | pz | 1    |
| 20 | 06050005 | HEBEL                  |               | pz | 1    |
| 21 | 06051005 | LAGER                  |               | pz | 4    |
| 22 | 06052005 | SIMMERRING             |               | pz | 4    |
| 23 | 06053005 | BUCHSE                 |               | pz | 2    |
| 24 | 06054005 | SCHEIBE                |               | pz | 4    |
| 25 | 06055005 | SCHEIBE                |               | pz | 4    |
| 26 | 06056005 | PLEUEL                 |               | pz | 1    |
| 27 | 06051005 | LAGER                  |               | pz | 2    |
| 28 | 06058005 | SIMMERRING             |               | pz | 2    |
| 29 | 06059005 | BUCHSE                 |               | pz | 1    |
| 30 | 06060005 | STIFT                  |               | pz | 1    |
| 31 | 06061005 | STIFT                  |               | pz | 2    |
| 32 | 06062005 | SCHEIBE                |               | pz | 3    |
| 33 | 06063005 | NUT, SELF-LOCKING      |               | pz | 3    |
| 34 | 06064005 | ABDECKUNG LINKS        |               | pz | 1    |
| 35 | 06065005 | ABDECKUNG RECHTS 2     |               | pz | 1    |



| #  | Code     | Beschreibung              | Spezifikation | ME | Anz. |
|----|----------|---------------------------|---------------|----|------|
| 1  | 08066005 | SHOCK ABSORBER ASSY, REAR |               | pz | 1    |
| 2  | 08067005 | .DAMPER SUB ASSY          |               | pz | 1    |
| 3  | 06069005 | KAPPE ENTLUEFTERVENTIL    |               | pz | 1    |
| 4  | 06070005 | UNIBALL STOSSDAEMPFER     |               | pz | 1    |
| 5  | 06071005 | SICHERUNGSRING            |               | pz | 1    |
| 6  | 06072005 | MUTTER                    |               | pz | 1    |
| 7  | 06073005 | EINSTELLER FEDER          |               | pz | 1    |
| 8  | 06089005 | MUTTER SELBSTSICHERND     |               | pz | 1    |
| 9  | 06075005 | FEDER K=46 N/MM           | ACCESSORY     | pz | 1    |
| 9  | 06401005 | FEDER K=42N/MM            | ACCESSORY     | pz | 1    |
| 9  | 06402005 | FEDER K=44N/MM            | ACCESSORY     | pz | 1    |
| 9  | 06403005 | FEDER K=48N/MM            | STD           | pz | 1    |
| 9  | 06404005 | FEDER K=50N/MM            | ACCESSORY     | pz | 1    |
| 9  | 06405005 | FEDER K=52N/MM            | ACCESSORY     | pz | 1    |
| 9  | 06406005 | FEDER K=54N/MM            | ACCESSORY     | pz | 1    |
| 9  | 06407005 | FEDER K=56N/MM            | ACCESSORY     | pz | 1    |
| 9  | 06408005 | FEDER K=APPROX.44N/MM     | ACCESSORY     | pz | 1    |
| 9  | 06409005 | FEDER K=APPROX.46N/MM     | ACCESSORY     | pz | 1    |
| 9  | 06410005 | FEDER K=APPROX.48N/MM     | ACCESSORY     | pz | 1    |
| 9  | 06411005 | FEDER K=APPROX.50N/MM     | ACCESSORY     | pz | 1    |
| 9  | 06412005 | FEDER K=APPROX.52N/MM     | ACCESSORY     | pz | 1    |
| 9  | 06413005 | FEDER K=APPROX.54N/MM     | ACCESSORY     | pz | 1    |
| 9  | 06414005 | FEDER K=APPROX.56N/MM     | ACCESSORY     | pz | 1    |
| 10 | 06076005 | FUEHRUNG UNTERE FEDER     |               | pz | 1    |
| 11 | 06077005 | FUEHRUNG OBERE FEDER      |               | pz | 1    |
| 12 | 06078005 | BUCHSE DISTANZSTUECK      |               | pz | 2    |
| 13 | 08256005 | SIMMERRING                |               | pz | 2    |
| 14 | 06080005 | SIMMERRING                |               | pz | 2    |
| 15 | 06081005 | LAGER                     |               | pz | 1    |
| 16 | 06082005 | LAGER                     |               | pz | 1    |
| 17 | 06083005 | BUCHSE DISTANZSTUECK      |               | pz | 2    |
| 18 | 06084005 | COLLAR ASSY               |               | pz | 2    |
| 19 | 06085005 | SCHRAUBE                  |               | pz | 1    |
| 20 | 06086005 | MUTTER SELBSTSICHERND     |               | pz | 1    |
| 21 | 06017005 | SCHEIBE                   |               | pz | 1    |
| 22 | 06088005 | SCHRAUBE                  |               | pz | 1    |

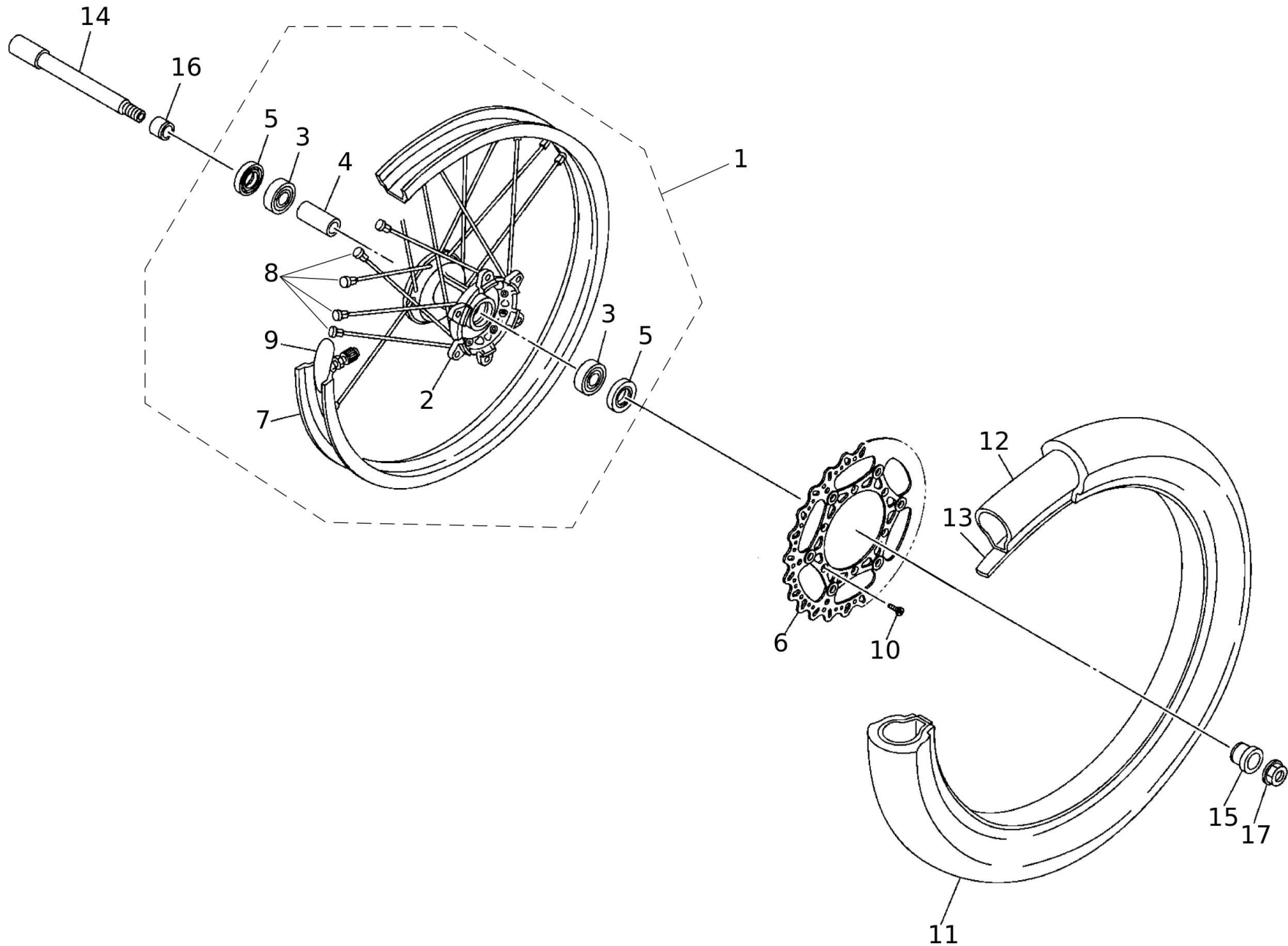


| #  | Code     | Beschreibung                    | Spezifikation | ME | Anz. |
|----|----------|---------------------------------|---------------|----|------|
| 1  | 06093005 | LAGER                           |               | pz | 1    |
| 2  | 06094005 | ABDECKUNG LAGER                 |               | pz | 1    |
| 3  | 06095005 | DADO                            |               | pz | 1    |
| 4  | 06096005 | SCHEIBE                         |               | pz | 1    |
| 5  | 06097005 | PIASTRA DI STERZO SUPERIORE     |               | pz | 1    |
| 6  | 06098005 | DADO                            |               | pz | 1    |
| 7  | 06099005 | SCHEIBE                         |               | pz | 1    |
| 8  | 06100005 | SUPPORTO SUPERIORE MANUBRIO     |               | pz | 2    |
| 9  | 06101005 | SUPPORTO INFERIORE MANUBRIO     |               | pz | 2    |
| 10 | 06102005 | SCHEIBE                         |               | pz | 2    |
| 11 | 06103005 | NUT, SELF-LOCKING               |               | pz | 2    |
| 12 | 06104005 | SCHRAUBE                        |               | pz | 4    |
| 13 | 08072005 | UNTERE PLATTE                   |               | pz | 1    |
| 14 | 06154005 | LAGER                           |               | pz | 1    |
| 15 | 07007005 | SCHRAUBE 8X35 TE10 FLANSCH 14.5 |               | pz | 4    |
| 16 | 07520005 | KABELFUEHRUNG                   |               | pz | 1    |
| 17 | 06749005 | SCHRAUBE 6X16 TE8 FLANSCH 10.5  |               | pz | 1    |
| 18 | 06158005 | BUCHSE                          |               | pz | 1    |
| 19 | 06812005 | SCHRAUBE                        |               | pz | 4    |

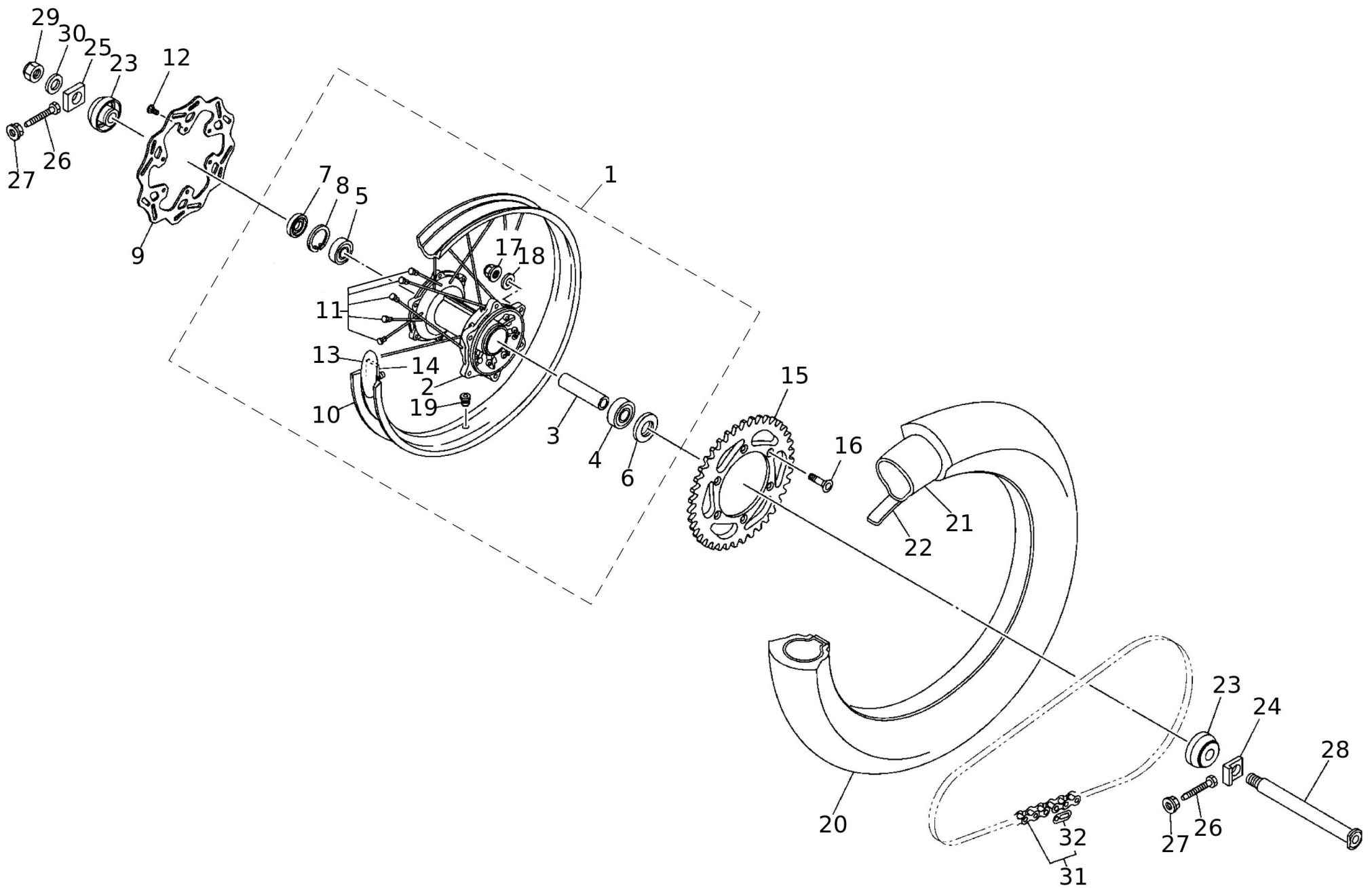


| #  | Code     | Beschreibung                    | Spezifikation | ME | Anz. |
|----|----------|---------------------------------|---------------|----|------|
| 1  | 08071005 | FRONT FORK ASSY (R.H)           |               | pz | 1    |
| 2  | 06106005 | GABELROHR LINKS                 |               | pz | 2    |
| 3  | 06107005 | SICHERUNGSRING                  |               | pz | 2    |
| 4  | 06108005 | .INNERTUBECOMP. 2               |               | pz | 1    |
| 5  | 06109005 | DAEMPFER GABEL V                |               | pz | 2    |
| 6  | 06110005 | BUCHSE                          |               | pz | 2    |
| 7  | 06111005 | SCHEIBE                         |               | pz | 2    |
| 8  | 06112005 | SIMMERRING                      |               | pz | 2    |
| 9  | 06113005 | SICHERUNGSRING                  |               | pz | 2    |
| 10 | 06114005 | STAUBKAPPE                      |               | pz | 2    |
| 11 | 08069005 | .CYLINDER COMP.,FRONT FORK      |               | pz | 2    |
| 12 | 06116005 | ORING                           |               | pz | 2    |
| 13 | 06117005 | FEDERTELLER OBEN                |               | pz | 2    |
| 14 | 06118005 | .VALVE COMP.                    |               | pz | 2    |
| 15 | 06119005 | ORING                           |               | pz | 2    |
| 16 | 06120005 | ORING                           |               | pz | 2    |
| 17 | 06121005 | ORING                           |               | pz | 2    |
| 18 | 06122005 | ORING                           |               | pz | 4    |
| 19 | 06123005 | LUFTVENTIL                      |               | pz | 2    |
| 20 | 06124005 | ORING                           |               | pz | 2    |
| 21 | 06415005 | FEDER V K=3.9N/MM               |               | pz | 2    |
| 21 | 06416005 | FEDER V K=4.0N/MM               |               | pz | 2    |
| 21 | 06417005 | FEDER VK=4.1N/MM                |               | pz | 2    |
| 21 | 06418005 | FEDER V K=4.2N/MM               |               | pz | 2    |
| 21 | 06419005 | FEDER VK=4.3N/MM                |               | pz | 2    |
| 21 | 06420005 | FEDER VK=4.4N/MM                |               | pz | 2    |
| 21 | 06421005 | FEDER V K=4.5N/MM               |               | pz | 2    |
| 21 | 06422005 | FEDER V K=4.6N/MM               |               | pz | 2    |
| 21 | 06423005 | FEDER V K=4.7N/MM               |               | pz | 2    |
| 22 | 06126005 | EINSTELLSCHRAUBE                |               | pz | 2    |
| 23 | 06127005 | DICHTUNG                        |               | pz | 2    |
| 24 | 06128005 | DICHTUNG                        |               | pz | 2    |
| 25 | 07007005 | SCHRAUBE 8X35 TE10 FLANSCH 14.5 |               | pz | 4    |
| 26 | 06132005 | .INNER TUBE COMP.1              |               | pz | 1    |
| 27 | 08068005 | FRONT FORK ASSY (L.H)           |               | pz | 1    |

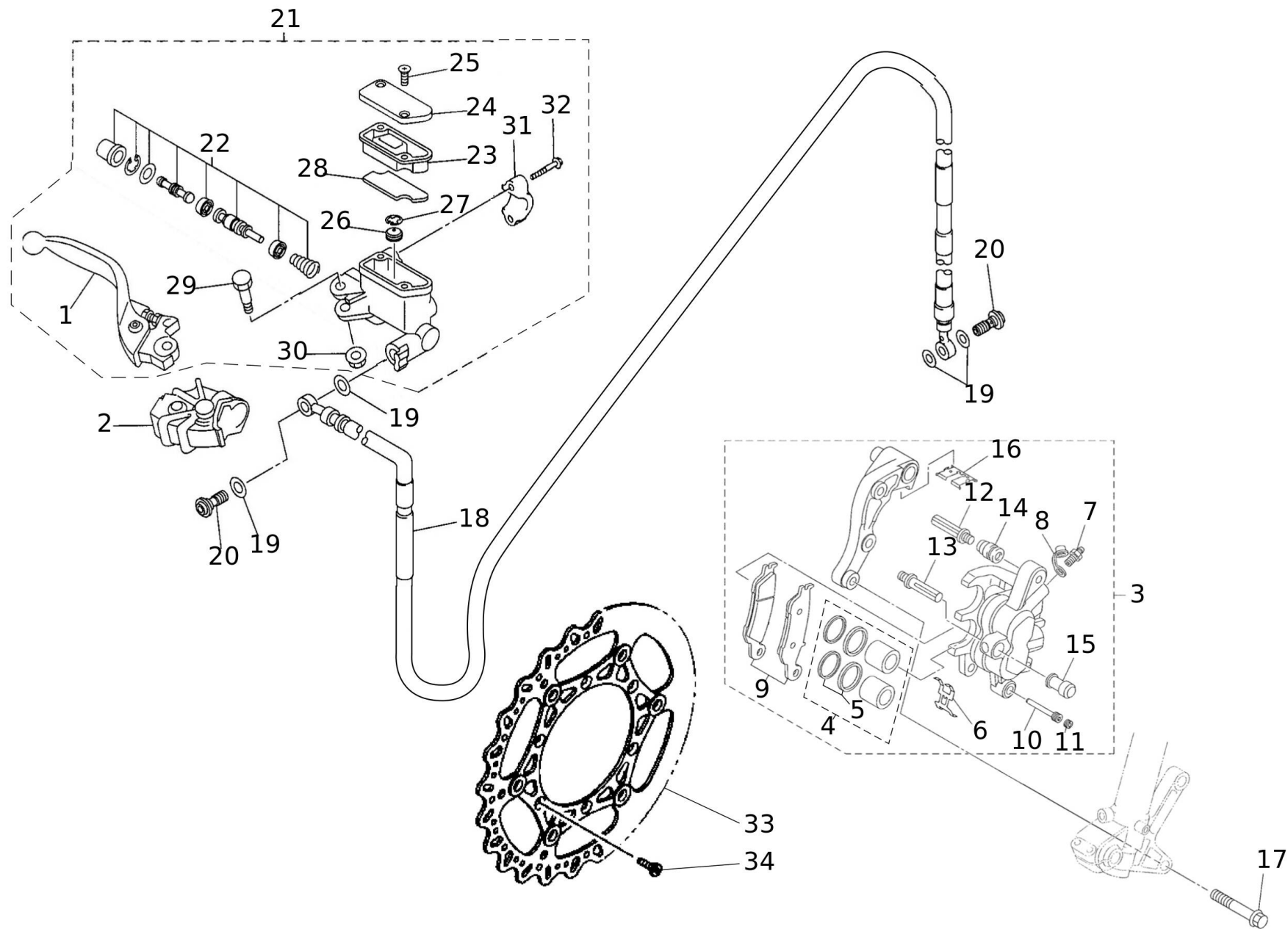




| #  | Code     | Beschreibung                       | Spezifikation | ME | Anz. |
|----|----------|------------------------------------|---------------|----|------|
| 1  | 09062020 | FR. RIM XX 125 ASSY                |               | pz | 1    |
| 2  | 06196005 | NABE VORNE                         |               | pz | 1    |
| 3  | 06197005 | LAGER                              |               | pz | 2    |
| 4  | 06198005 | SPACER, BEARING                    |               | pz | 1    |
| 5  | 06199005 | SIMMERRING                         |               | pz | 2    |
| 6  | 07547005 | GRUPPO DISCO FRENO                 |               | pz | 1    |
| 7  | 08548005 | CERCHIO (1.60-21) NERO             |               | pz | 1    |
| 8  | 06201005 | SPEICHENSATZ V                     |               | pz | 1    |
| 9  | 06205005 | VERSCHLUSS                         |               | pz | 1    |
| 10 | 06212005 | SCHRAUBE                           |               | pz | 6    |
| 11 | 08438005 | PNEUMATICO 80/100-21 MX32 MID SOFT |               | pz | 1    |
| 12 | 00234005 | SCHLAUCH V 21- CASA                |               | pz | 1    |
| 13 | 07531005 | FELGENBAND R21 1430 X 22           |               | pz | 1    |
| 14 | 06206005 | PERNO RUOTA ANTERIORE              |               | pz | 1    |
| 15 | 06207005 | COLLAR, WHEEL                      |               | pz | 1    |
| 16 | 06208005 | COLLAR, WHEEL                      |               | pz | 1    |
| 17 | 06209005 | DADO                               |               | pz | 1    |

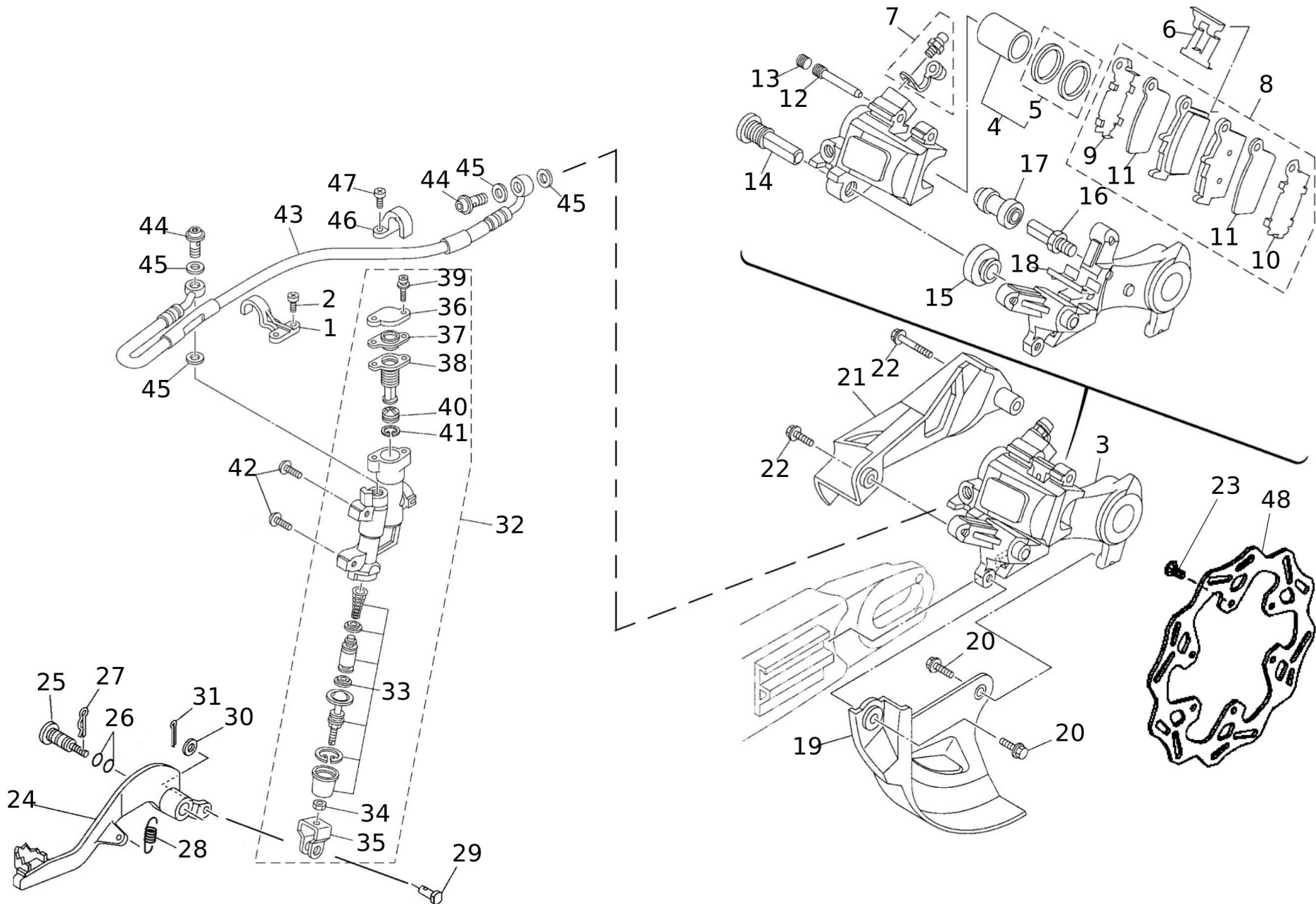


| #  | Code     | Beschreibung                       | Spezifikation | ME | Anz. |
|----|----------|------------------------------------|---------------|----|------|
| 1  | 09063020 | RR. RIM XX 125 ASSY                |               | pz | 1    |
| 2  | 06228005 | HUB, REAR                          |               | pz | 1    |
| 3  | 06229005 | SPACER, BEARING                    |               | pz | 1    |
| 4  | 06230005 | LAGER                              |               | pz | 1    |
| 5  | 06231005 | LAGER                              |               | pz | 1    |
| 6  | 06232005 | SIMMERRING                         |               | pz | 1    |
| 7  | 06233005 | SIMMERRING                         |               | pz | 1    |
| 8  | 06234005 | SICHERUNGSRING                     |               | pz | 1    |
| 9  | 07548005 | DISCO FRENO POSTERIORE 2           |               | pz | 1    |
| 10 | 08549005 | CERCHIO (2.15-19) NERO             |               | pz | 1    |
| 11 | 06236005 | SPEICHENSATZ H                     |               | pz | 1    |
| 12 | 06212005 | SCHRAUBE                           |               | pz | 6    |
| 13 | 08355005 | REIFENKLAMMER                      |               | pz | 1    |
| 14 | 06241005 | DAEMPFER                           |               | pz | 1    |
| 15 | 06242005 | KETTENRAD 48T                      | ACCESSORY     | pz | 1    |
| 15 | 06243005 | KETTENRAD 47T                      | ACCESSORY     | pz | 1    |
| 15 | 06247005 | KETTENRAD 52T                      | ACCESSORY     | pz | 1    |
| 15 | 08468001 | CORONA POST 51D MY22               | ACCESSORY     | pz | 1    |
| 15 | 08696005 | CORONA POST 50D MY22               | STD           | pz | 1    |
| 15 | 08697005 | CORONA POST 49D MY22               | ACCESSORY     | pz | 1    |
| 16 | 06248005 | SCHRAUBE                           |               | pz | 6    |
| 17 | 06249005 | MUTTER SELBSTSICHERND              |               | pz | 6    |
| 18 | 06014005 | SCHEIBE                            |               | pz | 6    |
| 19 | 06973005 | GROMMET                            |               | pz | 1    |
| 20 | 08440005 | PNEUMATICO 110/90-19 MX32 MID SOFT |               | pz | 1    |
| 21 | 08453005 | CAMERA ARIA 110/90-19 130/70-19    |               | pz | 1    |
| 22 | 07529005 | FLAP R19 1370 X 25                 |               | pz | 1    |
| 23 | 06252005 | STUTZEN                            |               | pz | 2    |
| 24 | 06253005 | PULLER, CHAIN 1                    |               | pz | 1    |
| 25 | 06254005 | PULLER, CHAIN 2                    |               | pz | 1    |
| 26 | 06255005 | SCHRAUBE                           |               | pz | 2    |
| 27 | 05627005 | MUTTER                             |               | pz | 2    |
| 28 | 06257005 | AXLE, WHEEL                        |               | pz | 1    |
| 29 | 06258005 | NUT, SELF-LOCKING                  |               | pz | 1    |
| 30 | 06259005 | SCHEIBE                            |               | pz | 1    |
| 31 | 07556005 | CATENA DID520DMA4 L114             |               | pz | 1    |
| 32 | 06261005 | KETTENSCHLOSS DID520DM G&B-RJ      |               | pz | 1    |



| #  | Code     | Beschreibung                     | Spezifikation | ME | Anz. |
|----|----------|----------------------------------|---------------|----|------|
| 1  | 08740005 | LEVA FRENO ANT.                  |               | pz | 1    |
| 2  | 06328005 | ABDECKUNG HEBEL                  |               | pz | 1    |
| 3  | 08428005 | ASSIEME PINZA FRENO ANT          |               | pz | 1    |
| 4  | 08426001 | KOLBENKIT                        |               | pz | 1    |
| 5  | 08460001 | DICHTSATZ BREMSZANGE             |               | pz | 1    |
| 6  | 08462001 | HALTER BELAEGE                   |               | pz | 1    |
| 7  | 06217005 | ENTLUEFTUNGSSCHRAUBE             |               | pz | 1    |
| 8  | 06276005 | KIT ENTLUEFTUNGSSCHRAUBE         |               | pz | 1    |
| 9  | 08739005 | PASTIGLIE FRENO ANT              |               | pz | 1    |
| 10 | 06220005 | PIN BREMSBELAEGE                 |               | pz | 1    |
| 11 | 06221005 | STOPFEN                          |               | pz | 1    |
| 12 | 06222005 | SCHRAUBE                         |               | pz | 1    |
| 13 | 06223005 | PIN                              |               | pz | 1    |
| 14 | 06224005 | GUMMI                            |               | pz | 1    |
| 15 | 06225005 | GUMMI                            |               | pz | 1    |
| 16 | 06226005 | HALTER BELAEGE                   |               | pz | 1    |
| 17 | 06227005 | SCHRAUBE                         |               | pz | 2    |
| 18 | 06312005 | HOSE, BRAKE 1                    |               | pz | 1    |
| 19 | 06313005 | DICHTUNG                         |               | pz | 4    |
| 20 | 06314005 | BOLZEN                           |               | pz | 2    |
| 21 | 09075020 | FR. MASTER CYLINDER ASSY XX MY22 |               | pz | 1    |
| 22 | 06316005 | KIT BREMSPUMPE                   |               | pz | 1    |
| 23 | 06317005 | DIAFRAMMA SERBATOIO              |               | pz | 1    |
| 24 | 06318005 | ABDECKUNG BREMSPUMPE             |               | pz | 1    |
| 25 | 06329005 | SCHRAUBE                         |               | pz | 2    |
| 26 | 06320005 | SEPARATOR                        |               | pz | 1    |
| 27 | 06321005 | SICHERUNGSRING                   |               | pz | 1    |
| 28 | 06322005 | SCHWIMMER                        |               | pz | 1    |
| 29 | 06324005 | SCHRAUBE HEBEL                   |               | pz | 1    |
| 30 | 06325005 | MUTTER MIT SCHEIBE               |               | pz | 1    |
| 31 | 06326005 | HALTER BREMSPUMPE                |               | pz | 1    |
| 32 | 06327005 | SCHRAUBE                         |               | pz | 2    |
| 33 | 07547005 | GRUPPO DISCO FRENO               |               | pz | 1    |
| 34 | 06212005 | SCHRAUBE                         |               | pz | 6    |

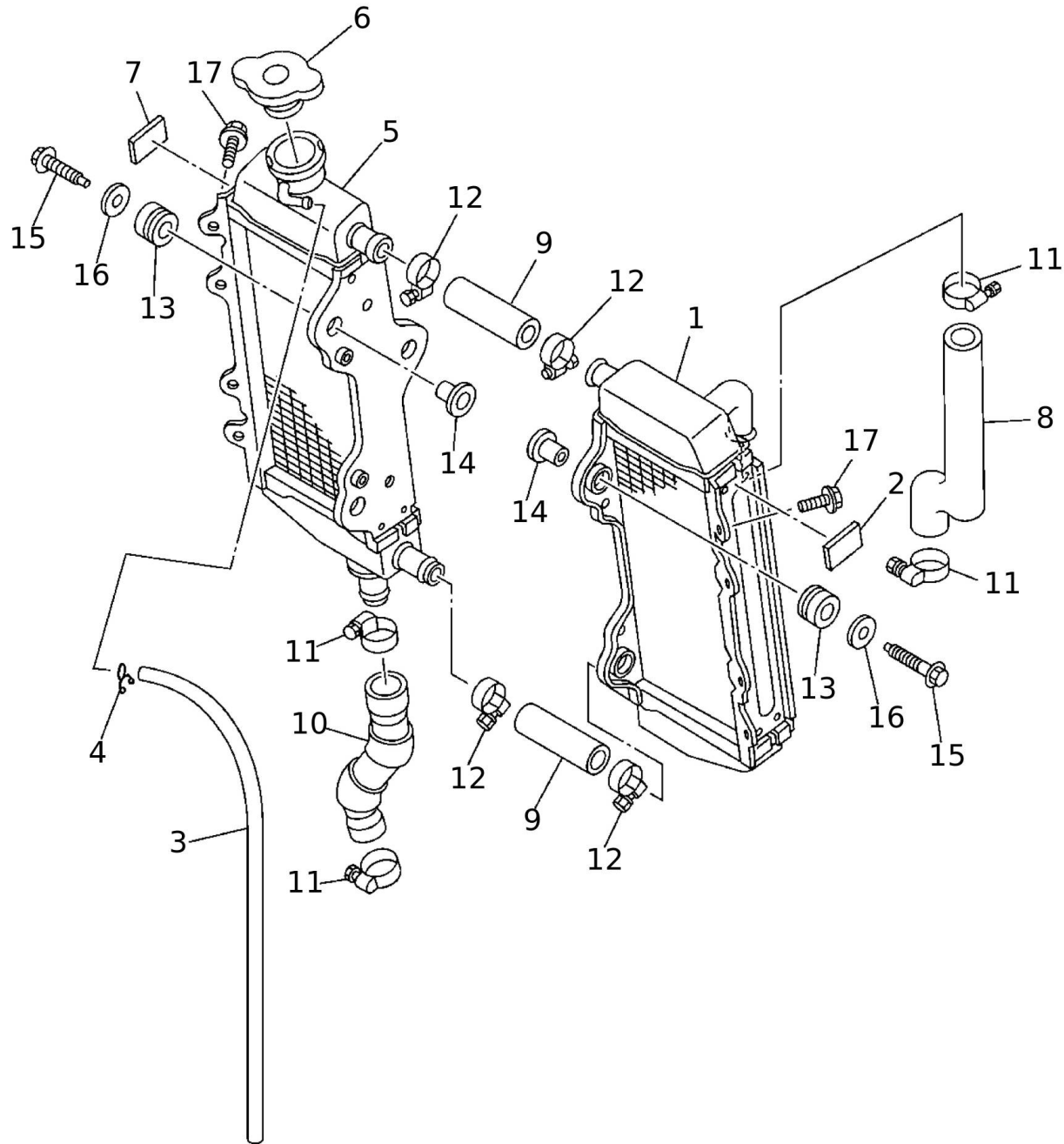




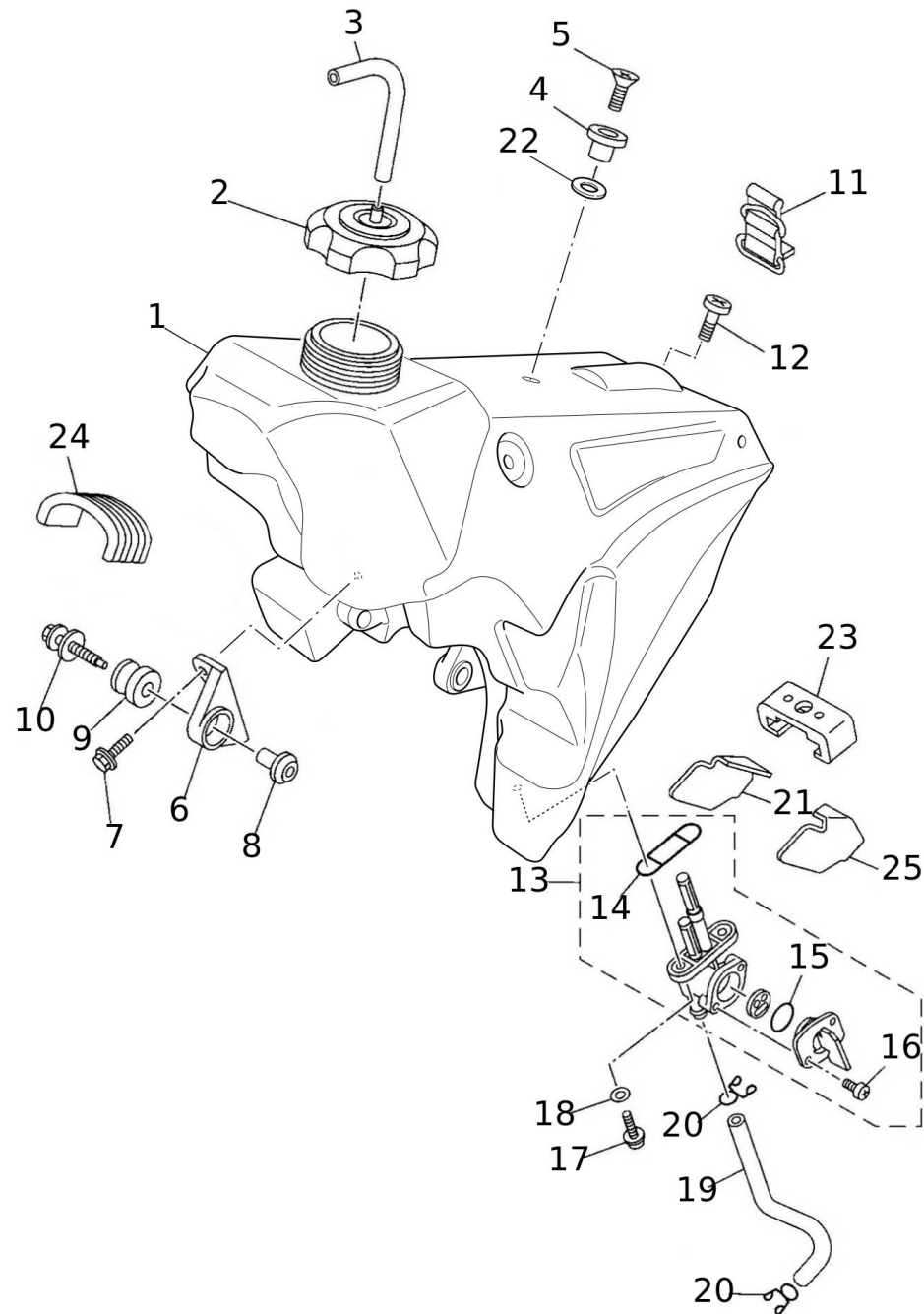
| #  | Code     | Beschreibung                   | Spezifikation | ME | Anz. |
|----|----------|--------------------------------|---------------|----|------|
| 1  | 06370005 | HALTER BREMSLEITUNG            |               | pz | 1    |
| 2  | 06369005 | SCHRAUBE                       |               | pz | 2    |
| 3  | 08658005 | CALIPER ASSY, REAR 2           |               | pz | 1    |
| 4  | 06273005 | KOLBENKIT BREMSZANGE           |               | pz | 1    |
| 5  | 06274005 | DICHTSATZ BREMSZANGE           |               | pz | 1    |
| 6  | 06275005 | HALTER BELAEGE                 |               | pz | 1    |
| 7  | 06276005 | KIT ENTLUEFTUNGSSCHRAUBE       |               | pz | 1    |
| 8  | 08076005 | .BRAKE PAD KIT 2               |               | pz | 1    |
| 9  | 06278005 | DISTANZSCHEIBE                 |               | pz | 1    |
| 10 | 06279005 | DISTANZSCHEIBE                 |               | pz | 1    |
| 11 | 06280005 | HITZESCHUTZ                    |               | pz | 2    |
| 12 | 06281005 | PIN BREMSBELAEGE               |               | pz | 1    |
| 13 | 06221005 | STOPFEN                        |               | pz | 1    |
| 14 | 06283005 | PIN                            |               | pz | 1    |
| 15 | 06224005 | GUMMI                          |               | pz | 1    |
| 16 | 06285005 | PIN                            |               | pz | 1    |
| 17 | 06225005 | GUMMI                          |               | pz | 1    |
| 18 | 06287005 | HALTER                         |               | pz | 1    |
| 19 | 06288005 | SCHUTZ BREMSSCHEIBE            |               | pz | 1    |
| 20 | 06722005 | SCHRAUBE 6X12 TE8 FLANSCH 10.5 |               | pz | 2    |
| 21 | 07543005 | PROTEZIONE PINZA               |               | pz | 1    |
| 22 | 06726005 | SCHRAUBE 6X20 TE8 FLANSCH 10.5 |               | pz | 2    |
| 23 | 06248005 | SCHRAUBE                       |               | pz | 6    |
| 24 | 06330005 | PEDAL, BRAKE                   |               | pz | 1    |
| 25 | 06331005 | SCHRAUBE                       |               | pz | 1    |
| 26 | 06332005 | ORING                          |               | pz | 2    |
| 27 | 06333005 | SICHERUNGSRING                 |               | pz | 1    |
| 28 | 06334005 | FEDER                          |               | pz | 1    |
| 29 | 06335005 | STIFT                          |               | pz | 1    |
| 30 | 06336005 | SCHEIBE                        |               | pz | 1    |
| 31 | 06337005 | SICHERUNGSSTIFT                |               | pz | 1    |
| 32 | 06354005 | BREMSPUMPE HINTEN              |               | pz | 1    |
| 33 | 06355005 | KIT BREMSPUMPE                 |               | pz | 1    |
| 34 | 06356005 | DADO                           |               | pz | 1    |
| 35 | 06357005 | GELENK                         |               | pz | 1    |
| 36 | 06358005 | ABDECKUNG BREMSPUMPE           |               | pz | 1    |
| 37 | 06359005 | PLATTE                         |               | pz | 1    |
| 38 | 06360005 | DIAFRAMMA SERBATOIO            |               | pz | 1    |
| 39 | 06361005 | SCHRAUBE                       |               | pz | 2    |
| 40 | 06320005 | SEPARATOR                      |               | pz | 1    |



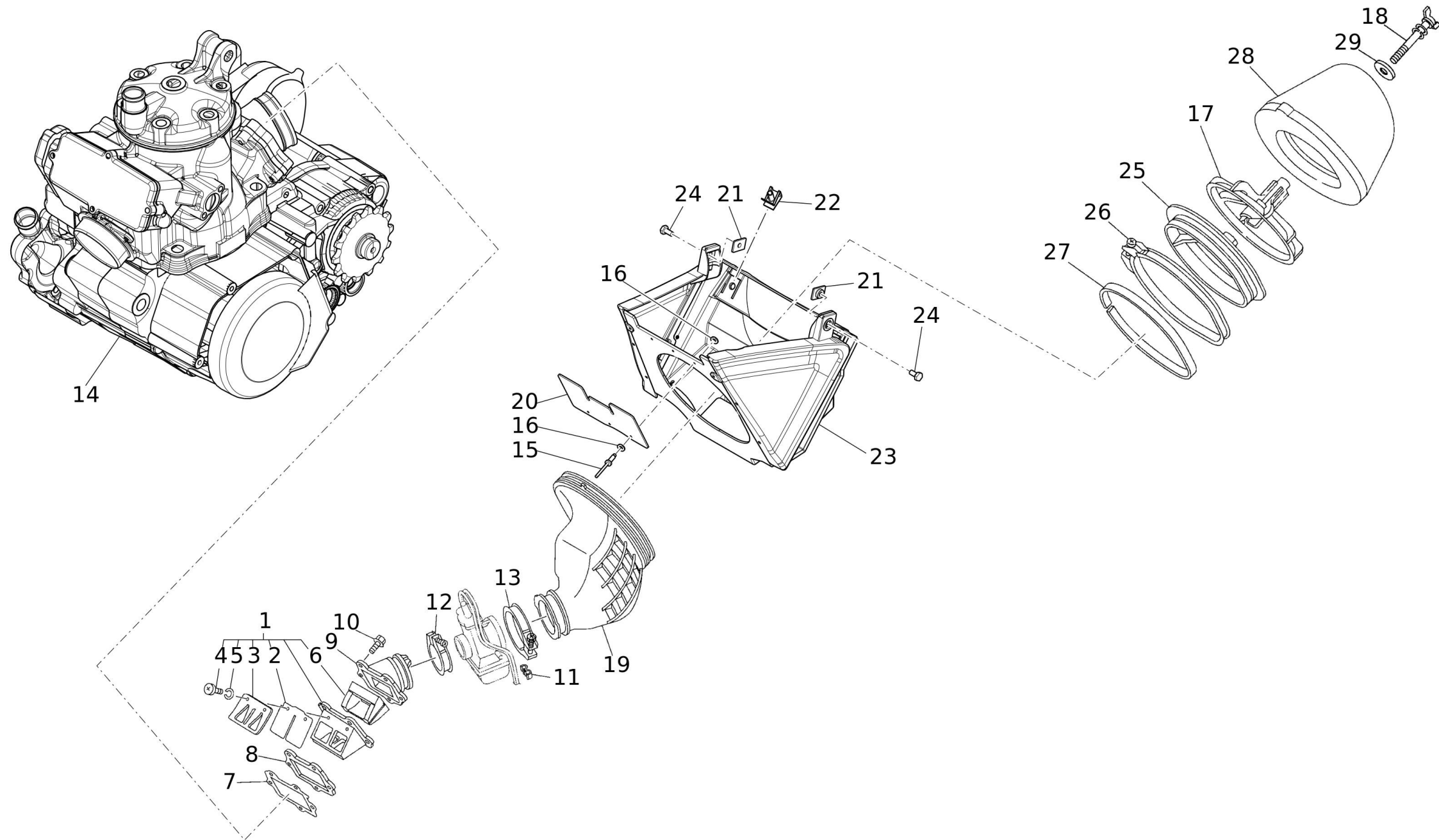
| #  | Code     | Beschreibung                       | Spezifikation | ME | Anz. |
|----|----------|------------------------------------|---------------|----|------|
| 41 | 06321005 | SICHERUNGSRING                     |               | pz | 1    |
| 42 | 07091005 | SCHRAUBE 6X16 SPECIALE EI5 FLANSCH |               | pz | 2    |
| 43 | 07544005 | TUBO FRENO 2                       |               | pz | 1    |
| 44 | 06314005 | BOLZEN                             |               | pz | 2    |
| 45 | 06313005 | DICHTUNG                           |               | pz | 4    |
| 46 | 06368005 | HALTER BREMSLEITUNG                |               | pz | 1    |
| 47 | 06369005 | SCHRAUBE                           |               | pz | 2    |
| 48 | 07548005 | DISCO FRENO POSTERIORE 2           |               | pz | 1    |



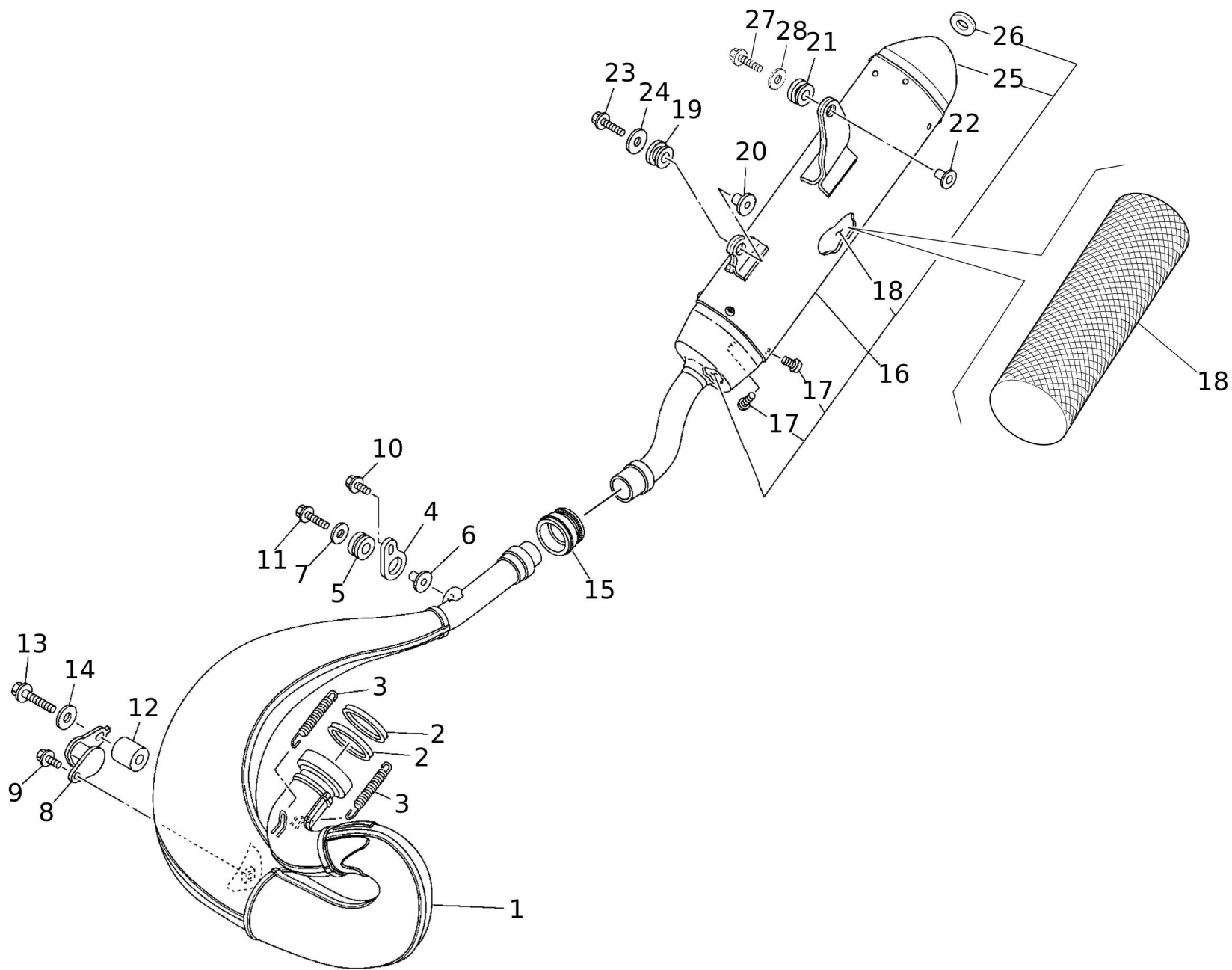
| #  | Code     | Beschreibung      | Spezifikation | ME | Anz. |
|----|----------|-------------------|---------------|----|------|
| 1  | 07841005 | KUEHLER LI 250 2T |               | pz | 1    |
| 2  | 05712005 | GUMMI KUEHLER     |               | pz | 1    |
| 3  | 05713005 | SCHLAUCH          |               | pz | 1    |
| 4  | 05714005 | CLIP              |               | pz | 1    |
| 5  | 07842005 | KUEHLER RE 250 2T |               | pz | 1    |
| 6  | 05716005 | KUEHLERDECKEL     |               | pz | 1    |
| 7  | 05712005 | GUMMI KUEHLER     |               | pz | 1    |
| 8  | 07843005 | KUEHLERLEITUNG    |               | pz | 1    |
| 9  | 07844005 | KUEHLERLEITUNG    |               | pz | 2    |
| 10 | 07845005 | KUEHLERLEITUNG    |               | pz | 1    |
| 11 | 05722005 | HOSE CLAMP ASSY   |               | pz | 4    |
| 12 | 05724005 | HOSE CLAMP ASSY   |               | pz | 4    |
| 13 | 05725005 | GROMMET           |               | pz | 6    |
| 14 | 05726005 | BUCHSE            |               | pz | 6    |
| 15 | 05727005 | BOLZEN            |               | pz | 6    |
| 16 | 05728005 | SCHEIBE           |               | pz | 6    |
| 17 | 05729005 | SCHRAUBE          |               | pz | 2    |



| #  | Code     | Beschreibung               | Spezifikation | ME | Anz. |
|----|----------|----------------------------|---------------|----|------|
| 1  | 06446005 | BENZINTANK CROSS/ENDURO 2T |               | pz | 1    |
| 2  | 06606005 | TANKDECKEL XX/XE           |               | pz | 1    |
| 3  | 06170005 | TUBO                       |               | pz | 1    |
| 4  | 06186005 | FIXIERUNG V SITZ           |               | pz | 1    |
| 5  | 06187005 | SCHRAUBE                   |               | pz | 1    |
| 6  | 06171005 | HALTER TANK                |               | pz | 2    |
| 7  | 06157005 | SCHRAUBE                   |               | pz | 4    |
| 8  | 06173005 | SCHEIBE                    |               | pz | 2    |
| 9  | 06174005 | GROMMET                    |               | pz | 2    |
| 10 | 06175005 | SCHRAUBE                   |               | pz | 2    |
| 11 | 06176005 | BAND TANK                  |               | pz | 1    |
| 12 | 08396005 | SCHRAUBE                   |               | pz | 1    |
| 13 | 06178005 | BENZINHAHN                 |               | pz | 1    |
| 14 | 06179005 | DICHTUNG                   |               | pz | 1    |
| 15 | 06180005 | DICHTUNG BENZINHAHN        |               | pz | 1    |
| 16 | 06181005 | SCHRAUBE                   |               | pz | 2    |
| 17 | 06182005 | SCHRAUBE                   |               | pz | 2    |
| 18 | 06183005 | SCHEIBE                    |               | pz | 2    |
| 19 | 07412005 | SCHLAUCH 7 X 12            |               | cm | 1    |
| 20 | 07533005 | Double wire hose clamp     |               | pz | 2    |
| 21 | 06192005 | GUMMI BENZINTANK           |               | pz | 1    |
| 22 | 00807005 | SCHEIBE 6X12               |               | pz | 1    |
| 23 | 06188005 | GUMMI BENZINTANK           |               | pz | 1    |
| 24 | 06189005 | GUMMI BENZINTANK           |               | pz | 1    |
| 25 | 06191005 | GUMMI BENZINTANK           |               | pz | 1    |

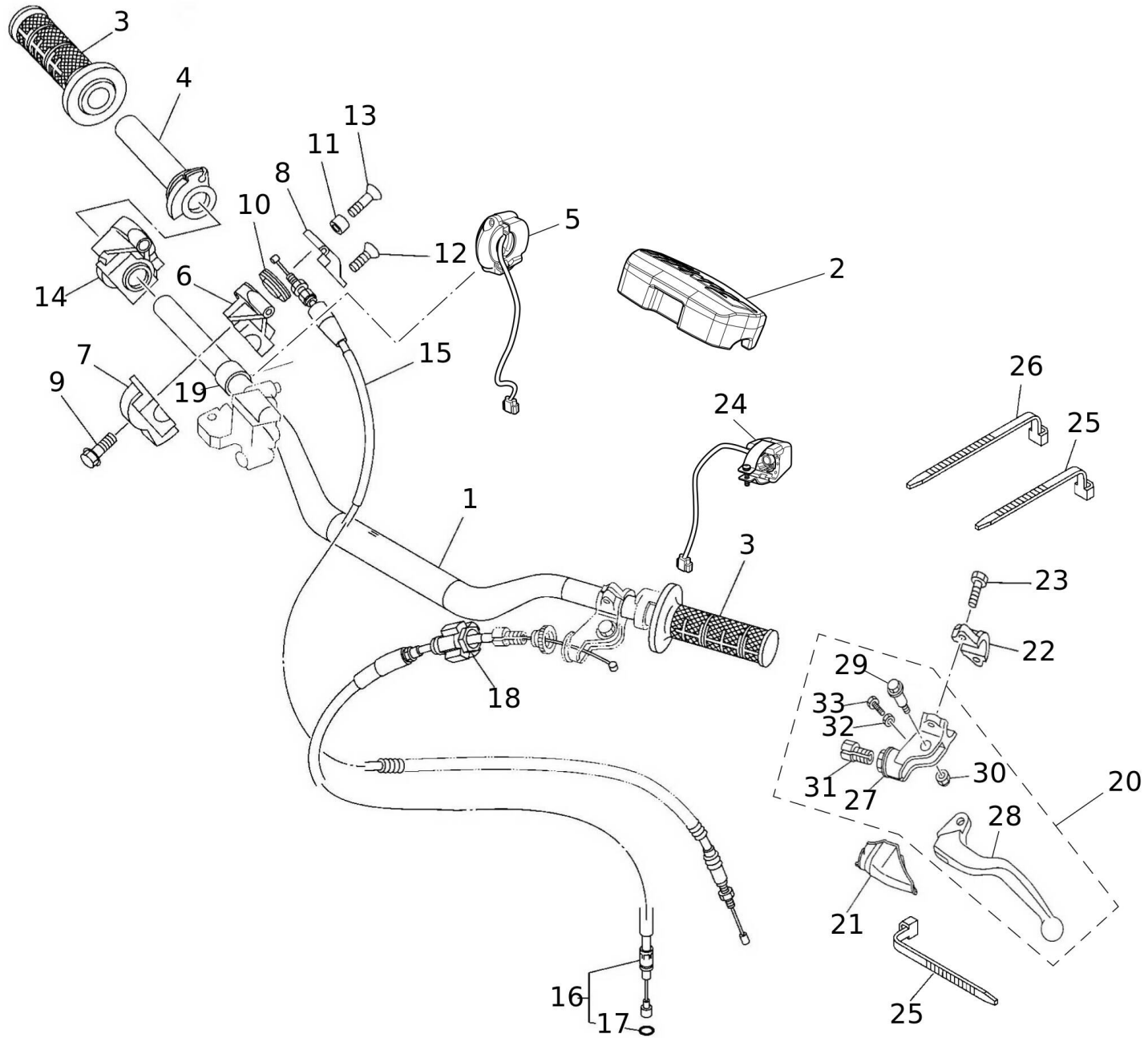


| #  | Code     | Beschreibung                 | Spezifikation | ME | Anz. |
|----|----------|------------------------------|---------------|----|------|
| 1  | 07846005 | LAMELLENVENTIL               |               | pz | 1    |
| 2  | 07847005 | LAMELLENVENTIL               |               | pz | 2    |
| 3  | 07848005 | HALTER LAMELLENVENTIL        |               | pz | 2    |
| 4  | 06181005 | SCHRAUBE                     |               | pz | 6    |
| 5  | 05734005 | SCHEIBE                      |               | pz | 6    |
| 6  | 07849005 | RAHMEN LAMELLEN              |               | pz | 1    |
| 7  | 07850005 | PLATTE LAMELLENVENTIL        |               | pz | 1    |
| 8  | 07851005 | DICHTUNG                     |               | pz | 1    |
| 9  | 07852005 | ANSAUGSTUTZEN                |               | pz | 1    |
| 10 | 07853005 | SCHRAUBE TCEI                |               | pz | 4    |
| 11 | 07854005 | CLIP                         |               | pz | 1    |
| 12 | 07855005 | SCHELLE                      |               | pz | 1    |
| 13 | 05739005 | HOSE CLAMP ASSY              |               | pz | 1    |
| 14 | 08652005 | WHOLE ENGINE 250 2T          |               | pz | 1    |
| 15 | 07411005 | RIVET UNI 9200A 3X11 SCHWARZ |               | pz | 3    |
| 16 | 02544005 | SCHEIBE M3                   |               | pz | 6    |
| 17 | 05755005 | FUEHRUNG                     | ACCESSORY     | pz | 1    |
| 18 | 05754005 | SCHRAUBE                     |               | pz | 1    |
| 19 | 07857005 | JOINT, AIR CLEANER 1         |               | pz | 1    |
| 20 | 07406005 | ABDECKUNG AIRBOX XE          |               | pz | 1    |
| 21 | 06568005 | MUTTER SCHUTZBLECH H         |               | pz | 2    |
| 22 | 05757005 | MUTTER                       |               | pz | 2    |
| 23 | 07461020 | FILTERGEHAEUSE XX/XE         |               | pz | 1    |
| 24 | 06560005 | BOLT                         |               | pz | 2    |
| 25 | 05746005 | HALTER FUEHRUNG              |               | pz | 1    |
| 26 | 05747005 | HOSE CLAMP ASSY              |               | pz | 1    |
| 27 | 05748005 | DISTANZIALE                  |               | pz | 1    |
| 28 | 05752005 | ELEMENT, AIR CLEANER         |               | pz | 1    |
| 29 | 05753005 | SCHEIBE                      |               | pz | 1    |

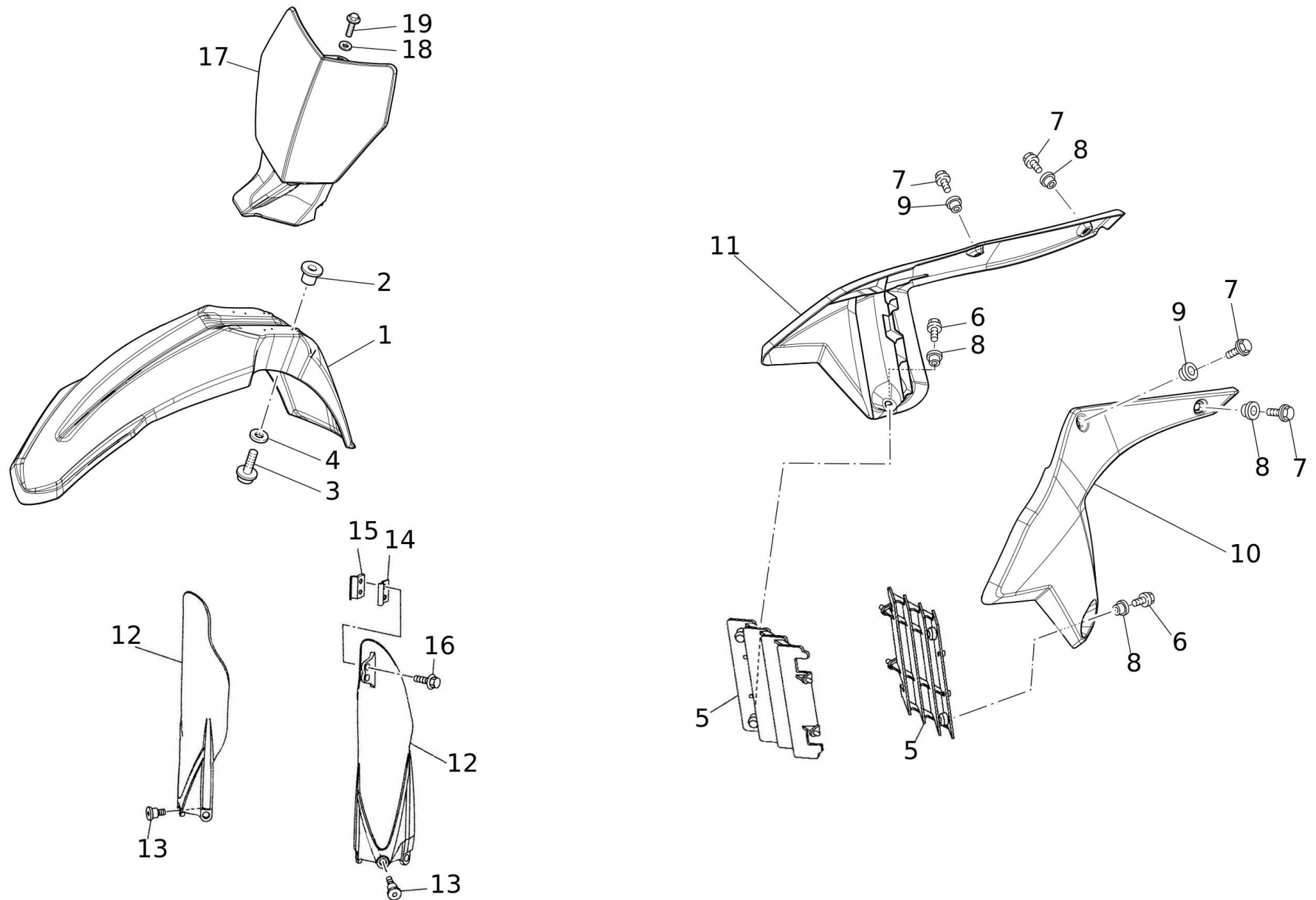




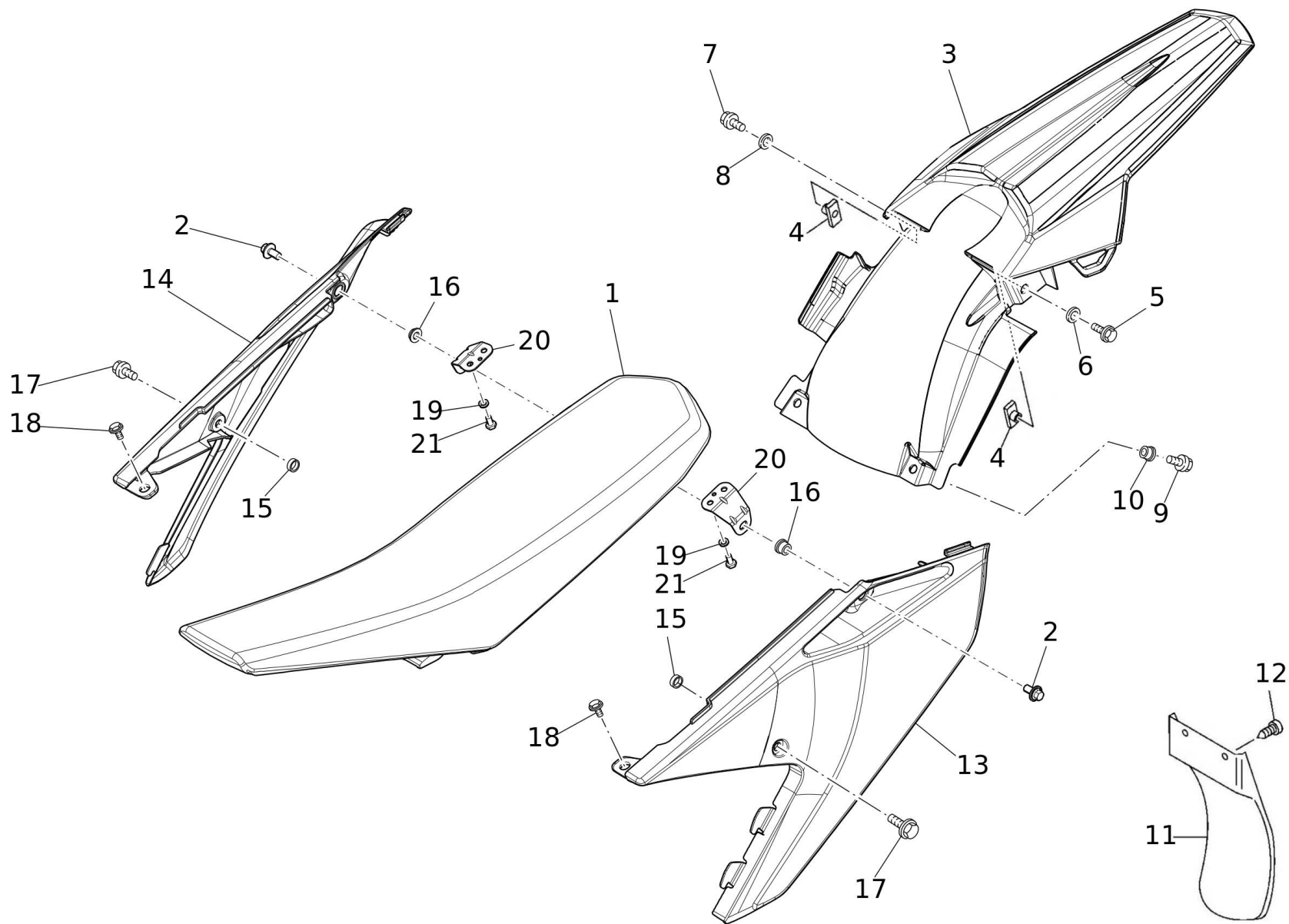
| #  | Code     | Beschreibung                    | Spezifikation | ME | Anz. |
|----|----------|---------------------------------|---------------|----|------|
| 1  | 07536005 | EXHAUST XX 250 2T               |               | pz | 1    |
| 2  | 08654005 | DICHTUNG AUSPUFF                |               | pz | 2    |
| 3  | 07940005 | FEDER SCHALLDAEMPFER            |               | pz | 2    |
| 4  | 05833005 | HALTER AUSPUFF                  |               | pz | 1    |
| 5  | 05834005 | GROMMET                         |               | pz | 1    |
| 6  | 05835005 | BUCHSE                          |               | pz | 1    |
| 7  | 05838005 | SCHEIBE                         |               | pz | 1    |
| 8  | 08655005 | HALTER AUSPUFF                  |               | pz | 1    |
| 9  | 07942005 | SCHRAUBE                        |               | pz | 1    |
| 10 | 07942005 | SCHRAUBE                        |               | pz | 1    |
| 11 | 05710005 | SCHRAUBE                        |               | pz | 1    |
| 12 | 07943005 | BUCHSE                          |               | pz | 1    |
| 13 | 07944005 | SCHRAUBE                        |               | pz | 1    |
| 14 | 07945005 | SCHEIBE                         |               | pz | 1    |
| 15 | 07946005 | STUTZEN SCHALLDAEMPFER          |               | pz | 1    |
| 16 | 07537005 | SILENCER XX 250 2T CROSS        |               | pz | 1    |
| 17 | 07465005 | SCHRAUBE AUSPUFF XX-XE          |               | pz | 4    |
| 18 | 09079005 | GERAEUSCHDAEMMUNG AUSPUFF XX250 |               | pz | 1    |
| 19 | 05847005 | GROMMET                         |               | pz | 1    |
| 20 | 05846005 | BUCHSE                          |               | pz | 1    |
| 21 | 05849005 | GROMMET                         |               | pz | 1    |
| 22 | 05848005 | BUCHSE                          |               | pz | 1    |
| 23 | 05844005 | BOLZEN                          |               | pz | 1    |
| 24 | 05845005 | SCHEIBE                         |               | pz | 1    |
| 25 | 07409005 | KAPPE AUSPUFF XE                |               | pz | 1    |
| 26 | 07390005 | MUFFLER GAS OUTLET GASKET       |               | pz | 1    |
| 27 | 06571005 | BOLZEN                          |               | pz | 1    |
| 28 | 05838005 | SCHEIBE                         |               | pz | 1    |



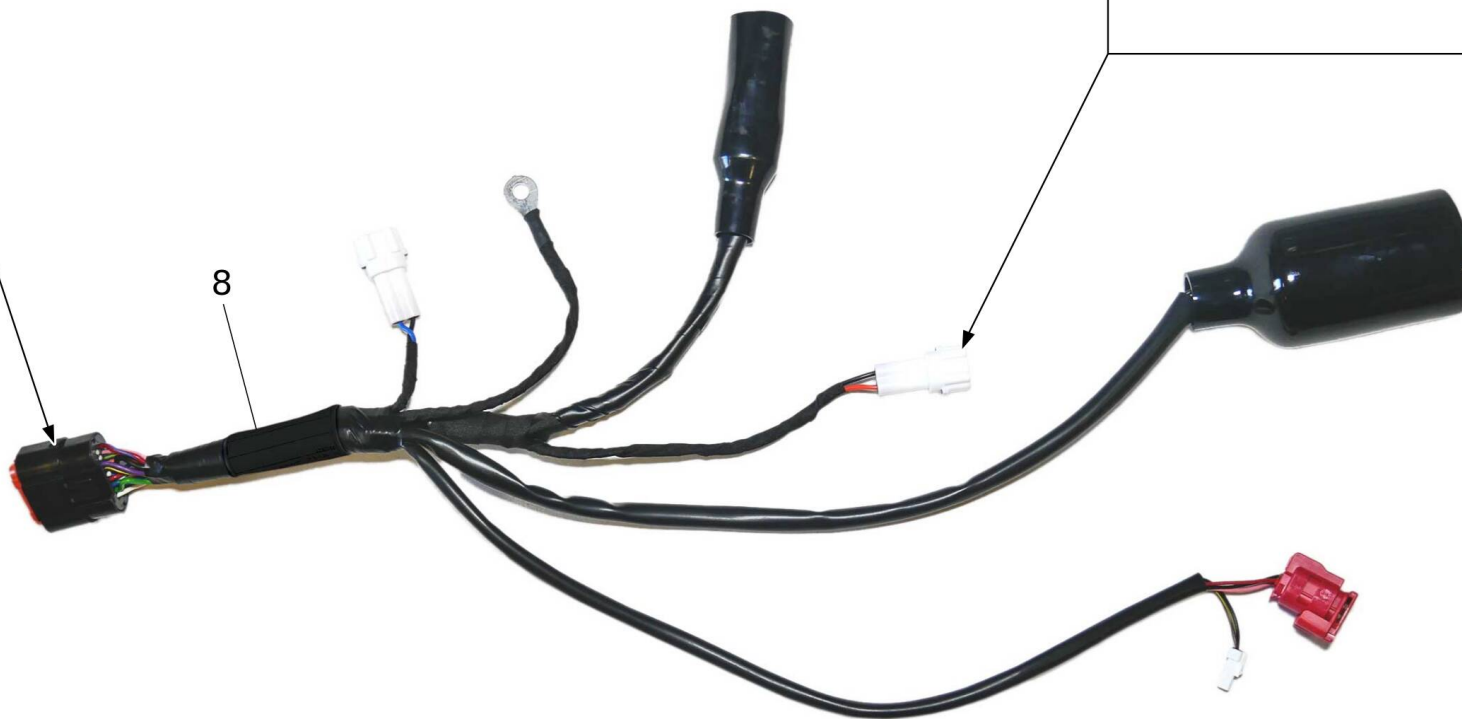
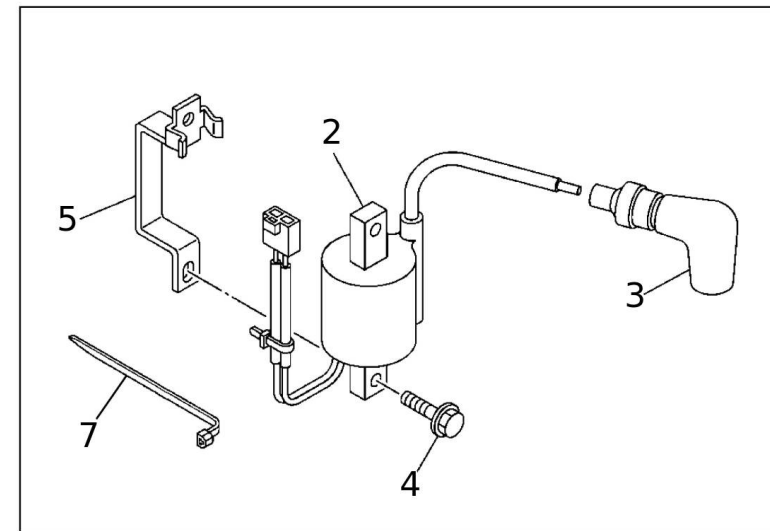
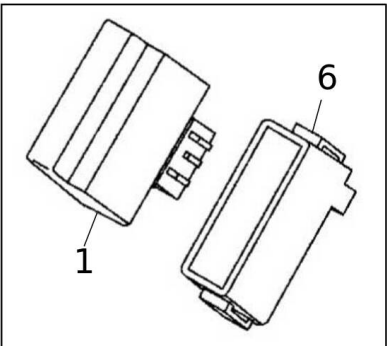
| #  | Code     | Beschreibung                       | Spezifikation | ME | Anz. |
|----|----------|------------------------------------|---------------|----|------|
| 1  | 07067005 | MANUBRIO                           |               | pz | 1    |
| 2  | 07532005 | PROTECTOR, HANDLEBAR               |               | pz | 1    |
| 3  | 07437005 | OFF-ROAD KNOPF, PAAR               |               | pz | 1    |
| 4  | 06295005 | GRIFFGUMMI R                       |               | pz | 1    |
| 5  | 08577005 | PULSANTE DOPPIA MAPPATURA OFF-ROAD |               | pz | 1    |
| 6  | 06298005 | GEHAEUSE GASGRIFF OBEN             |               | pz | 1    |
| 7  | 06299005 | GEHAEUSE GASGRIFF UNTEN            |               | pz | 1    |
| 8  | 06300005 | ABDECKUNG                          |               | pz | 1    |
| 9  | 06708005 | SCHRAUBE                           |               | pz | 2    |
| 10 | 06302005 | UMLENKSCHIEBE                      |               | pz | 1    |
| 11 | 06303005 | BUCHSE                             |               | pz | 1    |
| 12 | 06304005 | SCHRAUBE                           |               | pz | 1    |
| 13 | 06305005 | SCHRAUBE                           |               | pz | 1    |
| 14 | 06306005 | GEHAEUSE GASGRIFF                  |               | pz | 1    |
| 15 | 08077005 | WIRE, THROTTLE 1                   |               | pz | 1    |
| 16 | 08078005 | CAVO FRIZIONE                      |               | pz | 1    |
| 17 | 06309005 | ORING                              |               | pz | 1    |
| 18 | 06310005 | EINSTELLER KUPPLUNGSZUG            |               | pz | 1    |
| 19 | 06311005 | EINFASSUNG                         |               | pz | 1    |
| 20 | 08499020 | LEVER HOLDER ASSY, 1               |               | pz | 1    |
| 21 | 06384005 | ABDECKUNG KUPPLUNGSHEBEL           |               | pz | 1    |
| 22 | 06385005 | HALTERKLAMMER HEBEL                |               | pz | 1    |
| 23 | 06726005 | SCHRAUBE 6X20 TE8 FLANSCH 10.5     |               | pz | 2    |
| 24 | 06387005 | STOPSCHALTER                       |               | pz | 1    |
| 25 | 06388005 | SCHELLE                            |               | pz | 2    |
| 26 | 06389005 | SCHELLE                            |               | pz | 1    |
| 27 | 06377005 | HALTER KUPPLUNGSHEBEL              |               | pz | 1    |
| 28 | 08295005 | LEVER 1                            |               | pz | 1    |
| 29 | 06379005 | SCHRAUBE                           |               | pz | 1    |
| 30 | 06380005 | MUTTER                             |               | pz | 1    |
| 31 | 06381005 | EINSTELLSCHRAUBE                   |               | pz | 1    |
| 32 | 06382005 | MUTTER                             |               | pz | 1    |
| 33 | 06383005 | SCHRAUBE                           |               | pz | 1    |



| #  | Code     | Beschreibung                    | Spezifikation | ME | Anz. |
|----|----------|---------------------------------|---------------|----|------|
| 1  | 07500005 | SCHUTZBLECH V ENDURO WEISS MY21 |               | pz | 1    |
| 2  | 08641005 | COLLAR                          |               | pz | 4    |
| 3  | 06598005 | BOLZEN                          |               | pz | 4    |
| 4  | 06599005 | SCHEIBE                         |               | pz | 4    |
| 5  | 06030005 | ABDECKUNG KUEHLER               |               | pz | 2    |
| 6  | 06565005 | SCHRAUBE                        |               | pz | 2    |
| 7  | 06564005 | BOLZEN                          |               | pz | 4    |
| 8  | 07455005 | BUCHSE L22X6                    |               | pz | 4    |
| 9  | 06562005 | BUCHSE                          |               | pz | 2    |
| 10 | 07495005 | VERKLEIDUNG                     |               | pz | 1    |
| 11 | 07496005 | VERKLEIDUNG                     |               | pz | 1    |
| 12 | 07662005 | GABELSCHUTZ PAAR                |               | pz | 1    |
| 13 | 06161005 | SCHRAUBE                        |               | pz | 6    |
| 14 | 06162005 | SCHELLE                         |               | pz | 1    |
| 15 | 06163005 | SCHELLE                         |               | pz | 1    |
| 16 | 05758005 | SCHRAUBE                        |               | pz | 2    |
| 17 | 07503005 | NUMMERNPLAATE V OFF-ROAD        |               | pz | 1    |
| 18 | 04686005 | SCHEIBE M6 H3                   |               | pz | 1    |
| 19 | 07433005 | BOLZEN 6X10                     |               | pz | 1    |

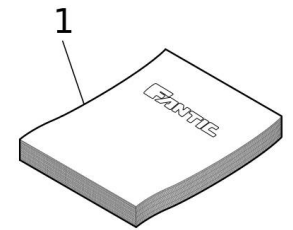


| #  | Code     | Beschreibung                   | Spezifikation | ME | Anz. |
|----|----------|--------------------------------|---------------|----|------|
| 1  | 07519005 | SATTEL                         |               | pz | 1    |
| 2  | 06561005 | BOLT, WITH WASHER              |               | pz | 2    |
| 3  | 07502005 | SCHUTZBLECH HINTEN             |               | pz | 1    |
| 4  | 06568005 | MUTTER SCHUTZBLECH H           |               | pz | 2    |
| 5  | 06961005 | SCHRAUBE 6X14 TE8 FLANSCH 10.5 |               | pz | 1    |
| 6  | 06570005 | SCHEIBE                        |               | pz | 1    |
| 7  | 06571005 | BOLZEN                         |               | pz | 1    |
| 8  | 05838005 | SCHEIBE                        |               | pz | 1    |
| 9  | 06573005 | BOLZEN                         |               | pz | 2    |
| 10 | 06562005 | BUCHSE                         |               | pz | 2    |
| 11 | 08063005 | FELGENBAND                     |               | pz | 1    |
| 12 | 06600005 | SCHRAUBE                       |               | pz | 2    |
| 13 | 07497005 | VERKLEIDUNG                    |               | pz | 1    |
| 14 | 07498005 | VERKLEIDUNG                    |               | pz | 1    |
| 15 | 06558005 | COLLAR                         |               | pz | 2    |
| 16 | 06559005 | COLLAR                         |               | pz | 2    |
| 17 | 06560005 | BOLT                           |               | pz | 2    |
| 18 | 05758005 | SCHRAUBE                       |               | pz | 2    |
| 19 | 06557005 | FEDERSCHEIBE                   |               | pz | 4    |
| 20 | 06555005 | HALTER SITZ                    |               | pz | 2    |
| 21 | 06556005 | BOLZEN                         |               | pz | 4    |

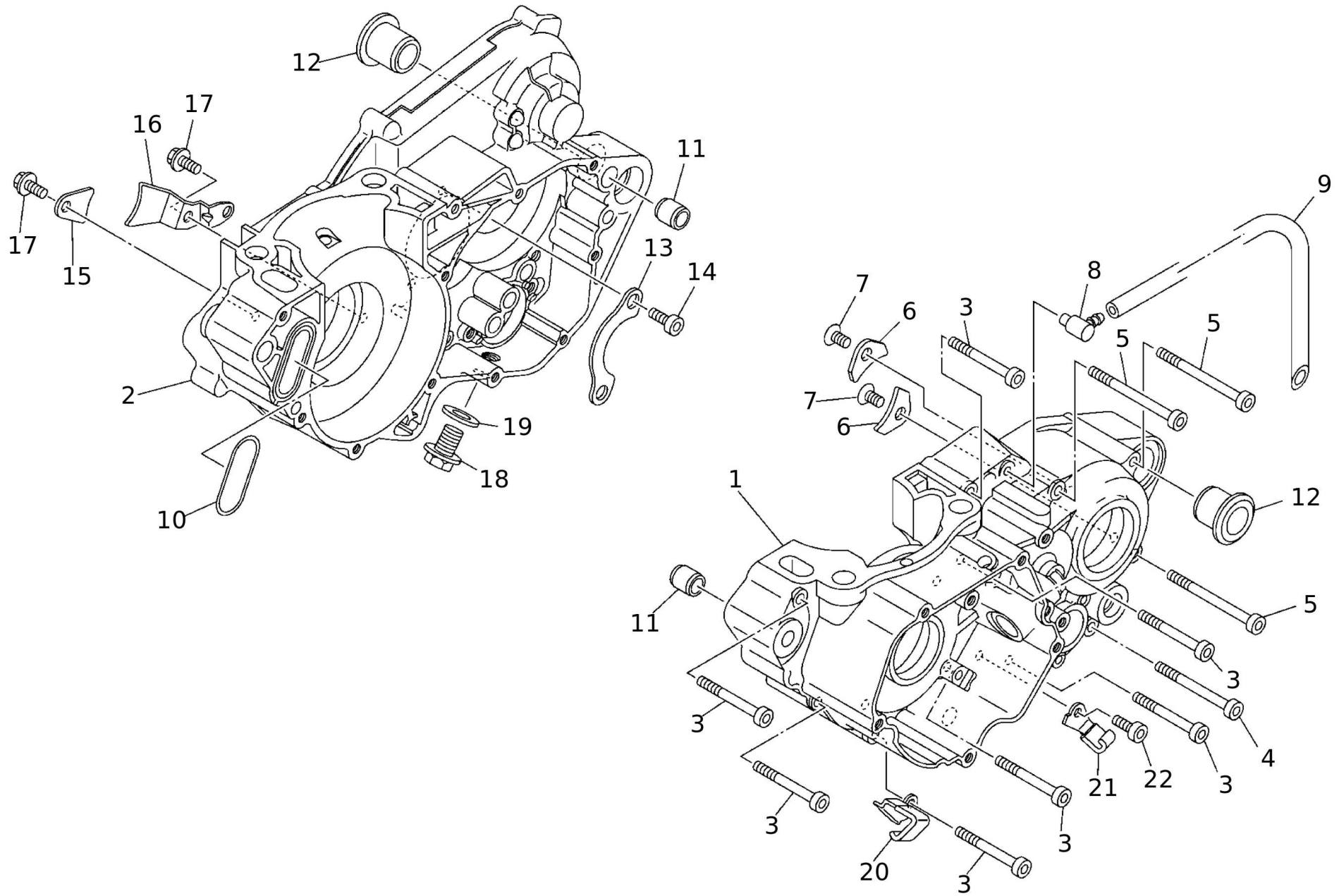




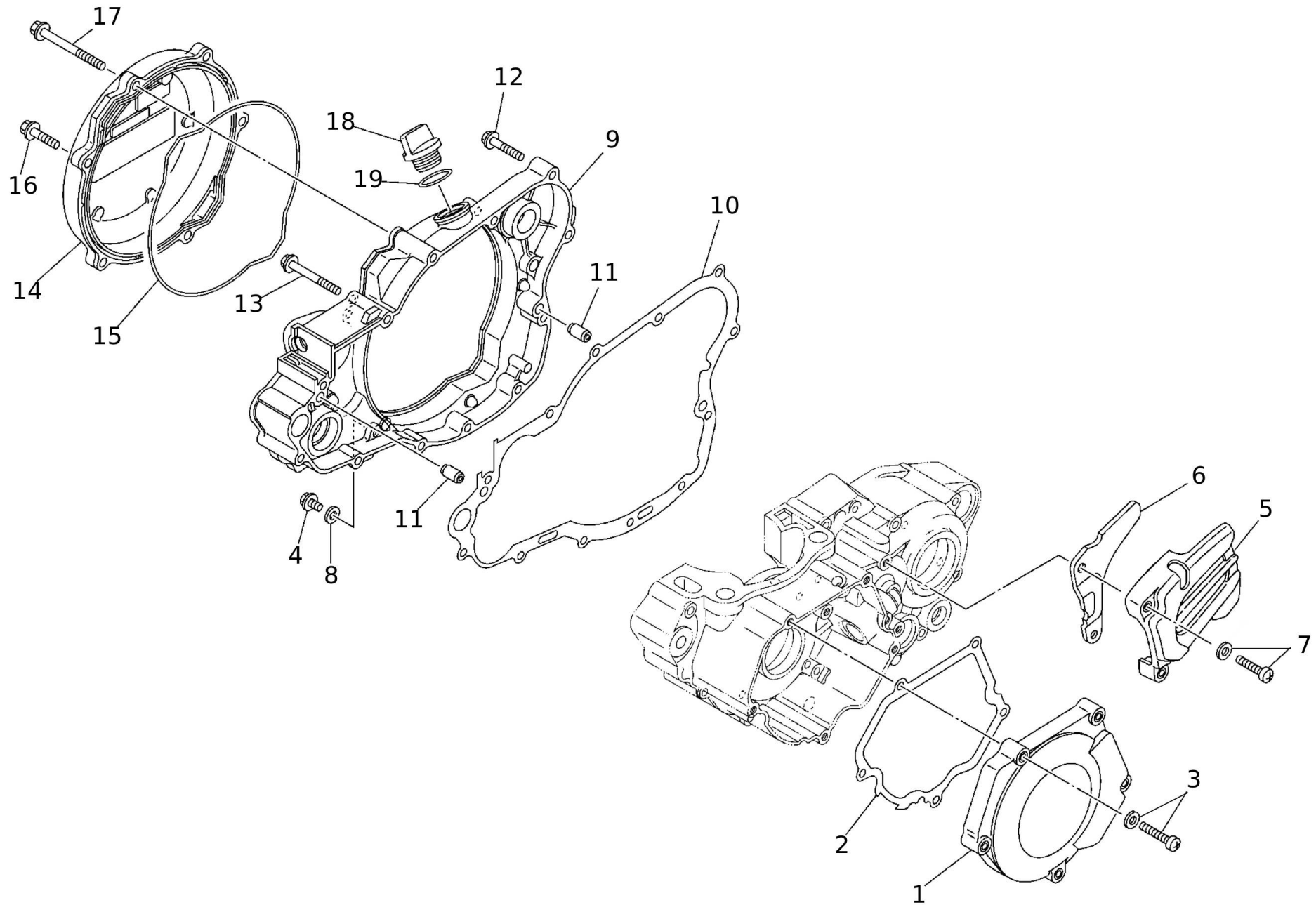
| # | Code     | Beschreibung          | Spezifikation | ME | Anz. |
|---|----------|-----------------------|---------------|----|------|
| 1 | 07528005 | ECU XX 125/250 MY22   |               | pz | 1    |
| 2 | 08084005 | ZUENDSPULE            |               | pz | 1    |
| 3 | 06391005 | KERZENSTECKER KIT     |               | pz | 1    |
| 4 | 06392005 | BOLZEN                |               | pz | 2    |
| 5 | 08083005 | CORE, SIDE            |               | pz | 1    |
| 6 | 07410005 | GUMMIHALTER ECU XX-XE |               | pz | 1    |
| 7 | 06396005 | SCHELLE               |               | pz | 1    |
| 8 | 07534005 | WIRING XX125/250 MY22 |               | pz | 1    |



| # | Code     | Beschreibung                    | Spezifikation | ME | Anz. |
|---|----------|---------------------------------|---------------|----|------|
| 1 | 08674005 | SERVICE MANUAL 2T               |               | pz | 1    |
| 2 | 07439005 | AZFKLEBERSATZ XX125 MY21        |               | pz | 1    |
| 3 | 08691005 | STICKER XX250 MY22              |               | pz | 1    |
| 4 | 07525005 | AUFKLEBER MOTORGEHAEUSE BARDAHL |               | pz | 1    |

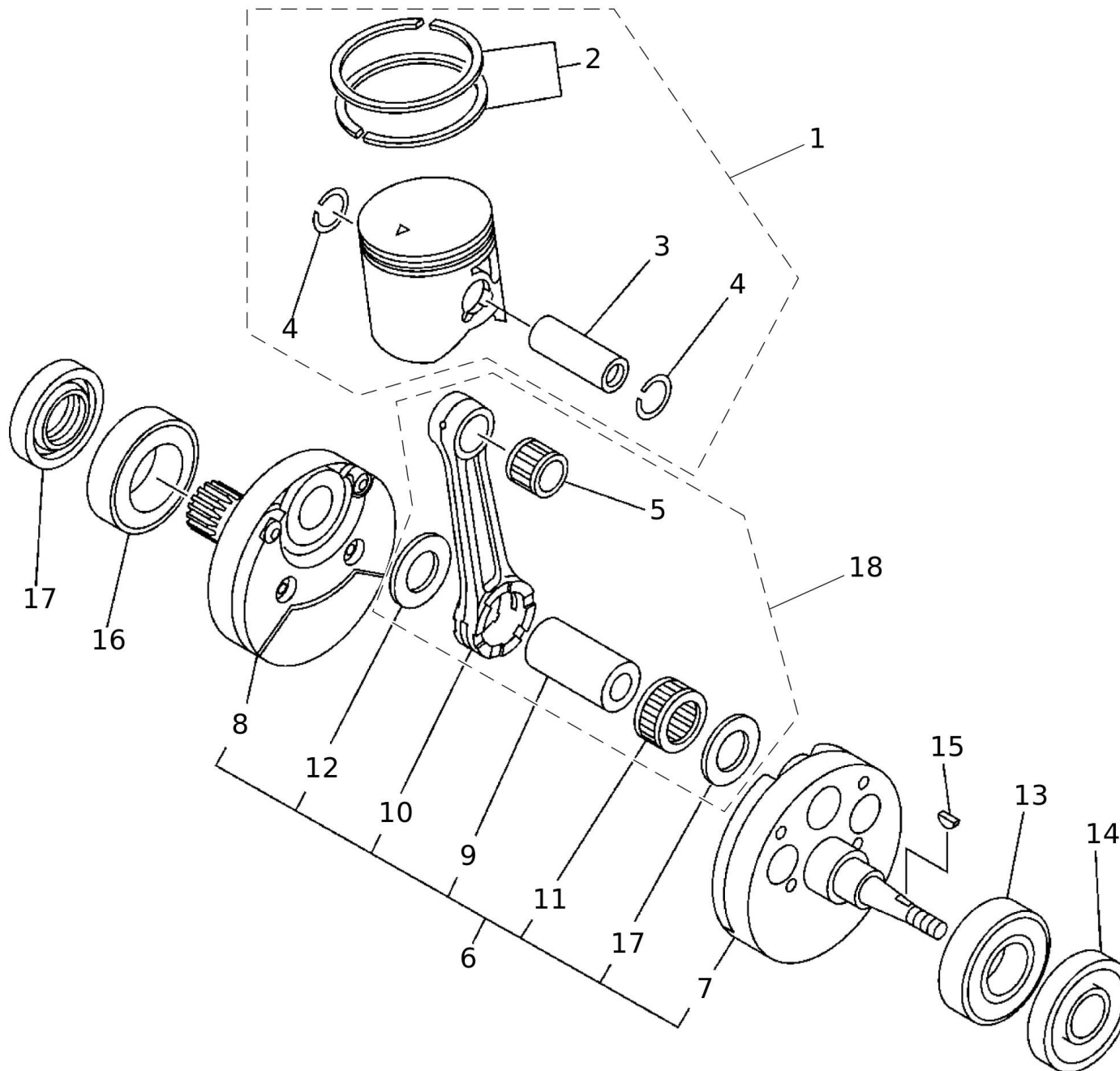


| #  | Code       | Beschreibung                | Spezifikation | ME | Anz. |
|----|------------|-----------------------------|---------------|----|------|
| 1  | 07947005   | GEHAEUSE LI                 |               | pz | 1    |
| 2  | 07948005   | GEHAEUSE RE                 |               | pz | 1    |
| 3  | 07949005   | SCHRAUBE TCEI               |               | pz | 7    |
| 4  | 07950005   | SCHRAUBE TCEI               |               | pz | 1    |
| 5  | 07951005   | SCHRAUBE TCEI               |               | pz | 3    |
| 6  | 05932005   | PLATE, BEARING COVER        |               | pz | 2    |
| 7  | 05933005   | SCHRAUBE                    |               | pz | 2    |
| 8  | 05852005   | ANSCHLUSS                   |               | pz | 1    |
| 9  | 07952005   | SCHLAUCH (L330)             |               | pz | 1    |
| 10 | 07953005   | DICHTUNG                    |               | pz | 1    |
| 11 | 06621005   | ZENTRIERBUCHSE ZYLINDERKOPF |               | pz | 2    |
| 12 | 07954005   | BUCHSE                      |               | pz | 2    |
| 13 | 07955005   | PLATTE                      |               | pz | 1    |
| 14 | WR125-0141 | SCHRAUBE TCCE M6X12         |               | pz | 2    |
| 15 | 05862005   | HALTER                      |               | pz | 1    |
| 16 | 07956005   | HALTER                      |               | pz | 1    |
| 17 | 05863005   | BOLZEN                      |               | pz | 2    |
| 18 | 07957005   | SCHRAUBVERSCHLUSS           |               | pz | 1    |
| 19 | 07958005   | DICHTUNG                    |               | pz | 1    |
| 20 | 07959005   | PASSACAVO                   |               | pz | 1    |
| 21 | 07960005   | PASSACAVO                   |               | pz | 1    |
| 22 | 07961005   | SCHRAUBE TCEI               |               | pz | 1    |



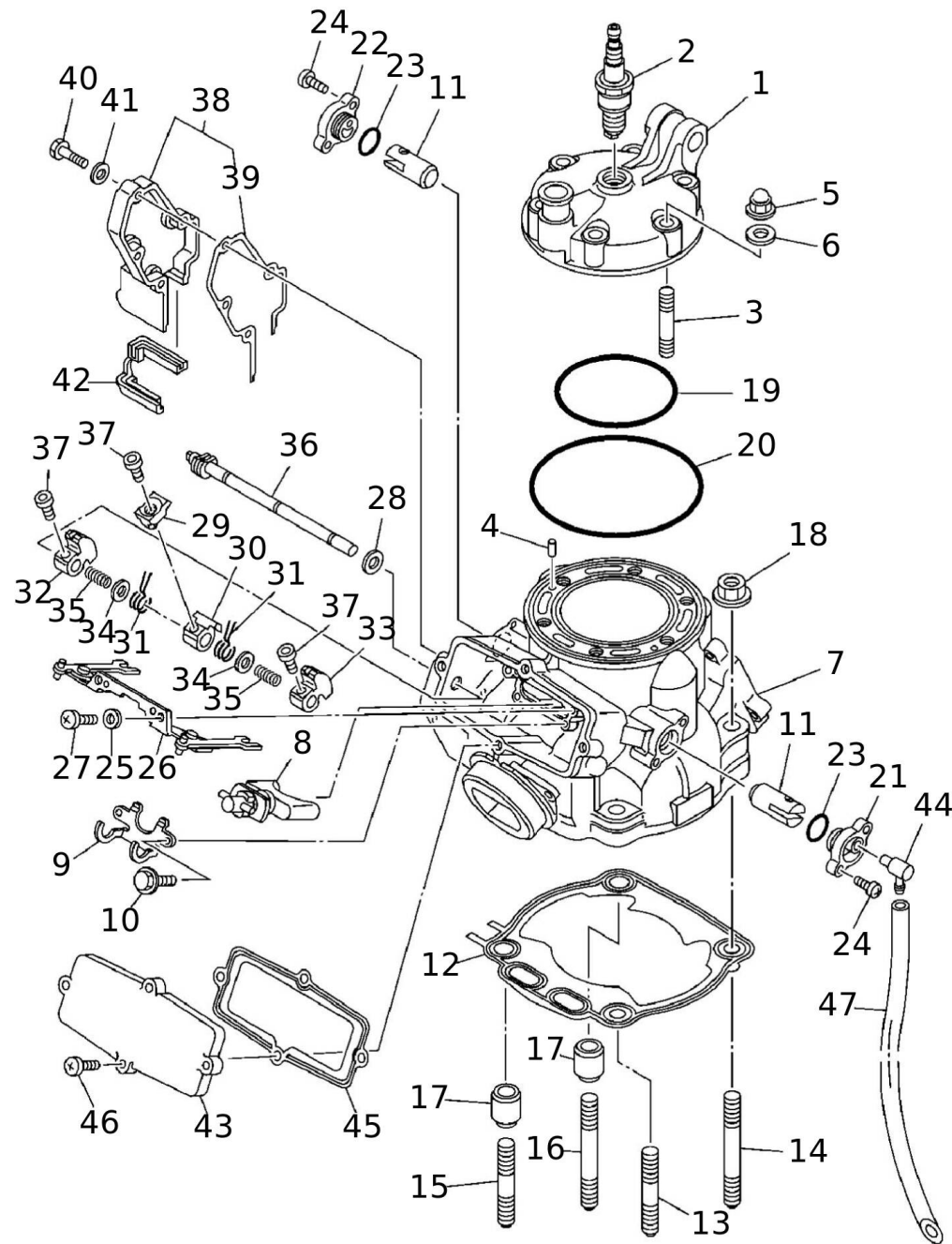
| #  | Code     | Beschreibung              | Spezifikation | ME | Anz. |
|----|----------|---------------------------|---------------|----|------|
| 1  | 08653005 | MOTORDECKEL LINKS         |               | pz | 1    |
| 2  | 07963005 | DICHTUNG                  |               | pz | 1    |
| 3  | 07524005 | SCREW, PAN HEAD W/ WASHER |               | pz | 5    |
| 4  | 05706005 | SCHRAUBE                  |               | pz | 1    |
| 5  | 07964005 | RITZELSCHUTZ              |               | pz | 1    |
| 6  | 07965005 | KETTENFUEHRUNG            |               | pz | 1    |
| 7  | 07524005 | SCREW, PAN HEAD W/ WASHER |               | pz | 2    |
| 8  | 05705005 | DICHTUNG                  |               | pz | 1    |
| 9  | 07966005 | DECKEL                    |               | pz | 1    |
| 10 | 07967005 | DICHTUNG MOTORDECKEL      |               | pz | 1    |
| 11 | 05875005 | ZENTRIERBUCHSE            |               | pz | 2    |
| 12 | 05844005 | BOLZEN                    |               | pz | 8    |
| 13 | 05880005 | SCHRAUBE                  |               | pz | 1    |
| 14 | 07968005 | KUPPLUNGSDECKEL           |               | pz | 1    |
| 15 | 07969005 | DICHTUNG KUPPLUNGSDECKEL  |               | pz | 1    |
| 16 | 05710005 | SCHRAUBE                  |               | pz | 5    |
| 17 | 05709005 | SCHRAUBE                  |               | pz | 1    |
| 18 | 05876005 | OELSTOPFEN                |               | pz | 1    |
| 19 | 05877005 | O-RING                    |               | pz | 1    |





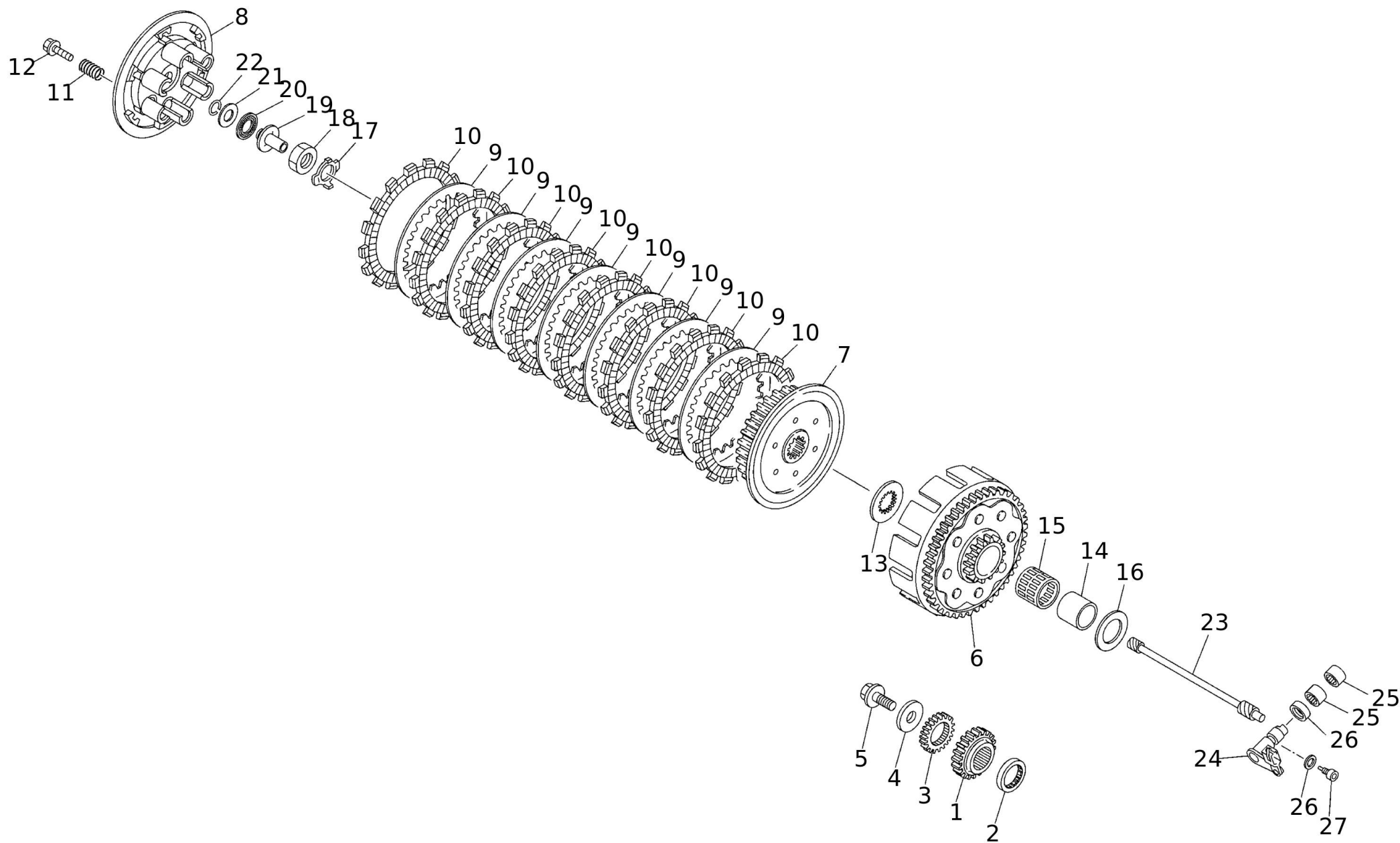


| #  | Code     | Beschreibung           | Spezifikation | ME | Anz. |
|----|----------|------------------------|---------------|----|------|
| 1  | FM210024 | PISTONE COMPLETO       | RED           | pz | 1    |
| 1  | FM210025 | PISTONE COMPLETO       | ORANGE        | pz | 1    |
| 1  | FM210026 | PISTONE COMPLETO       | GREEN         | pz | 1    |
| 1  | FM210027 | PISTONE COMPLETO       | PURPLE        | pz | 1    |
| 2  | 09076005 | SEGMENT XX250          |               | pz | 2    |
| 3  | 09077005 | PIN, PISTON XX250      |               | pz | 1    |
| 4  | 09078005 | CIRCLIP, PISTON XX250  |               | pz | 2    |
| 5  | 07822005 | BEARING                |               | pz | 1    |
| 6  | 07823005 | WELLE                  |               | pz | 1    |
| 7  | 07824005 | KURBELWELLE 250 2T     |               | pz | 1    |
| 8  | 07825005 | KURBELWELLE 250 2T     |               | pz | 1    |
| 9  | 07826005 | PIN KURBELWELLE 250 2T |               | pz | 1    |
| 10 | 07827005 | PLEUEL 250 2T          |               | pz | 1    |
| 11 | 07828005 | BEARING                |               | pz | 1    |
| 12 | 07829005 | WASHER                 |               | pz | 2    |
| 13 | 07830005 | BEARING                |               | pz | 1    |
| 14 | 05691005 | OIL SEAL               |               | pz | 1    |
| 15 | 05693005 | KEIL                   |               | pz | 1    |
| 16 | 07830005 | BEARING                |               | pz | 1    |
| 17 | 07831005 | OIL SEAL               |               | pz | 1    |
| 18 | 08089005 | CONNECTING ROD ASSY    |               | pz | 1    |

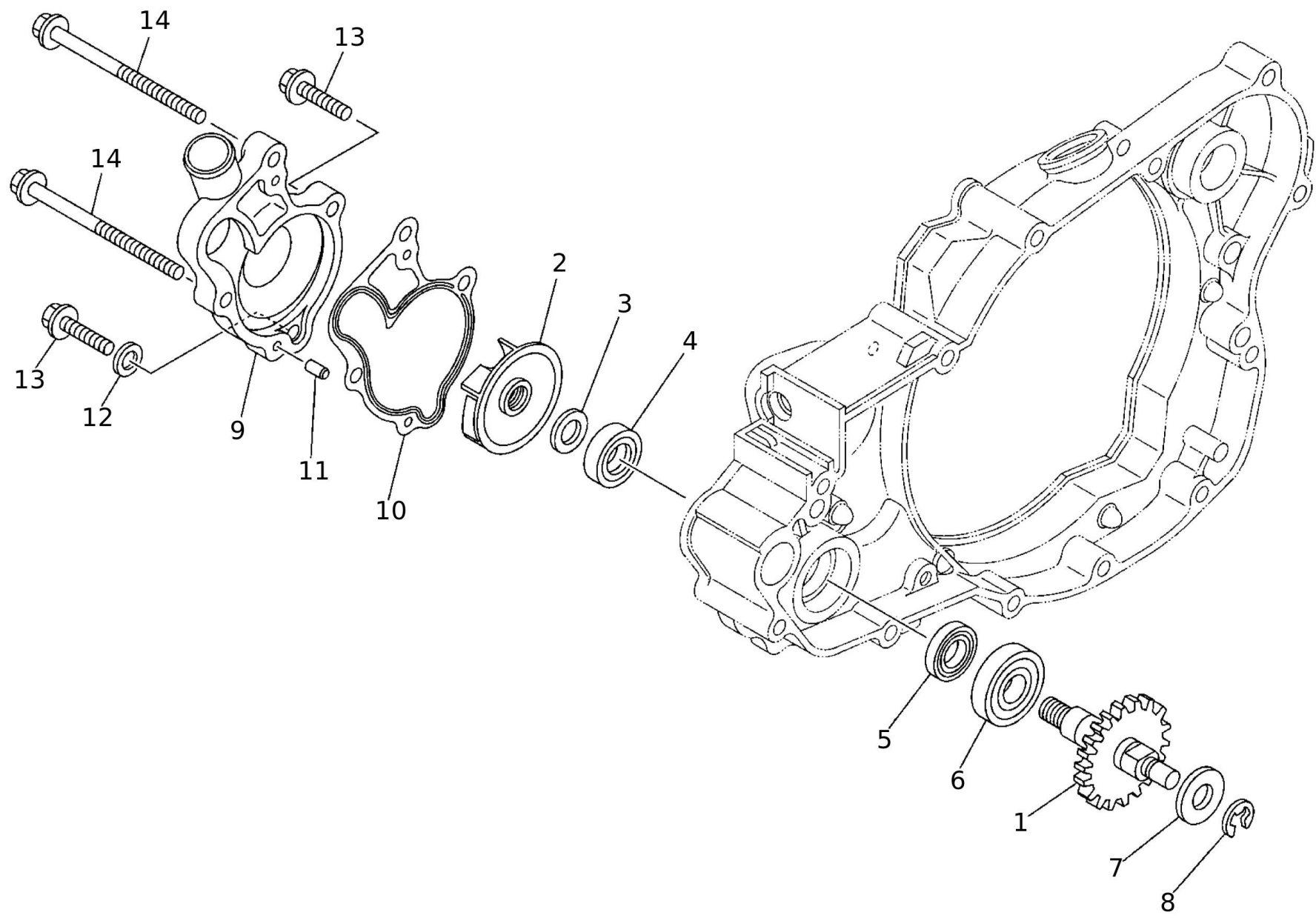


| #  | Code     | Beschreibung                | Spezifikation | ME | Anz. |
|----|----------|-----------------------------|---------------|----|------|
| 1  | 07777005 | HEAD, CYLINDER 1            |               | pz | 1    |
| 2  | 05628005 | ZUENDKERZE                  |               | pz | 1    |
| 3  | 05617005 | BOLZEN                      |               | pz | 6    |
| 4  | 07779005 | ZENTRIERSTIFT               |               | pz | 2    |
| 5  | 05618005 | MUTTER                      |               | pz | 6    |
| 6  | 05619005 | SCHEIBE                     |               | pz | 6    |
| 7  | 07780005 | ZYLINDER 250 2T             |               | pz | 1    |
| 8  | 07781005 | KIT AUSLASSSTEUERUNG 250 2T |               | pz | 1    |
| 9  | 07782005 | HALTER SCHALLDAEMPFER       |               | pz | 1    |
| 10 | 07783005 | BOLT                        |               | pz | 2    |
| 11 | 07784005 | VENTIL                      |               | pz | 2    |
| 12 | 07785005 | DICHTUNG ZYLINDER 250 2T    |               | pz | 1    |
| 13 | 07786005 | BOLT, STUD                  |               | pz | 1    |
| 14 | 07787005 | BOLT, STUD                  |               | pz | 1    |
| 15 | 07786005 | BOLT, STUD                  |               | pz | 1    |
| 16 | 07787005 | BOLT, STUD                  |               | pz | 1    |
| 17 | 07788005 | PIN, DOWEL                  |               | pz | 2    |
| 18 | 07789005 | NUT                         |               | pz | 4    |
| 19 | 07790005 | O-RING                      |               | pz | 1    |
| 20 | 07791005 | O-RING                      |               | pz | 1    |
| 21 | 07792005 | HALTER                      |               | pz | 1    |
| 22 | 07793005 | HALTER                      |               | pz | 1    |
| 23 | 07794005 | O-RING                      |               | pz | 2    |
| 24 | 05653005 | SCHRAUBE                    |               | pz | 4    |
| 25 | 05656005 | SCHEIBE                     |               | pz | 2    |
| 26 | 07795005 | VERBINDUNG                  |               | pz | 1    |
| 27 | 08395005 | BOLT                        |               | pz | 2    |
| 28 | 05636005 | OIL SEAL                    |               | pz | 1    |
| 29 | 07797005 | RETAINER                    |               | pz | 1    |
| 30 | 05633005 | LEVER, LINK                 |               | pz | 1    |
| 31 | 07798005 | SPRING, TORSION             |               | pz | 2    |
| 32 | 07799005 | RIEMENSCHLEIBE              |               | pz | 1    |
| 33 | 07800005 | RIEMENSCHLEIBE              |               | pz | 1    |
| 34 | 07801005 | WASHER, PLATE               |               | pz | 2    |
| 35 | 07802005 | SPRING, COMPRESSION         |               | pz | 2    |
| 36 | 07803005 | WELLE                       |               | pz | 1    |
| 37 | 07804005 | SCHRAUBE TCEI               |               | pz | 3    |
| 38 | 07805005 | HOUSING                     |               | pz | 1    |
| 39 | 07806005 | GASKET                      |               | pz | 1    |
| 40 | 07807005 | BOLT                        |               | pz | 4    |

| #  | Code     | Beschreibung    | Spezifikation | ME | Anz. |
|----|----------|-----------------|---------------|----|------|
| 41 | 05999005 | WASHER, PLATE   |               | pz | 4    |
| 42 | 07808005 | GASKET          |               | pz | 1    |
| 43 | 07809005 | ABDECKUNG       |               | pz | 1    |
| 44 | 05852005 | ANSCHLUSS       |               | pz | 1    |
| 45 | 07810005 | GASKET          |               | pz | 1    |
| 46 | 05641005 | SCHRAUBE        |               | pz | 4    |
| 47 | 07811005 | SCHLAUCH (L300) |               | pz | 1    |

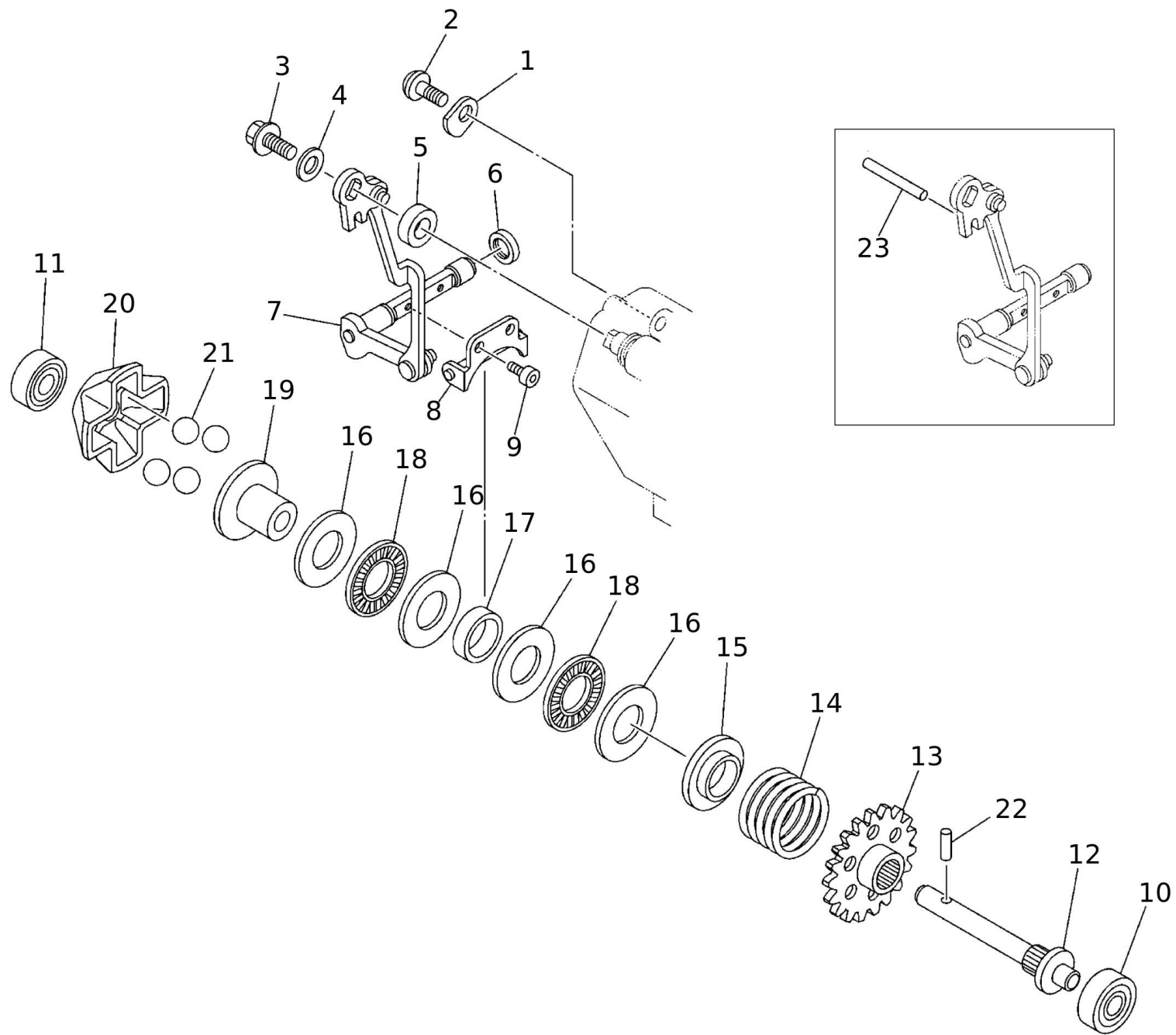


| #  | Code     | Beschreibung           | Spezifikation | ME | Anz. |
|----|----------|------------------------|---------------|----|------|
| 1  | 07993005 | ZAHNRAD                |               | pz | 1    |
| 2  | 07994005 | WASHER                 |               | pz | 1    |
| 3  | 07995005 | ZAHNRAD                |               | pz | 1    |
| 4  | 07996005 | WASHER                 |               | pz | 1    |
| 5  | 07997005 | BOLT, FLANGE           |               | pz | 1    |
| 6  | 07998005 | ZAHNRAD PRIMAERANTRIEB |               | pz | 1    |
| 7  | 07999005 | KUPPLUNGSKERN          |               | pz | 1    |
| 8  | 08000005 | DRUCKPLATTE            |               | pz | 1    |
| 9  | 08001005 | KUPPLUNGSSCHEIBE       |               | pz | 7    |
| 10 | 08002005 | KUPPLUNGSSCHEIBE       |               | pz | 8    |
| 11 | 08003005 | SPRING, COMPRESSION    |               | pz | 6    |
| 12 | 07281005 | SCHRAUBE               |               | pz | 6    |
| 13 | 08004005 | WASHER                 |               | pz | 1    |
| 14 | 08005005 | SPACER                 |               | pz | 1    |
| 15 | 08006005 | BEARING                |               | pz | 1    |
| 16 | 08007005 | WASHER                 |               | pz | 1    |
| 17 | 08008005 | SICHERUNGSSCHEIBE      |               | pz | 1    |
| 18 | 08009005 | NUT                    |               | pz | 1    |
| 19 | 08010005 | WELLE                  |               | pz | 1    |
| 20 | 05668005 | BEARING                |               | pz | 1    |
| 21 | 08011005 | WASHER                 |               | pz | 1    |
| 22 | 06877005 | CIRCLIP                |               | pz | 1    |
| 23 | 08012005 | KUPPLUNGSSTANGE        |               | pz | 1    |
| 24 | 08013005 | HEBEL                  |               | pz | 1    |
| 25 | 08014005 | BEARING                |               | pz | 2    |
| 26 | 05985005 | OIL SEAL               |               | pz | 1    |
| 27 | 08015005 | SCREW                  |               | pz | 1    |
| 28 | 08474001 | GASKET                 |               | pz | 1    |

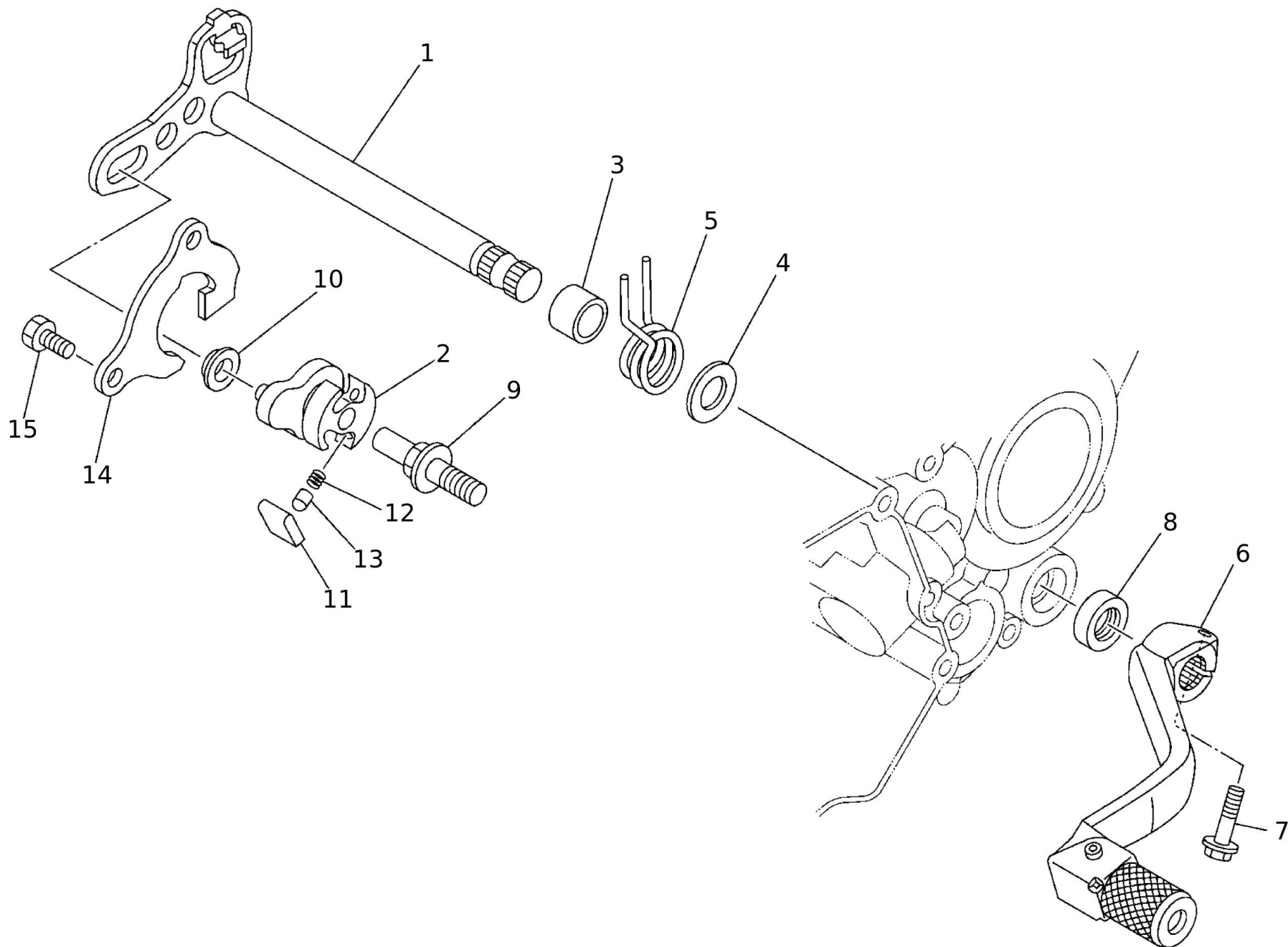


| #  | Code     | Beschreibung         | Spezifikation | ME | Anz. |
|----|----------|----------------------|---------------|----|------|
| 1  | 07832005 | GEAR                 |               | pz | 1    |
| 2  | 07833005 | IMPELLER, WATER PUMP |               | pz | 1    |
| 3  | 05697005 | WASHER, PLATE        |               | pz | 1    |
| 4  | 07834005 | OIL SEAL             |               | pz | 1    |
| 5  | 08385005 | OIL SEAL             |               | pz | 1    |
| 6  | 07836005 | BEARING              |               | pz | 1    |
| 7  | 07837005 | WASHER, PLATE        |               | pz | 1    |
| 8  | 07838005 | CIRCLIP              |               | pz | 1    |
| 9  | 07839005 | DECKEL WASSERPUMPE   |               | pz | 1    |
| 10 | 07840005 | DICHTUNG WASSERPUMPE |               | pz | 1    |
| 11 | 05708005 | PIN, DOWEL           |               | pz | 2    |
| 12 | 05705005 | DICHTUNG             |               | pz | 1    |
| 13 | 05710005 | SCHRAUBE             |               | pz | 2    |
| 14 | 05709005 | SCHRAUBE             |               | pz | 2    |

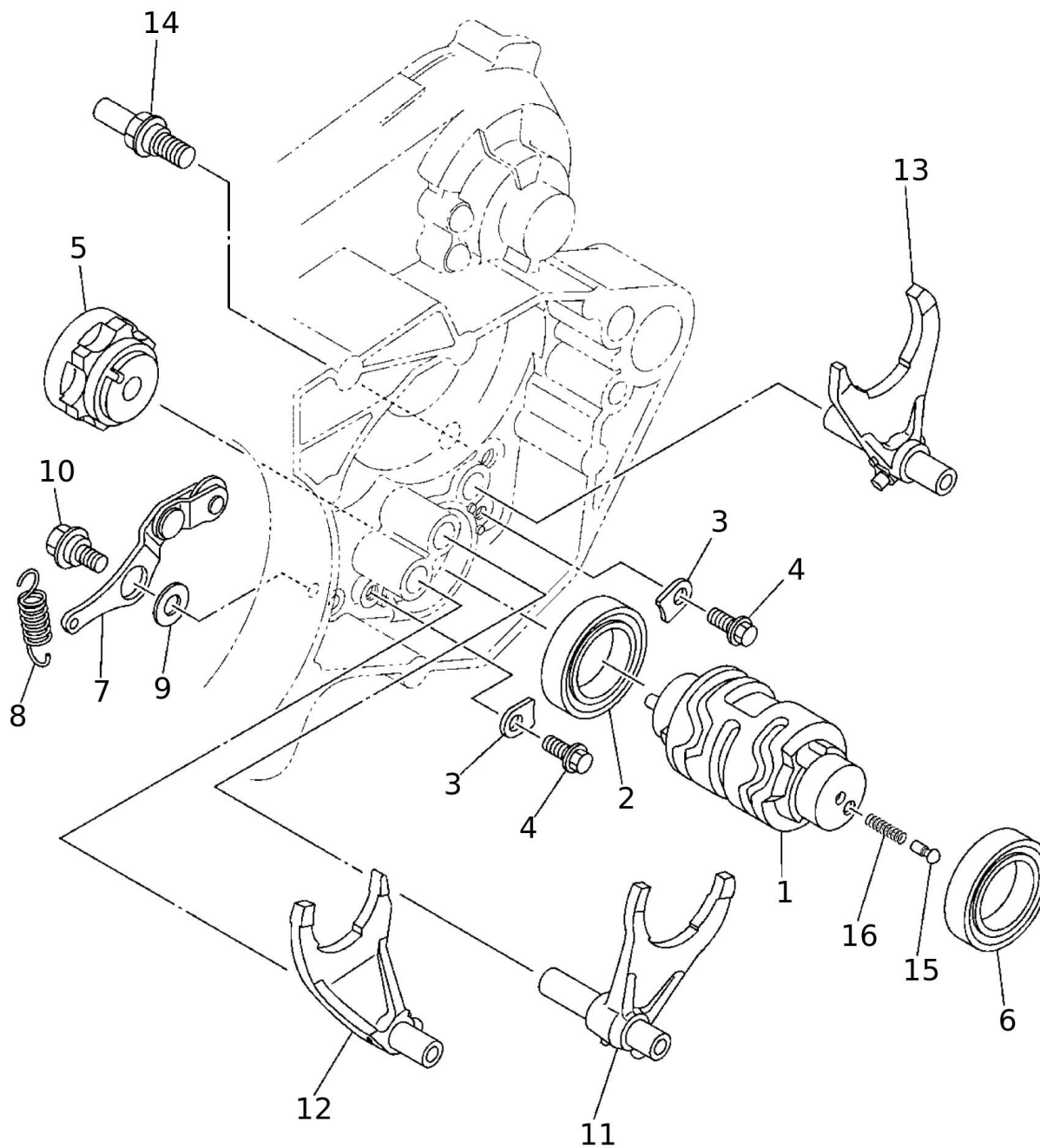




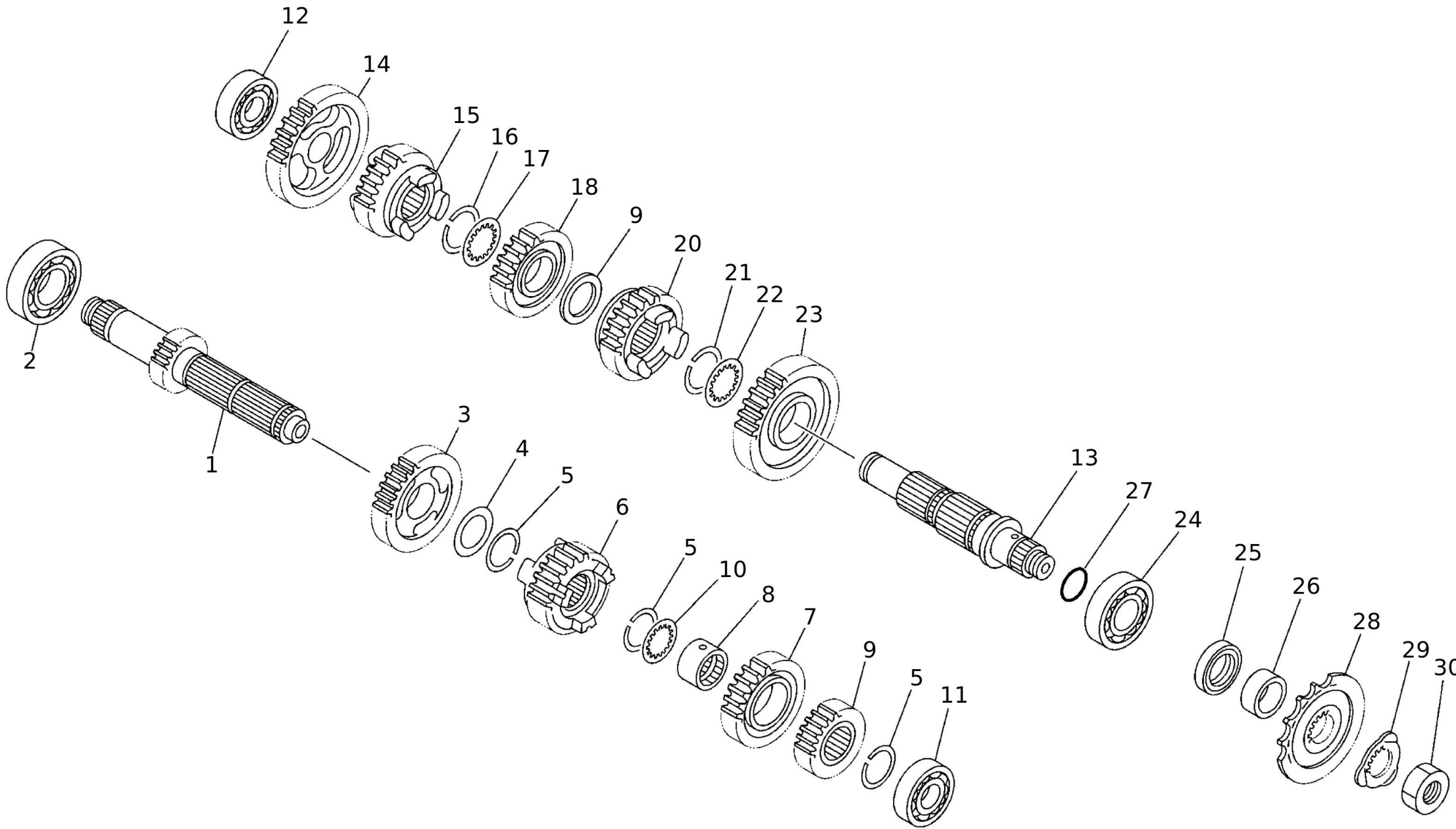
| #  | Code     | Beschreibung        | Spezifikation | ME | Anz. |
|----|----------|---------------------|---------------|----|------|
| 1  | 05652005 | PLATE               |               | pz | 1    |
| 2  | 08395005 | SCREW               |               | pz | 1    |
| 3  | 07812005 | BOLT, FLANGE        |               | pz | 1    |
| 4  | 05656005 | SCHEIBE             |               | pz | 1    |
| 5  | 05655005 | BUCHSE              |               | pz | 1    |
| 6  | 05636005 | OIL SEAL            |               | pz | 1    |
| 7  | 07813005 | PUSH ROD ASSY       |               | pz | 1    |
| 8  | 05659005 | FORK, GOVERNOR      |               | pz | 1    |
| 9  | 05660005 | SCHRAUBE            |               | pz | 2    |
| 10 | 05703005 | BEARING             |               | pz | 1    |
| 11 | 05703005 | BEARING             |               | pz | 1    |
| 12 | 05662005 | SHAFT, GOVERNOR     |               | pz | 1    |
| 13 | 05663005 | GEAR, GOVERNOR      |               | pz | 1    |
| 14 | 07814005 | SPRING, COMPRESSION |               | pz | 1    |
| 15 | 05665005 | COLLAR              |               | pz | 1    |
| 16 | 05666005 | WASHER, PLATE       |               | pz | 4    |
| 17 | 05667005 | RING                |               | pz | 1    |
| 18 | 05668005 | BEARING             |               | pz | 2    |
| 19 | 05669005 | COLLAR              |               | pz | 1    |
| 20 | 05670005 | RETAINER            |               | pz | 1    |
| 21 | 05671005 | BALL                |               | pz | 4    |
| 22 | 05672005 | PIN, DOWEL          |               | pz | 1    |
| 23 | 07815005 | STIFT               |               | pz | 1    |



| #  | Code     | Beschreibung        | Spezifikation | ME | Anz. |
|----|----------|---------------------|---------------|----|------|
| 1  | 08359005 | SCHALTWELLE         |               | pz | 1    |
| 2  | 08052005 | SCHALTHEBEL         |               | pz | 1    |
| 3  | 08053005 | COLLAR              |               | pz | 1    |
| 4  | 08054005 | WASHER              |               | pz | 1    |
| 5  | FM190424 | MOLLA LEVA INDEX    |               | pz | 1    |
| 6  | 05983005 | SCHALTHEBEL         |               | pz | 1    |
| 7  | 05737005 | BOLZEN              |               | pz | 1    |
| 8  | 05985005 | OIL SEAL            |               | pz | 1    |
| 9  | 05986005 | PIN SCHALTUNG       |               | pz | 1    |
| 10 | 05987005 | WALZE SCHALTHEBEL   |               | pz | 1    |
| 11 | 05988005 | VERSCHLUSSPIN       |               | pz | 2    |
| 12 | 05989005 | SPRING, COMPRESSION |               | pz | 2    |
| 13 | 05990005 | PIN                 |               | pz | 2    |
| 14 | 08056005 | FUEHRUNG GETRIEBE   |               | pz | 1    |
| 15 | 05992005 | BOLZEN              |               | pz | 2    |

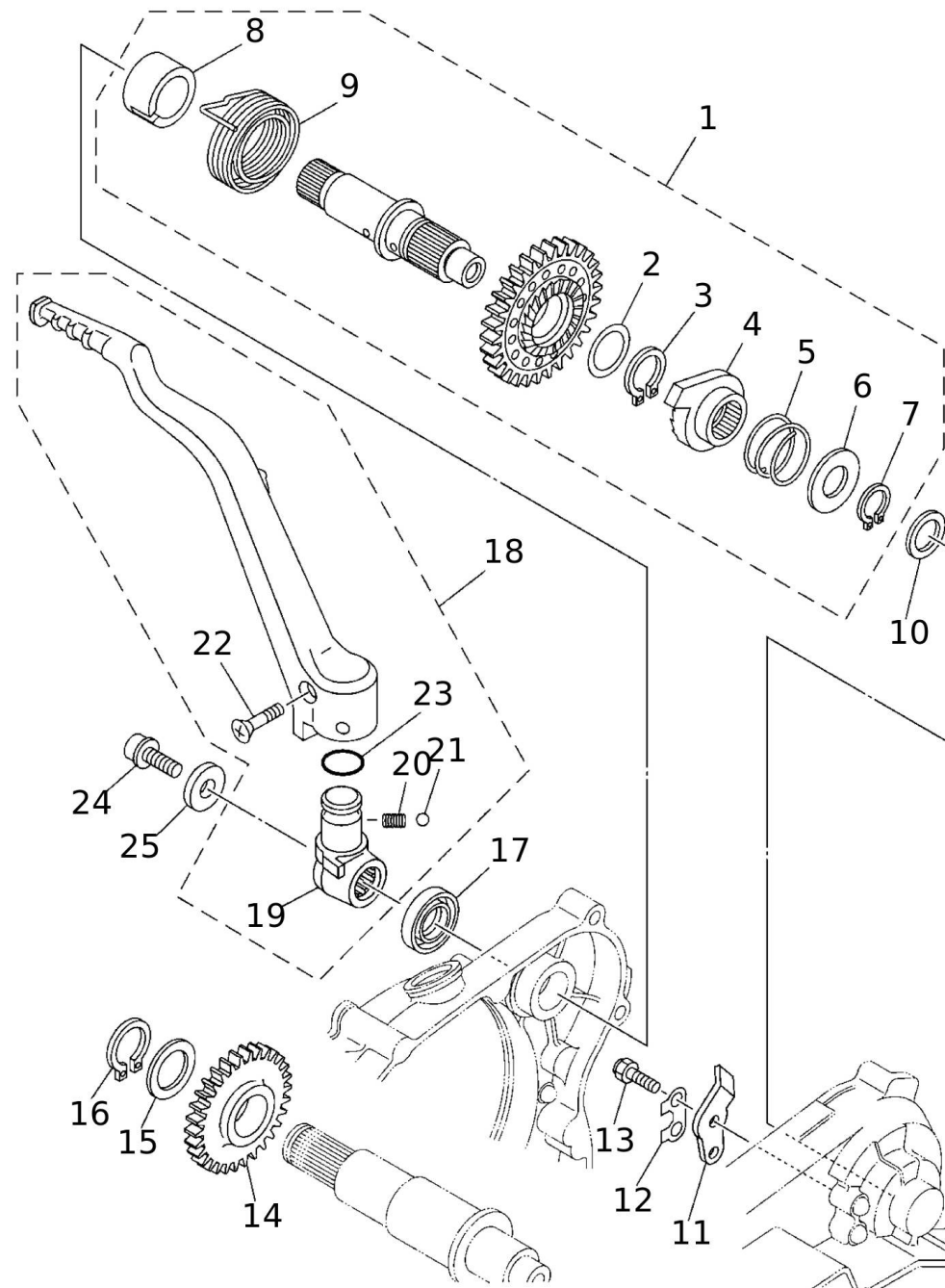


| #  | Code       | Beschreibung                      | Spezifikation | ME | Anz. |
|----|------------|-----------------------------------|---------------|----|------|
| 1  | 08037005   | CAM, SHIFT                        |               | pz | 1    |
| 2  | 08038005   | BEARING                           |               | pz | 1    |
| 3  | 08039005   | PLATTE                            |               | pz | 2    |
| 4  | WR125-0146 | SCHRAUBE TE FLANG. M6X12 ZN.WEISS |               | pz | 2    |
| 5  | 08040005   | SEGMENT                           |               | pz | 1    |
| 6  | 08041005   | BEARING                           |               | pz | 1    |
| 7  | 08042005   | STOPPER LEVER ASSY                |               | pz | 1    |
| 8  | 08043005   | FEDER                             |               | pz | 1    |
| 9  | 08044005   | WASHER                            |               | pz | 1    |
| 10 | 08045005   | BOLT                              |               | pz | 1    |
| 11 | 08046005   | SCHALTGABEL 1                     |               | pz | 1    |
| 12 | 08047005   | SCHALTGABEL 2                     |               | pz | 1    |
| 13 | 08048005   | SCHALTGABEL 3                     |               | pz | 1    |
| 14 | 08369005   | BOLT                              |               | pz | 1    |
| 15 | 08050005   | STIFT                             |               | pz | 1    |
| 16 | 06907005   | SPRING, COMPRESSION               |               | pz | 1    |

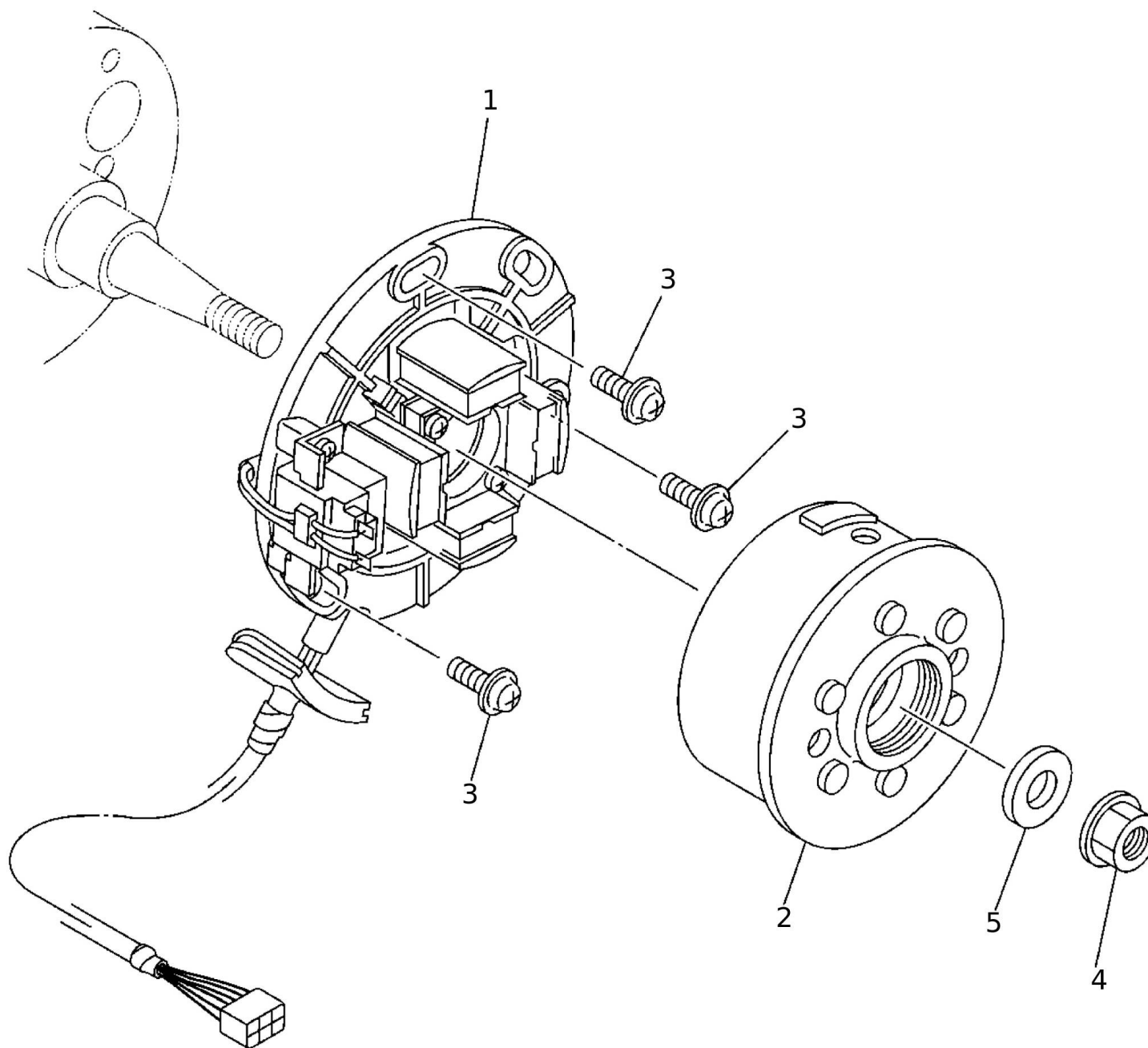


| #  | Code     | Beschreibung           | Spezifikation | ME | Anz. |
|----|----------|------------------------|---------------|----|------|
| 1  | 08016005 | GETRIEBEWELLE (14 T)   |               | pz | 1    |
| 2  | 08017005 | BEARING                |               | pz | 1    |
| 3  | 08018005 | ZAHNRAD 5.GANG (21T)   |               | pz | 1    |
| 4  | 07290005 | UNTERLEGSCHIEBE T=1,0  |               | pz | 1    |
| 5  | 07291005 | CIRCLIP                |               | pz | 3    |
| 6  | 08019005 | GEAR, 3RD PINION(18T)  |               | pz | 1    |
| 7  | 08020005 | ZAHNRAD 4.GANG (22T)   |               | pz | 1    |
| 8  | 08021005 | COLLAR                 |               | pz | 1    |
| 9  | 08022005 | GEAR, 2ND PINION (15T) |               | pz | 1    |
| 10 | 07296005 | SPACER                 |               | pz | 1    |
| 11 | 05931005 | BEARING                |               | pz | 1    |
| 12 | 07298005 | BEARING                |               | pz | 1    |
| 13 | 08023005 | GETRIEBEWELLE          |               | pz | 1    |
| 14 | 08024005 | ZAHNRAD 1.GANG (27T)   |               | pz | 1    |
| 15 | 08025005 | ZAHNRAD 5.GANG (20T)   |               | pz | 1    |
| 16 | 07291005 | CIRCLIP                |               | pz | 1    |
| 17 | 07296005 | SPACER                 |               | pz | 1    |
| 18 | 08026005 | ZAHNRAD 3.GANG (23T)   |               | pz | 1    |
| 19 | 07290005 | UNTERLEGSCHIEBE T=1,0  |               | pz | 1    |
| 20 | 08027005 | ZAHNRAD 4.GANG (24T)   |               | pz | 1    |
| 21 | 07306005 | CIRCLIP                |               | pz | 1    |
| 22 | 07308005 | SPACER                 |               | pz | 1    |
| 23 | 08028005 | ZAHNRAD 2.GANG (23T)   |               | pz | 1    |
| 24 | 08029005 | BEARING                |               | pz | 1    |
| 25 | 08030005 | OIL SEAL               |               | pz | 1    |
| 26 | 08031005 | COLLAR                 |               | pz | 1    |
| 27 | 07314005 | O-RING                 |               | pz | 1    |
| 28 | 08033005 | RITZEL Z=14            | STD           | pz | 1    |
| 28 | 08034005 | PIGNONE (13T)          | ACCESSORY     | pz | 1    |
| 29 | 08035005 | WASHER, LOCK           |               | pz | 1    |
| 30 | 08036005 | NUT                    |               | pz | 1    |

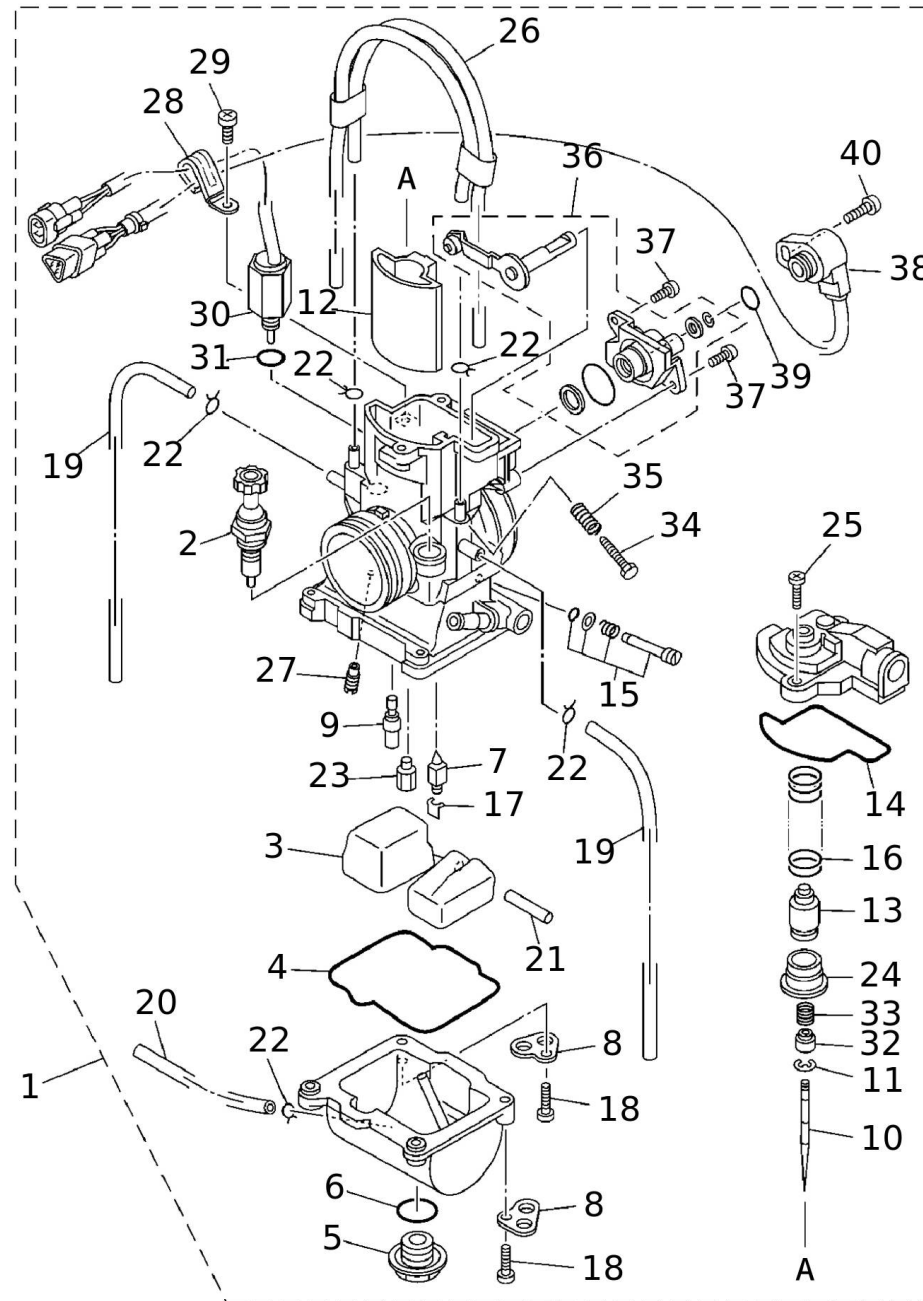




| #  | Code     | Beschreibung        | Spezifikation | ME | Anz. |
|----|----------|---------------------|---------------|----|------|
| 1  | 07970005 | ANLASSERWELLE       |               | pz | 1    |
| 2  | 07971005 | WASHER, PLATE       |               | pz | 1    |
| 3  | 07972005 | CIRCLIP             |               | pz | 1    |
| 4  | 07973005 | SPERRKLINKE         |               | pz | 1    |
| 5  | 07974005 | SPRING, COMPRESSION |               | pz | 1    |
| 6  | 07975005 | WASHER, PLATE       |               | pz | 1    |
| 7  | 07976005 | CIRCLIP             |               | pz | 1    |
| 8  | 07977005 | COLLAR              |               | pz | 1    |
| 9  | 07978005 | SPRING, TORSION     |               | pz | 1    |
| 10 | 07979005 | WASHER, PLATE       |               | pz | 1    |
| 11 | 07980005 | FUEHRUNG            |               | pz | 1    |
| 12 | 07981005 | PLATTE              |               | pz | 1    |
| 13 | 07982005 | SCHRAUBE            |               | pz | 2    |
| 14 | 07983005 | ZAHNRAD             |               | pz | 1    |
| 15 | 07984005 | WASHER, PLATE       |               | pz | 1    |
| 16 | 07985005 | CIRCLIP             |               | pz | 1    |
| 17 | 07986005 | OIL SEAL            |               | pz | 1    |
| 18 | 07987005 | KICKSTARTER         |               | pz | 1    |
| 19 | 07988005 | STIFT STARTERHEBEL  |               | pz | 1    |
| 20 | 07989005 | SPRING, COMPRESSION |               | pz | 1    |
| 21 | 05901005 | BALL                |               | pz | 1    |
| 22 | 05903005 | SCHRAUBE            |               | pz | 1    |
| 23 | 07990005 | O-RING              |               | pz | 1    |
| 24 | 07991005 | SCHRAUBE TCEI       |               | pz | 1    |
| 25 | 07992005 | WASHER, PLATE       |               | pz | 1    |



| # | Code     | Beschreibung  | Spezifikation | ME | Anz. |
|---|----------|---------------|---------------|----|------|
| 1 | 08079005 | BASE ASSY     |               | pz | 1    |
| 2 | 08080005 | ROTOR ASSY    |               | pz | 1    |
| 3 | 06182005 | SCHRAUBE      |               | pz | 3    |
| 4 | 06375005 | MUTTER        |               | pz | 1    |
| 5 | 08081005 | WASHER, PLATE |               | pz | 1    |



| #  | Code     | Beschreibung             | Spezifikation | ME | Anz. |
|----|----------|--------------------------|---------------|----|------|
| 1  | 08095005 | CARBURETOR ASSY 1        |               | pz | 1    |
| 2  | 07859005 | PLUNGER, STARTER         |               | pz | 1    |
| 3  | 07860005 | SCHWIMMER                |               | pz | 1    |
| 4  | 07861005 | DICHTUNG SCHWIMMERKAMMER |               | pz | 1    |
| 5  | 07862005 | PLUG, SCREW              |               | pz | 1    |
| 6  | 07863005 | O-RING                   |               | pz | 1    |
| 7  | 07864005 | VENTIL                   |               | pz | 1    |
| 8  | 07865005 | PLATE                    |               | pz | 2    |
| 9  | 07866005 | .JET, SLOW (#52)         | ACCESSORY     | pz | 1    |
| 9  | 07867005 | .JET, SLOW (#62)         | ACCESSORY     | pz | 1    |
| 9  | 07868005 | .JET, SLOW (#60)         | ACCESSORY     | pz | 1    |
| 9  | 07869005 | .JET, SLOW (#58)         | ACCESSORY     | pz | 1    |
| 9  | 07870005 | .JET, SLOW (#55)         | STD           | pz | 1    |
| 9  | 07871005 | .JET, SLOW (#50)         | ACCESSORY     | pz | 1    |
| 9  | 07872005 | .JET, SLOW (#48)         | ACCESSORY     | pz | 1    |
| 9  | 07873005 | .JET, SLOW (#45)         | ACCESSORY     | pz | 1    |
| 9  | 07874005 | .JET, SLOW (#42)         | ACCESSORY     | pz | 1    |
| 9  | 07875005 | .JET, SLOW (#40)         | ACCESSORY     | pz | 1    |
| 9  | 07876005 | .JET, SLOW (#38)         | ACCESSORY     | pz | 1    |
| 10 | 07877005 | .NEEDLE (N3EW)           | STD           | pz | 1    |
| 10 | 07878005 | .NEEDLE (N89G)           | ACCESSORY     | pz | 1    |
| 10 | 07879005 | .NEEDLE (N89H)           | ACCESSORY     | pz | 1    |
| 10 | 07880005 | .NEEDLE (N89W)           | ACCESSORY     | pz | 1    |
| 10 | 07881005 | .NEEDLE (N89J)           | ACCESSORY     | pz | 1    |
| 10 | 07882005 | .NEEDLE (N3CG)           | ACCESSORY     | pz | 1    |
| 10 | 07883005 | .NEEDLE (N3CH)           | ACCESSORY     | pz | 1    |
| 10 | 07884005 | .NEEDLE (N3CW)           | ACCESSORY     | pz | 1    |
| 10 | 07885005 | .NEEDLE (N3CJ)           | ACCESSORY     | pz | 1    |
| 10 | 07886005 | .NEEDLE (N3CK)           | ACCESSORY     | pz | 1    |
| 10 | 07887005 | .NEEDLE (N3EG)           | ACCESSORY     | pz | 1    |
| 10 | 07888005 | .NEEDLE (N3EH)           | ACCESSORY     | pz | 1    |
| 10 | 07889005 | .NEEDLE (N3EJ)           | ACCESSORY     | pz | 1    |
| 10 | 07890005 | .NEEDLE (N3EK)           | ACCESSORY     | pz | 1    |
| 10 | 07891005 | .NEEDLE (N8RH)           | ACCESSORY     | pz | 1    |
| 10 | 07892005 | .NEEDLE (N8RW)           | ACCESSORY     | pz | 1    |
| 10 | 07893005 | .NEEDLE (N8RJ)           | ACCESSORY     | pz | 1    |
| 11 | 07894005 | RING, SNAP               |               | pz | 1    |
| 12 | 07895005 | VENTIL                   |               | pz | 1    |
| 13 | 07896005 | HOLDER                   |               | pz | 1    |
| 14 | 07897005 | GASKET                   |               | pz | 1    |

| #  | Code     | Beschreibung           | Spezifikation | ME | Anz. |
|----|----------|------------------------|---------------|----|------|
| 15 | 07898005 | AIR SCREW SET          |               | pz | 1    |
| 16 | 07899005 | SPRING, THROTTLE VALVE |               | pz | 1    |
| 17 | 07900005 | CLIP                   |               | pz | 1    |
| 18 | 07901005 | BOLT, BUTTON HEAD      |               | pz | 4    |
| 19 | 07902005 | HOSE                   |               | pz | 2    |
| 20 | 07903005 | PIPE, BREATHER 1       |               | pz | 1    |
| 21 | 07904005 | STIFT                  |               | pz | 1    |
| 22 | 07905005 | CLIP                   |               | pz | 5    |
| 23 | 07906005 | .JET, MAIN (#180)      | ACCESSORY     | pz | 1    |
| 23 | 07907005 | .JET, MAIN (#190)      | STD           | pz | 1    |
| 23 | 07908005 | .JET, MAIN (#188)      | ACCESSORY     | pz | 1    |
| 23 | 07909005 | .JET, MAIN (#185)      | ACCESSORY     | pz | 1    |
| 23 | 07910005 | .JET, MAIN (#182)      | ACCESSORY     | pz | 1    |
| 23 | 07911005 | .JET, MAIN (#178)      | ACCESSORY     | pz | 1    |
| 23 | 07912005 | .JET, MAIN (#175)      | ACCESSORY     | pz | 1    |
| 23 | 07913005 | .JET, MAIN (#172)      | ACCESSORY     | pz | 1    |
| 23 | 07914005 | .JET, MAIN (#170)      | ACCESSORY     | pz | 1    |
| 23 | 07915005 | .JET, MAIN (#168)      | ACCESSORY     | pz | 1    |
| 23 | 07916005 | .JET, MAIN (#165)      | ACCESSORY     | pz | 1    |
| 23 | 07917005 | .JET, MAIN (#162)      | ACCESSORY     | pz | 1    |
| 23 | 08673005 | .JET, MAIN (#195)      | ACCESSORY     | pz | 1    |
| 24 | 07918005 | RING                   |               | pz | 1    |
| 25 | 07919005 | BOLT, BUTTON HEAD      |               | pz | 2    |
| 26 | 07920005 | SCHLAUCH               |               | pz | 1    |
| 27 | 07921005 | .JET (#50)             | STD           | pz | 1    |
| 27 | 07922005 | .JET (#55)             | ACCESSORY     | pz | 1    |
| 27 | 07923005 | .JET (#60)             | ACCESSORY     | pz | 1    |
| 27 | 07924005 | .JET (#65)             | ACCESSORY     | pz | 1    |
| 27 | 07925005 | .JET (#70)             | ACCESSORY     | pz | 1    |
| 27 | 07926005 | .JET (#40)             | ACCESSORY     | pz | 1    |
| 28 | 07927005 | PASSACAVO              |               | pz | 1    |
| 29 | 07928005 | BOLT, BUTTON HEAD      |               | pz | 1    |
| 30 | 07929005 | POWER JET              |               | pz | 1    |
| 31 | 07930005 | O-RING                 |               | pz | 1    |
| 32 | 07931005 | COLLAR                 |               | pz | 1    |
| 33 | 07932005 | MOLLA                  |               | pz | 1    |
| 34 | 07933005 | SCHRAUBE               |               | pz | 1    |
| 35 | 07934005 | FEDER                  |               | pz | 1    |
| 36 | 07935005 | HEBEL                  |               | pz | 1    |
| 37 | 07936005 | BOLT                   |               | pz | 2    |

| #  | Code     | Beschreibung         | Spezifikation | ME | Anz. |
|----|----------|----------------------|---------------|----|------|
| 38 | 08360005 | SENSOR DROSSELKLAPPE |               | pz | 1    |
| 39 | 08354005 | O-RING               |               | pz | 1    |
| 40 | 08348005 | BOLT                 |               | pz | 1    |