



Spare parts catalogue
XEF-XXF 250 MY22

Index

Models	4
Frame	6
Swingarm	9
AMMORTIZZATORE POSTERIORE	11
Steering plates	13
Fork	15
Front wheel	18
Rear Wheel	20
Front Brake	23
Rear Brake	25
Radiators	28
Fuel	30
Aspiration	32
Exhaust	35
Controls	38
Front Bodywork	41
Tank bodywork	44
Rear Bodywork	46
Wiring XEF	49
Wiring XXF	52
Booklets - Decalco	55
Crankcase	57
Crankcase Covers	59
Head - Cylinder	61
Valves	63
Distribution	65
CRANKSHAFT ASSY	67
Clutch	69
Water pump	71
Oil Pump	73

Oil filter	75
Shift control	77
SHIFT CAM	79
Gear Shift	81
STARTING MOTOR ASSY	84
WHEEL STARTER	86
Flywheel	88
100 - Suggested Spare Parts 4 Stroke	90
101 - Suggested Spare Parts 4 Stroke	92



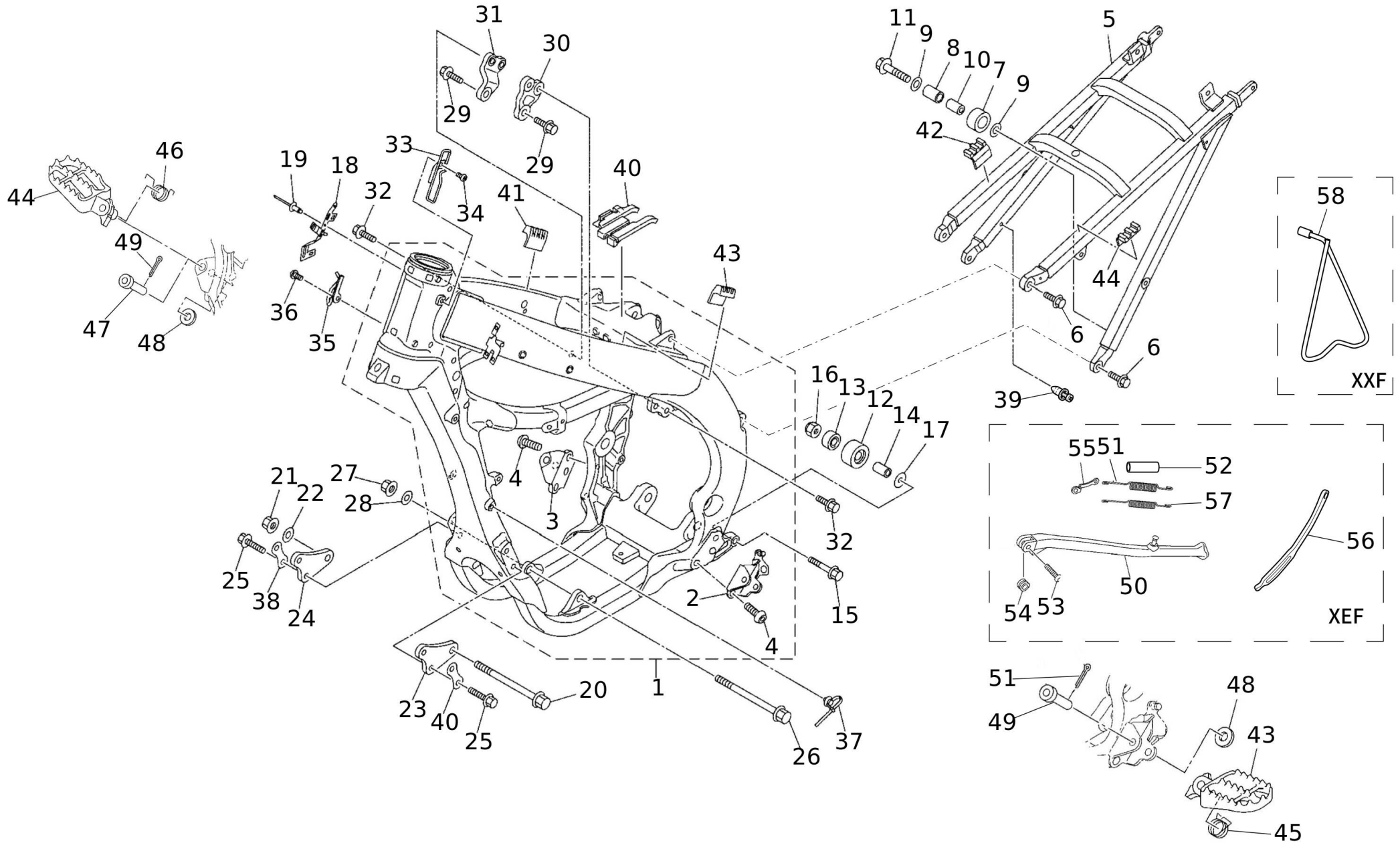
XXF 250
XXF



XEF 250
XEF

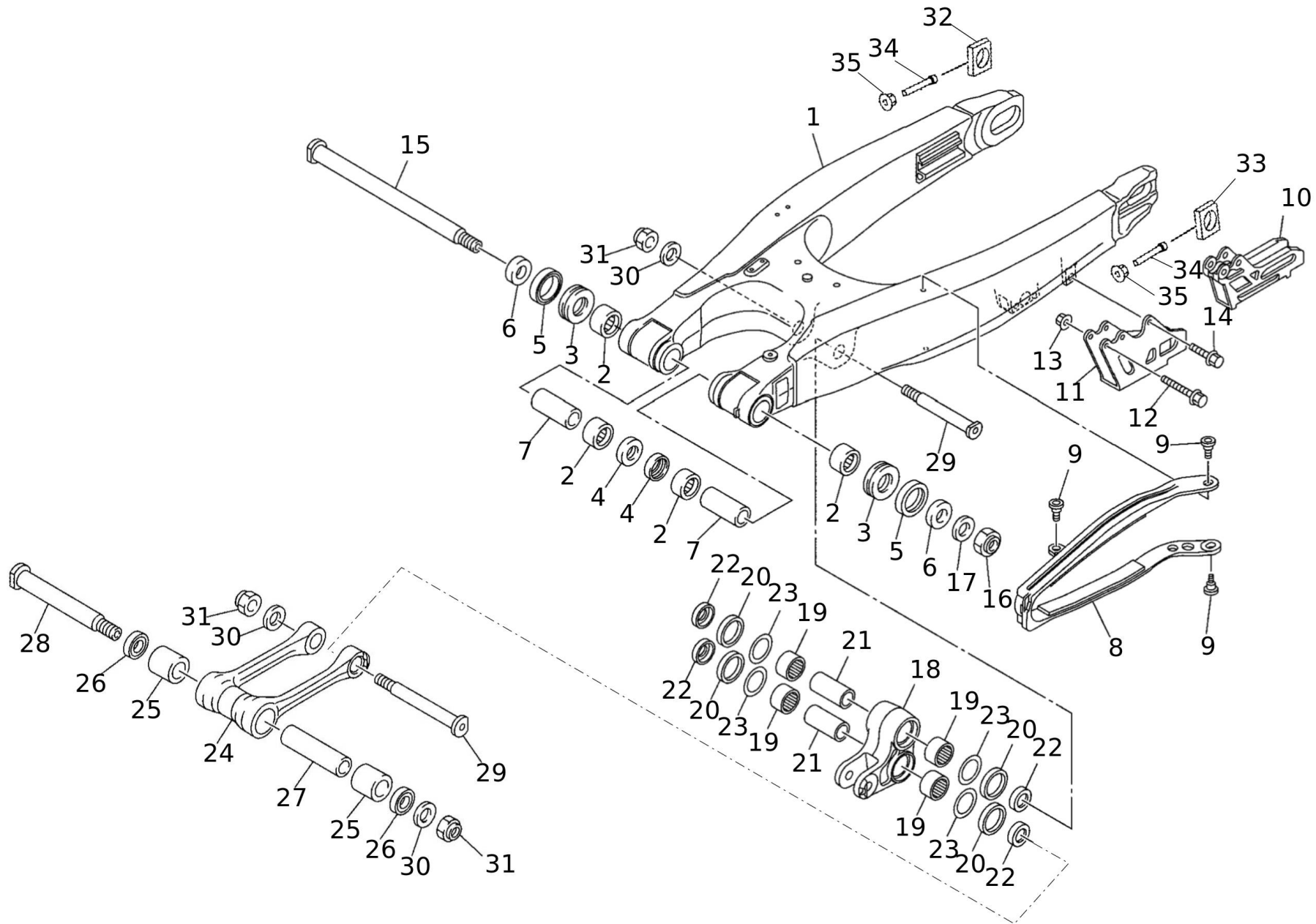
#	Code	Description	Specification	UM	Qty
---	------	-------------	---------------	----	-----



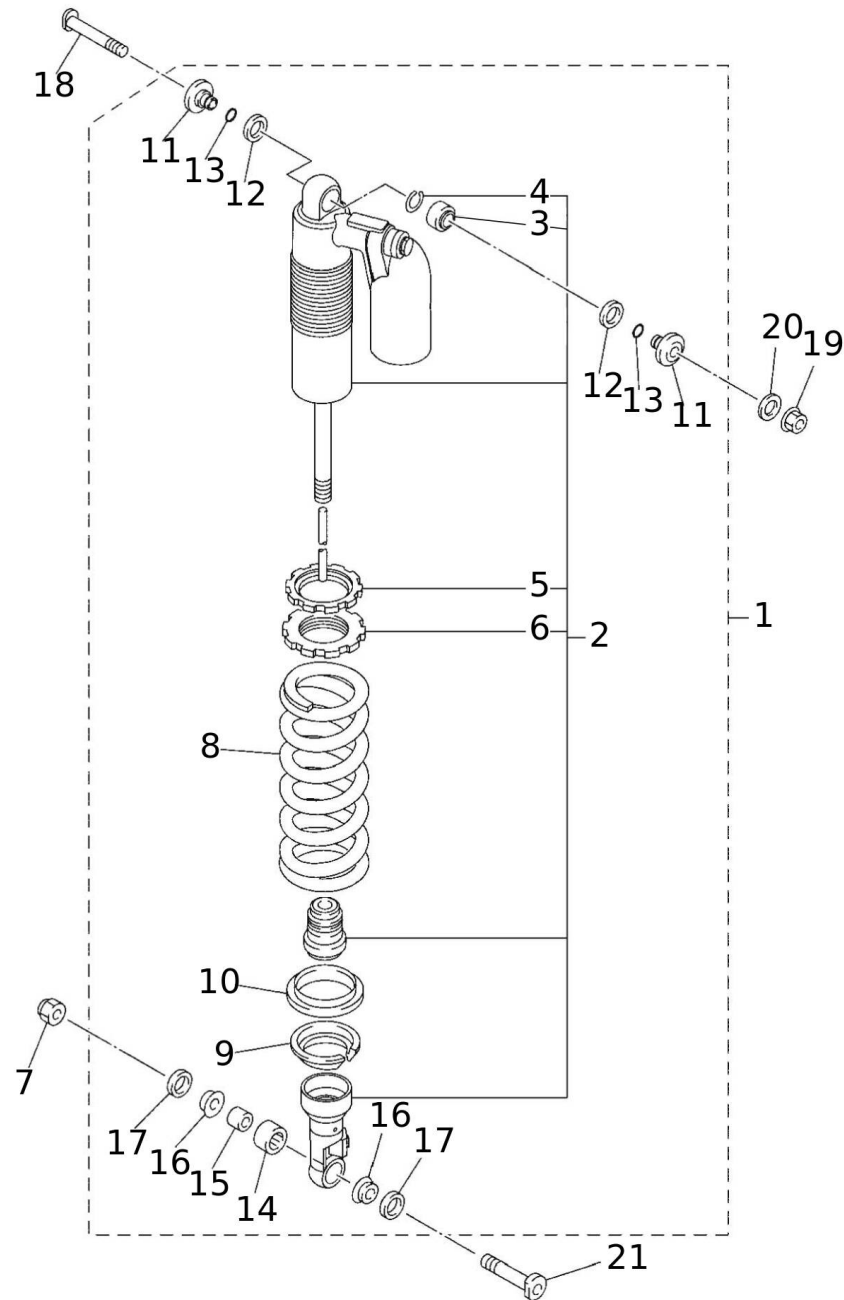


#	Code	Description	Specification	UM	Qty
1	06928020	GRUPPO TELAIO ANTERIORE	XEF	pz	1
1	08247005	GRUPPO TELAIO ANTERIORE	XXF	pz	1
2	06929005	.BRACKET, FOOTREST	XEF	pz	1
2	08248005	.BRACKET, FOOTREST	XXF	pz	1
3	06930005	BRACKET FOOTREST		pz	1
4	05997005	SCREW		pz	4
5	06931005	TELAIETTO POSTERIORE	XXF	pz	1
5	08402005	FRAME	XEF	pz	1
6	06932005	BOLT FLANGE		pz	4
7	06004005	TENSIONER		pz	1
8	06005005	COLLAR		pz	1
9	06006005	WASHER PLATE		pz	2
10	06007005	COLLAR		pz	1
11	06933005	BOLT FLANGE DEEP RECESS		pz	1
12	06934005	TENSIONER		pz	1
13	06010005	BEARING		pz	1
14	06011005	COLLAR		pz	1
15	06935005	BOLT FLANGE		pz	1
16	06013005	NUT SELF-LOCKING		pz	1
17	06014005	WASHER PLATE		pz	1
18	06936005	BRACKET, BATTERYBOX	XEF	pz	1
18	08249005	BRACKET, BATTERYBOX	XXF	pz	1
19	06937005	RIVET BLIND		pz	2
20	06938005	BOLT FLANGE		pz	1
21	06016005	NUT		pz	1
22	06350005	WASHER		pz	1
23	06939005	SUPPORTO ANTERIORE BASSO 1	XEF	pz	1
23	08250005	SUPPORTO ANTERIORE BASSO 1	XXF	pz	1
24	06939005	SUPPORTO ANTERIORE BASSO 1	XEF	pz	1
24	07580005	SUPPORTO ANTERIORE BASSO 2	XXF	pz	1
25	06941005	BOLT FLANGE		pz	4
26	06022005	BOLT FLANGE		pz	1
27	06016005	NUT		pz	1
28	06350005	WASHER		pz	1
29	06942005	BOLT FLANGE		pz	2
30	06943005	SUPPORTO POSTERIORE ALTO 1	XEF	pz	1
30	07581005	SUPPORTO POSTERIORE ALTO 1	XXF	pz	1
31	06944005	SUPPORTO POSTERIORE ALTO 2	XEF	pz	1
31	07582005	SUPPORTO POSTERIORE ALTO 2	XXF	pz	1
32	06941005	BOLT FLANGE	XEF	pz	4

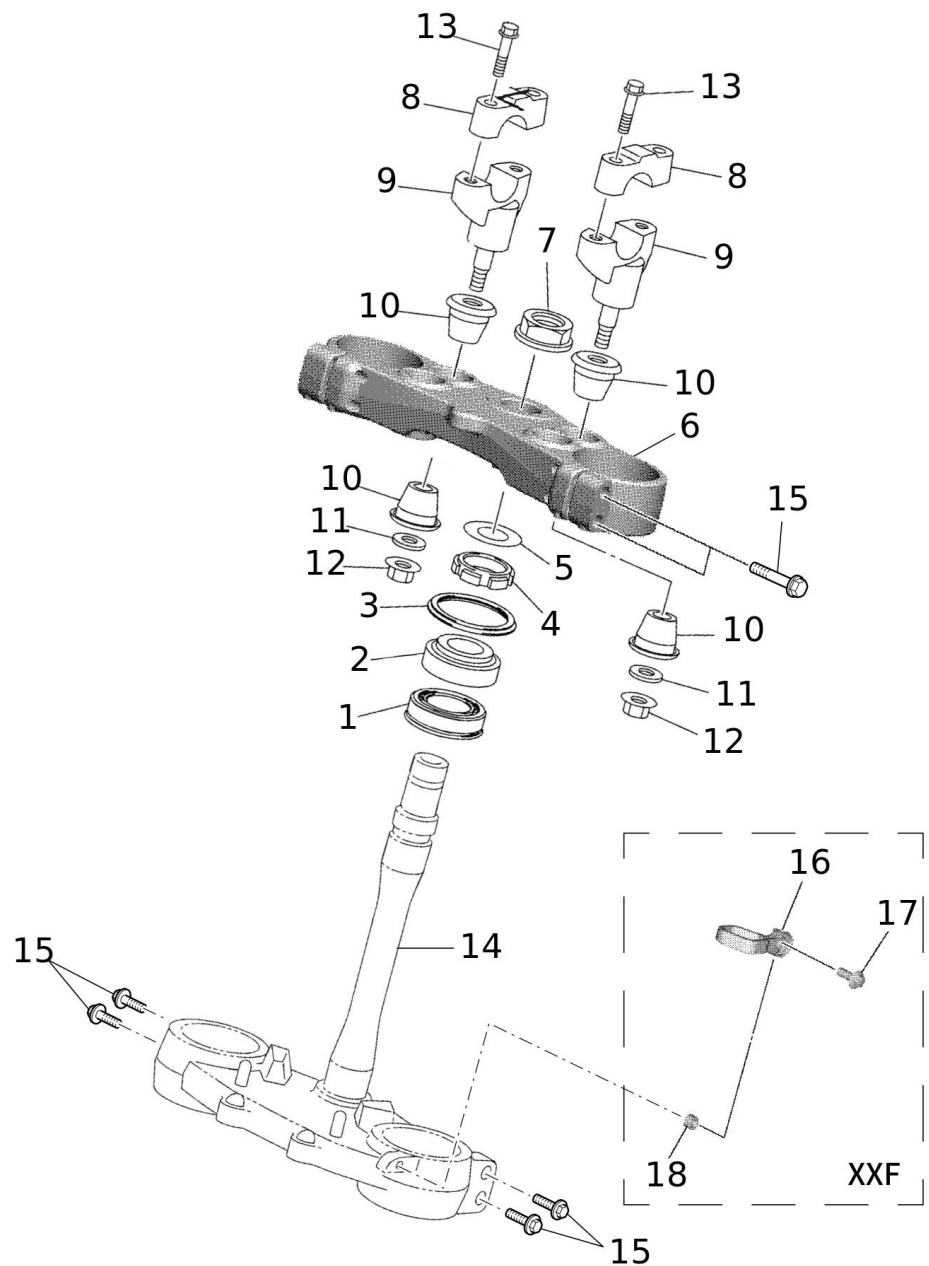
#	Code	Description	Specification	UM	Qty
32	07578005	VITE M8x25 (TF 12) TE FLANGIA 17 (CH. 12)	XXF	pz	4
33	06946005	CLAMP		pz	1
34	06947005	BOLT BUTTON HEAD		pz	1
35	08253005	CLAMP	XXF	pz	1
35	08522005	CLAMP	XEF	pz	1
36	06947005	BOLT BUTTON HEAD		pz	1
37	06949005	FASCETTA		pz	1
38	07601005	SUPPORTO ANTERIORE BASSO 2	XEF	pz	2
39	06951005	RIVET BLIND		pz	1
40	06952005	GOMMINO TELAIO 1		pz	1
41	06953005	DAMPER LOCATING 2		pz	2
42	06954005	GOMMINO TELAIO 3		pz	2
43	08531005	PEDANA SINISTRA		pz	1
44	08532005	PEDANA DESTRA		pz	1
45	06340005	SPRING, TORSION	XXF	pz	1
45	07083005	SPRING, TORSION	XEF	pz	1
46	06341005	SPRING, TORSION		pz	1
47	06342005	PIN CLEVIS		pz	2
48	06343005	WASHER PLATE		pz	2
49	06344005	PIN COTTER		pz	2
50	07084005	STAND SIDE	XEF	pz	1
51	08562005	MOLLA CAVALLETTO XEF ESTERNA	XEF	pz	1
52	07086005	HOSE (L70)	XEF	pz	1
53	07087005	BOLT,HEX. SOCKET BUTTON	XEF	pz	1
53	07668005	SIDE STAND RETURN PIN XE	XEF	pz	1
54	07088005	COLLAR	XEF	pz	1
55	07089005	LINK SIDE STAND	XEF	pz	1
56	08152005	KICKSTAND BAND	XEF	pz	1
57	07420005	SPRING	XEF	pz	1
58	08718005	SUPPORTO LATERALE XXF	XXF	pz	1



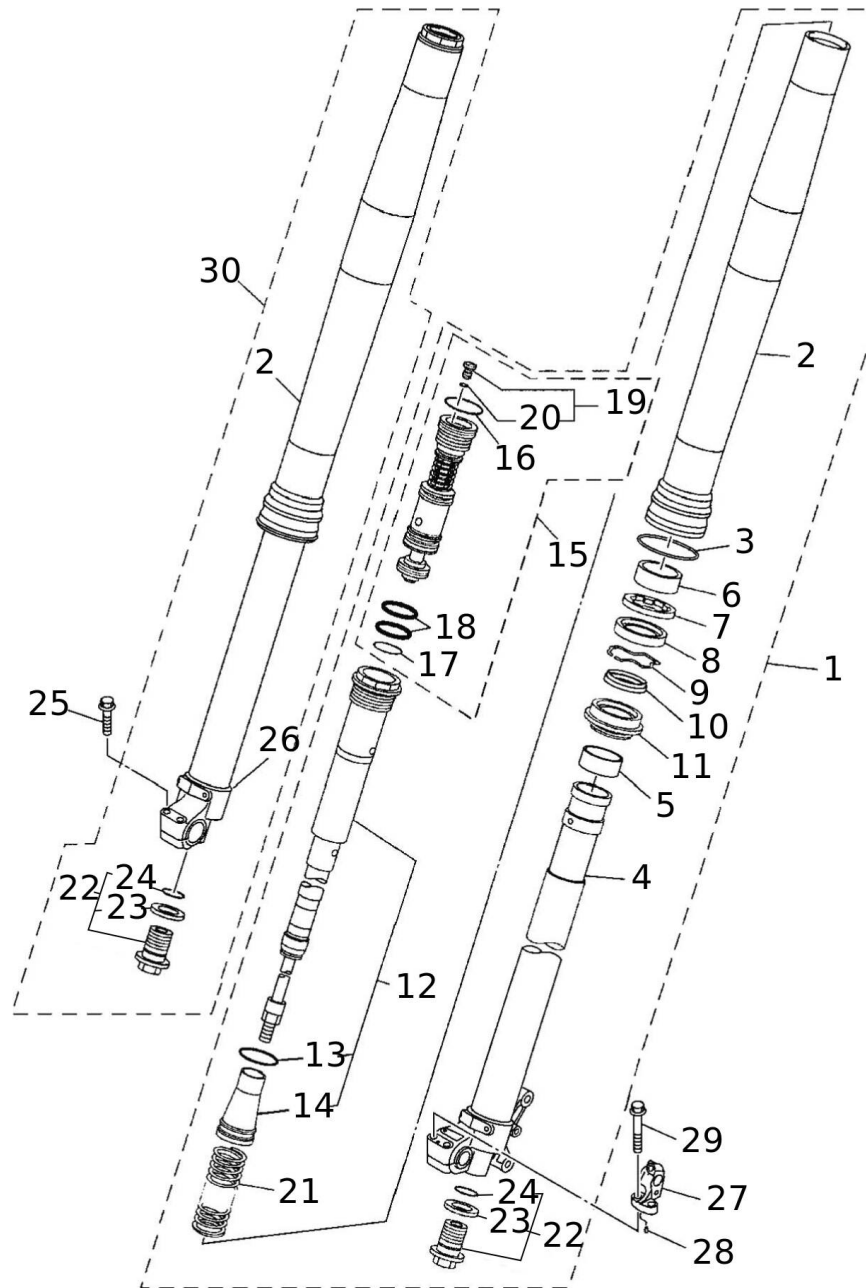
#	Code	Description	Specification	UM	Qty
1	06980005	FORCELLONE	XXF	pz	1
1	08540005	FORCELLONE	XEF	pz	1
2	06034005	BEARING		pz	4
3	06035005	BEARING		pz	2
4	06036005	OIL SEAL		pz	2
5	06037005	OIL SEAL		pz	2
6	06981005	COLLAR		pz	2
7	06984005	COLLAR		pz	2
8	06985005	SEAL GUARD		pz	1
9	06041005	SCREW		pz	3
10	06042005	SUPPORT CHAIN		pz	1
11	06043005	COVER THRUST		pz	1
12	06044005	VITE M6X50 (T.F. 20) TE FLANGIATA		pz	2
13	06625005	NUT FLANGE		pz	2
14	06617005	BOLT FLANGE DEEP RECESS		pz	1
15	06986005	SHAFT PIVOT		pz	1
16	06048005	NUT SELF-LOCKING		pz	1
17	06049005	WASHER PLATE		pz	1
18	06987005	ARM RELAY		pz	1
19	06051005	BEARING		pz	4
20	06052005	OIL SEAL		pz	4
21	06988005	COLLAR		pz	2
22	06054005	WASHER		pz	4
23	06055005	WASHER		pz	4
24	06989005	ROD CONNECTING		pz	1
25	06051005	BEARING		pz	2
26	06058005	OIL SEAL		pz	2
27	06059005	COLLAR		pz	1
28	06990005	SHAFT 1		pz	1
29	06991005	SHAFT 2		pz	2
30	06062005	WASHER		pz	3
31	06063005	NUT SELF-LOCKING		pz	3
32	06253005	PULLER, CHAIN 1	XEF	pz	1
32	08283005	PULLER, CHAIN 1	XXF	pz	1
33	06254005	PULLER CHAIN 2	XEF	pz	1
33	08284005	PULLER CHAIN 2	XXF	pz	1
34	06255005	BOLT		pz	2
35	05627005	NUT		pz	2



#	Code	Description	Specification	UM	Qty
1	07599020	AMMORTIZZATORE POST XEF250 MY22	XEF	pz	1
1	08254005	SHOCK ABSORBER ASSY,REAR	XXF	pz	1
2	09301005	DAMPER SUB ASSY	XXF	pz	1
2	09307005	DAMPER SUB ASSY	XEF	pz	1
3	06070005	BUSH SHOCK ABSORBER		pz	1
4	06071005	CIRCLIP		pz	1
5	06994005	GUIDE SPRING 3		pz	1
6	06995005	SEAT SPRING UPPER		pz	1
7	06089005	NUT SELF-LOCKING		pz	1
8	07141005	SPRING (K=52 BLACK)	Accessory	pz	1
8	07142005	SPRING (K=54 BLACK)	Accessory	pz	1
8	07143005	SPRING (K=56 BLACK)	STD	pz	1
8	07144005	SPRING (K=58 BLACK)	Accessory	pz	1
8	07145005	SPRING (K=60 BLACK)	Accessory	pz	1
8	07146005	SPRING (K=50 BLACK)	Accessory	pz	1
8	07147005	SPRING (K=48 BLACK)	Accessory	pz	1
9	06996005	GUIDE SPRING 1		pz	1
10	06997005	GUIDE SPRING 2		pz	1
11	06078005	COLLAR DISTANCE		pz	2
12	06079005	SEAL, DUST		pz	2
13	06080005	SEAL RING		pz	2
14	06081005	BEARING		pz	1
15	06082005	BEARING		pz	1
16	06083005	COLLAR DISTANCE		pz	2
17	06084005	SEAL, DUST		pz	2
18	06085005	BOLT		pz	1
19	06086005	NUT S/L FLANGE		pz	1
20	06017005	WASHER		pz	1
21	06088005	BOLT		pz	1



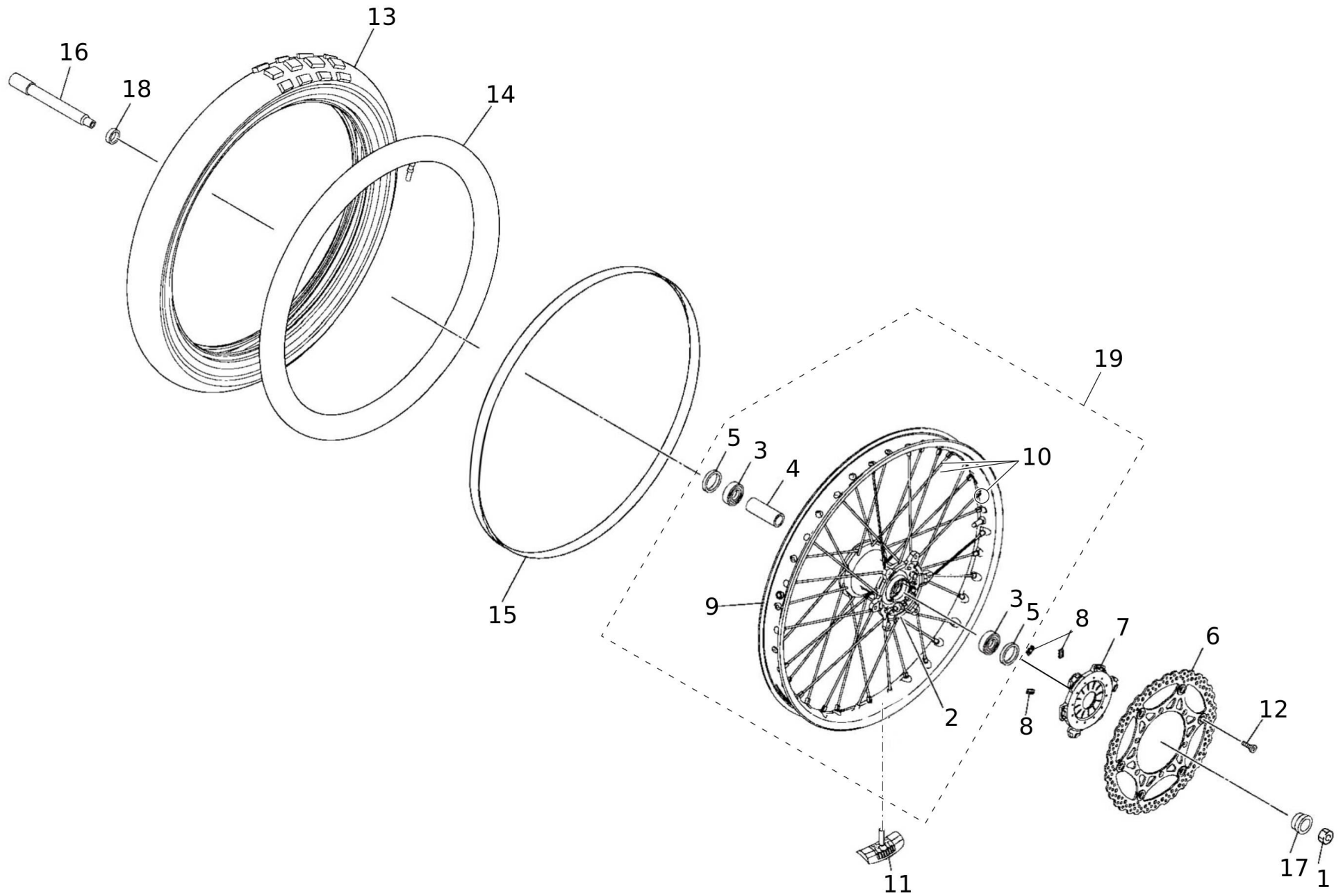
#	Code	Description	Specification	UM	Qty
1	06154005	BEARING		pz	1
2	06093005	BEARING		pz	1
3	06998005	COVER BALL RACE 2		pz	1
4	06999005	NUT		pz	1
5	06096005	WASHER PLATE (T1.0)	XXF	pz	1
5	07000005	WASHER, PLATE	XEF	pz	1
6	08536005	PIASTRA DI STERZO SUPERIORE		pz	1
7	07002005	NUT		pz	1
8	08533005	SUPPORTO SUPERIORE MANUBRIO		pz	2
9	08534005	SUPPORTO INFERIORE MANUBRIO		pz	2
10	07005005	HOLDER DAMPER		pz	4
11	07006005	WASHER PLATE		pz	2
12	06086005	NUT S/L FLANGE		pz	2
13	08541005	VITE M8x30 FLANGIA 14.5 (CH. 10) INCASSO PROFONDO		pz	4
14	07018005	UNDER BRACKET COMP.	XEF	pz	1
14	08267005	UNDER BRACKET COMP.	XXF	pz	1
15	07007005	BOLT FLANGE DEEP RECESS		pz	8
16	08257005	CLAMP	XXF	pz	1
17	05758005	BOLT FLANGE	XXF	pz	1
18	08258005	COLLAR	XXF	pz	1



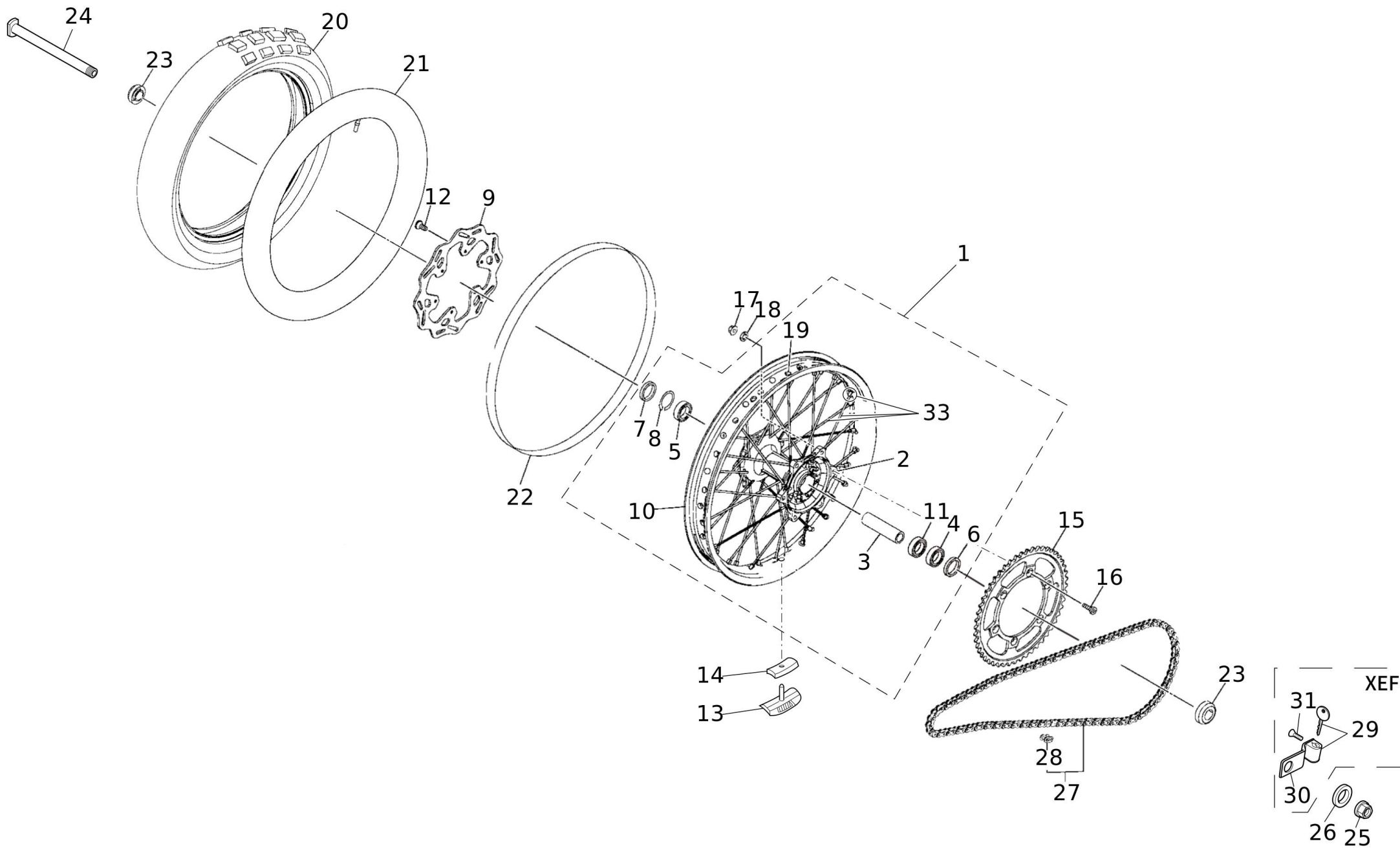
Fork

#	Code	Description	Specification	UM	Qty
1	09302005	FRONT FORK ASSY (L.H)	XXF	pz	1
1	09308005	FRONT FORK ASSY (L.H)	XEF	pz	1
2	07009005	.TUBE, OUTER	XEF	pz	2
2	08262005	.TUBE, OUTER	XXF	pz	2
3	06107005	CIRCLIP		pz	2
4	07010005	.INNERTUBECOMP. 2	XEF	pz	1
4	08260005	.INNERTUBECOMP. 2	XXF	pz	1
5	06109005	SPACER FRONT FORK		pz	2
6	06110005	METAL SLIDE 1		pz	2
7	06111005	WASHER, OIL SEAL		pz	2
8	07011005	OIL SEAL		pz	2
9	06113005	RING SNAP		pz	2
10	07012005	SCRAPER	XEF	pz	2
11	06114005	SEAL DUST		pz	2
12	09305005	CYLINDER COMP. FRONT FORK	XXF	pz	2
12	09310005	CYLINDER COMP. FRONT FORK	XEF	pz	2
13	09192005	O-RING		pz	2
14	07013005	SEAT SPRING UPPER		pz	2
15	09304005	VALVE COMP.	XXF	pz	2
15	09306005	VALVE COMP.	XEF	pz	2
16	09194005	O-RING		pz	2
17	06121005	O-RING		pz	2
18	09195005	O-RING		pz	4
19	06123005	AIR VALVE COMP.		pz	2
20	09198005	O-RING		pz	2
21	07015005	SPRING FRONT FORK (K=4.6)	STD XEF	pz	2
21	07148005	SPRING FRONT FORK (K=4.5)	Accessory	pz	2
21	07149005	SPRING FRONT FORK (K=4.7)	STD XXF	pz	2
21	07150005	SPRING FRONT FORK (K=4.8)	Accessory	pz	2
21	07151005	SPRING FRONT FORK (K=4.9)	Accessory	pz	2
21	07152005	SPRING FRONT FORK (K=5.0)	Accessory	pz	2
21	07153005	SPRING FRONT FORK (K=5.1)	Accessory	pz	2
21	07154005	SPRING FRONT FORK (K=4.1)	Accessory	pz	2
21	07155005	SPRING FRONT FORK (K=4.2)	Accessory	pz	2
21	07156005	SPRING FRONT FORK (K=4.3)	Accessory	pz	2
21	07157005	SPRING FRONT FORK (K=4.4)	Accessory	pz	2
22	09199005	VITE DI REGOLAZIONE		pz	2
23	06127005	GASKET		pz	2
24	09200005	GASKET		pz	2
25	07007005	BOLT FLANGE DEEP RECESS		pz	2

#	Code	Description	Specification	UM	Qty
26	07017005	.INNER TUBE COMP.1	XEF	pz	1
26	08263005	.INNER TUBE COMP.1	XXF	pz	1
27	07020005	BRACKET 1	XEF	pz	1
28	07021005	PIN DOWEL	XEF	pz	2
29	07022005	BOLT FLANGE DEEP RECESS	XEF	pz	2
30	09303005	FRONT FORK ASSY (R.H)	XXF	pz	1
30	09309005	FRONT FORK ASSY (R.H)	XEF	pz	1

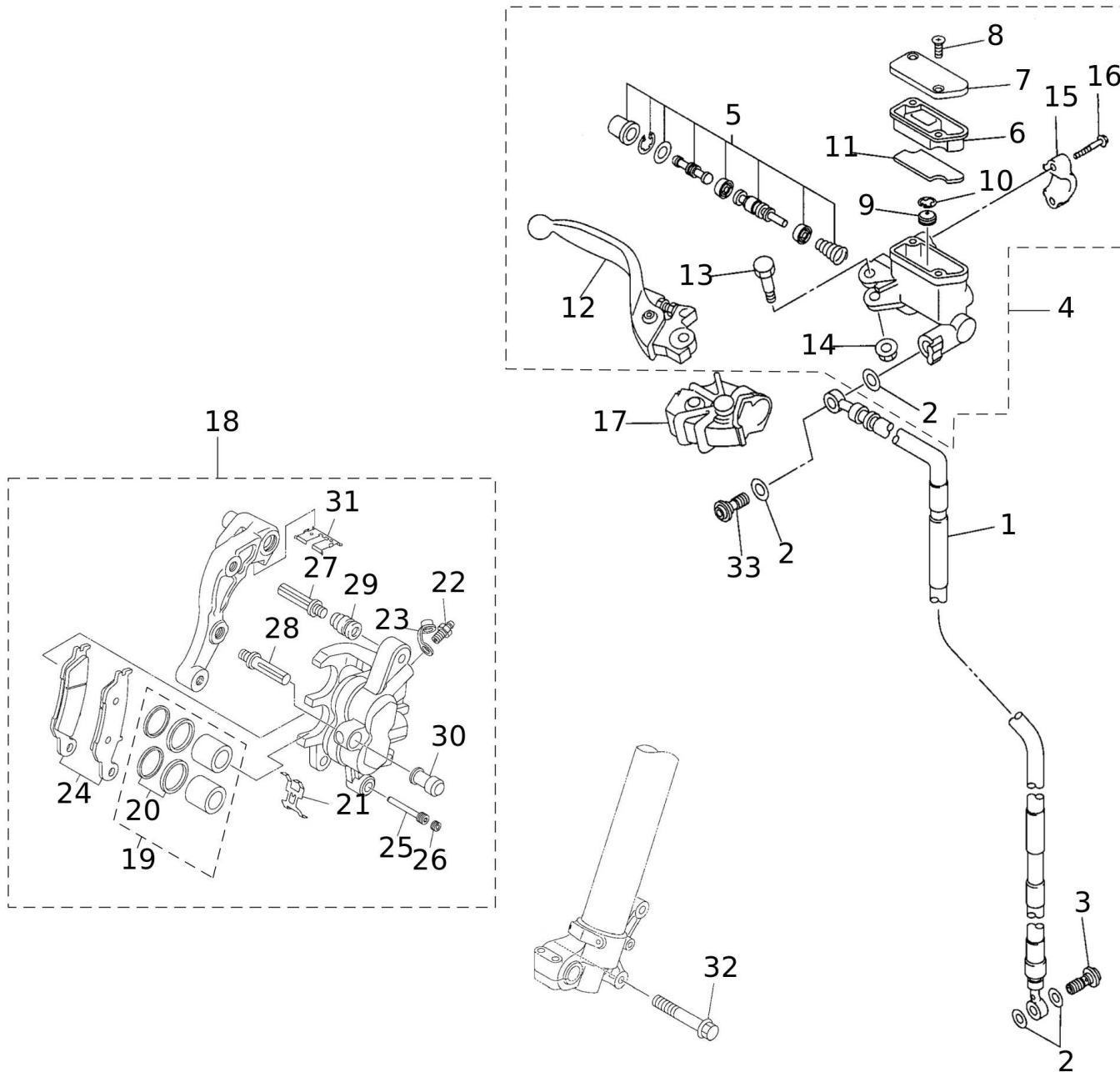


#	Code	Description	Specification	UM	Qty
1	07057005	NUT		pz	1
2	08154005	HUB FRONT		pz	1
3	07048005	BEARING	XXF	pz	2
3	07597005	BEARING	XEF	pz	2
4	07049005	SPACER BEARING		pz	1
5	07050005	OIL SEAL		pz	2
6	07547005	GRUPPO DISCO FRENO	XXF	pz	1
6	08424005	FR. BRAKE DISK ASSY	XEF	pz	1
7	07058005	ROTOR SENSOR	XEF	pz	1
8	07059005	GROMMET	XEF	pz	3
9	08131005	RIM (1.60-21)	XEF	pz	1
9	08302005	RIM (1,60-21)	XXF	pz	1
10	06201005	SPOKE SET FRONT		pz	1
11	06205005	SPACER BEAD		pz	1
12	06212005	SCREW COUNTERSUNK		pz	6
13	08438005	PNEUMATICO 80/100-21 MX32 MID SOFT	XXF	pz	1
13	08441005	TIRE	XEF	pz	1
14	00234005	INNER TUBE-FRONT 21" CASA		pz	1
15	07531005	FLAP R21 1430 X 22		pz	1
16	08530005	PERNO RUOTA ANTERIORE		pz	1
17	07052005	COLLAR WHEEL	XEF	pz	1
17	08274005	COLLAR WHEEL	XXF	pz	1
18	07053005	COLLAR WHEEL		pz	1
19	09367020	CERCHIO RAGGIATO ANT XEF 250 MY22	XEF	pz	1
19	09368020	CERCHIO RAGGIATO ANT XXF 250	XXF	pz	1

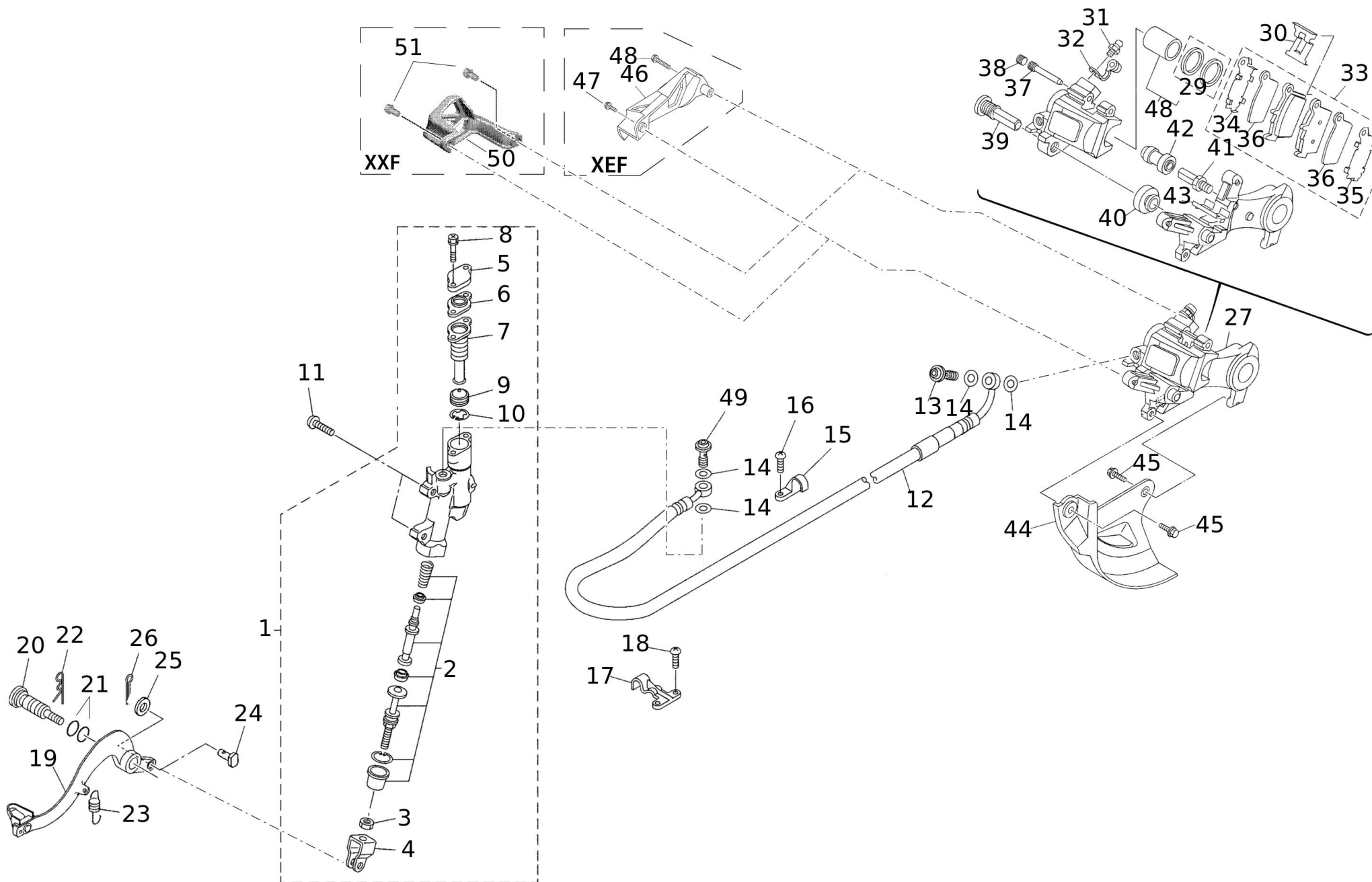


#	Code	Description	Specification	UM	Qty
1	09061020	RR. RIM XE 125 ASSY	XEF	pz	1
1	09369020	CERCHIO RAGGIATO POST XXF 250	XXF	pz	1
2	06228005	MOZZO POSTERIORE	XEF	pz	1
2	08275005	MOZZO POSTERIORE	XXF	pz	1
3	06229005	SPACER, BEARING	XEF	pz	1
3	08276005	SPACER, BEARING	XXF	pz	1
4	06230005	BEARING	XEF	pz	1
4	08277005	BEARING	XXF	pz	1
5	06231005	BEARING	XEF	pz	1
5	08277005	BEARING	XXF	pz	1
6	06232005	OIL SEAL	XEF	pz	1
6	08030005	OIL SEAL	XXF	pz	1
7	06233005	OIL SEAL	XEF	pz	1
7	08030005	OIL SEAL	XXF	pz	1
8	06234005	CIRCLIP	XEF	pz	1
8	08279005	CIRCLIP	XXF	pz	1
9	06270005	DISCO FRENO POSTERIORE 2	XEF	pz	1
9	07548005	DISCO FRENO POSTERIORE 2	XXF	pz	1
10	08132005	RIM (2.15-18)	XEF	pz	1
10	08281005	RIM(1.85-19)	XXF	pz	1
11	08277005	BEARING	XXF	pz	1
12	06212005	SCREW COUNTERSUNK		pz	6
13	06240005	SPACER BEAD	XXF	pz	1
13	06267005	SPACER BEAD	XEF	pz	1
14	06241005	DAMPER SUB ASSY		pz	1
15	06242005	SPROCKET DRIVEN (48T)	Accessory XXF	pz	1
15	06243005	SPROCKET DRIVEN (47T)	Accessory XXF	pz	1
15	06247005	SPROCKET DRIVEN (52T)	Accessory XXF	pz	1
15	07060005	SPROCKET DRIVEN (51T)	Accessory XEF	pz	1
15	07061005	SPROCKET DRIVEN (48T)	Accessory XEF	pz	1
15	07062005	SPROCKET DRIVEN (50T)	Accessory XEF	pz	1
15	07063005	SPROCKET DRIVEN (52T)	Accessory XEF	pz	1
15	08128005	SPOROCKET	STD XEF	pz	1
15	08468001	CORONA POST 51D MY22	Accessory XXF	pz	1
15	08696005	CORONA POST Z 50 MY22	STD XXF	pz	1
15	08697005	CORONA POST 49D MY22	Accessory XXF	pz	1
16	06248005	BOLT		pz	6
17	06249005	NUT SELF-LOCKING		pz	6
18	06014005	WASHER PLATE		pz	6
19	06251005	GROMMET		pz	1

#	Code	Description	Specification	UM	Qty
20	08439005	PNEUMATICO 100/90-19 MX32 MID SOFT	XXF	pz	1
20	08485005	PNEUMATICO 140/80-18 METZELER 6 DAYS	XEF	pz	1
21	08452005	CAMERA ARIA 100/90-19 120/80-19	XXF	pz	1
21	08454005	INNER TUBE	XEF	pz	1
22	07529005	FLAP R19 1370 X 25	XXF	pz	1
22	07530005	FLAP R18 1290 X 27	XEF	pz	1
23	07586005	SEAL, DUST	XXF	pz	2
23	07596005	COLLARINO	XEF	pz	2
24	06257005	PERNO RUOTA POSTERIORE	XEF	pz	1
24	08285005	PERNO RUOTA POSTERIORE	XXF	pz	1
25	06258005	NUT SELF-LOCKING	XEF	pz	1
25	08286005	NUT, SELF-LOCKING	XXF	pz	1
26	06259005	WASHER PLATE	XEF	pz	1
26	08287005	WASHER, PLATE	XXF	pz	1
27	06268005	CHAIN 520 114 LINKS WITH MASTER JOINT	XEF	pz	1
27	09379001	CATENA DID 520 114 MAGLIE APERTA	XXF	pz	1
28	06269005	JOINT CHAIN(DID520MXV5 ZJ)	XEF	pz	1
28	08713005	JOINT, CHAIN(DID520DM G&B-RJ)	XXF	pz	1
29	07386005	REAR SPROCKET LOCK XE/XEF	XEF	pz	1
30	07393005	REAR SPROCKET LOCK SUPPORTING BRACKET	XEF	pz	1
31	07444005	M6X12 SCREW COUNTERSUNK	XEF	pz	2
32	07394005	REAR SPROCKET LOCK WASHER	XEF	pz	1
33	06263005	SPOKE SET REAR	XEF	pz	1
33	09135005	SET RAGGI POSTERIORE 19"	XXF	pz	1

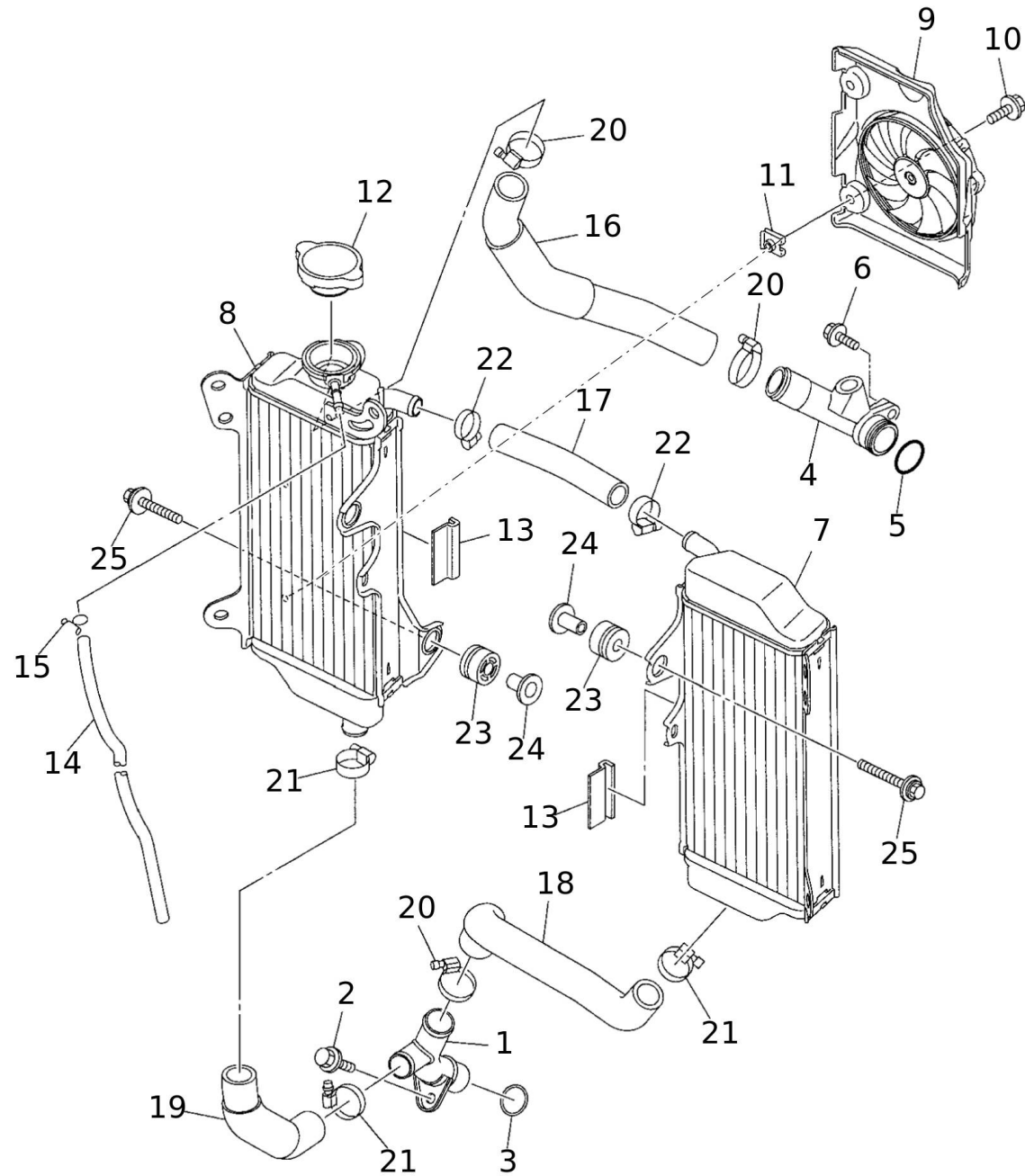


#	Code	Description	Specification	UM	Qty
1	07077005	TUBO FRENO 1	XEF	pz	1
1	08291005	TUBO FRENO 1	XXF	pz	1
2	06313005	GASKET		pz	4
3	06314005	BOLT, UNION		pz	1
4	09075020	FR. MASTER CYLINDER ASSY XX MY22		pz	1
5	06316005	CYLINDER KIT MASTER		pz	1
6	06317005	DIAFRAMMA SERBATOIO		pz	1
7	06318005	CAP RESERVOIR		pz	1
8	06319005	SCREW FLAT HEAD		pz	2
9	06320005	SEPARATOR ASSY		pz	1
10	06321005	CIRCLIP		pz	1
11	06322005	FLOAT RESERVOIR		pz	1
12	08740005	LEVA FRENO ANT.		pz	1
13	06324005	BOLT LEVER		pz	1
14	06325005	NUT WITH WASHER		pz	1
15	06326005	BRACKET MASTER CYLINDER		pz	1
16	06327005	BOLT FITTING		pz	2
17	06328005	COVER HANDLE LEVER 1		pz	1
18	08428005	ASSIEME PINZA FRENO ANT		pz	1
19	08426001	PISTON ASSY CALIPER		pz	1
20	08460001	CALIPER SEAL KIT		pz	1
21	08462001	SUPPORT PAD		pz	1
22	06217005	SCREW BLEED		pz	1
23	06218005	CAP		pz	1
24	08739005	PASTIGLIE FRENO ANT		pz	1
25	06220005	PIN PAD		pz	1
26	06221005	PLUG		pz	1
27	06222005	SCREW, PAN HEAD		pz	1
28	06223005	PIN		pz	1
29	06224005	BOOT CALIPER		pz	1
30	06225005	BOOT 2		pz	1
31	06226005	SUPPORT PAD		pz	1
32	06227005	BOLT FLANGE		pz	2
33	03259005	STOP SWITCH	XEF	pz	1
33	06314005	BOLT, UNION	XXF	pz	1

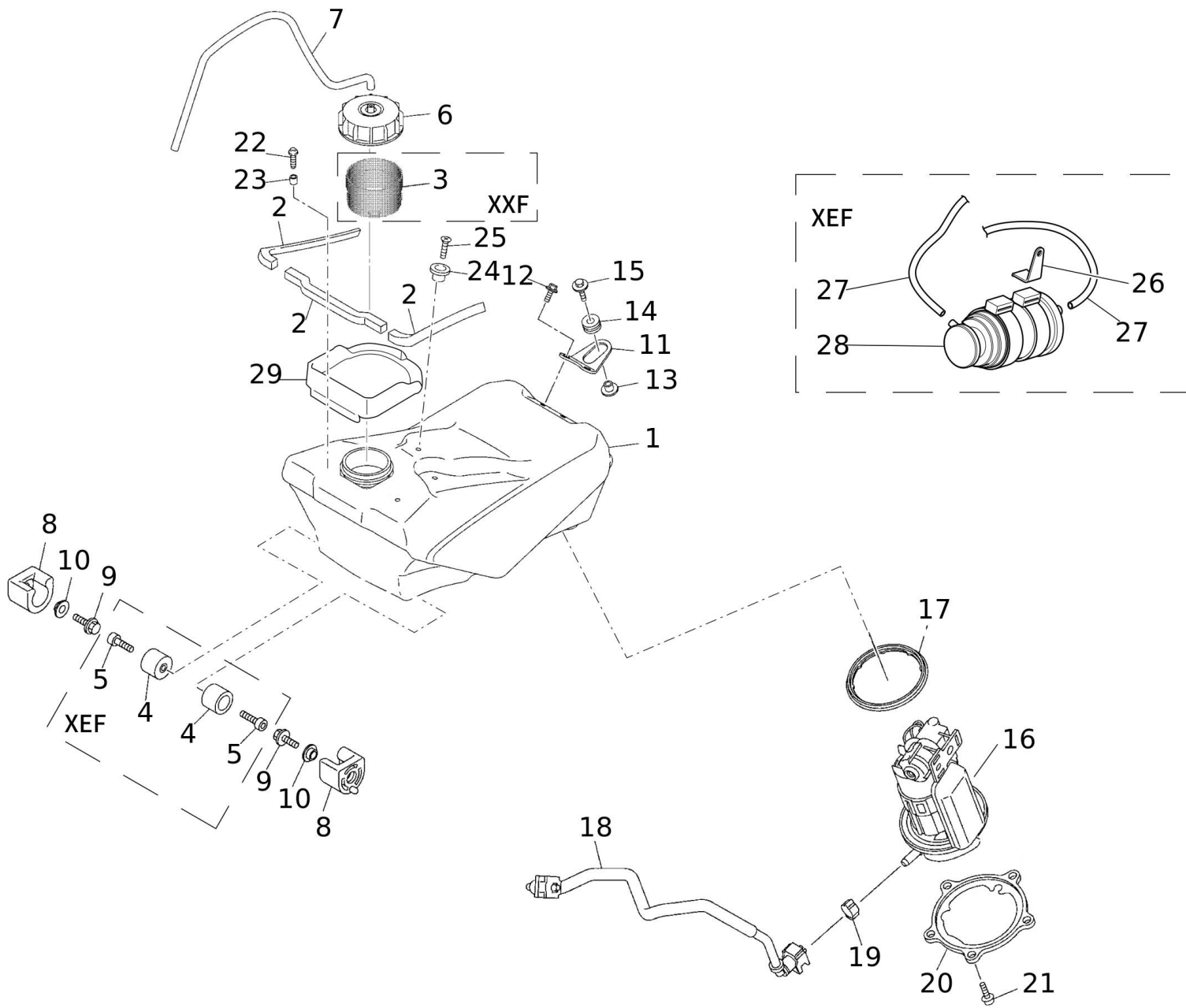


#	Code	Description	Specification	UM	Qty
1	07090020	RR. MASTER CYLINDER ASSY.		pz	1
2	06355005	CYLINDER KIT MASTER		pz	1
3	06356005	NUT		pz	1
4	06357005	JOINT		pz	1
5	06358005	CAP RESERVOIR		pz	1
6	06359005	PLATE DIAPHRAGM		pz	1
7	06360005	DIAFRAMMA SERBATOIO		pz	1
8	06361005	BOLT		pz	2
9	06320005	SEPARATOR ASSY		pz	1
10	06321005	CIRCLIP		pz	1
11	07091005	BOLT,HEX. SOCKET BUTTON		pz	2
12	06365005	TUBO FRENO 2	XEF	pz	1
12	07544005	TUBO FRENO 2	XXF	pz	1
13	06314005	BOLT, UNION		pz	1
14	06313005	GASKET		pz	4
15	06368005	HOLDER BRAKE HOSE		pz	1
16	06369005	SCREW PAN HEAD		pz	2
17	06370005	HOLDER BRAKE HOSE 2		pz	1
18	06369005	SCREW PAN HEAD		pz	2
19	07078005	PEDAL BRAKE		pz	1
20	07079005	BOLT		pz	1
21	06332005	O-RING		pz	2
22	06333005	CIRCLIP		pz	1
23	07080005	SPRING, TENSION		pz	1
24	06335005	PIN CLEVIS		pz	1
25	06336005	WASHER PLATE		pz	1
26	06337005	PIN COTTER		pz	1
27	07065020	CALIPER ASSY, REAR 2	XEF	pz	1
27	08289005	CALIPER ASSY, REAR 2	XXF	pz	1
28	06273005	PISTON ASSY CALIPER		pz	1
29	06274005	CALIPER SEAL KIT		pz	1
30	06275005	SUPPORT PAD		pz	1
31	06217005	SCREW BLEED		pz	1
32	06218005	CAP		pz	1
33	06277005	BRAKE PAD KIT 2	XXF	pz	1
33	07066020	BRAKE PAD KIT 2	XEF	pz	1
34	06278005	SHIM CALIPER		pz	1
35	06279005	SHIM CALIPER		pz	1
36	06280005	INSULATOR HEAT		pz	2
37	06281005	PIN PAD		pz	1

#	Code	Description	Specification	UM	Qty
38	06221005	PLUG		pz	1
39	06283005	PIN		pz	1
40	06224005	BOOT CALIPER		pz	1
41	06285005	PIN		pz	1
42	06225005	BOOT 2		pz	1
43	06287005	HOLDER		pz	1
44	06288005	PROTECTOR DISK BRAKE		pz	1
45	06722005	BOLT FLANGE DEEP RECESS		pz	2
46	06290005	PROTEZIONE PINZA	XEF	pz	1
47	06722005	BOLT FLANGE DEEP RECESS	XEF	pz	1
48	08542005	BOLT FLANGE DEEP RECESS	XEF	pz	1
49	02112005	STOP SWITHC (BRAKING)	XEF	pz	1
49	06314005	BOLT, UNION	XXF	pz	1
50	07543005	PROTEZIONE PINZA	XXF	pz	1
51	06722005	BOLT FLANGE DEEP RECESS	XXF	pz	2



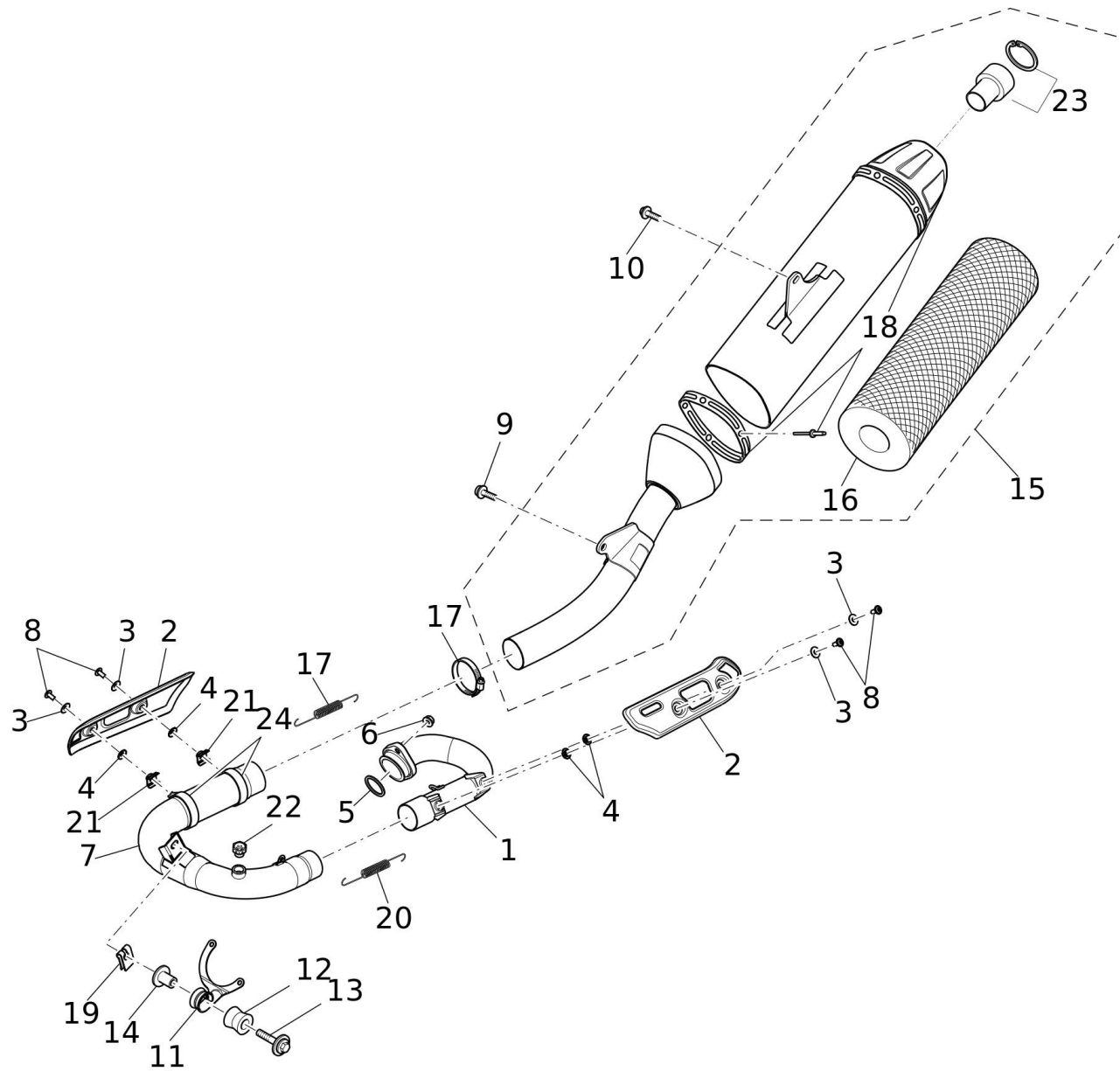
#	Code	Description	Specification	UM	Qty
1	06721005	RACCORDO 2		pz	1
2	06722005	BOLT FLANGE DEEP RECESS		pz	1
3	06723005	O-RING		pz	1
4	06724005	JOINT		pz	1
5	06725005	O-RING		pz	1
6	06726005	BOLT FLANGE DEEP RECESS		pz	1
7	06727005	RADIATORE SX		pz	1
8	06728005	RADIATORE DX	XEF	pz	1
8	08214005	RADIATOR COMP	XXF	pz	1
9	06729005	BLOWER ASSY	XEF	pz	1
10	06730005	BOLT	XEF	pz	3
11	06731005	NUT 1	XEF	pz	3
12	06732005	CAP RADIATOR		pz	1
13	06733005	DAMPER RADIATOR		pz	2
14	05713005	TUBO FLESSIBILE VINILE		pz	1
15	05714005	CLIP		pz	1
16	06734005	HOSE 1		pz	1
17	06735005	TUBO 2		pz	1
18	06736005	HOSE 3		pz	1
19	06737005	TUBO 4		pz	1
20	05722005	HOSE CLAMP ASSY		pz	3
21	05724005	HOSE CLAMP ASSY		pz	3
22	05723005	HOSE CLAMP ASSY		pz	2
23	06738005	GROMMET		pz	4
24	05726005	COLLAR		pz	4
25	06739005	BOLT WITH WASHER		pz	4



#	Code	Description	Specification	UM	Qty
1	07023005	FUEL TANK COMP.	XEF	pz	1
1	08268005	FUEL TANK COMP.	XXF	pz	1
2	04325005	STRISCIA ADESIVA NEOPRENE 5X20		cm	1
3	08269005	BOCCOLA TAPPO BENZINA	XXF	pz	1
4	07025005	BOSS	XEF	pz	2
5	07026005	BOLT, HEXAGON SOCKET HEAD	XEF	pz	2
6	07027005	CAP ASSY		pz	1
7	07028005	HOSE (L470)		pz	1
8	07029005	BRACKET FUEL TANK 1		pz	2
9	06726005	BOLT FLANGE DEEP RECESS		pz	2
10	07030005	COLLAR		pz	2
11	07031005	HOLDER		pz	1
12	06722005	BOLT FLANGE DEEP RECESS		pz	2
13	07032005	COLLAR		pz	1
14	07033005	GROMMET		pz	1
15	07034005	BOLT WITH WASHER		pz	1
16	07035020	FUEL PUMP COMP.	XEF	pz	1
16	08270005	ASSIEME POMPA BENZINA	XXF	pz	1
17	07038005	GASKET	XEF	pz	1
17	08271005	O-RING	XXF	pz	1
18	07041005	PIPE, FUEL 1	XEF	pz	1
18	08273005	PIPE, FUEL 1	XXF	pz	1
19	07042005	CLAMP 1		pz	1
20	07039005	FLANGIA POMPA BENZINA	XEF	pz	1
20	08272005	FLANGIA POMPA BENZINA	XXF	pz	1
21	07040005	BOLT HEXAGON SOCKET HEAD		pz	6
22	07044005	BOLT,HEX. SOCKET BUTTON		pz	2
23	07045005	COLLAR		pz	2
24	06186005	BRACKET SEAT		pz	1
25	07043005	SCREW COUNTERSUNK		pz	1
26	08118005	HOLDER	XEF	pz	1
27	04082005	TUBO COPOLAN UML GRIGIO 5X9 ROTOLI 200 M	XEF	cm	1
28	NC450-0151	CANISTER NC450	XEF	pz	1
29	07024005	MOLD, FUEL TANK		pz	1

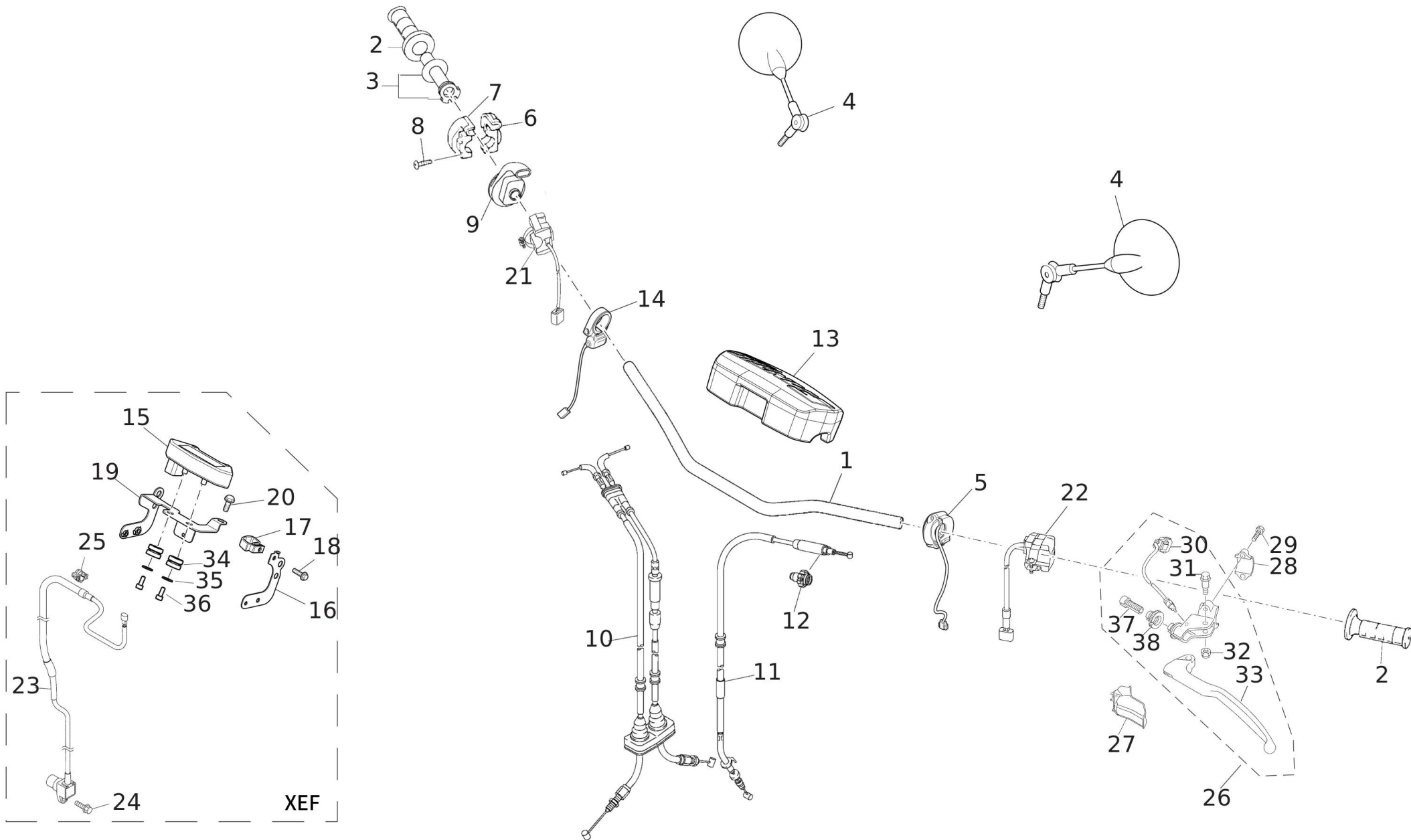
#	Code	Description	Specification	UM	Qty
1	09208005	INLET PIPE		pz	1
2	07236020	THROTTLE BODY ASSY		pz	1
2	07567005	THROTTLE BODY ASSY		pz	1
3	06752005	VITE 6X20 TCEI5 FLANGIA 10		pz	2
4	06753005	HOSE CLAMP ASSY		pz	1
5	06754005	COVER 1		pz	1
6	06755005	BOLT HEXAGON SOCKET HEAD		pz	1
7	06756005	HOSE CLAMP ASSY		pz	1
8	06757005	CASE, AIR CLEANER 1		pz	1
9	06763005	WASHER, PLATE		pz	2
10	06759020	HOLDER GUIDE	XEF	pz	1
10	08216005	HOLDER, GUIDE	XXF	pz	1
11	06758005	JOINT AIR CLEANER 1	XEF	pz	1
11	09107005	JOINT, AIR CLEANER 1	XXF	pz	1
12	07585005	MOTORE COMPLETO XXF250 4T MY22	XXF	pz	1
12	07602005	MOTORE COMPLETO XEF250 4T MY22	XEF	pz	1
14	08367005	BOLT FLANGE		pz	1
15	06785005	BOLT FLANGE DEEP RECESS		pz	2
16	06772005	COLLAR		pz	1
17	06773005	GROMMET		pz	1
18	06774005	COLLAR		pz	2
19	06775005	GROMMET		pz	2
20	06765005	ELEMENT AIR CLEANER		pz	1
21	06766005	GUIDE		pz	1
22	06767005	SENSOR, AIR TEMPERATURE		pz	1
23	06768005	VITE PER PLASTICA 5X19 INTAGLIO A CROCE		pz	1
24	09295005	HOLDER		pz	1
25	06769005	PLATE, SPRING		pz	1
26	06770020	CAP CLEANER CASE 2		pz	1
27	06760005	COLLAR		pz	2
28	06771005	GASKET		pz	1
29	05815005	SCREW PAN HEAD		pz	2
30	06762005	RIVET BLIND (3.2X13.5 BLACK)		pz	2
31	06778005	DAMPER PLATE 6		pz	2
32	08199005	CAP CLEANER CASE 1	XEF	pz	1
32	08931005	COPERCHIO CASSA FIL NERO CON FORI XXF250	XXF	pz	1
33	06779005	GASKET		pz	1
34	06780005	GASKET		pz	1
35	06781005	COLLAR		pz	1
36	06782005	VITE SGANCIO RAPIDO		pz	1

#	Code	Description	Specification	UM	Qty
37	06783005	WASHER SPECIAL 1		pz	1
38	05815005	SCREW PAN HEAD		pz	7
39	06760005	COLLAR		pz	7
40	06761005	HINGE		pz	2
41	06802005	PIPE BREATHER 3	XEF	pz	1
42	06803005	WAY 3	XEF	pz	1
43	06804005	CLIP	XEF	pz	3
44	06805005	CLIP	XEF	pz	3
45	06800005	PIPE, BREATHER 1	XEF	pz	1
46	06801005	PIPE BREATHER 2	XEF	pz	1
47	06777005	RACCORDO	XEF	pz	1
48	07415005	INTAKE FITTING XEF	XEF	pz	1
49	06764005	CHAMBER AIR	XEF	pz	1
50	06784005	DAMPER 1	XEF	pz	1
51	04859005	SCREW	XEF	pz	1
52	09300005	GASKET	XXF	pz	1
53	06790005	VITE COLLARINO 5X20 (TF10)		pz	2
54	06791005	GASKET		pz	2
55	06792005	VITE 5X11 T25 FLANGIA 9 CON RONDELLA		pz	1
56	06793005	DELIVERY PIPE ASSY 1		pz	1
57	06794005	VITE DI REGOLAZIONE		pz	1
58	06795005	STARTER		pz	1
59	06796020	INJECTOR		pz	1
60	06797005	O-RING		pz	1
61	09095005	SENSORE ACCELERATORE		pz	1
62	06799005	SENSORE PRESSIONE		pz	1
63	06787005	GOMMINO INIETTORE		pz	1
64	06788005	VITE 5X15 CROCE FLANGIA CON RONDELLA		pz	1
65	06789005	RACCORDO		pz	1



#	Code	Description	Specification	UM	Qty
1	07416005	GATHERER	XEF XEF	pz	1
1	08557005	COLLETORE PRIMARIO SCARICO XXF 250	XXF XXF	pz	1
2	07366005	BUCKLER		pz	2
3	05191005	MOLLA A TAZZA 15X5.2X0.4		pz	4
4	00340005	DISTANZIALE A T D6 X H8.5		pz	4
5	06807005	SEAL EXHAUST		pz	1
6	06808005	NUT FLANGE		pz	2
7	07417005	GATHERER	XEF XEF	pz	1
7	08558005	COLLETORE SECONDARIO SCARICO XXF 250	XXF XXF	pz	1
8	00334005	VITE 5X12 TBB UNI 7380 FLANGIATA		pz	4
9	07483005	BOLT WITH WASHER	XEF	pz	1
9	08222005	BOLT, WITH WASHER	XXF	pz	1
10	08223005	BOLT WITH WASHER		pz	1
11	06813005	STAY EXHAUST PIPE 1		pz	1
12	06814005	DAMPER MUFFLER		pz	1
13	06815005	BOLT WITH WASHER		pz	1
14	06816005	COLLAR		pz	1
15	08556005	SILENZIATORE XXF 250 4T CROSS	XXF XXF	pz	1
15	08822005	SILENZIATORE XEF 250 4T ENDURO MY22	XEF XEF	pz	1
16	08164005	SOUND ABSORBENT	XEF XEF	pz	1
16	08938005	FONOASSORBENTE SILENZIATORE XXF250	XXF XXF	pz	1
17	08488005	SPRING	XXF	pz	1
17	08742005	FASCETTA STRINGI TUBO Ø47/51mm	XEF XEF	pz	1
18	09424020	KIT FASCETTE+RIVETTI SILENZIATORE XEF	XEF XEF	pz	2
18	09425020	KIT FASCETTE+RIVETTI SILENZIATORE XXF	XXF XXF	pz	8
19	08743005	CLIP M8 SCARICO 4T		pz	1
20	08488005	SPRING		pz	1
21	08487005	LOW FOLDED CAGE		pz	2
22	07361005	CAP	Accessory XEF Accessory XEF	pz	1

#	Code	Description	Specification	UM	Qty
23	08828020	KIT DB-KILLER RACING XEF450	Accessory XEF	pz	1
24	08484005	CLAMP		pz	2

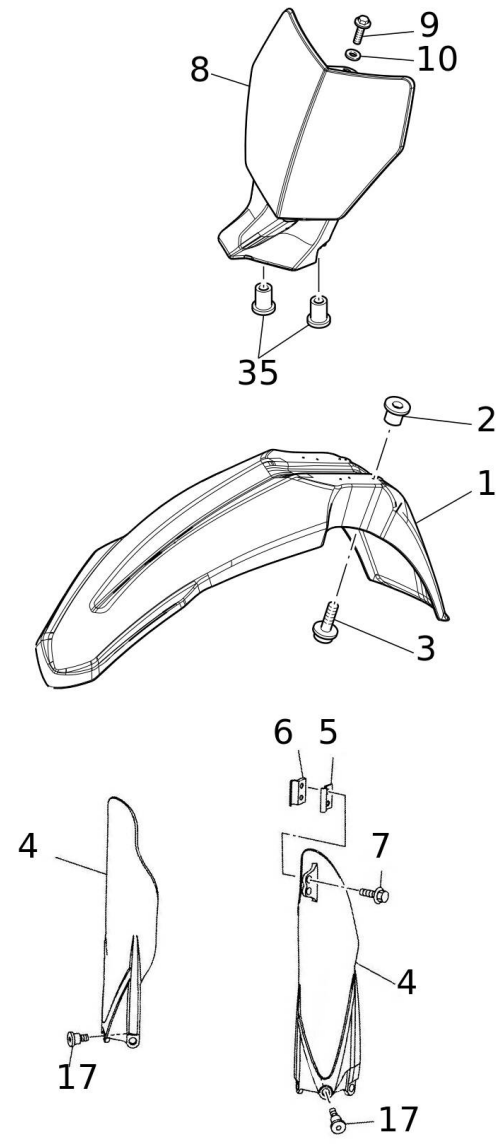
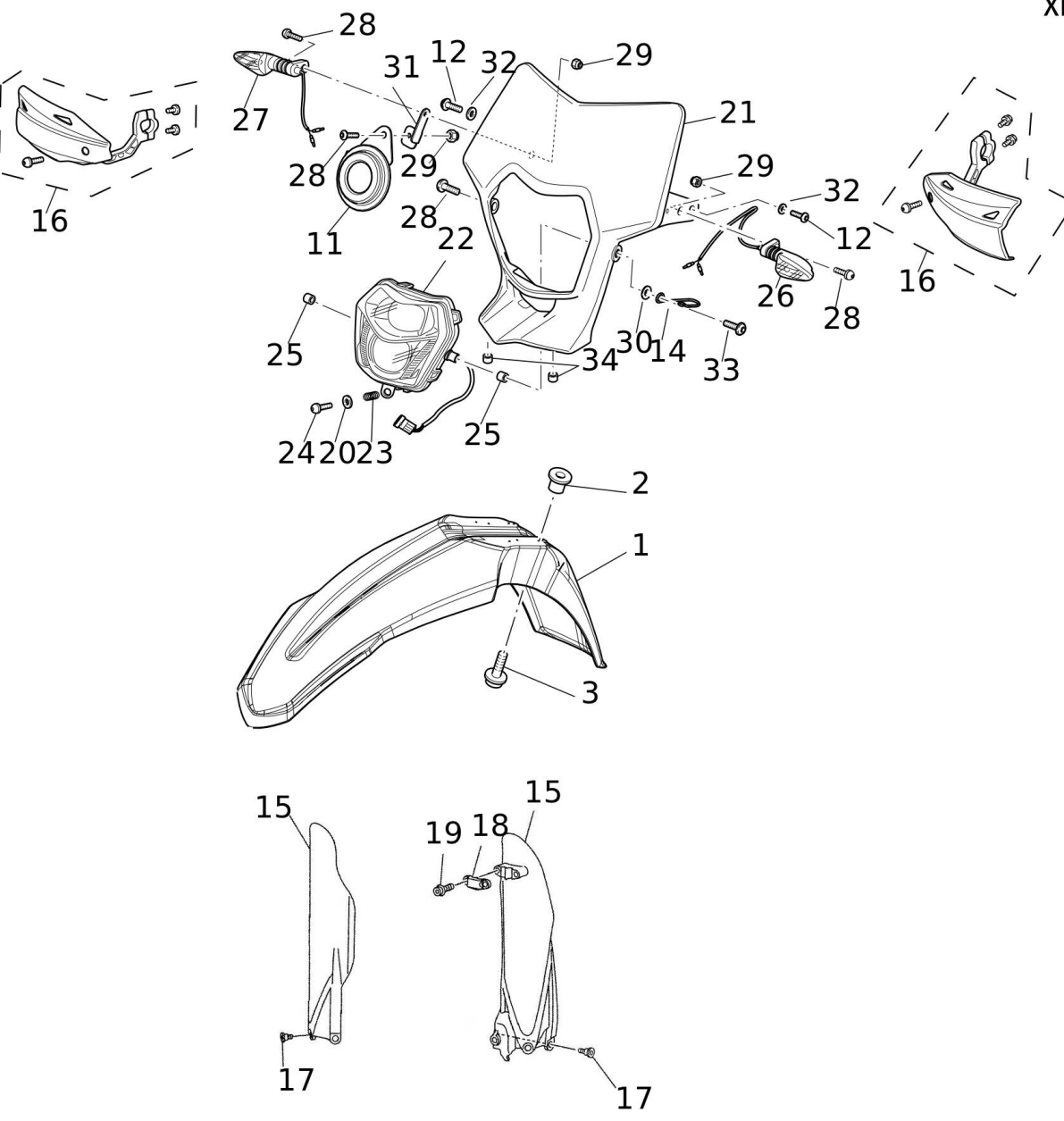


#	Code	Description	Specification	UM	Qty
1	06293005	HANDLEBAR	XXF	pz	1
1	07067005	HANDLEBAR	XEF	pz	1
2	07437005	OFF-ROAD KNOB PAIR		pz	1
3	08559020	CONTROL SET		pz	1
4	07407005	REAR-VIEW MIRROR E-141 WITH IRON CLAMP	XEF	pz	2
5	08577005	PULSANTE DOPPIA MAPPATURA OFF-ROAD	XXF XXF	pz	1
6	07070005	CAP GRIP UPPER		pz	1
7	07071005	CAP GRIP UNDER		pz	1
8	07072005	SCREW PAN HEAD		pz	2
9	07073005	COVER CAP GRIP		pz	1
10	07074005	THROTTLE CABLE ASSY		pz	1
11	08290005	WIRE, CLUTCH	XXF XXF	pz	1
11	08538005	WIRE, CLUTCH	XEF	pz	1
12	06310005	BOOT CABLE	XXF	pz	1
12	07076005	BOOT CABLE	XEF	pz	1
13	07532005	PROTECTOR, HANDLEBAR		pz	1
14	08582005	TASTO MODE XXF	XXF	pz	1
15	07731005	ODOMETER	XEF	pz	1
16	07422005	SUPPORT	XEF XEF	pz	1
17	07379005	CLAMP	XEF XEF	pz	1
18	07380005	BOLT, WITH WASHER	XEF XEF	pz	1
19	07365005	SUPPORT	XEF XEF	pz	1
20	07433005	VITE 6X10 TE FLANGIATA	XEF	pz	1
21	07424005	LIGHT SWITCH COMMAND	XEF	pz	1
21	08464005	SWITCH,HANDLE 1	XXF XXF	pz	1
22	07729005	MY21 CAB LIGHTS DEVICE	XEF	pz	1
22	08466005	SWITCH,HANDLE 1	XXF XXF	pz	1
23	08535005	SENSORE VELOCITA' XEF450	XEF	pz	1
24	05836005	BOLT FLANGE	XEF	pz	1
25	07373005	FASCETTA	XEF	pz	3
26	07595020	KIT SUPPORTO LEVA 1	XEF	pz	1
26	08499020	LEVER HOLDER ASSY, 1	XXF	pz	1

#	Code	Description	Specification	UM	Qty
27	06384005	COVER HANDLE LEVER 1	XXF	pz	1
27	07114005	COVER HANDLE LEVER 1	XEF	pz	1
28	06385005	HOLDER LEVER LOWER 1	XXF	pz	1
28	07115005	HOLDER LEVER LOWER 1	XEF	pz	1
29	05646005	BOLT	XEF	pz	2
29	06726005	BOLT FLANGE DEEP RECESS	XXF	pz	2
30	07113005	SWITCH	XEF	pz	1
31	06379005	BOLT		pz	1
32	06380005	NUT LENS FITTING		pz	1
33	07110005	LEVER 1	XEF	pz	1
33	08295005	LEVER 1	XXF	pz	1
34	08583005	KOSO CUSHION RUBBER	XEF	pz	2
35	00060005	RONDELLA ZINCATA M8 UNI 6592	XEF	pz	2
36	00496005	SCREW M4x1.25x18	XEF	pz	2
37	06381005	VITE DI REGOLAZIONE	XXF	pz	1
37	07111005	BOLT ADJUSTING	XEF	pz	1
38	07112005	BOLT CABLE ADJUSTING	XEF	pz	1

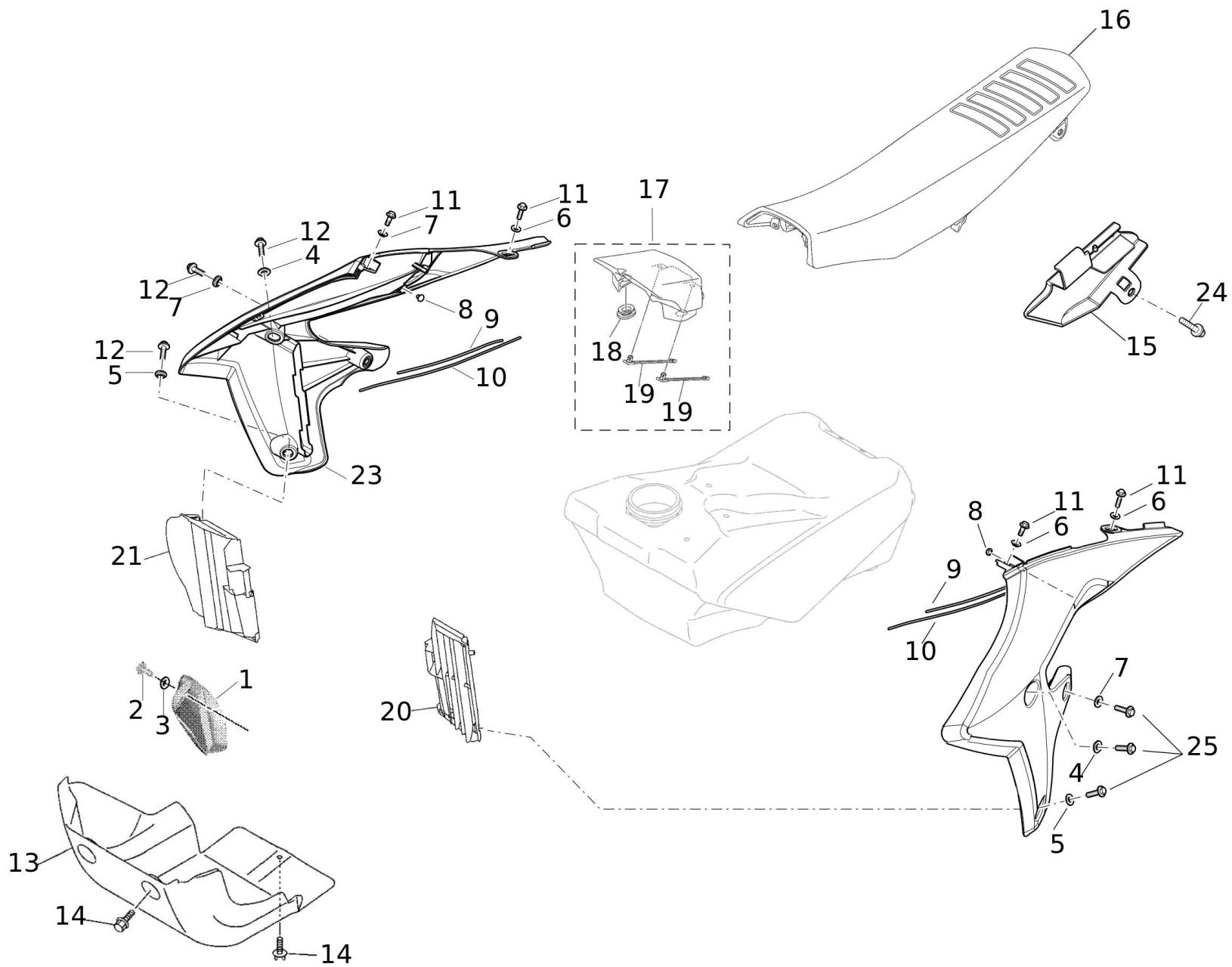
XEF

XXF

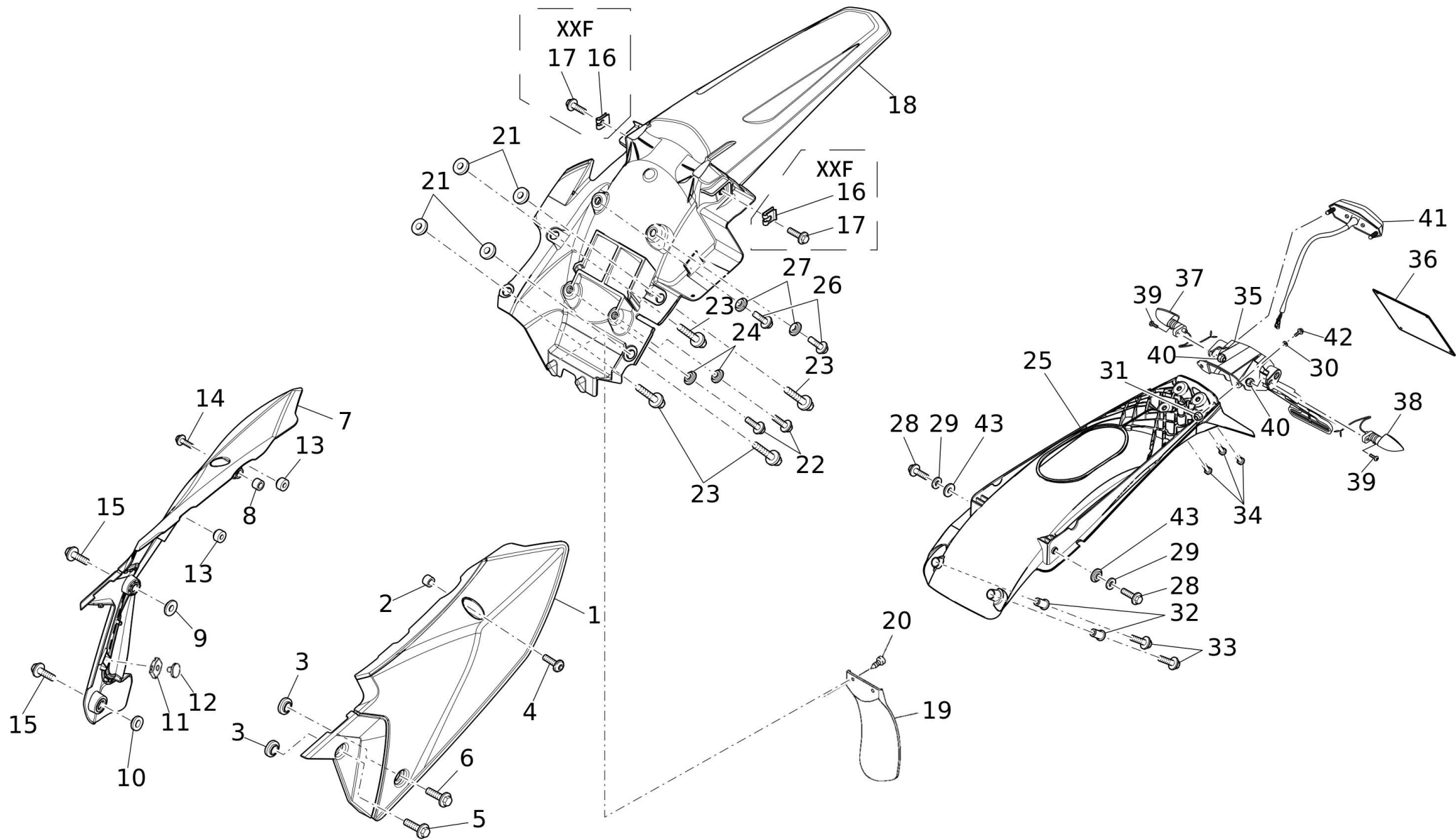


#	Code	Description	Specification	UM	Qty
1	07500005	FRONT FENDER OFF-ROAD WHITE		pz	1
2	08641005	COLLAR		pz	4
3	06958005	BOLT WITH WASHER		pz	4
4	07662005	FORK SLIDER PROTECTORS (PAIR)	XXF	pz	1
5	06162005	CLAMP	XXF	pz	1
6	06163005	CLAMP	XXF	pz	1
7	05758005	BOLT FLANGE	XXF	pz	2
8	07503005	FRONT PLATE NUMBER OFF-ROAD	XXF	pz	1
9	06564005	BOLT FLANGE	XXF	pz	1
10	04686005	RONDELLA M6 CON COLLARINO H3	XXF	pz	1
11	00898005	SWINGARM USD BEEPER	XEF	pz	1
12	07478005	SCREW	XEF	pz	2
13	07479005	VITE M5X10 TBEI ISO7380-2 ZINCATA 10.9	XEF	pz	1
14	08401005	FAIRLEAD	XEF XEF	pz	1
15	07364005	KIT FORK GUARD XEF	XEF XEF	pz	1
16	02163005	HANDGUARD (WHITE) WITHOUT STICKER	XEF	pz	1
17	06161005	BOLT		pz	6
18	07374005	CLAMP	XEF XEF	pz	1
19	07019005	BOLT HEXAGON SOCKET HEAD	XEF XEF	pz	2
20	00807005	WASHER 6X12	XEF	pz	1
21	07501005	HEADLIGHT FAIRING XE/XEF	XEF	pz	1
22	05466005	LED HEADLIGHT XE/XEF	XEF	pz	1
23	07467005	SPRING	XEF	pz	1
24	00049005	SCREW-SOCKET CONVEX HEAD 6X40	XEF	pz	1
25	07694005	BUSHING	XEF	pz	2
26	05120005	DIRECTION INDICATOR FRONT RH / REAR LH	XEF XEF	pz	1
27	05121005	DIRECTION INDICATOR FRONT LH / REAR RH	XEF XEF	pz	1
28	00042005	VITE 5X16 TBB UNI 7380 FLANGIATA	XEF	pz	2
29	00267005	DADO M5 AUTOBLOCC. BASSO	XEF	pz	3
30	00340005	DISTANZIALE A T D6 X H8.5	XEF	pz	1
31	08124005	HOLDER	XEF XEF	pz	1
32	00340005	DISTANZIALE A T D6 X H8.5	XEF	pz	2
33	02540005	VITE 6X16 TBFL UNI 7380 FLANGIATA	XEF	pz	2

#	Code	Description	Specification	UM	Qty
34	07371005	GROMMET	XEF XEF	pz	2
35	08717005	GOMMINO MASCHERINA XXF	XXF	pz	2

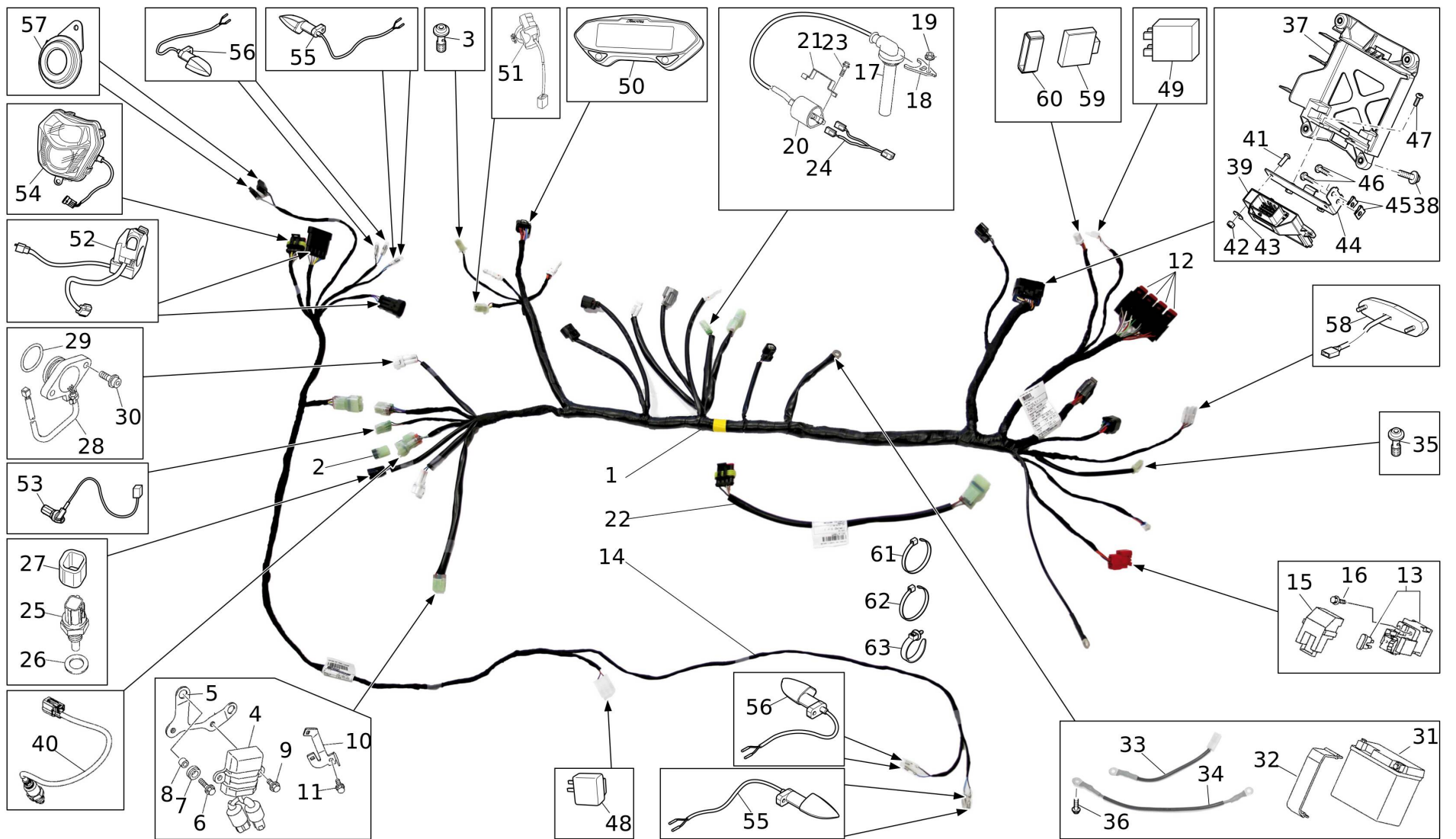


#	Code	Description	Specification	UM	Qty
1	08251005	PROTECTOR, ENGINE	XXF	pz	1
2	05758005	BOLT FLANGE		pz	1
3	08252005	COLLAR	XXF	pz	1
4	06971005	COLLAR		pz	2
5	06559005	COLLAR		pz	2
6	06972005	COLLAR		pz	2
7	06781005	COLLAR		pz	4
8	06973005	GROMMET		pz	2
9	06974005	GASKET		pz	2
10	06975005	GASKET		pz	2
11	06564005	BOLT FLANGE		pz	4
12	06977005	BOLT WITH WASHER		pz	3
13	07375005	GUARD ENGINE 1		pz	1
14	06945005	BOLT WITH WASHER		pz	3
15	07370005	COVER		pz	1
16	08143005	SADDLE		pz	1
17	08511020	COVER TAPPO BENZINA CPL XEF		pz	1
18	07046005	GROMMET		pz	2
19	07047005	BAND SEAT		pz	2
20	07561005	RIPARO RADIATORE1 NERO		pz	1
21	07562005	RIPARO RADIATORE2 NERO		pz	1
22	07505005	SIDE FAIRING		pz	1
23	07506005	SIDE FAIRING		pz	1
24	06951005	RIVET BLIND		pz	1
25	06977005	BOLT WITH WASHER		pz	3



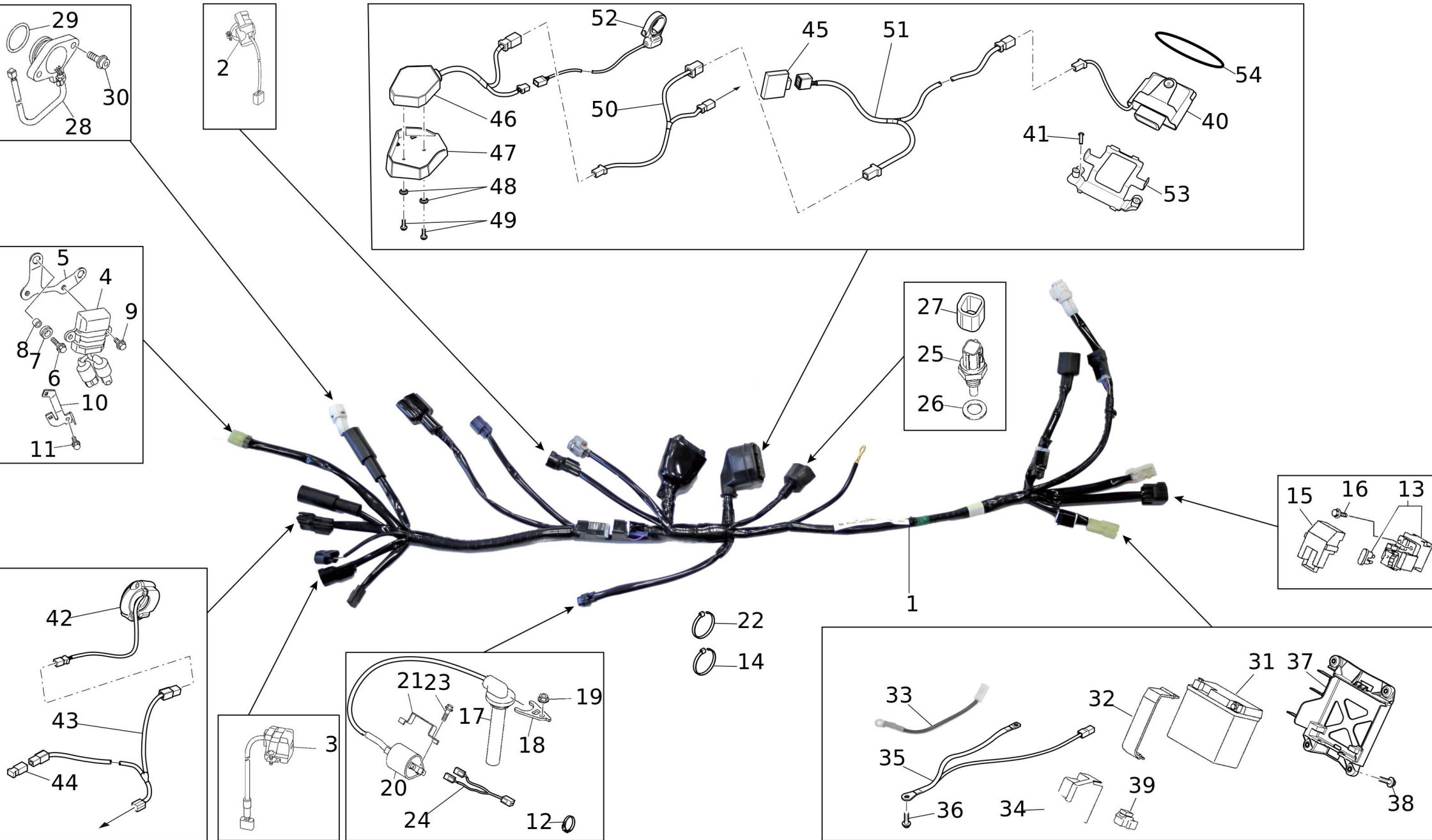
#	Code	Description	Specification	UM	Qty
1	07507005	SIDE FAIRING		pz	1
2	06964005	COLLAR		pz	1
3	06563005	COLLAR		pz	2
4	06932005	BOLT FLANGE		pz	1
5	06966005	BOLT WITH WASHER		pz	1
6	06967005	BOLT WITH WASHER		pz	1
7	07508005	SIDE FAIRING		pz	1
8	06964005	COLLAR		pz	1
9	06559005	COLLAR		pz	1
10	06563005	COLLAR		pz	1
11	06968005	GROMMET		pz	1
12	06969005	DAMPER		pz	1
13	06970005	GROMMET		pz	2
14	06932005	BOLT FLANGE		pz	1
15	06967005	BOLT WITH WASHER		pz	2
16	06568005	NUT REAR FENDER	XXF	pz	2
17	06961005	BOLT FLANGE	XXF	pz	2
18	07509005	MUDGUARD	XEF	pz	1
18	08117005	PARAFANGO POSTERIORE XXF	XXF	pz	1
19	06962005	GUARD FLAP		pz	1
20	06600005	SCREW TAPPING		pz	2
21	06559005	COLLAR		pz	4
22	07942005	BOLT WITH WASHER	XXF	pz	2
23	06958005	BOLT WITH WASHER		pz	4
24	07476005	BUSHING		pz	2
25	07368005	LICENSE PLATE	XEF	pz	1
26	07942005	BOLT WITH WASHER	XXF XXF	pz	2
27	07476005	BUSHING	XXF	pz	2
28	08403005	SCREW	XEF	pz	2
29	00058005	RONDELLA 6X18X1,5 FASCIA LARGA UNI 6593	XEF	pz	2
30	00056005	WASHER 5X10	XEF	pz	3
31	00267005	DADO M5 AUTOBLOCC. BASSO	XEF	pz	3
32	08149005	SPACER	XEF	pz	2
33	07493005	SCREW	XEF	pz	2
34	07458005	SCREW	XEF	pz	3
35	07388005	LICENSE PLATE HOMOLOGATED HOLDER XE/XEF	XEF	pz	1
36	07474005	PLATE	XEF	pz	1
37	05121005	DIRECTION INDICATOR FRONT LH / REAR RH	XEF XEF	pz	1

#	Code	Description	Specification	UM	Qty
38	05120005	DIRECTION INDICATOR FRONT RH / REAR LH	XEF XEF	pz	1
39	00042005	VITE 5X16 TBB UNI 7380 FLANGIATA	XEF	pz	2
40	00267005	DADO M5 AUTOBLOCC. BASSO	XEF	pz	2
41	05113005	TAILLIGHT WITH LED LICENSE PLATE LIGHT	XEF	pz	1
42	00042005	VITE 5X16 TBB UNI 7380 FLANGIATA	XEF	pz	3
43	08150005	SPACER	XEF	pz	2



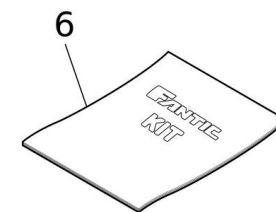
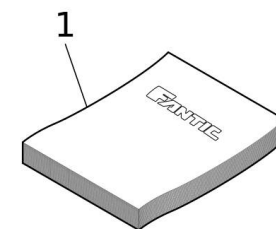
#	Code	Description	Specification	UM	Qty
1	07591005	CABLAGGIO PRINCIPALE XEF MY22	XEF	pz	1
2	07492005	CAP	XEF	pz	1
3	03259005	STOP SWITCH	XEF	pz	1
4	07128005	RECTIFIER REGULETOR ASSY	XEF	pz	1
5	07129005	BRACKET REGULATOR	XEF	pz	1
6	07130005	VITE 6X20 TE8 FLANGIA 13.5	XEF	pz	2
7	07131005	GROMMET	XEF	pz	2
8	07132005	COLLAR	XEF	pz	2
9	06564005	BOLT FLANGE	XEF	pz	2
10	07134005	HOLDER, GUIDE	XEF	pz	1
11	06289005	BOLT FLANGE	XEF	pz	1
12	05457005	RELAY	XEF	pz	4
13	07376020	STARTER RELAY ASSY (RC19-102B)	XEF	pz	1
14	08147005	CABLE	XEF	pz	1
15	07378005	COVER RELAY AVVIAMENTO	XEF	pz	1
16	08516005	VITE TCEI M6X8 FL	XEF	pz	2
17	07116005	PIPETTA CANDELA	XXF XEF	pz	1
18	07117005	FERMO PIPPETTA	XEF	pz	1
19	06625005	NUT FLANGE	XEF	pz	1
20	07124005	IGNITION COIL ASSY	XXF XEF	pz	1
21	07125005	CORE SIDE	XEF	pz	1
22	07486005	ADAPTER	XEF	pz	1
23	06749005	BOLT FLANGE DEEP RECESS	XEF	pz	2
24	08504005	CABLE	XEF	pz	1
25	07119005	THERMO UNIT	XEF	pz	1
26	07120005	GASKET	XEF	pz	1
27	08513005	HOLDER LEVER UNDER	XEF	pz	1
28	07121005	NEUTRAL SWITCH ASSY	XEF	pz	1
29	07122005	O-RING	XEF	pz	1
30	07123005	VITE 5X14 TCEI4 FLANGIA 10.7	XEF	pz	2
31	00798005	MAINTENANCE-FREE 3 AH BATTERY	XEF	pz	1
32	08405005	ELASTICO BATTERIA	XEF	pz	1
33	08502005	CABLE	XEF	pz	1
34	08503005	CABLE	XEF	pz	1
35	02112005	STOP SWITHC (BRAKING)	XEF	pz	1
36	06617005	BOLT FLANGE DEEP RECESS	XEF	pz	1
37	07421005	BOX	XEF	pz	1
38	07942005	BOLT WITH WASHER	XXF XEF	pz	2

#	Code	Description	Specification	UM	Qty
39	V0154020	ECU XEF250 MY22 E5	XEF	pz	1
40	05213005	LAMBDA SENSOR E4 FC250-450/TL250	XEF	pz	1
41	00042005	VITE 5X16 TBB UNI 7380 FLANGIATA	XEF	pz	2
42	00267005	DADO M5 AUTOBLOCC. BASSO	XEF	pz	2
43	00057005	RONDELLA 5X15 DIN9021	XEF	pz	2
44	07419005	SUPPORT	XEF	pz	1
45	01891005	GRAFFETTA METALLICA DIA5 12X15	XEF	pz	2
46	00334005	VITE 5X12 TBB UNI 7380 FLANGIATA	XEF	pz	2
47	07479005	VITE M5X10 TBEI ISO7380-2 ZINCATA 10.9	XEF	pz	2
48	01199005	FLASHER RELAY (TURN SIGNAL RELAY) 10W	XEF	pz	1
49	07477005	XEF RESERVE INTERFACE BOARD	XEF	pz	1
50	07731005	ODOMETER	XEF	pz	1
51	07424005	LIGHT SWITCH COMMAND	XEF	pz	1
52	07729005	MY21 CAB LIGHTS DEVICE	XEF	pz	1
53	08535005	SENSORE VELOCITA' XEF450	XEF	pz	1
54	05466005	LED HEADLIGHT XE/XEF	XEF	pz	1
55	05120005	DIRECTION INDICATOR FRONT RH / REAR LH	XEF XEF	pz	2
56	05121005	DIRECTION INDICATOR FRONT LH / REAR RH	XEF XEF	pz	2
57	00898005	SWINGARM USD BEEPER	XEF	pz	1
58	05113005	TAILLIGHT WITH LED LICENSE PLATE LIGHT	XEF	pz	1
59	07418005	WI-FI COM	XXF XEF	pz	1
60	07423005	RING	XEF	pz	1
61	06389005	FASCETTA 125X7	XEF	pz	2
62	07138005	CLAMP	XEF	pz	2
63	07137005	FASCETTA	XEF	pz	1

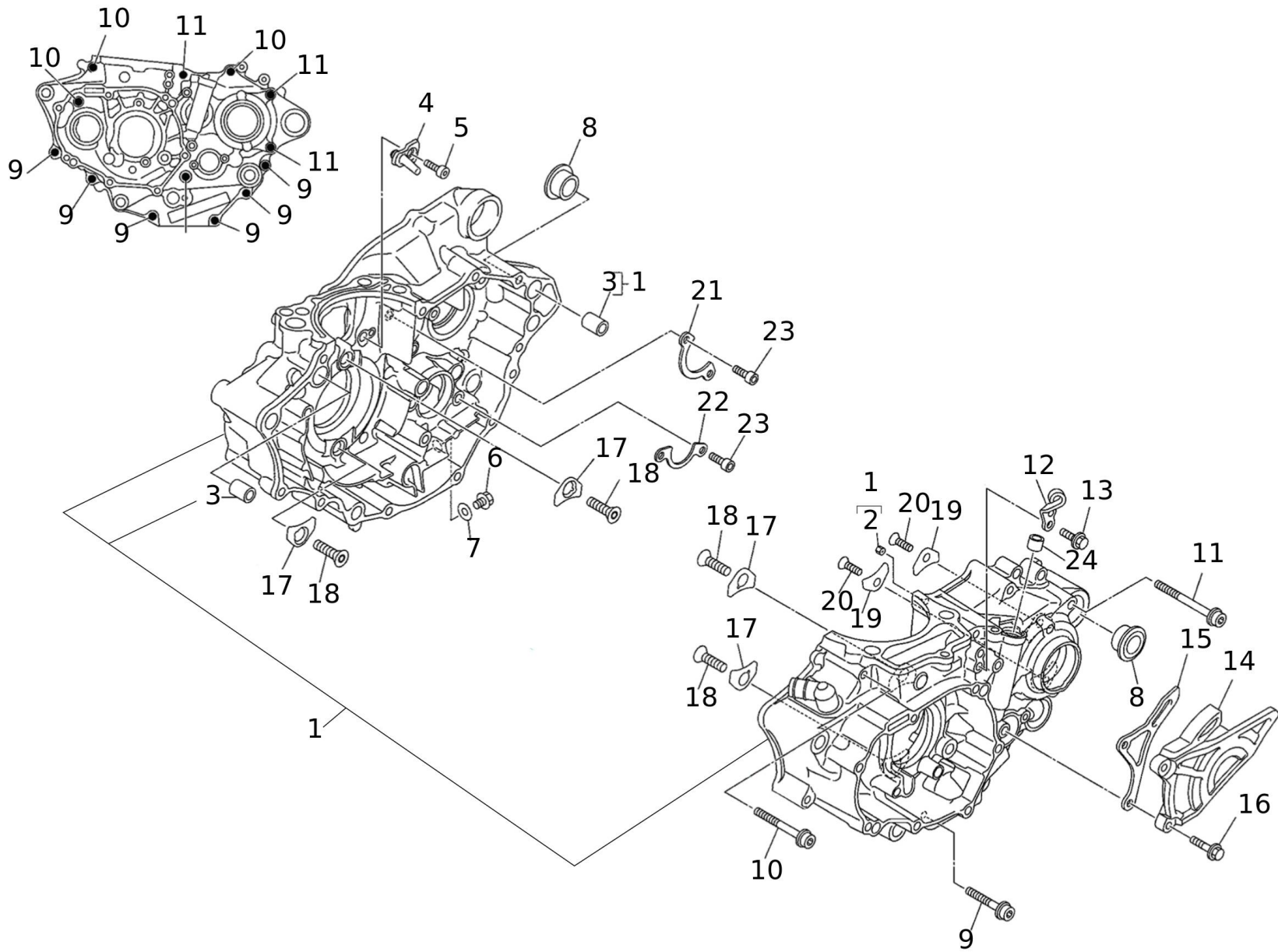


#	Code	Description	Specification	UM	Qty
1	07587005	CABLAGGIO XXF250 MY22	XXF	pz	1
2	08464005	SWITCH,HANDLE 1	XXF	pz	1
3	08466005	SWITCH,HANDLE 1	XXF	pz	1
4	07128005	RECTIFIER REGULETOR ASSY		pz	1
5	07129005	BRACKET REGULATOR		pz	1
6	07130005	VITE 6X20 TE8 FLANGIA 13.5		pz	2
7	07131005	GROMMET		pz	2
8	07132005	COLLAR		pz	2
9	06564005	BOLT FLANGE		pz	2
10	07134005	HOLDER, GUIDE		pz	1
11	06289005	BOLT FLANGE		pz	1
12	07140005	BAND	XXF	pz	1
13	07376020	STARTER RELAY ASSY (RC19-102B)		pz	1
14	06389005	FASCETTA 125X7		pz	2
15	07378005	COVER RELAY AVVIAMENTO		pz	1
16	08516005	VITE TCEI M6X8 FL		pz	2
17	07116005	PIPETTA CANDELA	XXF	pz	1
18	07117005	FERMO PIPPETTA		pz	1
19	06625005	NUT FLANGE		pz	1
20	07124005	IGNITION COIL ASSY	XXF	pz	1
21	07125005	CORE SIDE		pz	1
22	06388005	FASCETTA		pz	2
23	06749005	BOLT FLANGE DEEP RECESS		pz	2
24	08477005	WIRE,SUB LEAD	XXF	pz	1
25	07119005	THERMO UNIT		pz	1
26	07120005	GASKET		pz	1
27	08513005	HOLDER LEVER UNDER		pz	1
28	07121005	NEUTRAL SWITCH ASSY		pz	1
29	07122005	O-RING		pz	1
30	07123005	VITE 5X14 TCEI4 FLANGIA 10.7		pz	2
31	08568005	BATTERIA AL LITIO 12V		pz	1
32	08405005	ELASTICO BATTERIA		pz	1
33	08502005	CABLE		pz	1
34	07557005	COVER 1	XXF	pz	1
35	08574005	CAVO NEGATIVO BATERIA XXF	XXF	pz	1
36	06617005	BOLT FLANGE DEEP RECESS		pz	1
37	07421005	BOX		pz	1
38	07942005	BOLT WITH WASHER	XXF	pz	4
39	08482005	RELAY ASSY(1ST-00)	XXF	pz	1
40	V0155020	ECU XXF250 MY22		pz	1

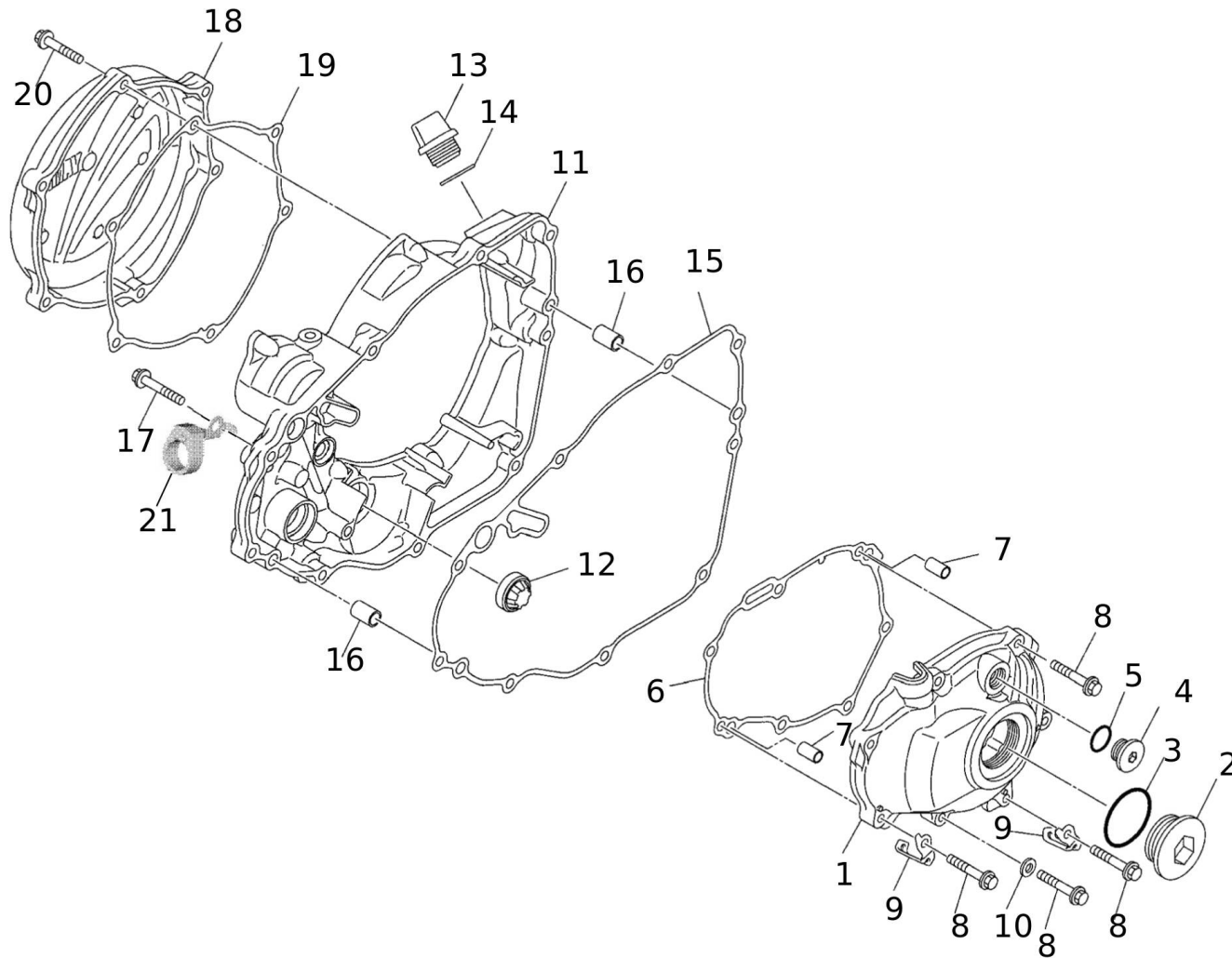
#	Code	Description	Specification	UM	Qty
41	08296005	BOLT, WITH WASHER	XXF	pz	2
42	08577005	PULSANTE DOPPIA MAPPATURA OFF-ROAD	XXF	pz	1
43	08578005	BRIGLIA MAP SWITCH-2° INJ	XXF	pz	1
44	07549005	CONNETTORE	XXF	pz	1
45	07418005	WI-FI COM	XXF	pz	1
46	08580005	LAUNCH CONTROL GPA XXF		pz	1
47	08581005	SUPPORTO LC-GPA		pz	1
48	08609005	BOCCOLA A T D10-d5.5-h4.8		pz	2
49	00042005	VITE 5X16 TBB UNI 7380 FLANGIATA		pz	2
50	08575005	INTERFACCIA LAUNCH CONTROL-GPA XXF	XXF	pz	1
51	08404005	BRIGLIA WIFI-COM XXF	XXF	pz	1
52	08582005	TASTO MODE XXF		pz	1
53	07570005	STAFFA CENTRALINA RX1-PRO	XXF	pz	1
54	07571005	ELASTICO CENTRALINA RX1-PRO	XXF	pz	1



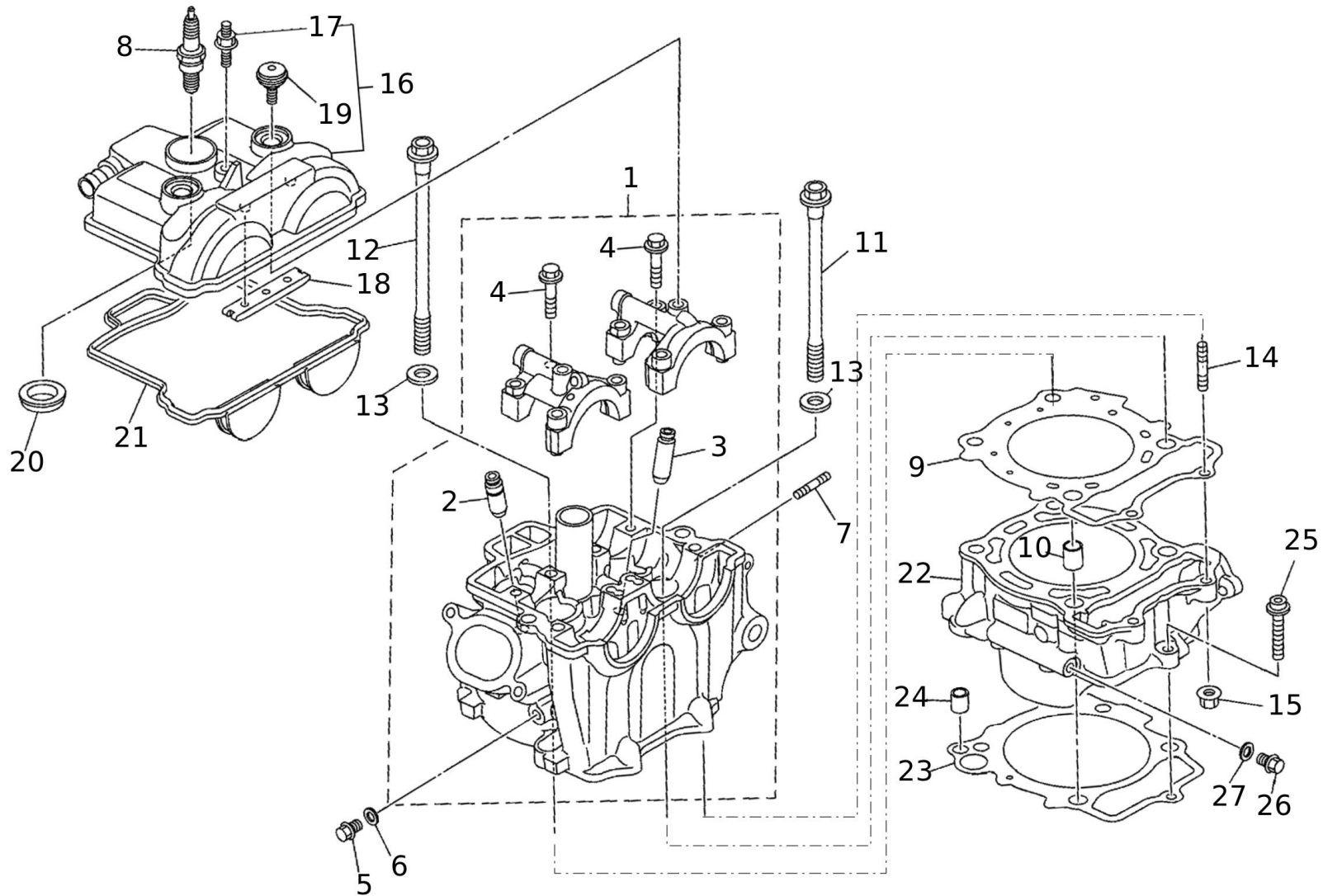
#	Code	Description	Specification	UM	Qty
1	08695005	MANUALE D'USO GAMMA OFF-ROAD 4T		pz	1
2	07592005	KIT ADESIVI ENDURO 4T MY22	XEF	pz	1
2	07593005	KIT ADESIVI CROSS 4T MY22	XXF	pz	1
3	04311005	AMBER CURVED PERFORMANCE REFLECTOR	XEF	pz	2
4	03990005	RED RECTANGULAR REFLECTOR	XEF	pz	1
5	08160005	ADHESIVE		pz	1
6	07482005	MANUAL KIT RACING XEF		pz	1
7	07525005	STICKER BARDAHL ENGINE CRANKCASE		pz	1



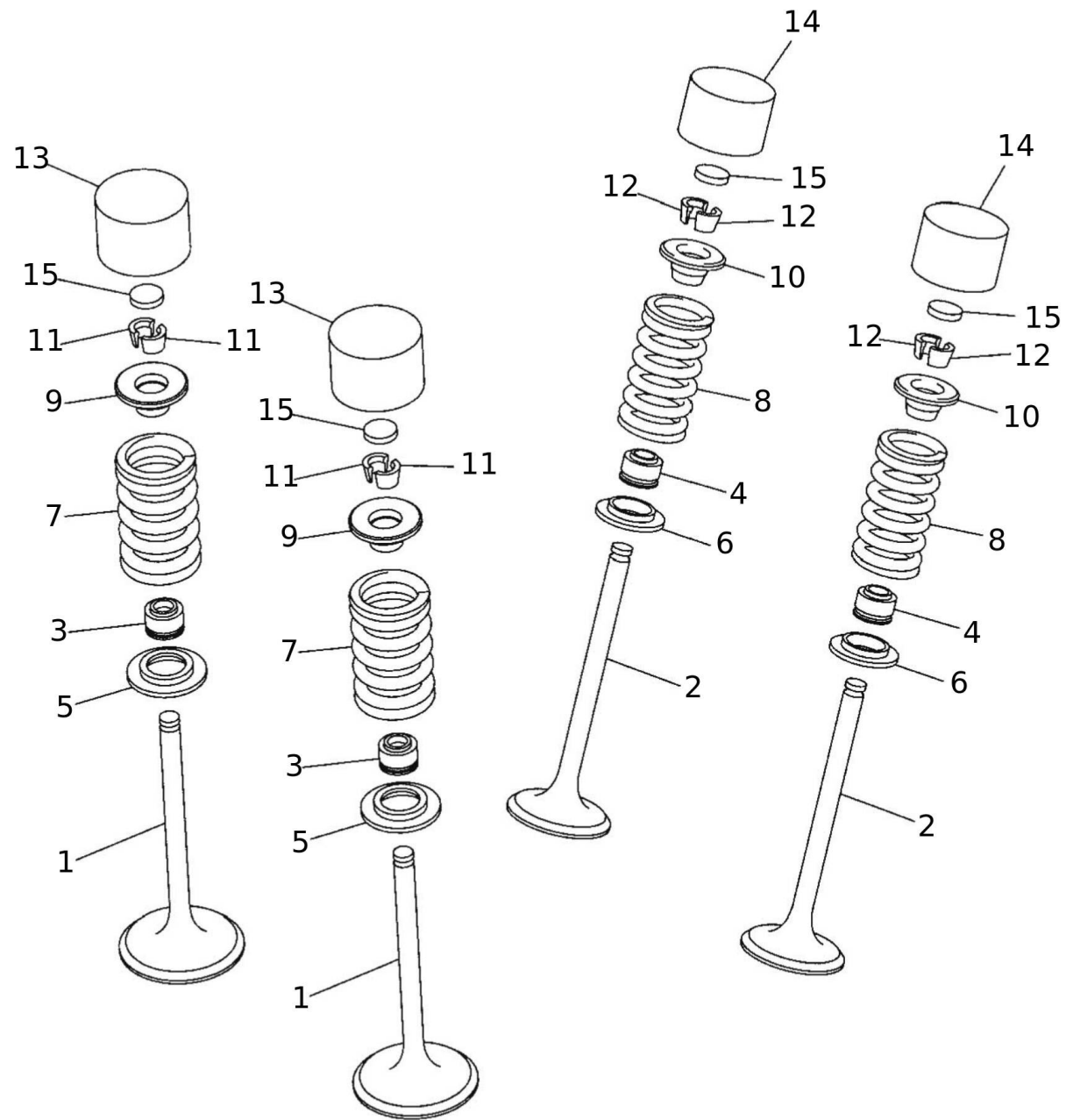
#	Code	Description	Specification	UM	Qty
1	06817020	CRANKCASE ASSY	XEF	pz	1
1	08224005	CRANKCASE ASSY	XXF	pz	1
2	06818005	NOZZLE 1		pz	1
3	06819005	PIN, DOWEL		pz	2
4	06820005	NOZZLE 3		pz	1
5	06821005	BOLT, HEXAGON SOCKET HEAD		pz	1
6	06822005	BOLT, FLANGE DEEP RECESS		pz	1
7	05856005	GASKET		pz	1
8	06823005	COLLAR		pz	2
9	06824005	BOLT, HEXAGON SOCKET HEAD		pz	7
10	06825005	BOLT, HEXAGON SOCKET HEAD		pz	3
11	06826005	BOLT, HEXAGON SOCKET HEAD		pz	3
12	06827005	HOLDER, CLUTCH CABLE		pz	1
13	06569005	BOLT FLANGE		pz	2
14	06829005	PROTEZIONE PIGNONE		pz	1
15	06830005	GUIDA CATENA		pz	1
16	06831005	BOLT FLANGE		pz	2
17	06832005	PLATE, BEARING COVER		pz	4
18	06833005	SCREW COUNTERSUNK		pz	4
19	05932005	PLATE, BEARING COVER		pz	2
20	06834005	SCREW COUNTERSUNK		pz	2
21	06835005	PLATE, BEARING COVER		pz	1
22	06836005	PLATE STOPPER 2		pz	1
23	06837005	BOLT, HEXAGON SOCKET HEAD		pz	4
24	06838005	BEARING		pz	1



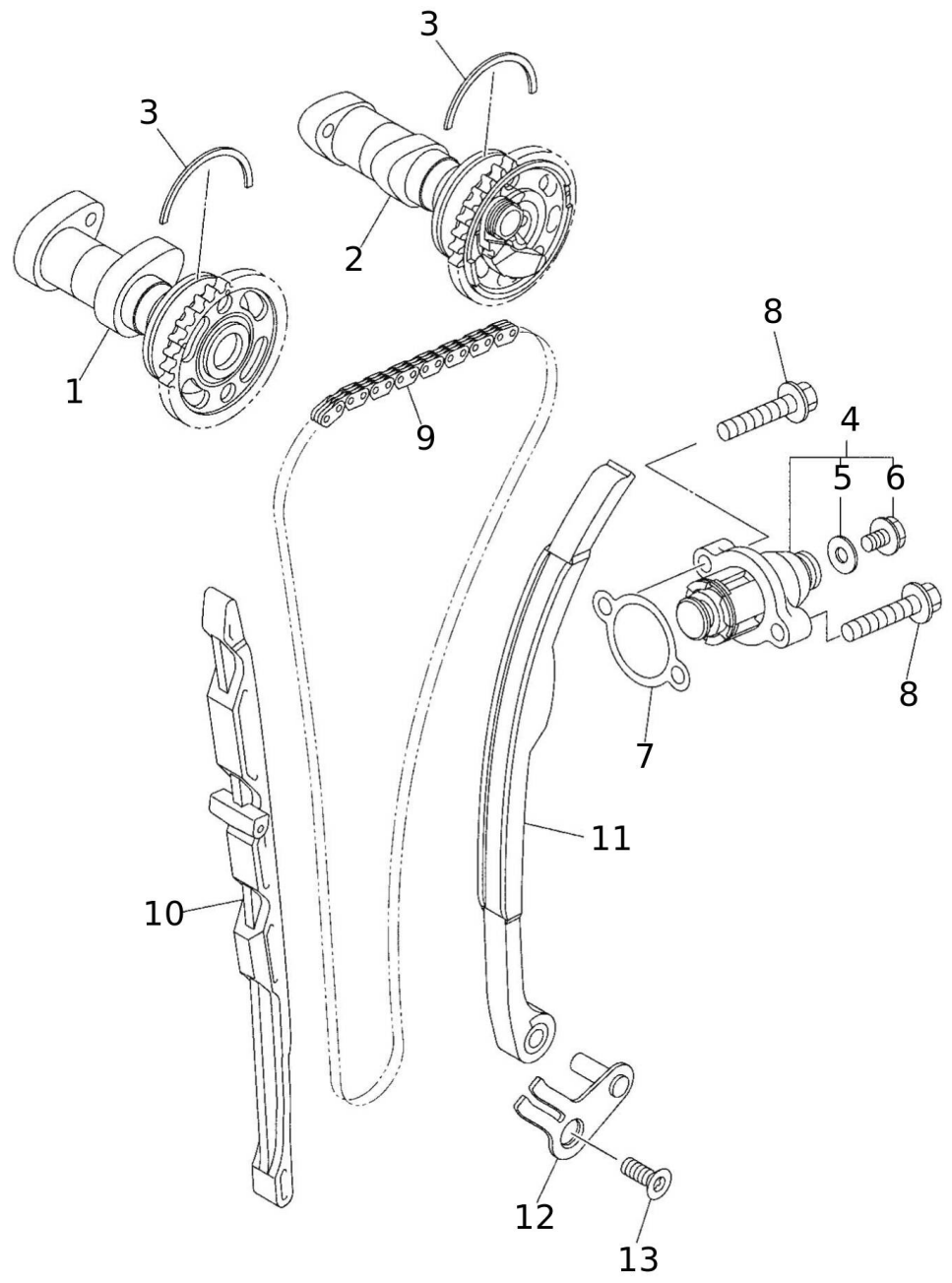
#	Code	Description	Specification	UM	Qty
1	06839005	COVER, CRANKCASE 1		pz	1
2	07054005	PLUG, STRAIGHT SCREW		pz	1
3	06840005	O-RING		pz	1
4	07055005	PLUG, STRAIGHT SCREW		pz	1
5	06841005	O-RING		pz	1
6	06842005	GASKET CRANKCASE COVER 1		pz	1
7	05875005	PIN DOWEL		pz	2
8	06708005	BOLT FLANGE DEEP RECESS		pz	7
9	06843005	GUIDE, CABLE		pz	2
10	05705005	GASKET		pz	2
11	06844005	COVER, CRANKCASE 3		pz	1
12	06845005	GAUGE LEVEL		pz	1
13	03957005	TAPPO ISP. OLIO 250 4T		pz	1
14	05877005	O-RING	XEF	pz	1
15	06848005	GASKET CRANKCASE COVER 3		pz	1
15	09370001	GASKET CRANKCASE COVER 3	XXF	pz	1
16	05875005	PIN DOWEL		pz	2
17	06708005	BOLT FLANGE DEEP RECESS		pz	9
18	08155005	COVER 1		pz	1
19	06849005	GASKET CRANKCASE COVER		pz	1
20	06708005	BOLT FLANGE DEEP RECESS	XXF	pz	6
21	08228005	HOLDER		pz	1



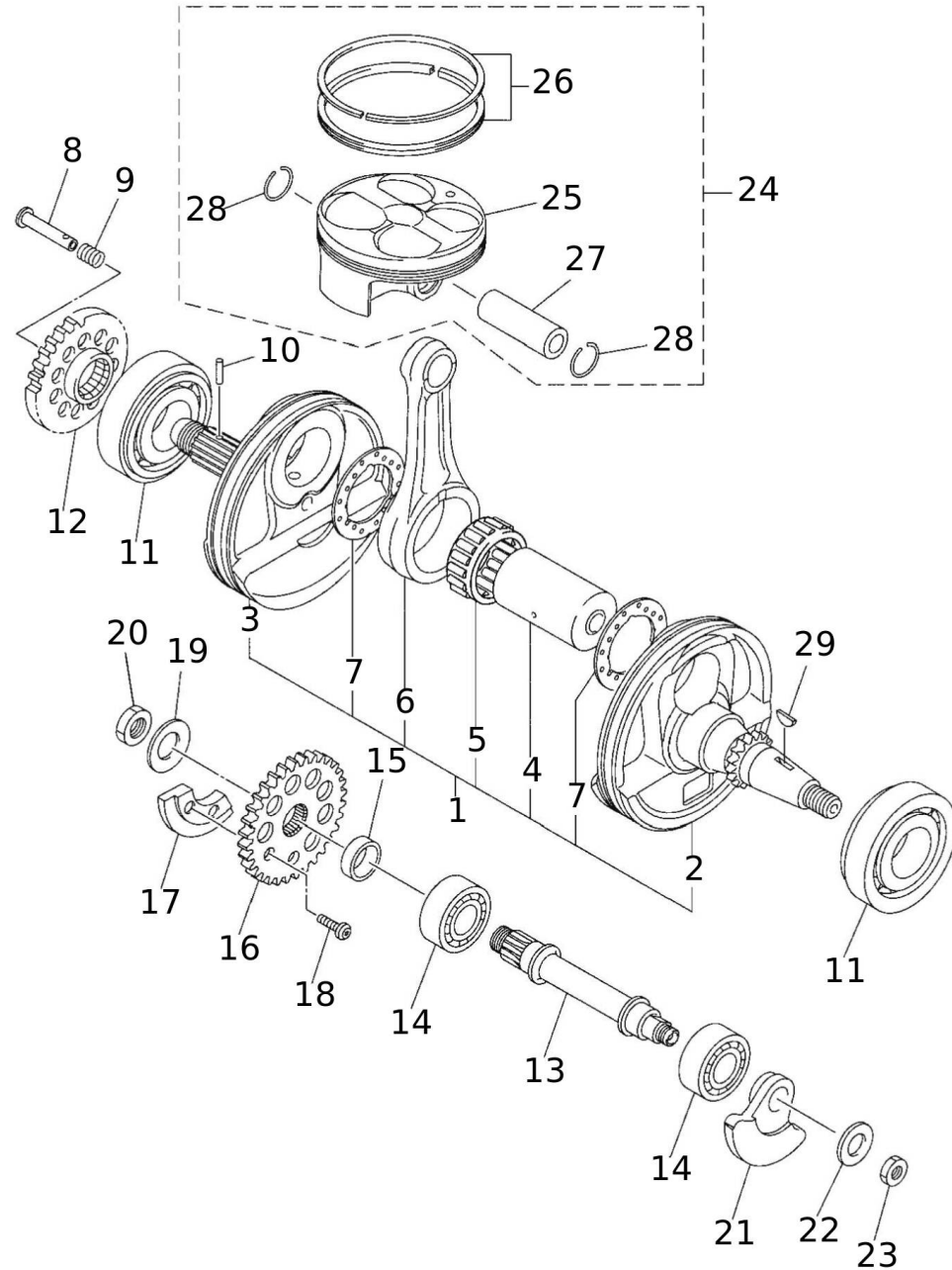
#	Code	Description	Specification	UM	Qty
1	09371001	CYLINDER HEAD ASSY		pz	1
2	09372001	GUIDA VALVOLA 2		pz	2
3	06615005	GUIDA VALVOLA 1		pz	2
4	06616005	BOLT, WITH WASHER		pz	8
5	06617005	BOLT FLANGE DEEP RECESS		pz	1
6	05705005	GASKET		pz	1
7	06618005	BOLT STUD		pz	2
8	06619005	PLUG SPARK (NGK LMAR8E-J)	XEF	pz	1
8	08207005	PLUG, SPARK (NGKLMAR9E-J)	XXF	pz	1
9	06620005	GASKET CYLINDER HEAD 1		pz	1
10	03963005	PIN		pz	2
11	03961005	SCREW		pz	3
12	03962005	SCREW		pz	1
13	06624005	WASHER, PLATE		pz	4
14	06618005	BOLT STUD		pz	2
15	06625005	NUT FLANGE		pz	2
16	08156005	COVER CYLINDER HEAD 1		pz	1
17	06626005	BOLT STUD		pz	1
18	06627005	GUIDA TAMPONE 2		pz	1
19	03960005	SCREW		pz	2
20	06629005	GASKET HEAD COVER 2		pz	1
21	06630005	GASKET HEAD COVER 1		pz	1
22	06631005	CYLINDER 1		pz	1
23	06632005	GASKET CYLINDER		pz	1
24	05854005	PIN, DOWEL		pz	2
25	06633005	BOLT, HEXAGON SOCKET HEAD		pz	1
26	06617005	BOLT FLANGE DEEP RECESS		pz	1
27	05705005	GASKET		pz	1



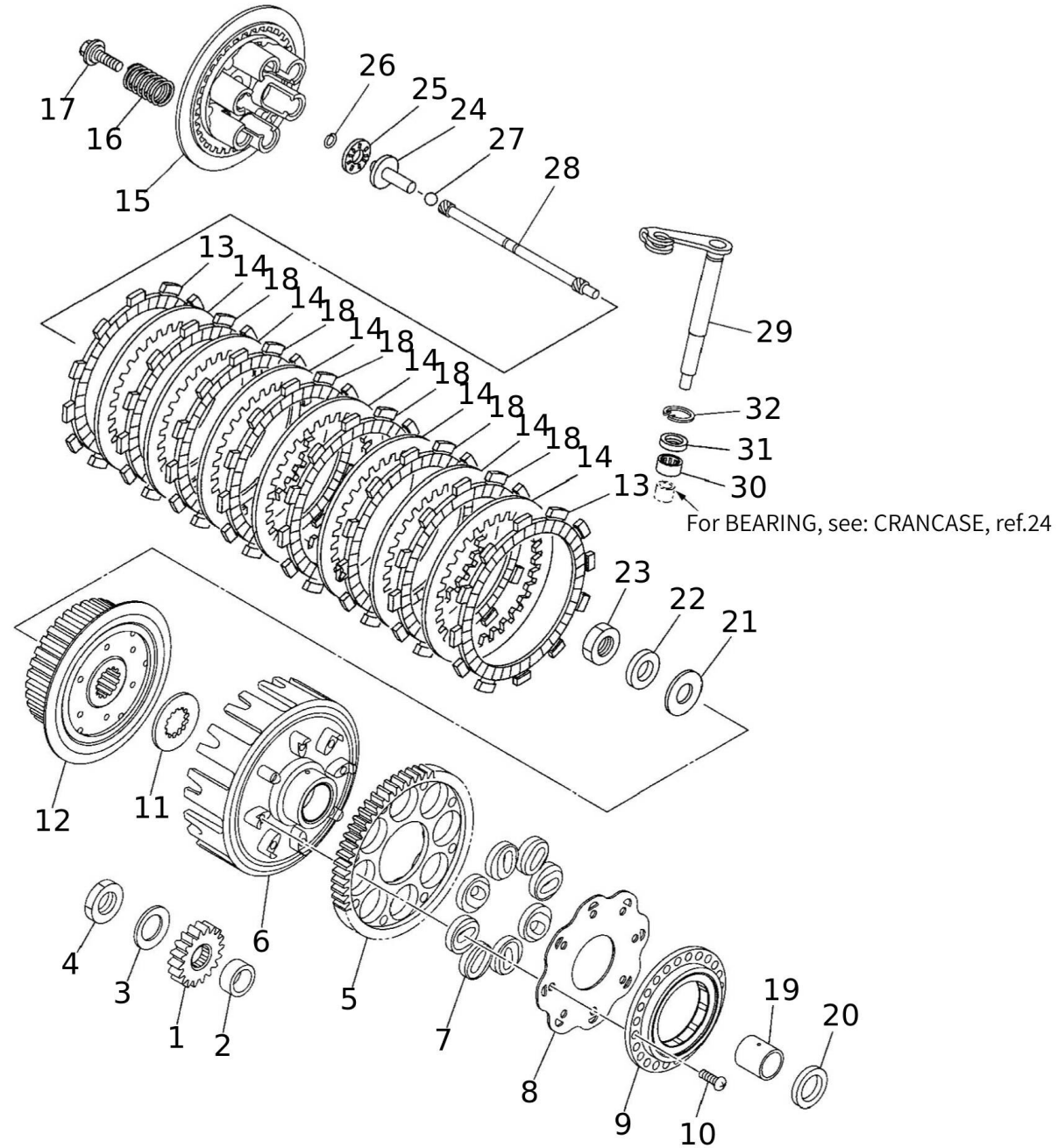
#	Code	Description	Specification	UM	Qty
1	06662005	INTAKE VALVE		pz	2
2	06663005	EXHAUST VALVE		pz	2
3	06664005	SEAL VALVE STEM		pz	2
4	06665005	SEAL VALVE STEM		pz	2
5	06666005	SEAT, VALVE SPRING		pz	2
6	06667005	SEAT, VALVE SPRING 2		pz	2
7	06668005	SPRING VALVE INNER		pz	2
8	06669005	SPRING VALVE OUTER		pz	2
9	06670005	RETAINER, VALVE SPRING		pz	2
10	06671005	RETAINER, VALVE SPRING		pz	2
11	06672005	LOCK VALVE SPRING RETAINER		pz	4
12	06673005	LOCK VALVE SPRING RETAINER		pz	4
13	06674005	LIFTER VALVE		pz	2
14	06675005	LIFTER, VALVE		pz	2
15	06676005	PAD ADJUSTING (1.20)	Accessory	pz	4
15	06677005	PAD ADJUSTING (1.25)	Accessory	pz	4
15	06678005	PAD ADJUSTING (1.30)	Accessory	pz	4
15	06679005	PAD ADJUSTING (1.35)	Accessory	pz	4
15	06680005	PAD ADJUSTING (1.40)	Accessory	pz	4
15	06681005	PAD ADJUSTING (1.45)	Accessory	pz	4
15	06682005	PAD ADJUSTING (1.50)	Accessory	pz	4
15	06683005	PAD ADJUSTING (1.55)	Accessory	pz	4
15	06684005	PAD ADJUSTING (1.60)	Accessory	pz	4
15	06685005	PAD ADJUSTING (1.65)	Accessory	pz	4
15	06686005	PAD ADJUSTING (1.70)	Accessory	pz	4
15	06687005	PAD ADJUSTING (1.75)	Accessory	pz	4
15	06688005	PAD ADJUSTING (1.80)	Accessory	pz	4
15	06689005	PAD ADJUSTING (1.85)	Accessory	pz	4
15	06690005	PAD ADJUSTING (1.90)	Accessory	pz	4
15	06691005	PAD ADJUSTING (1.95)	Accessory	pz	4
15	06692005	PAD ADJUSTING (2.00)	Accessory	pz	4
15	06693005	PAD ADJUSTING (2.05)	Accessory	pz	4
15	06694005	PAD ADJUSTING (2.10)	Accessory	pz	4
15	06695005	PAD ADJUSTING (2.15)	Accessory	pz	4
15	06696005	PAD ADJUSTING (2.20)	Accessory	pz	4
15	06697005	PAD ADJUSTING (2.25)	Accessory	pz	4
15	06698005	PAD ADJUSTING (2.30)	Accessory	pz	4
15	06699005	PAD ADJUSTING (2.35)	Accessory	pz	4
15	06700005	PAD ADJUSTING (2.40)	Accessory	pz	4



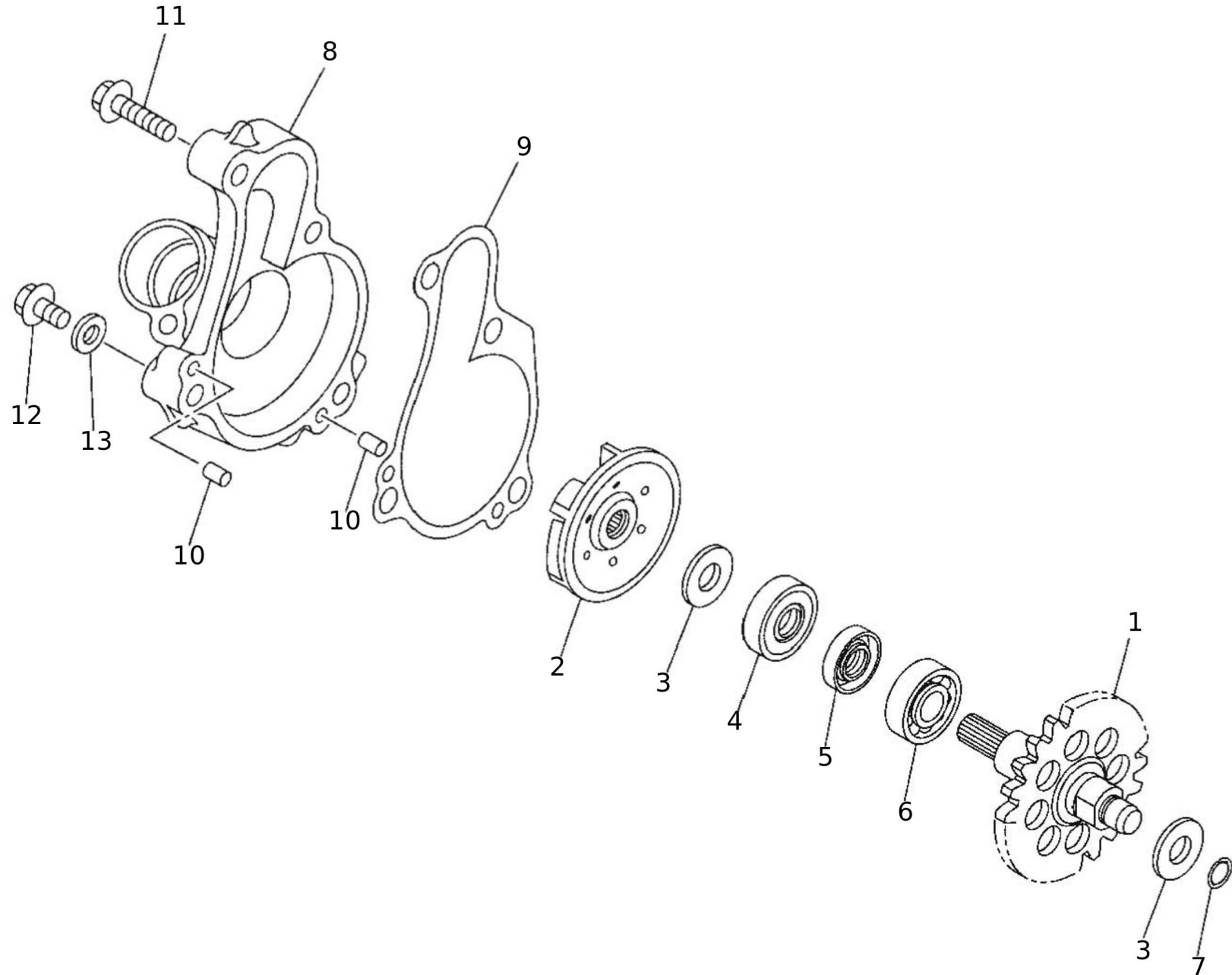
#	Code	Description	Specification	UM	Qty
1	07541005	CAMSHAFT ASSY 1		pz	1
2	07542005	CAMSHAFT ASSY 2		pz	1
3	06703005	CIRCLIP		pz	2
4	09373001	TENSIONATORE CATENA DISTRIB		pz	1
5	06705005	GASKET		pz	1
6	06706005	BOLT		pz	1
7	06707005	GASKET TENSIONER CASE		pz	1
8	06708005	BOLT FLANGE DEEP RECESS		pz	2
9	06709005	CHAIN		pz	1
10	06710005	PATTINO CATENA DISTRIBUZIONE 1		pz	1
11	06711005	PATTINO CATENA DISTRIBUZIONE 2		pz	1
12	06712005	PLATE GUIDE STOPPER 1		pz	1
13	06713005	SCREW COUNTERSUNK		pz	1



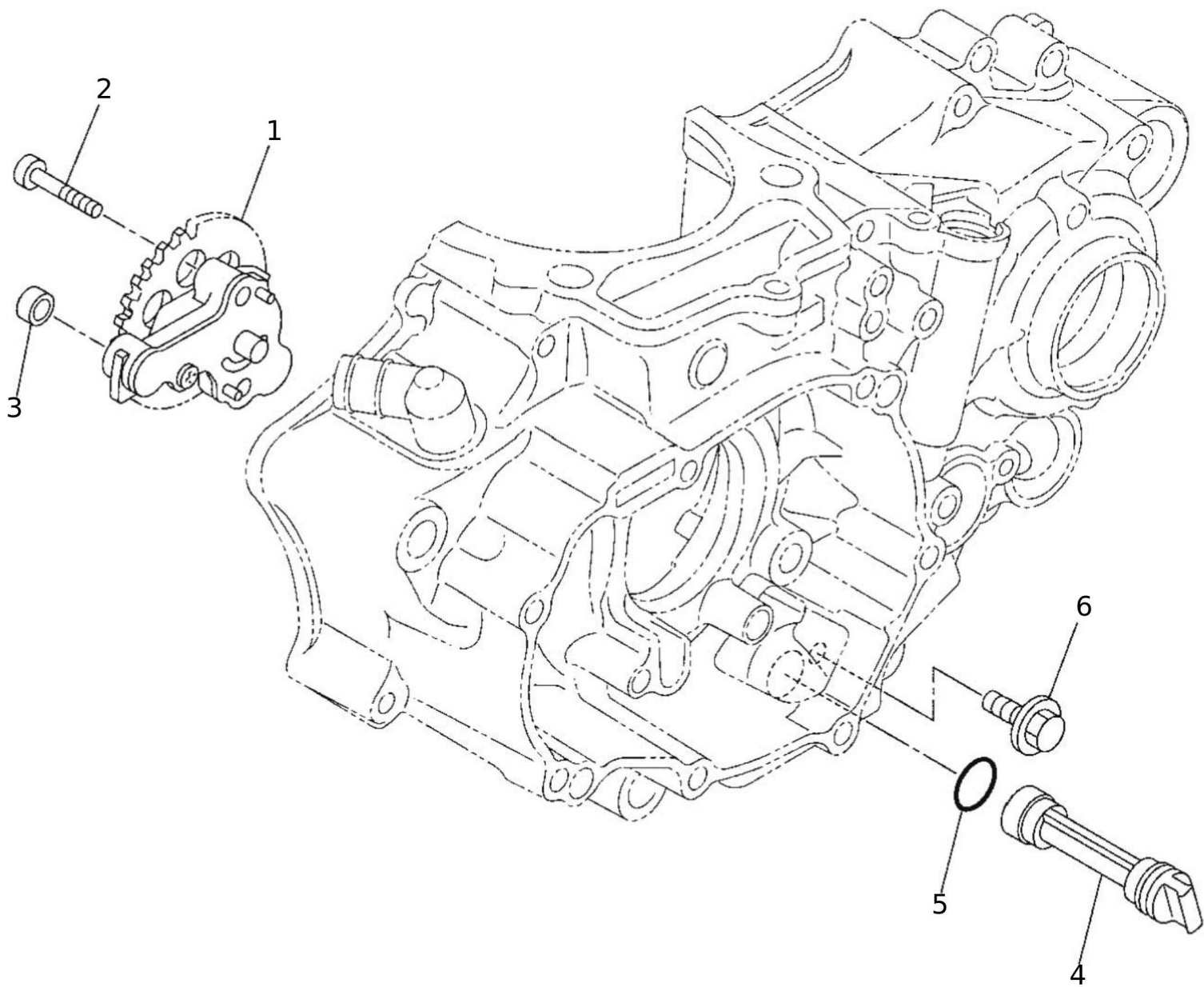
#	Code	Description	Specification	UM	Qty
1	06634020	CRANKSHAFT ASSY		pz	1
2	06635005	CRANK 1		pz	1
3	06636005	CRANK 2		pz	1
4	06637005	PIN, CRANK 1		pz	1
5	06638005	.BEARING		pz	1
6	06639005	ROD CONNECTING		pz	1
7	06640005	WASHER		pz	2
8	06641005	PIN CLEVIS		pz	1
9	06642005	SPRING, COMPRESSION		pz	1
10	06643005	PIN DOWEL		pz	1
11	06644005	BEARING		pz	2
12	06645005	GEAR, DRIVE	XXF	pz	1
12	09374001	GEAR, DRIVE	XEF	pz	1
13	06646005	COUNTERSHAFT		pz	1
14	05942005	BEARING		pz	2
15	06647005	COLLAR		pz	1
16	06648005	GEAR, BALANCE WEIGHT		pz	1
17	06649005	WEIGHT 1		pz	1
18	06650005	SCREW		pz	2
19	06651005	WASHER CONICAL SPRING		pz	1
20	06652005	NUT		pz	1
21	06653005	WEIGHT 2		pz	1
22	06654005	WASHER CONICAL SPRING		pz	1
23	06655005	NUT		pz	1
24	06656020	PISTON ASSY	XXF	pz	1
24	09375001	PISTON ASSY	XEF	pz	1
25	06657005	.PISTON (STD)		pz	1
26	06658005	.PISTON RING SET (STD)		pz	1
27	06659005	PIN, PISTON	XXF	pz	1
27	09376001	PIN, PISTON	XEF	pz	1
28	06660005	CIRCLIP		pz	2
29	06661005	KEY, WOODRUFF		pz	1



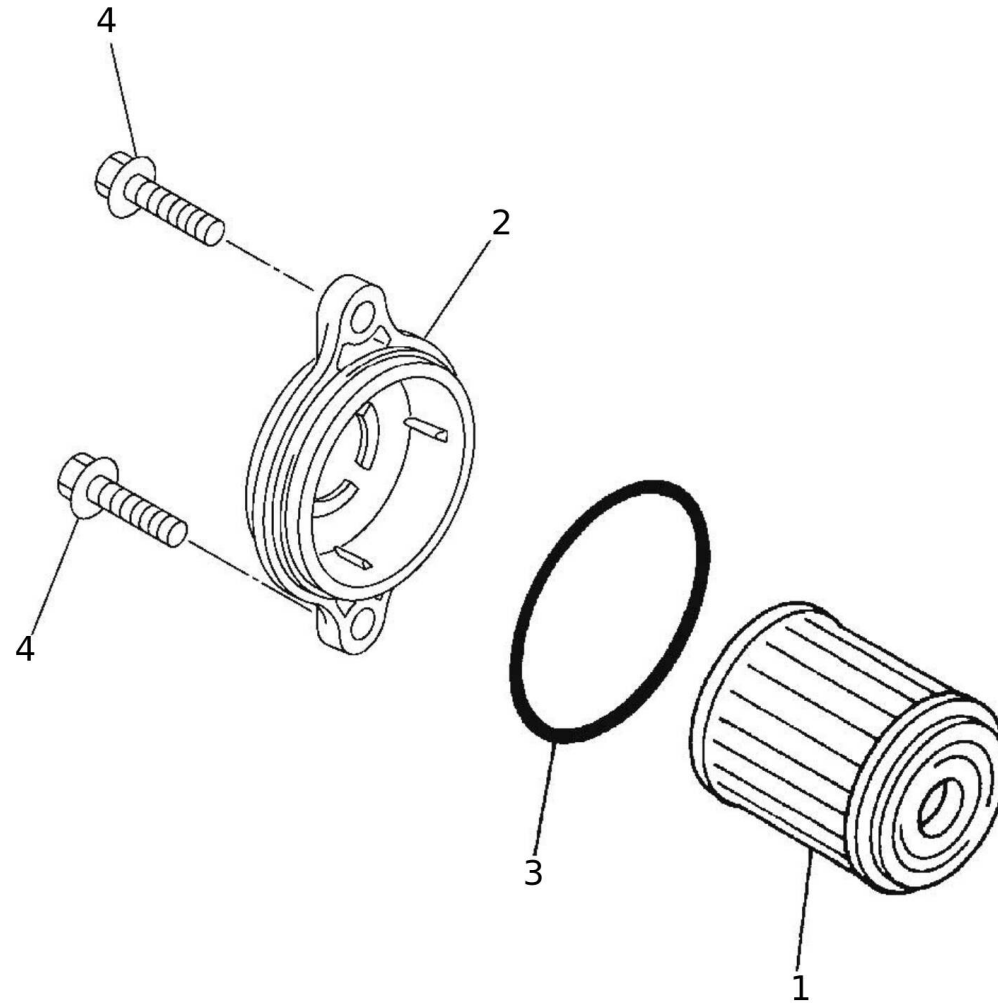
#	Code	Description	Specification	UM	Qty
1	06853005	GEAR PRIMARY DRIVE		pz	1
2	06854005	COLLAR		pz	1
3	06855005	WASHER CONICAL SPRING		pz	1
4	06856005	NUT		pz	1
5	06857005	GEAR PRIMARY DRIVEN		pz	1
6	06858005	PRIMARY DRIVEN GEAR COMP.		pz	1
7	06859005	ABSORBER		pz	8
8	06860005	PLATE SIDE		pz	1
9	06861005	STARTER CLUTCH ASSY	XXF	pz	1
9	09377001	STARTER CLUTCH ASSY	XEF	pz	1
10	06862005	SCREW, PAN HEAD		pz	8
11	06863005	PLATE THRUST 1		pz	1
12	06864005	BOSS, CLUTCH		pz	1
13	06865005	PLATE FRICTION		pz	2
14	06866005	PLATE, CLUTCH 2	XEF	pz	7
14	08230005	PLATE, CLUTCH 2	XXF	pz	7
15	06867005	PLATE, PRESSURE 1		pz	1
16	08231005	SPRING, COMPRESSION	XXF	pz	6
16	09378001	CLUTCH SPRING	XEF	pz	6
17	07056005	BOLT WITH WASHER		pz	1
18	06865005	PLATE FRICTION	XXF	pz	6
18	06869005	PLATE FRICTION	XEF	pz	6
19	06870005	SPACER		pz	1
20	06871005	COLLAR		pz	1
21	06872005	WASHER, PLATE		pz	1
22	06873005	WASHER CONICAL SPRING		pz	1
23	06874005	NUT		pz	1
24	06875005	ROD, PUSH 1		pz	1
25	06876005	BEARING		pz	1
26	06877005	CIRCLIP		pz	1
27	05926005	BALL		pz	1
28	06878005	ROD, PUSH 2		pz	1
29	06879005	PUSH LEVER COMP.		pz	1
30	06880005	BEARING		pz	1
31	05930005	OIL SEAL		pz	1
32	06881005	CIRCLIP		pz	1



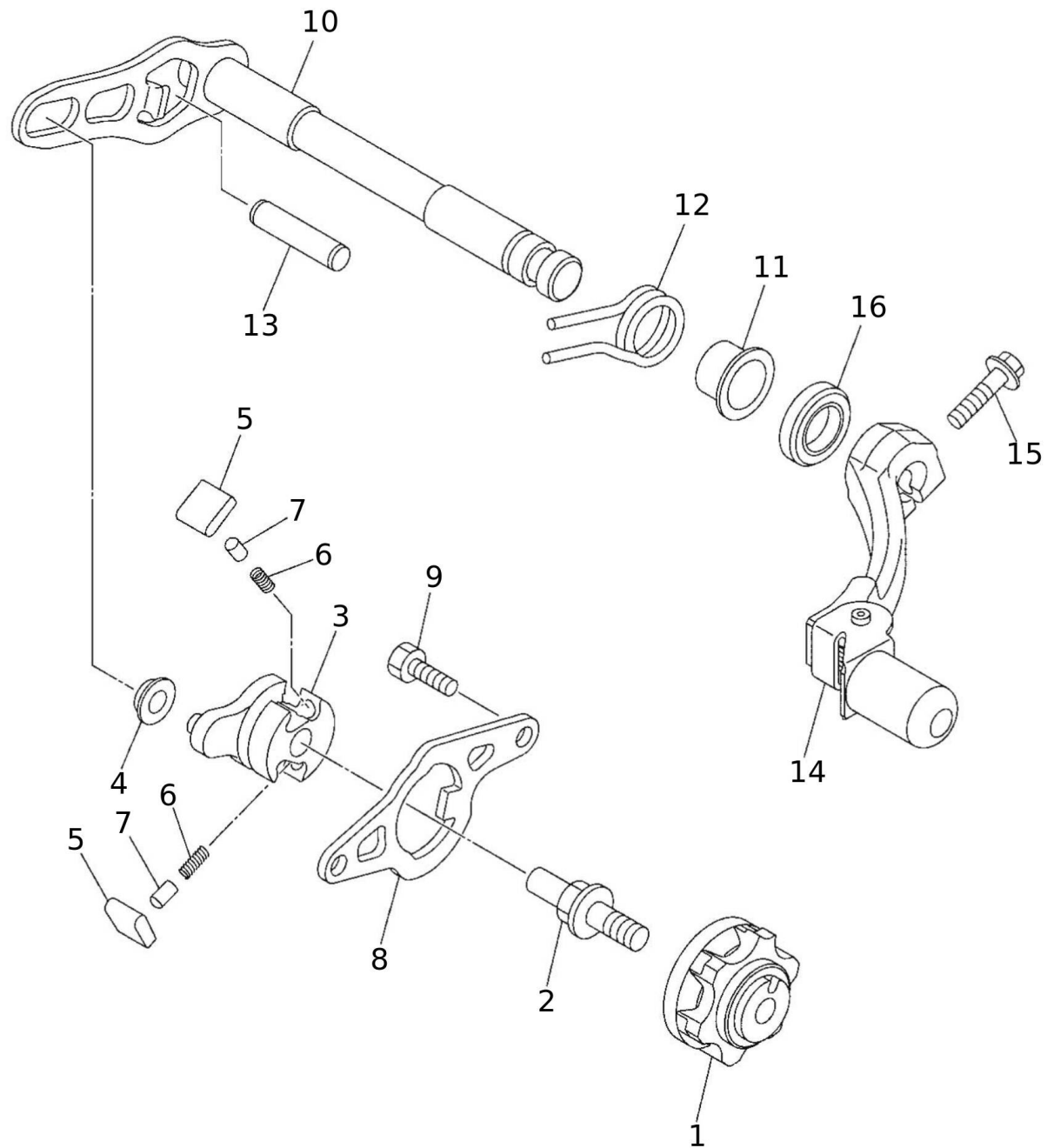
#	Code	Description	Specification	UM	Qty
1	06714005	GEAR IMPELLER SHAFT		pz	1
2	06715005	IMPELLER SHAFT ASSY		pz	1
3	05697005	WASHER		pz	2
4	06716005	OIL SEAL		pz	1
5	06717005	OIL SEAL		pz	1
6	06718005	BEARING		pz	1
7	05699005	CIRCLIP		pz	1
8	06719005	COVER,CYLINDER HEAD 1		pz	1
9	06720005	GSKT. COVER CYL. HEAD SIDE 1		pz	1
10	05708005	PIN DOWEL		pz	2
11	06708005	BOLT FLANGE DEEP RECESS		pz	4
12	06617005	BOLT FLANGE DEEP RECESS		pz	1
13	05705005	GASKET		pz	1



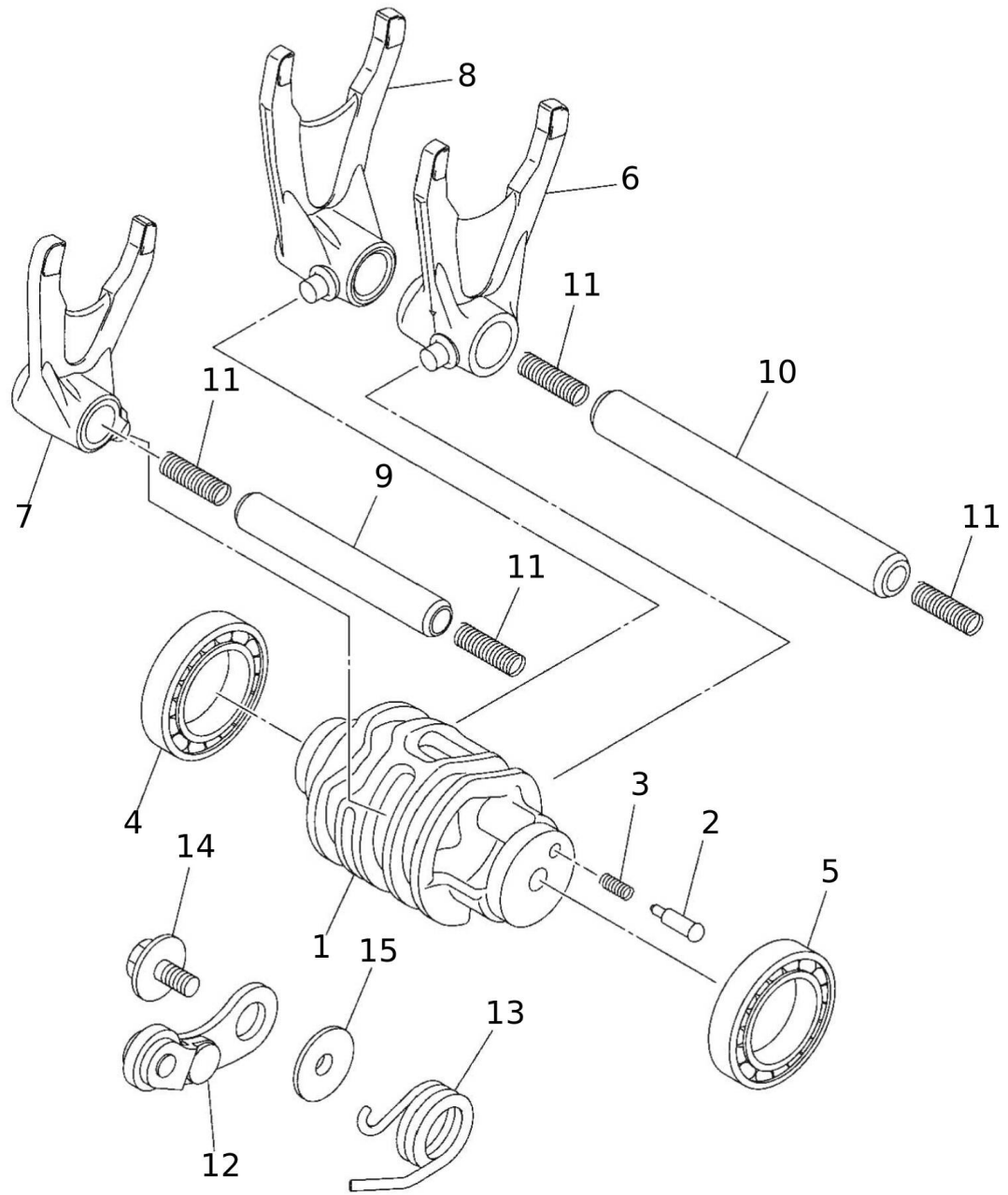
#	Code	Description	Specification	UM	Qty
1	06740005	OIL PUMP ASSY		pz	1
2	06741005	BOLT, HEXAGON SOCKET HEAD		pz	2
3	06742005	GASKET		pz	1
4	06743005	STRAINER OIL		pz	1
5	06744005	O-RING		pz	1
6	06565005	SCREW WITH WASHER		pz	1



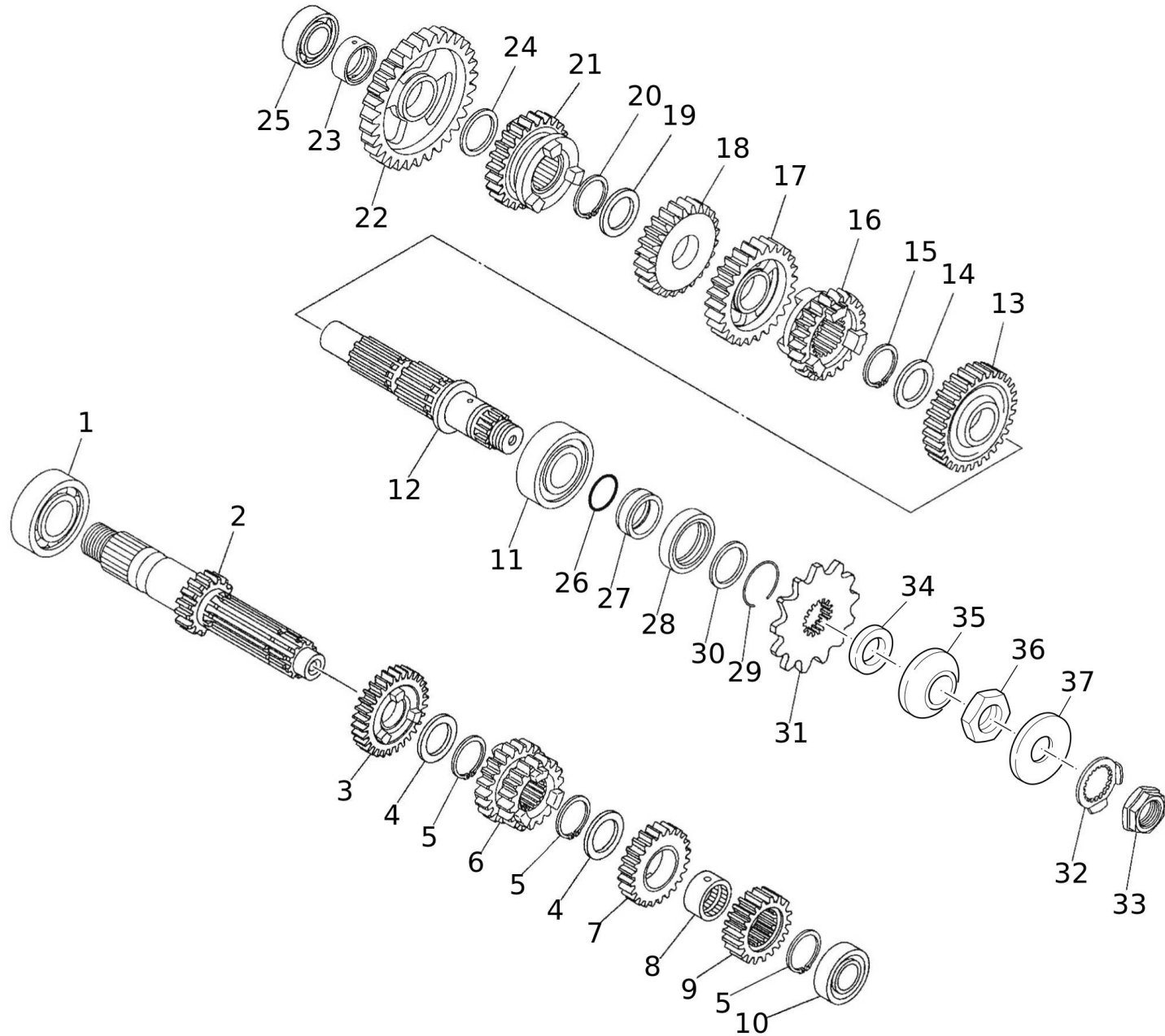
#	Code	Description	Specification	UM	Qty
1	06746005	FILTRO OLIO		pz	1
2	06747005	COVER, OIL ELEMENT		pz	1
3	06748005	O-RING		pz	1
4	06749005	BOLT FLANGE DEEP RECESS		pz	2



#	Code	Description	Specification	UM	Qty
1	06919005	SEGMENT		pz	1
2	05986005	PIN SHIFT		pz	1
3	06920005	LEVER, SHIFT 2		pz	1
4	05987005	ROLLER SHIFT LEVER		pz	1
5	05988005	PAWL SHIFTER		pz	2
6	05989005	SPRING, COMPRESSION		pz	2
7	05990005	PIN PAWL		pz	2
8	06921005	GUIDE, SHIFT		pz	1
9	05992005	BOLT		pz	2
10	06922005	SHIFT SHAFT ASSY		pz	1
11	06923005	COLLAR		pz	1
12	06924005	SPRING, TORSION		pz	1
13	05982005	PIN DOWEL		pz	1
14	06925005	SHIFT PEDAL ASSY		pz	1
15	06926005	BOLT WITH WASHER		pz	1
16	06927005	OIL SEAL		pz	1

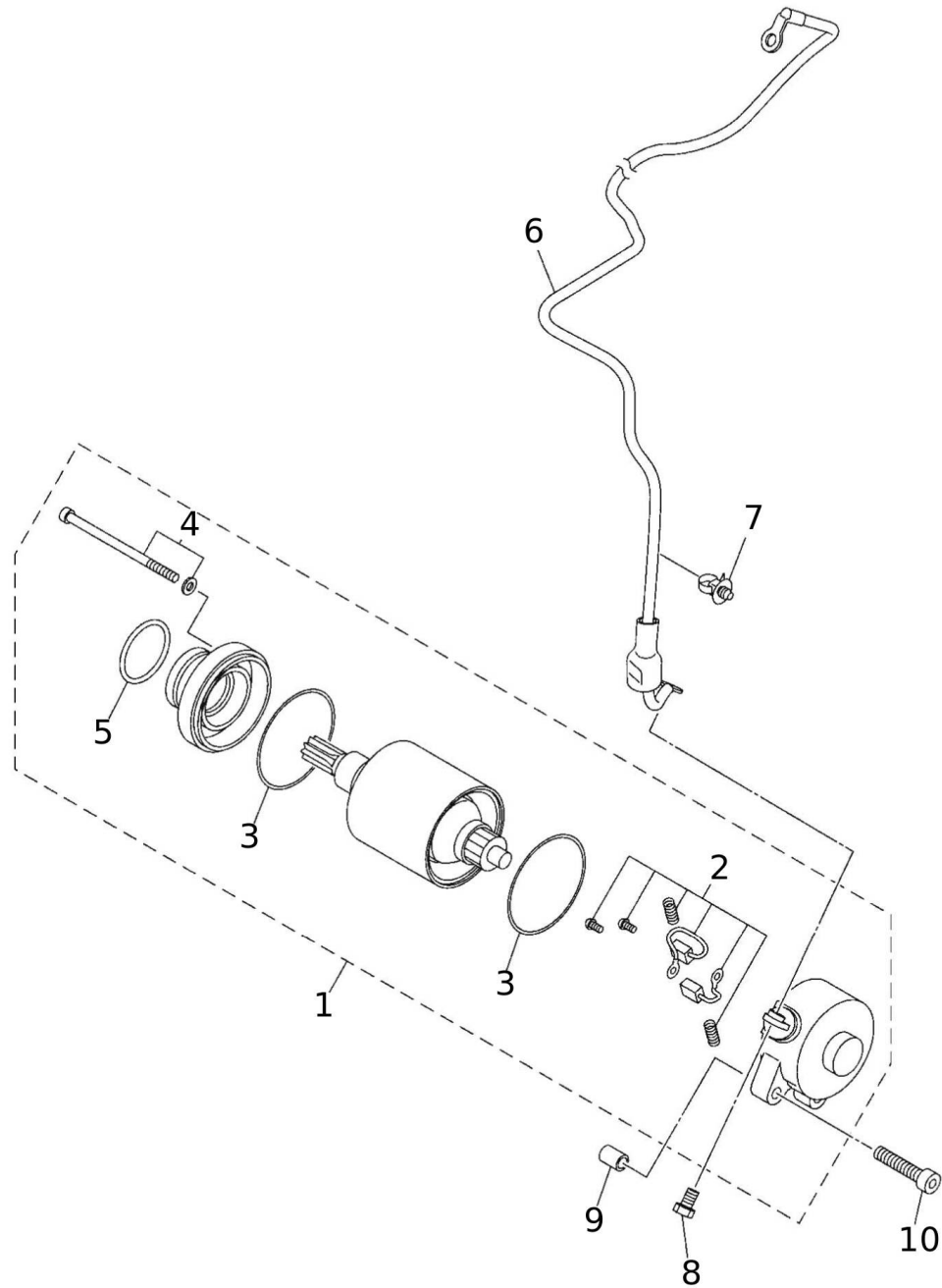


#	Code	Description	Specification	UM	Qty
1	09071005	CAM, SHIFT	XXF	pz	1
1	09380001	CAM, SHIFT	XEF	pz	1
2	06906005	PIN		pz	1
3	06907005	SPRING, COMPRESSION		pz	1
4	06197005	BEARING		pz	1
5	06908005	BEARING		pz	1
6	06909005	FORK, SHIFT 1	XEF	pz	1
6	08244005	FORK, SHIFT 1	XXF	pz	1
7	06910005	FORK, SHIFT 2	XEF	pz	1
7	08245005	FORK, SHIFT 2	XXF	pz	1
8	06911005	FORK, SHIFT 3	XEF	pz	1
8	08246005	FORK, SHIFT 3	XXF	pz	1
9	06912005	BAR SHIFT FORK GUIDE 1		pz	1
10	06913005	BAR SHIFT FORK GUIDE 2		pz	1
11	06914005	SPRING, COMPRESSION		pz	4
12	06915005	STOPPER LEVER ASSY		pz	1
13	06916005	SPRING, TORSION		pz	1
14	06917005	BOLT WITH WASHER		pz	1
15	06918005	SPACER		pz	1

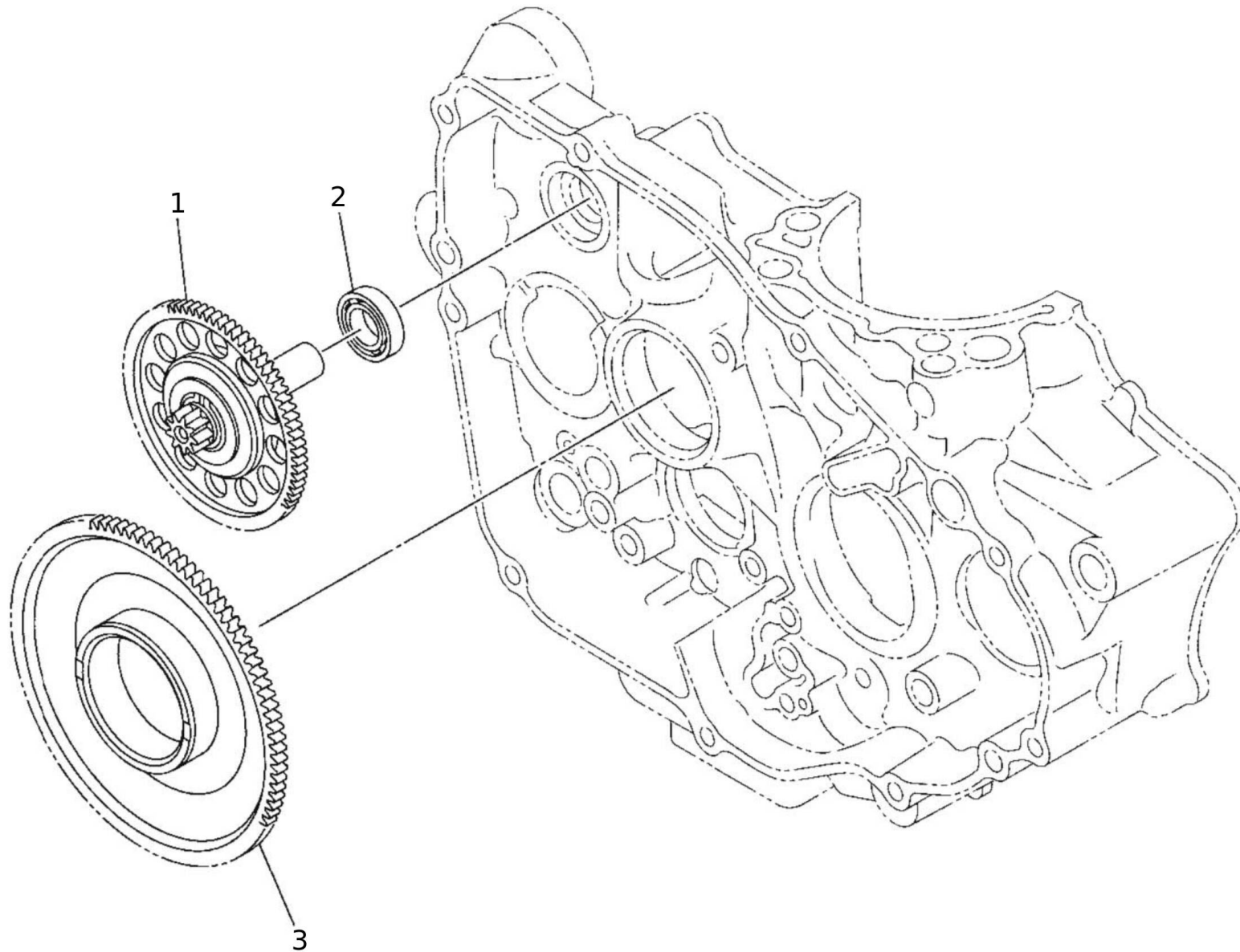


#	Code	Description	Specification	UM	Qty
1	06882005	BEARING		pz	1
2	06883005	AXLE, MAIN	XE	pz	1
2	08232005	AXLE, MAIN	XXF	pz	1
3	06884005	GEAR 6TH PINION (27T)	XE	pz	1
3	09064005	INGRANAGGIO MOVENTE 5A MARCIA (24T)	XXF	pz	1
4	05948005	WASHER		pz	2
5	05937005	CIRCLIP		pz	3
6	06885005	GEAR 3RD PINION (18T/21T)	XE	pz	1
6	09065005	INGRANAGGIO MOVENTE 3A MARCIA (20T)	XXF	pz	1
7	06886005	GEAR 5TH PINION (23T)	XE	pz	1
7	09066005	INGRANAGGIO MOVENTE 4A MARCIA (18T)	XXF	pz	1
8	06887005	COLLAR		pz	1
9	06888005	GEAR, 2ND PINION(16T)	XE	pz	1
9	08236005	GEAR, 2ND PINION(16T)	XXF	pz	1
10	06889005	BEARING		pz	1
11	06890005	BEARING		pz	1
12	06891005	DRIVE AXLE ASSY	XE	pz	1
12	09067005	DRIVE AXLE ASSY	XXF	pz	1
13	06892005	GEAR 2ND WHEEL (29T)	XE	pz	1
13	08238005	GEAR, 2ND WHEEL (28T)	XXF	pz	1
14	05953005	WASHER		pz	1
15	05952005	CIRCLIP		pz	1
16	06893005	GEAR 5TH WHEEL (22T)	XE	pz	1
16	09068005	INGRANAGGIO CONDOTTO 4A MARCIA(22T)	XXF	pz	1
17	06894005	INGRANAGGIO CONDOTTO 3A MARCIA (26T)	XE	pz	1
18	06895005	INGRANAGGIO CONDOTTO 4A MARCIA (24T)	XE	pz	1
18	09069005	INGRANAGGIO CONDOTTO 3A MARCIA(26T)	XXF	pz	1
19	05948005	WASHER		pz	1
20	05937005	CIRCLIP		pz	1
21	06896005	GEAR 6TH WHEEL (22T)	XE	pz	1
21	09070005	INGRANAGGIO CONDOTTO 5A MARCIA(25T)	XXF	pz	1
22	06897005	GEAR 1ST WHEEL (31T)	XE	pz	1
22	08242005	GEAR, 1ST WHEEL(30T)	XXF	pz	1
23	06898005	COLLAR		pz	1
24	06899005	WASHER, PLATE		pz	1
25	05942005	BEARING		pz	1
26	06900005	O-RING		pz	1
27	06901005	COLLAR		pz	1
28	05958005	OIL SEAL		pz	1
29	06902005	CIRCLIP		pz	1

#	Code	Description	Specification	UM	Qty
30	06903005	WASHER, PLATE		pz	1
31	05960005	PINION Z13		pz	1
32	05961005	WASHER LOCK		pz	1
33	05962005	NUT		pz	1
34	07398005	FRONT SPROCKET RUBBER DISC XE	XEF	pz	1
35	07392005	SPRING	XEF	pz	1
36	07399005	LOWERED NUT M18x1	XEF	pz	1
37	07400005	BUSHING	XEF	pz	1

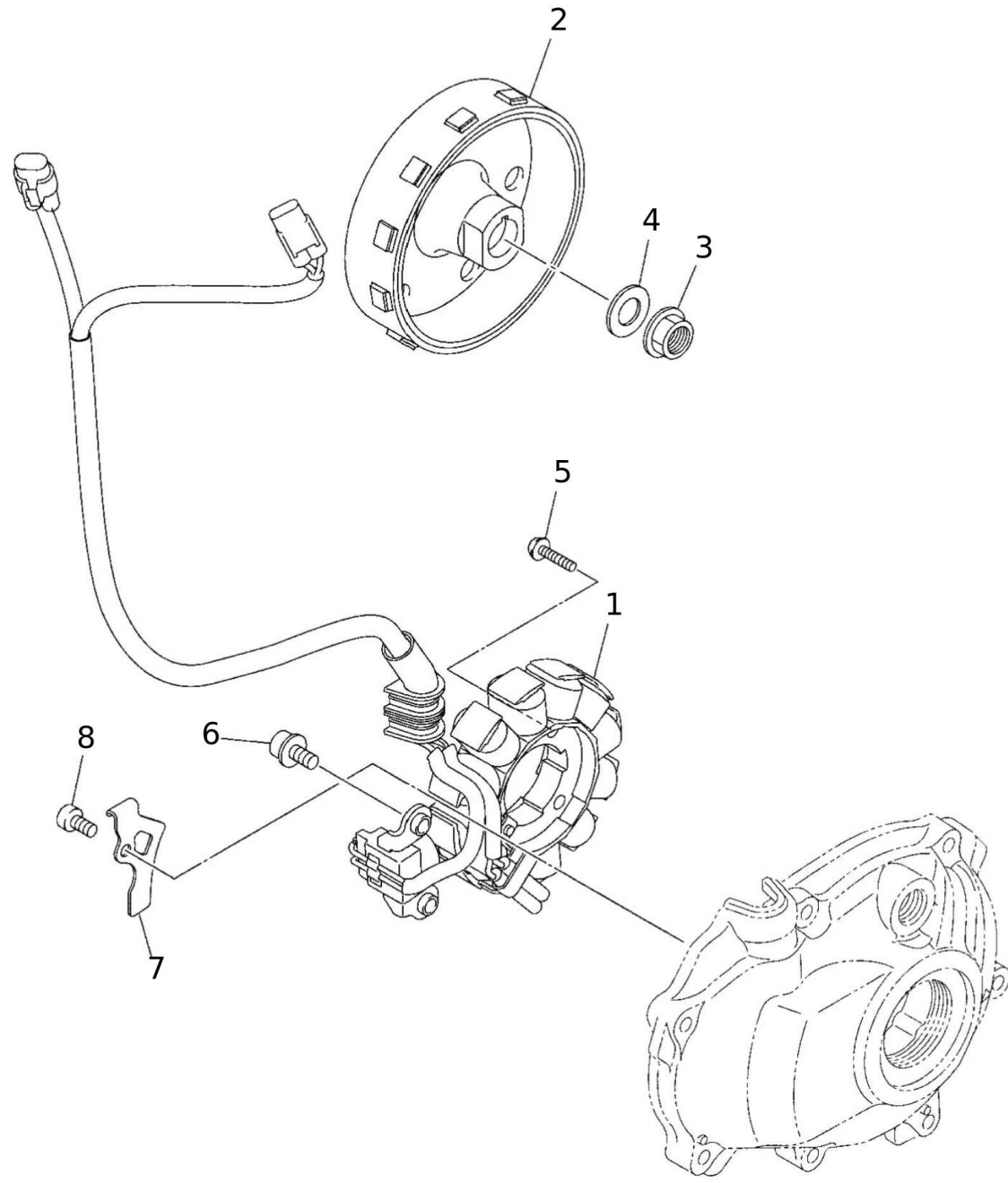


#	Code	Description	Specification	UM	Qty
1	07099020	MOTOR ASSY		pz	1
2	07100005	BRUSH SET		pz	1
3	07101005	GASKET		pz	2
4	07102005	SCREW, PAN HEAD		pz	2
5	07103005	O-RING		pz	1
6	07104005	CAVO	XEF	pz	1
6	09381001	CAVO MOTORINO AVV	XXF	pz	1
7	07105005	FASCETTA		pz	1
8	07106005	BOLT 2		pz	1
9	07107005	PIN, DOWEL		pz	2
10	07108005	BOLT HEXAGON SOCKET HEAD		pz	2

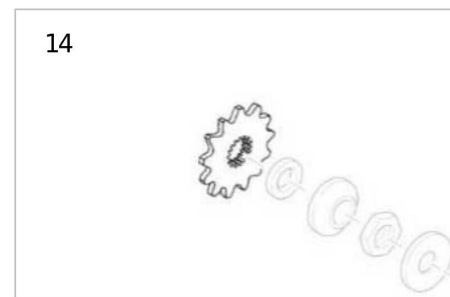
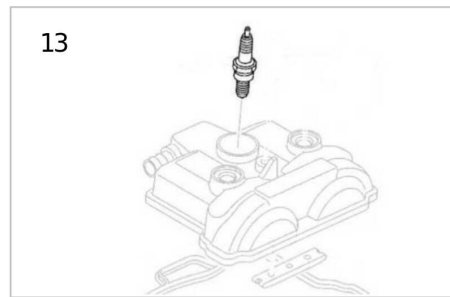
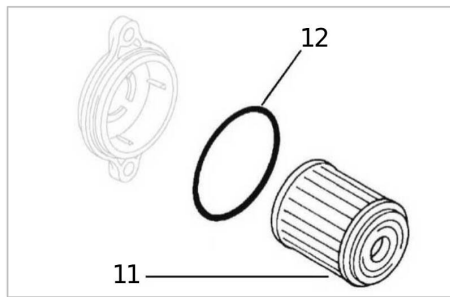
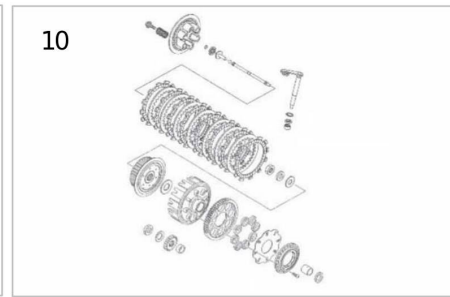
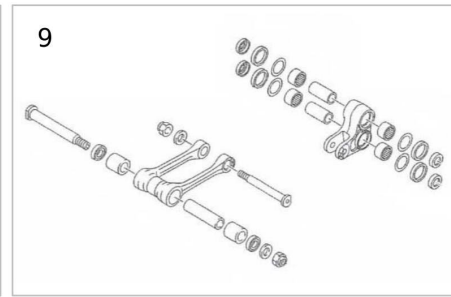
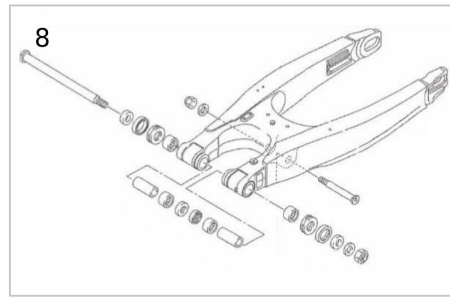
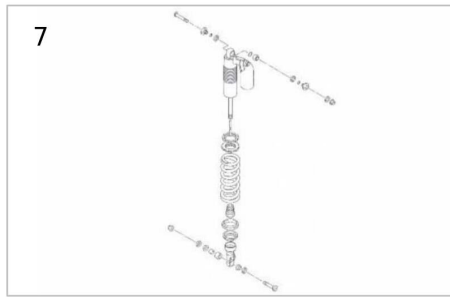
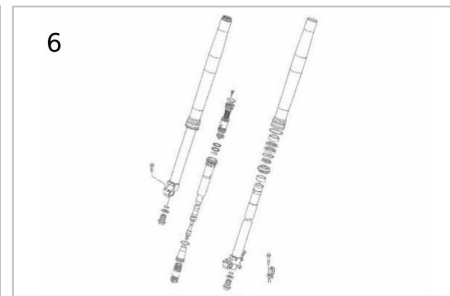
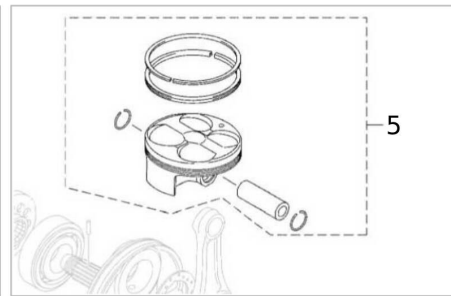
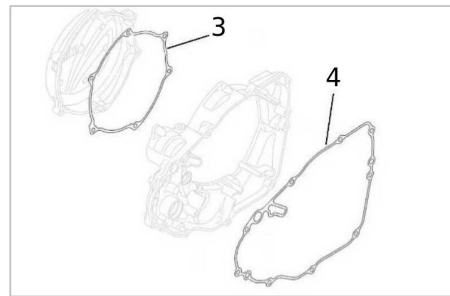
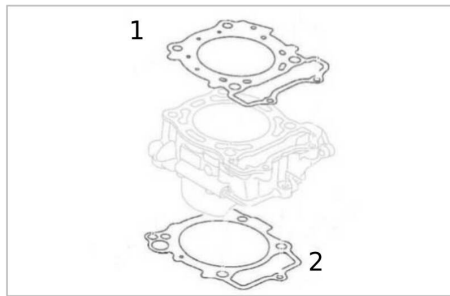


#	Code	Description	Specification	UM	Qty
1	06850005	DAMPER ASSY		pz	1
2	06851005	BEARING		pz	1
3	06852005	GEAR 3		pz	1

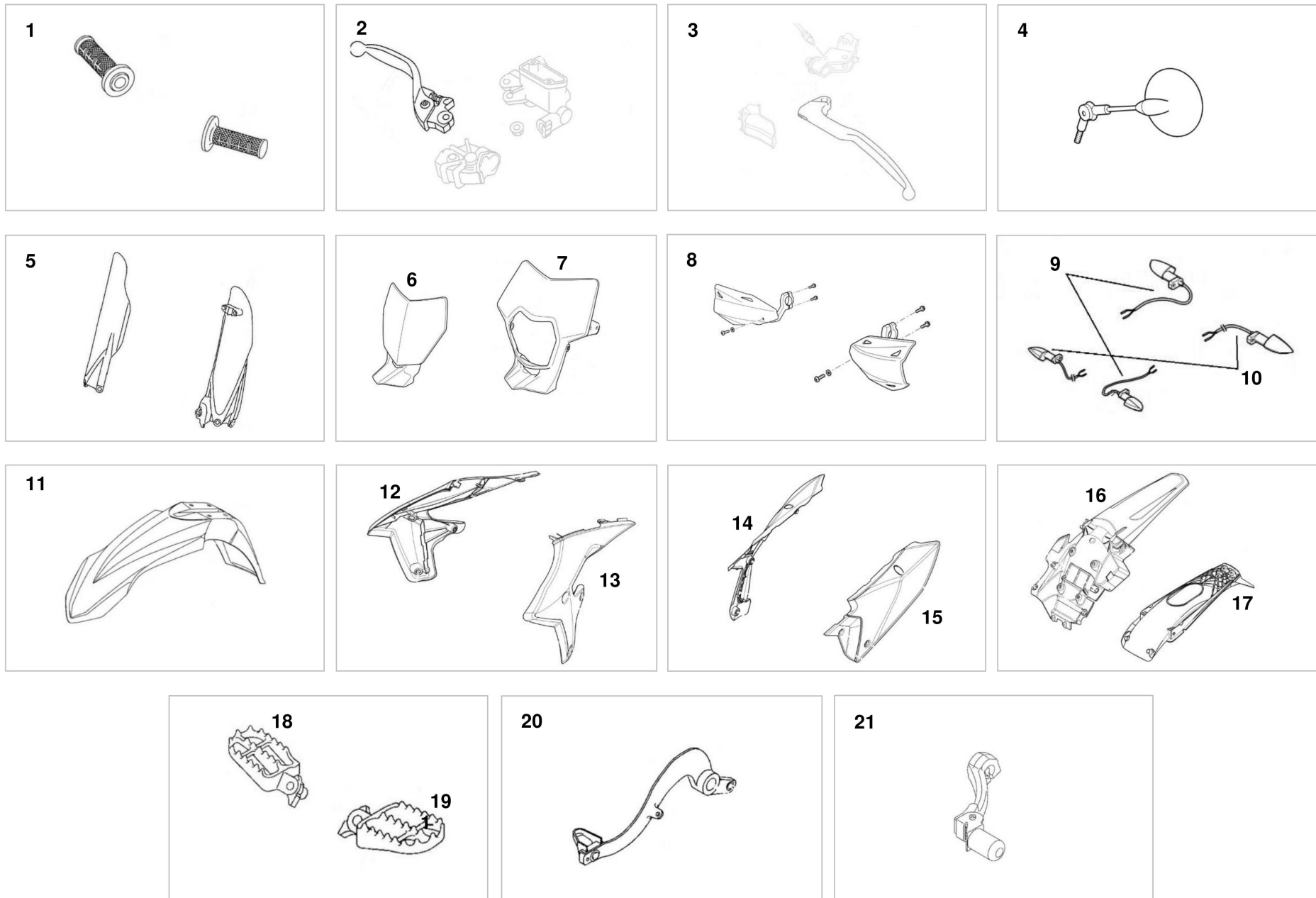




#	Code	Description	Specification	UM	Qty
1	09094005	STAORE XXF450	XXF	pz	1
1	09228005	STATOR ASSY	XEF	pz	1
2	07093005	ROTOR ASSY	XEF	pz	1
2	08292005	ROTOR ASSY	XXF	pz	1
3	07094005	NUT		pz	1
4	06376005	WASHER PLATE		pz	1
5	07095005	SCREW, PAN HEAD		pz	3
6	07096005	BOLT, HEXAGON SOCKET HEAD		pz	2
7	07097005	CLAMP 1		pz	1
8	07098005	BOLT, HEXAGON SOCKET HEAD		pz	1



#	Code	Description	Specification	UM	Qty
1	06620005	GASKET CYLINDER HEAD 1		pz	1
2	06632005	GASKET CYLINDER		pz	1
3	06849005	GASKET CRANKCASE COVER		pz	1
4	06848005	GASKET CRANKCASE COVER 3	XXF	pz	1
4	09370001	GASKET CRANKCASE COVER 3	XXF	pz	1
5	06656020	PISTON ASSY	XXF	pz	1
5	09375001	PISTON ASSY	XEF	pz	1
6	09386001	KIT PARAOLI FORCELLA		pz	1
7	09101005	KIT CUSCINETTI-PARAOLI AMMORTIZZATORE		pz	1
8	09098005	KIT CUSCINETTI-PARAOLI FORCELLONE		pz	1
9	09099005	KIT CUSCINETTI-PARAOLI LEVERAGGI		pz	1
10	09382001	KIT DISCHI FRIZIONE-MOLLE-OR	XEF XEF	pz	1
10	09383001	KIT DISCHI FRIZIONE-MOLLE-OR	XXF XXF	pz	1
10	09384001	KIT DISCHI FRIZIONE GUARNITI	XEF XEF	pz	1
10	09385001	KIT DISCHI FRIZIONE GUARNITI	XXF XXF	pz	1
11	06746005	FILTRO OLIO		pz	1
12	06748005	O-RING		pz	1
13	06619005	PLUG SPARK (NGK LMAR8E-J)	XEF	pz	1
13	08207005	PLUG, SPARK (NGKLMAR9E-J)	XXF	pz	1
14	05960005	PINION Z13		pz	1
15	06268005	CHAIN 520 114 LINKS WITH MASTER JOINT		pz	1
16	06242005	SPROCKET DRIVEN (48T)		pz	1
16	06243005	SPROCKET DRIVEN (47T)		pz	1
16	06247005	SPROCKET DRIVEN (52T)		pz	1
16	07060005	SPROCKET DRIVEN (51T)		pz	1
16	07061005	SPROCKET DRIVEN (48T)		pz	1
16	07062005	SPROCKET DRIVEN (50T)		pz	1
16	07063005	SPROCKET DRIVEN (52T)		pz	1
16	08128005	SPOCKET		pz	1
16	08468001	CORONA POST 51D MY22		pz	1
16	08696005	CORONA POST Z 50 MY22		pz	1
16	08697005	CORONA POST 49D MY22		pz	1
17	09225020	KIT MINUTERIE OFF-ROAD		pz	1



#	Code	Description	Specification	UM	Qty
1	07437005	OFF-ROAD KNOB PAIR		pz	1
2	08740005	LEVA FRENO ANT.		pz	1
3	07595020	KIT SUPPORTO LEVA 1	XEF	pz	1
3	08499020	LEVER HOLDER ASSY, 1	XXF	pz	1
4	07407005	REAR-VIEW MIRROR E-141 WITH IRON CLAMP		pz	2
5	07364005	KIT FORK GUARD XEF	XEF XEF	pz	1
5	07662005	FORK SLIDER PROTECTORS (PAIR)	XXF	pz	1
6	07503005	FRONT PLATE NUMBER OFF-ROAD	XXF	pz	1
7	07501005	HEADLIGHT FAIRING XE/XEF	XEF	pz	1
8	02163005	HANDGUARD (WHITE) WITHOUT STICKER	XEF	pz	1
9	05121005	DIRECTION INDICATOR FRONT LH / REAR RH	XEF XEF	pz	1
10	05120005	DIRECTION INDICATOR FRONT RH / REAR LH	XEF XEF	pz	1
11	07500005	FRONT FENDER OFF-ROAD WHITE		pz	1
12	07506005	SIDE FAIRING		pz	1
13	07505005	SIDE FAIRING		pz	1
14	07508005	SIDE FAIRING		pz	1
15	07507005	SIDE FAIRING		pz	1
16	07509005	MUDGUARD	XEF	pz	1
16	08117005	PARAFANGO POSTERIORE XXF	XXF	pz	1
17	07368005	LICENSE PLATE	XEF	pz	1
18	08532005	PEDANA DESTRA		pz	1
19	08531005	PEDANA SINISTRA		pz	1
20	07078005	PEDAL BRAKE		pz	1
21	06925005	SHIFT PEDAL ASSY		pz	1