



Spare parts catalogue  
**XEF-XXF 450 MY22**

# Index

<b>Models</b> .....	4
<b>Telaio</b> .....	6
<b>Swingarm</b> .....	9
<b>AMMORTIZZATORE POSTERIORE</b> .....	11
<b>Steering plates</b> .....	13
<b>Fork</b> .....	15
<b>Front wheel</b> .....	18
<b>Rear wheel</b> .....	20
<b>Front brake</b> .....	23
<b>Rear brake</b> .....	25
<b>Radiators</b> .....	28
<b>Fuel</b> .....	30
<b>Aspiration</b> .....	32
<b>Exhaust</b> .....	35
<b>Controls</b> .....	37
<b>Front Bodywork</b> .....	40
<b>Tank bodywork</b> .....	43
<b>Rear Bodywork</b> .....	45
<b>Wiring XEF</b> .....	48
<b>Wiring XXF</b> .....	51
<b>Booklets - Decalco</b> .....	54
<b>Crankcase</b> .....	56
<b>Crankcase Covers</b> .....	58
<b>Head - Cylinder</b> .....	60
<b>Valvole</b> .....	62
<b>Distribuzione</b> .....	64
<b>Crankshaft</b> .....	66
<b>Frizione</b> .....	68
<b>Pompa acqua</b> .....	70
<b>Pompa olio</b> .....	72

<b>FILTRO OLIO</b> .....	74
<b>Shift control</b> .....	76
<b>SHIFT CAM</b> .....	78
<b>Gear Shift</b> .....	80
<b>STARTING MOTOR ASSY</b> .....	83
<b>WHEEL STARTER</b> .....	85
<b>Volano</b> .....	87
<b>100 - Suggested Spare Parts 4 Stroke</b> .....	89
<b>101 - Suggested Spare Parts 4 Stroke</b> .....	91



**XXF 450**  
XXF

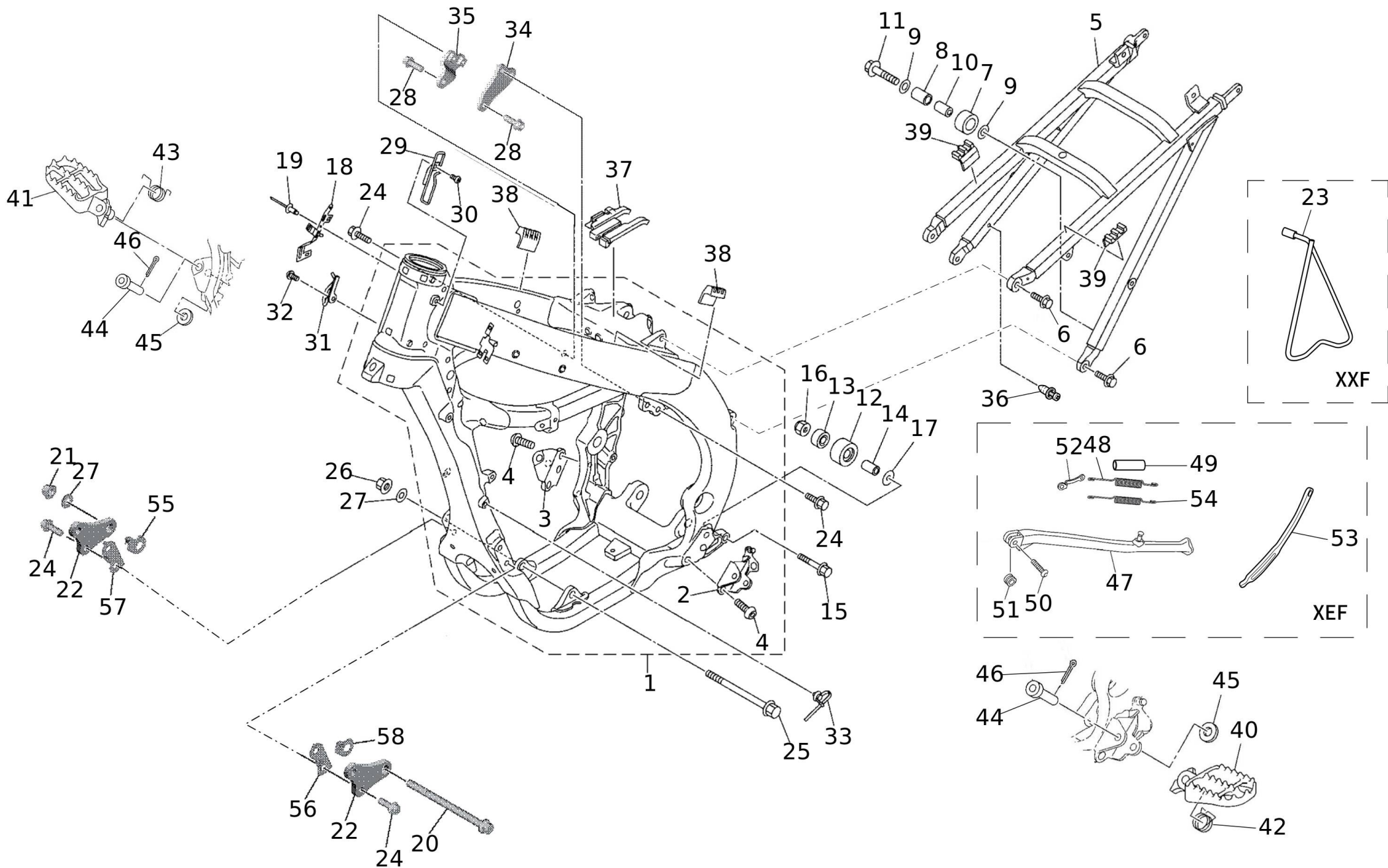


**XEF 450**  
XEF



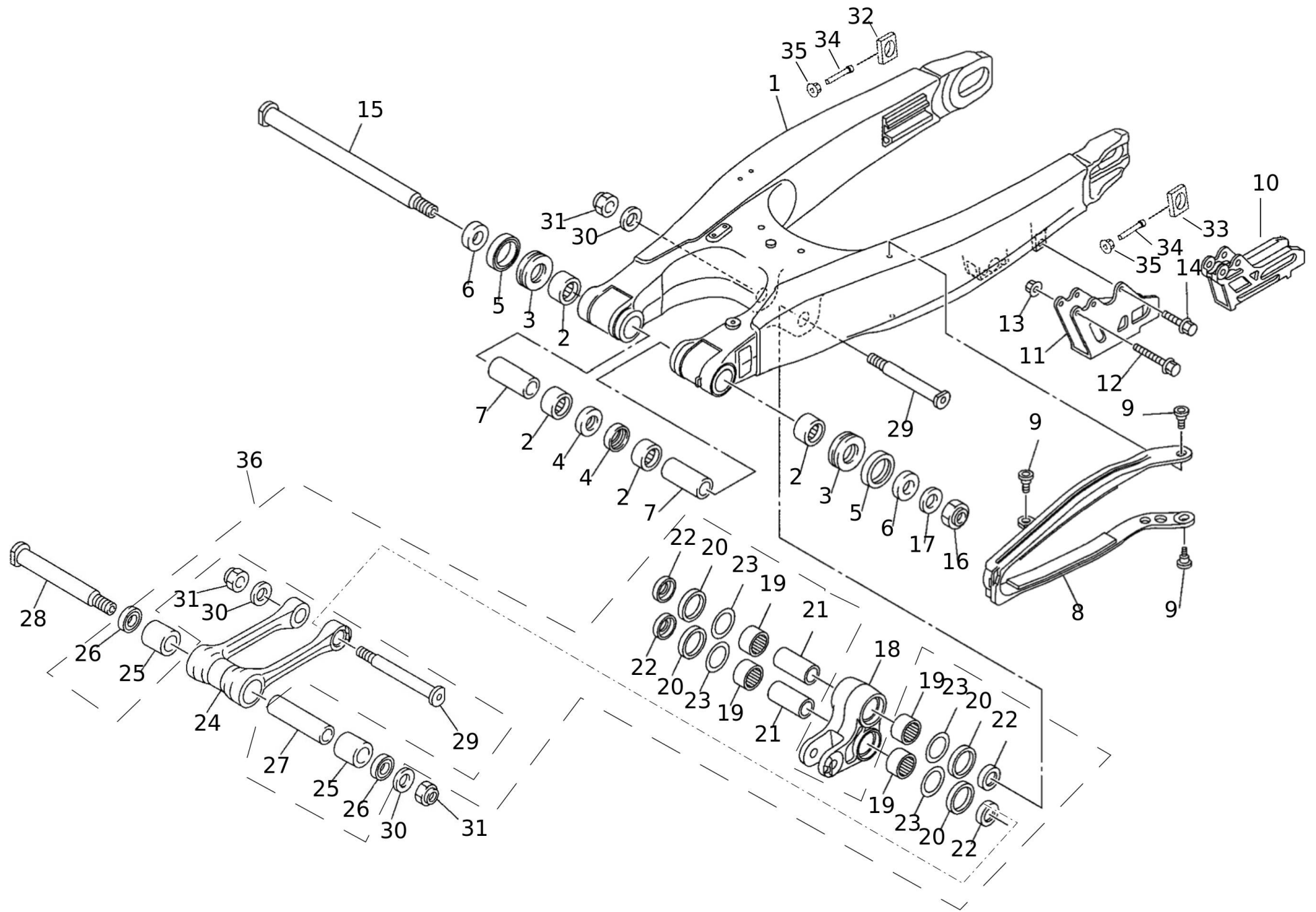
#	Code	Description	Specification	UM	Qty
---	------	-------------	---------------	----	-----



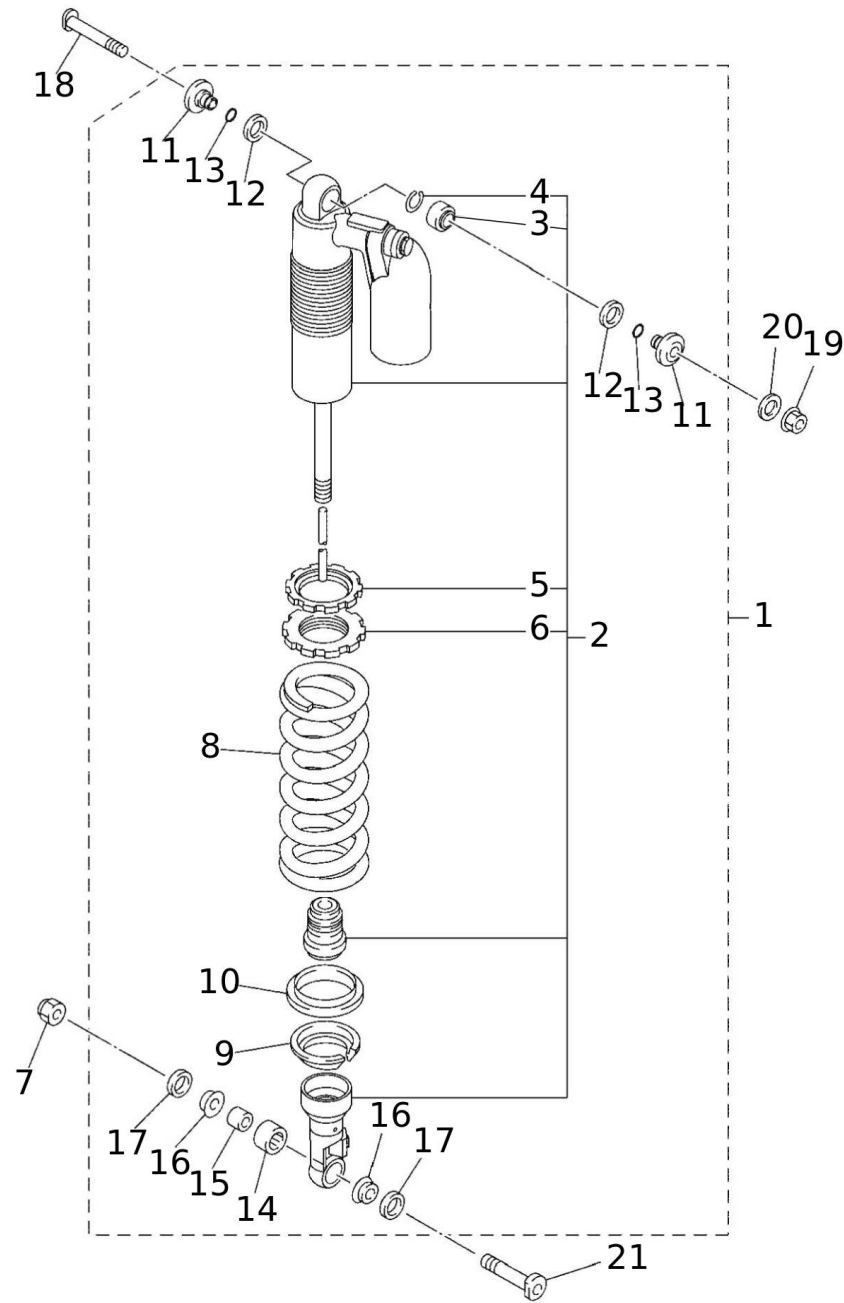


#	Code	Description	Specification	UM	Qty
1	06928020	GRUPPO TELAIO ANTERIORE	XEF	pz	1
1	08247005	GRUPPO TELAIO ANTERIORE	XXF	pz	1
2	06929005	.BRACKET, FOOTREST	XEF	pz	1
2	08248005	.BRACKET, FOOTREST	XXF	pz	1
3	06930005	BRACKET FOOTREST		pz	1
4	05997005	SCREW		pz	4
5	06931005	TELAIETTO POSTERIORE	XXF	pz	1
5	08402005	FRAME	XEF	pz	1
6	06932005	BOLT FLANGE		pz	4
7	06004005	TENSIONER		pz	1
8	06005005	COLLAR		pz	1
9	06006005	WASHER PLATE		pz	2
10	06007005	COLLAR		pz	1
11	06933005	BOLT FLANGE DEEP RECESS		pz	1
12	06934005	TENSIONER		pz	1
13	06010005	BEARING		pz	1
14	06011005	COLLAR		pz	1
15	06935005	BOLT FLANGE		pz	1
16	06013005	NUT SELF-LOCKING		pz	1
17	06014005	WASHER PLATE		pz	1
18	06936005	BRACKET, BATTERYBOX	XEF	pz	1
18	08249005	BRACKET, BATTERYBOX	XXF	pz	1
19	06937005	RIVET BLIND		pz	2
20	06938005	BOLT FLANGE		pz	1
21	06016005	NUT		pz	1
22	06939005	SUPPORTO ANTERIORE BASSO 1	XEF	pz	2
22	07554005	SUPPORTO ANTERIORE BASSO 1	XXF	pz	2
23	08718005	SUPPORTO LATERALE XXF	XXF	pz	1
24	06941005	BOLT FLANGE		pz	8
25	06022005	BOLT FLANGE		pz	1
26	06016005	NUT		pz	1
27	06350005	WASHER		pz	2
28	06942005	BOLT FLANGE		pz	2
29	06946005	CLAMP		pz	1
30	06947005	BOLT BUTTON HEAD		pz	1
31	08253005	CLAMP	XXF	pz	1
31	08522005	CLAMP	XEF	pz	1
32	06947005	BOLT BUTTON HEAD		pz	1
33	06949005	FASCETTA		pz	1
34	07327005	SUPPORTO POSTERIORE ALTO 1		pz	1

#	Code	Description	Specification	UM	Qty
35	07328005	SUPPORTO POSTERIORE ALTO 2		pz	1
36	06951005	RIVET BLIND		pz	1
37	06952005	GOMMINO TELAIO 1		pz	1
38	06953005	DAMPER LOCATING 2		pz	2
39	06954005	GOMMINO TELAIO 3		pz	2
40	08531005	PEDANA SINISTRA		pz	1
41	08532005	PEDANA DESTRA		pz	1
42	06340005	SPRING, TORSION	XXF	pz	1
42	07083005	SPRING, TORSION	XEF	pz	1
43	06341005	SPRING, TORSION		pz	1
44	06342005	PIN CLEVIS		pz	2
45	06343005	WASHER PLATE		pz	2
46	06344005	PIN COTTER		pz	2
47	07084005	STAND SIDE	XEF	pz	1
48	08562005	MOLLA CAVALLETTO XEF ESTERNA	XEF	pz	1
49	07086005	HOSE (L70)	XEF	pz	1
50	07087005	BOLT,HEX. SOCKET BUTTON	XEF	pz	1
50	07668005	SIDE STAND RETURN PIN XE	XEF	pz	1
51	07088005	COLLAR	XEF	pz	1
52	07089005	LINK SIDE STAND	XEF	pz	1
53	08152005	KICKSTAND BAND	XEF	pz	1
54	07420005	SPRING	XEF	pz	1
55	07553005	DIISTANZIALE 4	XXF	pz	1
56	06940005	SUPPORTO ANTERIORE BASSO 2	XEF	pz	2
56	07550005	DIISTANZIALE 1	XXF	pz	1
57	06940005	SUPPORTO ANTERIORE BASSO 2	XEF	pz	2
57	07551005	DIISTANZIALE 2	XXF	pz	1
58	07552005	DIISTANZIALE 3	XXF	pz	1

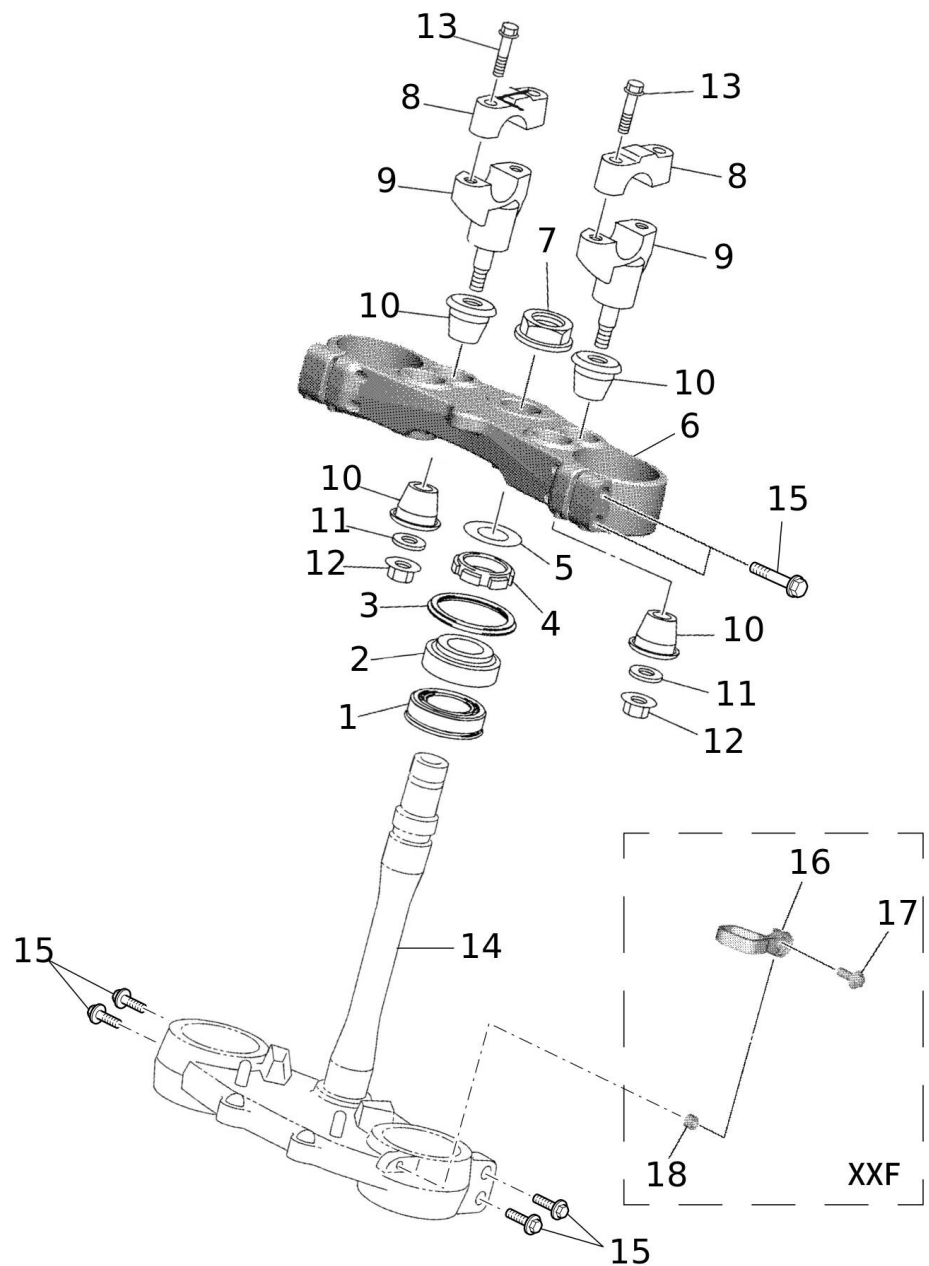


#	Code	Description	Specification	UM	Qty
1	06980005	FORCELLONE	XXF	pz	4
1	08540005	FORCELLONE	XEF	pz	2
2	06034005	BEARING		pz	2
3	06035005	BEARING		pz	2
4	06036005	OIL SEAL		pz	2
5	06037005	OIL SEAL		pz	2
6	06981005	COLLAR		pz	1
7	06984005	COLLAR		pz	3
8	06985005	SEAL GUARD		pz	1
9	06041005	SCREW		pz	1
10	06042005	SUPPORT CHAIN		pz	2
11	06043005	COVER THRUST		pz	2
12	06044005	VITE M6X50 (T.F. 20) TE FLANGIATA		pz	1
13	06625005	NUT FLANGE		pz	1
14	06617005	BOLT FLANGE DEEP RECESS		pz	1
15	06986005	SHAFT PIVOT		pz	1
16	06048005	NUT SELF-LOCKING		pz	1
17	06049005	WASHER PLATE		pz	4
18	06987005	ARM RELAY		pz	4
19	06051005	BEARING		pz	2
20	06052005	OIL SEAL		pz	4
21	06988005	COLLAR		pz	4
22	06054005	WASHER		pz	1
23	06055005	WASHER		pz	2
24	06989005	ROD CONNECTING		pz	2
25	06051005	BEARING		pz	1
26	06058005	OIL SEAL		pz	1
27	06059005	COLLAR		pz	2
28	06990005	SHAFT 1		pz	3
29	06991005	SHAFT 2		pz	3
30	06062005	WASHER		pz	1
31	06063005	NUT SELF-LOCKING		pz	1
32	06253005	PULLER, CHAIN 1	XEF	pz	2
32	08283005	PULLER, CHAIN 1	XXF	pz	1
33	06254005	PULLER CHAIN 2	XEF	pz	2
33	08284005	PULLER CHAIN 2	XXF	pz	1
34	06255005	BOLT		pz	1
35	05627005	NUT		pz	1
36	09099005	KIT CUSCINETTI-PARAOLI LEVERAGGI		pz	1

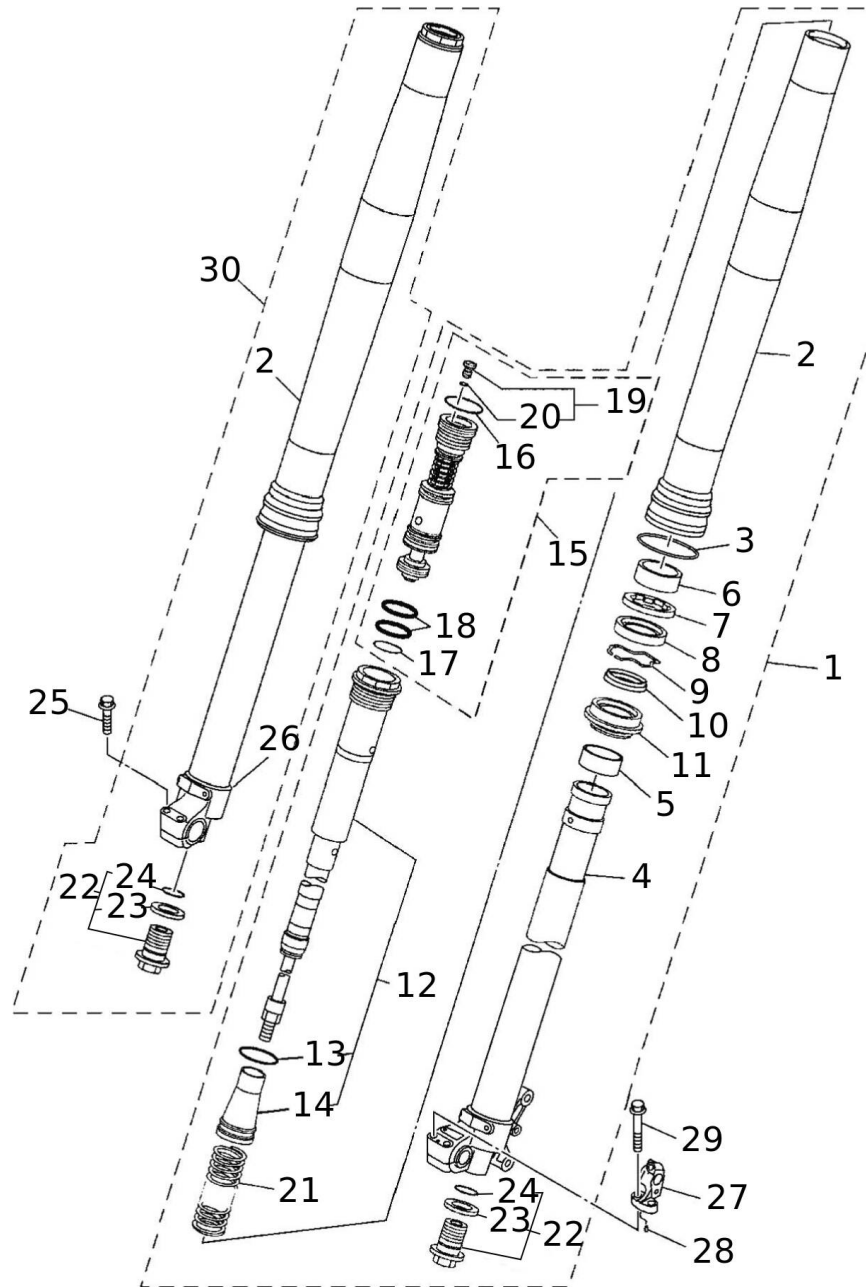


#	Code	Description	Specification	UM	Qty
1	07330020	SHOCK ABSORBER ASSY, REAR	XEF	pz	1
1	07566020	AMMORTIZZATORE POST XXF450	XXF	pz	1
2	09387001	DAMPER SUB ASSY	XEF	pz	1
2	09388001	DAMPER SUB ASSY	XXF	pz	1
3	06070005	BUSH SHOCK ABSORBER		pz	1
4	06071005	CIRCLIP		pz	1
5	06994005	GUIDE SPRING 3		pz	1
6	06995005	SEAT SPRING UPPER		pz	1
7	06089005	NUT SELF-LOCKING		pz	1
8	07141005	SPRING (K=52 BLACK)	Accessory	pz	1
8	07142005	SPRING (K=54 BLACK)	Accessory	pz	1
8	07143005	SPRING (K=56 BLACK)	STD XEF	pz	1
8	07144005	SPRING (K=58 BLACK)	STD XXF	pz	1
8	07145005	SPRING (K=60 BLACK)	Accessory	pz	1
8	07146005	SPRING (K=50 BLACK)	Accessory	pz	1
8	07147005	SPRING (K=48 BLACK)	Accessory	pz	1
9	06996005	GUIDE SPRING 1		pz	1
10	06997005	GUIDE SPRING 2		pz	1
11	06078005	COLLAR DISTANCE		pz	2
12	06079005	SEAL, DUST		pz	2
13	06080005	SEAL RING		pz	2
14	06081005	BEARING		pz	1
15	06082005	BEARING		pz	1
16	06083005	COLLAR DISTANCE		pz	2
17	06084005	SEAL, DUST		pz	2
18	06085005	BOLT		pz	1
19	06086005	NUT S/L FLANGE		pz	1
20	06017005	WASHER		pz	1
21	06088005	BOLT		pz	1





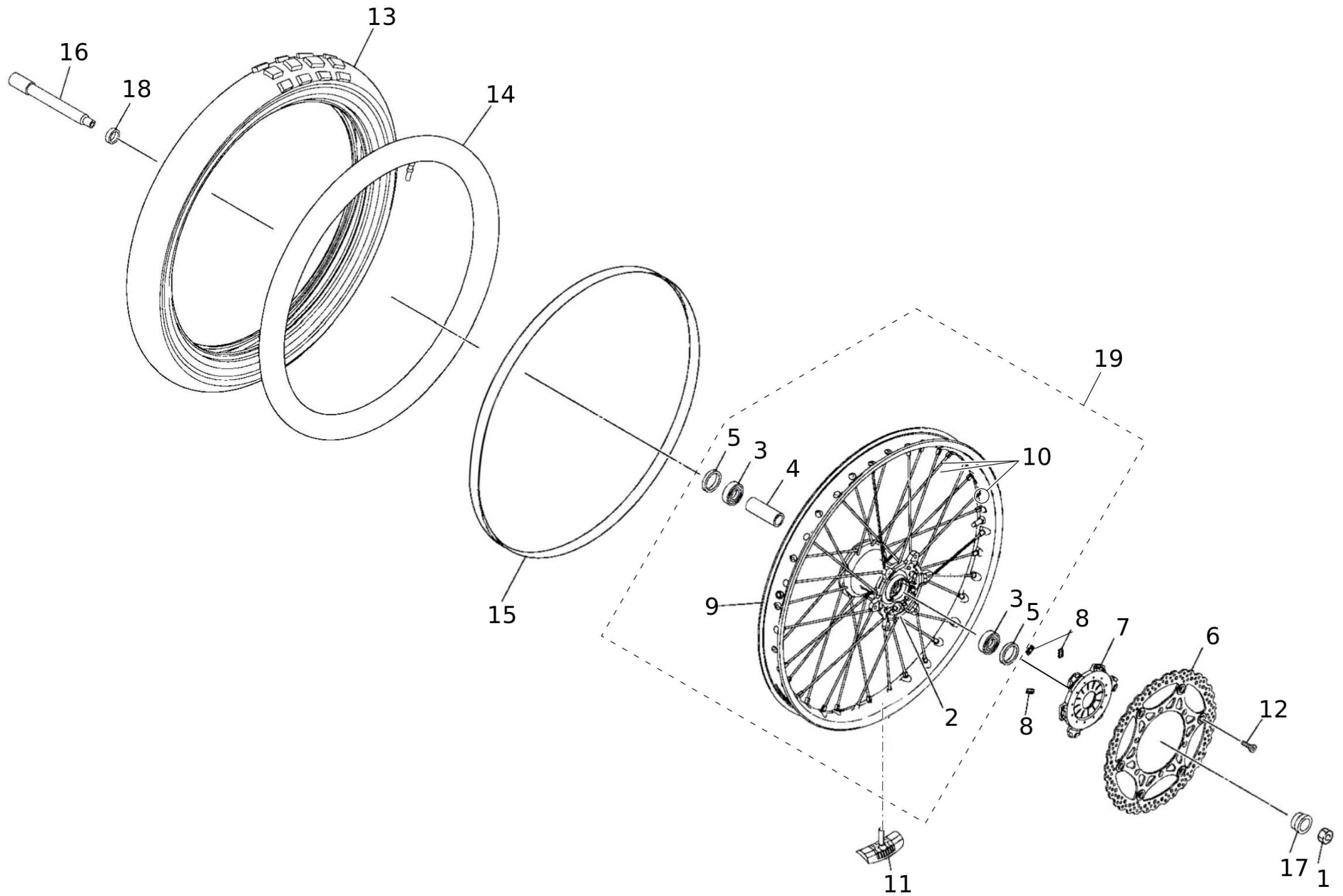
#	Code	Description	Specification	UM	Qty
1	06154005	BEARING		pz	1
2	06093005	BEARING		pz	1
3	06998005	COVER BALL RACE 2		pz	1
4	06999005	NUT		pz	1
5	06096005	WASHER PLATE (T1.0)	XXF	pz	1
5	07000005	WASHER, PLATE	XEF	pz	1
6	08536005	PIASTRA DI STERZO SUPERIORE		pz	1
7	07002005	NUT		pz	1
8	08533005	SUPPORTO SUPERIORE MANUBRIO		pz	2
9	08534005	SUPPORTO INFERIORE MANUBRIO		pz	2
10	07005005	HOLDER DAMPER		pz	4
11	07006005	WASHER PLATE		pz	2
12	06086005	NUT S/L FLANGE		pz	2
13	08541005	VITE M8x30 FLANGIA 14.5 (CH. 10) INCASSO PROFONDO		pz	4
14	07018005	UNDER BRACKET COMP.	XEF	pz	1
14	08267005	UNDER BRACKET COMP.	XXF	pz	1
15	07007005	BOLT FLANGE DEEP RECESS		pz	8
16	08257005	CLAMP	XXF	pz	1
17	05758005	BOLT FLANGE	XXF	pz	1
18	08258005	COLLAR	XXF	pz	1



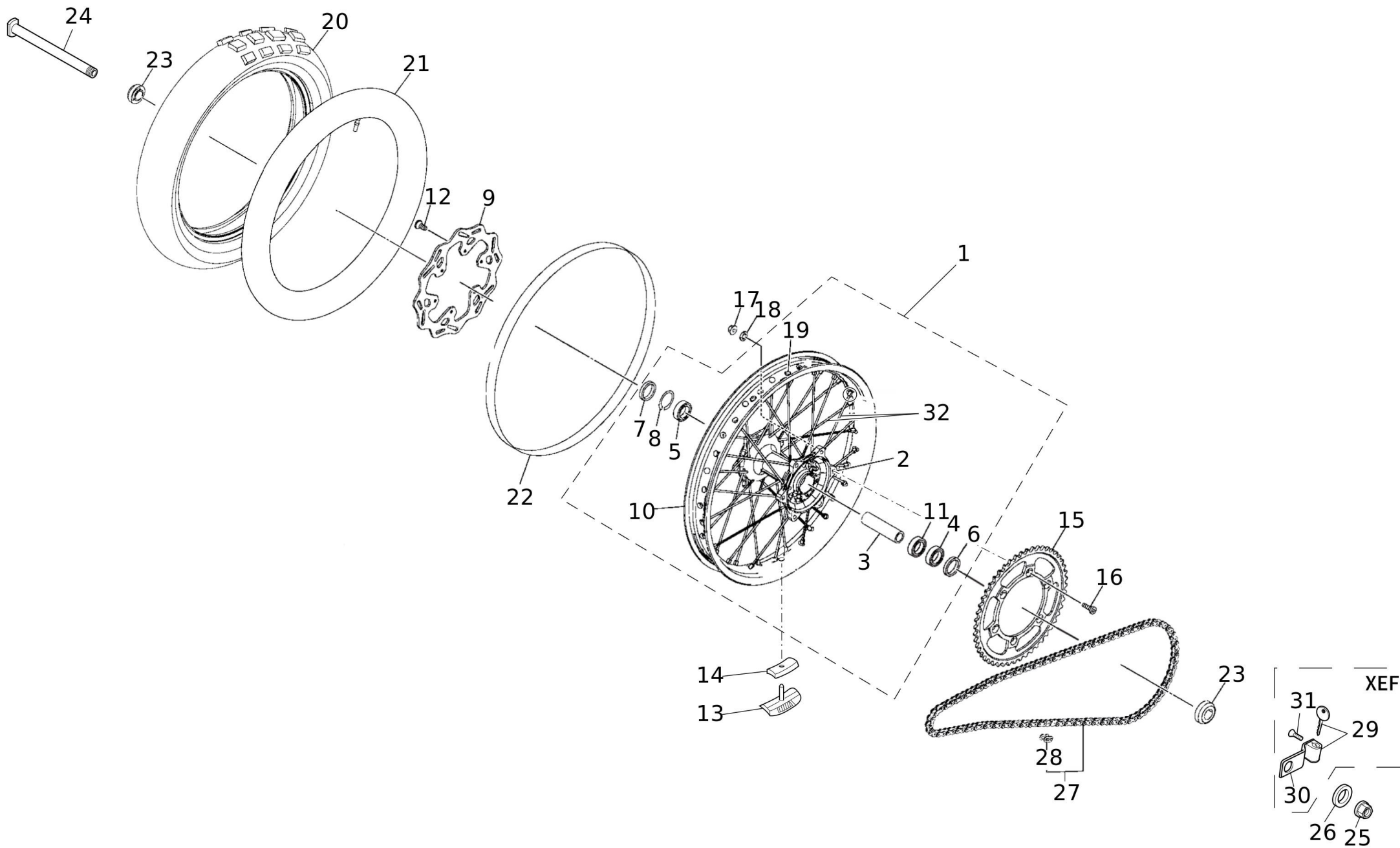
Fork

#	Code	Description	Specification	UM	Qty
1	09189020	FRONT FORK ASSY (L.H)	XXF	pz	1
1	09222020	FRONT FORK ASSY (L.H)	XEF	pz	1
2	07009005	.TUBE, OUTER		pz	2
3	06107005	CIRCLIP		pz	2
4	07010005	.INNERTUBECOMP. 2	XEF	pz	1
4	08260005	.INNERTUBECOMP. 2	XXF	pz	1
5	06109005	SPACER FRONT FORK		pz	2
6	06110005	METAL SLIDE 1		pz	2
7	06111005	WASHER, OIL SEAL		pz	2
8	07011005	OIL SEAL		pz	2
9	06113005	RING SNAP		pz	2
10	07012005	SCRAPER	XEF	pz	2
11	06114005	SEAL DUST		pz	2
12	09191005	CYLINDER COMP., FRONT FORK	XXF	pz	2
12	09224005	CYLINDER COMP., FRONT FORK	XEF	pz	2
13	09192005	O-RING		pz	2
14	07013005	SEAT SPRING UPPER		pz	2
15	09193005	VALVE COMP.	XXF	pz	2
15	09225005	VALVE COMP.	XEF	pz	2
16	09194005	O-RING		pz	2
17	06121005	O-RING		pz	2
18	09195005	O-RING		pz	4
19	06123005	AIR VALVE COMP.		pz	2
20	09198005	O-RING		pz	2
21	07015005	SPRING FRONT FORK (K=4.6)	STD XEF	pz	2
21	07148005	SPRING FRONT FORK (K=4.5)	Accessory	pz	2
21	07149005	SPRING FRONT FORK (K=4.7)	Accessory	pz	2
21	07150005	SPRING FRONT FORK (K=4.8)	Accessory	pz	2
21	07151005	SPRING FRONT FORK (K=4.9)	Accessory	pz	2
21	07152005	SPRING FRONT FORK (K=5.0)	STD XXF	pz	2
21	07153005	SPRING FRONT FORK (K=5.1)	Accessory	pz	2
21	07154005	SPRING FRONT FORK (K=4.1)	Accessory	pz	2
21	07155005	SPRING FRONT FORK (K=4.2)	Accessory	pz	2
21	07156005	SPRING FRONT FORK (K=4.3)	Accessory	pz	2
21	07157005	SPRING FRONT FORK (K=4.4)	Accessory	pz	2
22	09199005	VITE DI REGOLAZIONE		pz	2
23	06127005	GASKET		pz	2
24	09200005	GASKET		pz	2
25	07007005	BOLT FLANGE DEEP RECESS		pz	2
26	07017005	.INNER TUBE COMP.1	XEF	pz	1

#	Code	Description	Specification	UM	Qty
26	08263005	.INNER TUBE COMP.1	XXF	pz	1
27	07020005	BRACKET 1	XEF	pz	1
28	07021005	PIN DOWEL	XEF	pz	2
29	07007005	BOLT FLANGE DEEP RECESS	XXF	pz	2
29	07022005	BOLT FLANGE DEEP RECESS	XEF	pz	2
30	09201020	FRONT FORK ASSY (R.H)	XXF	pz	1
30	09226005	FRONT FORK ASSY (R.H)	XEF	pz	1



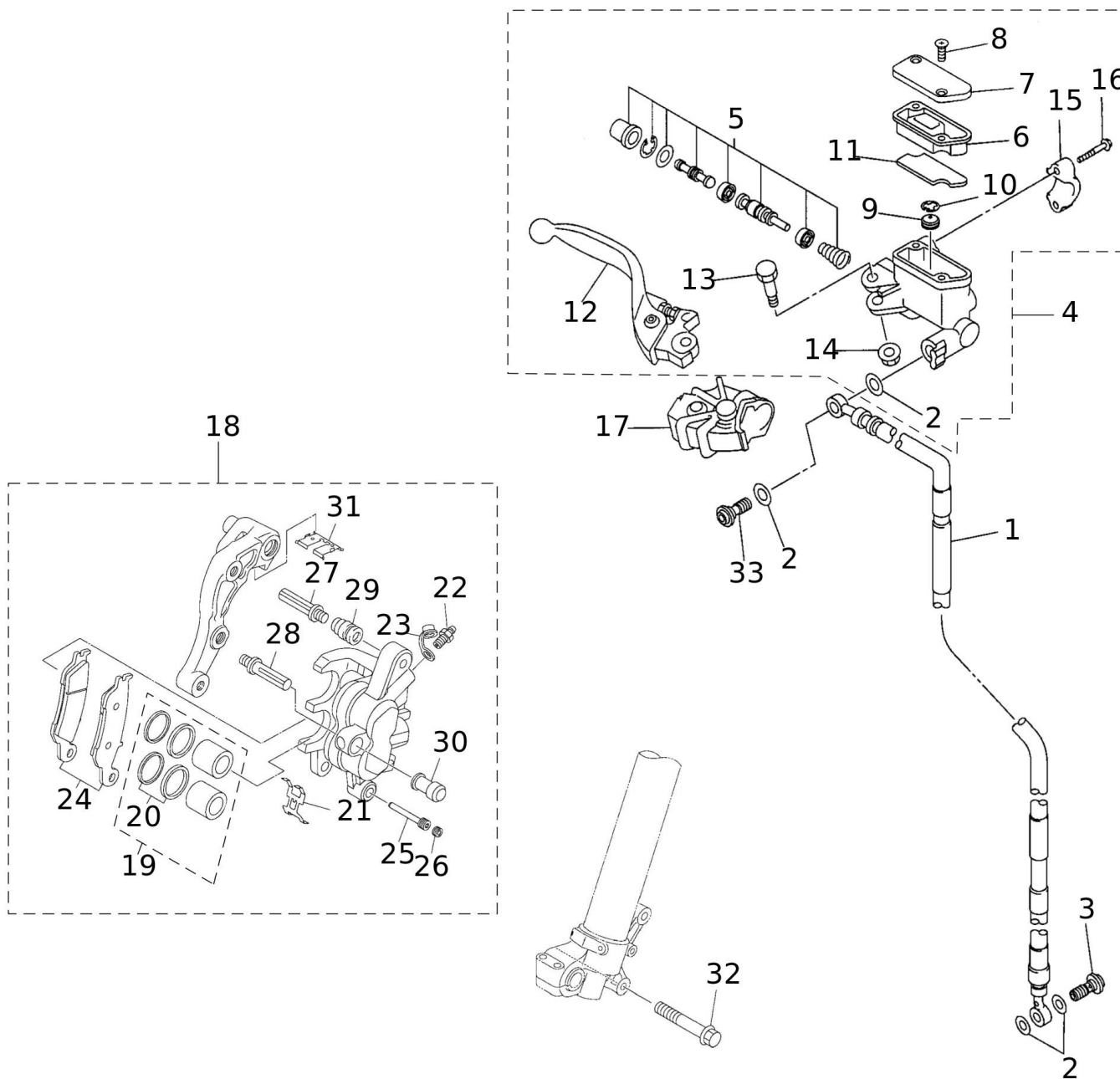
#	Code	Description	Specification	UM	Qty
1	07057005	NUT		pz	1
2	08154005	HUB FRONT		pz	1
3	07048005	BEARING		pz	2
4	07049005	SPACER BEARING		pz	1
5	07050005	OIL SEAL		pz	2
6	07547005	GRUPPO DISCO FRENO	XXF	pz	1
6	08424005	FR. BRAKE DISK ASSY	XEF	pz	1
7	07058005	ROTOR SENSOR	XEF	pz	1
8	07059005	GROMMET	XEF	pz	3
9	08131005	RIM (1.60-21)	XEF	pz	1
9	08548005	RIM (1.60-21)	XXF	pz	1
10	06201005	SPOKE SET FRONT		pz	1
11	06205005	SPACER BEAD		pz	1
12	06212005	SCREW COUNTERSUNK		pz	6
13	08438005	PNEUMATICO 80/100-21 MX32 MID SOFT	XXF	pz	1
13	08441005	TIRE	XEF	pz	1
14	00234005	INNER TUBE-FRONT 21" CASA		pz	1
15	07531005	FLAP R21 1430 X 22		pz	1
16	08530005	PERNO RUOTA ANTERIORE		pz	1
17	07052005	COLLAR WHEEL	XEF	pz	1
17	08274005	COLLAR WHEEL	XXF	pz	1
18	07053005	COLLAR WHEEL		pz	1
19	09367020	CERCHIO RAGGIATO ANT XEF 250 MY22	XEF	pz	1
19	09422020	CERCHIO RAGGIATO ANT XXF 450	XXF	pz	1



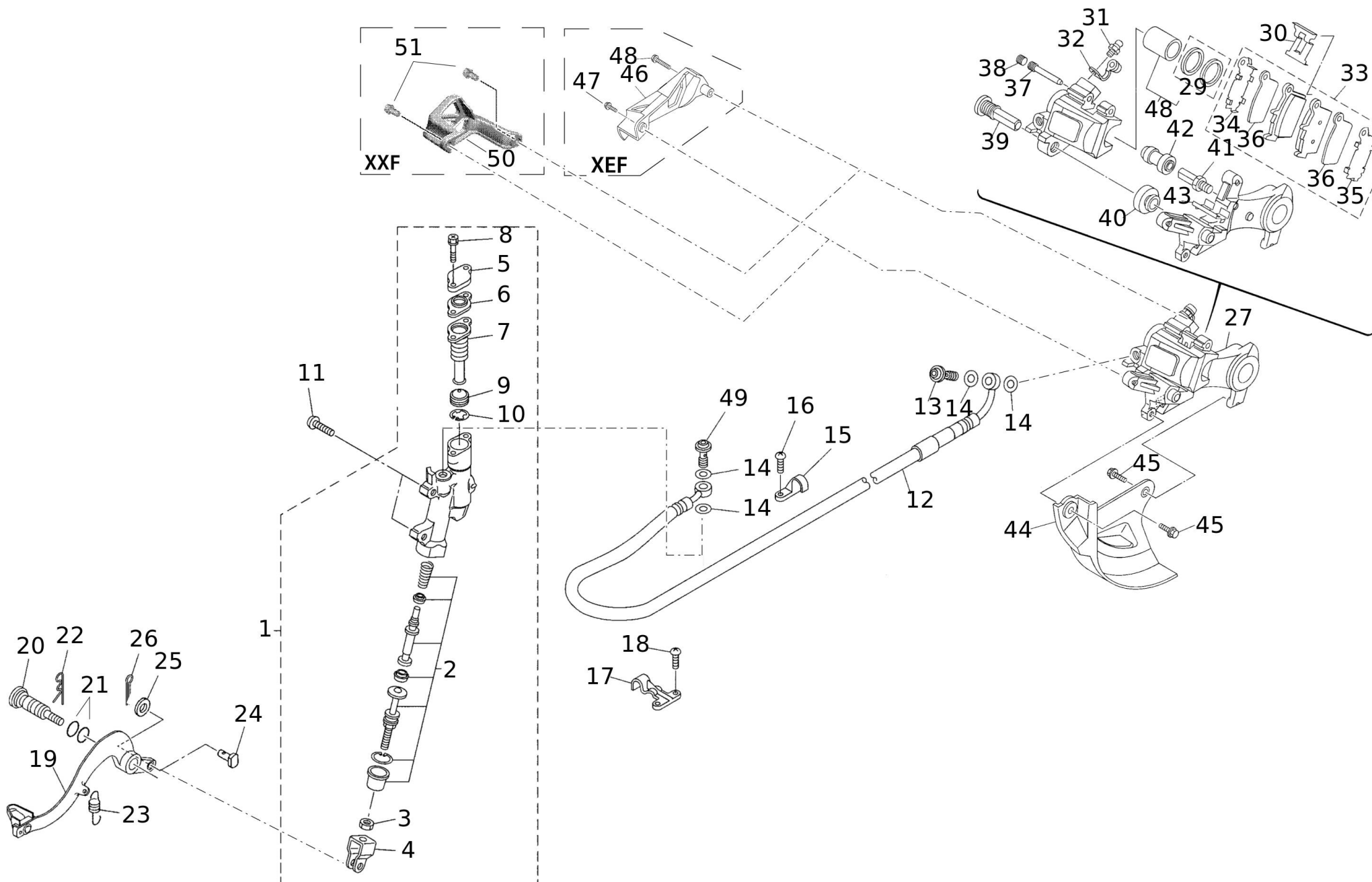


#	Code	Description	Specification	UM	Qty
1	09061020	RR. RIM XE 125 ASSY	XEF	pz	1
1	09423020	CERCHIO RAGGIATO POST XXF 450	XXF	pz	1
2	06228005	MOZZO POSTERIORE	XEF	pz	1
2	08275005	MOZZO POSTERIORE	XXF	pz	1
3	06229005	SPACER, BEARING	XEF	pz	1
3	08276005	SPACER, BEARING	XXF	pz	1
4	06230005	BEARING	XEF	pz	1
4	08277005	BEARING	XXF	pz	1
5	06231005	BEARING	XEF	pz	1
5	08277005	BEARING	XXF	pz	1
6	06232005	OIL SEAL	XEF	pz	1
6	08030005	OIL SEAL	XXF	pz	1
7	06233005	OIL SEAL	XEF	pz	1
7	08030005	OIL SEAL	XXF	pz	1
8	06234005	CIRCLIP	XEF	pz	1
8	08279005	CIRCLIP	XXF	pz	1
9	06270005	DISCO FRENO POSTERIORE 2	XEF	pz	1
9	07548005	DISCO FRENO POSTERIORE 2	XXF	pz	1
10	08132005	RIM (2.15-18)	XEF	pz	1
10	08549005	CERCHIO (2.15-19) NERO	XXF	pz	1
11	08277005	BEARING	XXF	pz	1
12	06212005	SCREW COUNTERSUNK		pz	6
13	06267005	SPACER BEAD		pz	1
14	06241005	DAMPER SUB ASSY		pz	1
15	06242005	SPROCKET DRIVEN (48T)	XXF	pz	1
15	06243005	SPROCKET DRIVEN (47T)	XXF	pz	1
15	06247005	SPROCKET DRIVEN (52T)	XXF	pz	1
15	07060005	SPROCKET DRIVEN (51T)	XEF	pz	1
15	07061005	SPROCKET DRIVEN (48T)	XEF	pz	1
15	07062005	SPROCKET DRIVEN (50T)	XEF	pz	1
15	07063005	SPROCKET DRIVEN (52T)	XEF	pz	1
15	07594005	CORONA GOMMATA 520 Z48	STD XEF	pz	1
15	08468001	CORONA POST 51D MY22	XXF	pz	1
15	08696005	CORONA POST Z 50 MY22	XXF	pz	1
15	08697005	CORONA POST 49D MY22	STD XXF	pz	1
16	06248005	BOLT		pz	6
17	06249005	NUT SELF-LOCKING		pz	6
18	06014005	WASHER PLATE		pz	6
19	06251005	GROMMET		pz	1
20	08440005	PNEUMATICO 110/90-19 MX32 MID SOFT	XXF	pz	1

#	Code	Description	Specification	UM	Qty
20	08485005	PNEUMATICO 140/80-18 METZELER 6 DAYS	XEF	pz	1
21	08453005	CAMERA ARIA 110/90-19 130/70-19	XXF	pz	1
21	08454005	INNER TUBE	XEF	pz	1
22	07529005	FLAP R19 1370 X 25	XXF	pz	1
22	07530005	FLAP R18 1290 X 27	XEF	pz	1
23	07586005	SEAL, DUST	XXF	pz	2
23	07596005	COLLARINO	XEF	pz	2
24	06257005	PERNO RUOTA POSTERIORE	XEF	pz	1
24	08285005	PERNO RUOTA POSTERIORE	XXF	pz	1
25	06258005	NUT SELF-LOCKING	XEF	pz	1
25	08286005	NUT, SELF-LOCKING	XXF	pz	1
26	06259005	WASHER PLATE	XEF	pz	1
26	08287005	WASHER, PLATE	XXF	pz	1
27	06268005	CHAIN 520 114 LINKS WITH MASTER JOINT	XEF	pz	1
27	09379001	CATENA DID 520 114 MAGLIE APERTA	XXF	pz	1
28	06269005	JOINT CHAIN(DID520MXV5 ZJ)	XEF	pz	1
28	08713005	JOINT, CHAIN(DID520DM G&B-RJ)	XXF	pz	1
29	07386005	REAR SPROCKET LOCK XE/XEF	XEF	pz	1
30	07393005	REAR SPROCKET LOCK SUPPORTING BRACKET	XEF	pz	1
31	07444005	M6X12 SCREW COUNTERSUNK	XEF	pz	2
32	06263005	SPOKE SET REAR	XEF	pz	1
32	09135005	SET RAGGI POSTERIORE 19"	XXF	pz	1

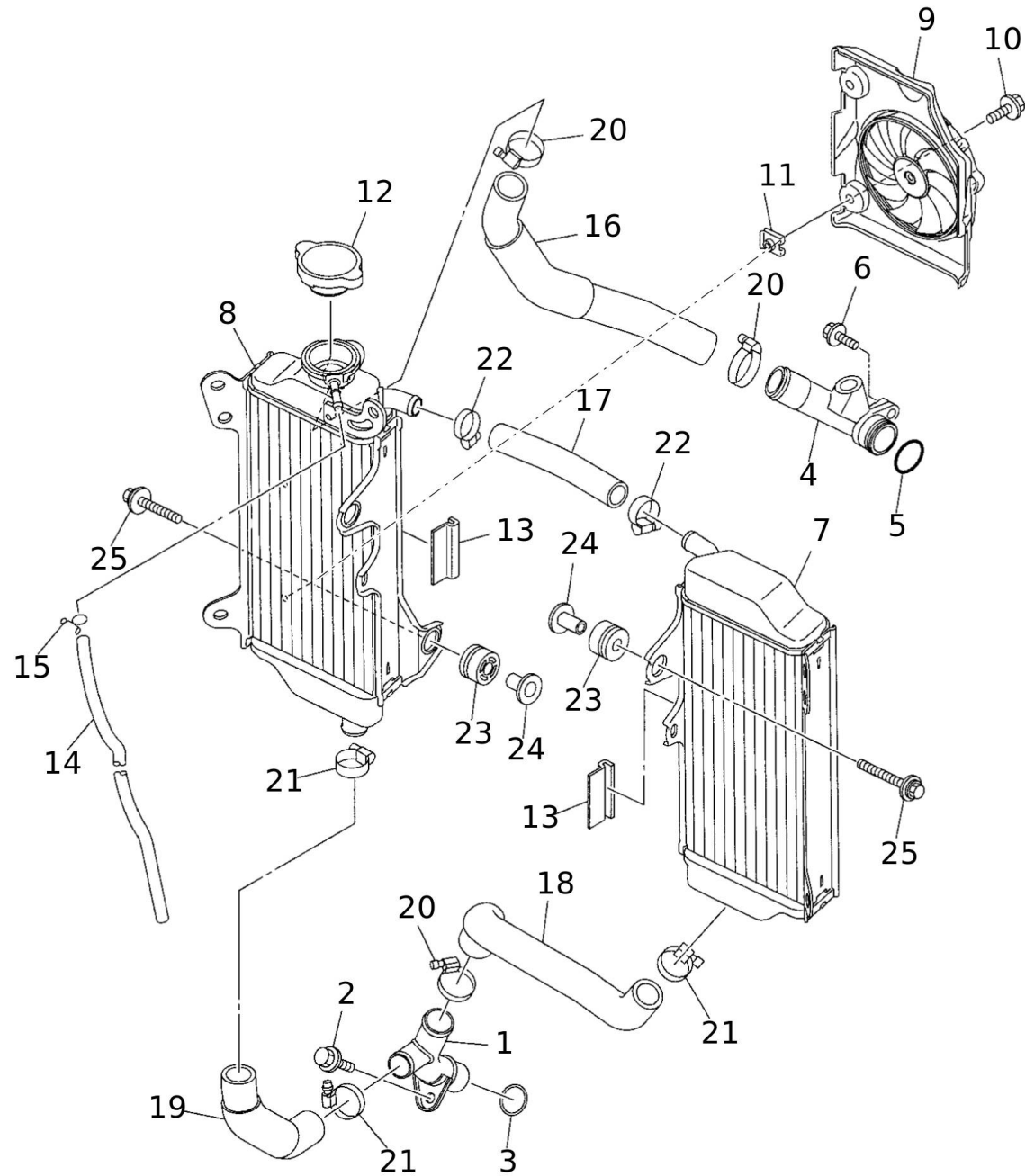


#	Code	Description	Specification	UM	Qty
1	07077005	TUBO FRENO 1	XEF	pz	1
1	08291005	TUBO FRENO 1	XXF	pz	1
2	06313005	GASKET		pz	4
3	06314005	BOLT, UNION		pz	1
4	09075020	FR. MASTER CYLINDER ASSY XX MY22		pz	1
5	06316005	CYLINDER KIT MASTER		pz	1
6	06317005	DIAFRAMMA SERBATOIO		pz	1
7	06318005	CAP RESERVOIR		pz	1
8	06319005	SCREW FLAT HEAD		pz	2
9	06320005	SEPARATOR ASSY		pz	1
10	06321005	CIRCLIP		pz	1
11	06322005	FLOAT RESERVOIR		pz	1
12	08740005	LEVA FRENO ANT.		pz	1
13	06324005	BOLT LEVER		pz	1
14	06325005	NUT WITH WASHER		pz	1
15	06326005	BRACKET MASTER CYLINDER		pz	1
16	06327005	BOLT FITTING		pz	2
17	06328005	COVER HANDLE LEVER 1		pz	1
18	08428005	ASSIEME PINZA FRENO ANT		pz	1
19	08426001	PISTON ASSY CALIPER		pz	1
20	08460001	CALIPER SEAL KIT		pz	1
21	08462001	SUPPORT PAD		pz	1
22	06217005	SCREW BLEED		pz	1
23	06218005	CAP		pz	1
24	08739005	PASTIGLIE FRENO ANT		pz	1
25	06220005	PIN PAD		pz	1
26	06221005	PLUG		pz	1
27	06222005	SCREW, PAN HEAD		pz	1
28	06223005	PIN		pz	1
29	06224005	BOOT CALIPER		pz	1
30	06225005	BOOT 2		pz	1
31	06226005	SUPPORT PAD		pz	1
32	06227005	BOLT FLANGE		pz	2
33	03259005	STOP SWITCH	XEF	pz	1
33	06314005	BOLT, UNION	XXF	pz	1



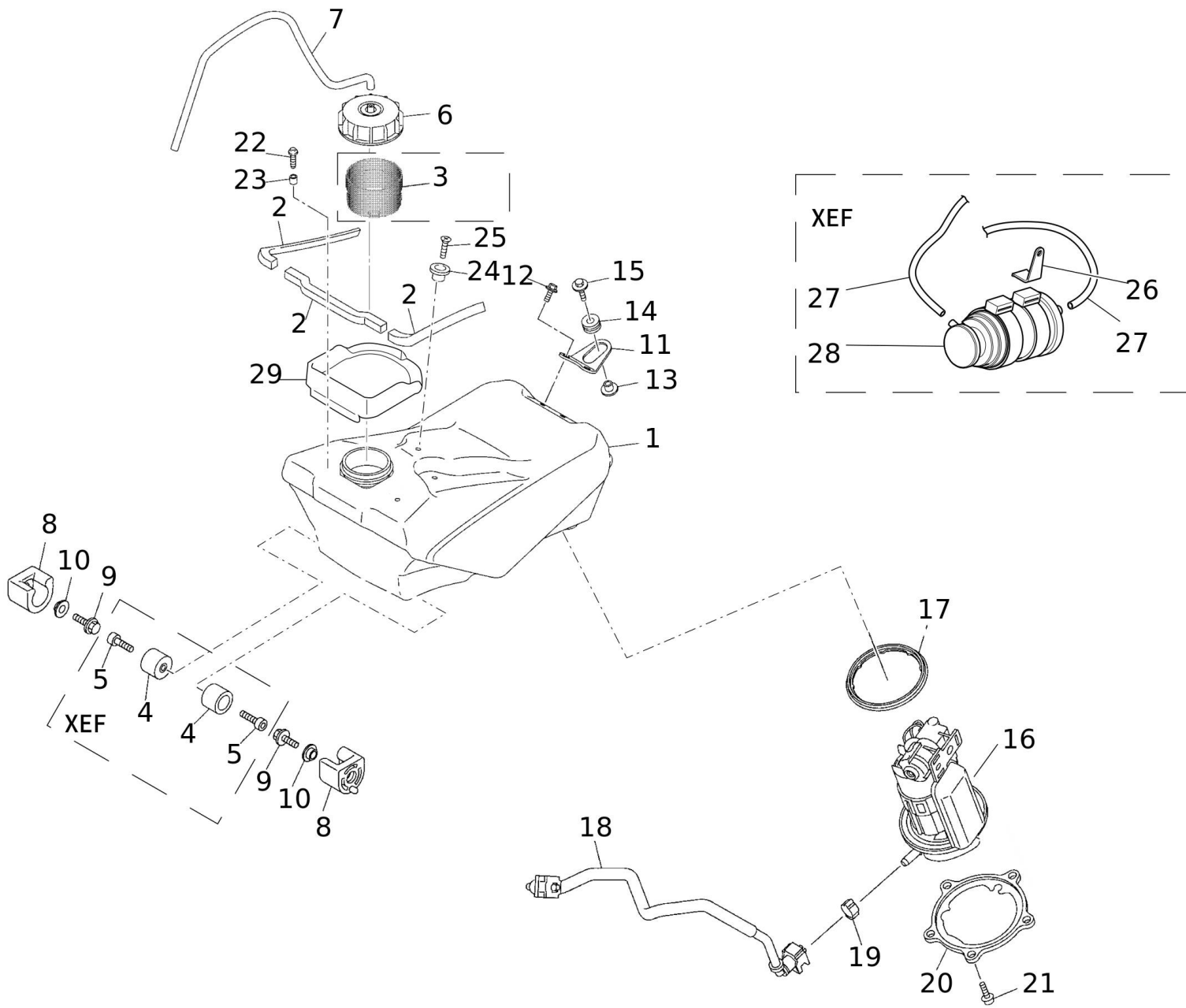
#	Code	Description	Specification	UM	Qty
1	07090020	RR. MASTER CYLINDER ASSY.		pz	1
2	06355005	CYLINDER KIT MASTER		pz	1
3	06356005	NUT		pz	1
4	06357005	JOINT		pz	1
5	06358005	CAP RESERVOIR		pz	1
6	06359005	PLATE DIAPHRAGM		pz	1
7	06360005	DIAFRAMMA SERBATOIO		pz	1
8	06361005	BOLT		pz	2
9	06320005	SEPARATOR ASSY		pz	1
10	06321005	CIRCLIP		pz	1
11	07091005	BOLT,HEX. SOCKET BUTTON		pz	2
12	06365005	TUBO FRENO 2	XEF	pz	1
12	07544005	TUBO FRENO 2	XXF	pz	1
13	06314005	BOLT, UNION		pz	1
14	06313005	GASKET		pz	4
15	06368005	HOLDER BRAKE HOSE		pz	1
16	06369005	SCREW PAN HEAD		pz	2
17	06370005	HOLDER BRAKE HOSE 2		pz	1
18	06369005	SCREW PAN HEAD		pz	2
19	07337005	PEDAL BRAKE		pz	1
20	07079005	BOLT		pz	1
21	06332005	O-RING		pz	2
22	06333005	CIRCLIP		pz	1
23	07338005	SPRING, TENSION		pz	1
24	06335005	PIN CLEVIS		pz	1
25	06336005	WASHER PLATE		pz	1
26	06337005	PIN COTTER		pz	1
27	07065020	CALIPER ASSY, REAR 2	XEF	pz	1
27	08289005	CALIPER ASSY, REAR 2	XXF	pz	1
28	06273005	PISTON ASSY CALIPER		pz	1
29	06274005	CALIPER SEAL KIT		pz	1
30	06275005	SUPPORT PAD		pz	1
31	06217005	SCREW BLEED		pz	1
32	06218005	CAP		pz	1
33	06277005	BRAKE PAD KIT 2	XXF	pz	1
33	07066020	BRAKE PAD KIT 2	XEF	pz	1
34	06278005	SHIM CALIPER		pz	1
35	06279005	SHIM CALIPER		pz	1
36	06280005	INSULATOR HEAT		pz	2
37	06281005	PIN PAD		pz	1

#	Code	Description	Specification	UM	Qty
38	06221005	PLUG		pz	1
39	06283005	PIN		pz	1
40	06224005	BOOT CALIPER		pz	1
41	06285005	PIN		pz	1
42	06225005	BOOT 2		pz	1
43	06287005	HOLDER		pz	1
44	06288005	PROTECTOR DISK BRAKE		pz	1
45	06722005	BOLT FLANGE DEEP RECESS		pz	2
46	06290005	PROTEZIONE PINZA	XEF	pz	1
47	06722005	BOLT FLANGE DEEP RECESS	XEF	pz	1
48	08542005	BOLT FLANGE DEEP RECESS	XEF	pz	1
49	02112005	STOP SWITHC (BRAKING)	XEF	pz	1
50	07543005	PROTEZIONE PINZA	XXF	pz	1
51	06722005	BOLT FLANGE DEEP RECESS	XXF	pz	2

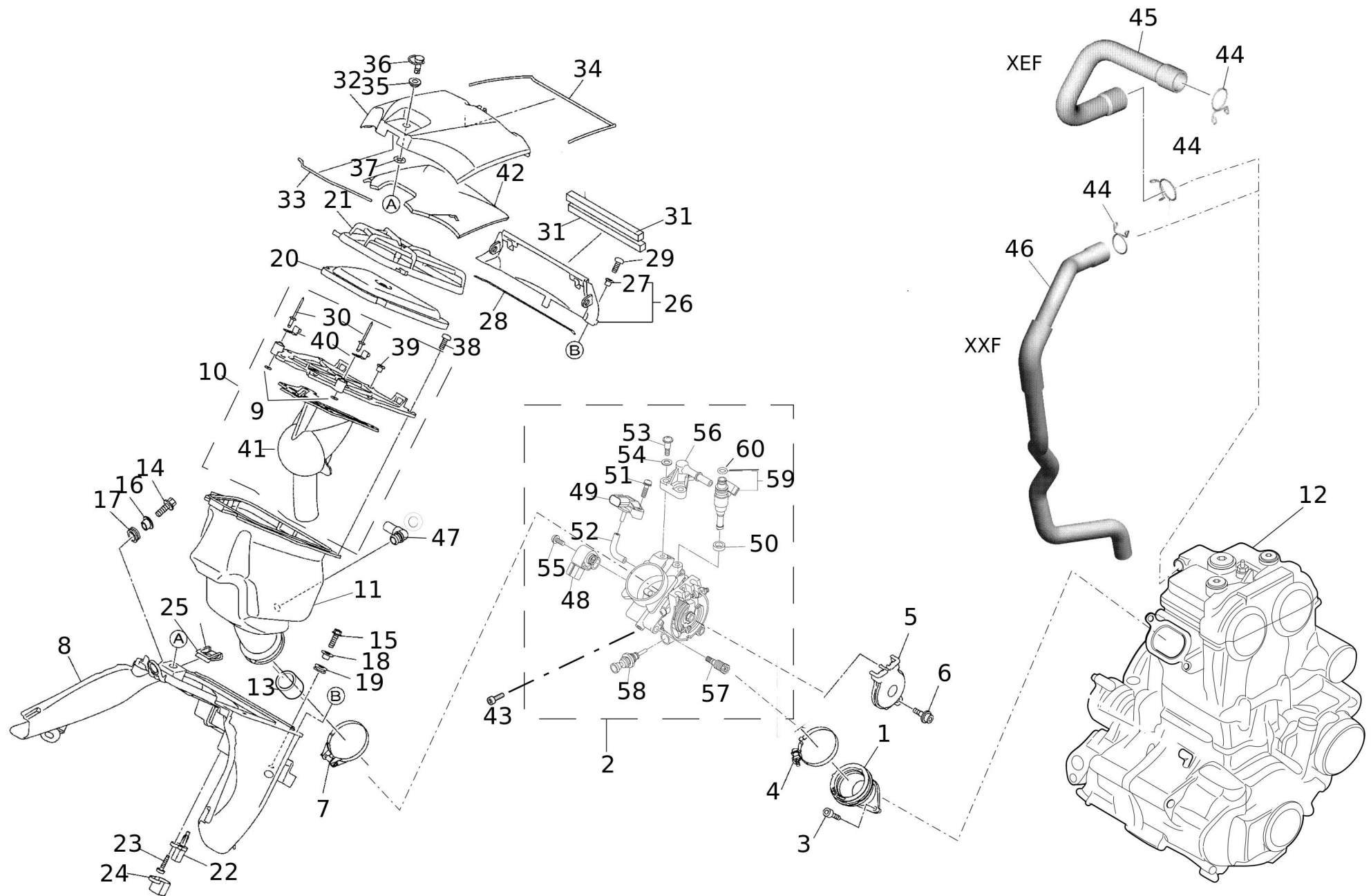




#	Code	Description	Specification	UM	Qty
1	07224005	RACCORDO 2		pz	1
2	06722005	BOLT FLANGE DEEP RECESS		pz	1
3	06723005	O-RING		pz	1
4	09097005	RACCORDO		pz	1
5	07226005	O-RING		pz	1
6	06726005	BOLT FLANGE DEEP RECESS		pz	1
7	06727005	RADIATORE SX		pz	1
8	06728005	RADIATORE DX	XEF	pz	1
8	08214005	RADIATOR COMP	XXF	pz	1
9	06729005	BLOWER ASSY	XEF	pz	1
10	06730005	BOLT	XEF	pz	3
11	06731005	NUT 1	XEF	pz	3
12	06732005	CAP RADIATOR		pz	1
13	06733005	DAMPER RADIATOR		pz	2
14	05713005	TUBO FLESSIBILE VINILE		pz	1
15	05714005	CLIP		pz	1
16	07227005	HOSE 1	XEF	pz	1
16	07558005	HOSE 1	XXF	pz	1
17	06735005	TUBO 2	XXF	pz	1
18	07228005	HOSE 3		pz	1
19	07229005	TUBO 4	XEF	pz	1
19	07559005	TUBO 4	XXF	pz	1
20	05722005	HOSE CLAMP ASSY		pz	2
21	05724005	HOSE CLAMP ASSY		pz	3
22	05723005	HOSE CLAMP ASSY		pz	2
23	06738005	GROMMET		pz	4
24	05726005	COLLAR		pz	4
25	06739005	BOLT WITH WASHER		pz	4
26	07230005	HOSE CLAMP ASSY		pz	1

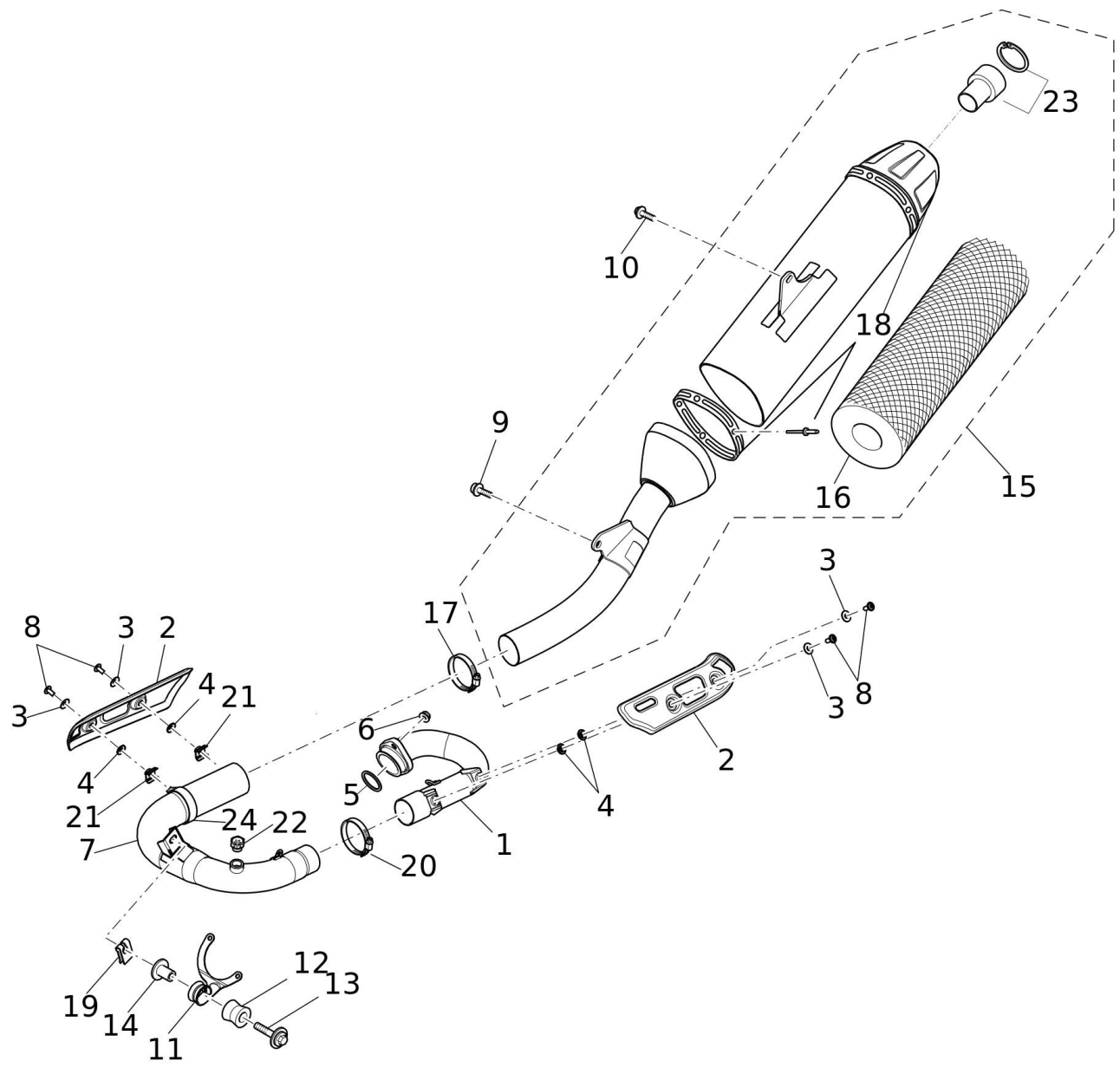


#	Code	Description	Specification	UM	Qty
1	07023005	FUEL TANK COMP.	XEF	pz	1
1	08268005	FUEL TANK COMP.	XXF	pz	1
2	06778005	DAMPER PLATE 6		pz	3
3	08269005	BOCCOLA TAPPO BENZINA	XXF	pz	1
4	07025005	BOSS	XEF	pz	2
5	07026005	BOLT, HEXAGON SOCKET HEAD	XEF	pz	2
6	07027005	CAP ASSY		pz	1
7	07028005	HOSE (L470)		pz	1
8	07029005	BRACKET FUEL TANK 1		pz	2
9	06726005	BOLT FLANGE DEEP RECESS		pz	2
10	07030005	COLLAR		pz	2
11	07031005	HOLDER		pz	1
12	06722005	BOLT FLANGE DEEP RECESS		pz	2
13	07032005	COLLAR		pz	1
14	07033005	GROMMET		pz	1
15	07034005	BOLT WITH WASHER		pz	1
16	07035020	FUEL PUMP COMP.	XEF	pz	1
16	08270005	ASSIEME POMPA BENZINA	XXF	pz	1
17	07038005	GASKET	XEF	pz	1
17	08271005	O-RING	XXF	pz	1
18	07041005	PIPE, FUEL 1	XEF	pz	1
18	08273005	PIPE, FUEL 1	XXF	pz	1
19	07042005	CLAMP 1		pz	1
20	07039005	FLANGIA POMPA BENZINA	XEF	pz	1
20	08272005	FLANGIA POMPA BENZINA	XXF	pz	1
21	07040005	BOLT HEXAGON SOCKET HEAD		pz	6
22	07044005	BOLT,HEX. SOCKET BUTTON		pz	2
23	07045005	COLLAR		pz	2
24	06186005	BRACKET SEAT		pz	1
25	07043005	SCREW COUNTERSUNK		pz	1
26	08118005	HOLDER	XEF	pz	1
27	04082005	TUBO COPOLAN UML GRIGIO 5X9 ROTOLI 200 M	XEF	cm	150
28	NC450-0151	CANISTER NC450	XEF	pz	1
29	07024005	MOLD, FUEL TANK		pz	1



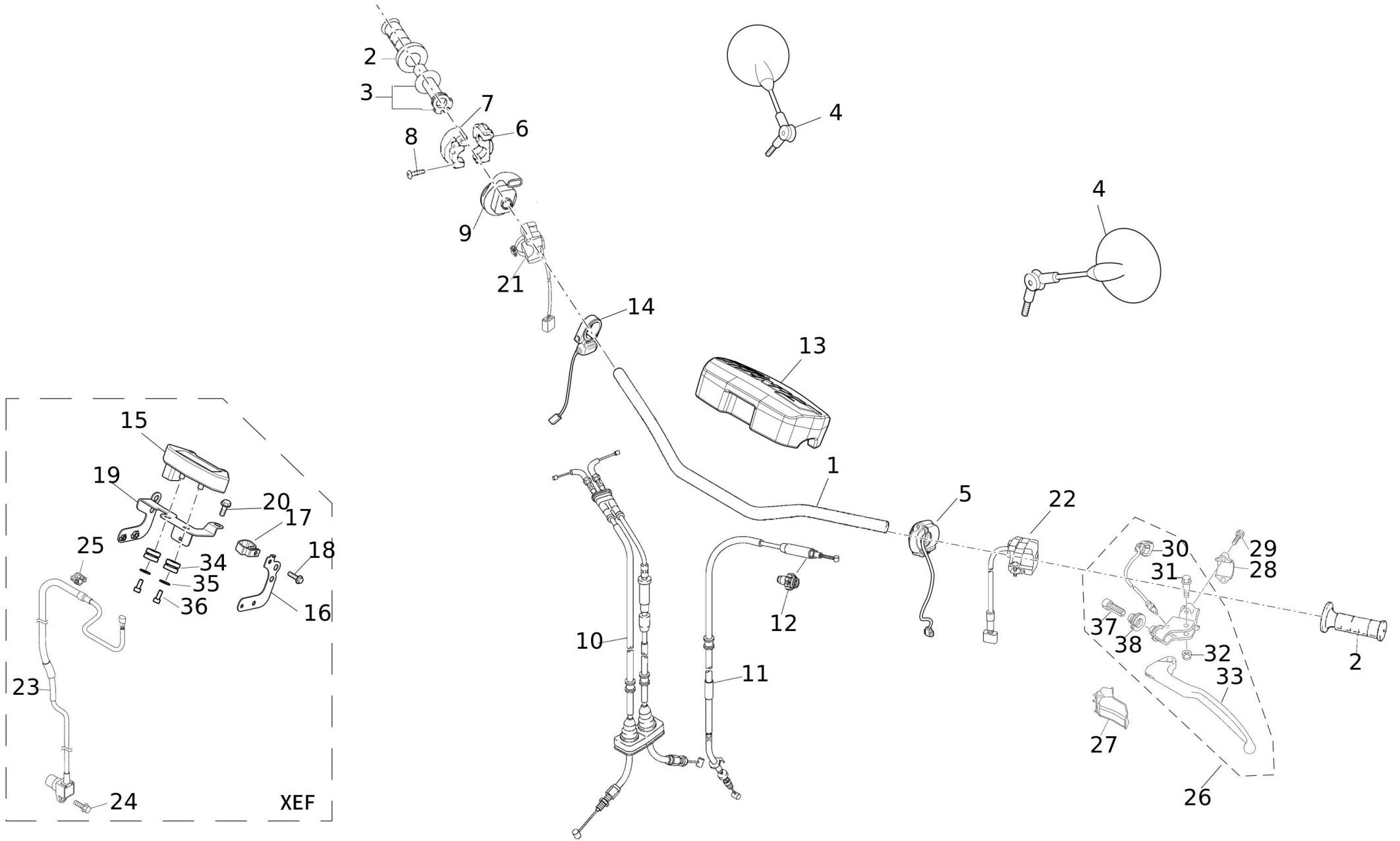
#	Code	Description	Specification	UM	Qty
1	07232005	INLET PIPE		pz	1
2	07236020	THROTTLE BODY ASSY	XE	pz	1
2	07567005	THROTTLE BODY ASSY	XXF	pz	1
3	06752005	VITE 6X20 TCEI5 FLANGIA 10		pz	2
4	06753005	HOSE CLAMP ASSY		pz	1
5	06754005	COVER 1		pz	1
6	06755005	BOLT HEXAGON SOCKET HEAD		pz	1
7	06756005	HOSE CLAMP ASSY		pz	1
8	06757005	CASE, AIR CLEANER 1		pz	1
9	06763005	WASHER, PLATE		pz	2
10	06759020	HOLDER GUIDE	XE	pz	1
10	08216005	HOLDER, GUIDE	XXF	pz	1
11	08670005	CASSA FILTRO XXF450	XXF	pz	1
11	09214005	JOINT, AIR CLEANER 1	XE	pz	1
12	07568005	MOTORE COMPLETO XXF450 4T MY22	XXF	pz	1
12	08520005	MOTORE COMPLETO XE450 4T MY22	XE	pz	1
13	08610005	STRIZIONE_ASPIRAZIONE_XE450	XE	pz	1
14	08367005	BOLT FLANGE		pz	1
15	06785005	BOLT FLANGE DEEP RECESS		pz	2
16	06772005	COLLAR		pz	1
17	06773005	GROMMET		pz	1
18	06774005	COLLAR		pz	2
19	06775005	GROMMET		pz	2
20	06765005	ELEMENT AIR CLEANER		pz	1
21	06766005	GUIDE		pz	1
22	06767005	SENSOR, AIR TEMPERATURE		pz	1
23	06768005	VITE PER PLASTICA 5X19 INTAGLIO A CROCE		pz	1
24	09295005	HOLDER		pz	1
25	06769005	PLATE, SPRING		pz	1
26	06770020	CAP CLEANER CASE 2		pz	1
27	06760005	COLLAR		pz	2
28	06771005	GASKET		pz	1
29	05815005	SCREW PAN HEAD		pz	2
30	06762005	RIVET BLIND (3.2X13.5 BLACK)		pz	2
31	06778005	DAMPER PLATE 6		pz	2
32	08199005	CAP CLEANER CASE 1		pz	1
33	06779005	GASKET		pz	1
34	06780005	GASKET		pz	1
35	06781005	COLLAR		pz	1
36	06782005	VITE SGANCIO RAPIDO		pz	1

#	Code	Description	Specification	UM	Qty
37	06783005	WASHER SPECIAL 1		pz	1
38	05815005	SCREW PAN HEAD		pz	7
39	06760005	COLLAR		pz	7
40	06761005	HINGE		pz	2
41	06764005	CHAMBER AIR	XEF	pz	1
42	06784005	DAMPER 1	XEF	pz	1
43	04859005	SCREW	XEF	pz	1
44	07239005	CLIP		pz	2
45	09216005	TUBO SFIATO	XEF	pz	1
46	09096005	TUBO SFIATO	XXF	pz	1
47	09215005	RACCORDO	XEF	pz	1
48	09095005	SENSORE ACCELEATORE		pz	1
49	06799005	SENSORE PRESSIONE		pz	1
50	06787005	GOMMINO INIETTORE		pz	1
51	06788005	VITE 5X15 CROCE FLANGIA CON RONDELLA		pz	1
52	06789005	RACCORDO		pz	1
53	06790005	VITE COLLARINO 5X20 (TF10)		pz	2
54	06791005	GASKET		pz	2
55	06792005	VITE 5X11 T25 FLANGIA 9 CON RONDELLA		pz	1
56	06793005	DELIVERY PIPE ASSY 1		pz	1
57	06794005	VITE DI REGOLAZIONE		pz	1
58	06795005	STARTER		pz	1
59	07237020	INJECTOR		pz	1
60	06797005	O-RING		pz	1



#	Code	Description	Specification	UM	Qty
1	08551005	COLLETTORE PRIMARIO SCARICO XXF 450	XXF	pz	1
1	08554005	COLLETTORE PRIMARIO SCARICO XEF 450	XEF	pz	1
2	07366005	BUCKLER		pz	2
3	05191005	MOLLA A TAZZA 15X5.2X0.4		pz	4
4	00340005	DISTANZIALE A T D6 X H8.5		pz	4
5	07241005	SEAL EXHAUST		pz	1
6	06808005	NUT FLANGE		pz	2
7	08552005	COLLETTORE SECONDARIO SCARICO XXF 450	XXF	pz	1
7	08555005	COLLETTORE SECONDARIO XEF 450	XEF	pz	1
8	00334005	VITE 5X12 TBB UNI 7380 FLANGIATA		pz	4
9	07483005	BOLT WITH WASHER	XEF	pz	1
9	08222005	BOLT, WITH WASHER	XXF	pz	1
10	08223005	BOLT WITH WASHER		pz	1
11	06813005	STAY EXHAUST PIPE 1		pz	1
12	06814005	DAMPER MUFFLER		pz	1
13	06815005	BOLT WITH WASHER		pz	1
14	06816005	COLLAR		pz	1
15	08550005	SILENZIATORE XXF 450 4T CROSS	XXF	pz	1
15	08553005	SILENZIATORE XEF 450 4T ENDURO	XEF	pz	1
16	08937005	FONOASSORBENTE SILENZIATORE XXF450	XXF	pz	1
16	09318005	FONOASSORBENTE SILENZIATORE XEF450	XEF	pz	1
17	08745005	FASCETTA STRINGI TUBO Ø47/51mm+BUSS M5		pz	1
18	09424020	KIT FASCETTE+RIVETTI SILENZIATORE XEF	XEF XEF	pz	1
18	09425020	KIT FASCETTE+RIVETTI SILENZIATORE XXF	XXF XXF	pz	1
19	08743005	CLIP M8 SCARICO 4T		pz	1
20	08744005	FASCETTA STRINGI TUBO Ø43/47mm		pz	1
21	08487005	LOW FOLDED CAGE		pz	2
22	07361005	CAP	Accessory XEF XEF	pz	1
23	08828020	KIT DB-KILLER RACING XEF450	XEF	pz	1
23	09317020	KIT DB-KILLER RACING XXF450	XXF	pz	1
24	08484005	CLAMP		pz	1



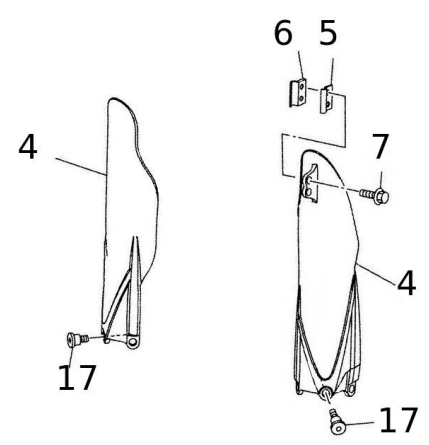
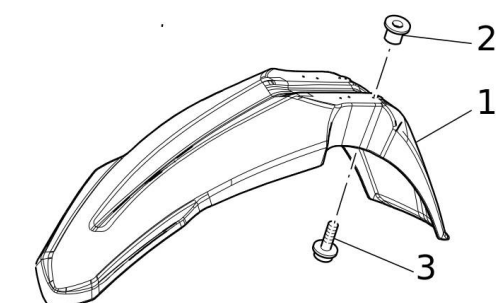
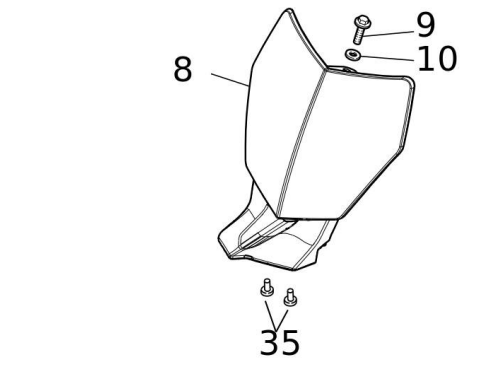
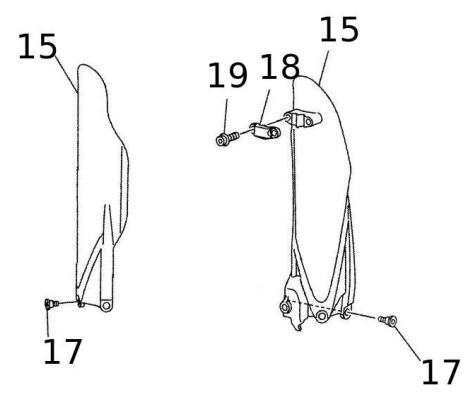
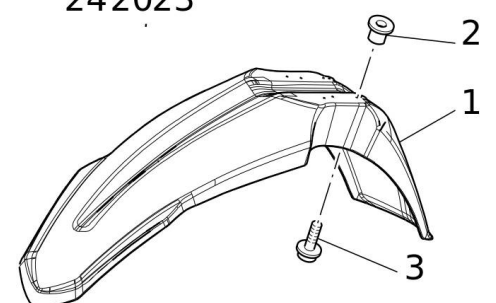
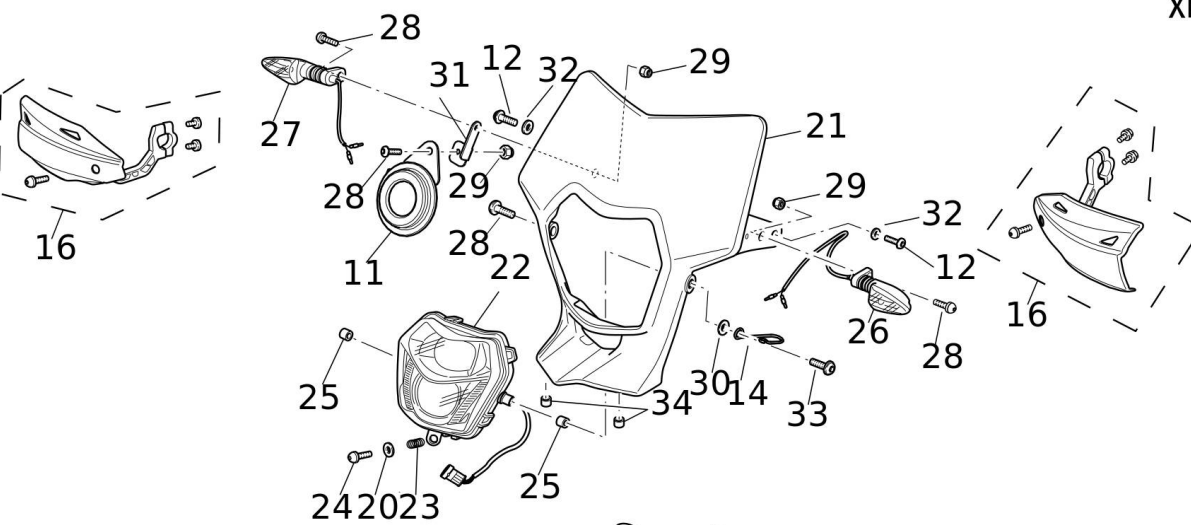


#	Code	Description	Specification	UM	Qty
1	06293005	HANDLEBAR		pz	1
1	07067005	HANDLEBAR	XEF	pz	1
2	07437005	OFF-ROAD KNOB PAIR		pz	1
3	08559020	CONTROL SET		pz	1
4	07407005	REAR-VIEW MIRROR E-141 WITH IRON CLAMP	XEF	pz	2
5	08577005	PULSANTE DOPPIA MAPPATURA OFF-ROAD	XXF XXF	pz	1
6	07070005	CAP GRIP UPPER		pz	1
7	07071005	CAP GRIP UNDER		pz	1
8	07072005	SCREW PAN HEAD		pz	2
9	07073005	COVER CAP GRIP		pz	1
10	07336005	THROTTLE CABLE ASSY		pz	1
11	08290005	WIRE, CLUTCH	XXF XXF	pz	1
11	08538005	WIRE, CLUTCH	XEF	pz	1
12	06310005	BOOT CABLE	XXF	pz	1
12	07076005	BOOT CABLE	XEF	pz	1
13	07532005	PROTECTOR, HANDLEBAR		pz	1
14	08582005	TASTO MODE XXF	XXF	pz	1
15	07731005	ODOMETER	XEF	pz	1
16	07422005	SUPPORT	XEF XEF	pz	1
17	07379005	CLAMP	XEF XEF	pz	1
18	07380005	BOLT, WITH WASHER	XEF XEF	pz	1
19	07365005	SUPPORT	XEF XEF	pz	1
20	07433005	VITE 6X10 TE FLANGIATA	XEF	pz	1
21	07424005	LIGHT SWITCH COMMAND	XEF	pz	1
21	08464005	SWITCH,HANDLE 1	XXF XXF	pz	1
22	07729005	MY21 CAB LIGHTS DEVICE	XEF	pz	1
22	08466005	SWITCH,HANDLE 1	XXF XXF	pz	1
23	08535005	SENSORE VELOCITA' XEF450	XEF	pz	1
24	05836005	BOLT FLANGE	XEF	pz	1
25	07373005	FASCETTA	XEF	pz	3
26	07595020	KIT SUPPORTO LEVA 1	XEF	pz	1
26	08499020	LEVER HOLDER ASSY, 1	XXF	pz	1

#	Code	Description	Specification	UM	Qty
27	06384005	COVER HANDLE LEVER 1	XXF	pz	1
27	07114005	COVER HANDLE LEVER 1	XEF	pz	1
28	06385005	HOLDER LEVER LOWER 1	XXF	pz	1
28	07115005	HOLDER LEVER LOWER 1	XEF	pz	1
29	05646005	BOLT	XEF	pz	2
29	06726005	BOLT FLANGE DEEP RECESS	XXF	pz	2
30	07113005	SWITCH	XEF	pz	1
31	06379005	BOLT		pz	1
32	06380005	NUT LENS FITTING		pz	1
33	07110005	LEVER 1	XEF	pz	1
33	08295005	LEVER 1	XXF	pz	1
34	08583005	KOSO CUSHION RUBBER	XEF	pz	2
35	00060005	RONDELLA ZINCATA M8 UNI 6592	XEF	pz	2
36	00496005	SCREW M4x1.25x18	XEF	pz	2
37	06381005	VITE DI REGOLAZIONE	XXF	pz	1
37	07111005	BOLT ADJUSTING	XEF	pz	1
38	07112005	BOLT CABLE ADJUSTING	XEF	pz	1

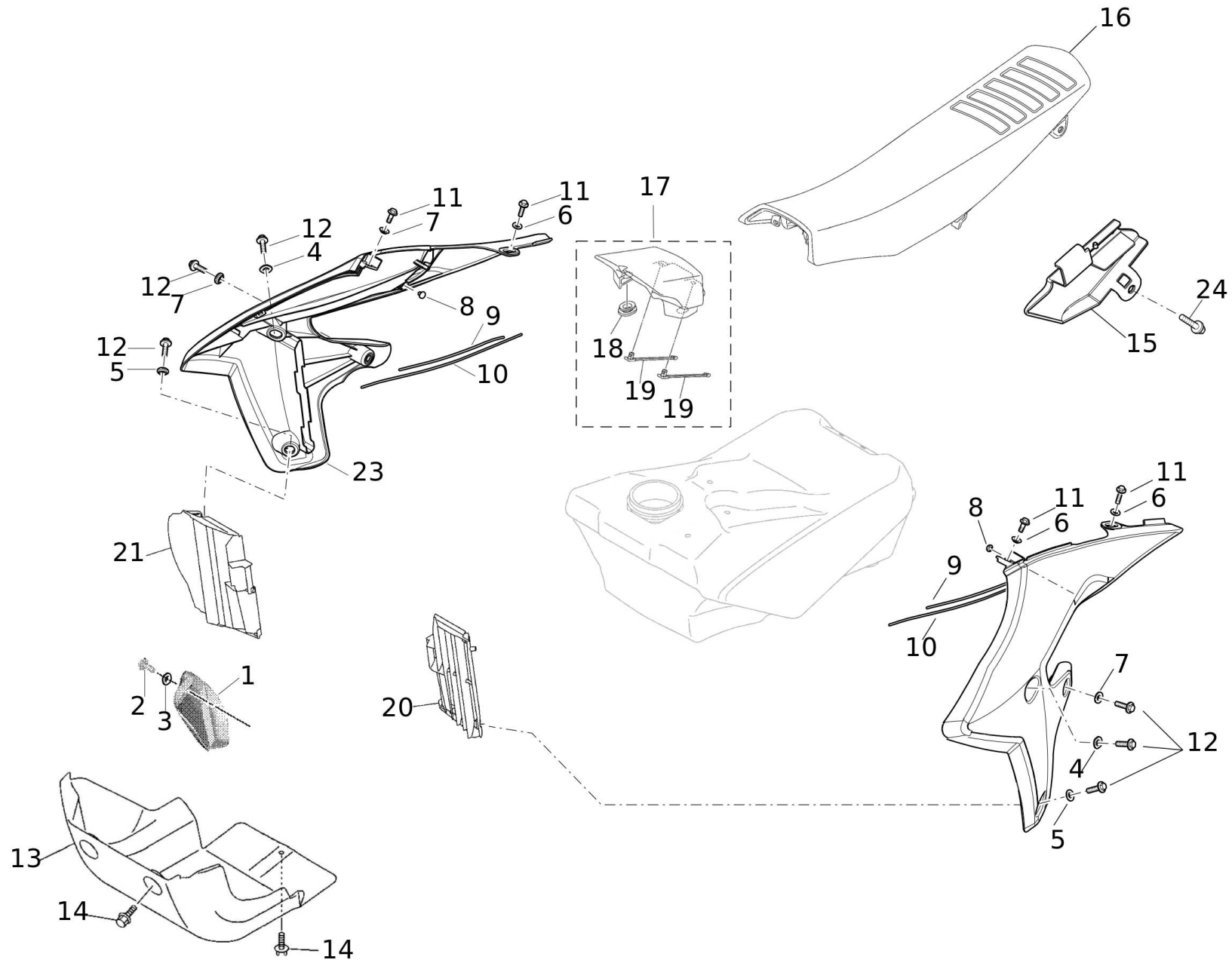
XEF

XXF



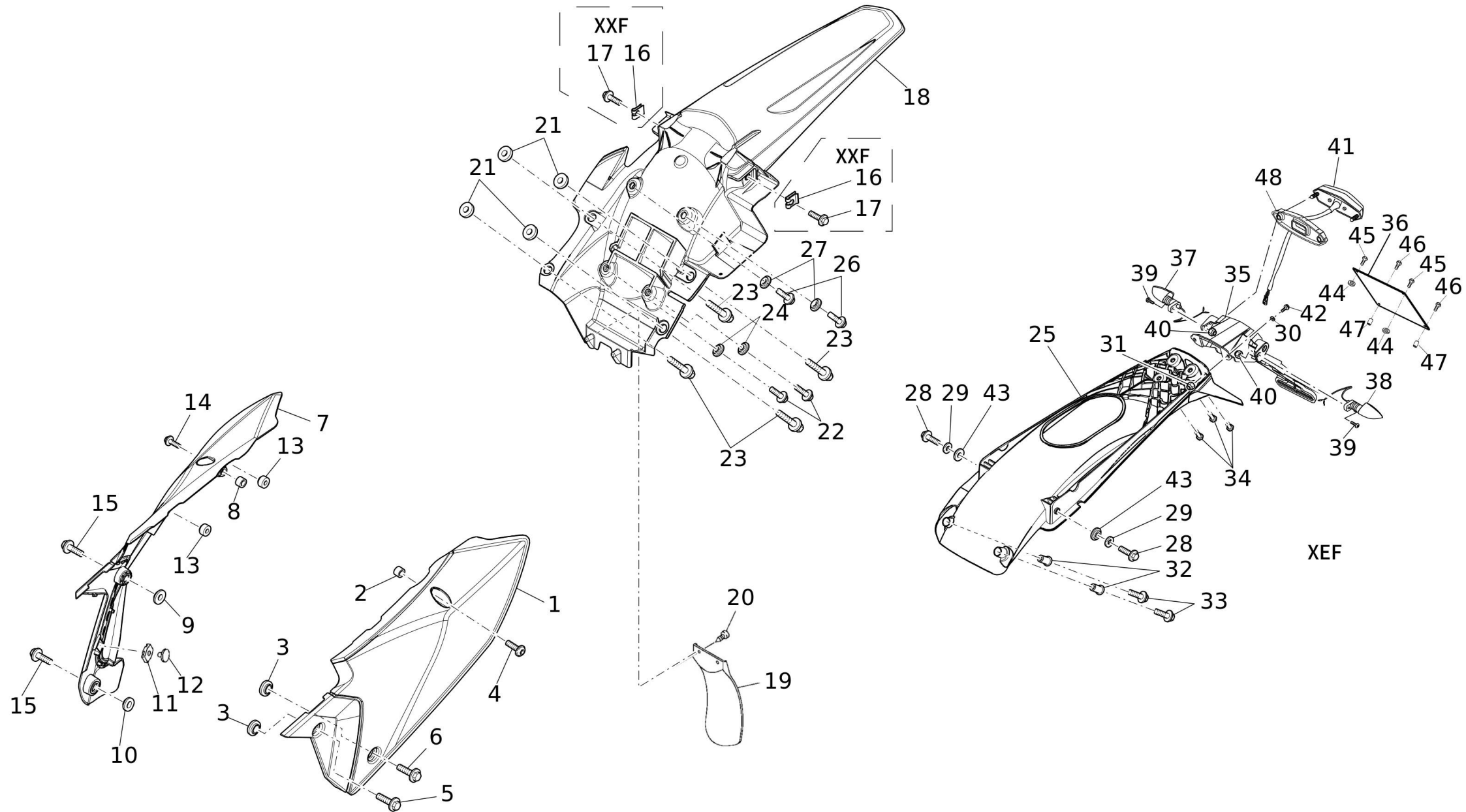
#	Code	Description	Specification	UM	Qty
1	07500005	FRONT FENDER OFF-ROAD WHITE		pz	1
2	08641005	COLLAR		pz	4
3	06958005	BOLT WITH WASHER		pz	4
4	07662005	FORK SLIDER PROTECTORS (PAIR)	XXF	pz	1
5	06162005	CLAMP	XXF	pz	1
6	06163005	CLAMP	XXF	pz	1
7	05758005	BOLT FLANGE	XXF	pz	2
8	07503005	FRONT PLATE NUMBER OFF-ROAD	XXF	pz	1
9	06564005	BOLT FLANGE	XXF	pz	1
10	04686005	RONDELLA M6 CON COLLARINO H3	XXF	pz	1
11	00898005	SWINGARM USD BEEPER	XEF	pz	1
12	07478005	SCREW	XEF	pz	2
13	07479005	VITE M5X10 TBEI ISO7380-2 ZINCATA 10.9	XEF	pz	1
14	08401005	FAIRLEAD	XEF XEF	pz	1
15	07364005	KIT FORK GUARD XEF	XEF XEF	pz	1
16	02163005	HANDGUARD (WHITE) WITHOUT STICKER	XEF	pz	1
17	06161005	BOLT		pz	6
18	07374005	CLAMP	XEF XEF	pz	1
19	07019005	BOLT HEXAGON SOCKET HEAD	XEF XEF	pz	2
20	00807005	WASHER 6X12	XEF	pz	1
21	07501005	HEADLIGHT FAIRING XE/XEF	XEF	pz	1
22	05466005	LED HEADLIGHT XE/XEF	XEF	pz	1
23	07467005	SPRING	XEF	pz	1
24	00049005	SCREW-SOCKET CONVEX HEAD 6X40	XEF	pz	1
25	07694005	BUSHING	XEF	pz	2
26	05120005	DIRECTION INDICATOR FRONT RH / REAR LH	XEF XEF	pz	1
27	05121005	DIRECTION INDICATOR FRONT LH / REAR RH	XEF XEF	pz	1
28	00042005	VITE 5X16 TBB UNI 7380 FLANGIATA	XEF	pz	2
29	00267005	DADO M5 AUTOBLOCC. BASSO	XEF	pz	3
30	00340005	DISTANZIALE A T D6 X H8.5	XEF	pz	1
31	08124005	HOLDER	XEF XEF	pz	1
32	00340005	DISTANZIALE A T D6 X H8.5	XEF	pz	2
33	02540005	VITE 6X16 TBFL UNI 7380 FLANGIATA	XEF	pz	2

#	Code	Description	Specification	UM	Qty
34	07371005	GROMMET	XEF XEF	pz	2
35	08717005	GOMMINO MASCHERINA XXF	XXF	pz	2



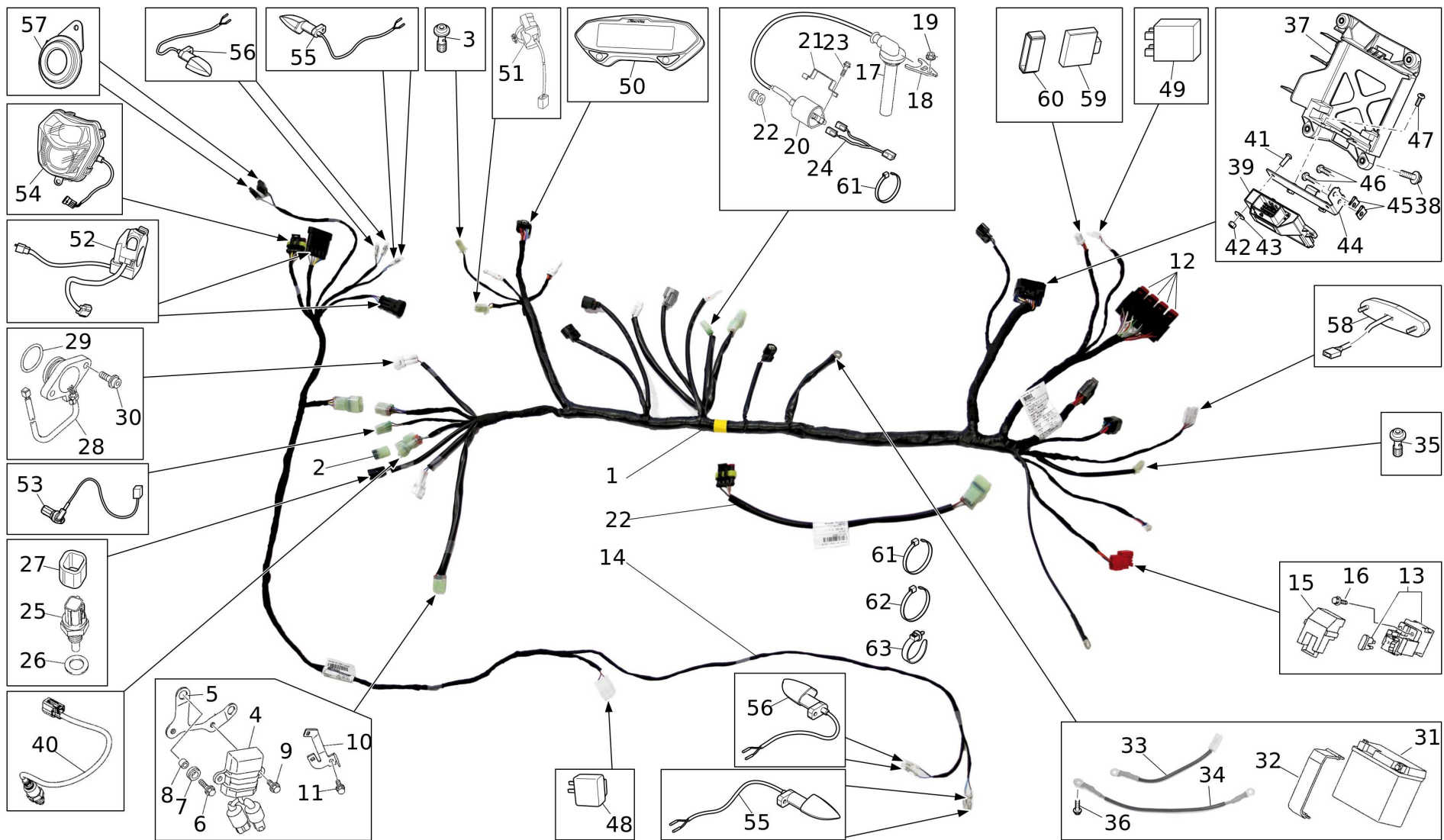
#	Code	Description	Specification	UM	Qty
1	07560005	PROTECTOR, ENGINE	XXF	pz	1
2	05758005	BOLT FLANGE	XXF	pz	1
3	08252005	COLLAR	XXF XXF	pz	1
4	06971005	COLLAR		pz	2
5	06559005	COLLAR		pz	2
6	06972005	COLLAR		pz	2
7	06781005	COLLAR		pz	4
8	06973005	GROMMET		pz	2
9	06974005	GASKET		pz	2
10	06975005	GASKET		pz	2
11	06564005	BOLT FLANGE		pz	4
12	06977005	BOLT WITH WASHER		pz	6
13	07375005	GUARD ENGINE 1	XEF	pz	1
14	06945005	BOLT WITH WASHER	XEF	pz	3
15	07370005	COVER		pz	1
16	08143005	SADDLE		pz	1
17	08511020	COVER TAPPO BENZINA CPL XEF		pz	1
18	07046005	GROMMET		pz	2
19	07047005	BAND SEAT		pz	2
20	07561005	RIPARO RADIATORE1 NERO		pz	1
21	07562005	RIPARO RADIATORE2 NERO		pz	1
22	07505005	SIDE FAIRING		pz	1
23	07506005	SIDE FAIRING		pz	1
24	06951005	RIVET BLIND		pz	1





#	Code	Description	Specification	UM	Qty
1	07507005	SIDE FAIRING		pz	1
2	06964005	COLLAR		pz	1
3	06563005	COLLAR		pz	2
4	06932005	BOLT FLANGE		pz	1
5	06966005	BOLT WITH WASHER		pz	1
6	06967005	BOLT WITH WASHER		pz	1
7	07508005	SIDE FAIRING		pz	1
8	06964005	COLLAR		pz	1
9	06559005	COLLAR		pz	1
10	06563005	COLLAR		pz	1
11	06968005	GROMMET		pz	1
12	06969005	DAMPER		pz	1
13	06970005	GROMMET		pz	2
14	06932005	BOLT FLANGE		pz	1
15	06967005	BOLT WITH WASHER		pz	2
16	06568005	NUT REAR FENDER	XXF	pz	2
17	06961005	BOLT FLANGE	XXF	pz	2
18	07509005	MUDGUARD	XEF	pz	1
18	08117005	PARAFANGO POSTERIORE XXF	XXF	pz	1
19	06962005	GUARD FLAP		pz	1
20	06600005	SCREW TAPPING		pz	2
21	06559005	COLLAR		pz	4
22	07942005	BOLT WITH WASHER	XXF	pz	2
23	06958005	BOLT WITH WASHER		pz	4
24	07476005	BUSHING		pz	2
25	07368005	LICENSE PLATE	XEF	pz	1
26	07942005	BOLT WITH WASHER	XXF XXF	pz	2
27	07476005	BUSHING	XXF	pz	2
28	08403005	SCREW	XEF	pz	2
29	00058005	RONDELLA 6X18X1,5 FASCIA LARGA UNI 6593	XEF	pz	2
30	00056005	WASHER 5X10	XEF	pz	3
31	00267005	DADO M5 AUTOBLOCC. BASSO	XEF	pz	3
32	08149005	SPACER	XEF	pz	2
33	07493005	SCREW	XEF	pz	2
34	07458005	SCREW	XEF	pz	3
35	07388005	LICENSE PLATE HOMOLOGATED HOLDER XE/XEF	XEF	pz	1
36	07474005	PLATE	XEF	pz	1
37	05121005	DIRECTION INDICATOR FRONT LH / REAR RH	XEF XEF	pz	1

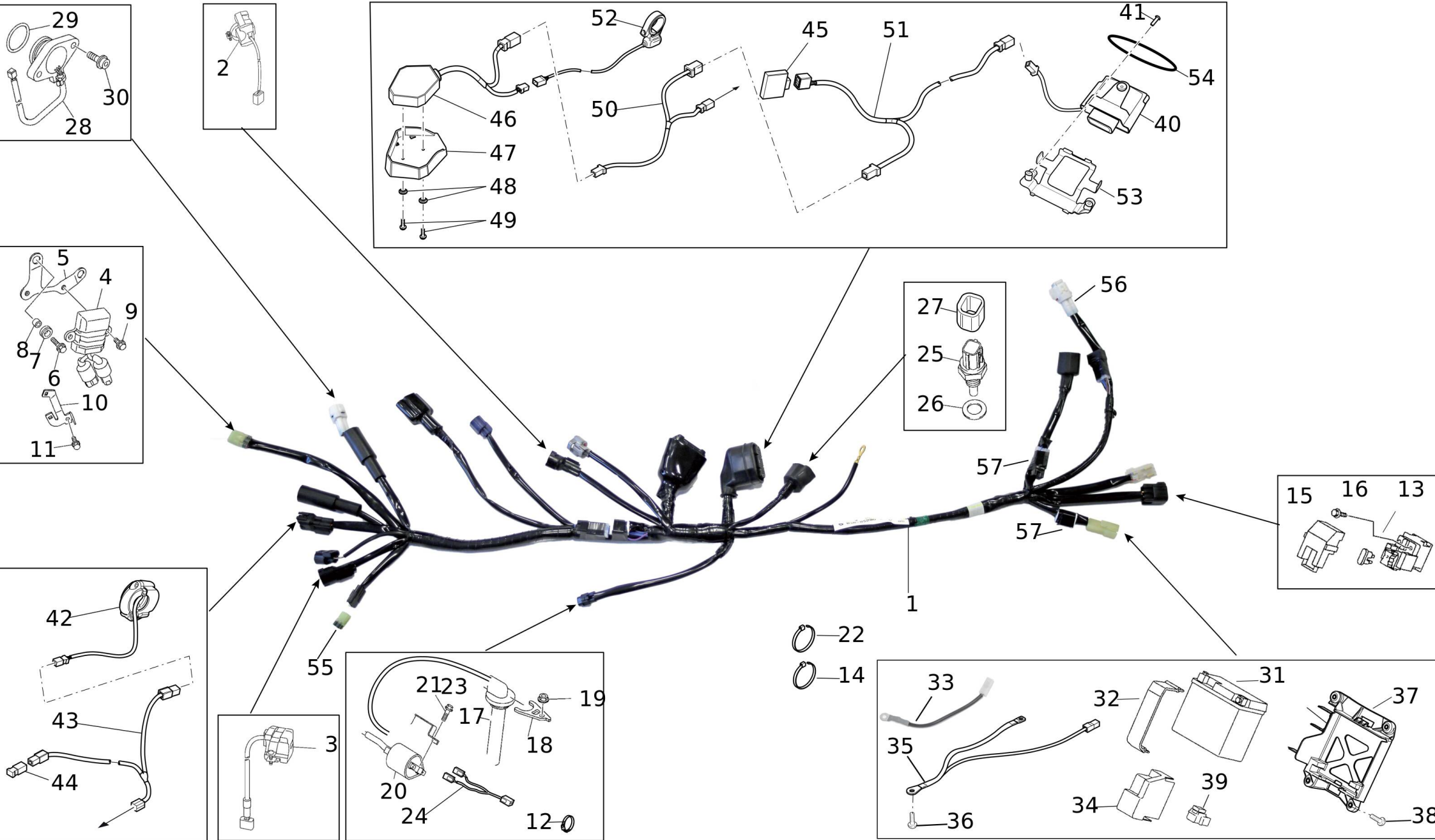
#	Code	Description	Specification	UM	Qty
38	05120005	DIRECTION INDICATOR FRONT RH / REAR LH	XEF XEF	pz	1
39	00042005	VITE 5X16 TBB UNI 7380 FLANGIATA	XEF	pz	2
40	00267005	DADO M5 AUTOBLOCC. BASSO	XEF	pz	2
41	05113005	TAILLIGHT WITH LED LICENSE PLATE LIGHT	XEF	pz	1
42	00042005	VITE 5X16 TBB UNI 7380 FLANGIATA	XEF	pz	3
43	08150005	SPACER	XEF	pz	2
44	00803005	SPACER TURN INDICATOR SUPPORT	XEF	pz	2
45	08723005	VITE 5X40 TBB UNI 7380-1	XEF	pz	2
46	08722005	VITE 5X25 TBB UNI 7380-1	XEF	pz	2
47	00766005	BOCCOLA 4,5	XEF	pz	2
48	05610005	SPACER	XEF	pz	2



#	Code	Description	Specification	UM	Qty
1	07591005	CABLAGGIO PRINCIPALE XEF MY22	XEF	pz	1
2	07492005	CAP	XEF	pz	1
3	03259005	STOP SWITCH	XEF	pz	1
4	07128005	RECTIFIER REGULETOR ASSY	XEF	pz	1
5	07129005	BRACKET REGULATOR	XEF	pz	1
6	07130005	VITE 6X20 TE8 FLANGIA 13.5	XEF	pz	2
7	07131005	GROMMET	XEF	pz	2
8	07132005	COLLAR	XEF	pz	2
9	06564005	BOLT FLANGE	XEF	pz	2
10	07134005	HOLDER, GUIDE	XEF	pz	1
11	06289005	BOLT FLANGE	XEF	pz	1
12	05457005	RELAY	XEF	pz	4
13	07376020	STARTER RELAY ASSY (RC19-102B)	XEF	pz	1
14	08147005	CABLE	XEF	pz	1
15	07378005	COVER RELAY AVVIAMENTO	XEF	pz	1
16	08516005	VITE TCEI M6X8 FL	XEF	pz	2
17	07354005	PIPPETTA CANDELA	XEF	pz	1
18	07117005	FERMO PIPPETTA	XEF	pz	1
19	06625005	NUT FLANGE	XEF	pz	1
20	07355005	IGNITION COIL ASSY	XEF	pz	1
21	07125005	CORE SIDE	XEF	pz	1
22	07486005	ADAPTER	XEF	pz	1
23	06749005	BOLT FLANGE DEEP RECESS	XEF	pz	2
24	08504005	CABLE	XEF	pz	1
25	07119005	THERMO UNIT	XEF	pz	1
26	07120005	GASKET	XEF	pz	1
27	08513005	HOLDER LEVER UNDER	XEF	pz	1
28	07121005	NEUTRAL SWITCH ASSY	XEF	pz	1
29	07122005	O-RING	XEF	pz	1
30	07123005	VITE 5X14 TCEI4 FLANGIA 10.7	XEF	pz	2
31	00798005	MAINTENANCE-FREE 3 AH BATTERY	XEF	pz	1
32	08405005	ELASTICO BATTERIA	XEF	pz	1
33	08502005	CABLE	XEF	pz	1
34	08503005	CABLE	XEF	pz	1
35	02112005	STOP SWITHC (BRAKING)	XEF	pz	1
36	06617005	BOLT FLANGE DEEP RECESS	XEF	pz	1
37	07421005	BOX	XEF	pz	1
38	07942005	BOLT WITH WASHER	XXF XEF	pz	2
39	V0153020	ECU XEF450 E5	XEF	pz	1

#	Code	Description	Specification	UM	Qty
40	05213005	LAMBDA SENSOR E4 FC250-450/TL250	XEF	pz	1
41	00042005	VITE 5X16 TBB UNI 7380 FLANGIATA	XEF	pz	2
42	00267005	DADO M5 AUTOBLOCC. BASSO	XEF	pz	2
43	00057005	RONDELLA 5X15 DIN9021	XEF	pz	2
44	07419005	SUPPORT	XEF	pz	1
45	01891005	GRAFFETTA METALLICA DIA5 12X15	XEF	pz	2
46	00334005	VITE 5X12 TBB UNI 7380 FLANGIATA	XEF	pz	2
47	07479005	VITE M5X10 TBEI ISO7380-2 ZINCATA 10.9	XEF	pz	2
48	01199005	FLASHER RELAY (TURN SIGNAL RELAY) 10W	XEF	pz	1
49	07477005	XEF RESERVE INTERFACE BOARD	XEF	pz	1
50	07731005	ODOMETER	XEF	pz	1
51	07424005	LIGHT SWITCH COMMAND	XEF	pz	1
52	07729005	MY21 CAB LIGHTS DEVICE	XEF	pz	1
53	08535005	SENSORE VELOCITA' XEF450	XEF	pz	1
54	05466005	LED HEADLIGHT XE/XEF	XEF	pz	1
55	05120005	DIRECTION INDICATOR FRONT RH / REAR LH	XEF XEF	pz	2
56	05121005	DIRECTION INDICATOR FRONT LH / REAR RH	XEF XEF	pz	2
57	00898005	SWINGARM USD BEEPER	XEF	pz	1
58	05113005	TAILLIGHT WITH LED LICENSE PLATE LIGHT	XEF	pz	1
59	07418005	WI-FI COM	XXF XEF	pz	1
60	07423005	RING	XEF	pz	1
61	06389005	FASCETTA 125X7	XEF	pz	2
62	07138005	CLAMP	XEF	pz	2
63	07137005	FASCETTA	XEF	pz	1

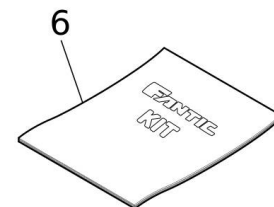
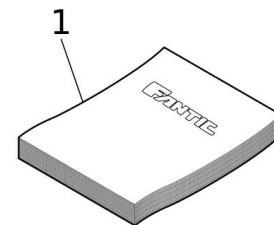




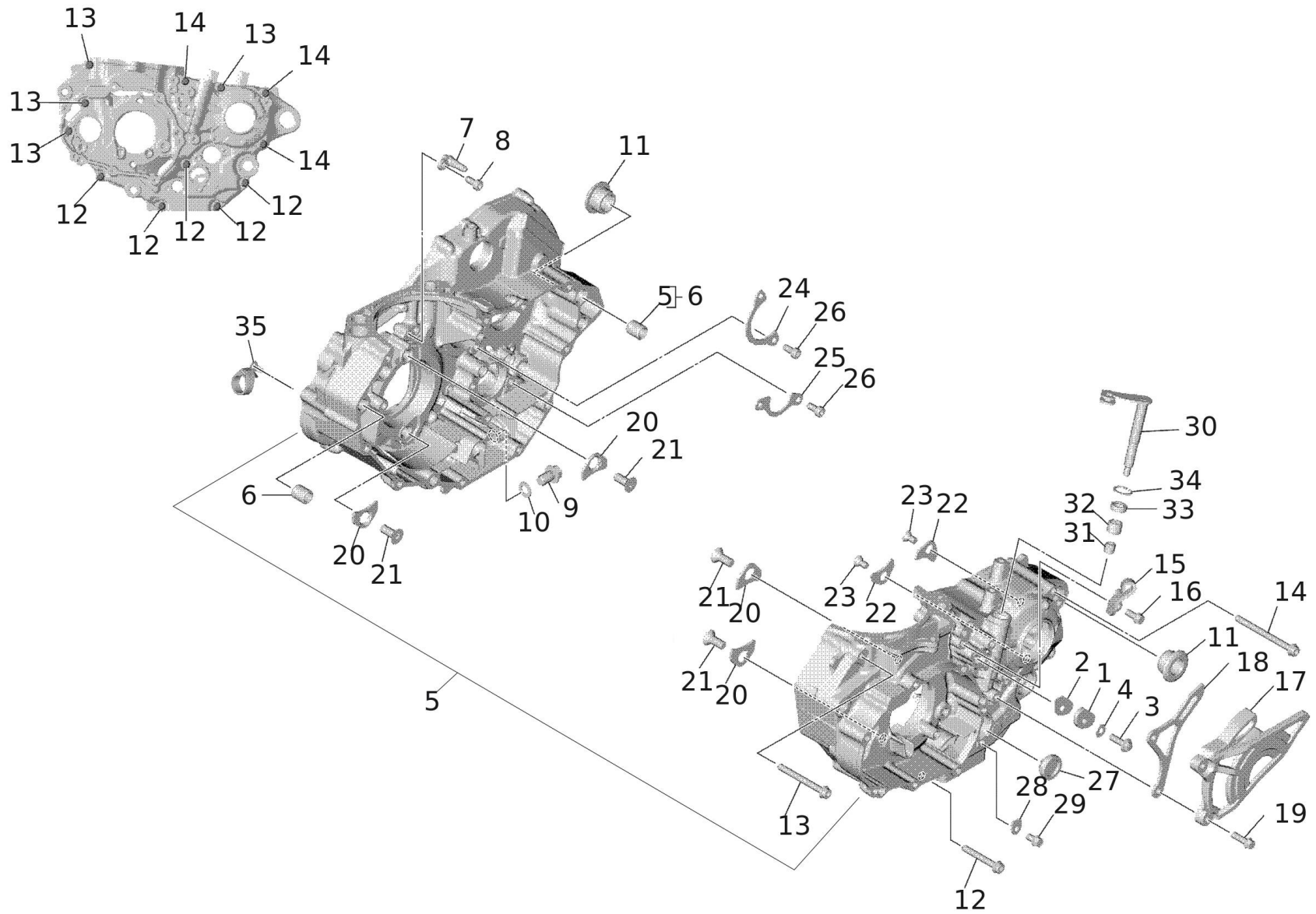
#	Code	Description	Specification	UM	Qty
1	07555005	CABLAGGIO XXF450 MY22	XXF	pz	1
2	08464005	SWITCH,HANDLE 1	XXF XXF	pz	1
3	08466005	SWITCH,HANDLE 1	XXF XXF	pz	1
4	07128005	RECTIFIER REGULETOR ASSY	XXF	pz	1
5	07129005	BRACKET REGULATOR	XXF	pz	1
6	07130005	VITE 6X20 TE8 FLANGIA 13.5	XXF	pz	2
7	07131005	GROMMET	XXF	pz	2
8	07132005	COLLAR	XXF	pz	2
9	06564005	BOLT FLANGE	XXF	pz	2
10	07134005	HOLDER, GUIDE	XXF	pz	1
11	06289005	BOLT FLANGE	XXF	pz	1
12	07140005	BAND	XXF XXF	pz	1
13	07376020	STARTER RELAY ASSY (RC19-102B)	XXF	pz	1
14	06389005	FASCETTA 125X7	XXF	pz	2
15	07378005	COVER RELAY AVVIAMENTO	XXF	pz	1
16	08516005	VITE TCEI M6X8 FL	XXF	pz	2
17	07354005	PIPPETTA CANDELA	XXF	pz	1
18	07117005	FERMO PIPPETTA	XXF	pz	1
19	06625005	NUT FLANGE	XXF	pz	1
20	07355005	IGNITION COIL ASSY	XXF	pz	1
21	07125005	CORE SIDE	XXF	pz	1
22	06388005	FASCETTA	XXF	pz	2
23	06749005	BOLT FLANGE DEEP RECESS	XXF	pz	2
24	08477005	WIRE,SUB LEAD	XXF XXF	pz	1
25	07119005	THERMO UNIT	XXF	pz	1
26	07120005	GASKET	XXF	pz	1
27	08513005	HOLDER LEVER UNDER	XXF	pz	1
28	07121005	NEUTRAL SWITCH ASSY	XXF	pz	1
29	07122005	O-RING	XXF	pz	1
30	07123005	VITE 5X14 TCEI4 FLANGIA 10.7	XXF	pz	2
31	08568005	BATTERIA AL LITIO 12V	XXF	pz	1
32	08405005	ELASTICO BATTERIA	XXF	pz	1
33	08502005	CABLE	XXF	pz	1
34	07557005	COVER 1	XXF XXF	pz	1
35	08574005	CAVO NEGATIVO BATERIA XXF	XXF XXF	pz	1



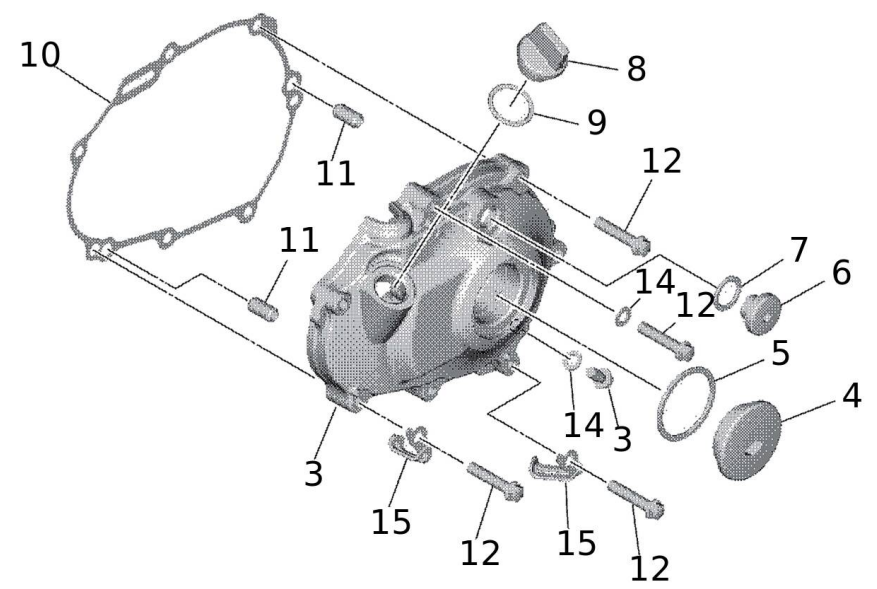
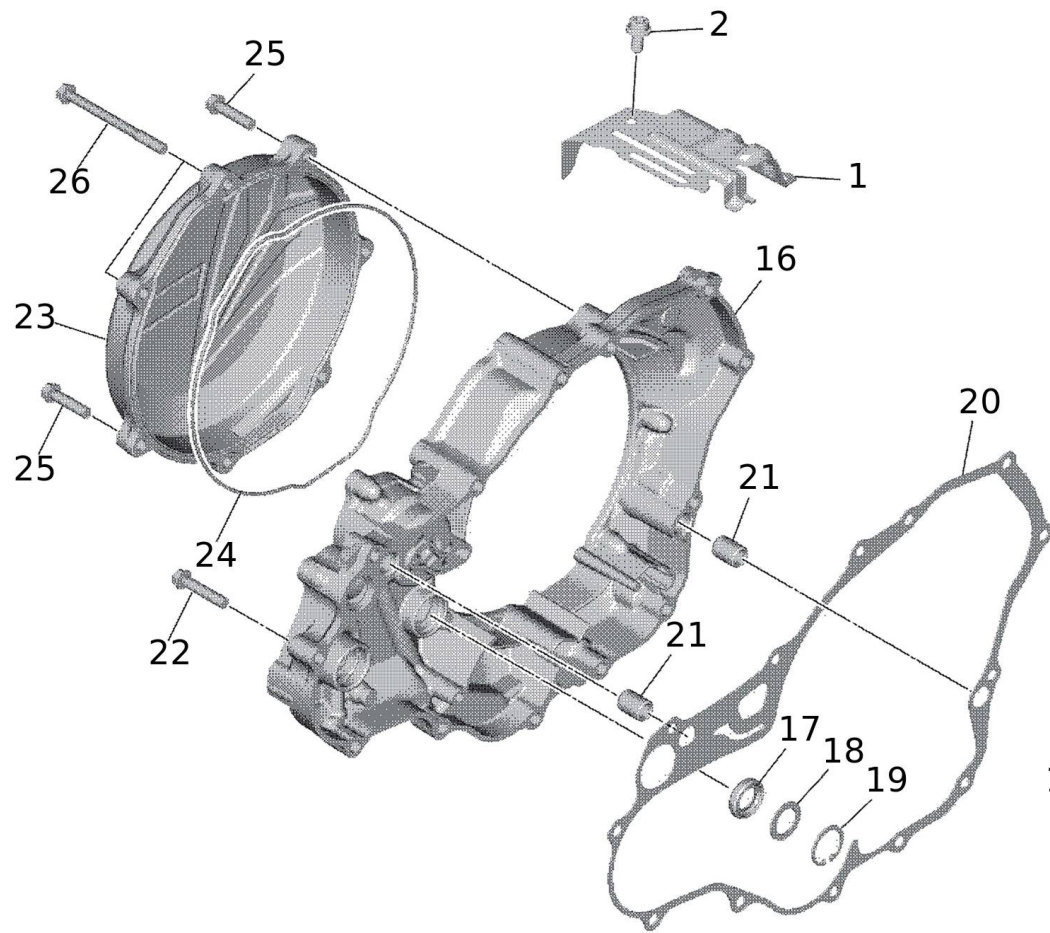
#	Code	Description	Specification	UM	Qty
36	06617005	BOLT FLANGE DEEP RECESS	XXF	pz	1
37	07421005	BOX	XXF	pz	1
38	07942005	BOLT WITH WASHER	XXF XXF	pz	4
39	08482005	RELAY ASSY(1ST-00)	XXF XXF	pz	1
40	V0156020	ECU XXF450 MY22	XXF	pz	1
41	08296005	BOLT, WITH WASHER	XXF XXF	pz	2
42	08577005	PULSANTE DOPPIA MAPPATURA OFF-ROAD	XXF XXF	pz	1
43	08578005	BRIGLIA MAP SWITCH-2° INJ	XXF XXF	pz	1
44	07549005	CONNETTORE	XXF XXF	pz	1
45	07418005	WI-FI COM	XXF XXF	pz	1
46	08580005	LAUNCH CONTROL GPA XXF	XXF	pz	1
47	08581005	SUPPORTO LC-GPA	XXF	pz	1
48	08609005	BOCCOLA A T D10-d5.5-h4.8	XXF	pz	2
49	00042005	VITE 5X16 TBB UNI 7380 FLANGIATA	XXF	pz	2
50	08575005	INTERFACCIA LAUNCH CONTROL-GPA XXF	XXF XXF	pz	1
51	08404005	BRIGLIA WIFI-COM XXF	XXF XXF	pz	1
52	08582005	TASTO MODE XXF	XXF	pz	1
53	07570005	STAFFA CENTRALINA RX1-PRO	XXF XXF	pz	1
54	07571005	ELASTICO CENTRALINA RX1-PRO	XXF XXF	pz	1
55	08680005	TAPPO CONNETTORE XXF450	XXF	pz	1
56	08299005	.DIODE ASSY	XXF	pz	1
57	08475005	.DIODE ASSY	XXF	pz	2



#	Code	Description	Specification	UM	Qty
1	08695005	MANUALE D'USO GAMMA OFF-ROAD 4T		pz	1
2	07592005	KIT ADESIVI ENDURO 4T MY22	XEF	pz	1
2	07593005	KIT ADESIVI CROSS 4T MY22	XXF	pz	1
3	04311005	AMBER CURVED PERFORMANCE REFLECTOR	XEF	pz	2
4	03990005	RED RECTANGULAR REFLECTOR	XEF	pz	1
5	08160005	ADHESIVE	XEF	pz	1
6	08720005	ISTRUZIONE KIT RACING XEF MY22	XEF	pz	1
7	07525005	STICKER BARDAHL ENGINE CRANKCASE		pz	1

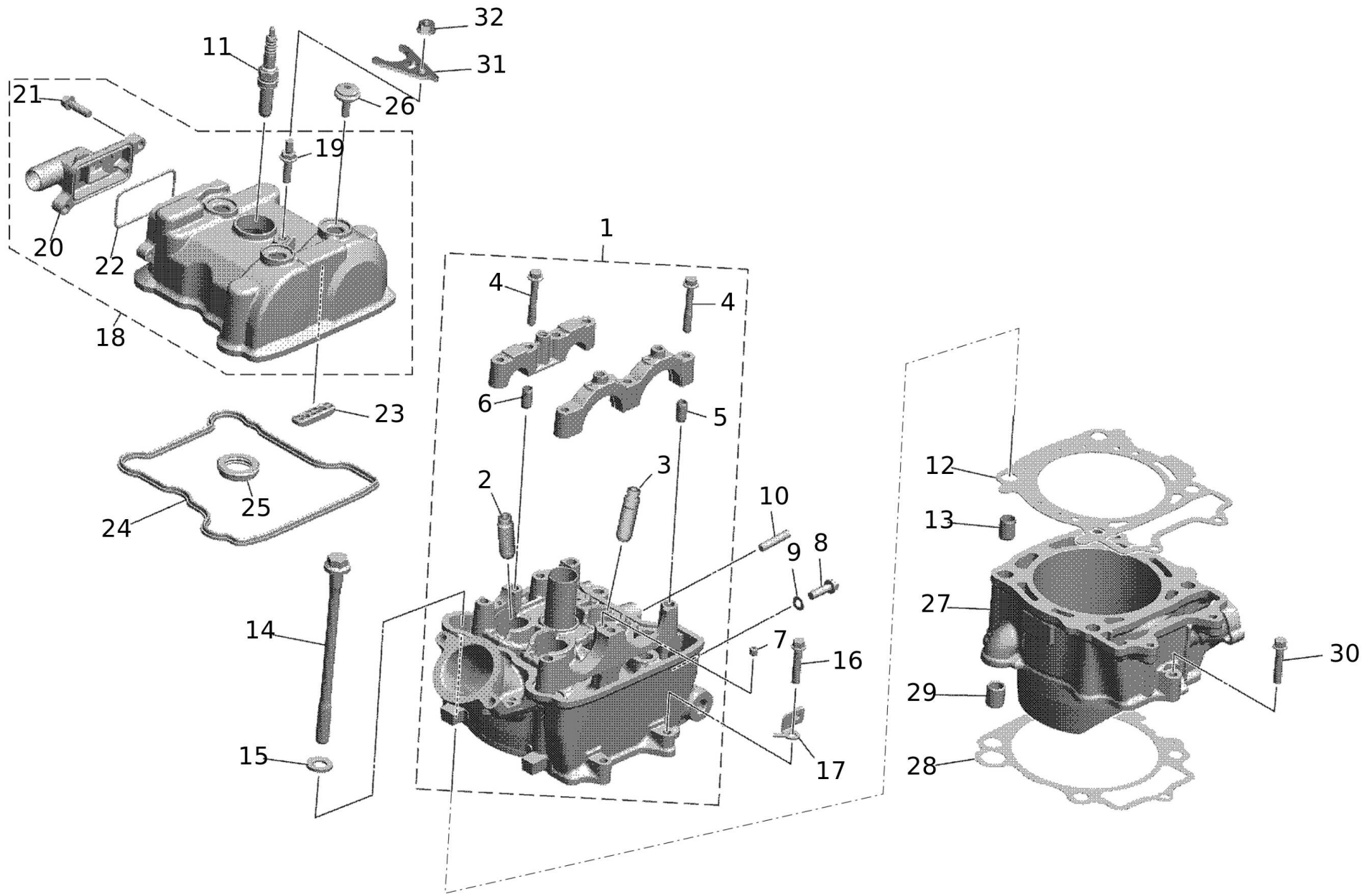


#	Code	Description	Specification	UM	Qty
1	07247005	PLATE		pz	1
2	07248005	GASKET		pz	1
3	08367005	BOLT FLANGE		pz	1
4	07249005	GASKET		pz	1
5	07250020	CRANKCASE ASSY		pz	1
6	06819005	PIN, DOWEL		pz	2
7	07251005	NOZZLE 3		pz	1
8	06837005	BOLT, HEXAGON SOCKET HEAD		pz	1
9	06822005	BOLT, FLANGE DEEP RECESS		pz	1
10	05856005	GASKET		pz	1
11	06823005	COLLAR		pz	2
12	06824005	BOLT, HEXAGON SOCKET HEAD		pz	5
13	06825005	BOLT, HEXAGON SOCKET HEAD		pz	4
14	06826005	BOLT, HEXAGON SOCKET HEAD		pz	3
15	07252005	HOLDER, CLUTCH CABLE		pz	1
16	06569005	BOLT FLANGE		pz	2
17	06829005	PROTEZIONE PIGNONE		pz	1
18	06830005	GUIDA CATENA		pz	1
19	06831005	BOLT FLANGE		pz	2
20	06832005	PLATE, BEARING COVER		pz	4
21	06833005	SCREW COUNTERSUNK		pz	4
22	05932005	PLATE, BEARING COVER		pz	2
23	06834005	SCREW COUNTERSUNK		pz	2
24	07253005	PLATE, BEARING COVER		pz	1
25	06836005	PLATE STOPPER 2		pz	1
26	06837005	BOLT, HEXAGON SOCKET HEAD		pz	4
27	06845005	GAUGE LEVEL		pz	1
28	07254005	HOLDER		pz	1
29	06617005	BOLT FLANGE DEEP RECESS		pz	1
30	07286005	PUSH LEVER COMP.		pz	1
31	06838005	BEARING		pz	1
32	06880005	BEARING		pz	1
33	05930005	OIL SEAL		pz	1
34	06881005	CIRCLIP		pz	1
35	09175005	PASSATUBO	XXF	pz	1



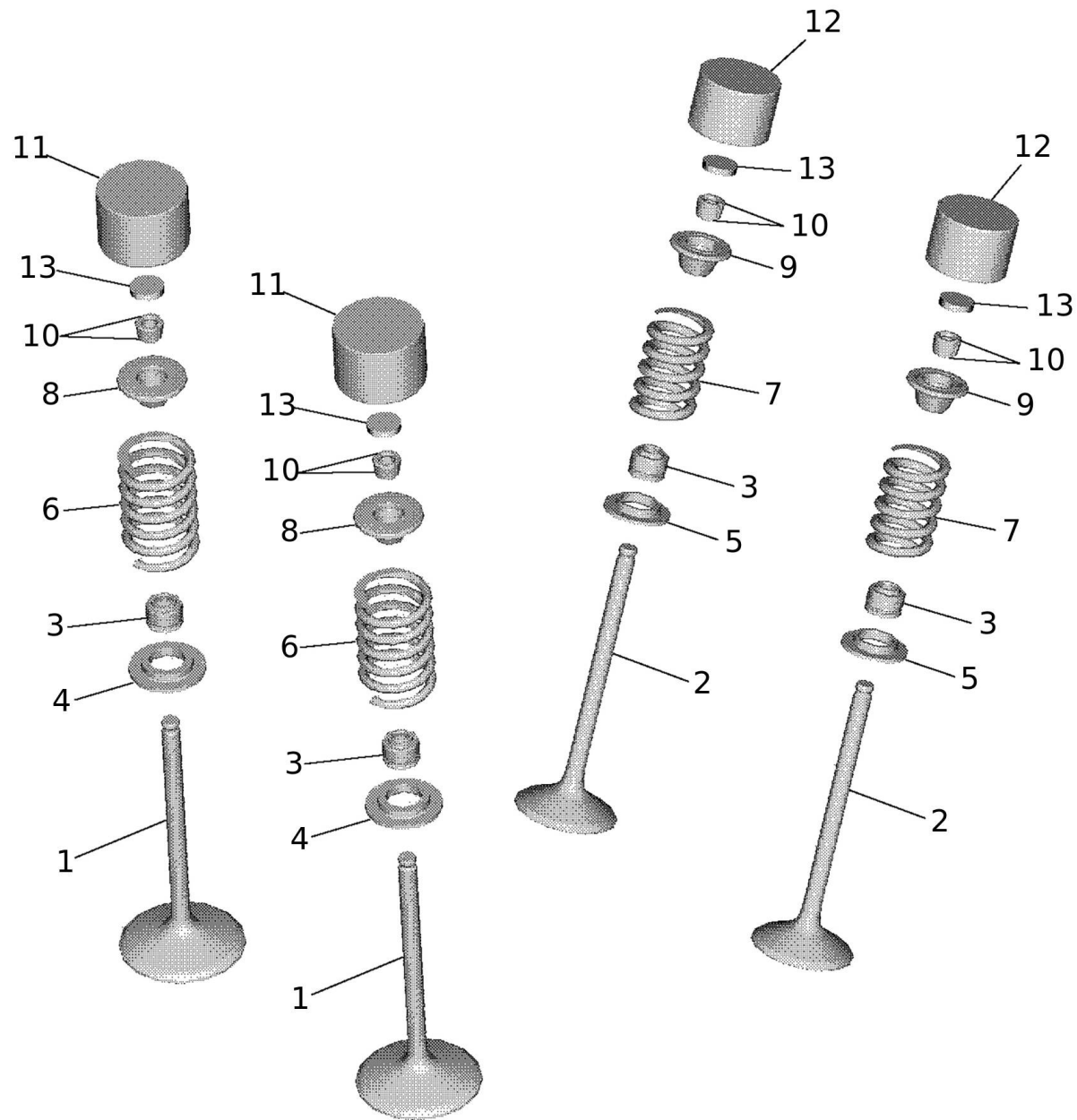


#	Code	Description	Specification	UM	Qty
1	07255005	COVER, STARTING MOTOR		pz	1
2	07256005	BOLT, HEXAGON SOCKET HEAD		pz	1
3	07257005	COVER, CRANKCASE 1		pz	1
4	07054005	PLUG, STRAIGHT SCREW		pz	1
5	06840005	O-RING		pz	1
6	07055005	PLUG, STRAIGHT SCREW		pz	1
7	06841005	O-RING		pz	1
8	03957005	TAPPO ISP. OLIO 250 4T		pz	1
9	05877005	O-RING		pz	1
10	07258005	GASKET CRANKCASE COVER 1		pz	1
11	05875005	PIN DOWEL		pz	2
12	08542005	BOLT FLANGE DEEP RECESS		pz	7
13	06722005	BOLT FLANGE DEEP RECESS		pz	1
14	05705005	GASKET		pz	2
15	06843005	GUIDE, CABLE		pz	2
16	07259005	COVER, CRANKCASE 3		pz	1
17	07260005	OIL SEAL		pz	1
18	07261005	WASHER PLATE (T=1.0)		pz	1
19	07262005	CIRCLIP		pz	1
20	07263005	GASKET CRANKCASE COVER 3		pz	1
21	07264005	PIN, DOWEL		pz	2
22	08542005	BOLT FLANGE DEEP RECESS		pz	11
23	08932005	COPERCHIO FRIZIONE XEF/XXF 450		pz	1
24	07265005	GASKET CRANKCASE COVER		pz	1
25	06708005	BOLT FLANGE DEEP RECESS		pz	5
26	09176005	BOLT, FLANGE DEEP RECESS		pz	2

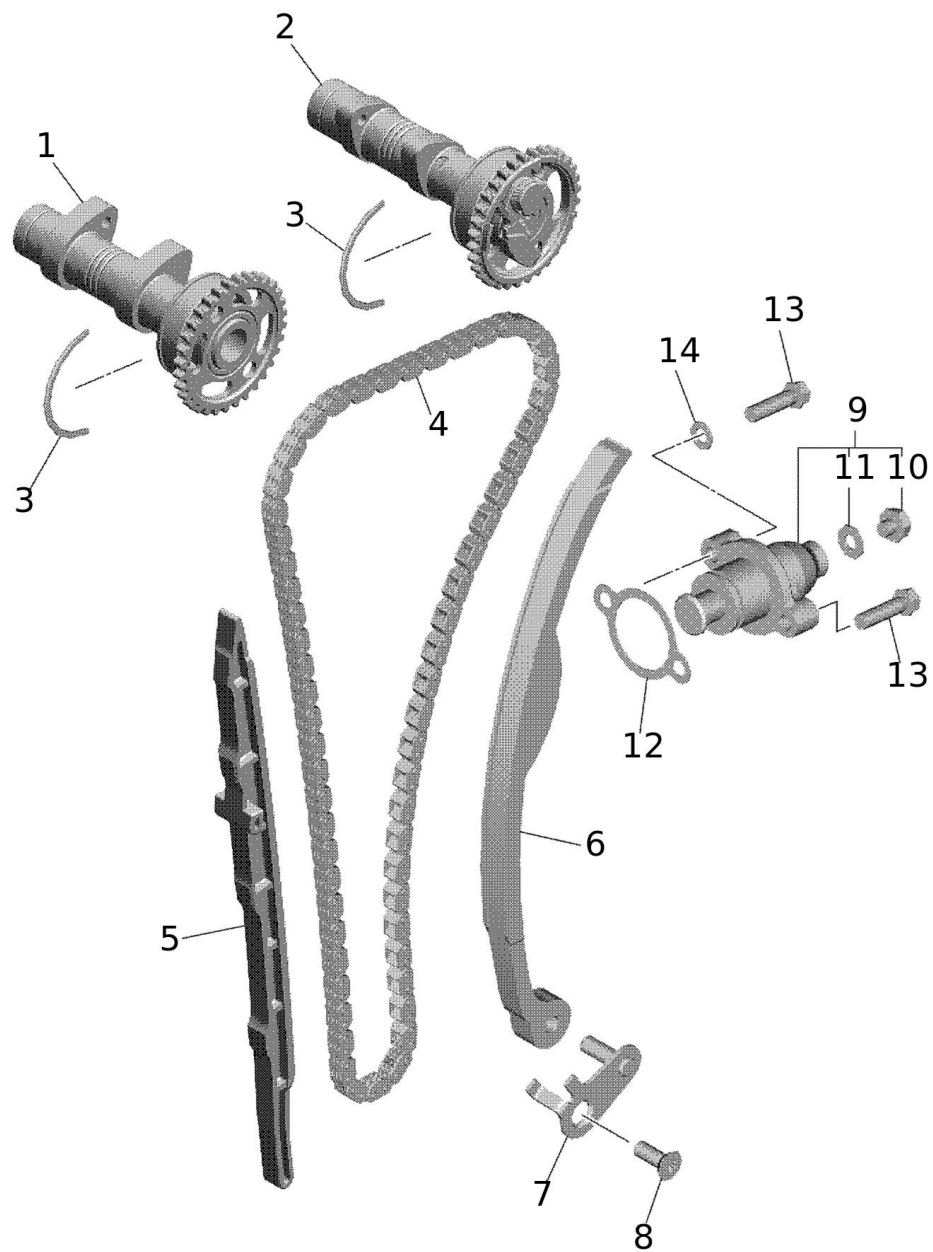




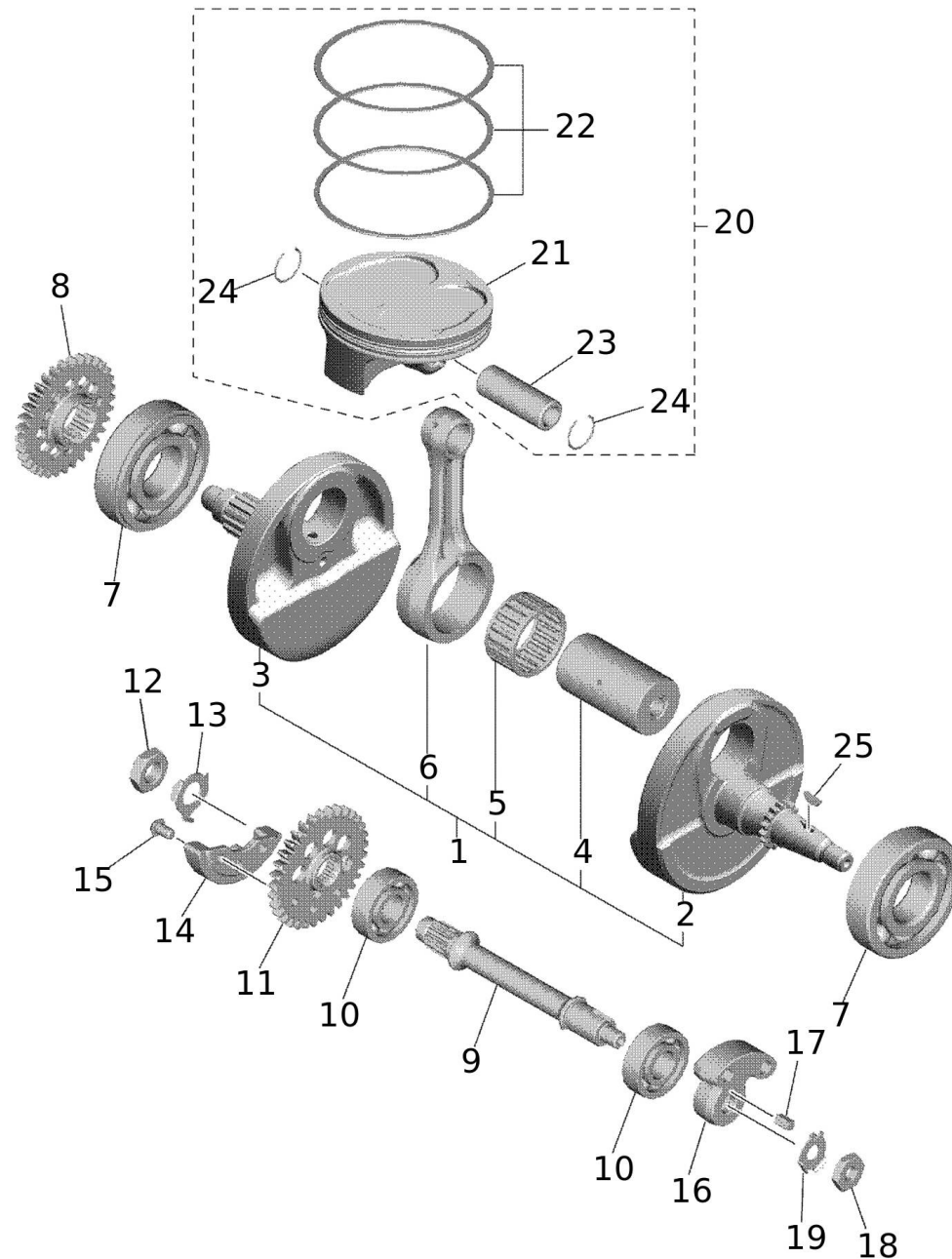
#	Code	Description	Specification	UM	Qty
1	09213020	CYLINDER HEAD ASSY		pz	1
2	09156005	GUIDA VALVOLA 1		pz	2
3	07161005	GUIDA VALVOLA 2		pz	2
4	06616005	BOLT, WITH WASHER		pz	7
5	07163005	PIN, DOWEL		pz	2
6	07163005	PIN, DOWEL		pz	2
7	09157005	NOZZLE 1		pz	1
8	09158005	BOLT, WITH WASHER		pz	2
9	05705005	GASKET		pz	2
10	06618005	BOLT STUD		pz	2
11	07540005	CANDELA NGK LMAR8G		pz	1
12	07168005	GASKET CYLINDER HEAD 1		pz	1
13	06621005	PIN DOWEL		pz	2
14	07169005	BOLT, WITH WASHER		pz	4
15	07171005	WASHER, PLATE		pz	4
16	08542005	BOLT FLANGE DEEP RECESS		pz	2
17	07173005	CLAMP		pz	1
18	09089005	COPERCHIO PUNTERIE XXF450		pz	1
19	06626005	BOLT STUD		pz	1
20	09161005	GUARNIZIONE SFIATO TESTA		pz	1
21	09162005	BOLT, WITH WASHER		pz	2
22	09160005	GUARNIZIONE SFIATO TESTA		pz	1
23	09159005	GUIDA TAMPONE 2		pz	1
24	07175005	GASKET HEAD COVER 1		pz	1
25	06629005	GASKET HEAD COVER 2		pz	1
26	06628005	BOLT COVER HEAD		pz	3
27	09163005	CYLINDER 1		pz	1
28	07178005	GASKET CYLINDER		pz	1
29	06819005	PIN, DOWEL		pz	2
30	08542005	BOLT FLANGE DEEP RECESS		pz	1
31	07117005	FERMO PIPPETTA		pz	1
32	06625005	NUT FLANGE		pz	1



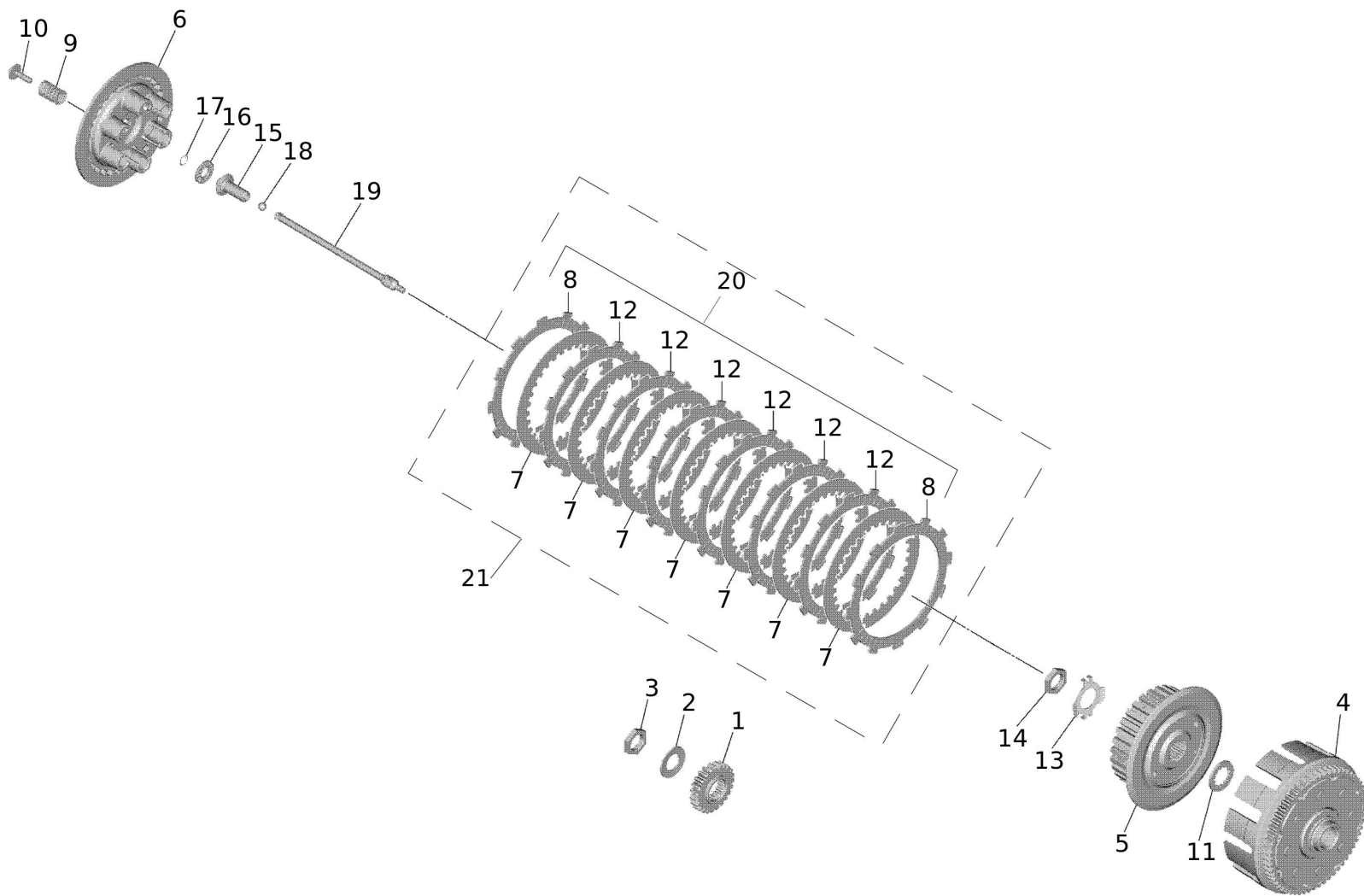
#	Code	Description	Specification	UM	Qty
1	09165005	INTAKE VALVE		pz	2
2	09167005	EXHAUST VALVE		pz	2
3	07211005	SEAL, VALVE STEM		pz	4
4	07204005	SEAT, VALVE SPRING		pz	2
5	07205005	SEAT, VALVE SPRING 2		pz	2
6	09168005	SPRING VALVE INNER		pz	2
7	07207005	SPRING VALVE OUTER		pz	2
8	07208005	RETAINER, VALVE SPRING		pz	2
9	07209005	RETAINER, VALVE SPRING		pz	2
10	07210005	LOCK, VALVE SPRING RETAINER		pz	8
11	06674005	LIFTER VALVE		pz	2
12	06675005	LIFTER, VALVE		pz	2
13	06676005	PAD ADJUSTING (1.20)	Accessory	pz	4
13	06677005	PAD ADJUSTING (1.25)	Accessory	pz	4
13	06678005	PAD ADJUSTING (1.30)	Accessory	pz	4
13	06679005	PAD ADJUSTING (1.35)	Accessory	pz	4
13	06680005	PAD ADJUSTING (1.40)	Accessory	pz	4
13	06681005	PAD ADJUSTING (1.45)	Accessory	pz	4
13	06682005	PAD ADJUSTING (1.50)	Accessory	pz	4
13	06683005	PAD ADJUSTING (1.55)	Accessory	pz	4
13	06684005	PAD ADJUSTING (1.60)	Accessory	pz	4
13	06685005	PAD ADJUSTING (1.65)	Accessory	pz	4
13	06686005	PAD ADJUSTING (1.70)	Accessory	pz	4
13	06687005	PAD ADJUSTING (1.75)	Accessory	pz	4
13	06688005	PAD ADJUSTING (1.80)	Accessory	pz	4
13	06689005	PAD ADJUSTING (1.85)	Accessory	pz	4
13	06690005	PAD ADJUSTING (1.90)	Accessory	pz	4
13	06691005	PAD ADJUSTING (1.95)	Accessory	pz	4
13	06692005	PAD ADJUSTING (2.00)	Accessory	pz	4
13	06693005	PAD ADJUSTING (2.05)	Accessory	pz	4
13	06694005	PAD ADJUSTING (2.10)	Accessory	pz	4
13	06695005	PAD ADJUSTING (2.15)	Accessory	pz	4
13	06696005	PAD ADJUSTING (2.20)	Accessory	pz	4
13	06697005	PAD ADJUSTING (2.25)	Accessory	pz	4
13	06698005	PAD ADJUSTING (2.30)	Accessory	pz	4
13	06699005	PAD ADJUSTING (2.35)	Accessory	pz	4
13	06700005	PAD ADJUSTING (2.40)	Accessory	pz	4



#	Code	Description	Specification	UM	Qty
1	09169005	CAMSHAFT ASSY 1		pz	1
2	09170005	CAMSHAFT ASSY 2		pz	1
3	06703005	CIRCLIP		pz	2
4	07214005	CHAIN		pz	1
5	09171005	PATTINO CATENA DISTRIBUZIONE 1		pz	1
6	07539005	PATTINO CATENA DISTRIBUZIONE 2		pz	1
7	06712005	PLATE GUIDE STOPPER 1		pz	1
8	06713005	SCREW COUNTERSUNK		pz	1
9	07215020	TENSIONER ASSY, CAM CHAIN		pz	1
10	06706005	BOLT		pz	1
11	07216005	GASKET		pz	1
12	06707005	GASKET TENSIONER CASE		pz	1
13	06708005	BOLT FLANGE DEEP RECESS		pz	2
14	05705005	GASKET		pz	1

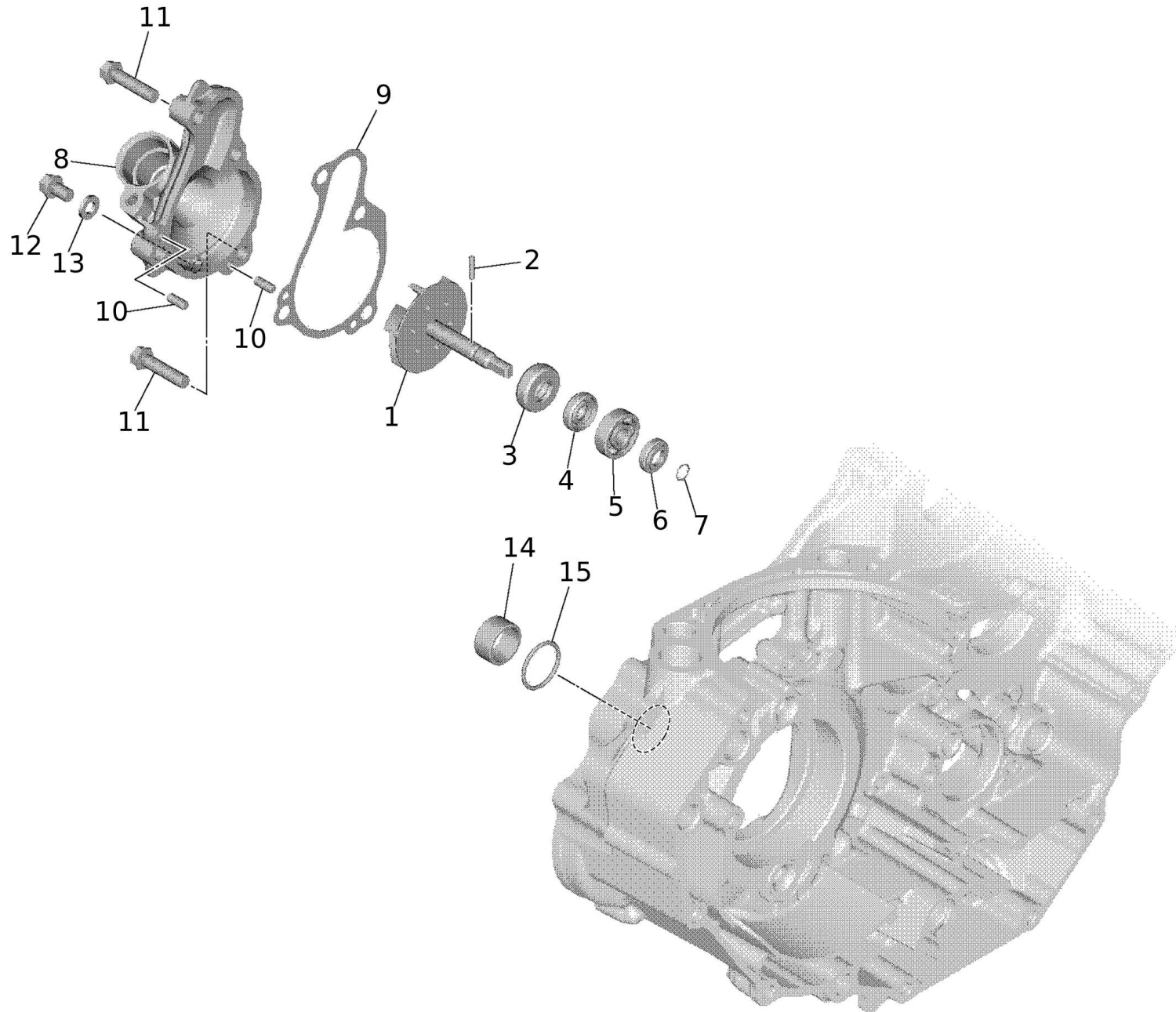


#	Code	Description	Specification	UM	Qty
1	07179020	CRANKSHAFT ASSY		pz	1
2	07180005	CRANK 1		pz	1
3	07181005	CRANK 2		pz	1
4	07182005	PIN, CRANK 1		pz	1
5	07183005	.BEARING		pz	1
6	09164005	ROD CONNECTING		pz	1
7	07185005	BEARING		pz	2
8	07186005	GEAR, DRIVE		pz	1
9	07187005	COUNTERSHAFT		pz	1
10	07188005	BEARING		pz	2
11	07189005	GEAR, BALANCE WEIGHT		pz	1
12	06652005	NUT		pz	1
13	07190005	WASHER, CLAW		pz	1
14	07191005	WEIGHT 1		pz	1
15	07192005	SCREW		pz	3
16	07193005	WEIGHT 2		pz	1
17	07194005	KEY, STRAIGHT		pz	1
18	07195005	NUT		pz	1
19	07196005	WASHER, CLAW		pz	1
20	07197020	PISTON ASSY		pz	1
21	07198005	.PISTON (STD)		pz	1
22	07199005	.PISTON RING SET (STD)		pz	1
23	07200005	PIN, PISTON		pz	1
24	07201005	CIRCLIP		pz	2
25	06661005	KEY, WOODRUFF		pz	1

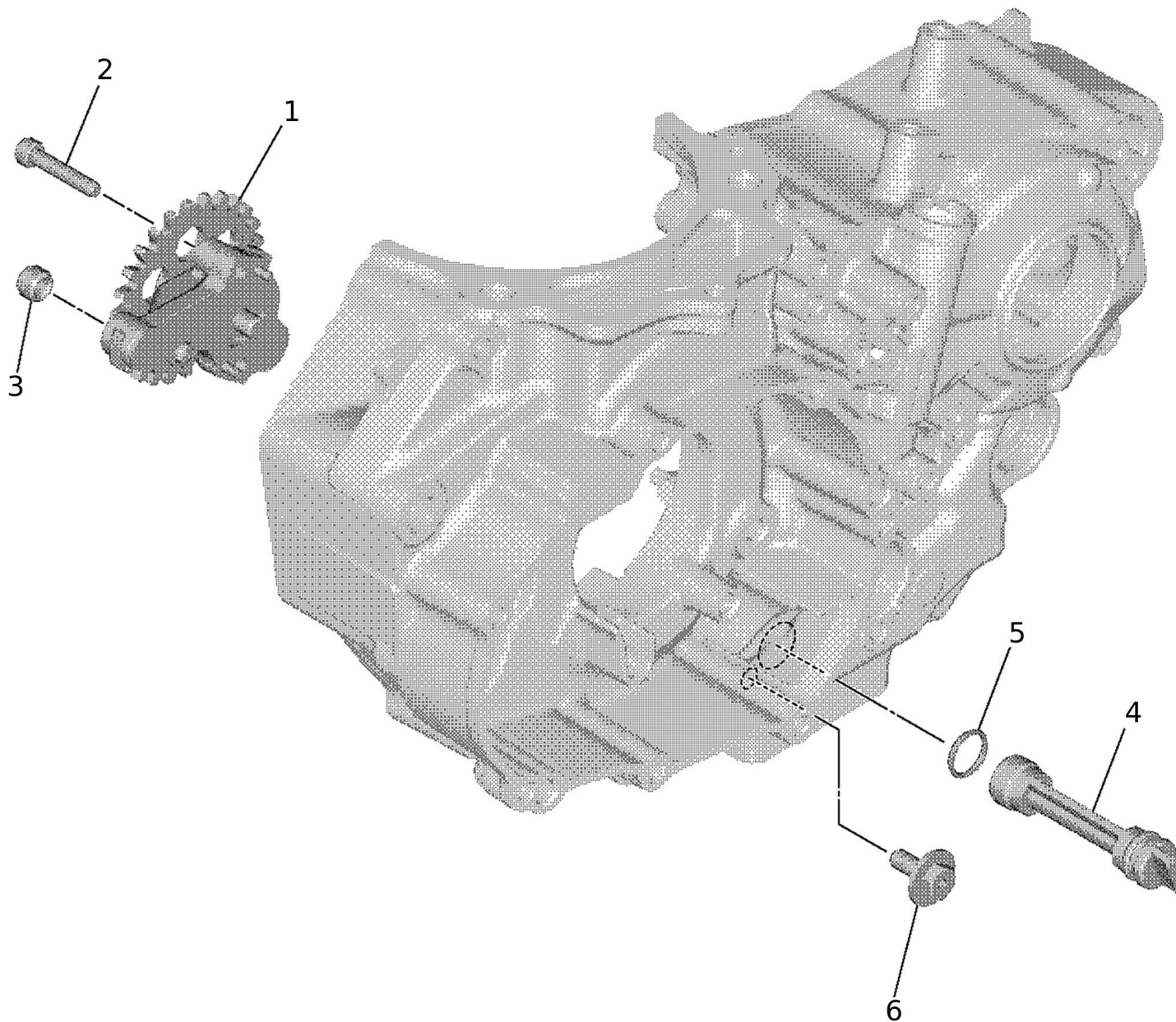




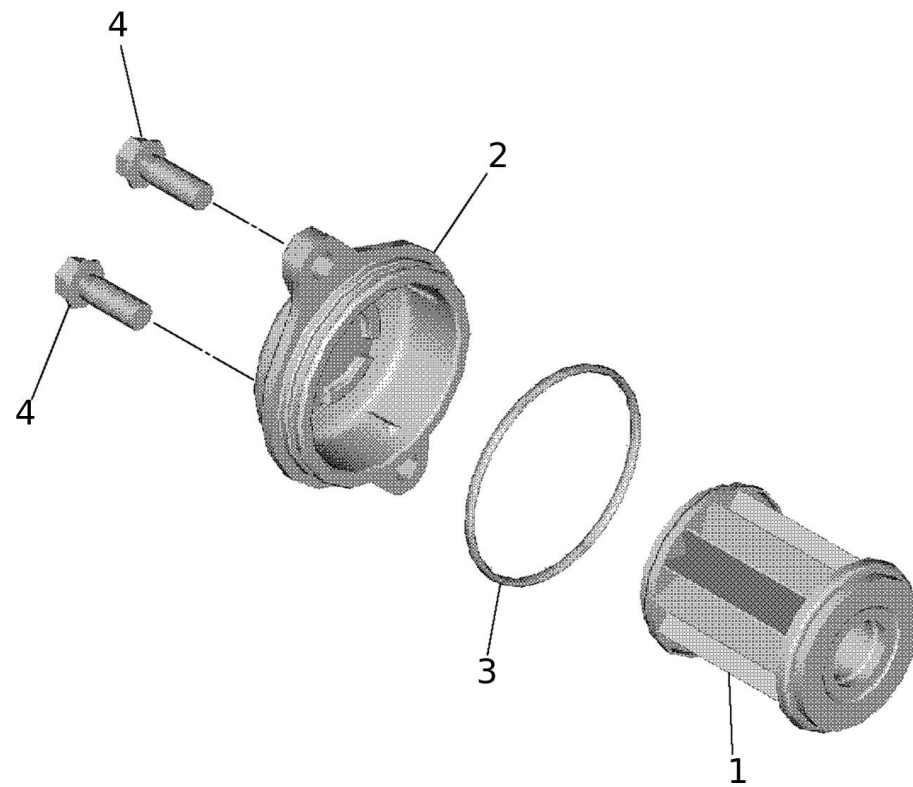
#	Code	Description	Specification	UM	Qty
1	07272005	GEAR PRIMARY DRIVE		pz	1
2	07273005	WASHER CONICAL SPRING		pz	1
3	07274005	NUT		pz	1
4	07275005	PRIMARY DRIVEN GEAR COMP.		pz	1
5	07276005	BOSS, CLUTCH		pz	1
6	07277005	PLATE, PRESSURE 1		pz	1
7	07278005	PLATE, CLUTCH 1		pz	7
8	07279005	PLATE FRICTION		pz	2
9	07280005	SPRING, COMPRESSION		pz	6
10	07281005	SCREW WITH WASHER		pz	6
11	06863005	PLATE THRUST 1		pz	1
12	07282005	PLATE FRICTION		pz	6
13	07283005	WASHER, CLAW		pz	1
14	07284005	NUT		pz	1
15	06875005	ROD, PUSH 1		pz	1
16	06876005	BEARING		pz	1
17	06877005	CIRCLIP		pz	1
18	05926005	BALL		pz	1
19	07285005	ROD, PUSH 2		pz	1
20	09528005	KIT DISCHI GUARNITI		pz	1
21	08922005	KIT DISCHI FRIZIONE-MOLLE-OR XEF450		pz	1



#	Code	Description	Specification	UM	Qty
1	07219005	IMPELLER SHAFT ASSY		pz	1
2	07220005	PIN, DOWEL		pz	1
3	05700005	OIL SEAL		pz	1
4	05701005	OIL SEAL		pz	1
5	05661005	BEARING		pz	1
6	07221005	COLLAR		pz	1
7	05699005	CIRCLIP		pz	1
8	06719005	COVER,CYLINDER HEAD 1		pz	1
9	06720005	GSKT. COVER CYL. HEAD SIDE 1		pz	1
10	05708005	PIN DOWEL		pz	2
11	06708005	BOLT FLANGE DEEP RECESS		pz	4
12	06617005	BOLT FLANGE DEEP RECESS		pz	1
13	05705005	GASKET		pz	1
14	07222005	PIPE, WATER		pz	1
15	07223005	O-RING		pz	1

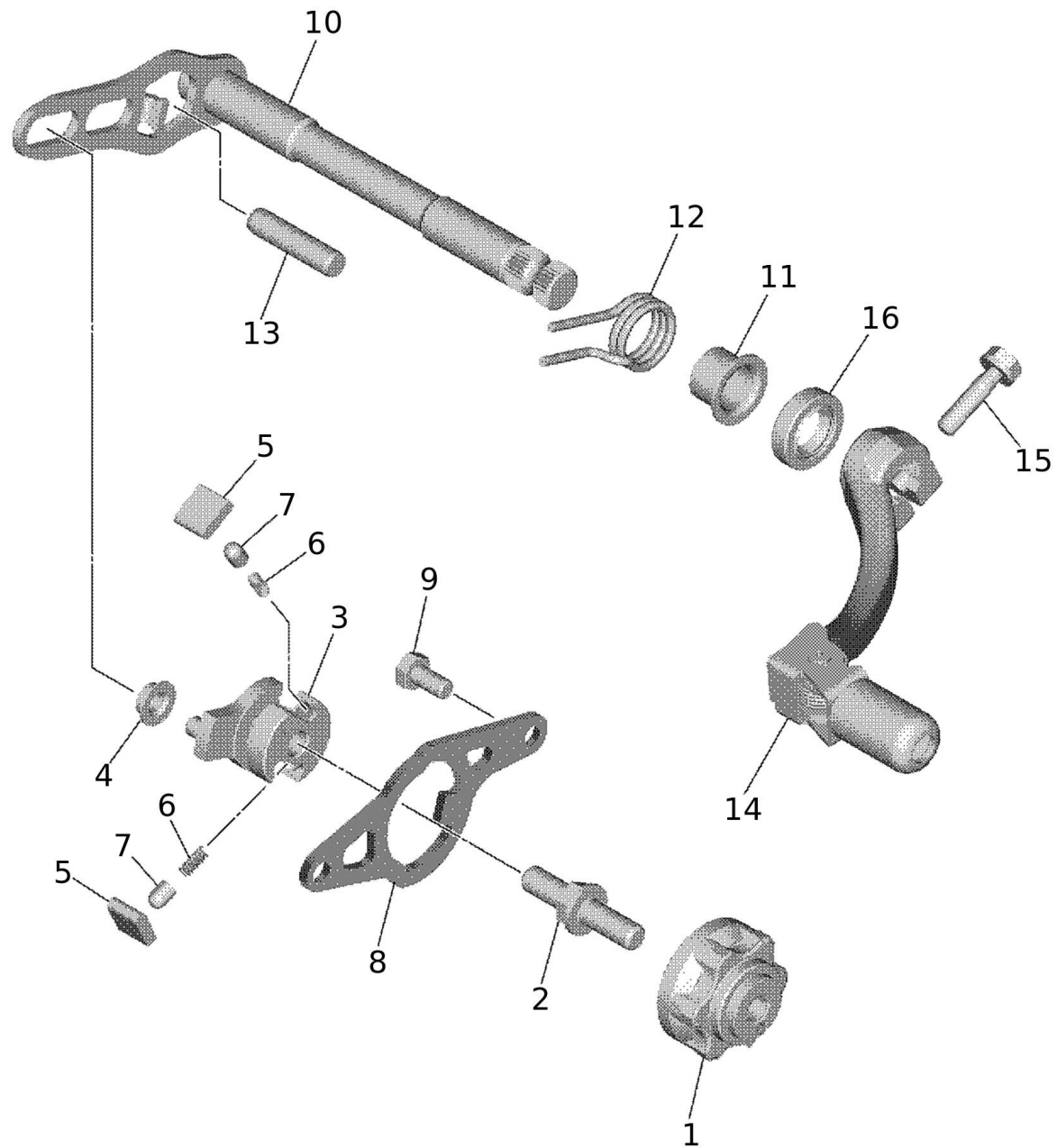


#	Code	Description	Specification	UM	Qty
1	07231005	OIL PUMP ASSY		pz	1
2	06741005	BOLT, HEXAGON SOCKET HEAD		pz	2
3	06742005	GASKET		pz	1
4	06743005	STRAINER OIL		pz	1
5	06744005	O-RING		pz	1
6	06565005	SCREW WITH WASHER		pz	1



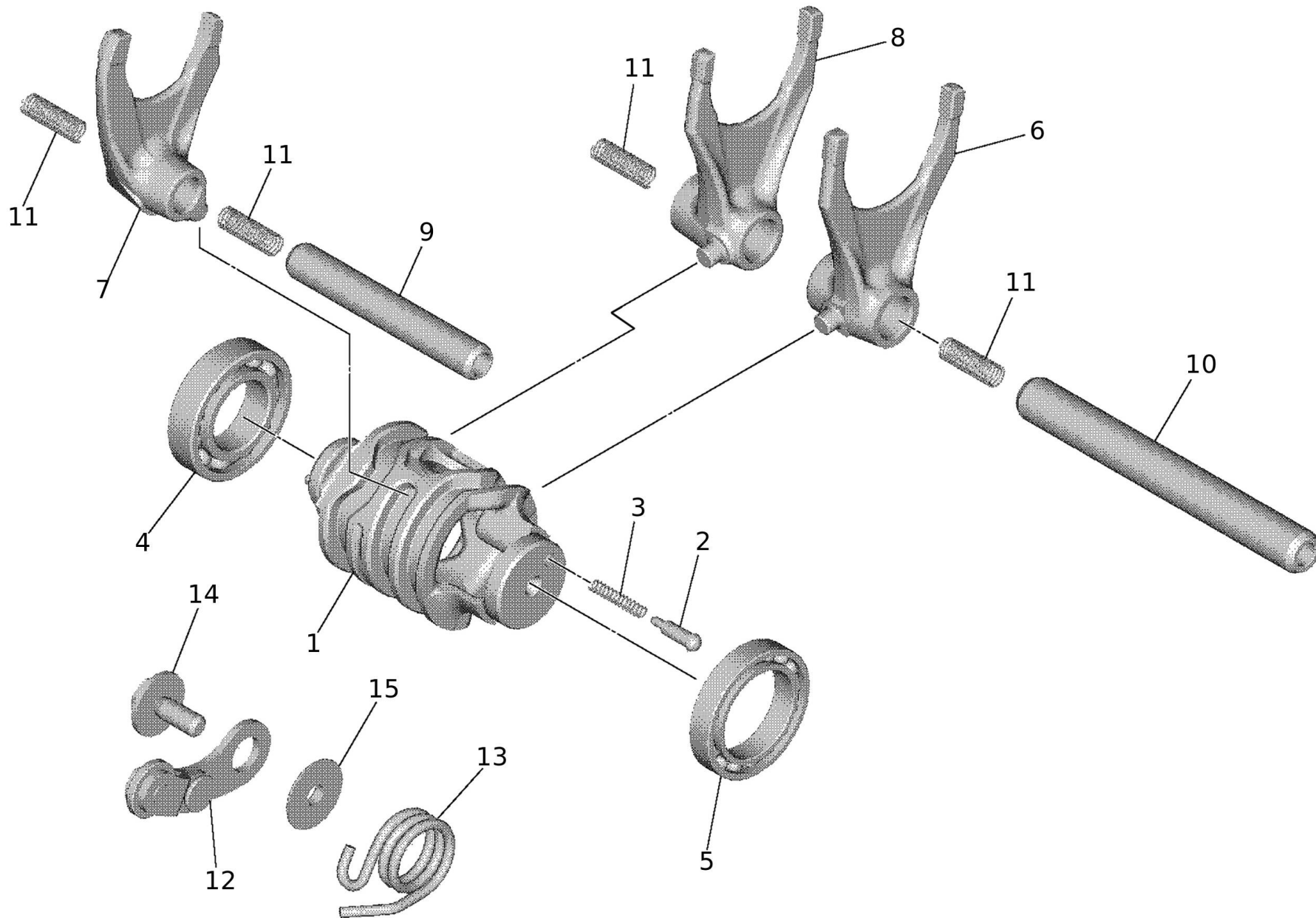
#	Code	Description	Specification	UM	Qty
1	06746005	FILTRO OLIO		pz	1
2	06747005	COVER, OIL ELEMENT		pz	1
3	06748005	O-RING		pz	1
4	06749005	BOLT FLANGE DEEP RECESS		pz	2



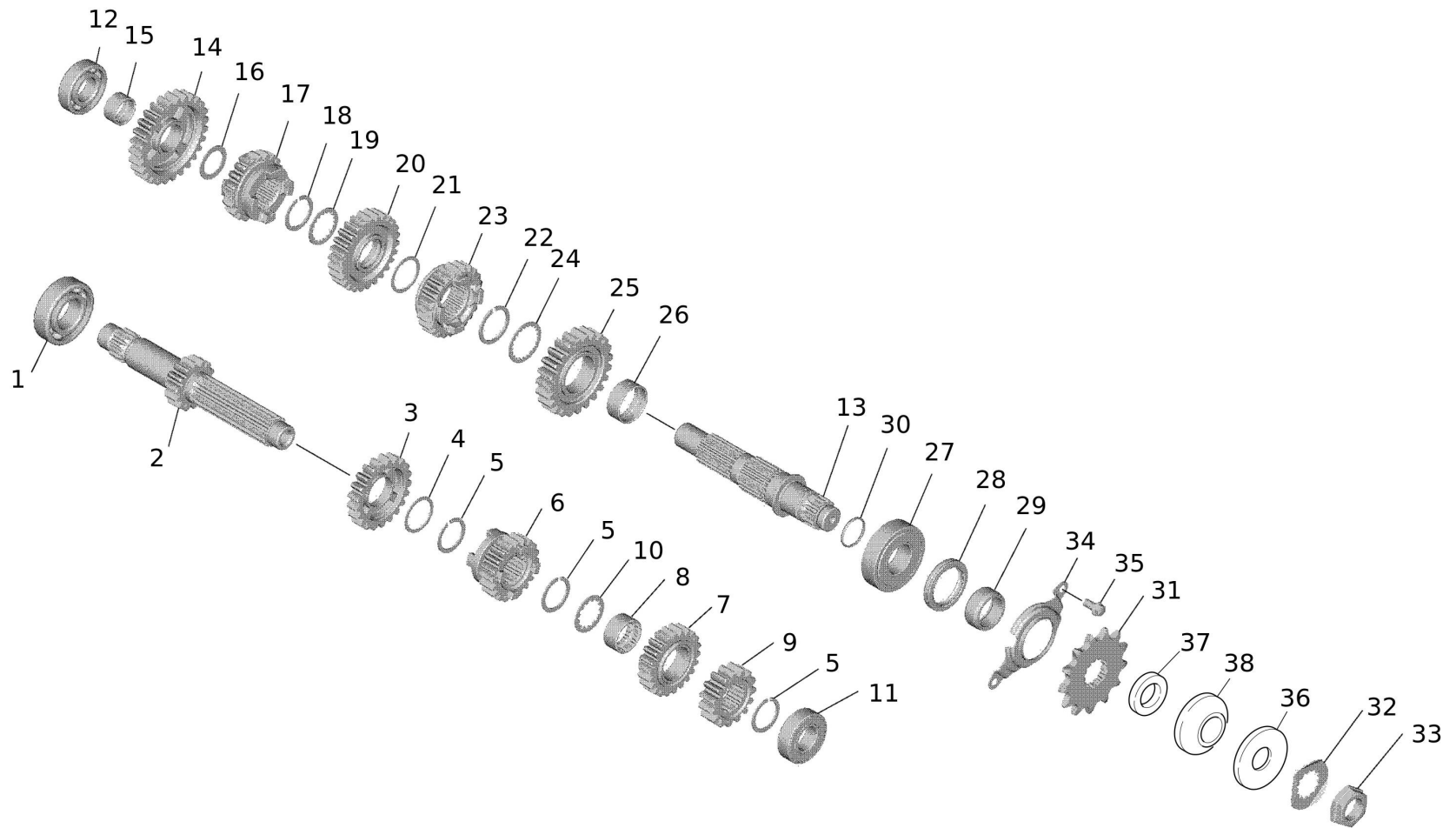




#	Code	Description	Specification	UM	Qty
1	06919005	SEGMENT		pz	1
2	05986005	PIN SHIFT		pz	1
3	07323005	LEVER, SHIFT 2		pz	1
4	05987005	ROLLER SHIFT LEVER		pz	1
5	05988005	PAWL SHIFTER		pz	2
6	05989005	SPRING, COMPRESSION		pz	2
7	05990005	PIN PAWL		pz	2
8	06921005	GUIDE, SHIFT		pz	1
9	05992005	BOLT		pz	2
10	07325005	SHIFT SHAFT ASSY		pz	1
11	06923005	COLLAR		pz	1
12	06924005	SPRING, TORSION		pz	1
13	05982005	PIN DOWEL		pz	1
14	06925005	SHIFT PEDAL ASSY		pz	1
15	06926005	BOLT WITH WASHER		pz	1
16	06927005	OIL SEAL		pz	1

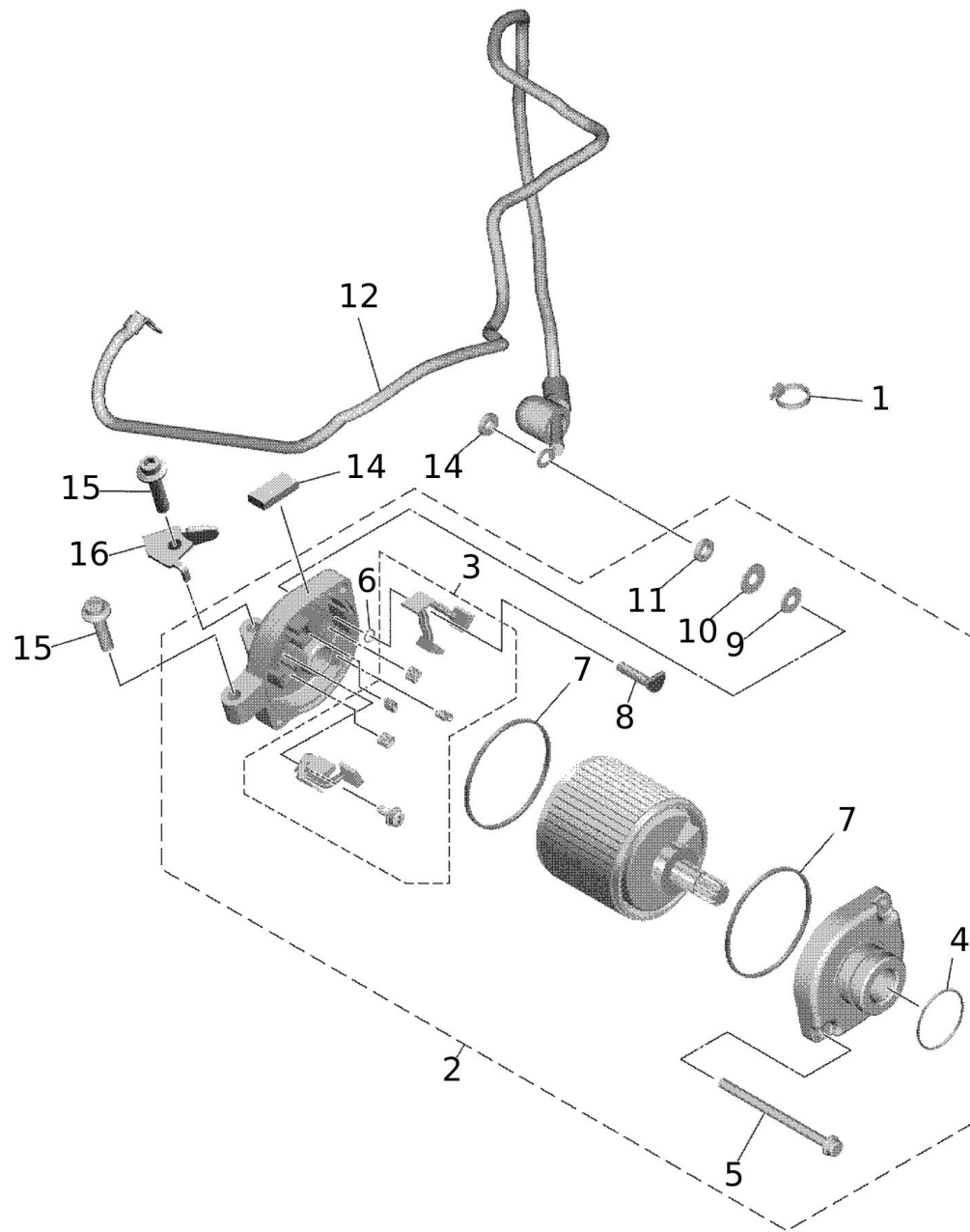


#	Code	Description	Specification	UM	Qty
1	09188005	CAM, SHIFT	XXF	pz	1
1	09221005	CAM, SHIFT	XEF	pz	1
2	06906005	PIN		pz	1
3	06907005	SPRING, COMPRESSION		pz	1
4	06197005	BEARING		pz	1
5	06908005	BEARING		pz	1
6	07320005	FORK, SHIFT 1		pz	1
7	07321005	FORK, SHIFT 2		pz	1
8	07322005	FORK, SHIFT 3		pz	1
9	06912005	BAR SHIFT FORK GUIDE 1		pz	1
10	06913005	BAR SHIFT FORK GUIDE 2		pz	1
11	06914005	SPRING, COMPRESSION		pz	4
12	06915005	STOPPER LEVER ASSY		pz	1
13	06916005	SPRING, TORSION		pz	1
14	06917005	BOLT WITH WASHER		pz	1
15	06918005	SPACER		pz	1



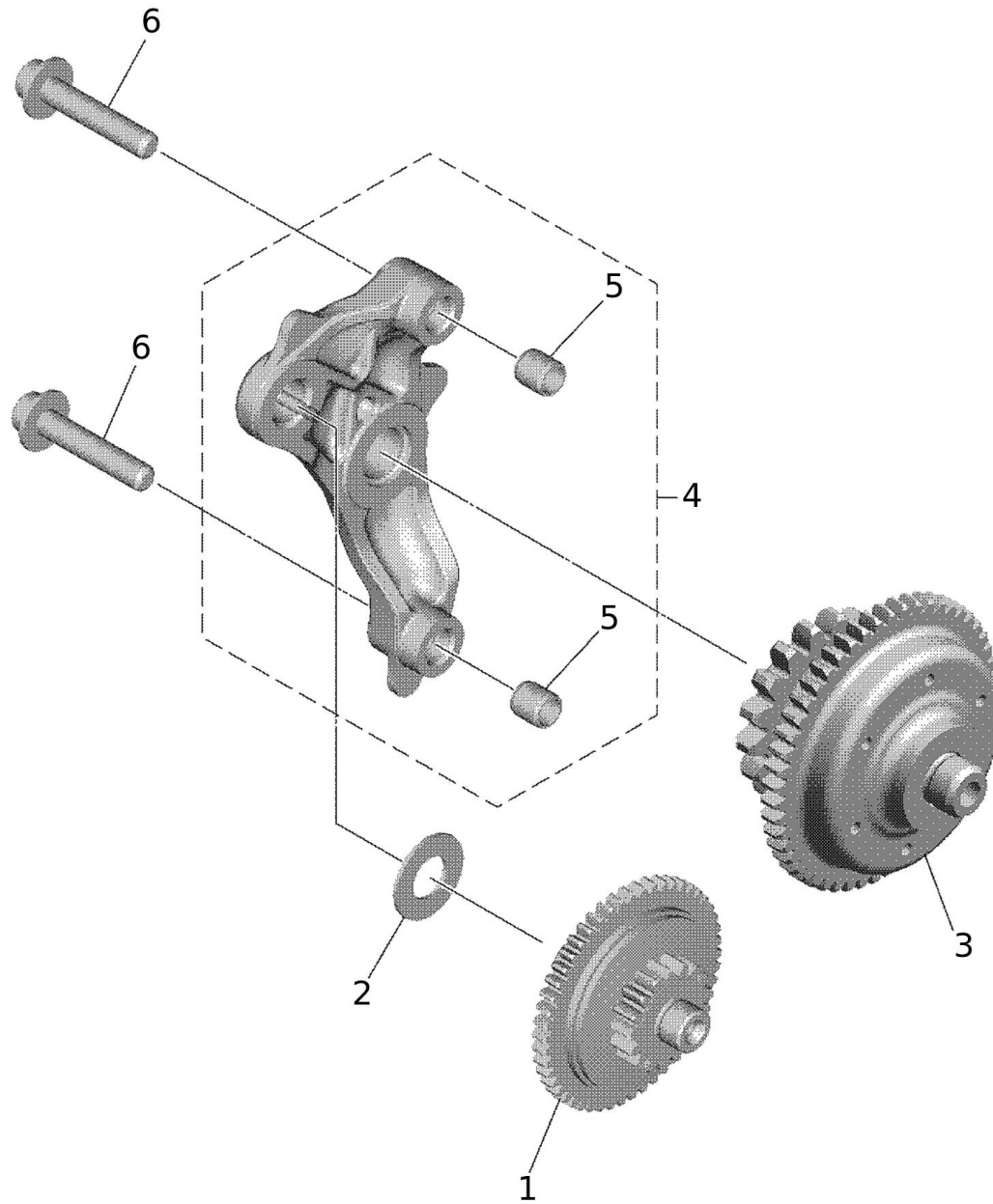
#	Code	Description	Specification	UM	Qty
1	07287005	BEARING		pz	1
2	07288005	AXLE, MAIN	XEF	pz	1
2	09177005	AXLE, MAIN	XXF	pz	1
3	07289005	GEAR, 5TH PINION(25T)	XEF	pz	1
3	09178005	INGRANAGGIO MOVENTE 5A MARCIA (21T)	XXF	pz	1
4	07290005	WASHER PLATE (T=1.0)		pz	1
5	07291005	CIRCLIP		pz	3
6	09179005	INGRANAGGIO MOVENTE 3A MARCIA (20T)	XXF	pz	1
6	09217005	INGRANAGGIO MOVENTE 3A MARCIA (16T)	XEF	pz	1
7	09180005	INGRANAGGIO MOVENTE 4A MARCIA (22T)	XXF	pz	1
7	09218005	INGRANAGGIO MOVENTE 4A MARCIA (20T)	XEF	pz	1
8	07294005	COLLAR		pz	1
9	07295005	INGRANAGGIO MOVENTE 2A MARCIA (15T)	XEF	pz	1
9	09181005	INGRANAGGIO MOVENTE 2A MARCIA (15T)	XXF	pz	1
10	07296005	WASHER		pz	1
11	07297005	BEARING		pz	1
12	07298005	BEARING		pz	1
13	07299005	DRIVE AXLE ASSY		pz	1
14	07300005	INGRANAGGIO CONDOTTO 1A MARCIA (29T)	XEF	pz	1
14	09182005	INGRANAGGIO CONDOTTO 1A MARCIA (27T)	XXF	pz	1
15	07301005	COLLAR		pz	1
16	07302005	WASHER, PLATE		pz	1
17	07303005	GEAR, 5TH WHEEL(21T)	XEF	pz	1
17	09183005	INGRANAGGIO CONDOTTO 5A MARCIA (20T)	XXF	pz	1
18	07291005	CIRCLIP		pz	1
19	07304005	WASHER		pz	1
20	09184005	INGRANAGGIO CONDOTTO 3A MARCIA (26T)	XXF	pz	1
20	09219005	INGRANAGGIO CONDOTTO 3A MARCIA (21T)	XEF	pz	1
21	07290005	WASHER PLATE (T=1.0)		pz	1
22	07306005	CIRCLIP		pz	1
23	09185005	INGRANAGGIO CONDOTTO 4A MARCIA (24T)	XXF	pz	1
23	09220005	INGRANAGGIO CONDOTTO 4A MARCIA (21T)	XEF	pz	1
24	07308005	WASHER		pz	1
25	07309005	INGRANAGGIO CONDOTTO 2A MARCIA (26T)	XEF	pz	1
25	09186005	INGRANAGGIO CONDOTTO 2A MARCIA (23T)	XXF	pz	1
26	07310005	COLLAR		pz	1
27	07311005	BEARING		pz	1
28	07312005	OIL SEAL		pz	1
29	07313005	COLLAR		pz	1
30	07314005	O-RING		pz	1

#	Code	Description	Specification	UM	Qty
31	08736005	SPROCKET DRIVE(13T)		pz	1
32	07316005	WASHER, CLAW		pz	1
33	07317005	NUT		pz	1
34	07318005	PLATE, COVER		pz	1
35	09187005	BOLT, WITH WASHER		pz	2
36	08570005	BOCCOLA GOMMATURA PIGNONE XEF 450		pz	2
37	08571005	GOMMATURA PIGNONE XEF450		pz	2
38	08573005	MOLLA TAZZA 40.0X20.4X1		pz	2

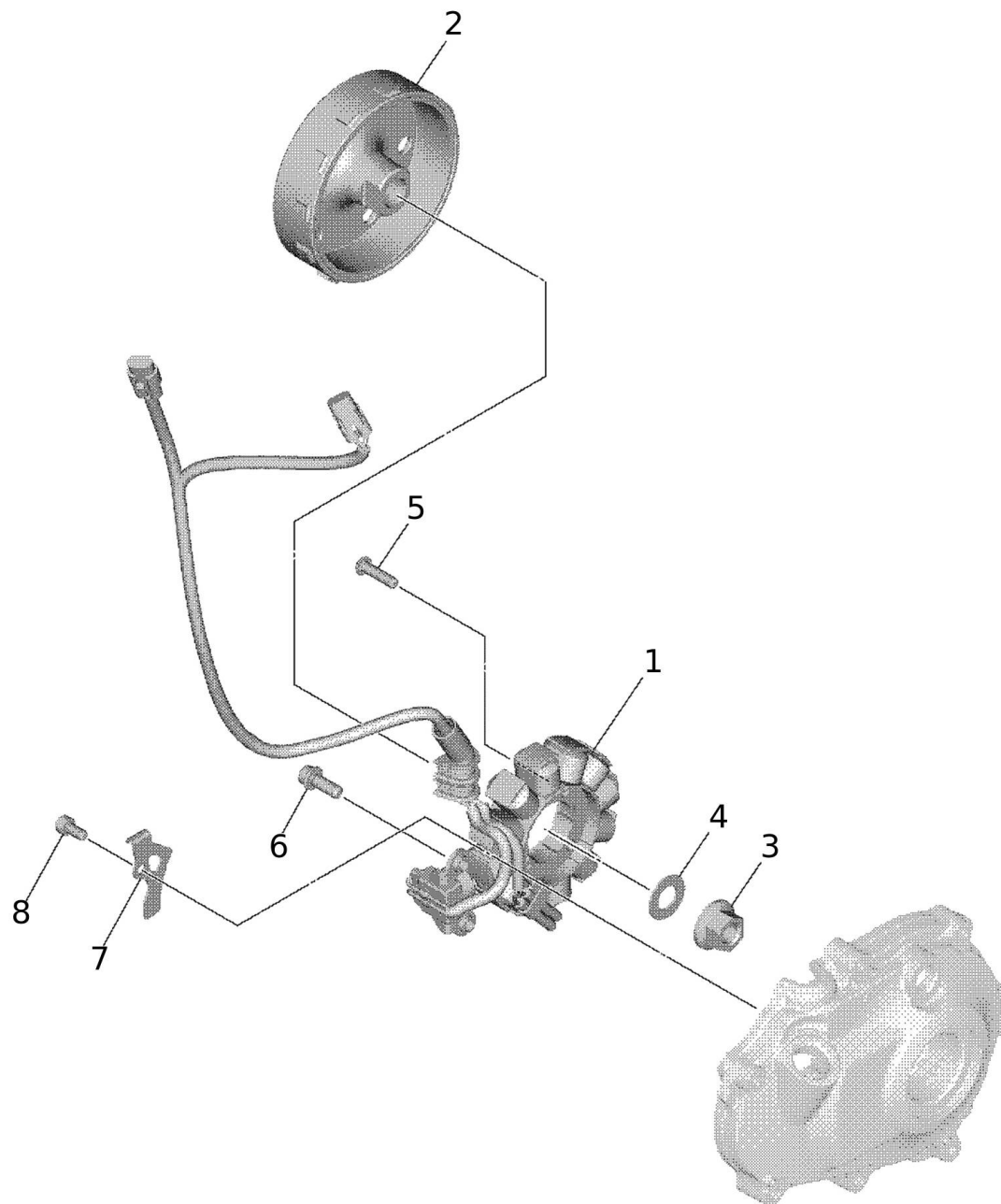


#	Code	Description	Specification	UM	Qty
1	07340005	FASCETTA		pz	1
2	07342005	MOTOR ASSY		pz	1
3	07343005	BRUSH SET		pz	1
4	07344005	.O-RING 1		pz	1
5	07345005	SCREW, PAN HEAD		pz	2
6	07346005	.O-RING 1		pz	1
7	07347005	GASKET		pz	2
8	07348005	SCREW, PAN HEAD		pz	1
9	07349005	WASHER, PLATE		pz	1
10	07350005	WASHER		pz	1
11	07351005	NUT		pz	1
12	07352005	CAVO	XEF	pz	1
12	09206005	CAVO	XXF	pz	1
13	07351005	NUT		pz	1
14	09527005	GROMMET		pz	1
15	07353005	BOLT, HEXAGON SOCKET HEAD		pz	2
16	07341020	COVER		pz	1

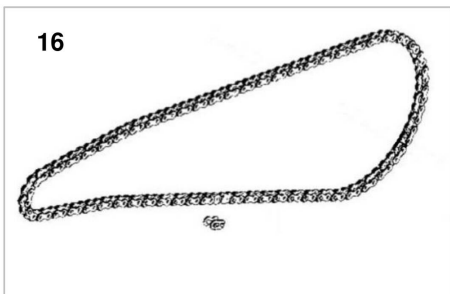
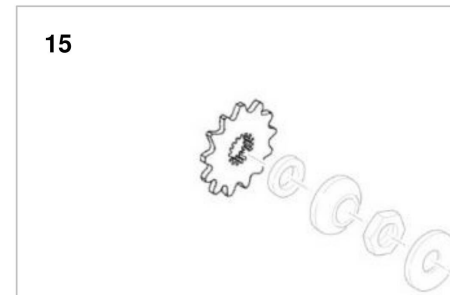
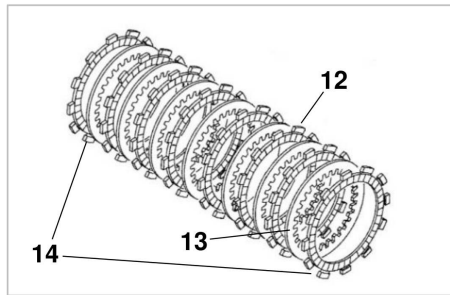
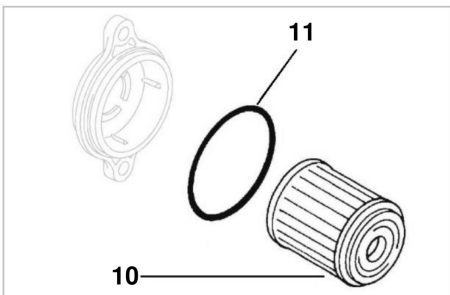
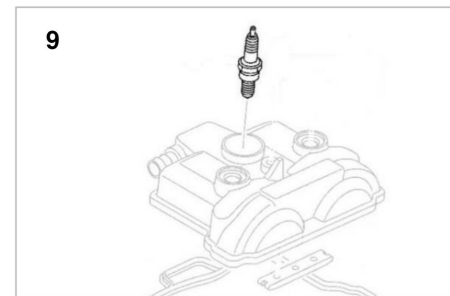
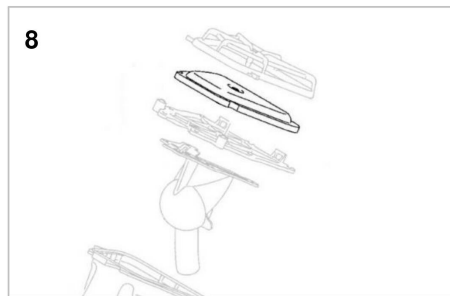
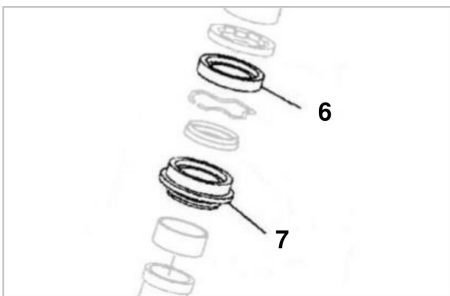
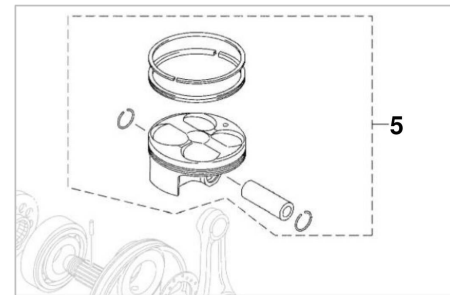
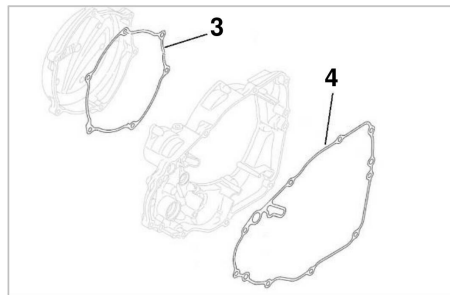
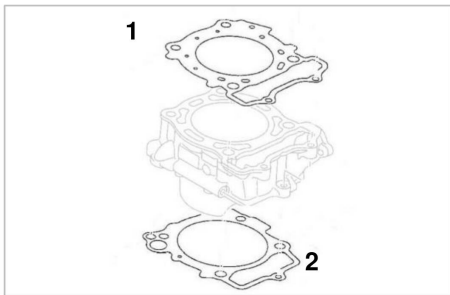




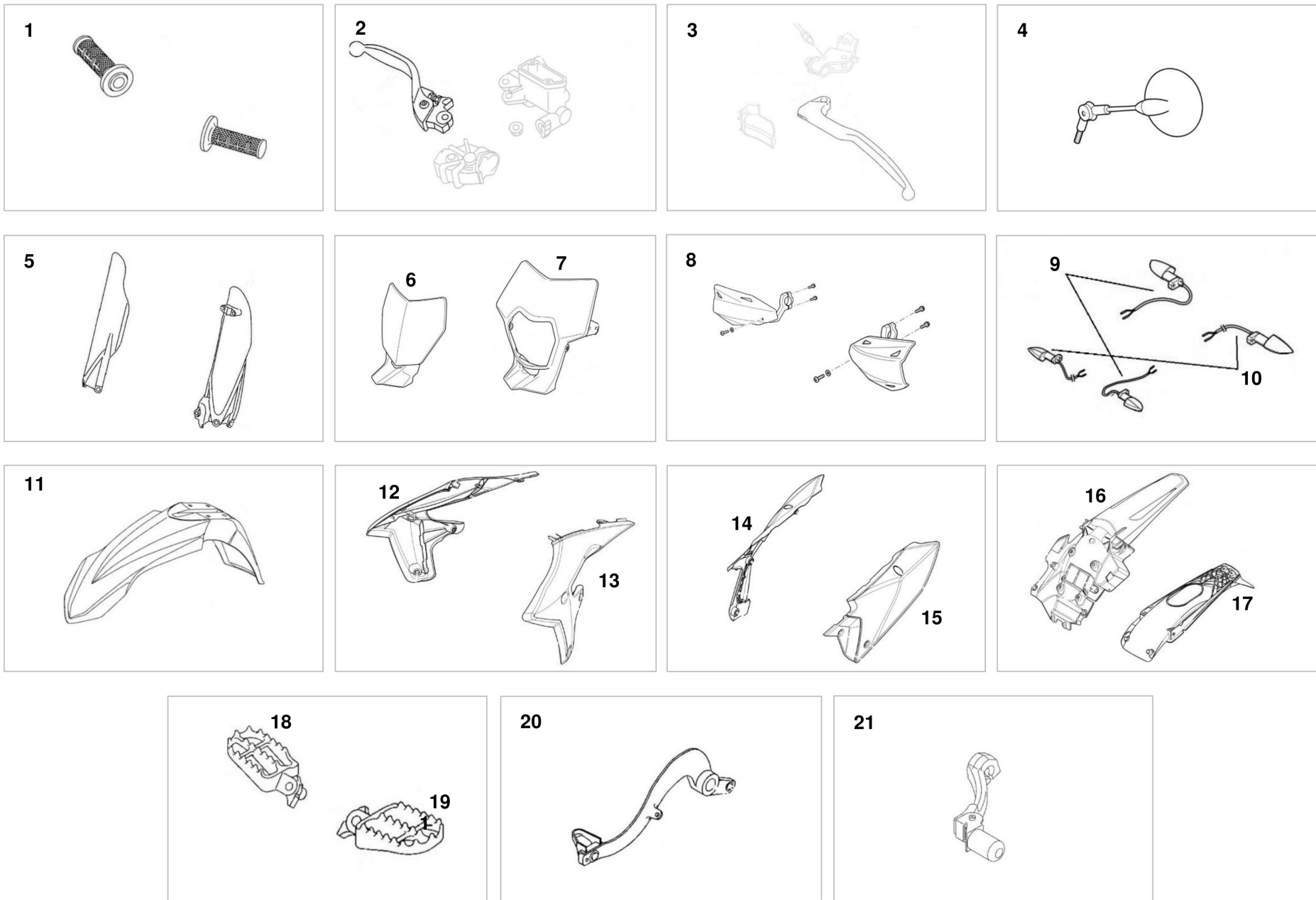
#	Code	Description	Specification	UM	Qty
1	07267005	DAMPER ASSY		pz	1
2	06350005	WASHER		pz	1
3	07268005	STARTER CLUTCH ASSY		pz	1
4	07269020	HOLDER		pz	1
5	07270005	PIN, DOWEL		pz	2
6	07271005	BOLT, HEXAGON SOCKET HEAD		pz	2



#	Code	Description	Specification	UM	Qty
1	09094005	STAORE XXF450	XXF	pz	1
1	09228005	STATOR ASSY	XEF	pz	1
2	07093005	ROTOR ASSY	XEF	pz	1
2	08292005	ROTOR ASSY	XXF	pz	1
3	07094005	NUT		pz	1
4	06376005	WASHER PLATE		pz	1
5	07095005	SCREW, PAN HEAD		pz	3
6	07096005	BOLT, HEXAGON SOCKET HEAD		pz	2
7	07097005	CLAMP 1		pz	1
8	07098005	BOLT, HEXAGON SOCKET HEAD		pz	1



#	Code	Description	Specification	UM	Qty
1	07168005	GASKET CYLINDER HEAD 1		pz	1
2	07178005	GASKET CYLINDER		pz	1
3	07265005	GASKET CRANKCASE COVER		pz	1
4	07263005	GASKET CRANKCASE COVER 3		pz	1
5	07197020	PISTON ASSY		pz	1
6	07011005	OIL SEAL		pz	2
7	06114005	SEAL DUST		pz	2
8	06765005	ELEMENT AIR CLEANER		pz	1
9	07540005	CANDELA NGK LMAR8G		pz	1
10	06746005	FILTRO OLIO		pz	1
11	06748005	O-RING		pz	1
12	07282005	PLATE FRICTION		pz	1
13	07278005	PLATE, CLUTCH 1		pz	1
14	07279005	PLATE FRICTION		pz	1
15	08736005	SPROCKET DRIVE(13T)		pz	1
16	06268005	CHAIN 520 114 LINKS WITH MASTER JOINT	XEF	pz	1
16	09379001	CATENA DID 520 114 MAGLIE APERTA	XXF	pz	1
17	07060005	SPROCKET DRIVEN (51T)		pz	1
17	07061005	SPROCKET DRIVEN (48T)		pz	1
17	07062005	SPROCKET DRIVEN (50T)		pz	1
17	07063005	SPROCKET DRIVEN (52T)		pz	1
17	08468001	CORONA POST 51D MY22		pz	1
17	08696005	CORONA POST Z 50 MY22		pz	1
17	08697005	CORONA POST 49D MY22		pz	1
18	09225020	KIT MINUTERIE OFF-ROAD		pz	1



#	Code	Description	Specification	UM	Qty
1	07437005	OFF-ROAD KNOB PAIR		pz	1
2	08740005	LEVA FRENO ANT.		pz	1
3	07110005	LEVER 1	XEF	pz	1
3	08295005	LEVER 1	XXF	pz	1
4	07407005	REAR-VIEW MIRROR E-141 WITH IRON CLAMP		pz	2
5	07364005	KIT FORK GUARD XEF	XEF XEF	pz	1
5	07662005	FORK SLIDER PROTECTORS (PAIR)	XXF	pz	1
6	07503005	FRONT PLATE NUMBER OFF-ROAD	XXF	pz	1
7	07501005	HEADLIGHT FAIRING XE/XEF		pz	1
8	02163005	HANDGUARD (WHITE) WITHOUT STICKER		pz	1
9	05120005	DIRECTION INDICATOR FRONT RH / REAR LH	XEF	pz	2
10	05121005	DIRECTION INDICATOR FRONT LH / REAR RH	XEF	pz	2
11	07500005	FRONT FENDER OFF-ROAD WHITE		pz	1
12	07506005	SIDE FAIRING		pz	1
13	07505005	SIDE FAIRING		pz	1
14	07508005	SIDE FAIRING		pz	1
15	07507005	SIDE FAIRING		pz	1
16	07509005	MUDGUARD	XEF	pz	1
16	08117005	PARAFANGO POSTERIORE XXF	XXF	pz	1
17	07368005	LICENSE PLATE		pz	1
18	08532005	PEDANA DESTRA		pz	1
19	08531005	PEDANA SINISTRA		pz	1
20	07078005	PEDAL BRAKE		pz	1
21	06925005	SHIFT PEDAL ASSY		pz	1