



Spare parts catalogue  
**XX 125 MY23-MY24**

# Index

<b>Models</b> .....	4
<b>Frame</b> .....	6
<b>Swingarm</b> .....	9
<b>Shock Absorber</b> .....	11
<b>Steering plates</b> .....	13
<b>Fork</b> .....	15
<b>Front wheel</b> .....	17
<b>Rear wheel</b> .....	19
<b>Front Brake</b> .....	21
<b>Rear Brake</b> .....	23
<b>Radiators</b> .....	26
<b>Fuel tank</b> .....	28
<b>Intake</b> .....	30
<b>Exhaust</b> .....	32
<b>Handlebar - Controls</b> .....	34
<b>Front Bodywork</b> .....	36
<b>Rear Bodywork</b> .....	38
<b>Wiring</b> .....	40
<b>Booklets - Decalco</b> .....	42
<b>Crankcase</b> .....	44
<b>Crankcase Covers</b> .....	46
<b>Motor shaft - Piston</b> .....	48
<b>Head - Cylinder</b> .....	50
<b>Clutch</b> .....	52
<b>Water pump</b> .....	54
<b>Exhaust valve control</b> .....	56
<b>Shift control</b> .....	58
<b>SHIFT CAM</b> .....	60
<b>Gear Shift</b> .....	62
<b>Starter</b> .....	64

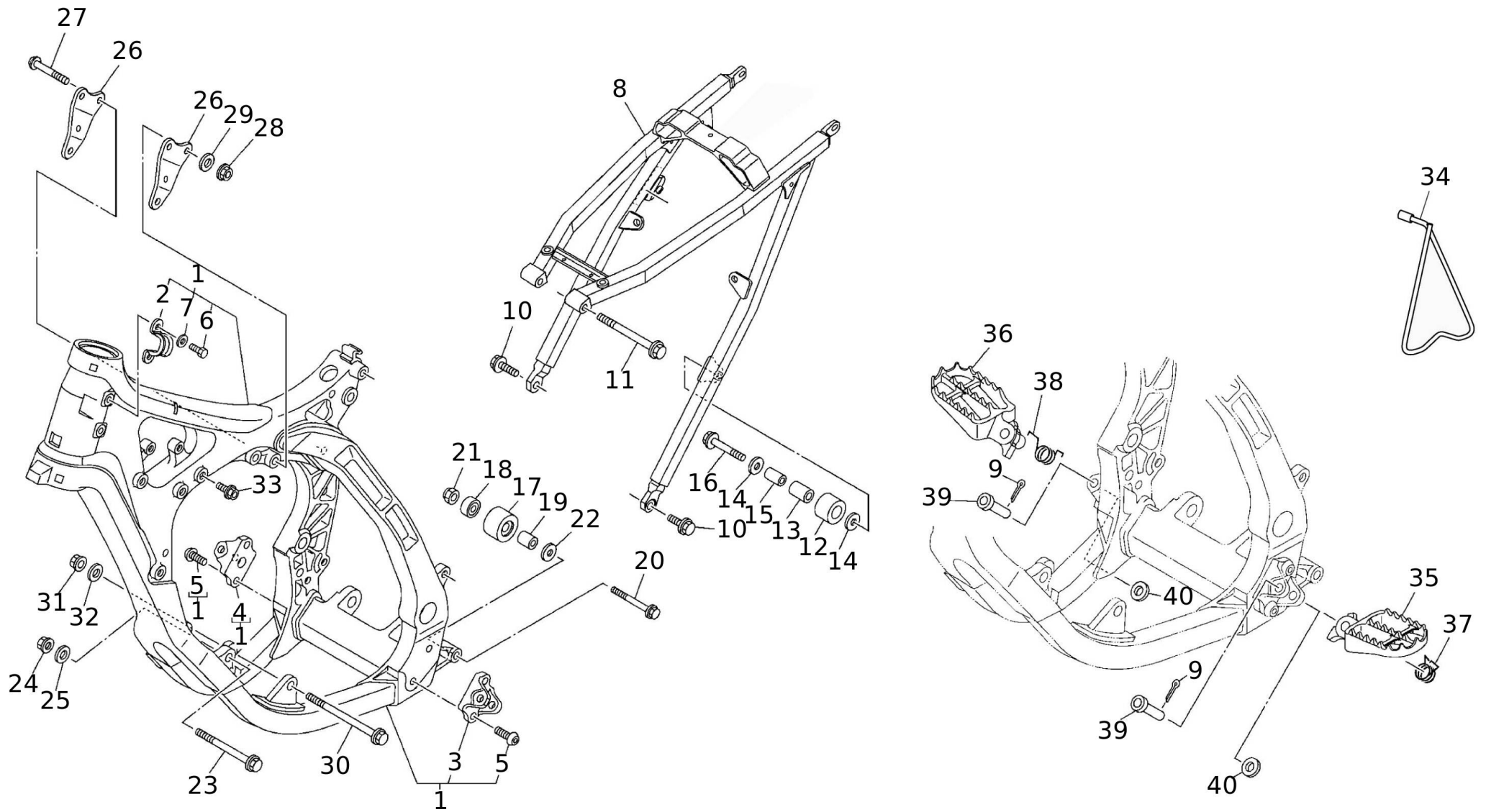
<b>Flywheel .....</b>	<b>66</b>
<b>CARBURETOR ASSY 1 .....</b>	<b>68</b>
<b>100 - Suggested Spare Parts 2-Stroke .....</b>	<b>72</b>
<b>101 - Suggested Spare Parts 2 Stroke .....</b>	<b>74</b>



XX 125  
XX

#	Code	Description	Specification	UM	Qty
---	------	-------------	---------------	----	-----





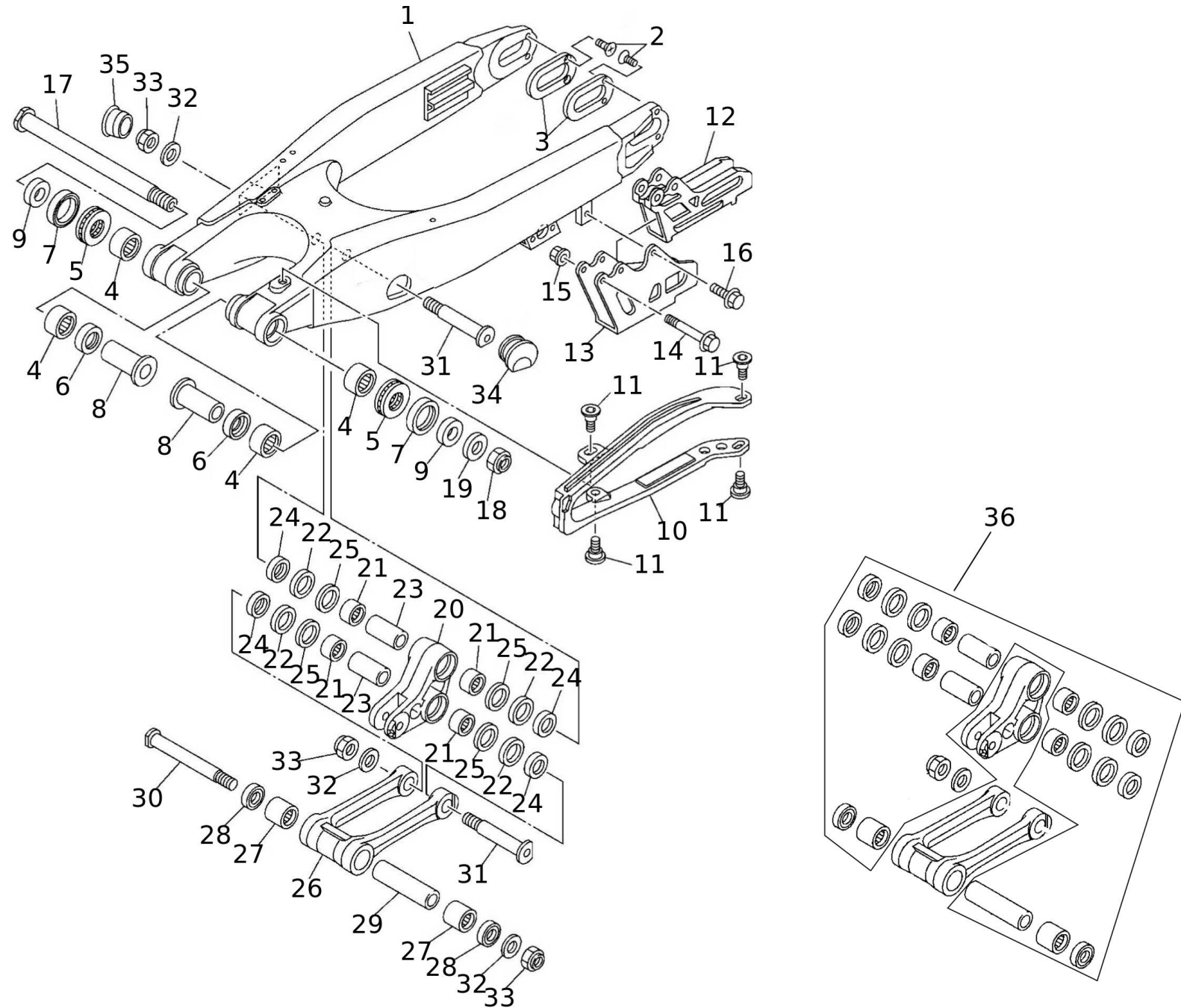
#	Code	Description	Specification	UM	Qty
1	05993005	GRUPPO TELAIO ANTERIORE		pz	1
2	05994005	CLAMP WIRE HARNESS		pz	1
3	05995005	BRACKET FOOTREST		pz	1
4	05996005	BRACKET FOOTREST		pz	1
5	05997005	VITE M10X20 PASSO 1.25 TORX		pz	4
6	05998005	BOLT		pz	2
7	05999005	WASHER		pz	2
8	06000005	REAR FRAME COMP.		pz	1
9	06344005	PIN COTTER		pz	2
10	09422005	BOLT M8X18, COLLAR 19		pz	2
11	06003005	BOLT FLANGE		pz	1
12	06004005	TENDITORE SUPERIORE CATENA		pz	1
13	06005005	BOCCOLA		pz	1
14	06006005	WASHER		pz	2
15	06007005	BOCCOLA		pz	1
16	06933005	VITE 8X40 (TF 24) TE10 FLANGIA 14.5		pz	1
17	06009005	TENSIONER		pz	1
18	06010005	BEARING		pz	1
19	06011005	BOCCOLA		pz	1
20	06012005	BOLT FLANGE (SMALL HEAD)		pz	1
21	06013005	DADO AUTOBLOCCANTE		pz	1
22	06014005	WASHER		pz	1
23	06015005	BOLT FLANGE		pz	1
24	06016005	DADO FLANGIATO		pz	1
25	06017005	RONDELLA 21.6X1.6		pz	1
26	08662005	BRACKET, REAR UPPER 1		pz	2
27	06019005	BOLT,HEX. SOCKET BUTTON		pz	3
28	06020005	NUT		pz	3
29	06021005	WASHER PLATE		pz	3
30	06022005	VITE M10X130 (T.F. 33) TE FLANGIATA		pz	1
31	06016005	DADO FLANGIATO		pz	1
32	06017005	RONDELLA 21.6X1.6		pz	1
33	06025005	NUT		pz	2
34	06345005	STAND SIDE		pz	1
35	06338005	FOOTREST 1		pz	1
36	06339005	FOOTREST 2		pz	1
37	06340005	SPRING TORSION		pz	1
38	06341005	SPRING TORSION		pz	1
39	06342005	PIN CLEVIS		pz	2
40	06343005	WASHER		pz	2

#	Code	Description	Specification	UM	Qty
---	------	-------------	---------------	----	-----

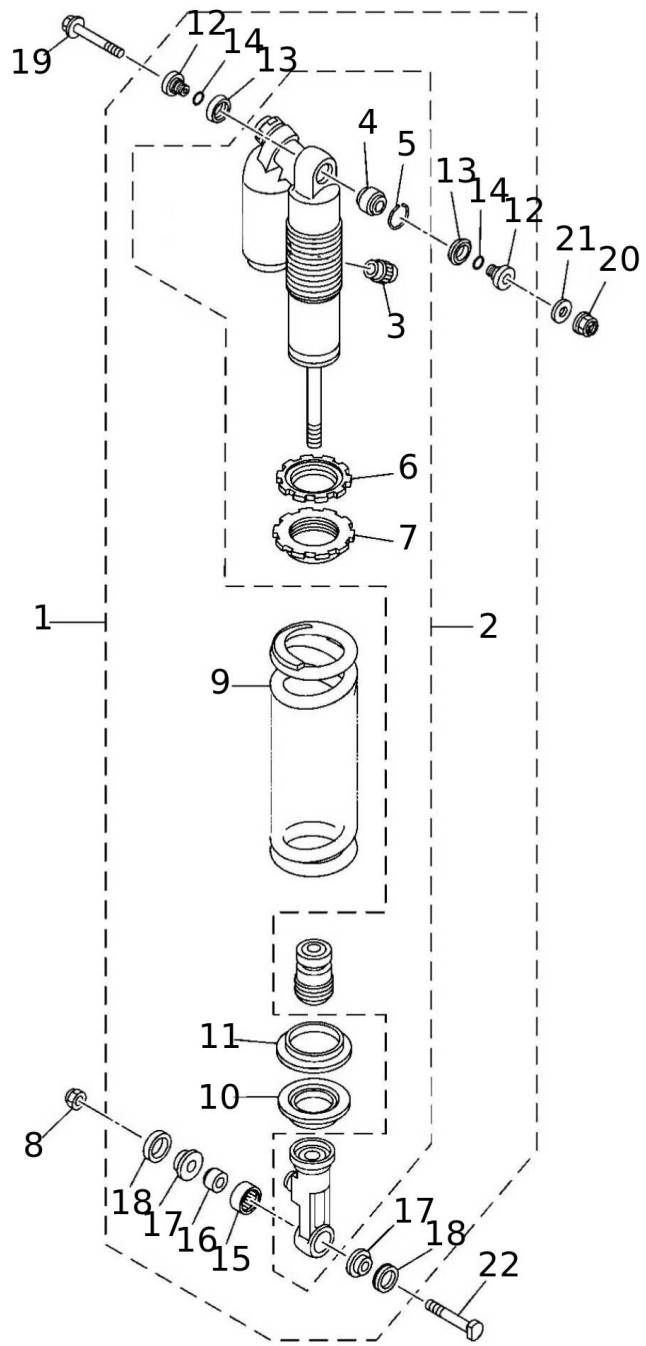


Frame

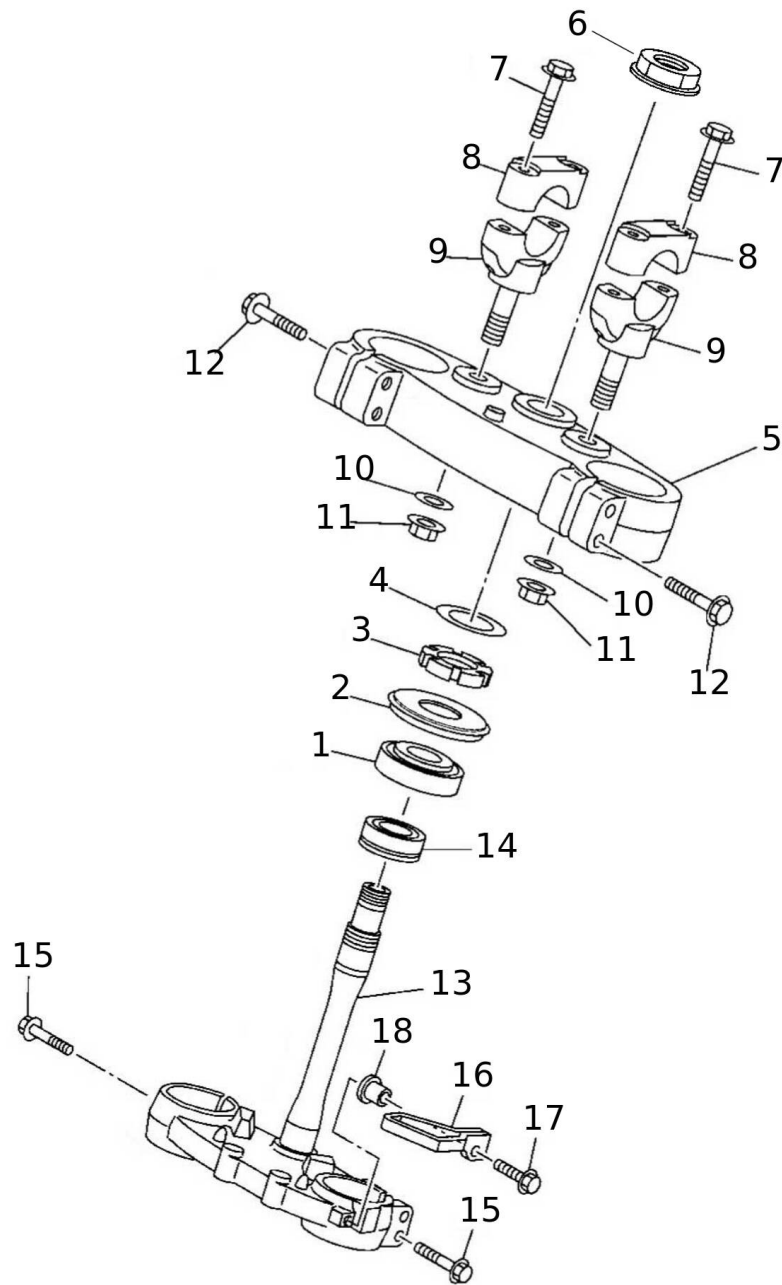




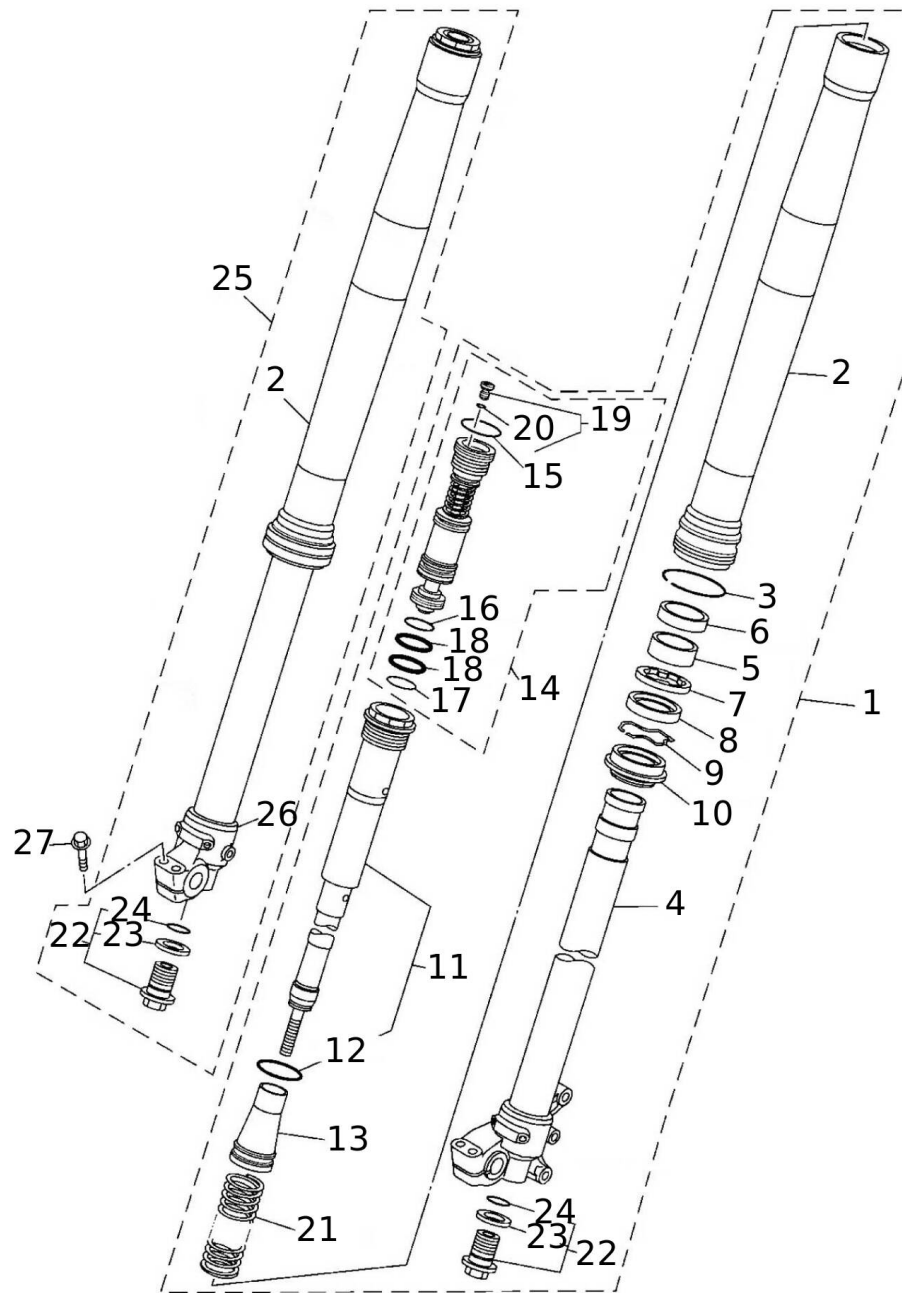
#	Code	Description	Specification	UM	Qty
1	06031005	REAR ARM COMP.		pz	1
2	06032005	SCREW COUNTERSUNK		pz	4
3	06033005	PATCH		pz	2
4	06034005	BEARING		pz	4
5	06035005	BEARING		pz	2
6	06036005	OIL SEAL		pz	2
7	06037005	OIL SEAL		pz	2
8	06038005	BOCCOLA		pz	2
9	06039005	BOCCOLA		pz	2
10	06040005	SEAL GUARD		pz	1
11	06041005	SCREW		pz	4
12	06042005	SUPPORT CHAIN		pz	1
13	06043005	COPERTURA SUPPORTO CATENA		pz	1
14	06044005	BOLT FLANGE		pz	2
15	06045005	NUT		pz	2
16	06617005	BOLT FLANGE DEEP RECESS		pz	1
17	06047005	PERNO FORCELLONE		pz	1
18	06048005	DADO AUTOBLOCCANTE		pz	1
19	06049005	WASHER		pz	1
20	06050005	ARM RELAY		pz	1
21	06051005	BEARING		pz	4
22	06052005	OIL SEAL		pz	4
23	06053005	BOCCOLA		pz	2
24	06054005	WASHER		pz	4
25	06055005	WASHER		pz	4
26	06056005	ROD CONNECTING 1		pz	1
27	06051005	BEARING		pz	2
28	06058005	OIL SEAL		pz	2
29	06059005	BOCCOLA		pz	1
30	06060005	PERNO 1		pz	1
31	06061005	PERNO 2		pz	2
32	06062005	WASHER		pz	3
33	06063005	DADO AUTOBLOCCANTE		pz	3
34	06064005	COVER		pz	1
35	06065005	COVER 2		pz	1
36	09466005	KIT REVISIONE BIELLISMO		pz	1



#	Code	Description	Specification	UM	Qty
1	08704005	SHOCK ABSORBER ASSY, REAR		pz	1
2	09290005	DAMPER SUB ASSY		pz	1
3	06069005	CAP AIR VALVE		pz	1
4	06070005	UNIBALL AMMORTIZZATORE		pz	1
5	06071005	ANELLO ELASTICO		pz	1
6	06072005	GUIDE SPRING		pz	1
7	09465005	GHIERA AMMORTIZZATORE		pz	1
8	06089005	DADO M10 AUTOBLOCCANTE FLANGIATO		pz	1
9	06075005	REAR SHOCK SPRING (K=46N/MM)	Accessory	pz	1
9	06401005	REAR SHOCK SPRING (K=42N/MM)	Accessory	pz	1
9	06402005	REAR SHOCK SPRING (K=44N/MM)	Accessory	pz	1
9	06403005	REAR SHOCK SPRING (K=48N/MM)	STD	pz	1
9	06404005	REAR SHOCK SPRING (K=50N/MM)	Accessory	pz	1
9	06405005	REAR SHOCK SPRING (K=52N/MM)	Accessory	pz	1
9	06406005	REAR SHOCK SPRING (K=54N/MM)	Accessory	pz	1
9	06407005	REAR SHOCK SPRING (K=56N/MM)	Accessory	pz	1
9	06408005	SPRING (K=APPROX.44N/MM)	Accessory	pz	1
9	06409005	SPRING (K=APPROX.46N/MM)	Accessory	pz	1
9	06410005	SPRING (K=APPROX.48N/MM)	Accessory	pz	1
9	06411005	SPRING (K=APPROX.50N/MM)	Accessory	pz	1
9	06412005	SPRING (K=APPROX.52N/MM)	Accessory	pz	1
9	06413005	SPRING (K=APPROX.54N/MM)	Accessory	pz	1
9	06414005	SPRING (K=APPROX.56N/MM)	Accessory	pz	1
10	06076005	GUIDA MOLLA INFERIORE		pz	1
11	06077005	GUIDA MOLLA SUPERIORE		pz	1
12	06078005	BOCCOLA DISTANZIALE		pz	2
13	06079005	PARAPOLVERE		pz	2
14	06080005	ANELLO DI GUARNIZIONE		pz	2
15	06081005	BEARING		pz	1
16	06082005	BEARING		pz	1
17	06083005	BOCCOLA DISTANZIALE		pz	2
18	06084005	PARAPOLVERE		pz	2
19	06085005	VITE M10X66 (T.F. 16) TESTA SPECIALE		pz	1
20	06086005	DADO M10 AUTOBLOCCANTE FLANGIATO		pz	1
21	06017005	RONDELLA 21.6X1.6		pz	1
22	06088005	VITE M10X45 (T.F. 10) TESTA SPECIALE		pz	1



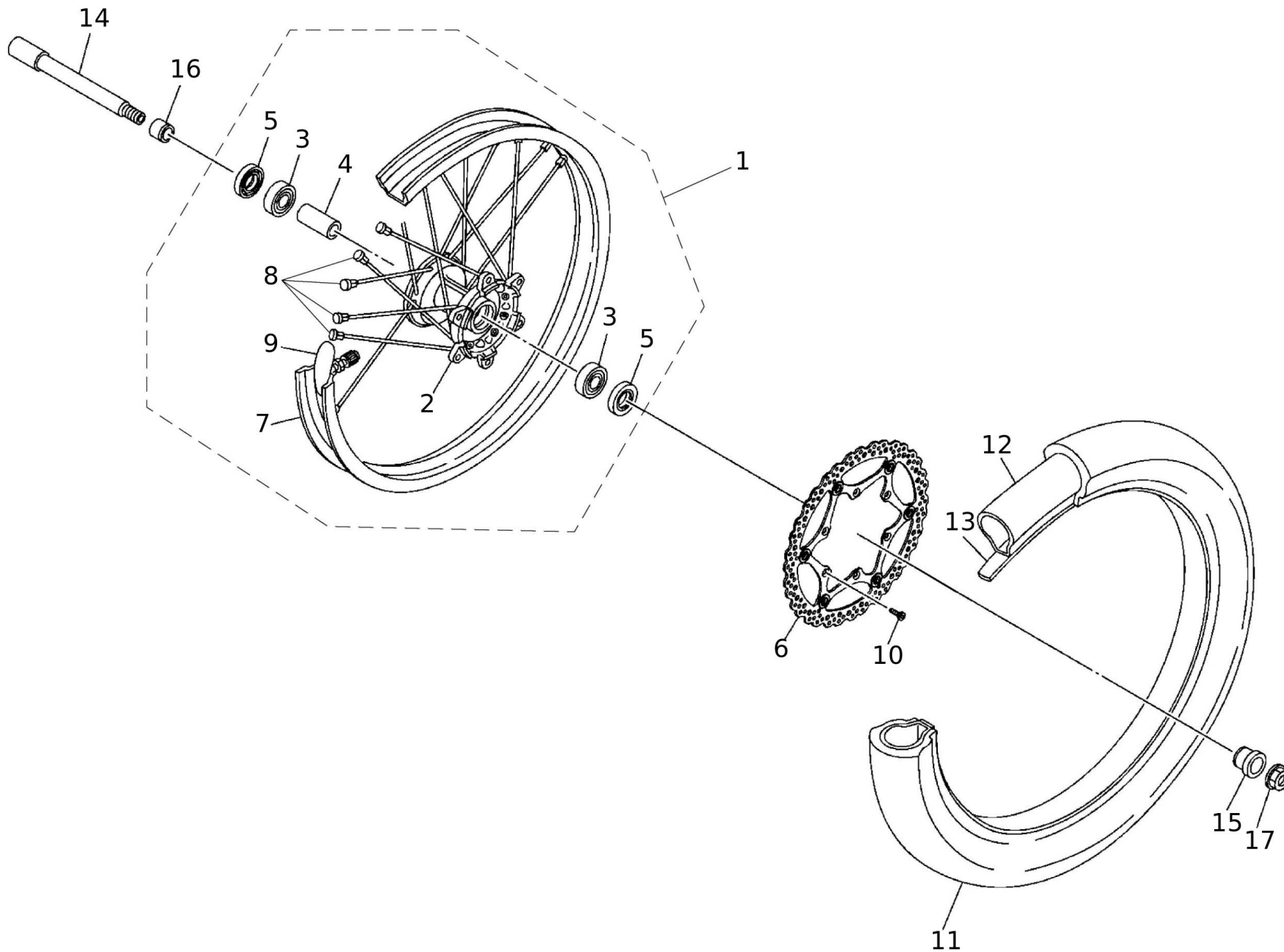
#	Code	Description	Specification	UM	Qty
1	06093005	CUSCINETTO SUP. DI STERZO XX/XE		pz	1
2	06094005	COPERCHIO PISTA CUSCINETTO		pz	1
3	06999005	GHIERA		pz	1
4	06096005	WASHER PLATE (T1.0)		pz	1
5	06097005	PIASTRA DI STERZO SUPERIORE		pz	1
6	07002005	DADO		pz	1
7	08541005	VITE M8X30 FLANGIA 14.5 (CH. 10) INCASSO		pz	4
8	08533005	SUPPORTO SUPERIORE MANUBRIO		pz	2
9	06101005	SUPPORTO INFERIORE MANUBRIO		pz	2
10	06102005	WASHER PLATE		pz	2
11	06103005	NUT SELF-LOCKING		pz	2
12	06812005	BOLT FLANGE DEEP RECESS		pz	4
13	06153005	UNDER BRACKET COMP.		pz	1
14	06154005	BEARING		pz	1
15	07007005	VITE 8X35 TE10 FLANGIA 14.5		pz	4
16	07520005	GUIDA CAVO		pz	1
17	06749005	VITE 6X16 TE8 FLANGIA 10.5		pz	1
18	06158005	BOCCOLA		pz	1



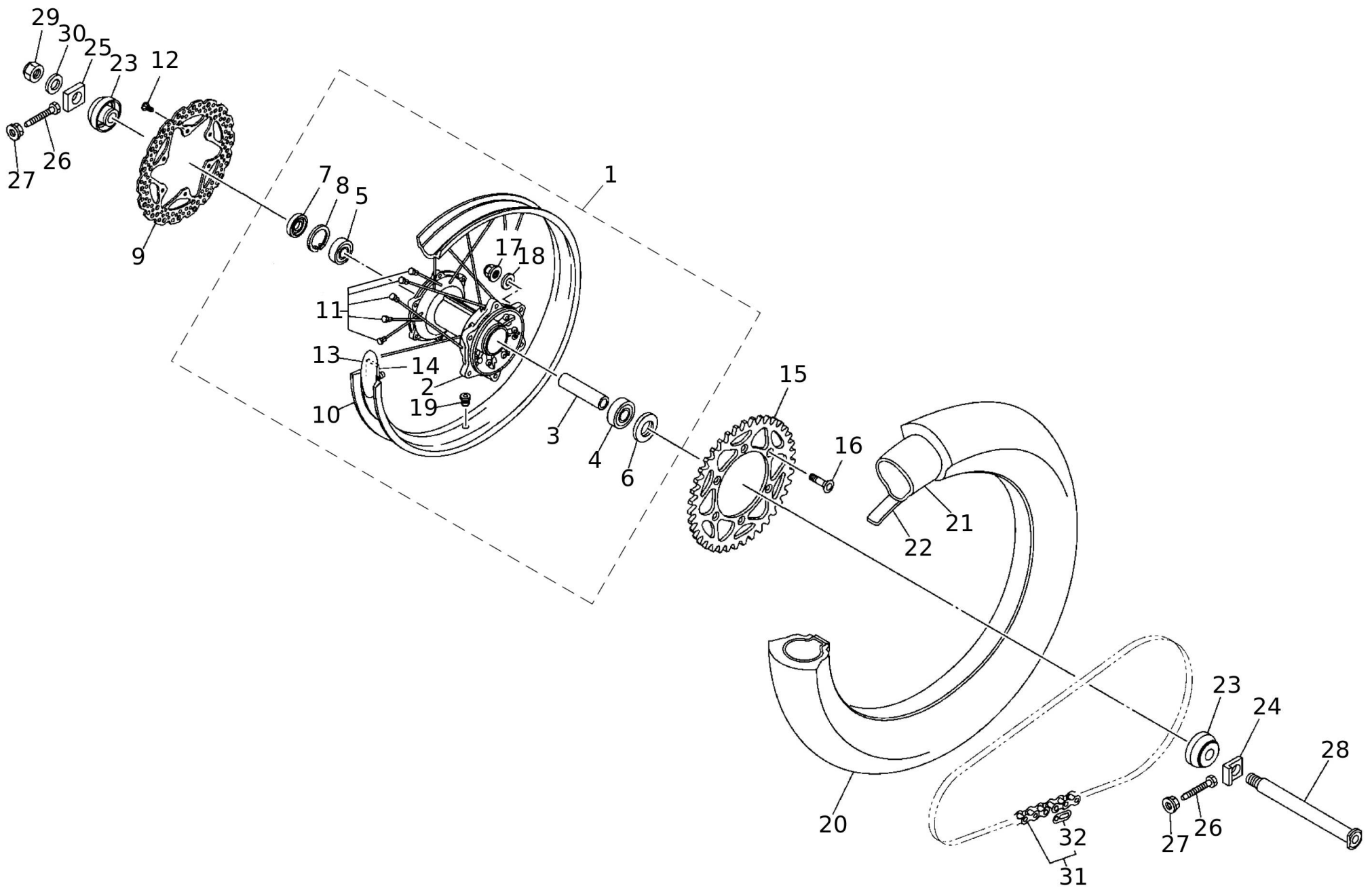
Fork

#	Code	Description	Specification	UM	Qty
1	08709005	FR. FORK SUB-ASSY, XX125 MY 22		pz	1
2	06106005	FODERO FORCELLA		pz	2
3	06107005	ANELLO ELASTICO		pz	2
4	09288005	FRONT FORK ASSY LEFT		pz	1
5	06109005	DISTANZIALE FORCELLA ANTERIORE		pz	2
6	06110005	BOCCOLA DI SCORRIMENTO		pz	2
7	06111005	RONDELLA PARAOLIO		pz	2
8	07011005	OIL SEAL		pz	2
9	06113005	ANELLO DI ARRESTO		pz	2
10	06114005	PARAPOLVERE AMMORTIZZATORE		pz	2
11	09464005	GRUPPO POMPANTE FORCELLA ANTERIORE		pz	2
12	09192005	O-RING		pz	2
13	06117005	SEDE SUPERIORE MOLLA		pz	2
14	09467005	GRUPPO VALVOLA BASE		pz	2
15	09194005	O-RING		pz	2
16	06120005	O-RING		pz	2
17	06121005	O-RING		pz	2
18	09195005	O-RING		pz	4
19	06123005	AIR VALVE COMP.		pz	2
20	09198005	O-RING		pz	2
21	07015005	MOLLA FORCELLA (K=4,6)	Accessory	pz	2
21	07148005	MOLLA FORCELLA (K=4,5)	Accessory	pz	2
21	07149005	MOLLA FORCELLA (K=4,7)	Accessory	pz	2
21	07150005	MOLLA FORCELLA (K=4,8)	Accessory	pz	2
21	07151005	MOLLA FORCELLA (K=4,9)	Accessory	pz	2
21	07152005	SPRING FRONT FORK (K=5.0)	Accessory	pz	2
21	07153005	MOLLA FORCELLA (K=5,1)	Accessory	pz	2
21	07154005	MOLLA FORCELLA (K=4,1)	Accessory	pz	2
21	07155005	MOLLA FORCELLA (K=4,2)	STD	pz	2
21	07156005	MOLLA FORCELLA (K=4,3)	Accessory	pz	2
21	07157005	MOLLA FORCELLA (K=4,4)	Accessory	pz	2
22	09199005	ADJUST SCREW SET		pz	2
23	06127005	GASKET		pz	2
24	09200005	GASKET		pz	2
25	09289005	FRONT FORK ASSY RIGHT		pz	1
26	06106005	FODERO FORCELLA		pz	1
27	07007005	VITE 8X35 TE10 FLANGIA 14.5		pz	4

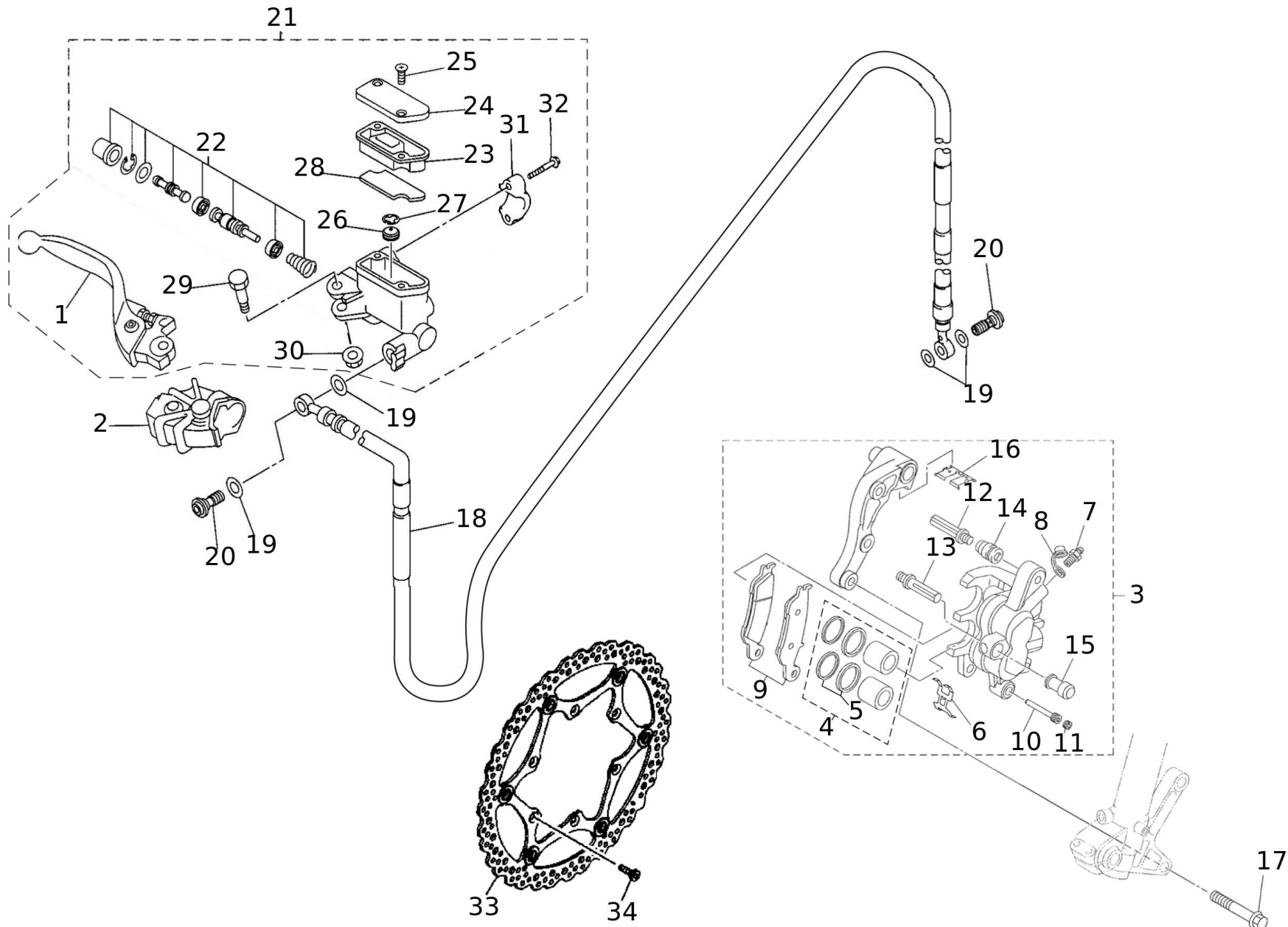




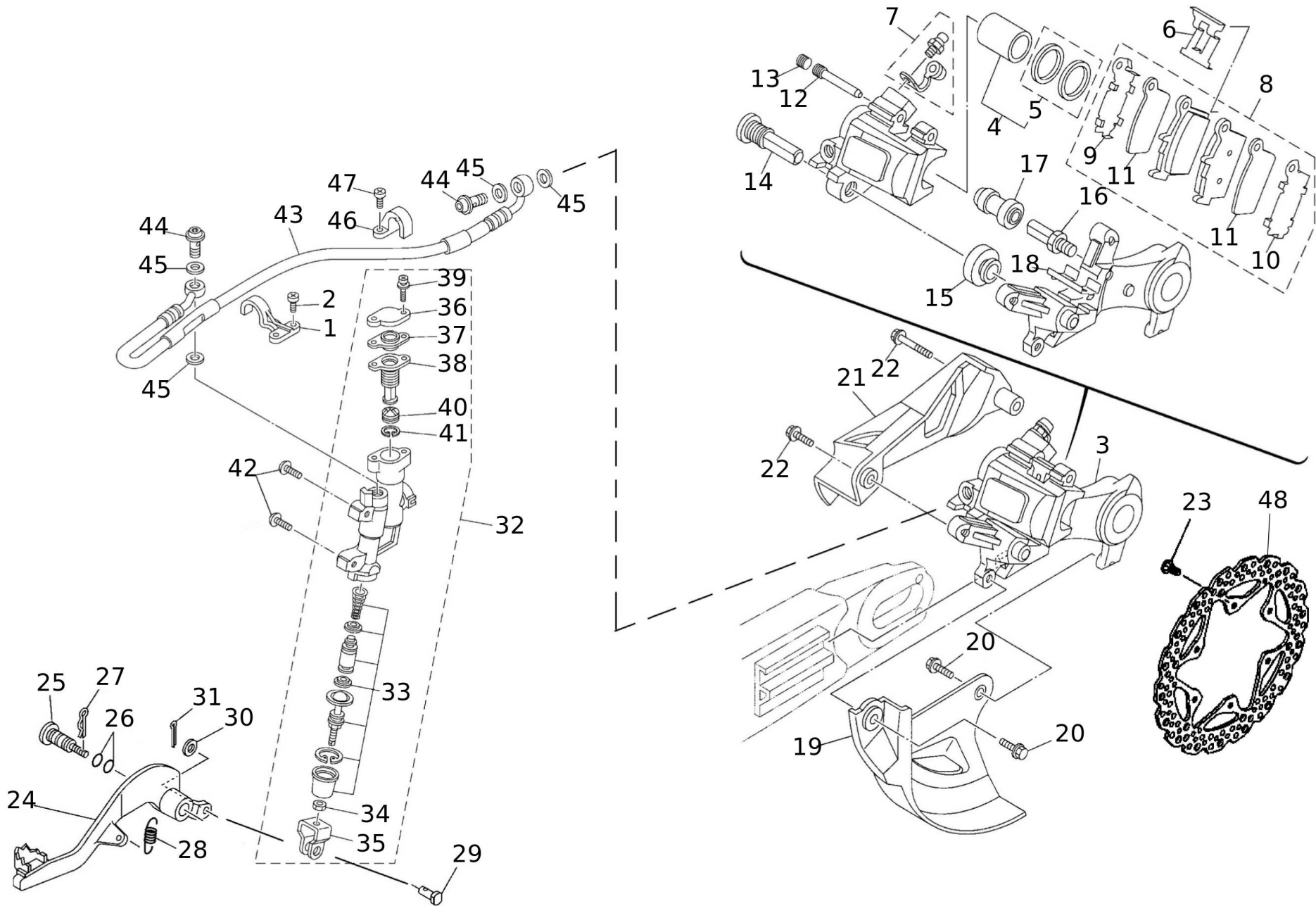
#	Code	Description	Specification	UM	Qty
1	09059020	FR. RIM XX/XE 125 ASSY		pz	1
2	06196005	MOZZO ANTERIORE		pz	1
3	06197005	BEARING		pz	2
4	06198005	DISTANZIALE CUSCINETTI		pz	1
5	06199005	OIL SEAL		pz	2
6	07547005	GRUPPO DISCO FRENO		pz	1
7	08131005	CERCHIO (1.60-21) NERO		pz	1
8	06201005	SPOKE SET FRONT		pz	1
9	06205005	FERMACOPERTONE		pz	1
10	06212005	VITE M6X8.5 SVASATA ESAGONO INCASSATO		pz	6
11	08438005	PNEUMATICO 80/100-21 MX32 MID SOFT		pz	1
12	00234005	CAMERA ARIA 21" ANTERIORE CASA		pz	1
13	07531005	FLAP COPRI NIPPLESS R21 1430 X 22		pz	1
14	06206005	PERNO RUOTA ANTERIORE		pz	1
15	06207005	COLLAR, WHEEL		pz	1
16	06208005	COLLAR, WHEEL		pz	1
17	06209005	NUT		pz	1



#	Code	Description	Specification	UM	Qty
1	09060020	RR. RIM XX 125 ASSY		pz	1
2	06228005	MOZZO POSTERIORE		pz	1
3	06229005	DISTANZIALE CUSCINETTI		pz	1
4	06230005	BEARING		pz	1
5	06231005	BEARING		pz	1
6	06232005	OIL SEAL		pz	1
7	06233005	OIL SEAL		pz	1
8	06234005	ANELLO ELASTICO		pz	1
9	07548005	DISCO FRENO POSTERIORE 2		pz	1
10	08133005	RIM (1.85-19)		pz	1
11	06236005	SET RAGGI POSTERIORE 19"		pz	1
12	06212005	VITE M6X8.5 SVASATA ESAGONO INCASSATO		pz	6
13	06240005	FERMACOPERTONE		pz	1
14	06241005	SMORZATORE		pz	1
15	06242005	SPROCKET DRIVEN (48T)		pz	1
15	06243005	SPROCKET DRIVEN (47T)		pz	1
15	06247005	SPROCKET DRIVEN (52T)		pz	1
15	08468001	CORONA POST 51D MY22		pz	1
15	08696005	CORONA POST Z 50 MY22		pz	1
15	08697005	CORONA POST 49D MY22		pz	1
16	06248005	VITE M8X24 (T.F. 15) SVASATA BOMBATA EI		pz	6
17	06249005	DADO M8 AUTOBLOCCANTE		pz	6
18	06014005	WASHER		pz	6
19	06251005	GOMMINO		pz	1
20	08439005	PNEUMATICO 100/90-19 MX32 MID SOFT		pz	1
21	08452005	CAMERA ARIA 100/90-19 120/80-19		pz	1
22	07529005	FLAP R19 1370 X 25		pz	1
23	06252005	COLLAR ASSY		pz	2
24	06253005	TENSIONATORE CATENA 1		pz	1
25	06254005	TENSIONATORE CATENA 2		pz	1
26	06255005	BOLT		pz	2
27	05627005	NUT		pz	2
28	06257005	PERNO RUOTA POSTERIORE		pz	1
29	06258005	DADO AUTOBLOCCANTE		pz	1
30	06259005	RONDELLA PERNO RUOTA POSTERIORE		pz	1
31	09468005	CATENA DID520DMS 112 CON FALSAMAGLIA		pz	1
32	08713005	JOINT, CHAIN(DID520DM G&B-RJ)		pz	1



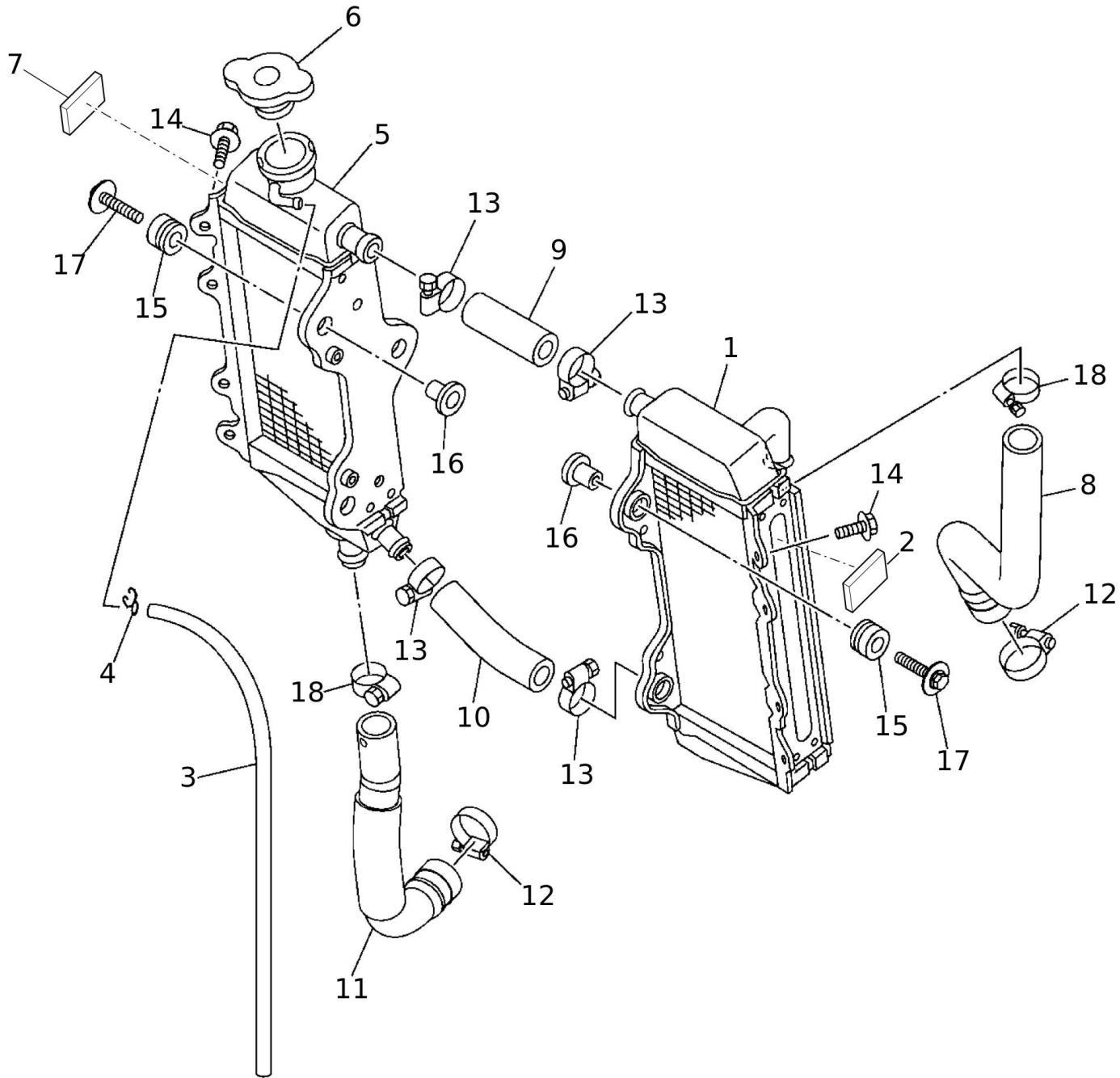
#	Code	Description	Specification	UM	Qty
1	08740005	LEVA FRENO ANT.		pz	1
2	06328005	COVER HANDLE LEVER 1		pz	1
3	08428005	ASSIEME PINZA FRENO ANT		pz	1
4	08426001	GRUPPO PISTONCINO		pz	1
5	08460001	KIT GUARNIZIONI PINZA		pz	1
6	08462001	SUPPORTO PASTIGLIA		pz	1
7	06217005	VITE SPURGO		pz	1
8	06218005	CAPPUCCIO		pz	1
9	08739005	PASTIGLIE FRENO ANT		pz	1
10	06220005	PERNO PASTIGLIA		pz	1
11	06221005	TAPPO DEL PERNO PASTIGLIA		pz	1
12	06222005	SCREW		pz	1
13	06223005	PERNO		pz	1
14	06224005	BOOT CALIPER		pz	1
15	06225005	BOOT 2		pz	1
16	06226005	MOLLA PASTIGLIE		pz	1
17	06227005	VITE M8X36 (T.F. 18) TE FLANGIATA		pz	2
18	06312005	HOSE, BRAKE 1		pz	1
19	06313005	GASKET		pz	4
20	06314005	BOLT UNION		pz	2
21	09075020	FR. MASTER CYLINDER ASSY XX MY22		pz	1
22	06316005	KIT POMPA FRENO		pz	1
23	06317005	DIAFRAMMA SERBATOIO		pz	1
24	06318005	COPERCHIO POMPA FRENO		pz	1
25	06319005	VITE A TESTA PIATTA		pz	2
26	06320005	GRUPPO SEPARATORE		pz	1
27	06321005	ANELLO ELASTICO		pz	1
28	06322005	GALLEGGIANTE SERBATOIO		pz	1
29	06324005	VITE DELLA LEVA		pz	1
30	06325005	DADO CON RONDELLA		pz	1
31	06326005	SUPPORTO POMPA FRENO		pz	1
32	06327005	VITE M6X22 TE FLANGIATA		pz	2
33	07547005	GRUPPO DISCO FRENO		pz	1
34	06212005	VITE M6X8.5 SVASATA ESAGONO INCASSATO		pz	6



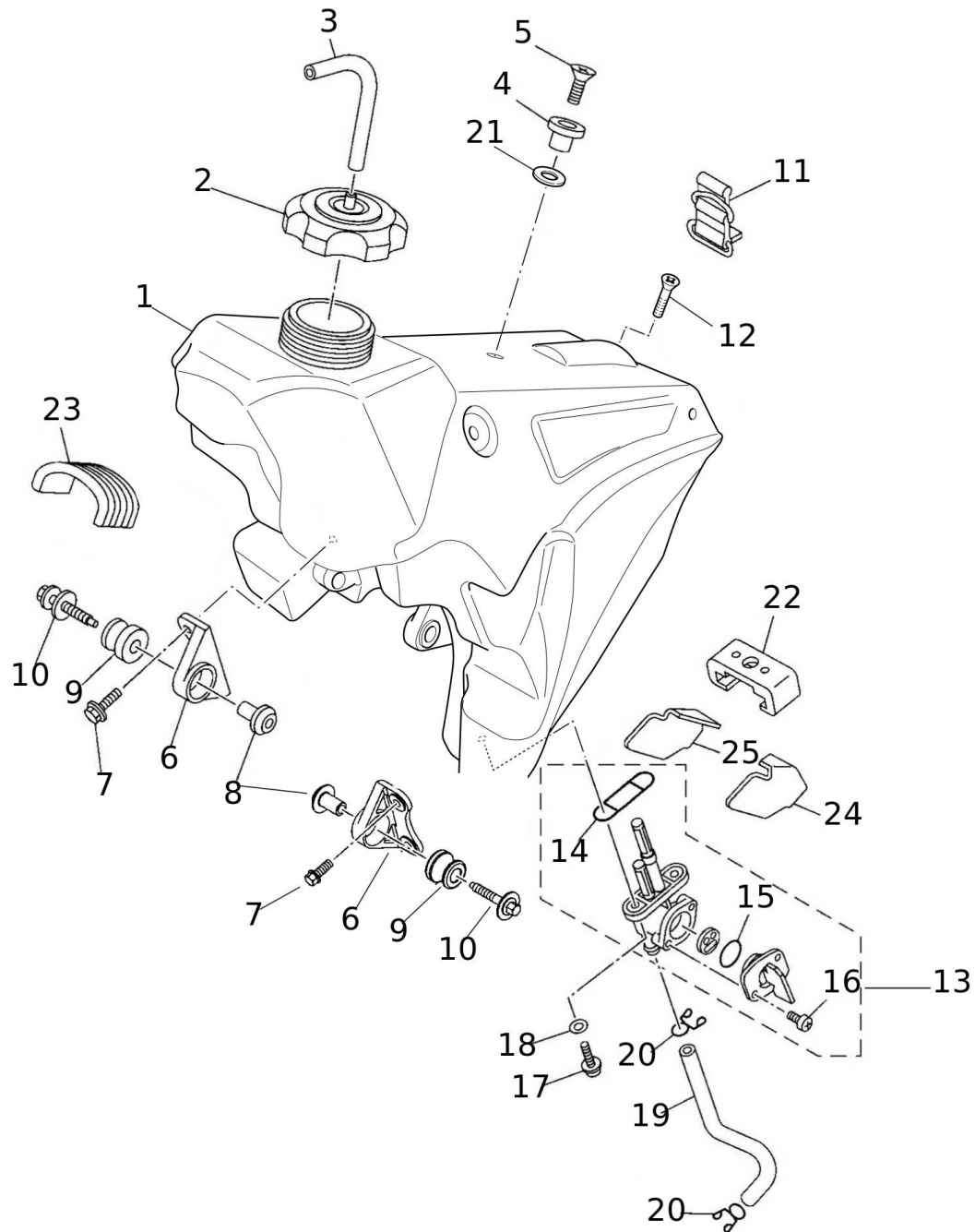
#	Code	Description	Specification	UM	Qty
1	06370005	SUPPORTO TUBO FRENO 2		pz	1
2	06369005	VITE M5X10 INTAGLIO A CROCE		pz	2
3	08658005	PINZA FRENO POSTERIORE		pz	1
4	06273005	GRUPPO PISTONCINO PINZA		pz	1
5	06274005	KIT GUARNIZIONI PINZA		pz	1
6	06275005	MOLLA PASTIGLIE		pz	1
7	06276005	BLEED SCREW KIT		pz	1
8	06277005	BRAKE PAD KIT 2		pz	1
9	06278005	SPESSORE DI REGOLAZIONE		pz	1
10	06279005	SPESSORE DI REGOLAZIONE		pz	1
11	06280005	ISOLATORE TERMICO		pz	2
12	06281005	PERNO PASTIGLIA		pz	1
13	06221005	TAPPO DEL PERNO PASTIGLIA		pz	1
14	06283005	PERNO		pz	1
15	06224005	BOOT CALIPER		pz	1
16	06285005	PERNO		pz	1
17	06225005	BOOT 2		pz	1
18	06287005	FERMO		pz	1
19	06288005	PROTEZIONE DISCO FRENO		pz	1
20	06722005	VITE 6X12 TE8 FLANGIA 10.5		pz	2
21	07543005	PROTEZIONE PINZA		pz	1
22	06722005	VITE 6X12 TE8 FLANGIA 10.5		pz	2
23	06212005	VITE M6X8.5 SVASATA ESAGONO INCASSATO		pz	6
24	06330005	PEDAL BRAKE		pz	1
25	06331005	BOLT		pz	1
26	06332005	O-RING		pz	2
27	06333005	ANELLO ELASTICO		pz	1
28	06334005	SPRING TENSION		pz	1
29	06335005	PIN CLEVIS		pz	1
30	06336005	WASHER PLATE		pz	1
31	06337005	PIN COTTER		pz	1
32	06354005	GRUPPO POMPA FRENO POSTERIORE		pz	1
33	06355005	KIT POMPA FRENO		pz	1
34	06356005	DADO		pz	1
35	06357005	GIUNTO		pz	1
36	06358005	COPERCHIO POMPA FRENO		pz	1
37	06359005	PIASTRINA DIAFRAMMA		pz	1
38	06360005	DIAFRAMMA SERBATOIO		pz	1
39	06361005	VITE M4X16 (T.F. 9) TE CROCE, RONDELLA		pz	2
40	06320005	GRUPPO SEPARATORE		pz	1



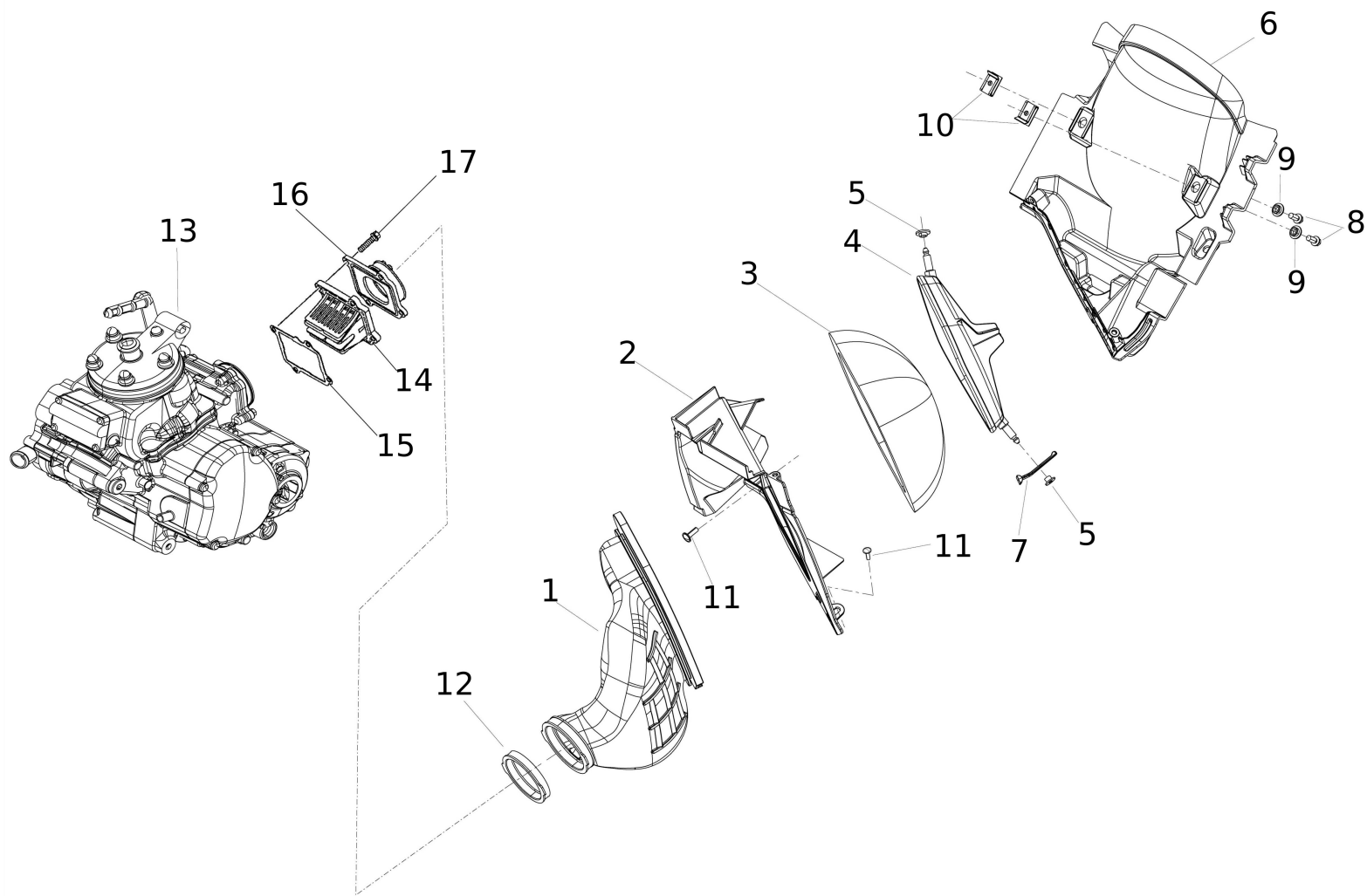
#	Code	Description	Specification	UM	Qty
41	06321005	ANELLO ELASTICO		pz	1
42	07091005	BOLT,HEX. SOCKET BUTTON		pz	2
43	07544005	TUBO FRENO 2		pz	1
44	06314005	BOLT UNION		pz	2
45	06313005	GASKET		pz	4
46	06368005	SUPPORTO TUBO FRENO		pz	1
47	06369005	VITE M5X10 INTAGLIO A CROCE		pz	2
48	07548005	DISCO FRENO POSTERIORE 2		pz	1



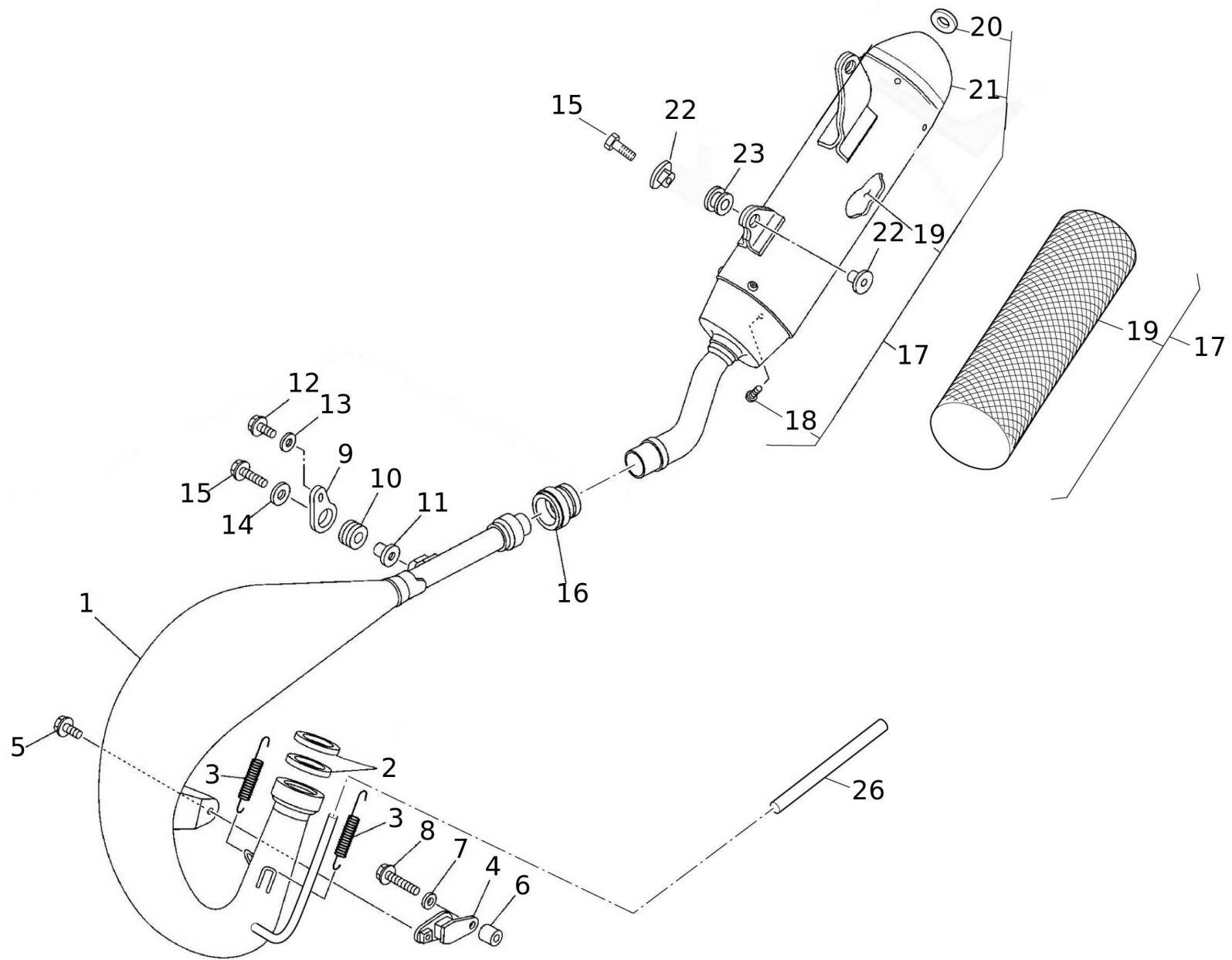
#	Code	Description	Specification	UM	Qty
1	05711005	RADIATOR ASSY		pz	1
2	05712005	GOMMINO RADIATORE		pz	1
3	05713005	TUBO FLESSIBILE VINILE		pz	1
4	05714005	CLIP		pz	1
5	05715005	RADIATOR COMP		pz	1
6	05716005	TAPPO RADIATORE		pz	1
7	05712005	GOMMINO RADIATORE		pz	1
8	05718005	TUBO 1		pz	1
9	05719005	TUBO 2		pz	1
10	05720005	TUBO 3		pz	1
11	05721005	TUBO 4		pz	1
12	05722005	HOSE CLAMP ASSY		pz	2
13	05723005	HOSE CLAMP ASSY		pz	4
14	08660005	BOLT, WITH WASHER		pz	2
15	05725005	GOMMINO		pz	6
16	05726005	BOCCOLA		pz	6
17	06739005	BOLT WITH WASHER		pz	6
18	05724005	HOSE CLAMP ASSY		pz	2



#	Code	Description	Specification	UM	Qty
1	07535005	FUEL TANK XX 2T		pz	1
2	06606005	FUEL TANK CAP XX/XE		pz	1
3	06170005	PIPE		pz	1
4	06186005	FISSAGGIO ANTERIORE SELLA		pz	1
5	06187005	SCREW FLAT HEAD		pz	1
6	06171005	HOLDER DAMPER		pz	2
7	06157005	BOLT FLANGE		pz	4
8	06173005	WASHER SPECIAL		pz	2
9	06174005	GOMMINO		pz	2
10	06175005	BOLT		pz	2
11	06176005	BAND TANK FITTING 1		pz	1
12	08396005	SCREW		pz	1
13	06178005	FUEL COCK ASSY 1		pz	1
14	06179005	GASKET		pz	1
15	06180005	SEAL COCK		pz	1
16	06181005	SCREW PAN HEAD		pz	2
17	06182005	SCREW		pz	2
18	06183005	WASHER PLATE		pz	2
19	07412005	HOSE GREY COPOLAN UML 7 x 12		cm	1
20	07533005	Double wire hose clamp		pz	2
21	00807005	WASHER 6X12		pz	1
22	00807005	WASHER 6X12		pz	1
23	06188005	DAMPER LOCATING 1		pz	1
24	06189005	DAMPER LOCATING 2		pz	1
25	06191005	DAMPER LOCATING 3		pz	1
26	06192005	DAMPER LOCATING 4		pz	1

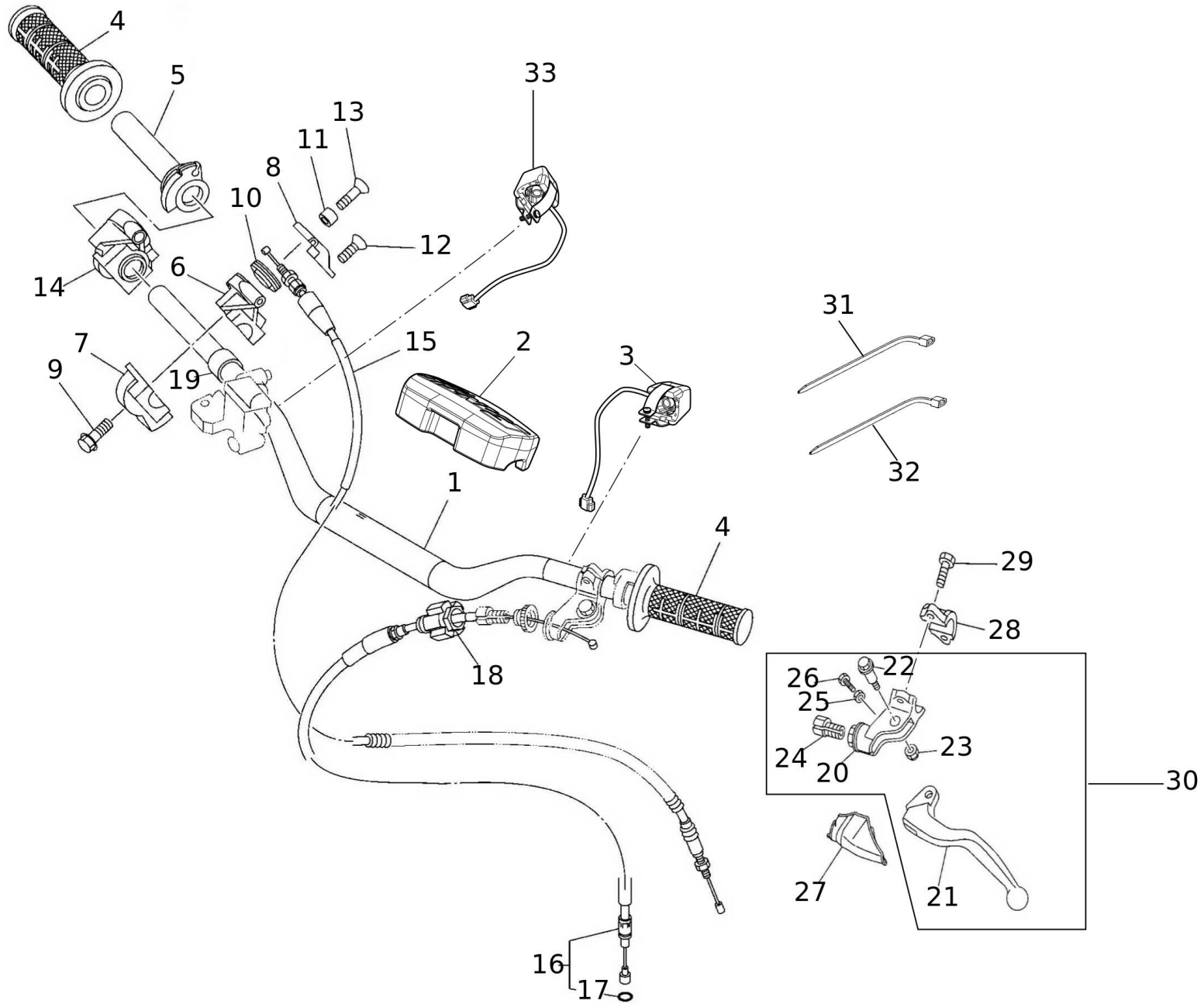


#	Code	Description	Specification	UM	Qty
1	09437005	INTAKE MANIFOLD XX-XE 125		pz	1
2	09446005	AIRBOX FRONT, XX/XE MY23		pz	1
3	09500005	AIR FILTER OFF-ROAD 2T MY23		pz	1
4	09443005	AIR FILTER SUPPORT		pz	1
5	09442005	QUICK RELEASE RUBBER GROMMET		pz	2
6	09447005	AIRBOX REAR, XX/XE MY23		pz	1
7	09455005	AIR FILTER SUPPORT XX/XE MY23		pz	1
8	06573005	BOLT WITH WASHER		pz	2
9	06562005	COLLAR		pz	2
10	00070005	GRAFFETTA METALLICA 6X24		pz	2
11	07458005	SCREW		pz	1
12	05738005	HOSE CLAMP ASSY		pz	1
13	07600005	WHOLE ENGINE 125 2T		pz	1
14	09469005	VALVOLA LAMELLARE XX125		pz	1
15	09470005	GUARNIZIONE VALVOLA LAMELLARE		pz	1
16	09471005	COLLETTORE DI ASPIRAZIONE		pz	1
17	06708005	BOLT FLANGE DEEP RECESS		pz	4

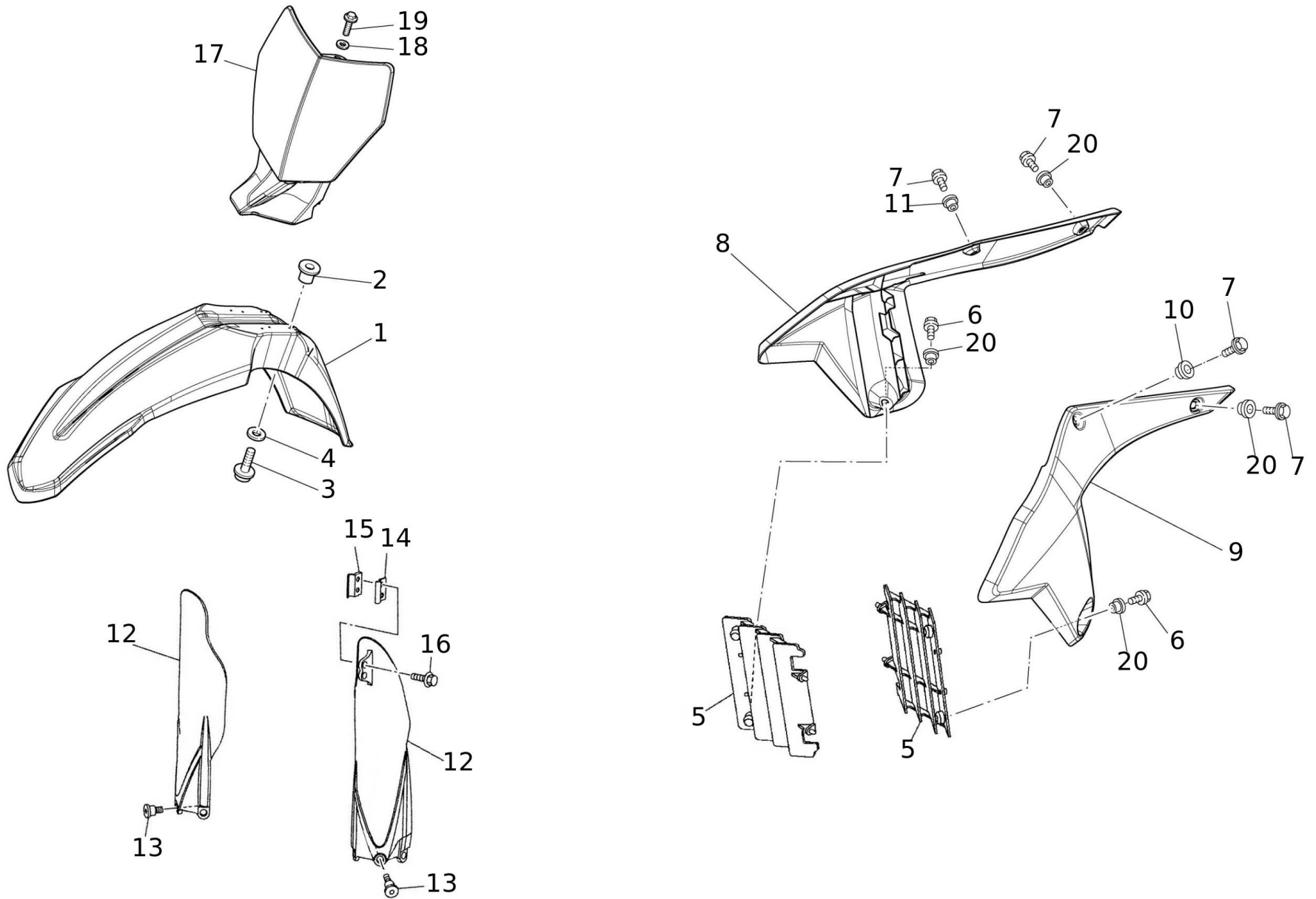




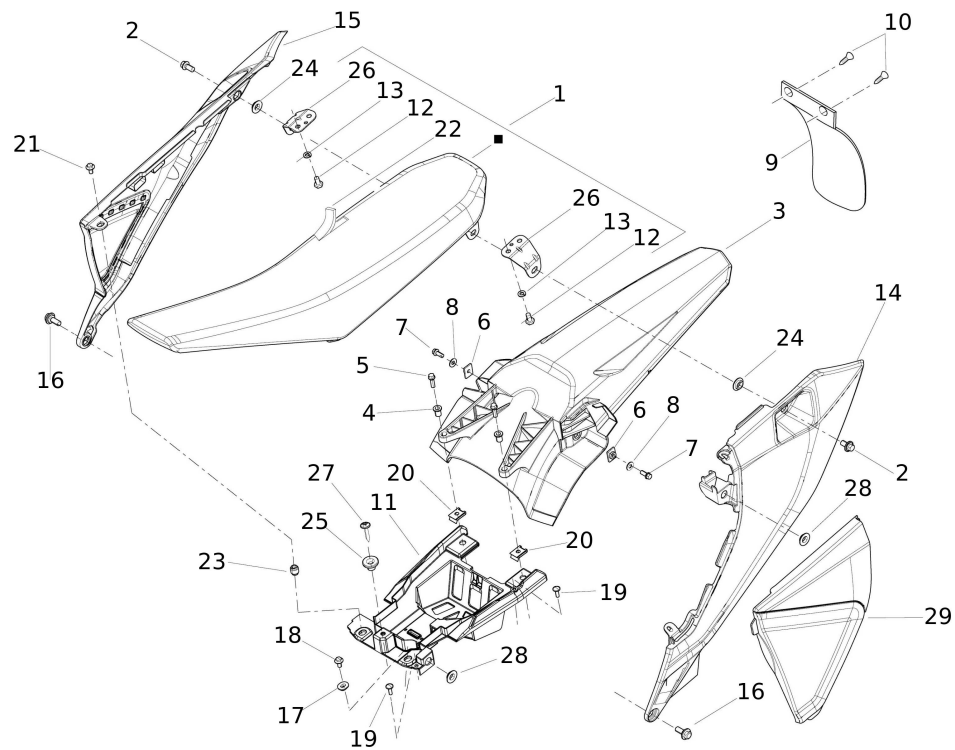
#	Code	Description	Specification	UM	Qty
1	08671005	EXHAUST OFFROAT 125 2T		pz	1
2	08705005	O RING, EXHAUST		pz	2
3	05827005	SPRING TENSION		pz	2
4	09124005	STAY MUFFLER 1		pz	1
5	06722005	VITE 6X12 TE8 FLANGIA 10.5		pz	1
6	05830005	BAR SHIFT FORK GUIDE		pz	1
7	05831005	WASHER PLATE		pz	1
8	06708005	BOLT FLANGE DEEP RECESS		pz	1
9	08706005	STAY, MUFFLER 2		pz	1
10	05834005	GOMMINO		pz	1
11	05835005	BOCCOLA		pz	1
12	08707005	BOLT		pz	1
13	05837005	WASHER PLATE		pz	1
14	05838005	WASHER PLATE		pz	1
15	06708005	BOLT FLANGE DEEP RECESS		pz	2
16	05840005	JOINT EXHAUST		pz	1
17	08672005	SILENCER XX125		pz	1
18	07465005	SCREWES		pz	4
19	07463005	SOUND ABSORBENT		pz	1
20	07456005	GASKET		pz	1
21	07409005	CAP SILENCER XE		pz	1
22	09429005	COLLAR, SILENCER		pz	2
23	05847005	GOMMINO		pz	1



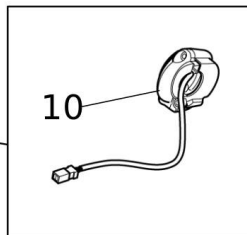
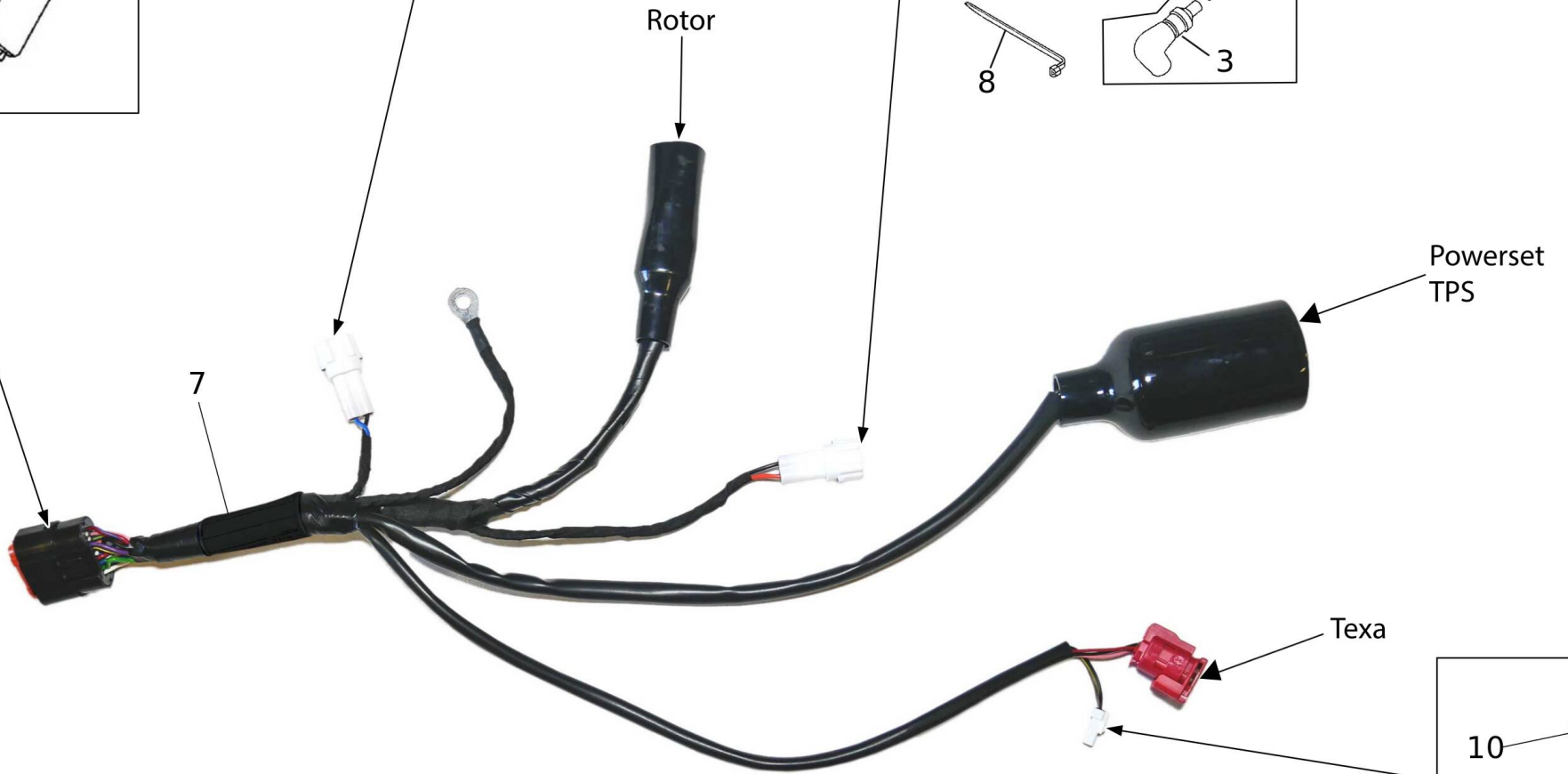
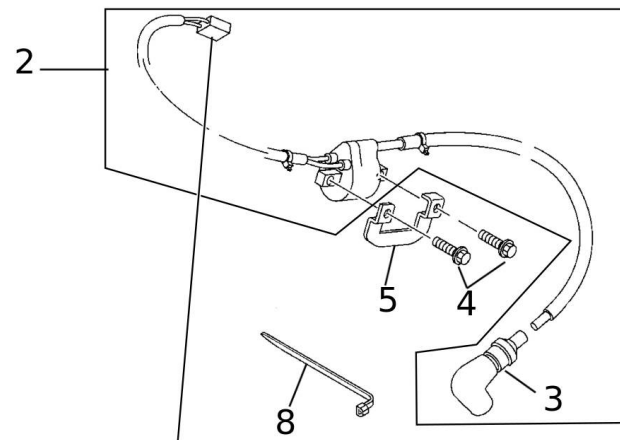
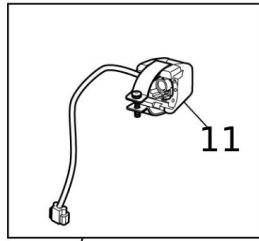
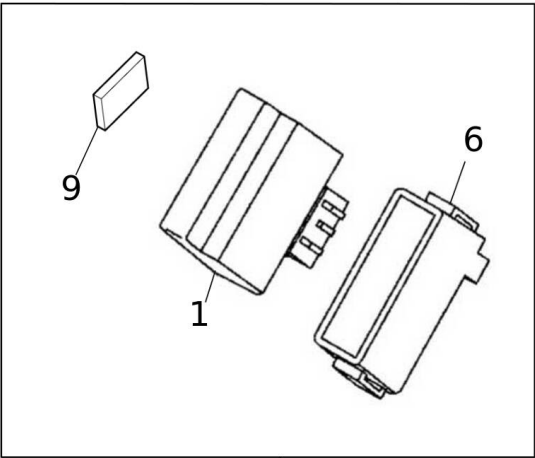
#	Code	Description	Specification	UM	Qty
1	06293005	HANDLEBAR		pz	1
2	07532005	PROTECTOR, HANDLEBAR		pz	1
3	06387005	SWITCH HANDLE 1		pz	1
4	07437005	OFF-ROAD KNOB PAIR		pz	1
5	06297005	TUBE THROTTLE GUIDE		pz	1
6	06298005	CALOTTA SUPERIORE DELLA MANOPOLA		pz	1
7	06299005	CALOTTA INFERIORE DELLA MANOPOLA		pz	1
8	06300005	CAP WIRE		pz	1
9	06708005	BOLT FLANGE DEEP RECESS		pz	2
10	06302005	ROTOR		pz	1
11	06303005	BOCCOLA		pz	1
12	06304005	SCREW OVAL HEAD		pz	1
13	06305005	SCREW OVAL HEAD		pz	1
14	06306005	COPERCHIO DELLA CALOTTA		pz	1
15	08710005	CABLE, THROTTLE 1		pz	1
16	06308005	CABLE CLUTCH		pz	1
17	06309005	O-RING		pz	1
18	06310005	TENSIONATORE CAVO FRIZIONE		pz	1
19	06311005	COLLAR		pz	1
20	06377005	HOLDER LEVER 1		pz	1
21	08295005	LEVER 1		pz	1
22	06379005	VITE M6X25 (T.F. 11) TE FLANGIATA		pz	1
23	06380005	DADO M6 AUTOBLOCCANTE		pz	1
24	06381005	ADJUST SCREW SET		pz	1
25	06382005	NUT HEXAGON		pz	1
26	06383005	BOLT		pz	1
27	06384005	COPERTURA LEVA 1		pz	1
28	06385005	SUPPORTO INFERIORE LEVA 1		pz	1
29	06726005	BOLT FLANGE DEEP RECESS		pz	2
30	08499020	LEVER HOLDER ASSY, 1		pz	1
31	06388005	HOSE CLAMP ASSY		pz	1
32	06389005	FASCETTA 125X7		pz	2
33	08577005	PULSANTE DOPPIA MAPPATURA OFF-ROAD		pz	1



#	Code	Description	Specification	UM	Qty
1	07500005	FRONT FENDER OFF-ROAD WHITE	white	pz	1
1	07504005	MUDGUARD	black	pz	1
2	08641005	BOCCOLA 20X8.5X6.5 ALTEZZA 6.9, CKD		pz	4
3	06598005	BOLT FLANGE		pz	4
4	06599005	WASHER PLATE		pz	4
5	06030005	PANEL 1		pz	2
6	06565005	VITE M6X16 TE CROCE CON RONDELLA		pz	2
7	06564005	VITE M6X12 TE FLANGIATA		pz	4
8	07496005	RIGHT SPOILER XX/XE 2T	white	pz	1
8	V0219005	CONVOGLIATORE DX XX/XE NERO	black	pz	1
9	07495005	LEFT SPOILER XX/XE	white	pz	1
9	V0218005	CONVOGLIATORE SX XX/XE NERO	black	pz	1
10	06562005	COLLAR		pz	1
11	06562005	COLLAR		pz	1
12	07662005	FORK SLIDER PROTECTORS (PAIR)	white	pz	1
12	V0222005	KIT PARASTELI XX/XE NERI	black	pz	1
13	06161005	BOLT		pz	6
14	06162005	CLAMP		pz	1
15	06163005	CLAMP		pz	1
16	05758005	BOLT FLANGE		pz	2
17	07503005	FRONT PLATE NUMBER OFF-ROAD		pz	1
18	04686005	RONDELLA M6 CON COLLARINO H3		pz	1
19	07433005	VITE 6X10 TE FLANGIATA		pz	1
20	07455005	BUSHING		pz	4

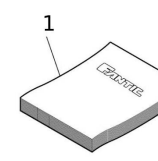


#	Code	Description	Specification	UM	Qty
1	09504005	SEAT W/ BRACKETS XX/XE MY23	white	pz	1
1	V0920005	SELLA CON STAFFE XX/XE MY23 NERA	black	pz	1
2	06561005	BOLT WITH WASHER		pz	2
3	09452005	REAR FENDER XX MY23		pz	1
4	09516005	BOCCOLA 6.5X9.5X15.1		pz	2
5	08542005	BOLT FLANGE DEEP RECESS		pz	2
6	06568005	NUT REAR FENDER		pz	2
7	06569005	BOLT FLANGE		pz	2
8	06570005	WASHER PLATE		pz	2
9	08063005	GUARD FLAP		pz	1
10	06600005	SCREW TAPPING		pz	2
11	09448005	COVER, UNDER SEAT, XX/XE MY23		pz	1
12	06556005	VITE M6X12 TE		pz	2
13	06557005	WASHER SPRING		pz	2
14	09450005	SIDE COVER LEFT XX/XE MY23		pz	1
15	09451005	SIDE COVER RIGHT XX/XE MY23		pz	1
16	09422005	BOLT M8X18, COLLAR 19		pz	2
17	06566005	COLLAR		pz	1
18	05758005	BOLT FLANGE		pz	1
19	07458005	SCREW		pz	2
20	00070005	GRAFFETTA METALLICA 6X24		pz	2
21	06739005	BOLT WITH WASHER		pz	1
22	09319005	COVER		pz	1
23	09540005	CYLINDRICAL SPACER		pz	1
24	06559005	COLLAR		pz	2
25	06186005	FISSAGGIO ANTERIORE SELLA		pz	1
26	06555005	BRACKET SEAT		pz	2
27	06187005	SCREW FLAT HEAD		pz	1
28	09442005	QUICK RELEASE RUBBER GROMMET		pz	2
29	09449005	SIDE COVER AIRBOX XX/XE MY23		pz	1

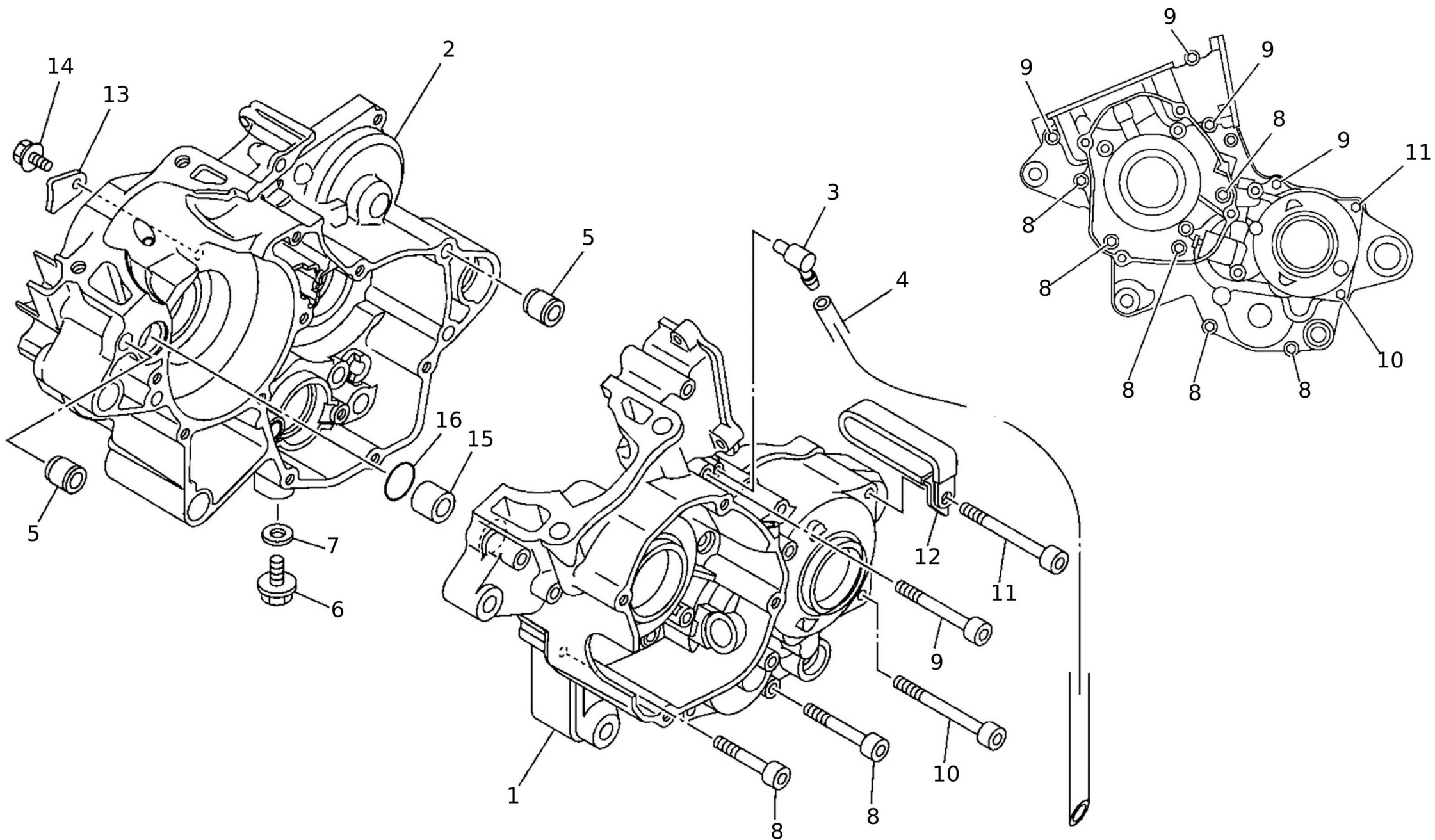




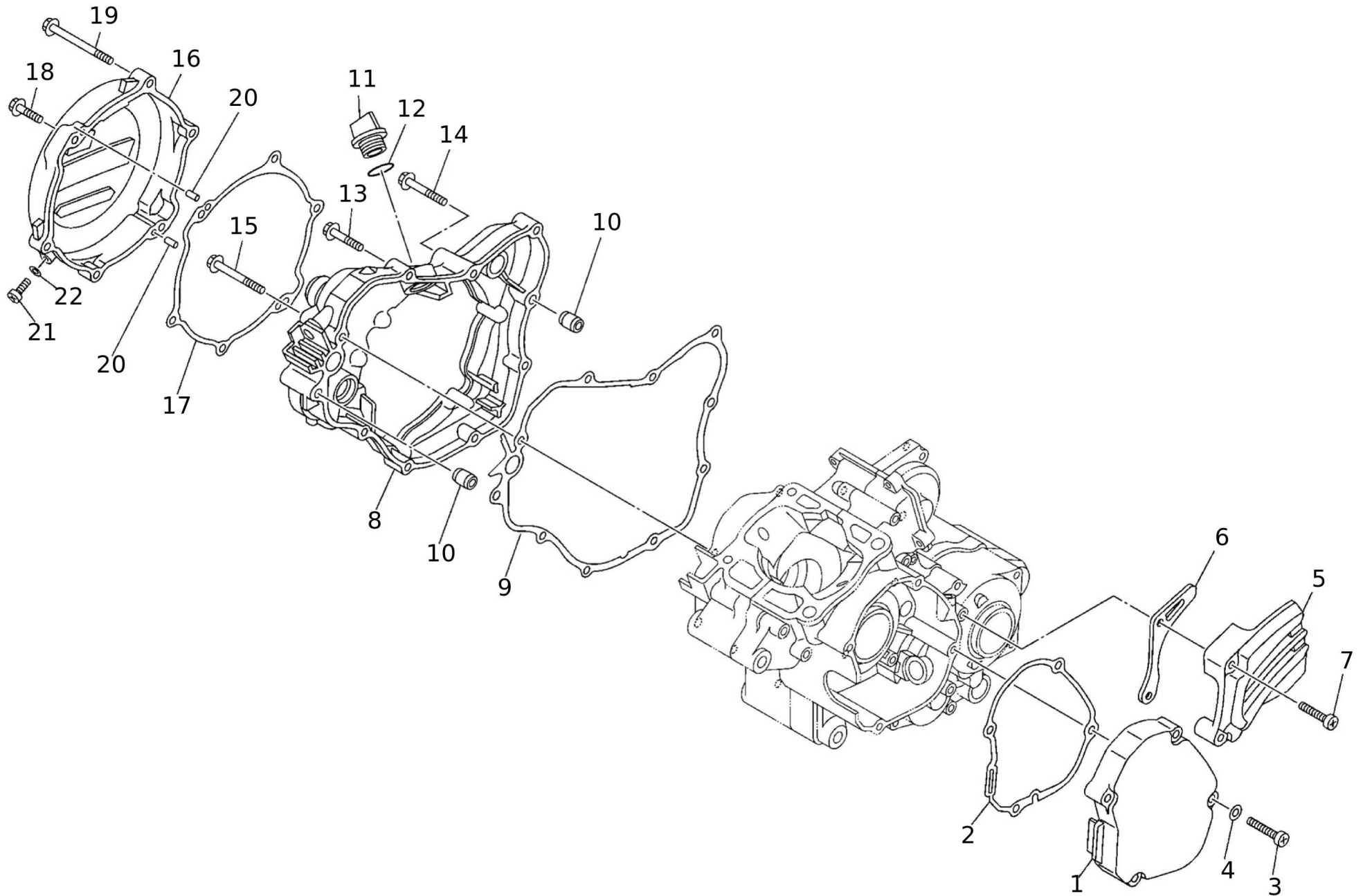
#	Code	Description	Specification	UM	Qty
1	09688020	ECU XX 125		pz	1
2	08711005	IGNITION COIL ASSY		pz	1
3	06391005	PIPETTA CANDELA		pz	1
4	06392005	BOLT FLANGE		pz	2
5	06393005	CORE SIDE		pz	1
6	07410005	GROMMET		pz	1
7	08819005	WIRING XX125 MY22		pz	1
8	06396005	HOSE CLAMP ASSY		pz	2
9	06399005	SMORZATORE		pz	1
10	08577005	PULSANTE DOPPIA MAPPATURA OFF-ROAD		pz	1
11	06387005	SWITCH HANDLE 1		pz	1



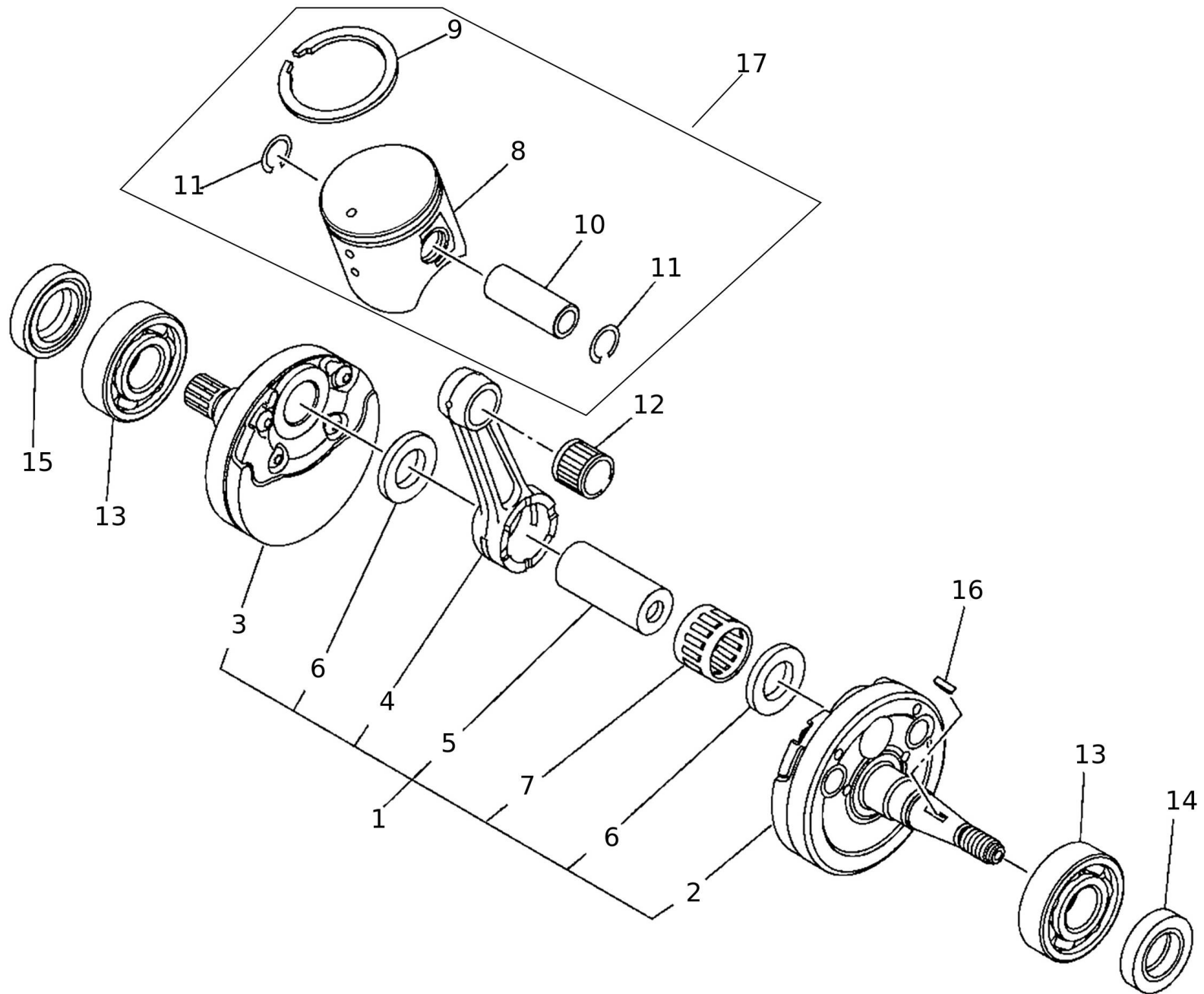
#	Code	Description	Specification	UM	Qty
1	09641005	SERVICE MANUAL 2T		pz	1
2	09420005	ADHESIVE SET	MY23	pz	1
2	V0913005	KIT ADESIVI XX MY24 GIALLO FLUO	MY24	pz	1
3	07525005	STICKER BARDAHL ENGINE CRANKCASE		pz	1



#	Code	Description	Specification	UM	Qty
1	09311005	CRANKCASE 1		pz	1
2	09312005	CRANKCASE 2		pz	1
3	05852005	CONNECTOR SUCTION PIPE		pz	1
4	05853005	HOSE		pz	1
5	05854005	BOCCOLA DI CENTRAGGIO		pz	2
6	06822005	VITE FLANGIATA INCASSO PROFONDO		pz	1
7	05856005	GASKET		pz	1
8	05857005	BOLT HEXAGON SOCKET HEAD		pz	6
9	05858005	BOLT HEXAGON SOCKET HEAD		pz	4
10	05859005	BOLT HEXAGON SOCKET HEAD		pz	1
11	05860005	BOLT HEXAGON SOCKET HEAD		pz	1
12	05861005	GUIDA CAVO		pz	1
13	05862005	SUPPORTO		pz	1
14	05863005	VITE M6X12 TE FLANGIATA		pz	1
15	05864005	BOCCOLA DI CENTRAGGIO		pz	1
16	05865005	O-RING		pz	1

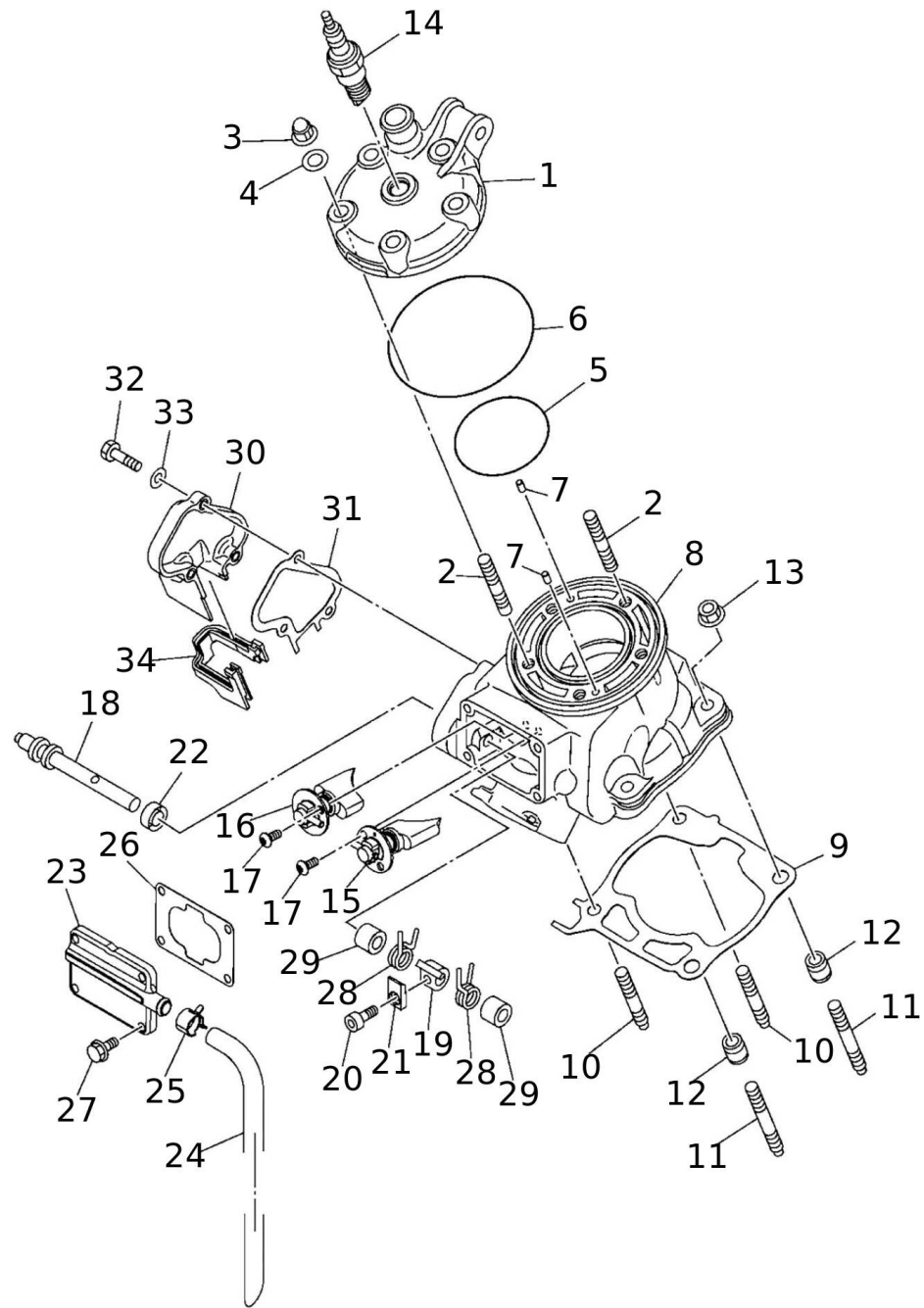


#	Code	Description	Specification	UM	Qty
1	05866005	LEFT CRANKCASE COVER		pz	1
2	05867005	GASKET CRANKCASE COVER LEFT		pz	1
3	07524005	SCREW, PAN HEAD W/ WASHER		pz	4
4	05869005	WASHER PLATE		pz	4
5	05870005	COVER SPROCKET		pz	1
6	05871005	GUIDA CATENA		pz	1
7	05872005	SCREW PAN HEAD		pz	2
8	09313005	COPERCHIO CARTER DX		pz	1
9	05874005	GASKET CRANKCASE COVER RIGHT		pz	1
10	05875005	BOCCOLA DIAMETRI 8-6.6 ALTEZZA 16		pz	2
11	03957005	TAPPO ISP. OLIO 250 4T		pz	1
12	05877005	O-RING		pz	1
13	08542005	BOLT FLANGE DEEP RECESS		pz	6
14	WR125-0283	BOLT FLG DEEP RECESS M6x40		pz	1
15	WR125-0281	BOLT FLG DEEP RECESS M6x50		pz	1
16	07462005	COVER CLUTCH		pz	1
17	05882005	GASKET CRANKCASE COVER		pz	1
18	09315005	BOLT FLANGE DEEP RECESS		pz	1
19	06708005	BOLT FLANGE DEEP RECESS		pz	5
20	05708005	PERNO DI CENTRAGGIO		pz	2
21	05886005	BOLT BUTTON HEAD		pz	1
22	05705005	RONDELLA RAME 11.2X6X1		pz	1

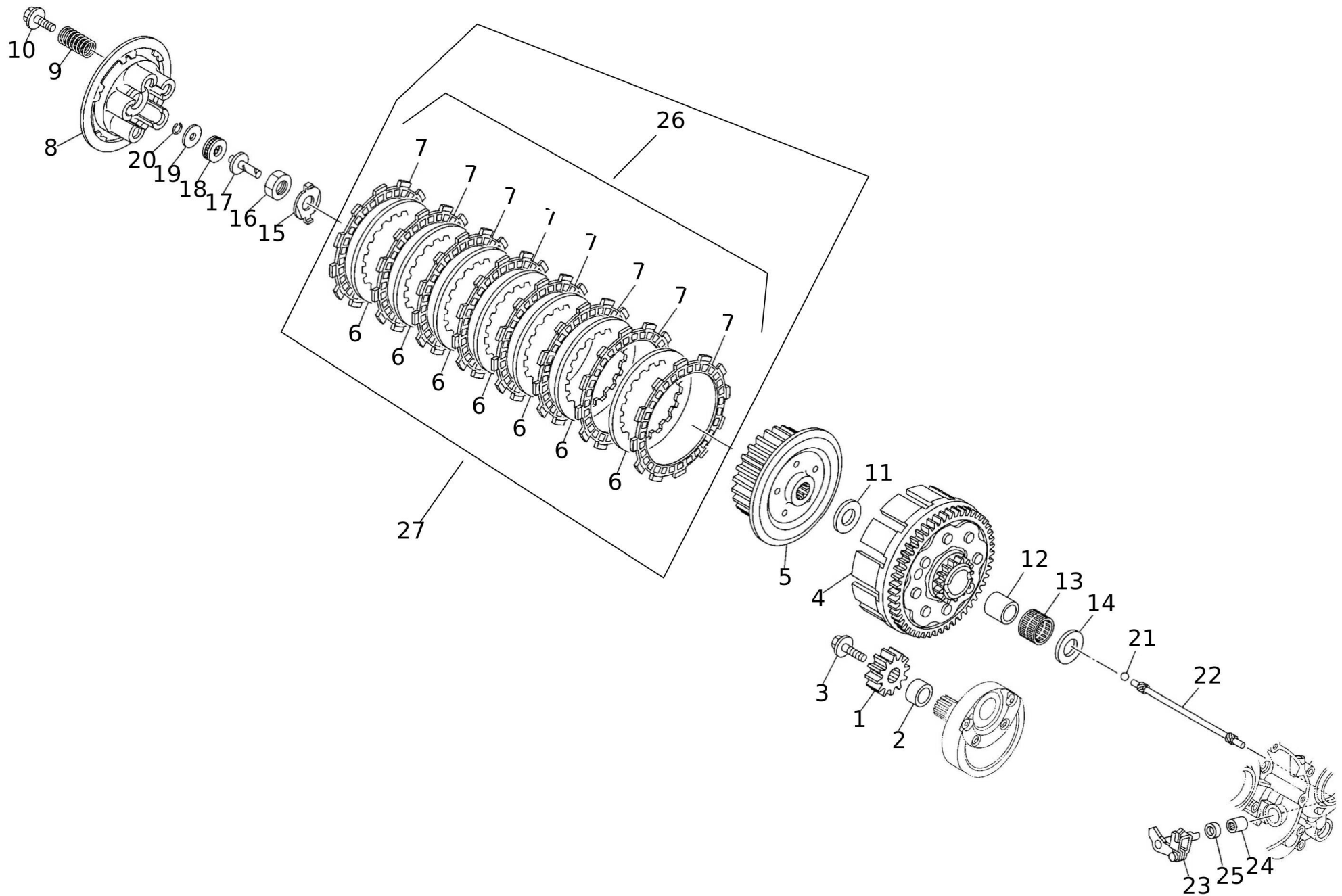




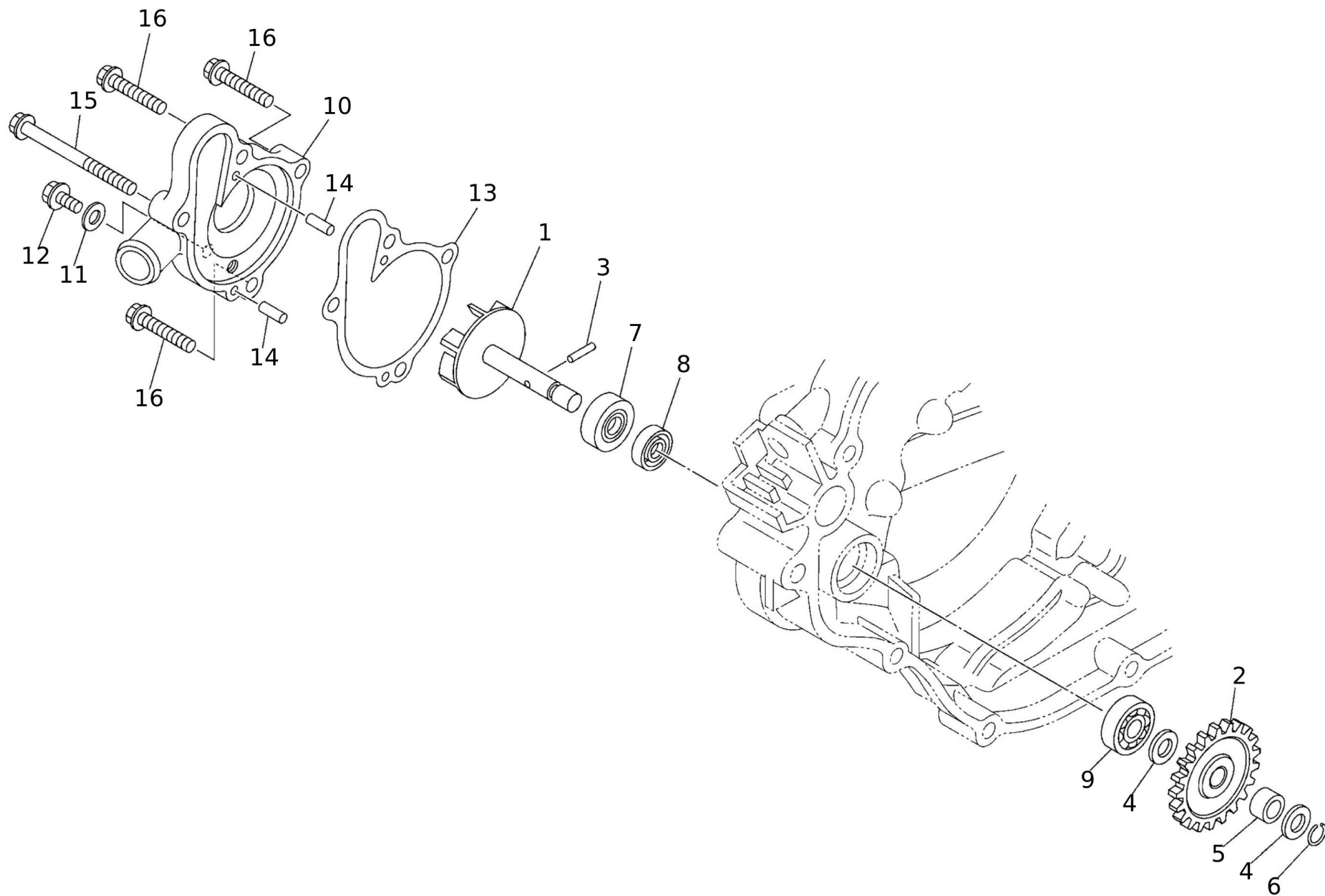
#	Code	Description	Specification	UM	Qty
1	09241005	CRANKSHAFT ASSY		pz	1
2	09242005	CRANKSHAFT		pz	1
3	09243005	CRANKSHAFT		pz	1
4	09244005	BIELLA SINGOLA		pz	1
5	09245005	PIN CRANK 1		pz	1
6	05680005	WASHER		pz	2
7	05681005	BEARING		pz	1
8	09246005	PISTON	RED	pz	1
8	09247005	PISTON	ORANGE	pz	1
8	09248005	PISTON	GREEN	pz	1
8	09249005	PISTON	PURPLE	pz	1
9	05686005	RING PISTON		pz	1
10	09250005	SPINOTTO PISTONE		pz	1
11	05688005	ANELLO ELASTICO		pz	2
12	05689005	BEARING		pz	1
13	05690005	BEARING		pz	2
14	05691005	OIL SEAL		pz	1
15	05692005	OIL SEAL		pz	1
16	05693005	CHIAVETTA DI WOODRUFF		pz	1
17	09472005	PISTONE COMPLETO	ORANGE	pz	1



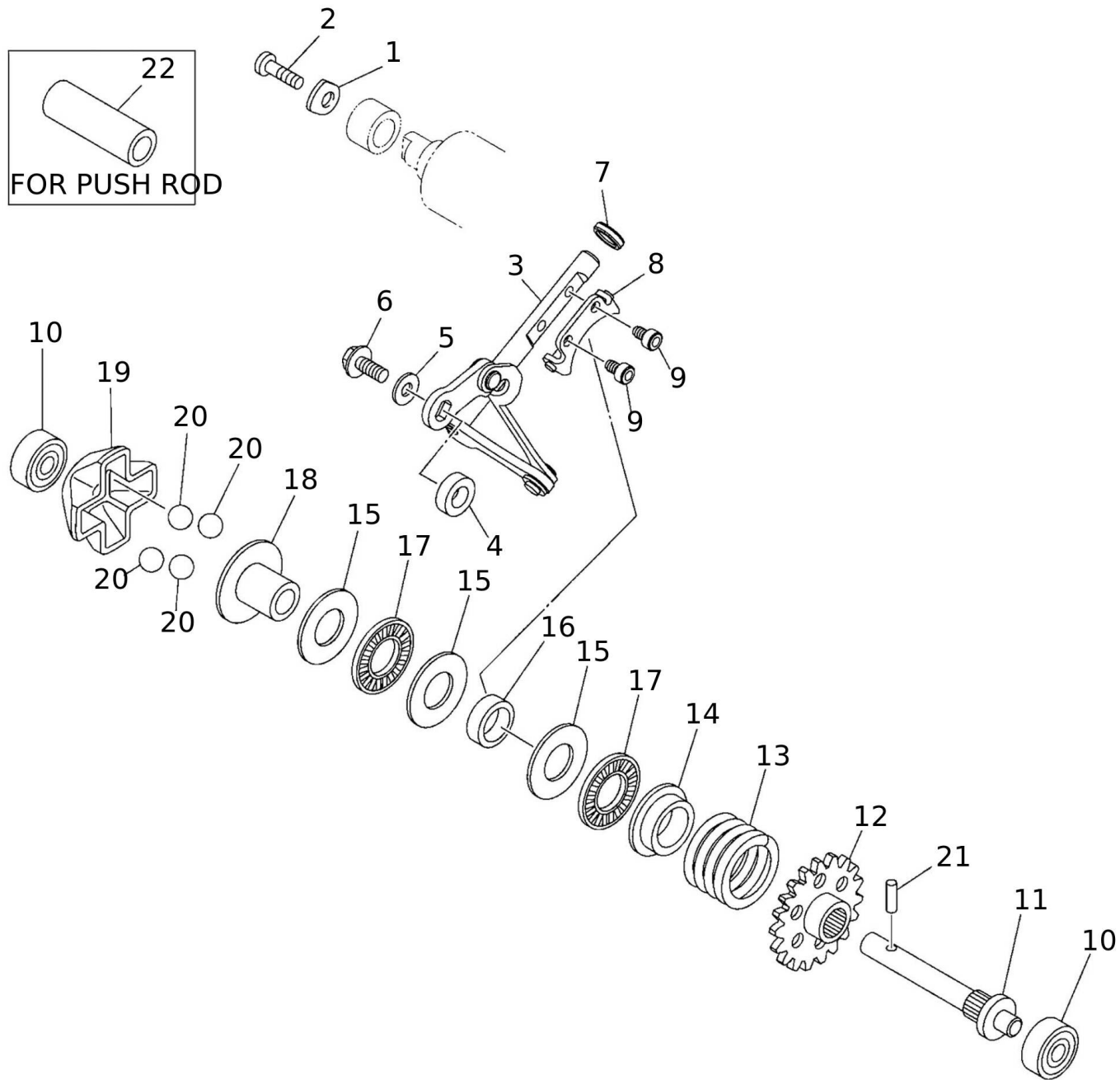
#	Code	Description	Specification	UM	Qty
1	09251005	HEAD CYLINDER		pz	1
2	05617005	BOLT STUD		pz	5
3	05618005	NUT CROWN		pz	5
4	05619005	WASHER PLATE		pz	5
5	05620005	O-RING		pz	1
6	05621005	O-RING		pz	1
7	07779005	SPINA DI CENTRAGGIO		pz	2
8	09252005	CYLINDER 1		pz	1
9	09253005	GASKET CYLINDER		pz	1
10	05624005	BOLT STUD		pz	2
11	05625005	BOLT STUD		pz	2
12	05626005	PIN DOWEL		pz	2
13	05627005	NUT		pz	4
14	05628005	PLUG SPARK (NGK BR9EVX)		pz	1
15	09254005	VALVE ASSY		pz	1
16	09255005	VALVE ASSY		pz	1
17	09256005	SCREW		pz	4
18	05632005	SHAFT		pz	1
19	05633005	LEVER LINK		pz	1
20	05634005	BOLT HEXAGON SOCKET HEAD		pz	1
21	05635005	HOLDER		pz	1
22	05636005	OIL SEAL		pz	1
23	09257005	COVER		pz	1
24	05638005	PIPE BREATHER		pz	1
25	05639005	CLIP		pz	1
26	05640005	GASKET		pz	1
27	09258005	BOLT WITH WASHER		pz	4
28	05642005	SPRING TORSION		pz	2
29	05643005	COLLAR		pz	2
30	09259005	HOUSING		pz	1
31	09260005	GASKET		pz	1
32	07807005	SCREW		pz	3
33	05647005	WASHER PLATE		pz	3
34	09261005	GASKET		pz	1



#	Code	Description	Specification	UM	Qty
1	05906005	GEAR, PRIMARY DRIVE		pz	1
2	05907005	COLLAR		pz	1
3	05908005	BOLT FLANGE		pz	1
4	05909005	PRIMARY DRIVEN GEAR COMP.		pz	1
5	05910005	BOSS CLUTCH		pz	1
6	05911005	PLATE CLUTCH 2		pz	7
7	05912005	PLATE FRICTION		pz	8
8	05913005	PLATE PRESSURE 1		pz	1
9	09262005	SPRING COMPRESSION		pz	5
10	05915005	SCREW WITH WASHER		pz	5
11	05916005	WASHER		pz	1
12	05917005	BAR SHIFT FORK GUIDE		pz	1
13	05918005	BEARING		pz	1
14	05916005	WASHER		pz	1
15	05920005	WASHER LOCK		pz	1
16	05921005	DADO		pz	1
17	05922005	ASTA DI SPINTA 1		pz	1
18	05923005	BEARING		pz	1
19	05924005	WASHER		pz	1
20	05699005	ANELLO ELASTICO		pz	1
21	05926005	SFERA		pz	1
22	09263005	ROD PUSH		pz	1
23	05928005	PUSH LEVER ASSY		pz	1
24	05929005	BEARING		pz	1
25	05930005	OIL SEAL		pz	1
26	09473005	KIT DISCHI GUARNITI		pz	1
27	09474005	KIT DISCHI FRIZIONE CPL		pz	1

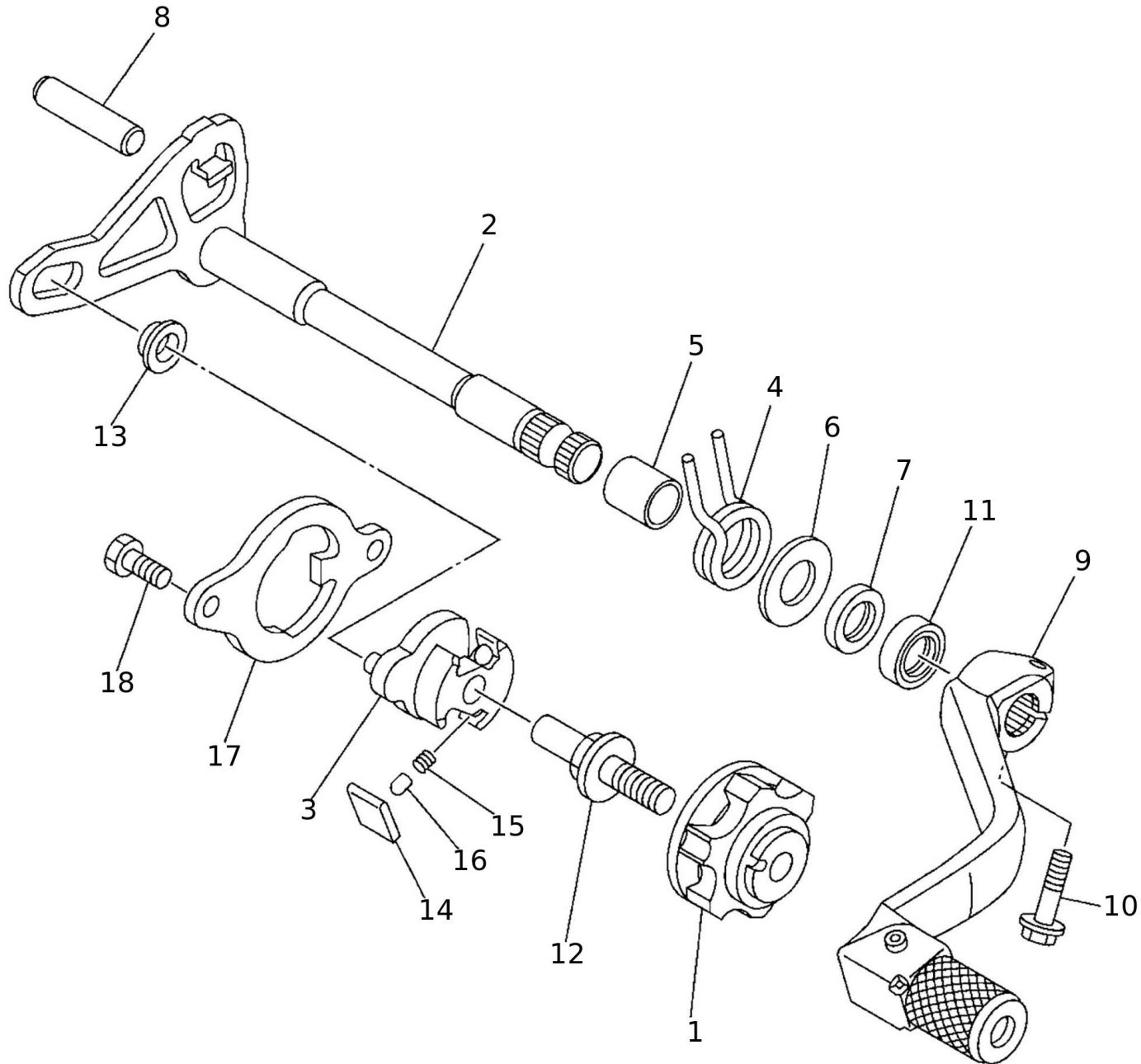


#	Code	Description	Specification	UM	Qty
1	05694005	IMPELLER SHAFT ASSY		pz	1
2	05695005	GEAR IMPELLER SHAFT		pz	1
3	05696005	PIN DOWEL		pz	1
4	05697005	WASHER		pz	2
5	05698005	BOCCOLA		pz	1
6	05699005	ANELLO ELASTICO		pz	1
7	05700005	OIL SEAL		pz	1
8	05701005	OIL SEAL		pz	1
9	05661005	BEARING		pz	1
10	05704005	COVER HOUSING		pz	1
11	05705005	RONDELLA RAME 11.2X6X1		pz	1
12	05706005	BOLT FLANGE		pz	1
13	05707005	GASKET HOUSING COVER 2		pz	1
14	05708005	PERNO DI CENTRAGGIO		pz	2
15	09315005	BOLT FLANGE DEEP RECESS		pz	1
16	06708005	BOLT FLANGE DEEP RECESS		pz	3

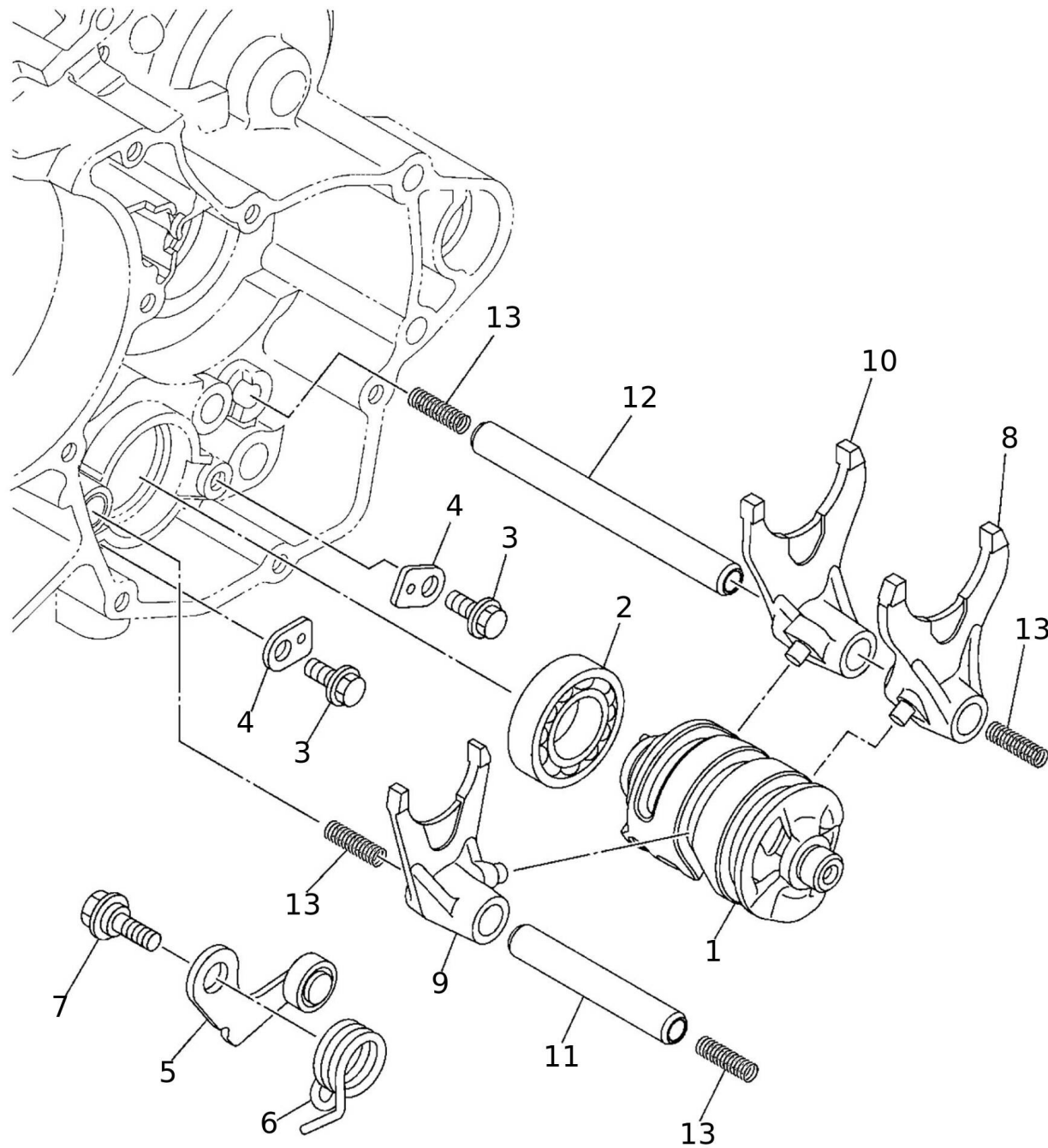




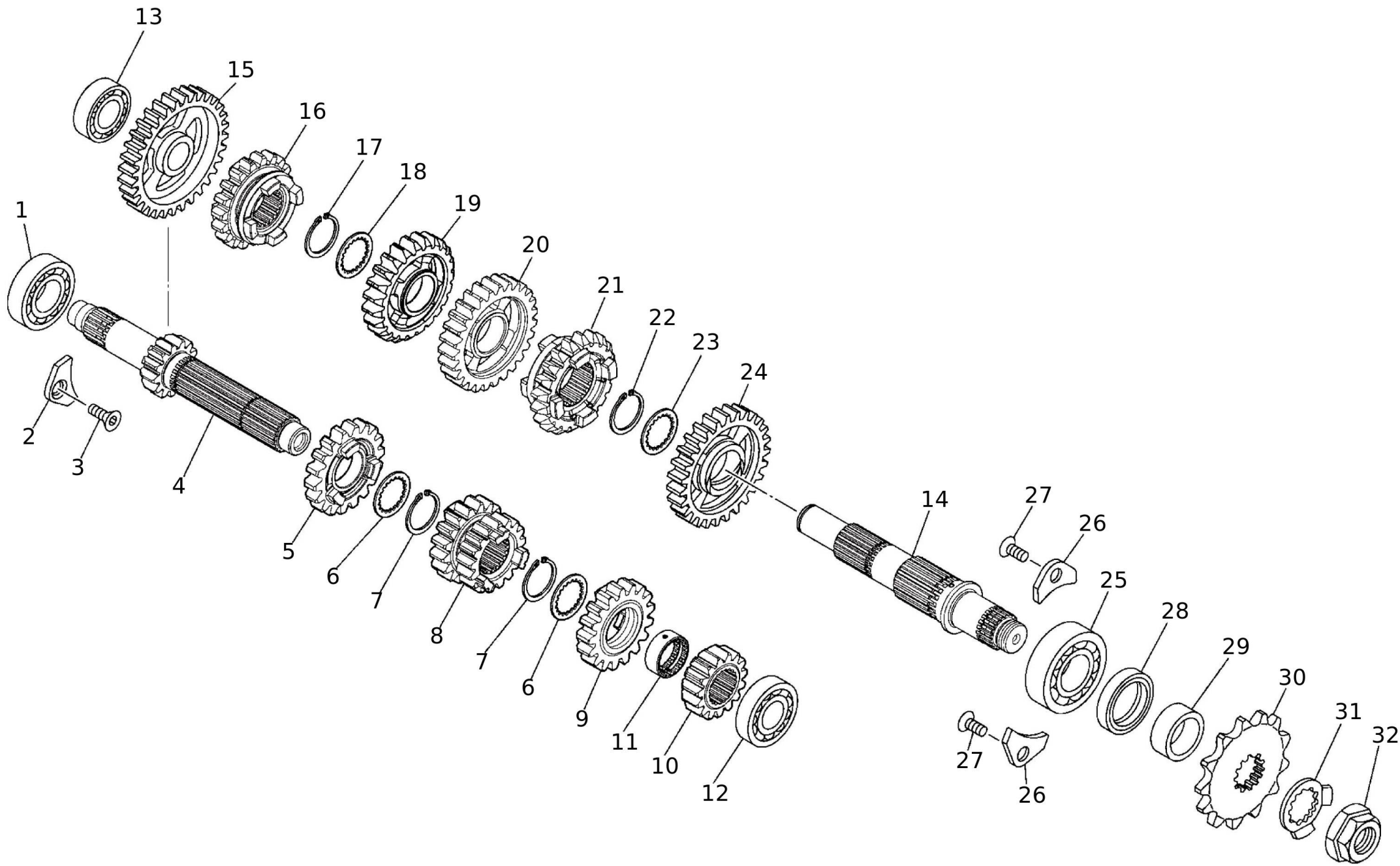
#	Code	Description	Specification	UM	Qty
1	05652005	PIASTRINA		pz	1
2	05653005	SCREW PAN HEAD		pz	1
3	09264005	PUSH ROD ASSY		pz	1
4	05655005	COLLAR		pz	1
5	05656005	WASHER PLATE		pz	1
6	07812005	BOLT WITH WASHER		pz	1
7	05636005	OIL SEAL		pz	1
8	05659005	FORK GOVERNOR		pz	1
9	05660005	BOLT HEXAGON SOCKET HEAD		pz	2
10	05661005	BEARING		pz	2
11	05662005	SHAFT GOVERNOR		pz	1
12	05663005	GEAR GOVERNOR		pz	1
13	05664005	SPRING COMPRESSION		pz	1
14	05665005	BOCCOLA		pz	1
15	05666005	WASHER		pz	3
16	05667005	RING		pz	1
17	05668005	BEARING		pz	2
18	05669005	BOCCOLA		pz	1
19	05670005	FERMO		pz	1
20	05671005	SFERA		pz	4
21	05672005	PIN DOWEL		pz	1
22	05673005	BOCCOLA	Accessory	pz	1



#	Code	Description	Specification	UM	Qty
1	05975005	SEGMENT		pz	1
2	09265005	SHIFT SHAFT ASSY		pz	1
3	05977005	LEVER SHIFT		pz	1
4	08055005	SPRING TORSION		pz	1
5	05979005	BAR SHIFT FORK GUIDE		pz	1
6	05980005	WASHER		pz	1
7	05981005	OIL SEAL		pz	1
8	05982005	PERNO DI CENTRAGGIO		pz	1
9	05983005	SHIFT PEDAL ASSY		pz	1
10	06722005	VITE 6X12 TE8 FLANGIA 10.5		pz	1
11	05985005	OIL SEAL		pz	1
12	05986005	PERNO DEL SELETTORE		pz	1
13	05987005	RULLO LEVA DEL CAMBIO		pz	1
14	05988005	DENTE DI ARRESTO		pz	2
15	05989005	SPRING COMPRESSION		pz	2
16	05990005	GRANO SPINA DENTE DI ARRESTO		pz	2
17	05991005	GUIDA DEL CAMBIO		pz	1
18	05992005	VITE M6X12 TE		pz	2

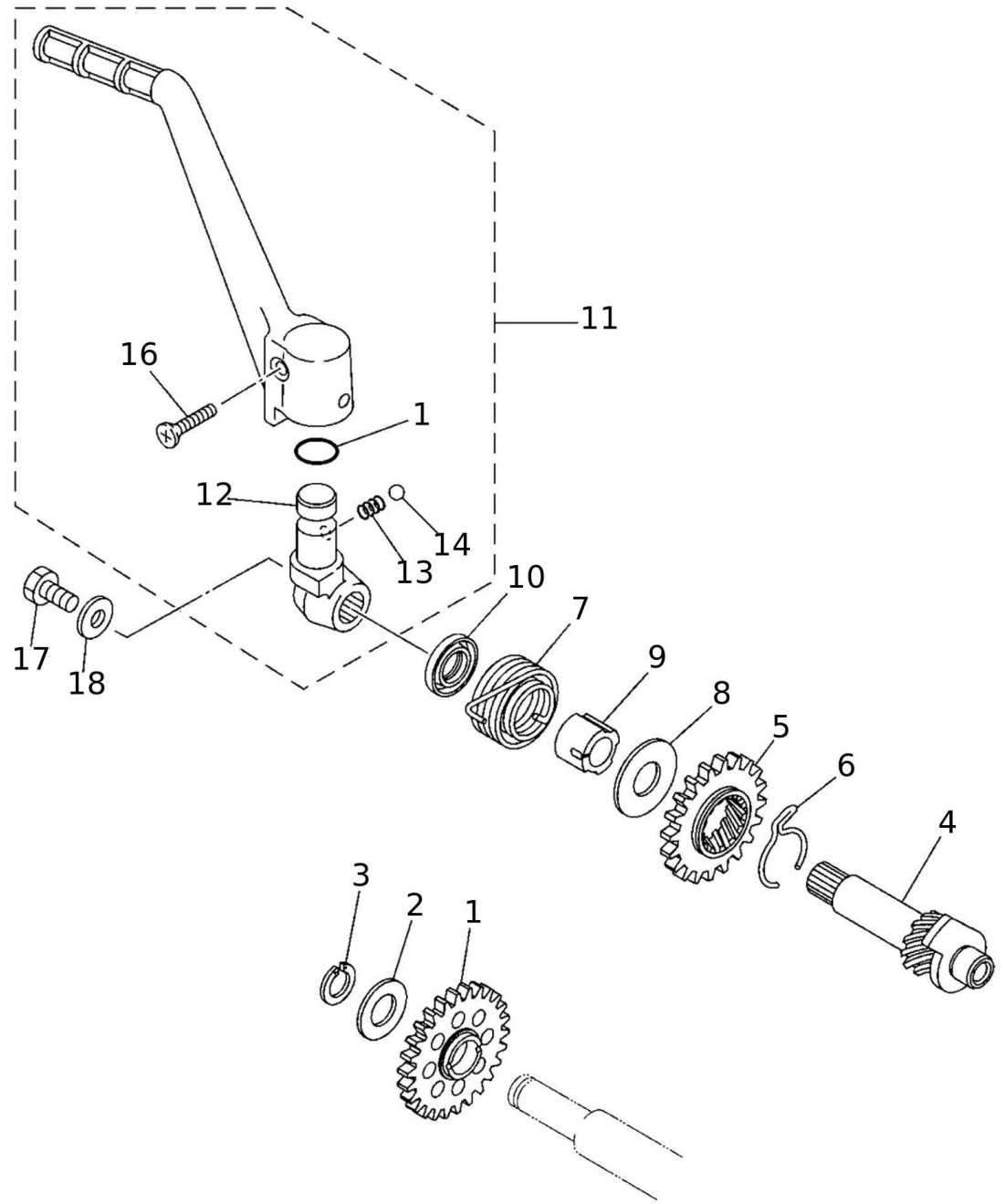


#	Code	Description	Specification	UM	Qty
1	09266005	CAM SHIFT		pz	1
2	05964005	BEARING		pz	1
3	09187005	BOLT WITH WASHER		pz	2
4	05966005	PLATE STOPPER		pz	2
5	05967005	GRUPPO LEVA DI ARRESTO		pz	1
6	09479005	MOLLA LEVA INDEX		pz	1
7	05969005	BOLT		pz	1
8	05970005	FORCHETTA DEL CAMBIO 1		pz	1
9	05971005	FORCHETTA DEL CAMBIO 2		pz	1
10	05972005	FORCHETTA DEL CAMBIO 3		pz	1
11	09268005	BAR SHIFT FORK GUIDE		pz	1
12	09269005	BAR SHIFT FORK GUIDE		pz	1
13	06914005	SPRING COMPRESSION		pz	4



Gear Shift

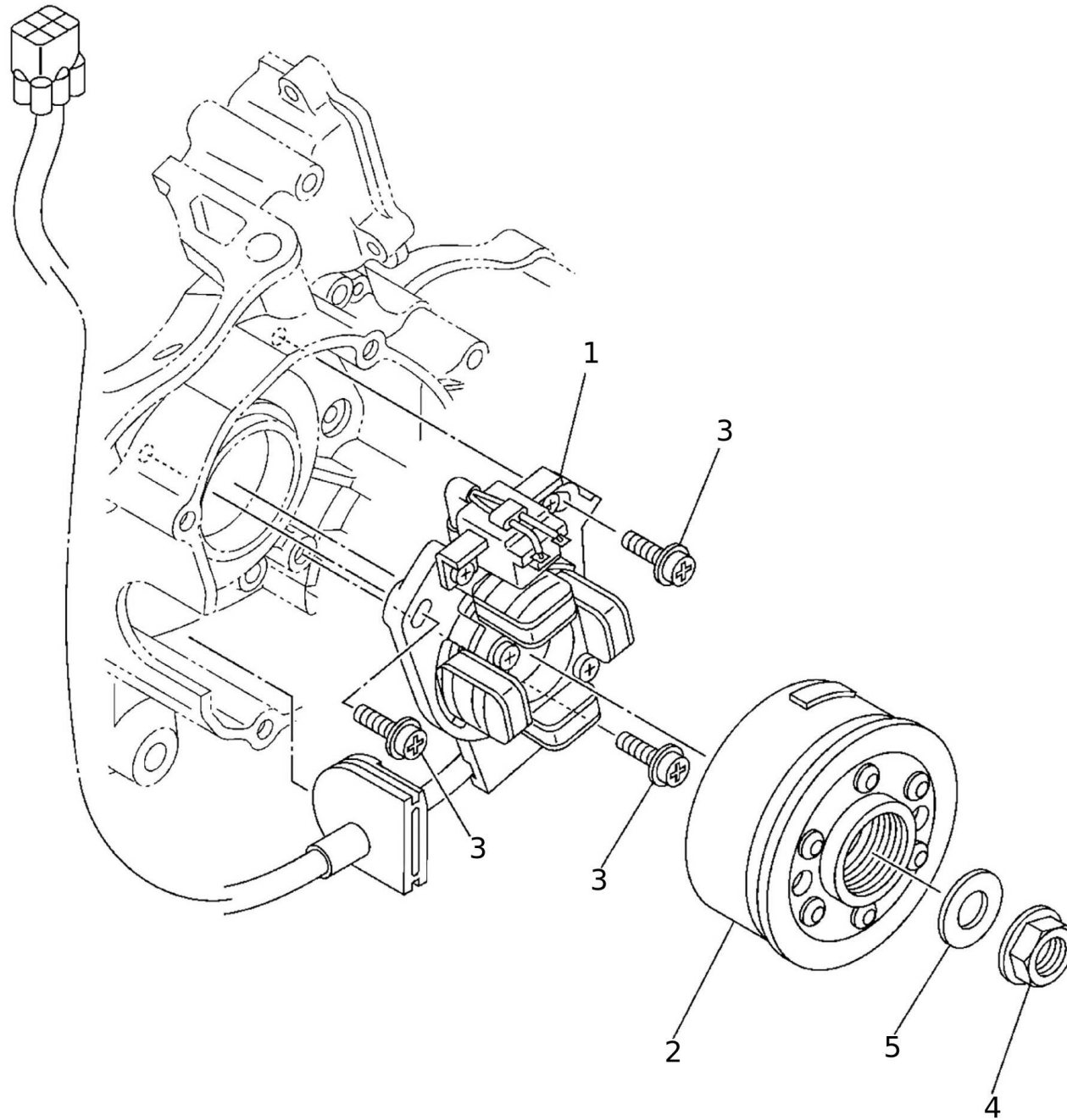
#	Code	Description	Specification	UM	Qty
1	05931005	BEARING		pz	1
2	05932005	PIASTRINA COPERTURA CUSCINETTO		pz	1
3	05933005	SCREW		pz	1
4	09270005	AXLE MAIN (13T)		pz	1
5	09271005	GEAR 6TH PINION (18T)		pz	1
6	05948005	WASHER		pz	2
7	01770005	CIRCLIP		pz	2
8	09272005	GEAR 3RD PINION (17T/17T)		pz	1
9	09273005	GEAR 5TH PINION (17T)		pz	1
10	09274005	GEAR 2ND PINION (15T)		pz	1
11	06887005	BOCCOLA		pz	1
12	05942005	BEARING		pz	1
13	05943005	BEARING		pz	1
14	09275005	AXLE DRIVE		pz	1
15	05945005	GEAR 1ST WHEEL (31T)		pz	1
16	09276005	GEAR 6TH WHEEL (19T)		pz	1
17	01770005	CIRCLIP		pz	1
18	05948005	WASHER		pz	1
19	09277005	GEAR 4TH WHEEL (23T)		pz	1
20	09278005	GEAR 3RD WHEEL (27T)		pz	1
21	09279005	GEAR 5TH WHEEL (20T)		pz	1
22	05952005	ANELLO ELASTICO		pz	1
23	05953005	WASHER		pz	1
24	09280005	GEAR 2ND WHEEL (29T)		pz	1
25	05955005	BEARING		pz	1
26	05932005	PIASTRINA COPERTURA CUSCINETTO		pz	2
27	05933005	SCREW		pz	2
28	05958005	OIL SEAL		pz	1
29	05959005	COLLAR		pz	1
30	05960005	PINION Z13		pz	1
31	05961005	WASHER LOCK		pz	1
32	05962005	NUT		pz	1



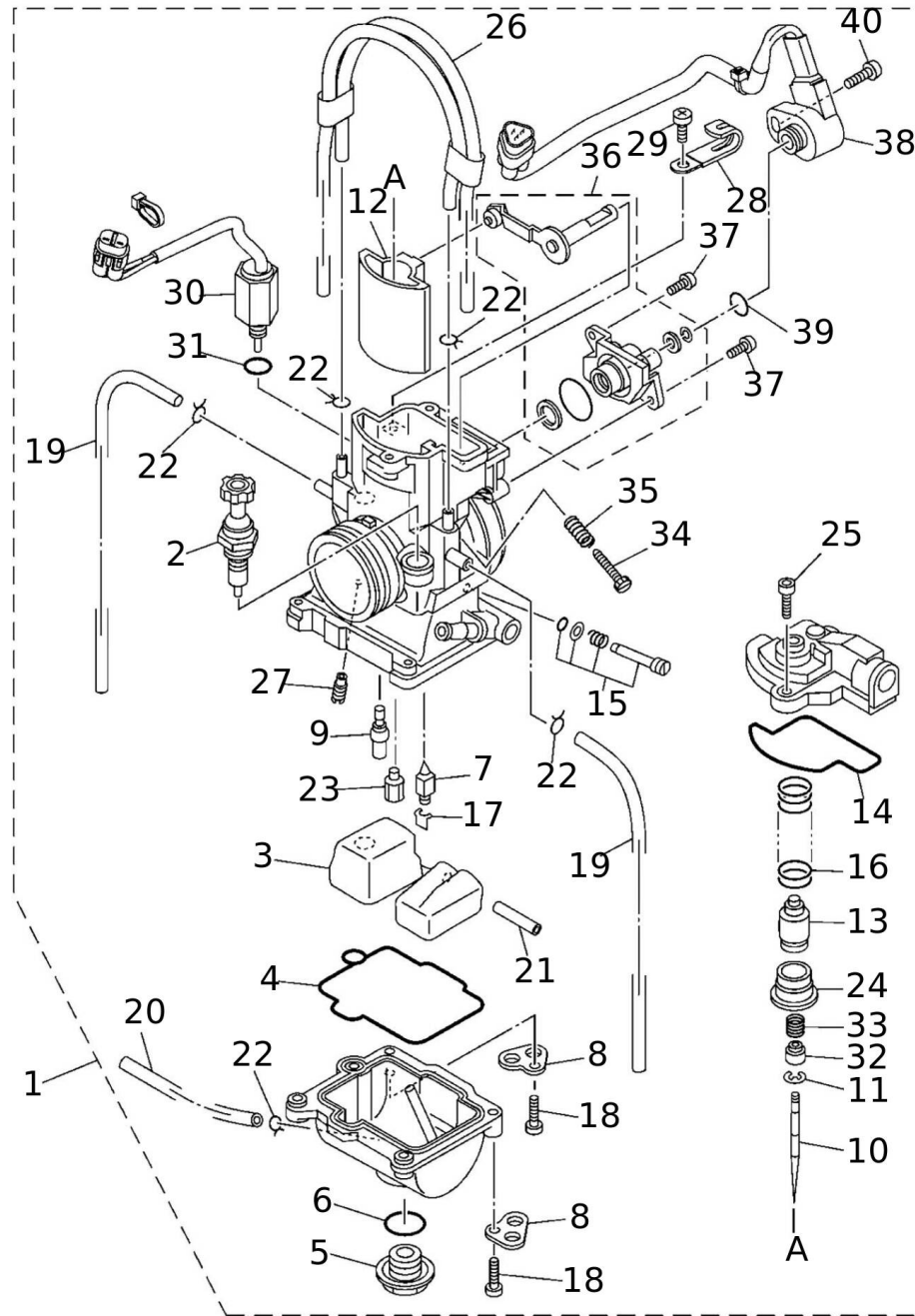
Starter



#	Code	Description	Specification	UM	Qty
1	05888005	GEAR KICK IDLE		pz	1
2	05889005	WASHER		pz	1
3	05890005	ANELLO ELASTICO		pz	1
4	09281005	KICK AXLE ASSY		pz	1
5	05892005	GEAR KICK		pz	1
6	05893005	CLIP		pz	1
7	05894005	SPRING TORSION		pz	1
8	05895005	WASHER		pz	1
9	05896005	BAR SHIFT FORK GUIDE		pz	1
10	05897005	OIL SEAL		pz	1
11	05898005	KICK CRANK ASSY		pz	1
12	05899005	BOSS KICK CRANK		pz	1
13	05900005	SPRING COMPRESSION		pz	1
14	05901005	SFERA		pz	1
15	05902005	O-RING		pz	1
16	05903005	SCREW COUNTERSUNK		pz	1
17	08663005	BOLT, HEXAGON		pz	1
18	08664005	WASHER, PLATE		pz	1



#	Code	Description	Specification	UM	Qty
1	09282005	BASE ASSY		pz	1
2	09283005	ROTOR ASSY		pz	1
3	06182005	SCREW		pz	3
4	06375005	NUT		pz	1
5	06376005	RONDELLA 22X1		pz	1



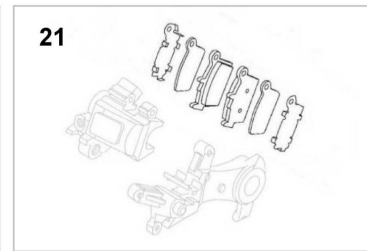
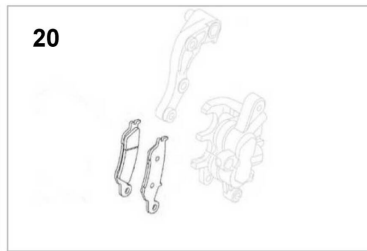
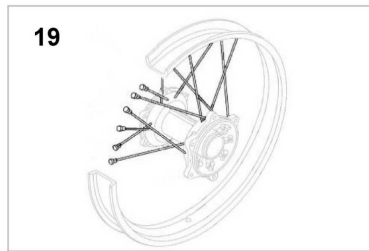
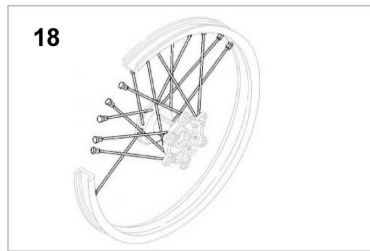
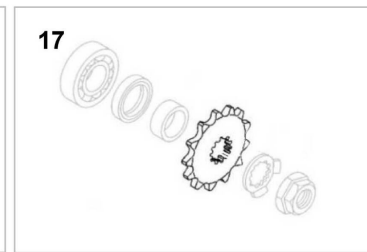
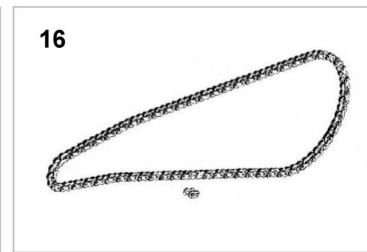
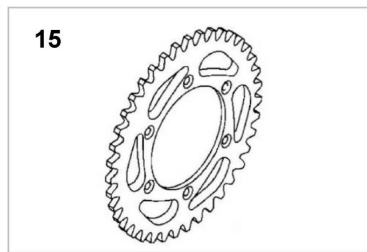
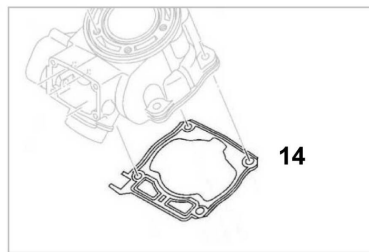
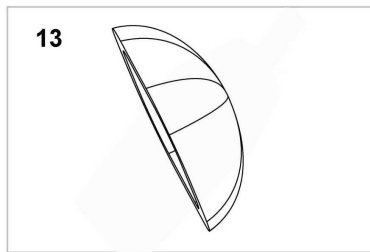
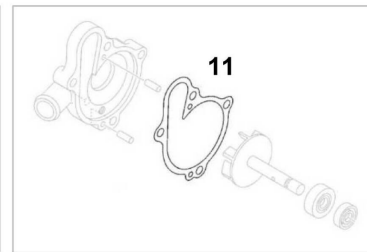
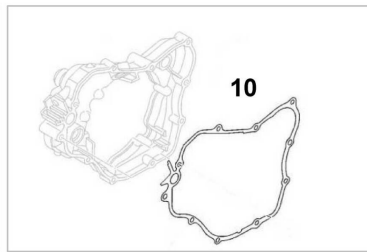
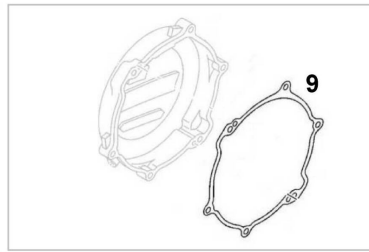
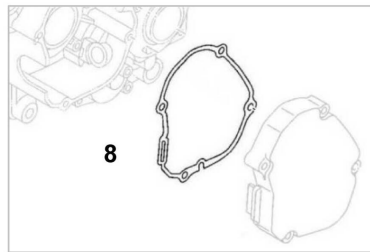
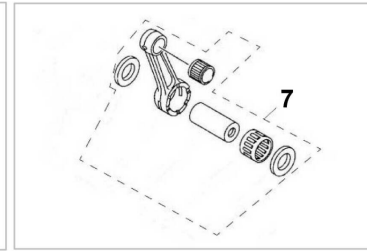
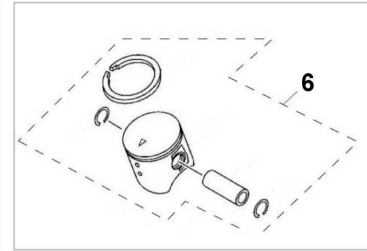
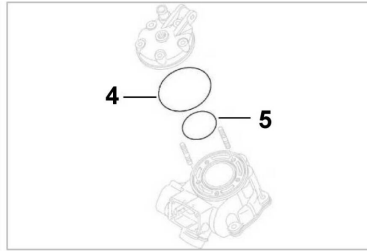
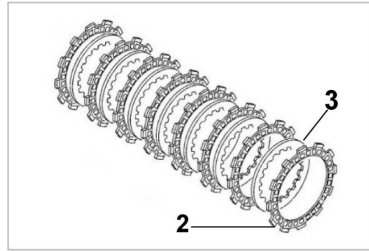
CARBURETOR ASSY 1

#	Code	Description	Specification	UM	Qty
1	08865005	CARBURETOR ASSY PWK38 XX125 MY22		pz	1
2	07859005	PLUNGER STARTER		pz	1
3	07860005	FLOAT		pz	1
4	07861005	GASKET FLOAT CHAMBER		pz	1
5	07862005	PLUG, STRAIGHT SCREW		pz	1
6	07863005	O-RING		pz	1
7	07864005	VALVE NEEDLE		pz	1
8	07865005	PIASTRINA		pz	2
9	07866005	.JET, SLOW (#52)		pz	1
9	07867005	.JET, SLOW (#62)		pz	1
9	07868005	.JET, SLOW (#60)		pz	1
9	07869005	.JET, SLOW (#58)		pz	1
9	07870005	.JET, SLOW (#55)		pz	1
9	07871005	.JET, SLOW (#50)		pz	1
9	08988001	GETTO DEL MINIMO (#65)		pz	1
9	08989001	GETTO DEL MINIMO (#68)		pz	1
9	08990001	GETTO DEL MINIMO (#70)		pz	1
9	08991001	GETTO DEL MINIMO (#72)		pz	1
9	08992001	GETTO DEL MINIMO (#75)		pz	1
9	08993001	GETTO DEL MINIMO (#78)		pz	1
9	08994001	GETTO DEL MINIMO (#80)		pz	1
10	09003001	SPILLO (NYEH)		pz	1
10	09004001	SPILLO (NYDH)		pz	1
10	09005001	SPILLO (NYCH)		pz	1
10	09006001	SPILLO (NYFH)		pz	1
10	09007001	SPILLO (NYEG)		pz	1
10	09008001	SPILLO (NYDG)		pz	1
10	09009001	SPILLO (NYCG)		pz	1
10	09010001	SPILLO (NYFG)		pz	1
10	09011001	SPILLO (NYEF)		pz	1
10	09012001	SPILLO (NYDF)		pz	1
10	09013001	SPILLO (NYCF)		pz	1
10	09014001	SPILLO (NYFF)		pz	1
10	09015001	SPILLO (NYEE)		pz	1
10	09016001	SPILLO (NYDE)		pz	1
10	09017001	SPILLO (NYCE)		pz	1
10	09018001	SPILLO (NYFE)		pz	1
10	09019001	SPILLO (NYED)		pz	1
10	09020001	SPILLO (NYDD)		pz	1
10	09021001	SPILLO (NYCD)		pz	1



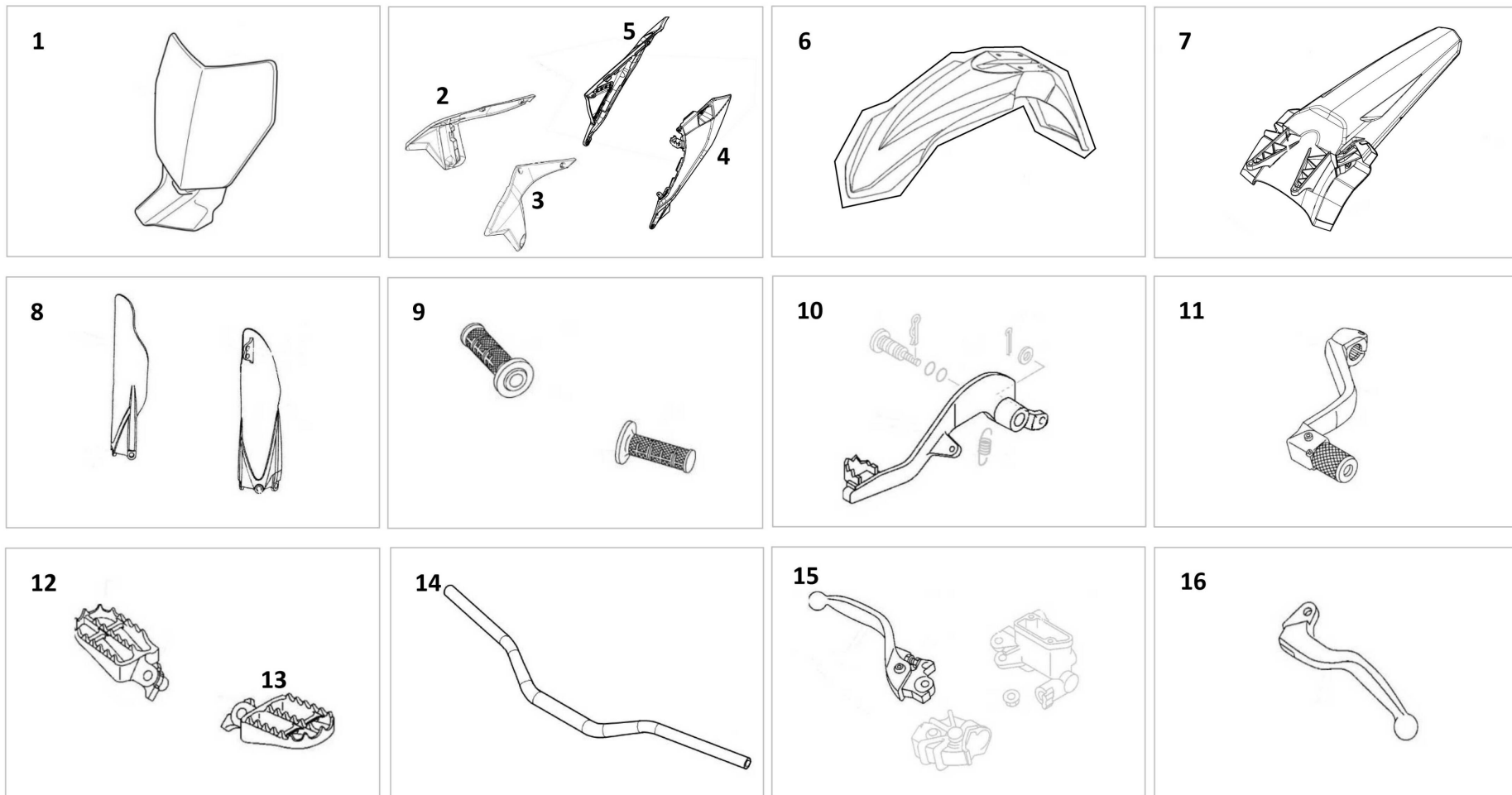
#	Code	Description	Specification	UM	Qty
10	09022001	SPILLO (NYFD)		pz	1
11	07894005	ANELLO ELASTICO		pz	1
12	07895005	VALVE ASSY		pz	1
13	07896005	SUPPORTO		pz	1
14	07897005	GASKET		pz	1
15	07898005	PILOT SCREW SET		pz	1
16	07899005	SPRING THROTTLE VALVE		pz	1
17	07900005	CLIP		pz	1
18	07901005	SCREW PAN HEAD		pz	4
19	07902005	PIPE		pz	2
20	07903005	PIPE, BREATHER 1		pz	1
21	07904005	PIN CLEVIS		pz	1
22	07905005	CLIP		pz	5
23	07912005	.JET, MAIN (#175)		pz	1
23	07913005	.JET, MAIN (#172)		pz	1
23	07914005	.JET, MAIN (#170)		pz	1
23	07915005	.JET, MAIN (#168)		pz	1
23	07916005	.JET, MAIN (#165)		pz	1
23	07917005	.JET, MAIN (#162)		pz	1
23	08997001	GETTO DEL MASSIMO (#160)		pz	1
23	08998001	GETTO DEL MASSIMO (#158)		pz	1
23	08999001	GETTO DEL MASSIMO (#155)		pz	1
23	09000001	GETTO DEL MASSIMO (#152)		pz	1
23	09001001	GETTO DEL MASSIMO (#150)		pz	1
23	09002001	GETTO DEL MASSIMO (#148)		pz	1
24	07918005	RING		pz	1
25	09284005	BOLT WITH WASHER		pz	2
26	07920005	HOSE		pz	1
27	07921005	.JET (#50)		pz	1
27	07922005	.JET (#55)		pz	1
27	07923005	.JET (#60)		pz	1
27	07926005	.JET (#40)		pz	1
27	08995001	GETTO DI AVVIAMENTO (#35)		pz	1
27	08996001	GETTO DI AVVIAMENTO (#45)		pz	1
28	07927005	CLAMP		pz	1
29	07928005	SCREW PAN HEAD		pz	1
30	09285005	SOLENOID VALVE		pz	1
31	07930005	O-RING		pz	1
32	07931005	BOCCOLA		pz	1
33	07932005	SPRING		pz	1

#	Code	Description	Specification	UM	Qty
34	07933005	SCREW THROTTLE		pz	1
35	07934005	SPRING THROTTLE STOP		pz	1
36	09286005	LEVER COMP		pz	1
37	07936005	SCREW		pz	2
38	09287005	THROTTLE SENSOR ASSY		pz	1
39	07938005	O-RING		pz	1
40	08348005	SCREW		pz	1





#	Code	Description	Specification	UM	Qty
1	06114005	PARAPOLVERE AMMORTIZZATORE		pz	2
2	05912005	PLATE FRICTION		pz	8
3	05911005	PLATE CLUTCH 2		pz	7
4	05621005	O-RING		pz	1
5	05620005	O-RING		pz	1
6	09472005	PISTONE COMPLETO		pz	1
7	09241005	CRANKSHAFT ASSY		pz	1
8	05867005	GASKET CRANKCASE COVER LEFT		pz	1
9	05882005	GASKET CRANKCASE COVER		pz	1
10	05874005	GASKET CRANKCASE COVER RIGHT		pz	1
11	08542005	BOLT FLANGE DEEP RECESS		pz	1
12	05628005	PLUG SPARK (NGK BR9EVX)		pz	1
13	09500005	AIR FILTER OFF-ROAD 2T MY23		pz	1
14	09253005	GASKET CYLINDER		pz	1
15	06242005	SPROCKET DRIVEN (48T)		pz	1
15	06243005	SPROCKET DRIVEN (47T)		pz	1
15	06247005	SPROCKET DRIVEN (52T)		pz	1
15	08468001	CORONA POST 51D MY22		pz	1
15	08696005	CORONA POST Z 50 MY22		pz	1
15	08697005	CORONA POST 49D MY22		pz	1
16	09468005	CATENA DID520DMS 112 CON FALSAMAGLIA		pz	1
17	05960005	PINION Z13		pz	1
18	06201005	SPOKE SET FRONT		pz	1
19	06236005	SET RAGGI POSTERIORE 19"		pz	1
20	08739005	PASTIGLIE FRENO ANT		pz	1
21	06277005	BRAKE PAD KIT 2		pz	1
22	09225020	KIT MINUTERIE OFF-ROAD		pz	1



#	Code	Description	Specification	UM	Qty
1	07503005	FRONT PLATE NUMBER OFF-ROAD		pz	1
2	07496005	RIGHT SPOILER XX/XE 2T		pz	1
3	07495005	LEFT SPOILER XX/XE		pz	1
4	09450005	SIDE COVER LEFT XX/XE MY23		pz	1
5	09451005	SIDE COVER RIGHT XX/XE MY23		pz	1
6	07500005	FRONT FENDER OFF-ROAD WHITE		pz	1
7	09452005	REAR FENDER XX MY23		pz	1
8	07662005	FORK SLIDER PROTECTORS (PAIR)		pz	1
9	07437005	OFF-ROAD KNOB PAIR		pz	1
10	06330005	PEDAL BRAKE		pz	1
11	05983005	SHIFT PEDAL ASSY		pz	1
12	06339005	FOOTREST 2		pz	1
13	06338005	FOOTREST 1		pz	1
14	06293005	HANDLEBAR		pz	1
15	08740005	LEVA FRENO ANT.		pz	1
16	08295005	LEVER 1		pz	1