



Spare parts catalogue
XX 250 MY23-MY24

Index

Models	4
Frame	6
Swingarm	9
Shock Absorber	11
Steering plates	13
Fork	15
Front wheel	17
Rear wheel	19
Front Brake	21
Rear Brake	23
Radiators	26
Fuel tank	28
Intake	30
Exhaust	32
Handlebar - Controls	34
Front Bodywork	36
Rear Bodywork	38
Wiring	40
Booklets - Decalco	42
Crankcase	44
Crankcase Covers	46
Motor shaft - Piston	48
Head - Cylinder	50
Clutch	53
Water pump	55
Exhaust valve control	57
Shift control	59
SHIFT CAM	61
Gear shift	63
Starter	65

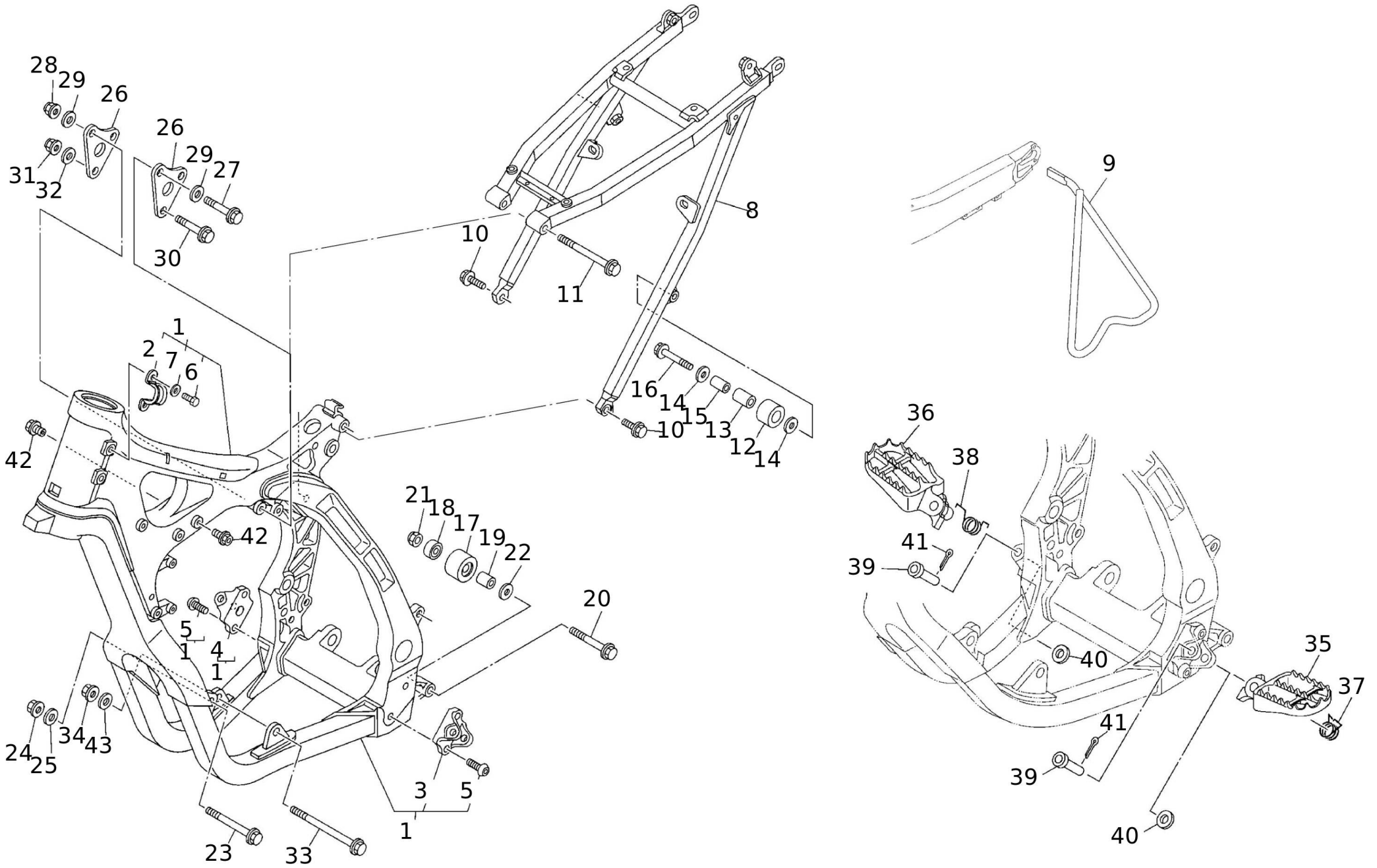
Flywheel	67
CARBURETOR ASSY 1	69
100 - Suggested Spare Parts 2-Stroke	73
101 - Suggested Spare Parts 2 Stroke	75



XX 250
XX

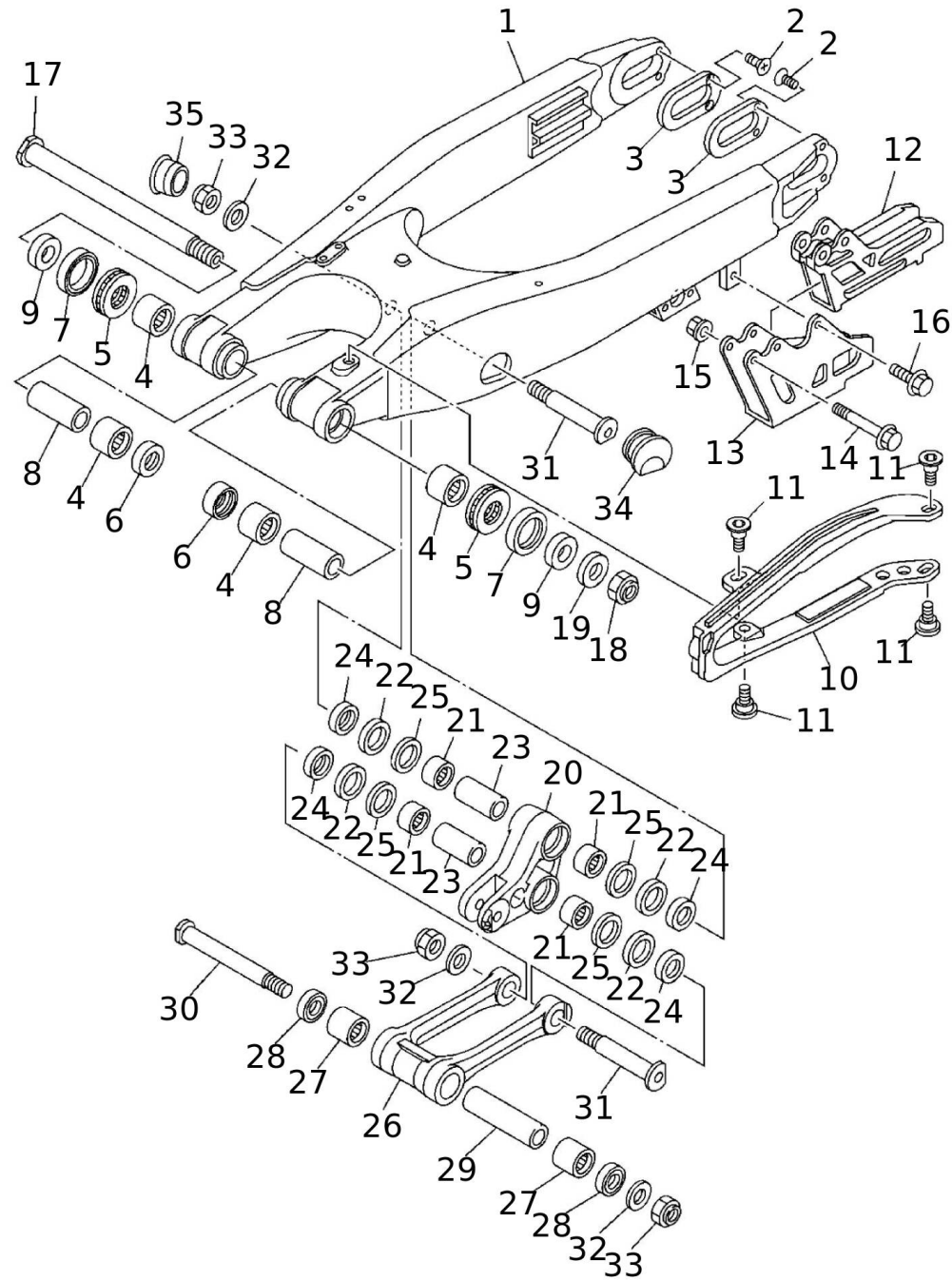
#	Code	Description	Specification	UM	Qty
---	------	-------------	---------------	----	-----



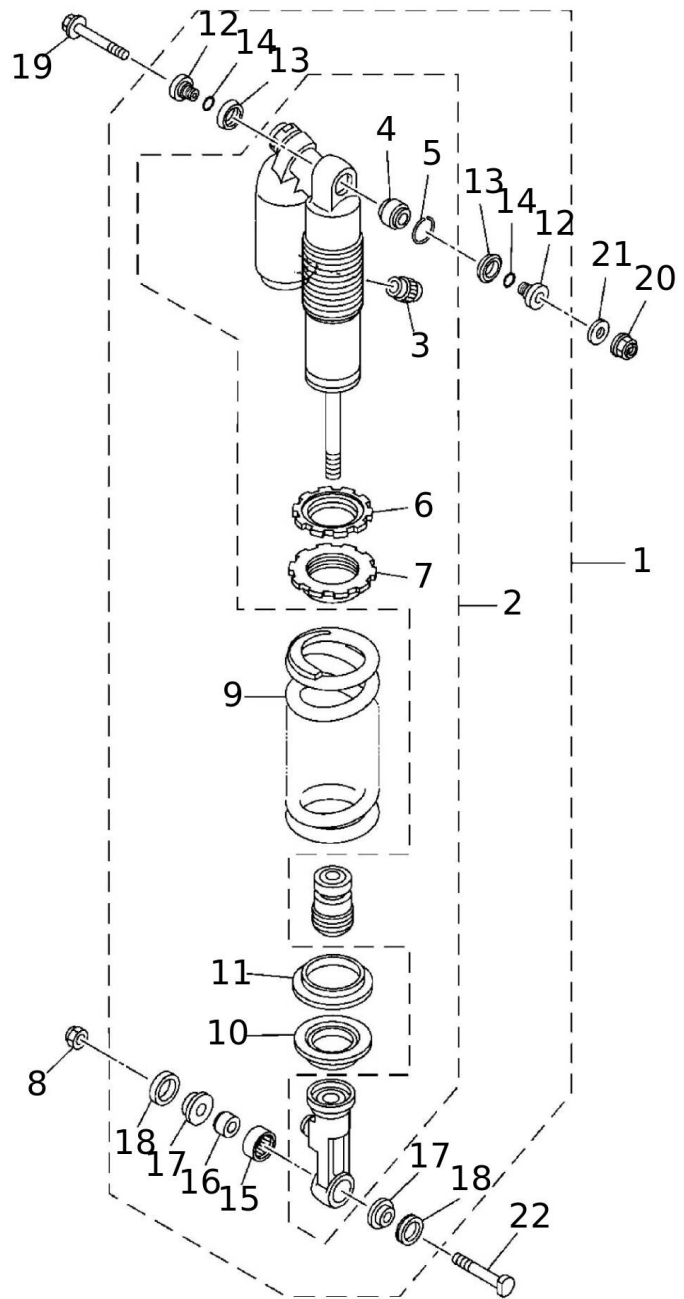


#	Code	Description	Specification	UM	Qty
1	08057005	FRONT FRAME COMP.		pz	1
2	05994005	CLAMP WIRE HARNESS		pz	1
3	05995005	BRACKET FOOTREST		pz	1
4	05996005	BRACKET FOOTREST		pz	1
5	05997005	VITE M10X20 PASSO 1.25 TORX		pz	4
6	05657005	BOLT		pz	2
7	05999005	WASHER PLATE		pz	2
8	06000005	REAR FRAME COMP.		pz	1
9	06345005	STAND SIDE		pz	1
10	09422005	BOLT M8X18, COLLAR 19		pz	2
11	06003005	BOLT FLANGE		pz	1
12	06004005	TENDITORE SUPERIORE CATENA		pz	1
13	06005005	BUSH		pz	1
14	06006005	WASHER PLATE		pz	2
15	06007005	BUSH		pz	1
16	06933005	VITE 8X40 (TF 24) TE10 FLANGIA 14.5		pz	1
17	06009005	TENSIONER		pz	1
18	06010005	BEARING		pz	1
19	06011005	BUSH		pz	1
20	06012005	BOLT FLANGE (SMALL HEAD)		pz	1
21	06013005	DADO AUTOBLOCCANTE		pz	1
22	06014005	WASHER PLATE		pz	1
23	08058005	BOLT FLANGE		pz	1
24	06016005	DADO FLANGIATO		pz	1
25	06017005	RONDELLA 21.6X1.6		pz	1
26	08059005	BRACKET REAR UPPER 1		pz	2
27	08060005	BOLT FLANGE		pz	2
28	06020005	NUT		pz	2
29	06021005	WASHER PLATE		pz	4
30	08061005	BOLT FLANGE		pz	1
31	06016005	DADO FLANGIATO		pz	1
32	06017005	RONDELLA 21.6X1.6		pz	1
33	08062005	BOLT FLANGE		pz	1
34	06016005	DADO FLANGIATO		pz	1
35	06338005	FOOTREST 1		pz	1
36	06339005	FOOTREST 2		pz	1
37	06340005	SPRING TORSION		pz	1
38	06341005	SPRING TORSION		pz	1
39	06342005	PIN CLEVIS		pz	2
40	06343005	WASHER PLATE		pz	2

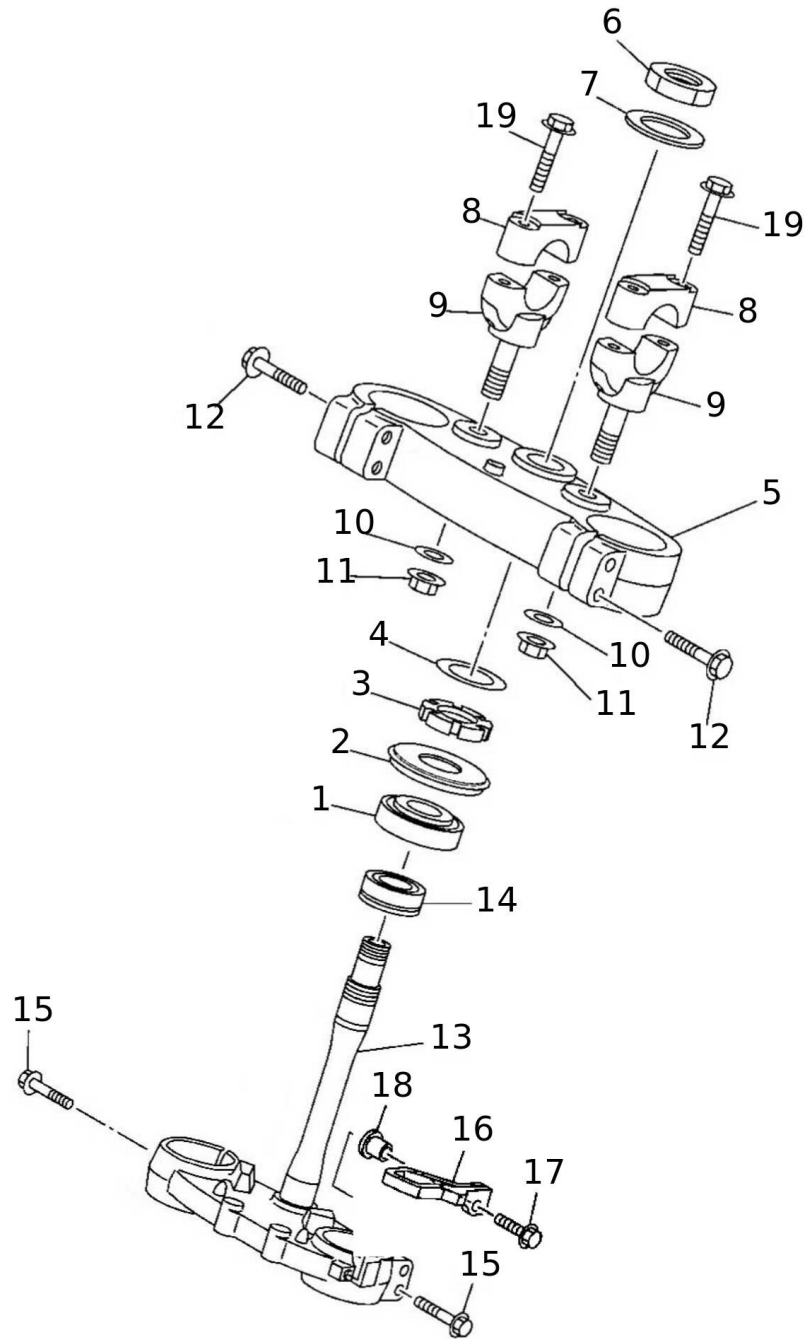
#	Code	Description	Specification	UM	Qty
41	06344005	PIN COTTER		pz	2
42	06025005	NUT		pz	2
43	06017005	RONDELLA 21.6X1.6		pz	1



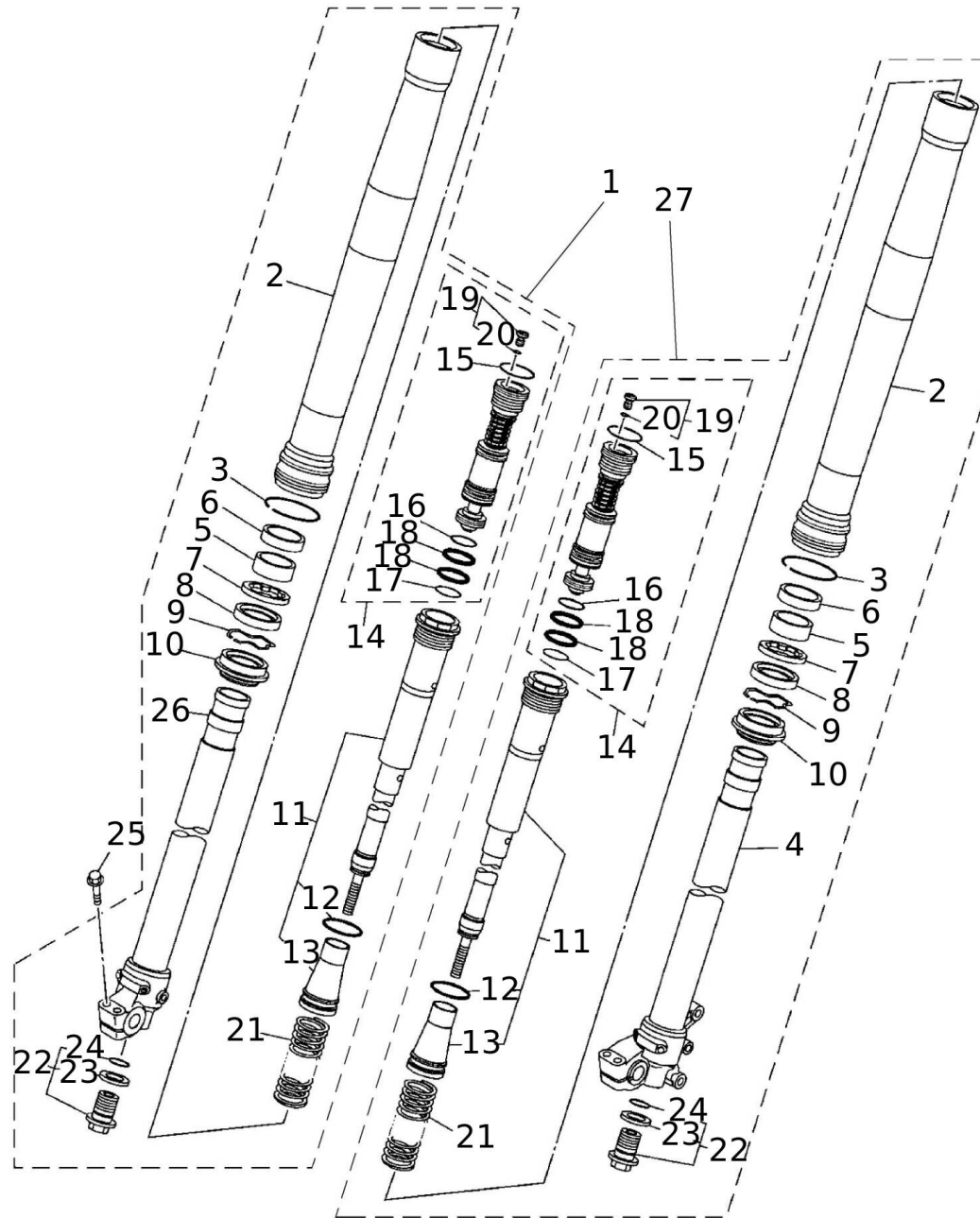
#	Code	Description	Specification	UM	Qty
1	06031005	REAR ARM COMP.		pz	1
2	06032005	SCREW COUNTERSUNK		pz	4
3	08064005	PATCH		pz	2
4	06034005	BEARING		pz	4
5	06035005	BEARING		pz	2
6	06036005	OIL SEAL		pz	2
7	06037005	OIL SEAL		pz	2
8	08065005	BUSH		pz	2
9	06039005	BUSH		pz	2
10	06040005	SEAL GUARD		pz	1
11	06041005	SCREW		pz	4
12	06042005	SUPPORT CHAIN		pz	1
13	06043005	COPERTURA SUPPORTO CATENA		pz	1
14	06044005	BOLT FLANGE		pz	2
15	06045005	NUT		pz	2
16	06046005	BOLT FLANGE		pz	1
17	06047005	PERNO FORCELLONE		pz	1
18	06048005	DADO AUTOBLOCCANTE		pz	1
19	06049005	WASHER PLATE		pz	1
20	06050005	ARM RELAY		pz	1
21	06051005	BEARING		pz	4
22	06052005	OIL SEAL		pz	4
23	06053005	BUSH		pz	2
24	06054005	WASHER PLATE		pz	4
25	06055005	WASHER PLATE		pz	4
26	06056005	ROD CONNECTING 1		pz	1
27	06051005	BEARING		pz	2
28	06058005	OIL SEAL		pz	2
29	06059005	BUSH		pz	1
30	06060005	PERNO 1		pz	1
31	06061005	PERNO 2		pz	2
32	06062005	WASHER PLATE		pz	3
33	06063005	DADO AUTOBLOCCANTE		pz	3
34	06064005	COVER		pz	1
35	06065005	COVER 2		pz	1



#	Code	Description	Specification	UM	Qty
1	08066005	AMMORTIZZATORE POSTERIORE		pz	1
2	08067005	DAMPER SUB ASSY		pz	1
3	06069005	CAP AIR VALVE		pz	1
4	06070005	UNIBALL AMMORTIZZATORE		pz	1
5	06071005	CIRCLIP		pz	1
6	06072005	GUIDE SPRING		pz	1
7	06073005	SEAT SPRING UPPER		pz	1
8	06089005	DADO M10 AUTOBLOCCANTE FLANGIATO		pz	1
9	06075005	REAR SHOCK SPRING (K=46N/MM)	ACCESSORY	pz	1
9	06401005	REAR SHOCK SPRING (K=42N/MM)	ACCESSORY	pz	1
9	06402005	REAR SHOCK SPRING (K=44N/MM)	ACCESSORY	pz	1
9	06403005	REAR SHOCK SPRING (K=48N/MM)	STD	pz	1
9	06404005	REAR SHOCK SPRING (K=50N/MM)	ACCESSORY	pz	1
9	06405005	REAR SHOCK SPRING (K=52N/MM)	ACCESSORY	pz	1
9	06406005	REAR SHOCK SPRING (K=54N/MM)	ACCESSORY	pz	1
9	06407005	REAR SHOCK SPRING (K=56N/MM)	ACCESSORY	pz	1
9	06408005	SPRING (K=APPROX.44N/MM)	ACCESSORY	pz	1
9	06409005	SPRING (K=APPROX.46N/MM)	ACCESSORY	pz	1
9	06410005	SPRING (K=APPROX.48N/MM)	ACCESSORY	pz	1
9	06411005	SPRING (K=APPROX.50N/MM)	ACCESSORY	pz	1
9	06412005	SPRING (K=APPROX.52N/MM)	ACCESSORY	pz	1
9	06413005	SPRING (K=APPROX.54N/MM)	ACCESSORY	pz	1
9	06414005	SPRING (K=APPROX.56N/MM)	ACCESSORY	pz	1
10	06076005	GUIDA MOLLA INFERIORE		pz	1
11	06077005	GUIDA MOLLA SUPERIORE		pz	1
12	06078005	BOCCOLA DISTANZIALE		pz	2
13	08256005	OIL SEAL		pz	2
14	06080005	ANELLO DI GUARNIZIONE		pz	2
15	06081005	BEARING		pz	1
16	06082005	BEARING		pz	1
17	06083005	BOCCOLA DISTANZIALE		pz	2
18	06084005	PARAPOLVERE		pz	2
19	06085005	VITE M10X66 (T.F. 16) TESTA SPECIALE		pz	1
20	06086005	DADO M10 AUTOBLOCCANTE FLANGIATO		pz	1
21	06017005	RONDELLA 21.6X1.6		pz	1
22	06088005	VITE M10X45 (T.F. 10) TESTA SPECIALE		pz	1

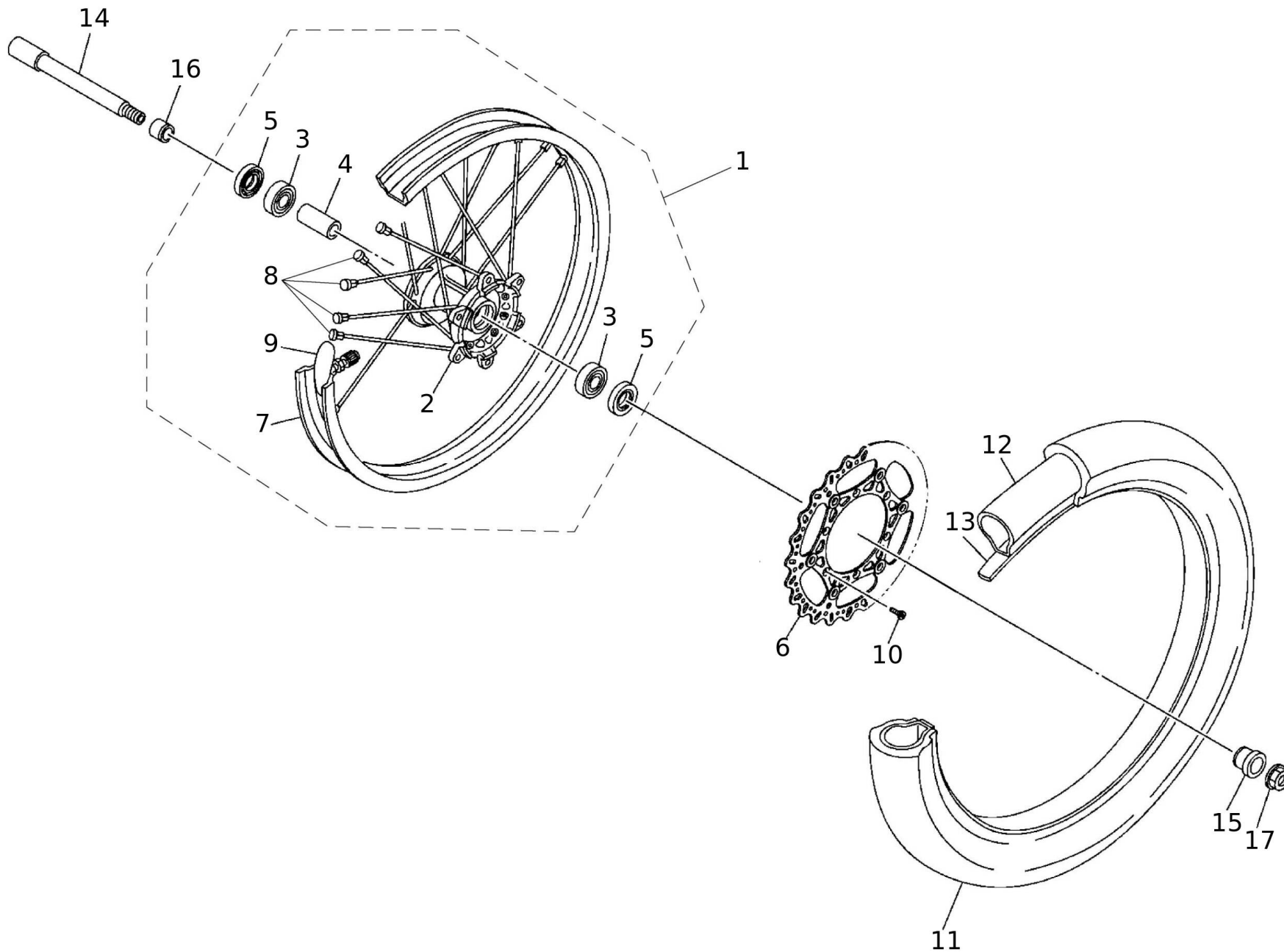


#	Code	Description	Specification	UM	Qty
1	06093005	CUSCINETTO SUP. DI STERZO XX/XE		pz	1
2	06094005	COPERCHIO PISTA CUSCINETTO		pz	1
3	06095005	NUT		pz	1
4	06096005	WASHER PLATE (T1.0)		pz	1
5	06097005	PIASTRA DI STERZO SUPERIORE		pz	1
6	06098005	NUT		pz	1
7	06099005	WASHER PLATE		pz	1
8	06100005	SUPPORTO SUPERIORE MANUBRIO		pz	2
9	06101005	SUPPORTO INFERIORE MANUBRIO		pz	2
10	06102005	WASHER PLATE		pz	2
11	06103005	NUT SELF-LOCKING		pz	2
12	06104005	BOLT FLANGE		pz	4
13	08072005	UNDER BRACKET COMP.		pz	1
14	06154005	BEARING		pz	1
15	07007005	VITE 8X35 TE10 FLANGIA 14.5		pz	4
16	07520005	GUIDA CAVO		pz	1
17	06749005	VITE 6X16 TE8 FLANGIA 10.5		pz	1
18	06158005	BUSH		pz	1
19	06812005	BOLT FLANGE DEEP RECESS		pz	4

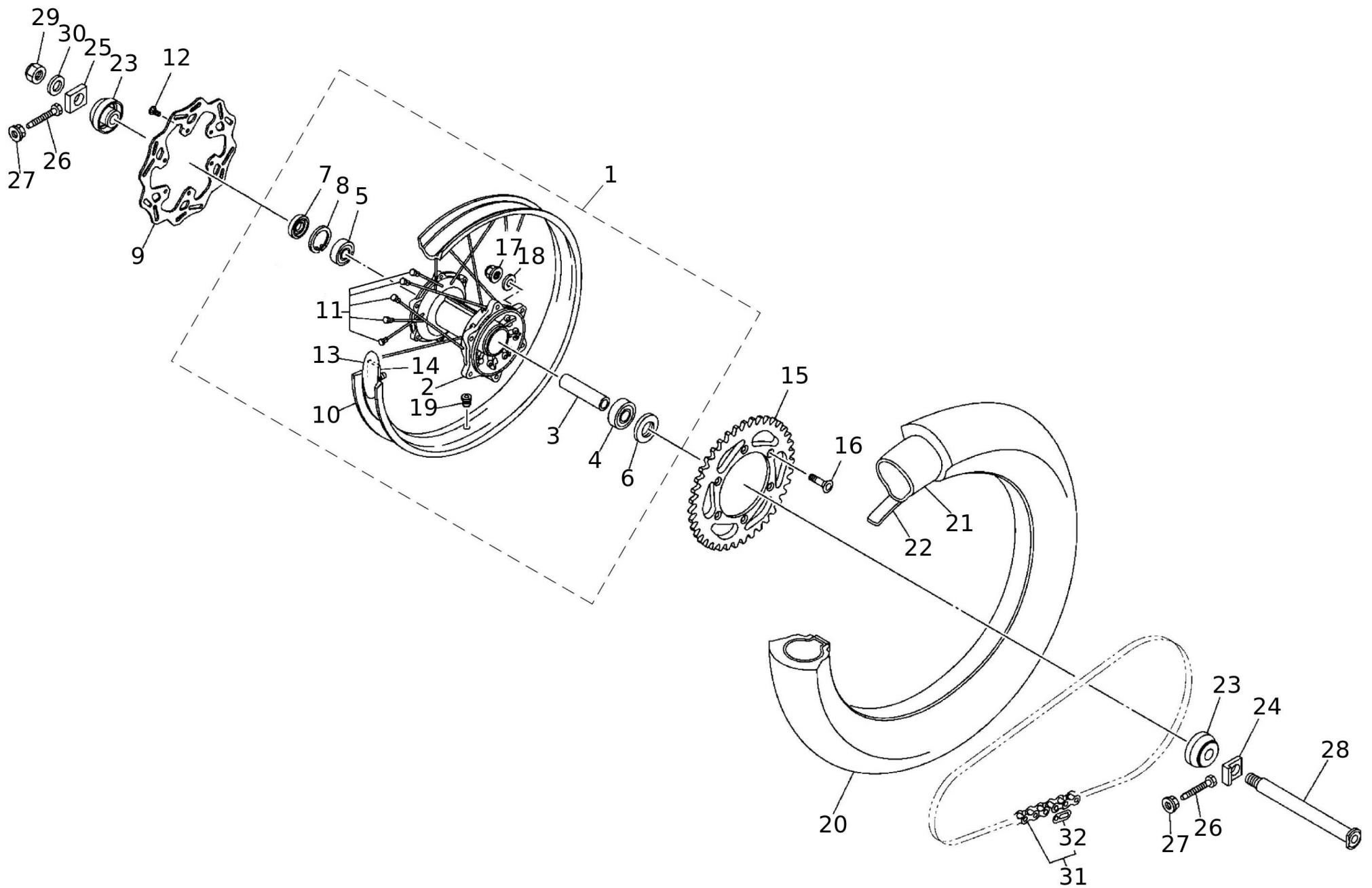


Fork

#	Code	Description	Specification	UM	Qty
1	08071005	FRONT FORK ASSY (R.H)		pz	1
2	06106005	FODERO FORCELLA		pz	2
3	06107005	CIRCLIP		pz	2
4	06108005	STELO SINISTRO		pz	1
5	06109005	DISTANZIALE FORCELLA ANTERIORE		pz	2
6	06110005	BOCCOLA DI SCORRIMENTO		pz	2
7	06111005	RONDELLA PARAOLIO		pz	2
8	06112005	OIL SEAL		pz	2
9	06113005	ANELLO DI ARRESTO		pz	2
10	06114005	PARAPOLVERE AMMORTIZZATORE		pz	2
11	08069005	GRUPPO POMPANTE FORCELLA ANTERIORE		pz	2
12	06116005	O-RING		pz	2
13	06117005	SEDE SUPERIORE MOLLA		pz	2
14	06118005	GRUPPO VALVOLA BASE		pz	2
15	06119005	O-RING		pz	2
16	06120005	O-RING		pz	2
17	06121005	O-RING		pz	2
18	06122005	O-RING		pz	4
19	06123005	AIR VALVE COMP.		pz	2
20	06124005	O-RING		pz	2
21	06415005	SPRING FRONT FORK (K=3.9N/MM)		pz	2
21	06416005	SPRING FRONT FORK (K=4.0N/MM)		pz	2
21	06417005	SPRING FRONT FORK (K=4.1N/MM)		pz	2
21	06418005	SPRING FRONT FORK (K=4.2N/MM)		pz	2
21	06419005	SPRING FRONT FORK (K=4.3N/MM)		pz	2
21	06420005	SPRING FRONT FORK (K=4.4N/MM)		pz	2
21	06421005	SPRING FRONT FORK (K=4.5N/MM)		pz	2
21	06422005	SPRING FRONT FORK (K=4.6N/MM)		pz	2
21	06423005	SPRING FRONT FORK (K=4.7N/MM)		pz	2
22	06126005	ADJUST SCREW SET		pz	2
23	06127005	GUARNIZIONE		pz	2
24	06128005	GUARNIZIONE		pz	2
25	07007005	VITE 8X35 TE10 FLANGIA 14.5		pz	4
26	06132005	STELO DESTRO		pz	1
27	08068005	FRONT FORK ASSY (L.H)		pz	1

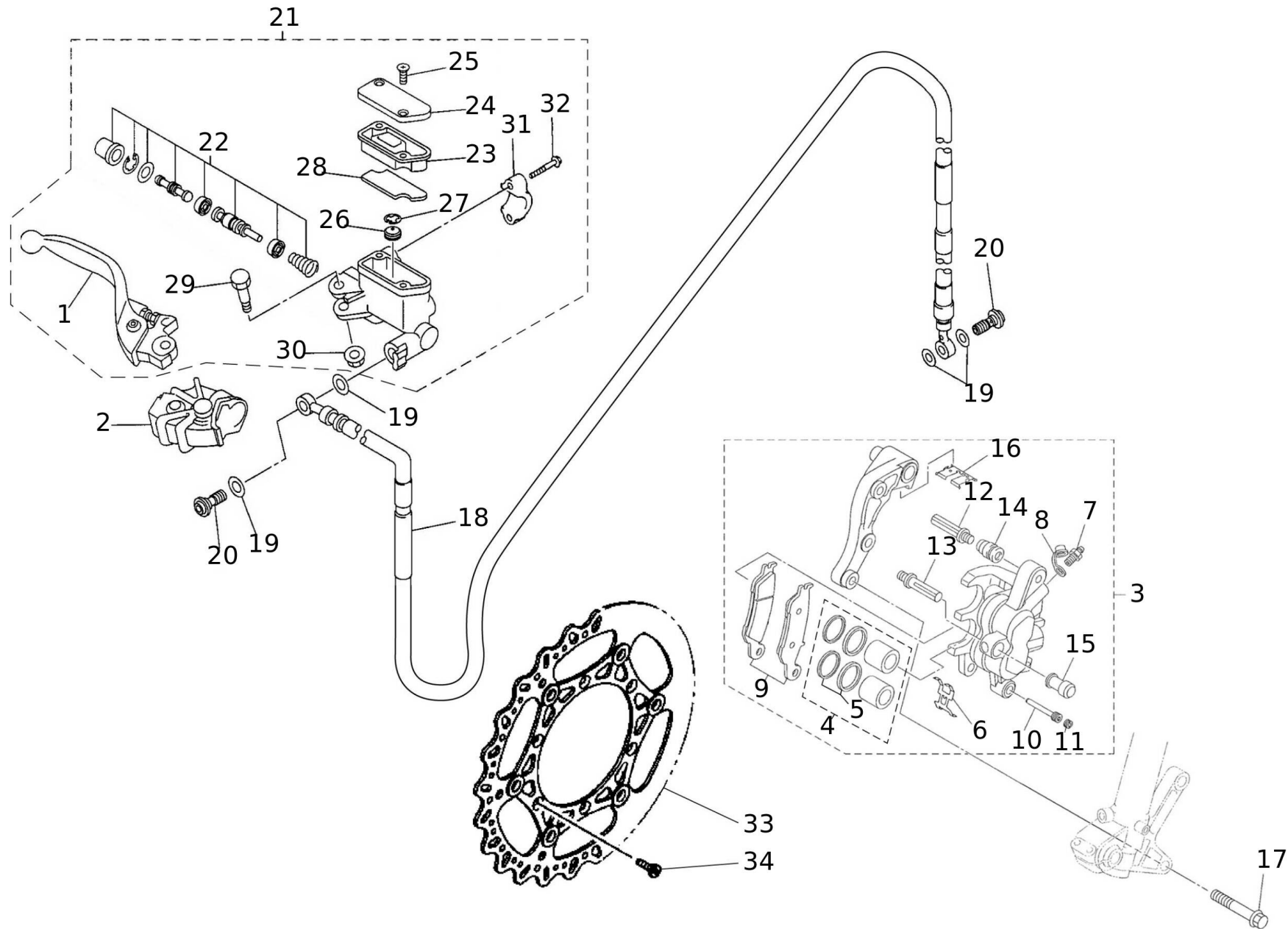


#	Code	Description	Specification	UM	Qty
1	09062020	FR. RIM XX 125 ASSY		pz	1
2	06196005	MOZZO ANTERIORE		pz	1
3	06197005	BEARING		pz	2
4	06198005	DISTANZIALE CUSCINETTI		pz	1
5	06199005	OIL SEAL		pz	2
6	07547005	GRUPPO DISCO FRENO		pz	1
7	08548005	CERCHIO (1.60-21) NERO		pz	1
8	06201005	SPOKE SET FRONT		pz	1
9	06205005	FERMACOPERTONE		pz	1
10	06212005	VITE M6X8.5 SVASATA ESAGONO INCASSATO		pz	6
11	08438005	PNEUMATICO 80/100-21 MX32 MID SOFT		pz	1
12	00234005	CAMERA ARIA 21" ANTERIORE CASA		pz	1
13	07531005	FLAP COPRI NIPPLESS R21 1430 X 22		pz	1
14	06206005	PERNO RUOTA ANTERIORE		pz	1
15	06207005	COLLAR, WHEEL		pz	1
16	06208005	COLLAR, WHEEL		pz	1
17	06209005	NUT		pz	1

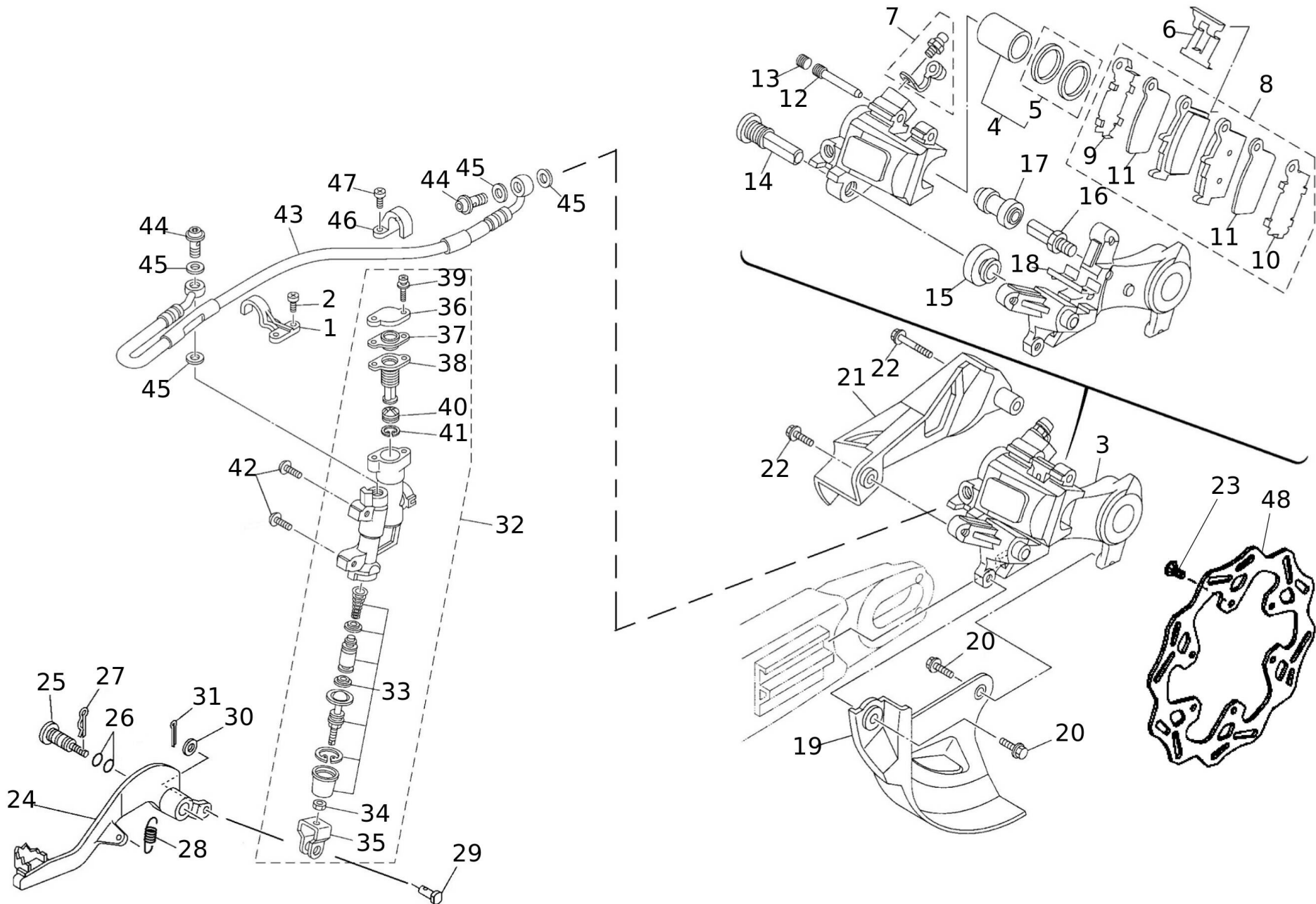


Rear wheel

#	Code	Description	Specification	UM	Qty
1	09063020	RR. RIM XX 125 ASSY		pz	1
2	06228005	MOZZO POSTERIORE		pz	1
3	06229005	DISTANZIALE CUSCINETTI		pz	1
4	06230005	BEARING		pz	1
5	06231005	BEARING		pz	1
6	06232005	OIL SEAL		pz	1
7	06233005	OIL SEAL		pz	1
8	06234005	CIRCLIP		pz	1
9	07548005	DISK REAR BRAKE 2		pz	1
10	08549005	CERCHIO (2.15-19) NERO		pz	1
11	06236005	SET RAGGI POSTERIORE 19"		pz	1
12	06212005	VITE M6X8.5 SVASATA ESAGONO INCASSATO		pz	6
13	08355005	TIRE STOPPER		pz	1
14	06241005	SMORZATORE		pz	1
15	06242005	SPROCKET DRIVEN (48T)	ACCESSORY	pz	1
15	06243005	SPROCKET DRIVEN (47T)	ACCESSORY	pz	1
15	06247005	SPROCKET DRIVEN (52T)	ACCESSORY	pz	1
15	08468001	CORONA POST 51D MY22	ACCESSORY	pz	1
15	08696005	CORONA POST Z 50 MY22	STD	pz	1
15	08697005	CORONA POST 49D MY22	ACCESSORY	pz	1
16	06248005	VITE M8X24 (T.F. 15) SVASATA BOMBATA EI		pz	6
17	06249005	DADO M8 AUTOBLOCCANTE		pz	6
18	06014005	WASHER PLATE		pz	6
19	06973005	GROMMET		pz	1
20	08440005	PNEUMATICO 110/90-19 MX32 MID SOFT		pz	1
21	08453005	CAMERA ARIA 110/90-19 130/70-19		pz	1
22	07529005	FLAP R19 1370 X 25		pz	1
23	06252005	COLLAR ASSY		pz	2
24	06253005	PULLER, CHAIN 1		pz	1
25	06254005	PULLER CHAIN 2		pz	1
26	06255005	BOLT		pz	2
27	05627005	NUT		pz	2
28	06257005	PERNO RUOTA POSTERIORE		pz	1
29	06258005	DADO AUTOBLOCCANTE		pz	1
30	06259005	RONDELLA PERNO RUOTA POSTERIORE		pz	1
31	07556005	CATENA DID520DMA4 L114		pz	1
32	06261005	JOINT CHAIN(DID520DM G&B-RJ)		pz	1

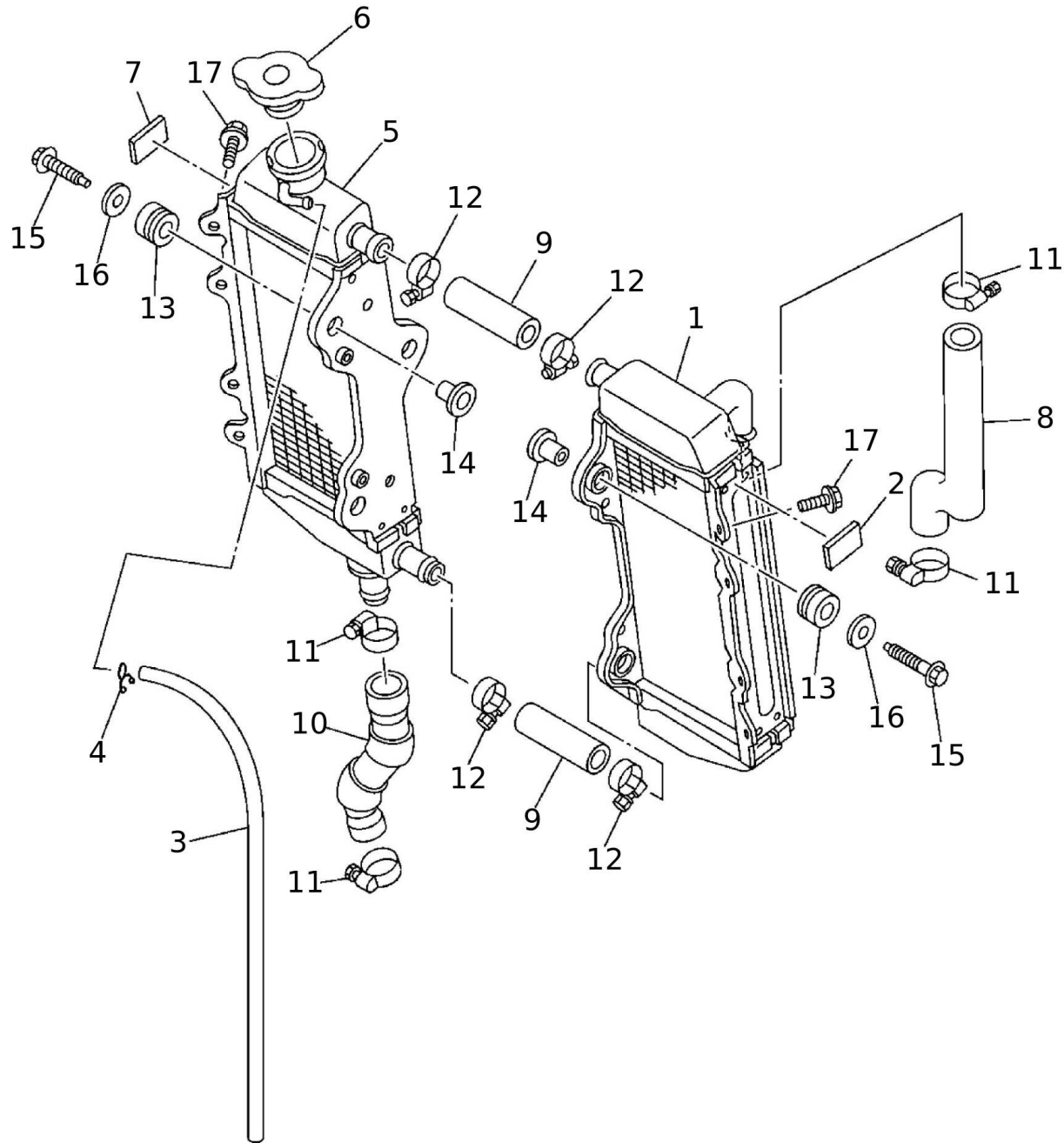


#	Code	Description	Specification	UM	Qty
1	08740005	LEVA FRENO ANT.		pz	1
2	06328005	COVER HANDLE LEVER 1		pz	1
3	08428005	ASSIEME PINZA FRENO ANT		pz	1
4	08426001	GRUPPO PISTONCINO		pz	1
5	08460001	KIT GUARNIZIONI PINZA		pz	1
6	08462001	SUPPORTO PASTIGLIA		pz	1
7	06217005	VITE SPURGO		pz	1
8	06276005	BLEED SCREW KIT		pz	1
9	08739005	PASTIGLIE FRENO ANT		pz	1
10	06220005	PERNO PASTIGLIA		pz	1
11	06221005	TAPPO DEL PERNO PASTIGLIA		pz	1
12	06222005	SCREW		pz	1
13	06223005	PERNO		pz	1
14	06224005	BOOT CALIPER		pz	1
15	06225005	BOOT 2		pz	1
16	06226005	MOLLA PASTIGLIE		pz	1
17	06227005	VITE M8X36 (T.F. 18) TE FLANGIATA		pz	2
18	06312005	TUBO FRENO 1		pz	1
19	06313005	GUARNIZIONE		pz	4
20	06314005	BOLT UNION		pz	2
21	09075020	FR. MASTER CYLINDER ASSY XX MY22		pz	1
22	06316005	KIT POMPA FRENO		pz	1
23	06317005	DIAFRAMMA SERBATOIO		pz	1
24	06318005	COPERCHIO POMPA FRENO		pz	1
25	06329005	VITE A TESTA PIATTA		pz	2
26	06320005	GRUPPO SEPARATORE		pz	1
27	06321005	CIRCLIP		pz	1
28	06322005	GALLEGGIANTE SERBATOIO		pz	1
29	06324005	BOLT LEVER		pz	1
30	06325005	NUT WITH WASHER		pz	1
31	06326005	BRACKET MASTER CYLINDER		pz	1
32	06327005	BOLT FITTING		pz	2
33	07547005	GRUPPO DISCO FRENO		pz	1
34	06212005	VITE M6X8.5 SVASATA ESAGONO INCASSATO		pz	6

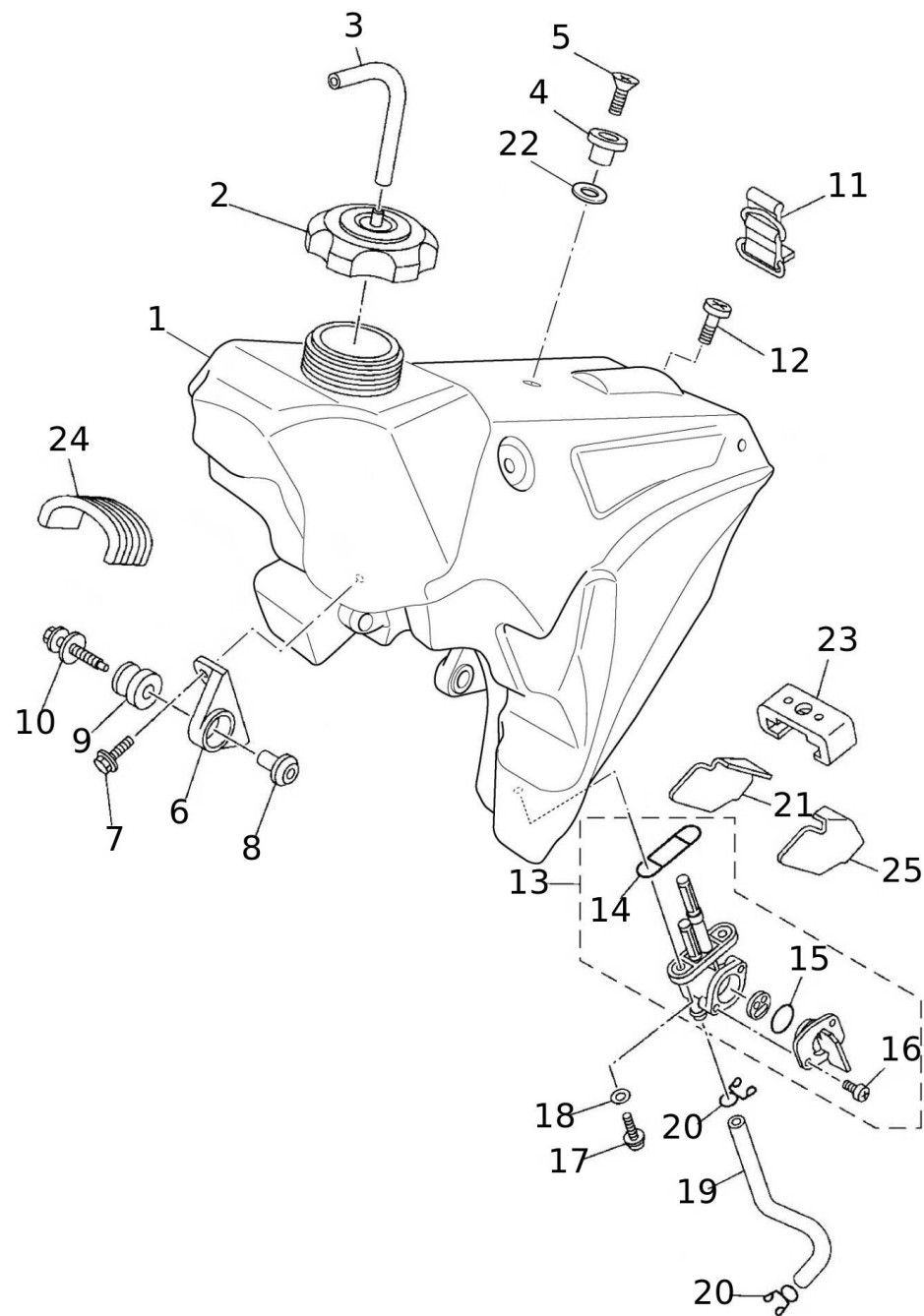


#	Code	Description	Specification	UM	Qty
1	06370005	SUPPORTO TUBO FRENO 2		pz	1
2	06369005	VITE M5X10 INTAGLIO A CROCE		pz	2
3	08658005	PINZA FRENO POSTERIORE		pz	1
4	06273005	GRUPPO PISTONCINO PINZA		pz	1
5	06274005	KIT GUARNIZIONI PINZA		pz	1
6	06275005	MOLLA PASTIGLIE		pz	1
7	06276005	BLEED SCREW KIT		pz	1
8	08076005	.BRAKE PAD KIT 2		pz	1
9	06278005	SPESSORE DI REGOLAZIONE		pz	1
10	06279005	SPESSORE DI REGOLAZIONE		pz	1
11	06280005	ISOLATORE TERMICO		pz	2
12	06281005	PERNO PASTIGLIA		pz	1
13	06221005	TAPPO DEL PERNO PASTIGLIA		pz	1
14	06283005	PERNO		pz	1
15	06224005	BOOT CALIPER		pz	1
16	06285005	PERNO		pz	1
17	06225005	BOOT 2		pz	1
18	06287005	FERMO		pz	1
19	06288005	PROTEZIONE DISCO FRENO		pz	1
20	06722005	VITE 6X12 TE8 FLANGIA 10.5		pz	2
21	07543005	PROTEZIONE PINZA		pz	1
22	06726005	BOLT FLANGE DEEP RECESS		pz	2
23	06248005	VITE M8X24 (T.F. 15) SVASATA BOMBATA EI		pz	6
24	06330005	PEDAL BRAKE		pz	1
25	06331005	BOLT		pz	1
26	06332005	O-RING		pz	2
27	06333005	CIRCLIP		pz	1
28	06334005	SPRING TENSION		pz	1
29	06335005	PIN CLEVIS		pz	1
30	06336005	WASHER PLATE		pz	1
31	06337005	PIN COTTER		pz	1
32	06354005	GRUPPO POMPA FRENO POSTERIORE		pz	1
33	06355005	KIT POMPA FRENO		pz	1
34	06356005	DADO		pz	1
35	06357005	GIUNTO		pz	1
36	06358005	COPERCHIO POMPA FRENO		pz	1
37	06359005	PIASTRINA DIAFRAMMA		pz	1
38	06360005	DIAFRAMMA SERBATOIO		pz	1
39	06361005	VITE M4X16 (T.F. 9) TE CROCE, RONDELLA		pz	2
40	06320005	GRUPPO SEPARATORE		pz	1

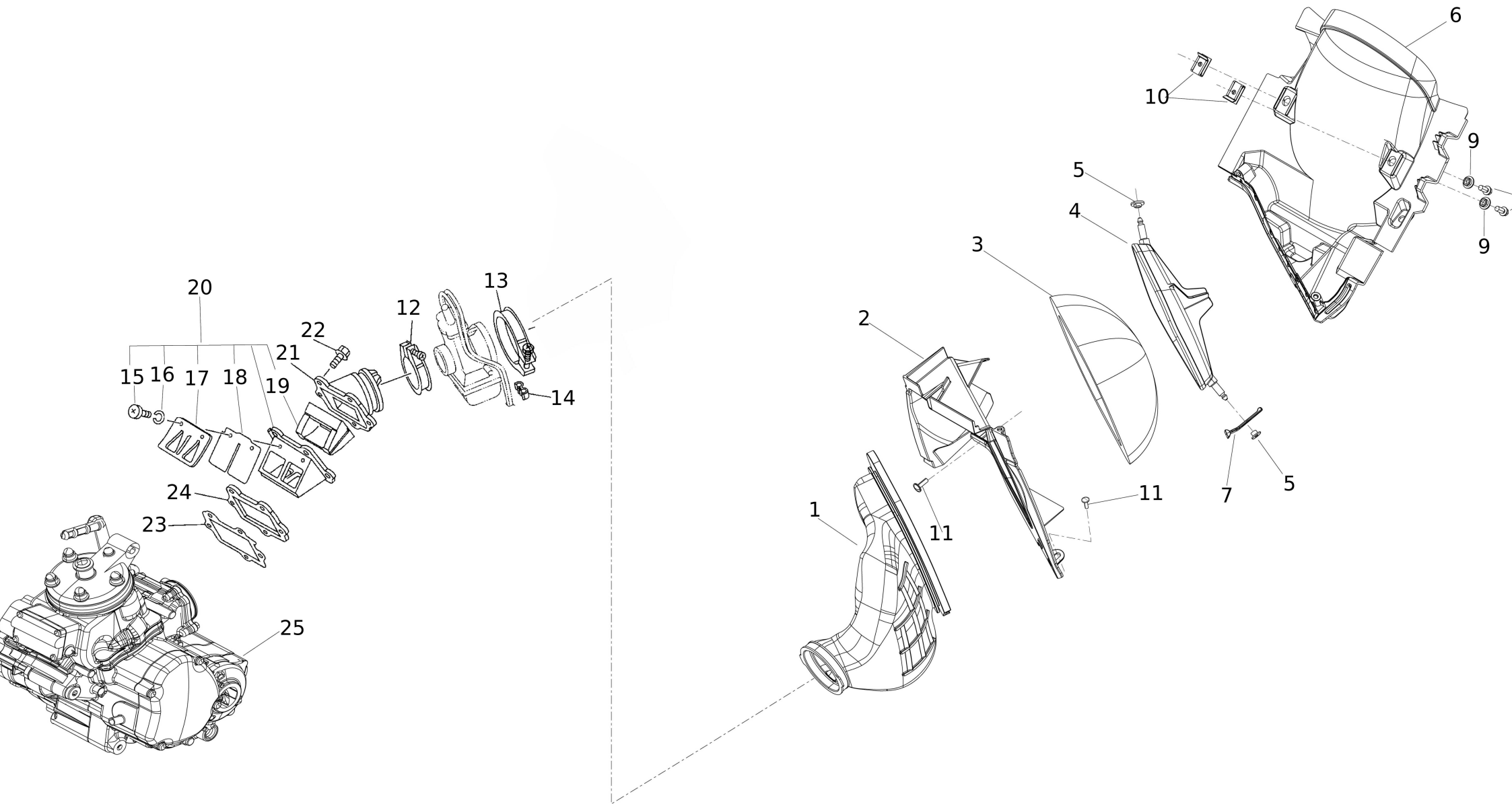
#	Code	Description	Specification	UM	Qty
41	06321005	CIRCLIP		pz	1
42	07091005	BOLT,HEX. SOCKET BUTTON		pz	2
43	07544005	TUBO FRENO 2		pz	1
44	06314005	BOLT UNION		pz	2
45	06313005	GUARNIZIONE		pz	4
46	06368005	SUPPORTO TUBO FRENO		pz	1
47	06369005	VITE M5X10 INTAGLIO A CROCE		pz	2
48	07548005	DISK REAR BRAKE 2		pz	1



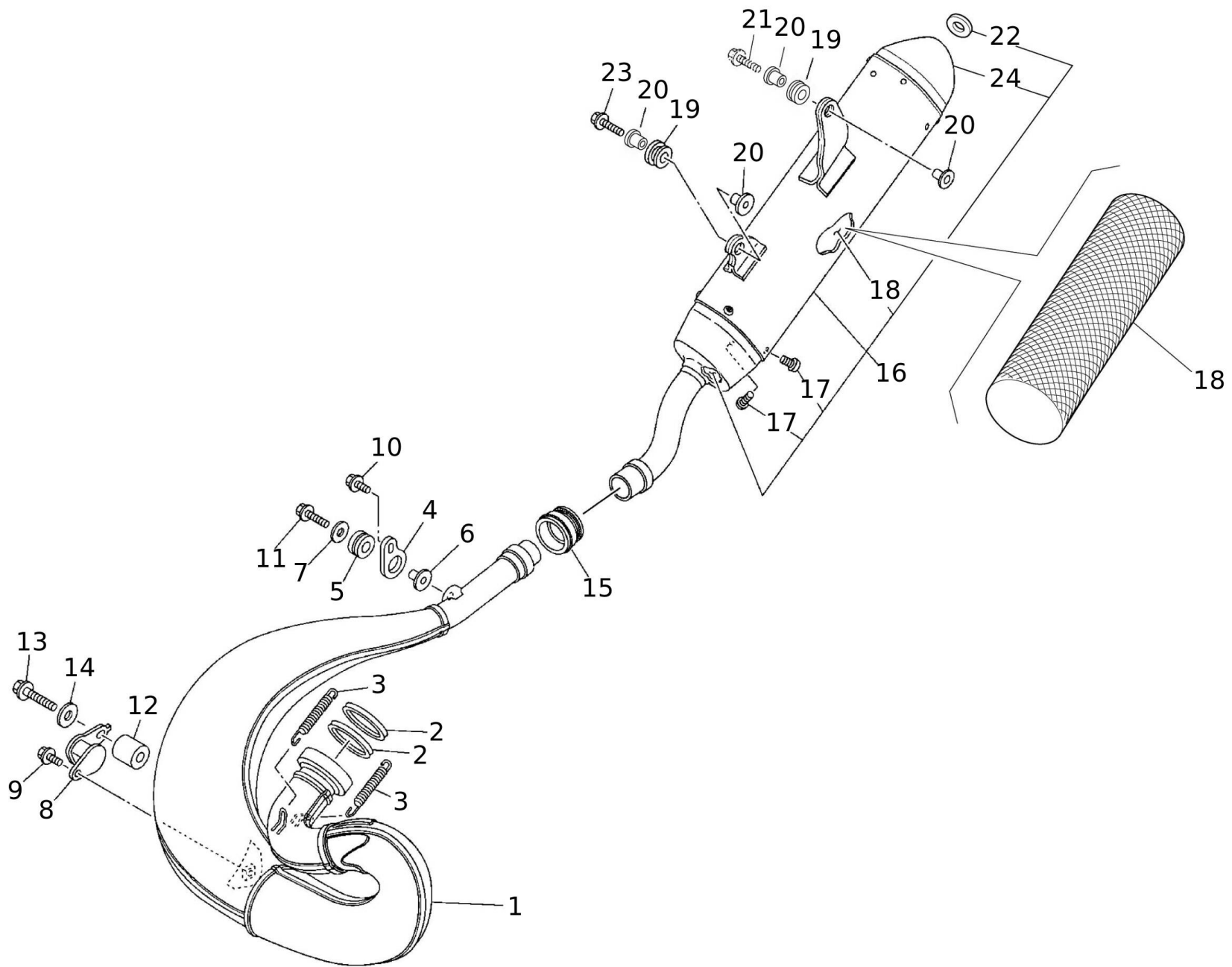
#	Code	Description	Specification	UM	Qty
1	07841005	RADIATOR ASSY		pz	1
2	05712005	GOMMINO RADIATORE		pz	1
3	05713005	TUBO FLESSIBILE VINILE		pz	1
4	05714005	CLIP		pz	1
5	07842005	RADIATOR COMP		pz	1
6	05716005	TAPPO RADIATORE		pz	1
7	05712005	GOMMINO RADIATORE		pz	1
8	07843005	PIPE 1		pz	1
9	07844005	PIPE 2		pz	2
10	07845005	PIPE 4		pz	1
11	05722005	HOSE CLAMP ASSY		pz	4
12	05724005	HOSE CLAMP ASSY		pz	4
13	05725005	GROMMET		pz	6
14	05726005	BUSH		pz	6
15	05727005	VITE M6X30 TE FLANGIATA		pz	6
16	05728005	WASHER PLATE		pz	6
17	05729005	BOLT FLANGE		pz	2



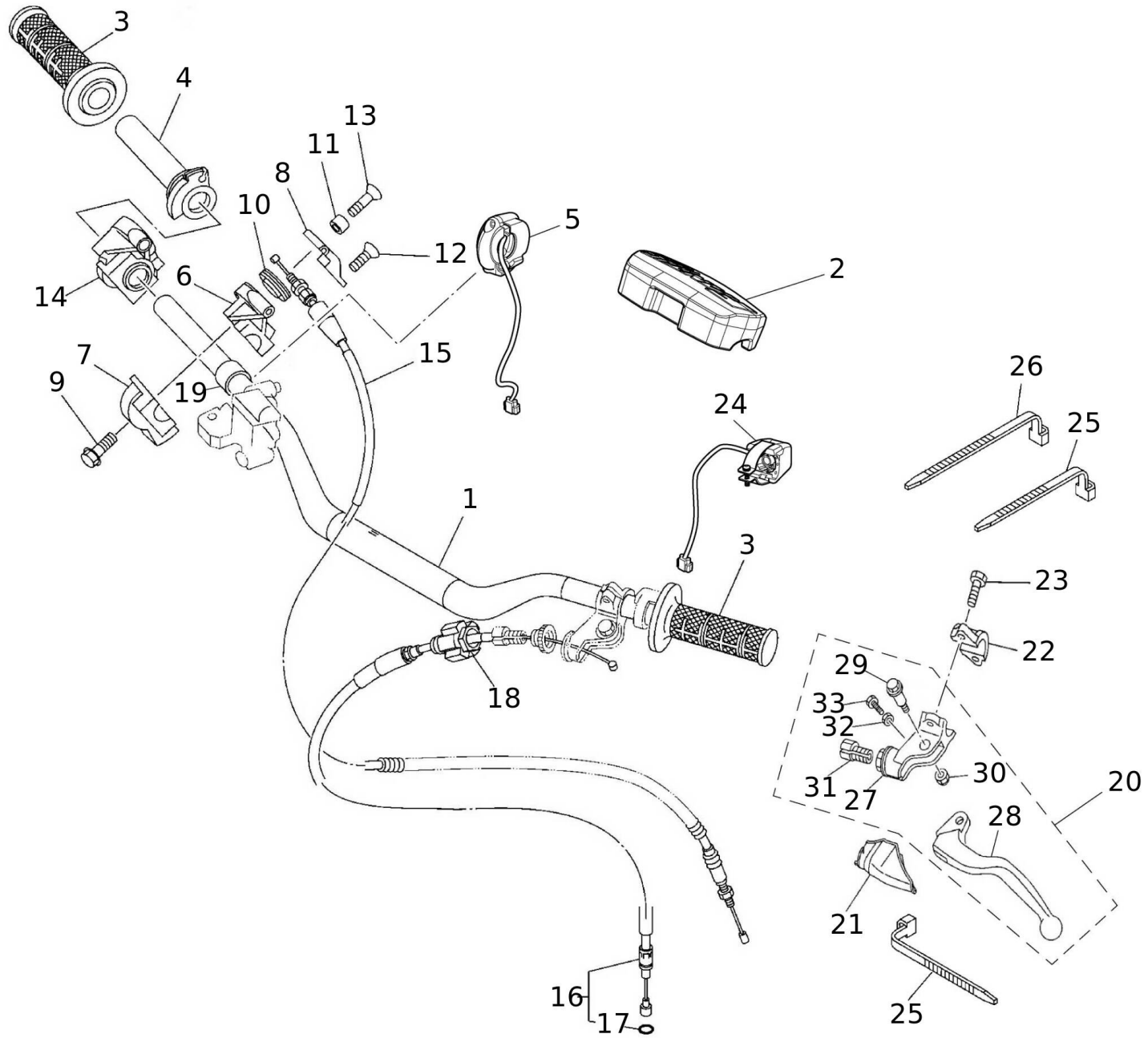
#	Code	Description	Specification	UM	Qty
1	07535005	FUEL TANK XX 2T		pz	1
2	06606005	FUEL TANK CAP XX/XE		pz	1
3	06170005	PIPE		pz	1
4	06186005	FISSAGGIO ANTERIORE SELLA		pz	1
5	06187005	SCREW FLAT HEAD		pz	1
6	06171005	HOLDER DAMPER		pz	2
7	06157005	BOLT FLANGE		pz	4
8	06173005	WASHER SPECIAL		pz	2
9	06174005	GROMMET		pz	2
10	06175005	BOLT		pz	2
11	06176005	BAND TANK FITTING 1		pz	1
12	08396005	SCREW		pz	1
13	06178005	FUEL COCK ASSY 1		pz	1
14	06179005	GUARNIZIONE		pz	1
15	06180005	SEAL COCK		pz	1
16	06181005	SCREW PAN HEAD		pz	2
17	06182005	SCREW		pz	2
18	06183005	WASHER PLATE		pz	2
19	07412005	HOSE GREY COPOLAN UML 7 x 12		cm	1
20	07533005	Double wire hose clamp		pz	2
21	06192005	DAMPER LOCATING 4		pz	1
22	00807005	WASHER 6X12		pz	1
23	06188005	DAMPER LOCATING 1		pz	1
24	06189005	DAMPER LOCATING 2		pz	1
25	06191005	DAMPER LOCATING 3		pz	1



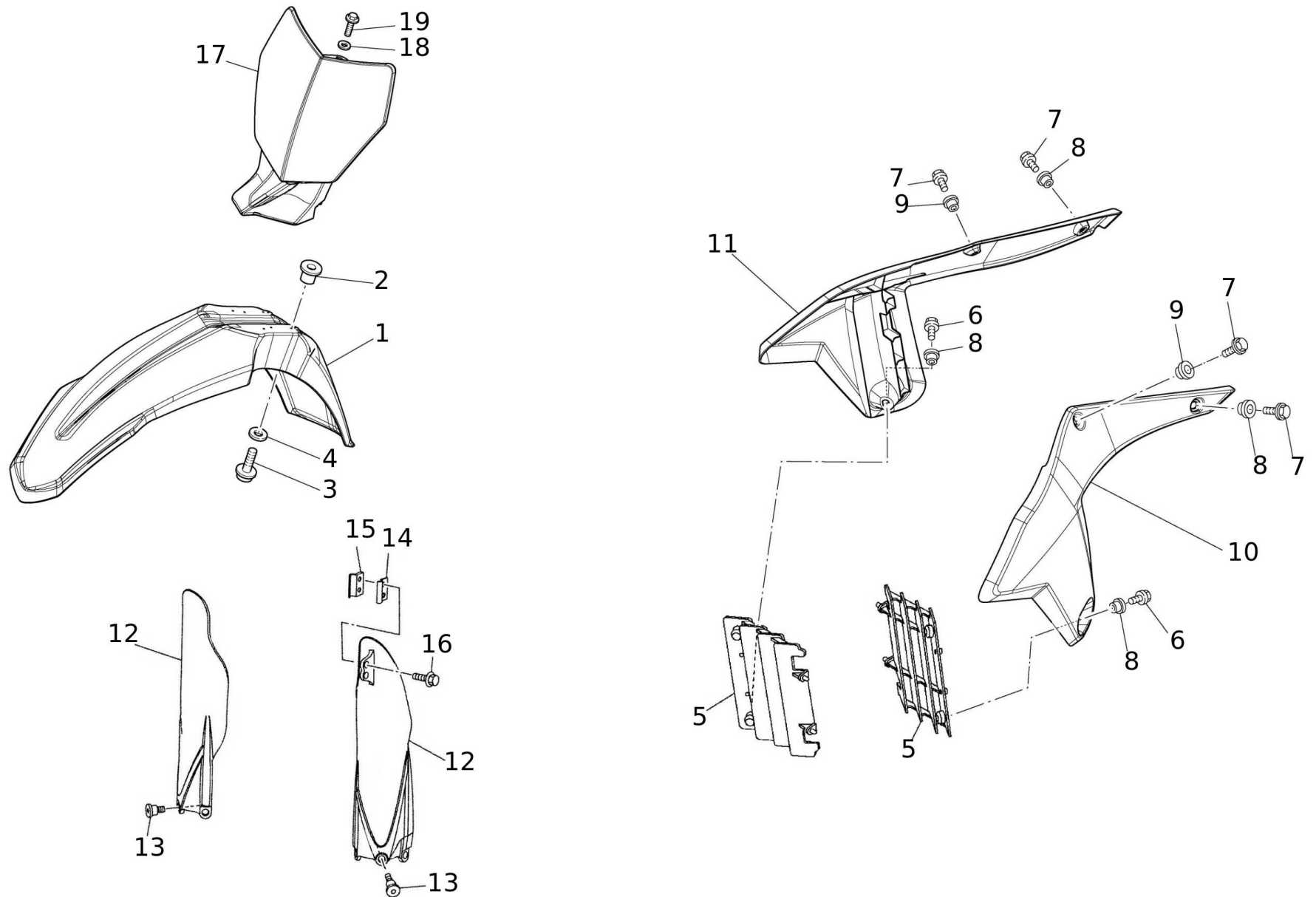
#	Code	Description	Specification	UM	Qty
1	09438005	INTAKE MANIFOLD XX 250		pz	1
2	09446005	AIRBOX FRONT, XX/XE MY23		pz	1
3	09500005	AIR FILTER OFF-ROAD 2T MY23		pz	1
4	09443005	AIR FILTER SUPPORT		pz	1
5	09442005	QUICK RELEASE RUBBER GROMMET		pz	2
6	09447005	AIRBOX REAR, XX/XE MY23		pz	1
7	09455005	AIR FILTER SUPPORT XX/XE MY23		pz	1
8	06573005	BOLT WITH WASHER		pz	2
9	06562005	COLLAR		pz	2
10	00070005	GRAFFETTA METALLICA 6X24		pz	2
11	07458005	SCREW		pz	1
12	07855005	CLAMP		pz	1
13	07856005	CLAMP		pz	1
14	07854005	CLIP		pz	1
15	06181005	SCREW PAN HEAD		pz	6
16	05734005	WASHER PLATE		pz	6
17	07848005	STOPPER REED VALVE		pz	1
18	07847005	REED VALVE		pz	1
19	07849005	SPACER REED VALVE		pz	1
20	07846005	REED VALVE ASSY		pz	1
21	07852005	JOINT CARBURETOR		pz	1
22	07853005	BOLT HEXAGON SOCKET HEAD		pz	5
23	07851005	GASKET VALVE SEAT		pz	1
24	07850005	PLATE, REED VALVE		pz	1
25	08652005	WHOLE ENGINE 250 2T		pz	1



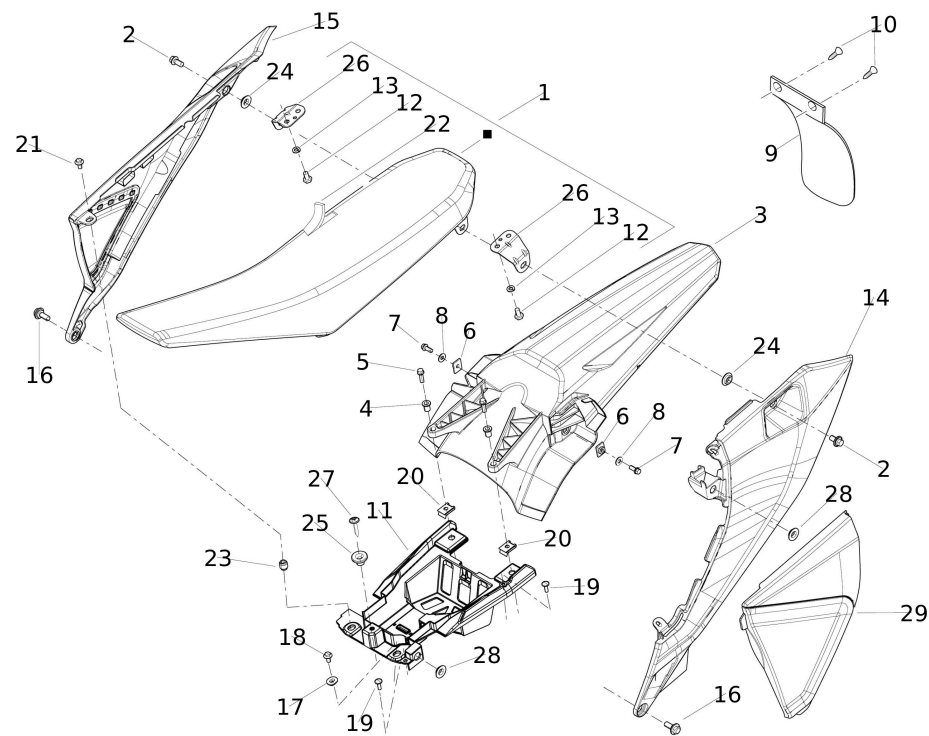
#	Code	Description	Specification	UM	Qty
1	07536005	EXHAUST XX 250 2T		pz	1
2	08654005	SEAL, EXHAUST		pz	2
3	07940005	SPRING TENSION		pz	2
4	05833005	STAY MUFFLER 2		pz	1
5	05834005	GROMMET		pz	1
6	05835005	BUSH		pz	1
7	05838005	WASHER PLATE		pz	1
8	08655005	STAY, MUFFLER 1		pz	1
9	07942005	VITE CON RONDELLA	XXF	pz	1
10	07942005	VITE CON RONDELLA	XXF	pz	1
11	05710005	BOLT FLANGE		pz	1
12	07943005	BUSH		pz	1
13	07944005	BOLT FLANGE		pz	1
14	07945005	WASHER PLATE		pz	1
15	07946005	JOINT EXHAUST 1		pz	1
16	07537005	SILENCER XX 250 2T CROSS		pz	1
17	07465005	SCREWES		pz	4
18	09079005	SOUND ABSORBENT XX250		pz	1
19	05847005	GROMMET		pz	2
20	09429005	COLLAR, SILENCER		pz	4
21	06571005	VITE M6X30 TE FLANGIATA		pz	1
22	07390005	MUFFLER GAS OUTLET GASKET		pz	1
23	06708005	BOLT FLANGE DEEP RECESS		pz	1
24	07409005	CAP SILENCER XE		pz	1



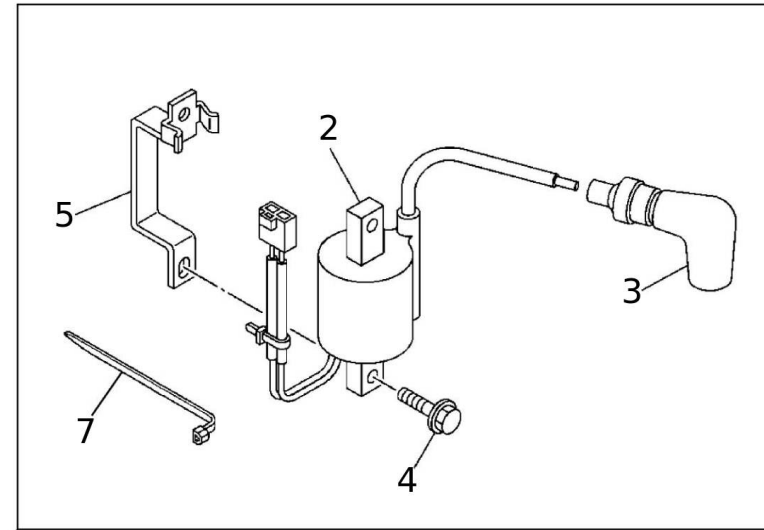
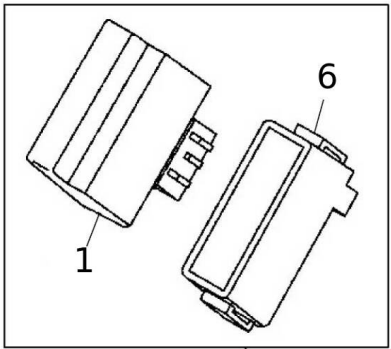
#	Code	Description	Specification	UM	Qty
1	07067005	HANDLEBAR		pz	1
2	07532005	PROTECTOR, HANDLEBAR		pz	1
3	07437005	OFF-ROAD KNOB PAIR		pz	1
4	06295005	GRIP ASSY		pz	1
5	08577005	PULSANTE DOPPIA MAPPATURA OFF-ROAD		pz	1
6	06298005	CALOTTA SUPERIORE DELLA MANOPOLA		pz	1
7	06299005	CALOTTA INFERIORE DELLA MANOPOLA		pz	1
8	06300005	CAP WIRE		pz	1
9	06708005	BOLT FLANGE DEEP RECESS		pz	2
10	06302005	ROTOR		pz	1
11	06303005	BUSH		pz	1
12	06304005	SCREW OVAL HEAD		pz	1
13	06305005	SCREW OVAL HEAD		pz	1
14	06306005	COPERCHIO DELLA CALOTTA		pz	1
15	08077005	WIRE, THROTTLE 1		pz	1
16	08078005	CAVO FRIZIONE		pz	1
17	06309005	O-RING		pz	1
18	06310005	TENSIONATORE CAVO FRIZIONE		pz	1
19	06311005	COLLAR		pz	1
20	08499020	LEVER HOLDER ASSY, 1		pz	1
21	06384005	COPERTURA LEVA 1		pz	1
22	06385005	SUPPORTO INFERIORE LEVA 1		pz	1
23	06726005	BOLT FLANGE DEEP RECESS		pz	2
24	06387005	SWITCH HANDLE 1		pz	1
25	06388005	CLAMP		pz	2
26	06389005	FASCETTA 125X7		pz	1
27	06377005	HOLDER LEVER 1		pz	1
28	08295005	LEVER 1		pz	1
29	06379005	VITE M6X25 (T.F. 11) TE FLANGIATA		pz	1
30	06380005	DADO M6 AUTOBLOCCANTE		pz	1
31	06381005	ADJUST SCREW SET		pz	1
32	06382005	NUT HEXAGON		pz	1
33	06383005	BOLT		pz	1



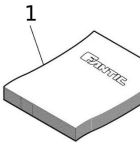
#	Code	Description	Specification	UM	Qty
1	07500005	FRONT FENDER OFF-ROAD WHITE	white	pz	1
1	07504005	MUDGUARD	black	pz	1
2	08641005	BOCCOLA 20X8.5X6.5 ALTEZZA 6.9, CKD		pz	4
3	06598005	BOLT FLANGE		pz	4
4	06599005	WASHER PLATE		pz	4
5	06030005	PANEL 1		pz	2
6	06565005	SCREW WITH WASHER		pz	2
7	06564005	VITE M6X12 TE FLANGIATA		pz	4
8	07455005	BUSHING		pz	4
9	06562005	COLLAR		pz	2
10	07495005	LEFT SPOILER XX/XE	white	pz	1
10	V0218005	CONVOGLIATORE SX XX/XE NERO	black	pz	1
11	07496005	RIGHT SPOILER XX/XE 2T	white	pz	1
11	V0219005	CONVOGLIATORE DX XX/XE NERO	black	pz	1
12	07662005	FORK SLIDER PROTECTORS (PAIR)	white	pz	1
12	V0222005	KIT PARASTELI XX/XE NERI	black	pz	1
13	06161005	BOLT		pz	6
14	06162005	CLAMP		pz	1
15	06163005	CLAMP		pz	1
16	05758005	BOLT FLANGE		pz	2
17	07503005	FRONT PLATE NUMBER OFF-ROAD		pz	1
18	04686005	RONDELLA M6 CON COLLARINO H3		pz	1
19	07433005	VITE 6X10 TE FLANGIATA		pz	1



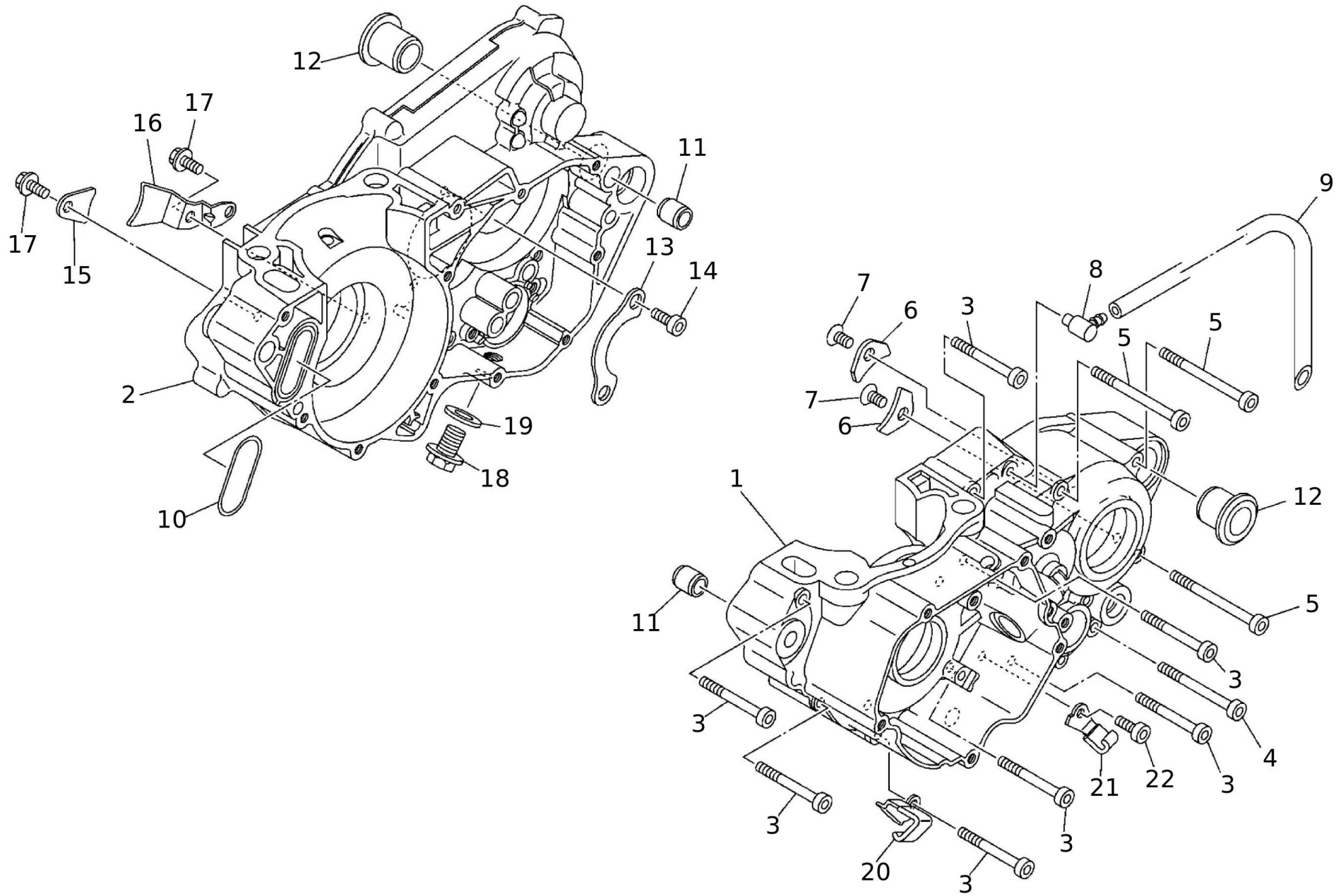
#	Code	Description	Specification	UM	Qty
1	09504005	SEAT W/ BRACKETS XX/XE MY23	white	pz	1
1	V0920005	SELLA CON STAFFE XX/XE MY23 NERA	black	pz	1
2	06561005	BOLT WITH WASHER		pz	2
3	09452005	REAR FENDER XX MY23		pz	1
4	09516005	BOCCOLA 6.5X9.5X15.1		pz	2
5	08542005	BOLT FLANGE DEEP RECESS		pz	2
6	06568005	NUT REAR FENDER		pz	2
7	06569005	BOLT FLANGE		pz	2
8	06570005	WASHER PLATE		pz	2
9	08063005	GUARD FLAP		pz	1
10	06600005	SCREW TAPPING		pz	2
11	09448005	COVER, UNDER SEAT, XX/XE MY23		pz	1
12	06556005	VITE M6X12 TE		pz	2
13	06557005	WASHER SPRING		pz	2
14	09450005	SIDE COVER LEFT XX/XE MY23		pz	1
15	09451005	SIDE COVER RIGHT XX/XE MY23		pz	1
16	09422005	BOLT M8X18, COLLAR 19		pz	2
17	06566005	COLLAR		pz	1
18	05758005	BOLT FLANGE		pz	1
19	07458005	SCREW		pz	2
20	00070005	GRAFFETTA METALLICA 6X24		pz	2
21	06739005	BOLT WITH WASHER		pz	1
22	09319005	COVER		pz	1
23	09540005	CYLINDRICAL SPACER		pz	1
24	06559005	COLLAR		pz	2
25	06186005	FISSAGGIO ANTERIORE SELLA		pz	1
26	06555005	BRACKET SEAT		pz	2
27	06187005	SCREW FLAT HEAD		pz	1
28	09442005	QUICK RELEASE RUBBER GROMMET		pz	2
29	09449005	SIDE COVER AIRBOX XX/XE MY23		pz	1



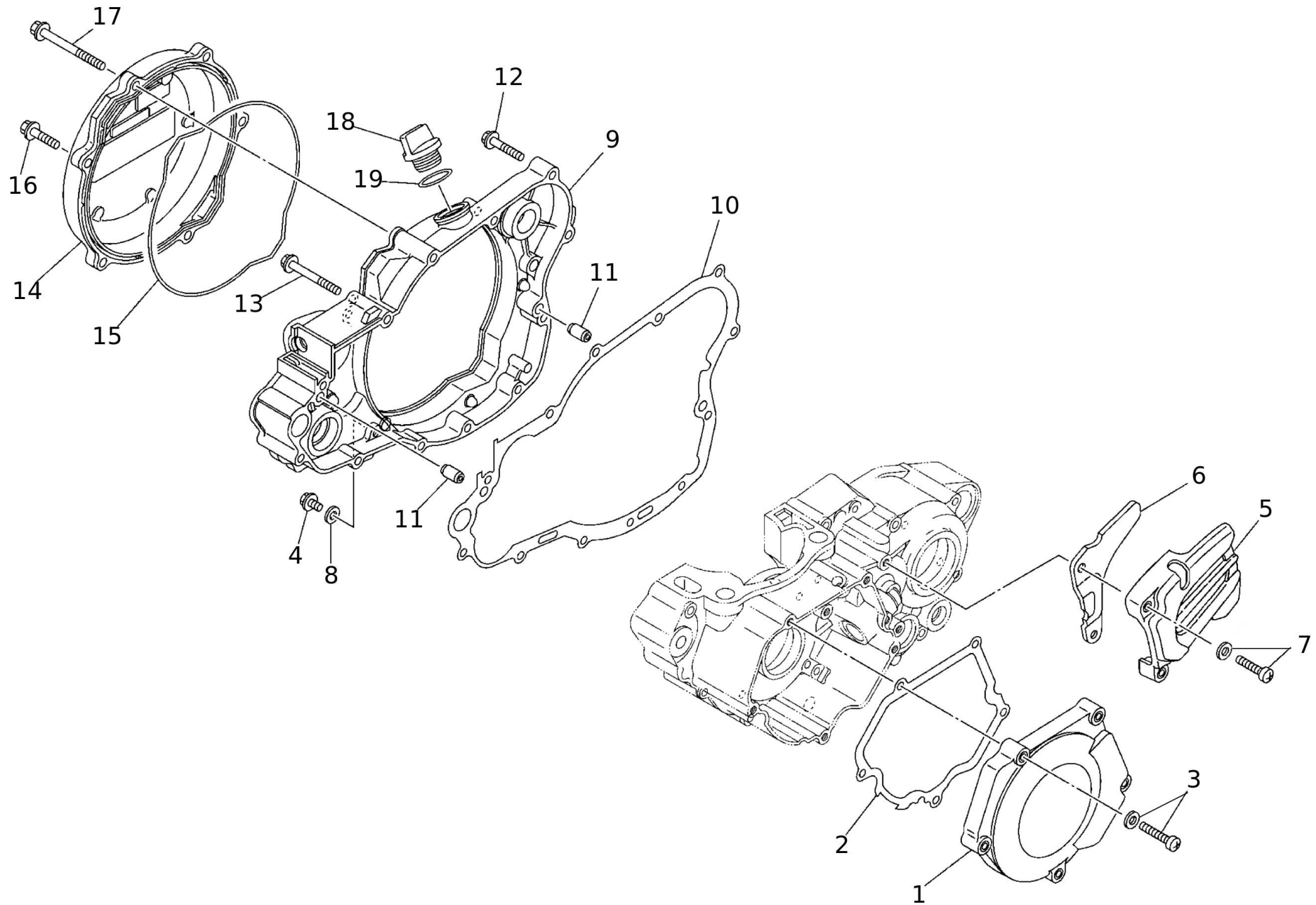
#	Code	Description	Specification	UM	Qty
1	09689020	ECU XX 250		pz	1
2	08084005	IGNITION COIL ASSY		pz	1
3	06391005	PIPETTA CANDELA		pz	1
4	06392005	BOLT FLANGE		pz	2
5	08083005	SUPPORTO BOBINA		pz	1
6	07410005	GROMMET		pz	1
7	06396005	CLAMP		pz	1
8	07534005	WIRING XX125/250 MY22		pz	1



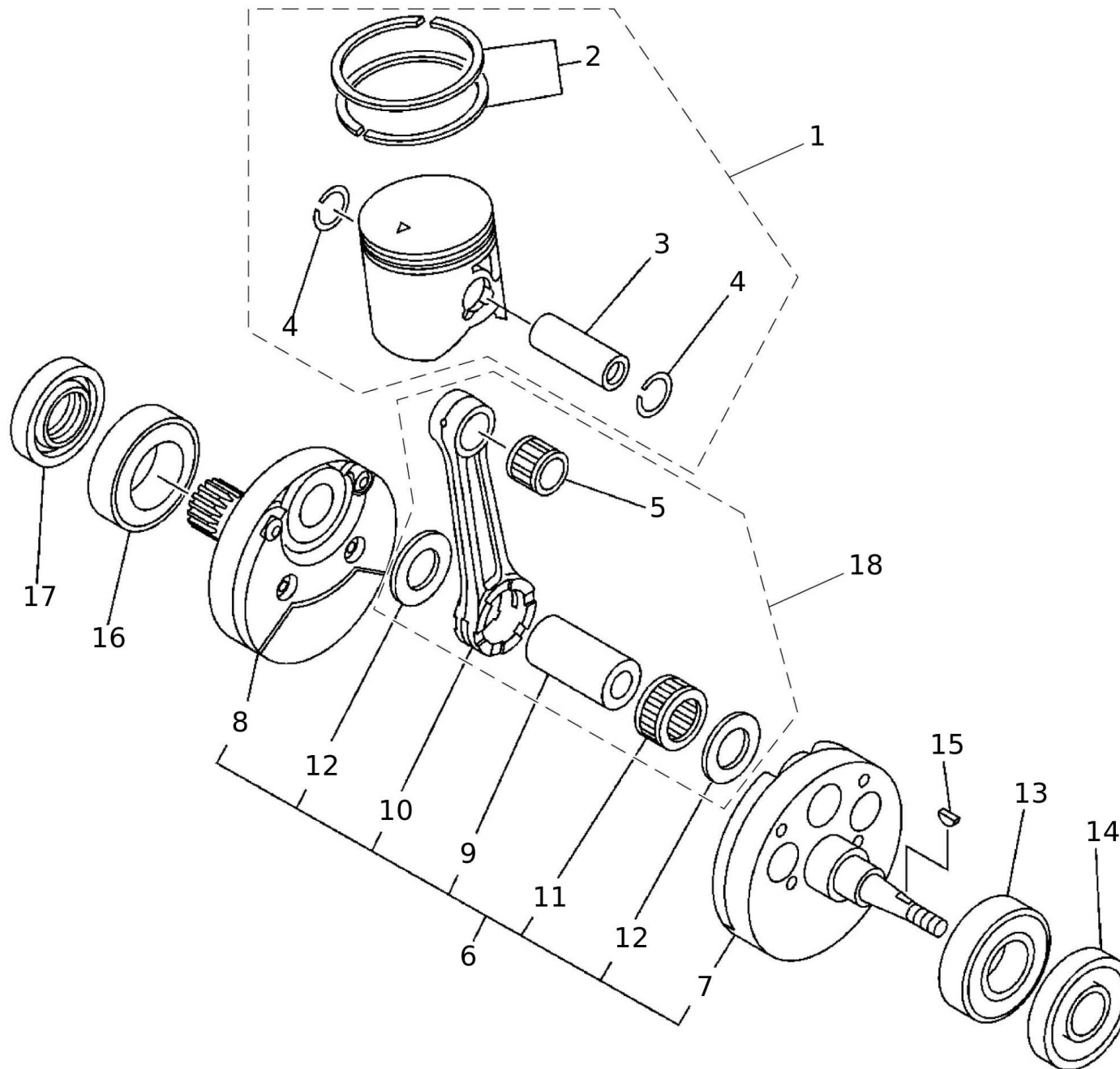
#	Code	Description	Specification	UM	Qty
1	09641005	SERVICE MANUAL 2T		pz	1
2	09420005	ADHESIVE SET	MY23	pz	1
2	V0913005	KIT ADESIVI XX MY24 GIALLO FLUO	MY24	pz	1
3	07525005	STICKER BARDAHL ENGINE CRANKCASE		pz	1



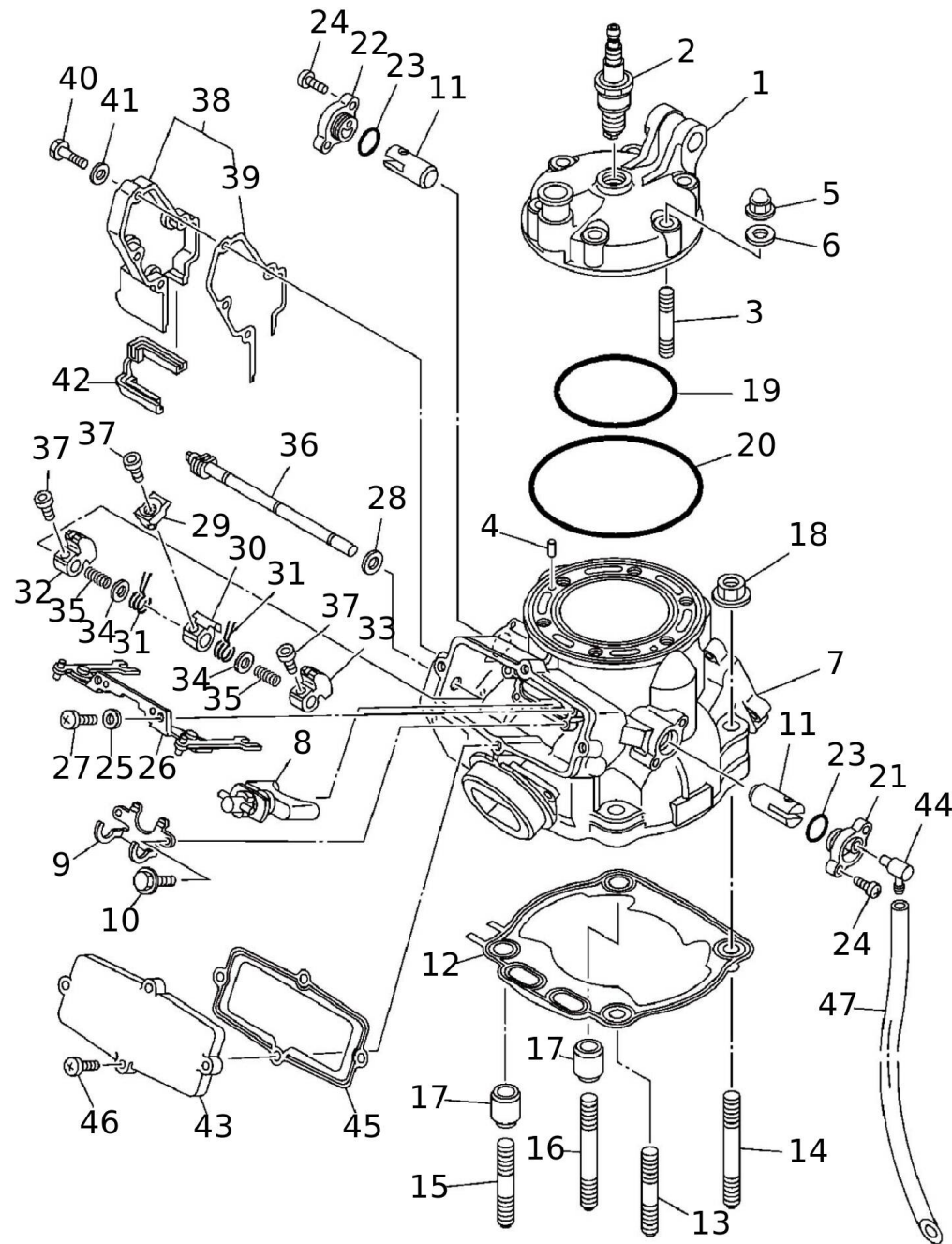
#	Code	Description	Specification	UM	Qty
1	07947005	CRANKCASE 1		pz	1
2	07948005	CRANKCASE 2		pz	1
3	07949005	BOLT HEXAGON SOCKET HEAD		pz	7
4	07950005	BOLT HEXAGON SOCKET HEAD		pz	1
5	07951005	BOLT HEXAGON SOCKET HEAD		pz	3
6	05932005	PIASTRINA COPERTURA CUSCINETTO		pz	2
7	05933005	SCREW		pz	2
8	05852005	CONNECTOR SUCTION PIPE		pz	1
9	07952005	HOSE (L330)		pz	1
10	07953005	GASKET 1		pz	1
11	06621005	BOCCOLA DI CENTRAGGIO TESTATA		pz	2
12	07954005	BUSH		pz	2
13	07955005	PIASTRINA		pz	1
14	WR125-0141	BOLT HEXAGON SOCK		pz	2
15	05862005	SUPPORTO		pz	1
16	07956005	SUPPORTO		pz	1
17	05863005	VITE M6X12 TE FLANGIATA		pz	2
18	07957005	PLUG SCREW		pz	1
19	07958005	GUARNIZIONE		pz	1
20	07959005	CLAMP		pz	1
21	07960005	CLAMP		pz	1
22	07961005	BOLT HEXAGON SOCKET HEAD		pz	1



#	Code	Description	Specification	UM	Qty
1	08653005	LEFT CRANKCASE COVER		pz	1
2	07963005	GASKET CRANKCASE COVER 1		pz	1
3	07524005	SCREW, PAN HEAD W/ WASHER		pz	5
4	05706005	BOLT FLANGE		pz	1
5	07964005	COVER SPROCKET		pz	1
6	07965005	GUIDA CATENA		pz	1
7	07524005	SCREW, PAN HEAD W/ WASHER		pz	2
8	05705005	RONDELLA RAME 11.2X6X1		pz	1
9	07966005	COVER CRANKCASE 3		pz	1
10	07967005	GASKET CRANKCASE COVER 3		pz	1
11	05875005	PIN DOWEL		pz	2
12	05844005	VITE M6X30 TE FLANGIATA		pz	8
13	05880005	BOLT FLANGE		pz	1
14	07968005	COVER CRANKCASE CLUTCH		pz	1
15	07969005	GASKET CRANKCASE COVER		pz	1
16	05710005	BOLT FLANGE		pz	5
17	05709005	BOLT FLANGE		pz	1
18	05876005	PLUG OIL		pz	1
19	05877005	O-RING		pz	1

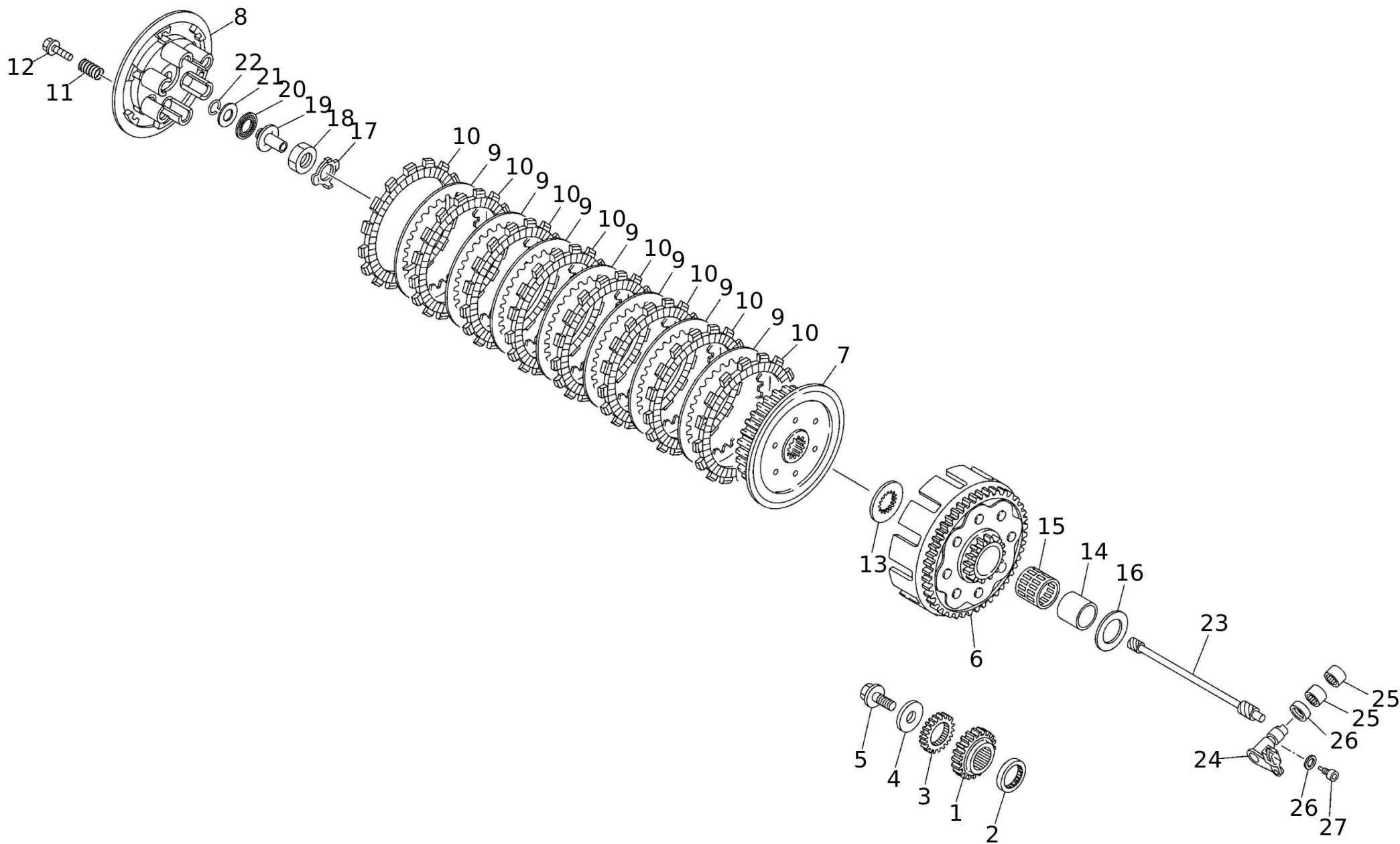


#	Code	Description	Specification	UM	Qty
1	FM210024	COMPLETE PISTON SEL. A	A	pz	1
1	FM210025	COMPLETE PISTON SEL. B	B	pz	1
1	FM210026	COMPLETE PISTON SEL. C	C	pz	1
1	FM210027	COMPLETE PISTON SEL. D	D	pz	1
2	09076005	SEGMENT XX250		pz	2
3	09077005	PIN, PISTON XX250		pz	1
4	09078005	CIRCLIP, PISTON XX250		pz	2
5	07822005	BEARING		pz	1
6	07823005	CRANKSHAFT ASSY		pz	1
7	07824005	CRANKSHAFT		pz	1
8	07825005	CRANKSHAFT		pz	1
9	07826005	PIN CRANK 1		pz	1
10	07827005	ROD CONNECTING		pz	1
11	07828005	BEARING		pz	1
12	07829005	WASHER PLATE		pz	2
13	07830005	BEARING		pz	1
14	05691005	OIL SEAL		pz	1
15	05693005	KEY WOODRUFF		pz	1
16	07830005	BEARING		pz	1
17	07831005	OIL SEAL		pz	1
18	08089005	CONNECTING ROD ASSY		pz	1

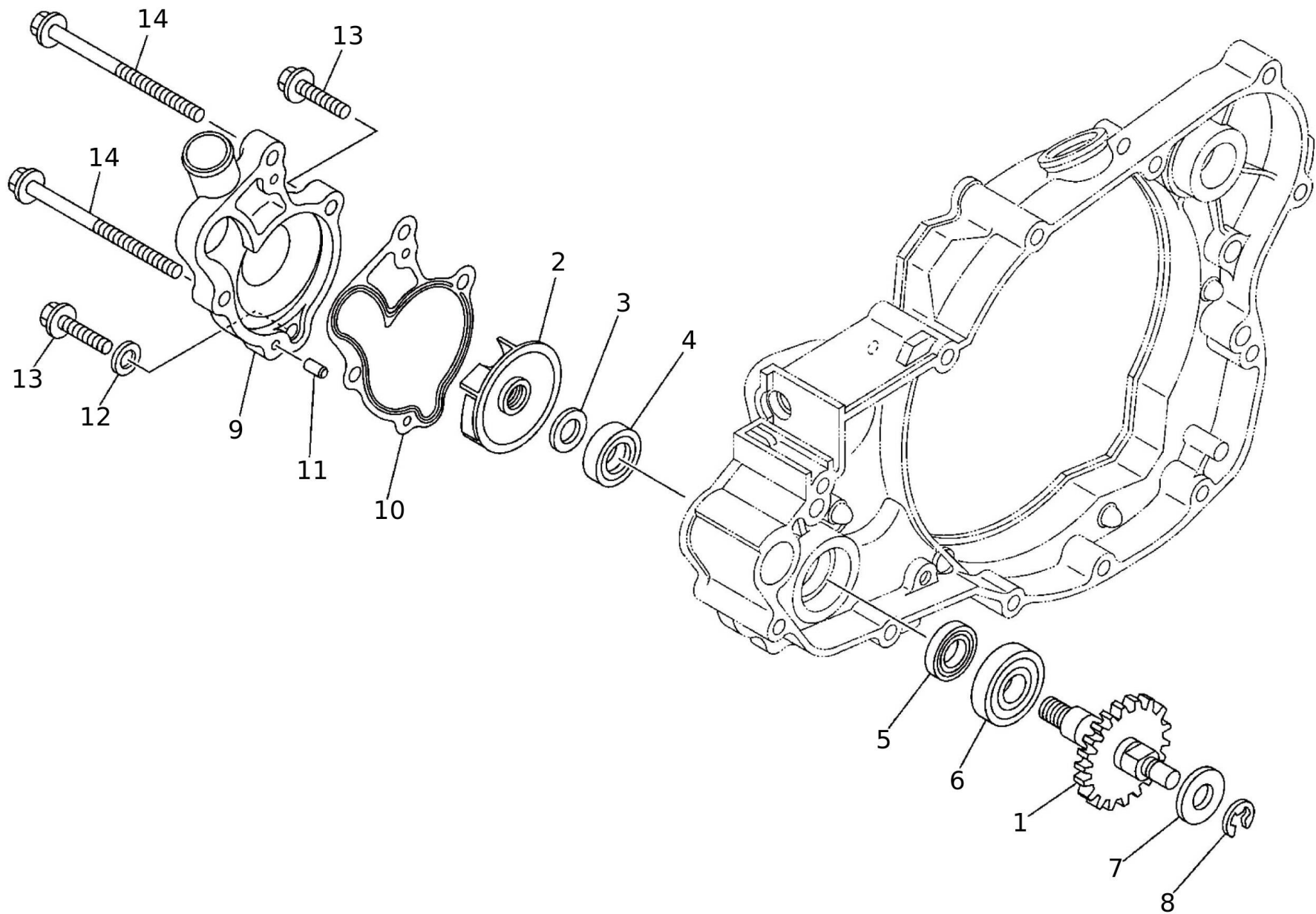


#	Code	Description	Specification	UM	Qty
1	07777005	HEAD CYLINDER 1		pz	1
2	05628005	PLUG SPARK (NGK BR9EVX)		pz	1
3	05617005	BOLT STUD		pz	6
4	07779005	SPINA DI CENTRAGGIO		pz	2
5	05618005	NUT CROWN		pz	6
6	05619005	WASHER PLATE		pz	6
7	07780005	CYLINDER 1		pz	1
8	07781005	VALVE ASSY		pz	1
9	07782005	HOLDER 3		pz	1
10	07783005	SCREW		pz	2
11	07784005	VALVE 2		pz	2
12	07785005	GASKET CYLINDER		pz	1
13	07786005	VITE PRIGIONIERA		pz	1
14	07787005	VITE PRIGIONIERA		pz	1
15	07786005	VITE PRIGIONIERA		pz	1
16	07787005	VITE PRIGIONIERA		pz	1
17	07788005	BOCCOLA DI CENTRAGGIO		pz	2
18	07789005	DADO		pz	4
19	07790005	O-RING		pz	1
20	07791005	O-RING		pz	1
21	07792005	SUPPORTO		pz	1
22	07793005	SUPPORTO		pz	1
23	07794005	O-RING		pz	2
24	05653005	SCREW PAN HEAD		pz	4
25	05656005	WASHER PLATE		pz	2
26	07795005	LINK ASSY		pz	1
27	08395005	SCREW		pz	2
28	05636005	OIL SEAL		pz	1
29	07797005	FERMO		pz	1
30	05633005	LEVER LINK		pz	1
31	07798005	SPRING TORSION		pz	2
32	07799005	PULLEY 1		pz	1
33	07800005	PULLEY 2		pz	1
34	07801005	WASHER PLATE		pz	2
35	07802005	SPRING COMPRESSION		pz	2
36	07803005	SHAFT 1		pz	1
37	07804005	BOLT HEXAGON SOCKET HEAD		pz	3
38	07805005	HOUSING 1		pz	1
39	07806005	GUARNIZIONE		pz	1
40	07807005	SCREW		pz	4

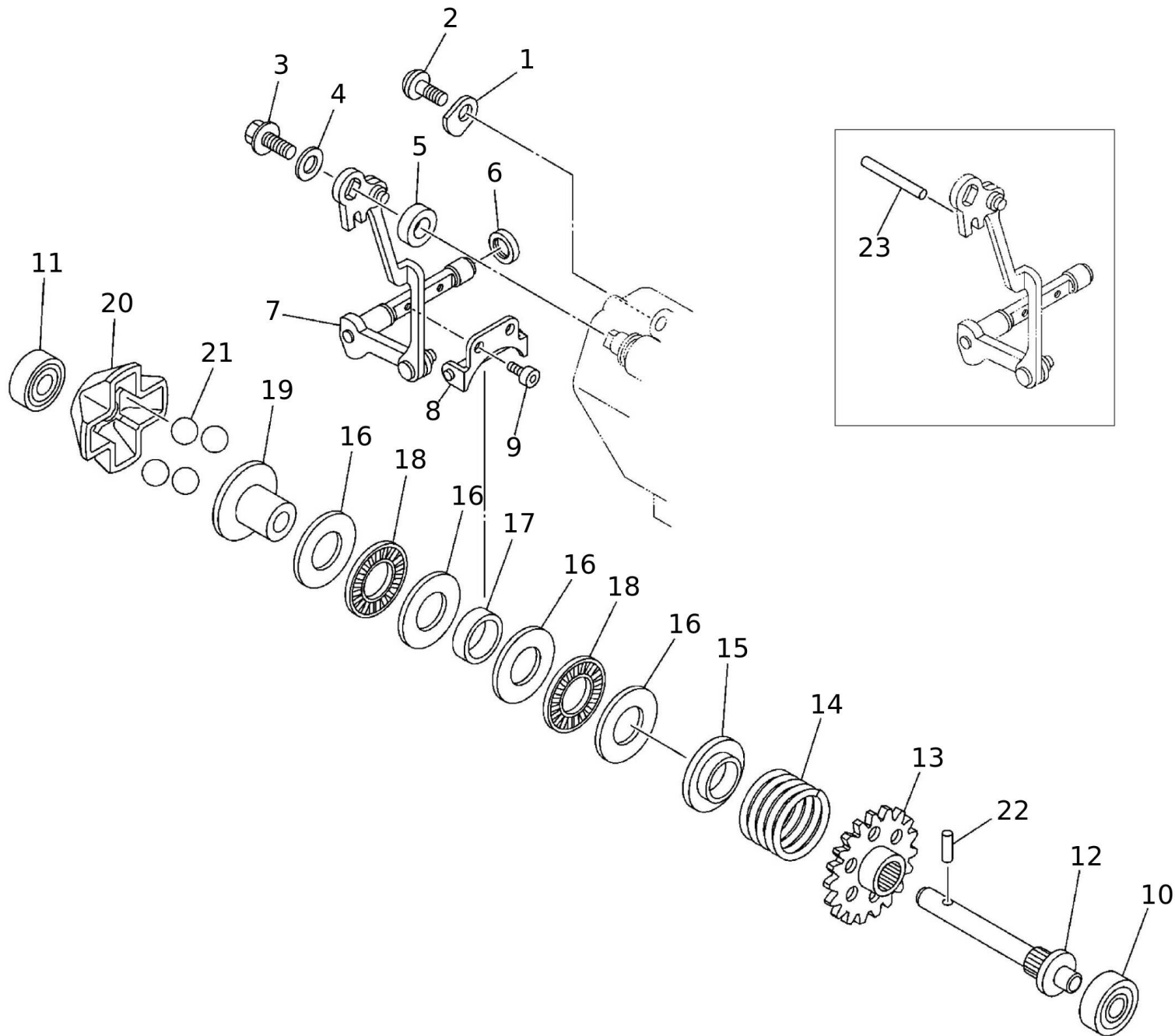
#	Code	Description	Specification	UM	Qty
41	05999005	WASHER PLATE		pz	4
42	07808005	GUARNIZIONE		pz	1
43	07809005	COVER		pz	1
44	05852005	CONNECTOR SUCTION PIPE		pz	1
45	07810005	GUARNIZIONE		pz	1
46	05641005	SCREW BIND		pz	4
47	07811005	HOSE (L300)		pz	1



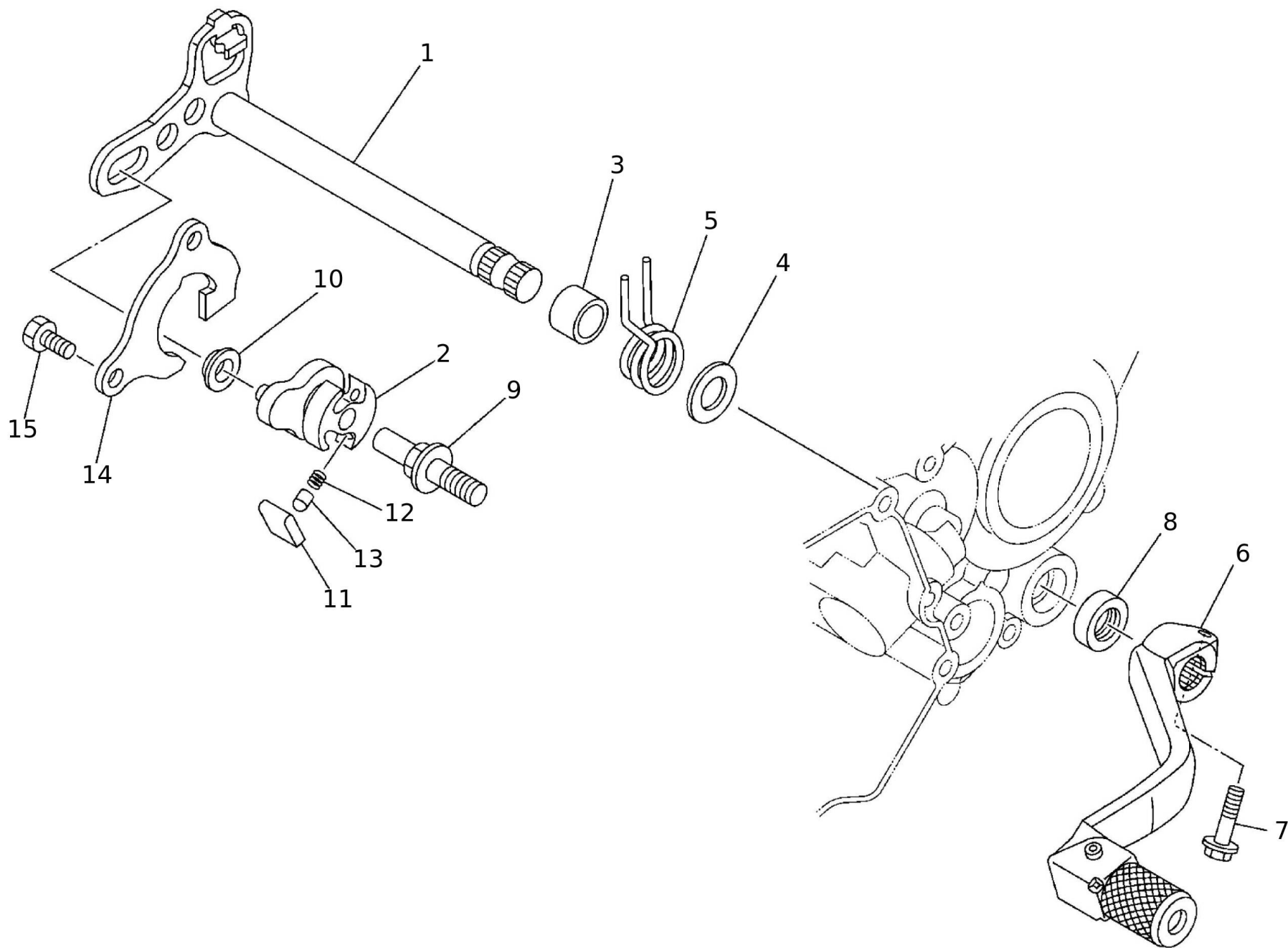
#	Code	Description	Specification	UM	Qty
1	07993005	GEAR, PRIMARY DRIVE		pz	1
2	07994005	WASHER PLATE		pz	1
3	07995005	GEAR, GOVERNOR DRIVE		pz	1
4	07996005	WASHER PLATE		pz	1
5	07997005	BOLT WITH WASHER		pz	1
6	07998005	PRIMARY DRIVEN GEAR COMP.		pz	1
7	07999005	BOSS CLUTCH		pz	1
8	08000005	PLATE PRESSURE 1		pz	1
9	08001005	PLATE CLUTCH 2		pz	7
10	08002005	PLATE FRICTION		pz	8
11	08003005	SPRING COMPRESSION		pz	6
12	07281005	VITE CON RONDELLE		pz	6
13	08004005	WASHER PLATE		pz	1
14	08005005	BAR SHIFT FORK GUIDE		pz	1
15	08006005	BEARING		pz	1
16	08007005	WASHER PLATE		pz	1
17	08008005	WASHER LOCK		pz	1
18	08009005	DADO		pz	1
19	08010005	ROD PUSH 1		pz	1
20	05668005	BEARING		pz	1
21	08011005	WASHER PLATE		pz	1
22	06877005	CIRCLIP		pz	1
23	08012005	ROD PUSH		pz	1
24	08013005	PUSH LEVER ASSY		pz	1
25	08014005	BEARING		pz	2
26	05985005	OIL SEAL		pz	1
27	08015005	SCREW		pz	1
28	08474001	GUARNIZIONE		pz	1



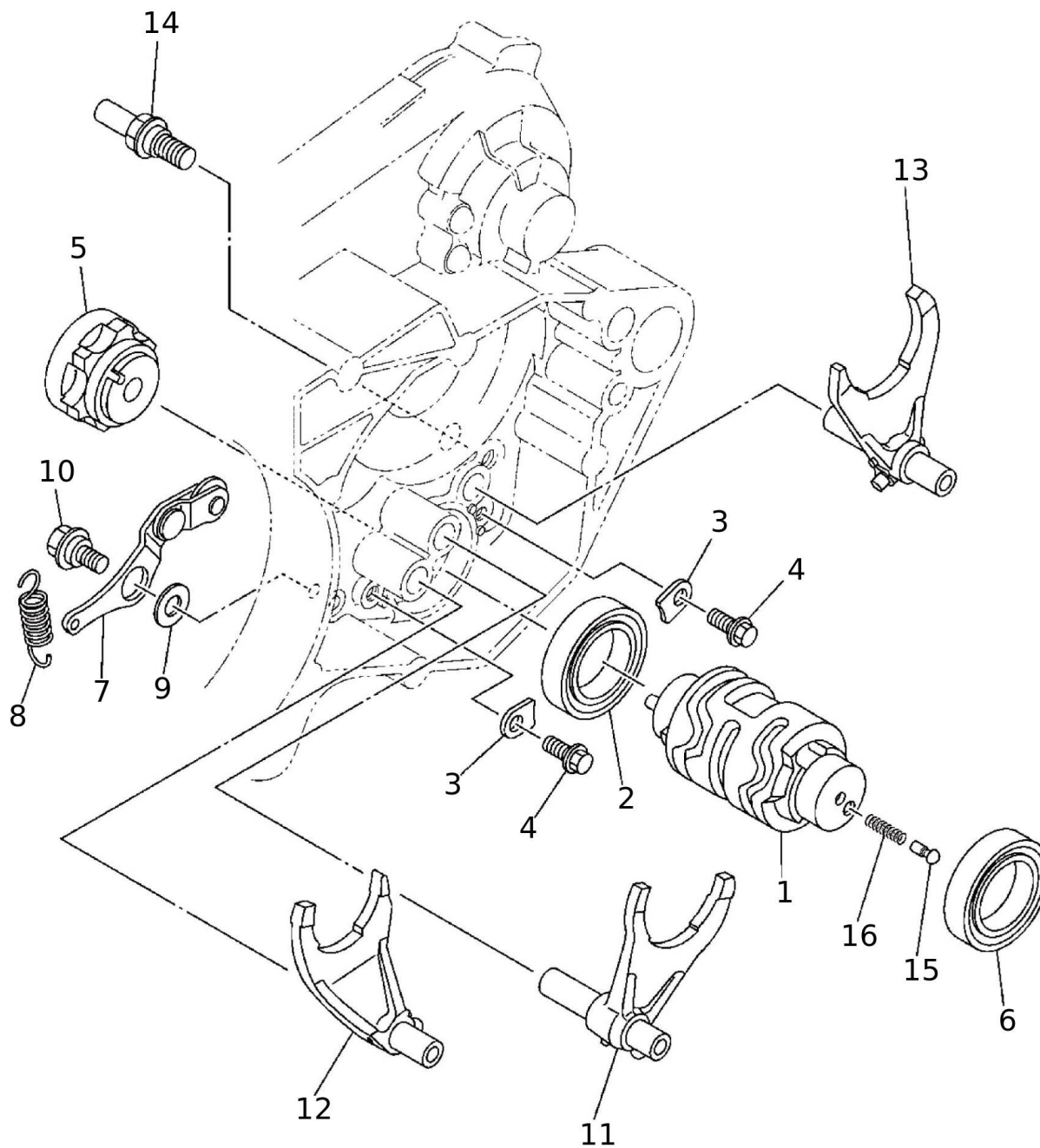
#	Code	Description	Specification	UM	Qty
1	07832005	GEAR IMPELLER SHAFT		pz	1
2	07833005	IMPELLER SHAFT ASSY		pz	1
3	05697005	WASHER PLATE		pz	1
4	07834005	OIL SEAL		pz	1
5	08385005	OIL SEAL		pz	1
6	07836005	BEARING		pz	1
7	07837005	WASHER PLATE		pz	1
8	07838005	CIRCLIP		pz	1
9	07839005	COPERCHIO POMPA ACQUA		pz	1
10	07840005	WATER PUMP GASKET		pz	1
11	05708005	PERNO DI CENTRAGGIO		pz	2
12	05705005	RONDELLA RAME 11.2X6X1		pz	1
13	05710005	BOLT FLANGE		pz	2
14	05709005	BOLT FLANGE		pz	2



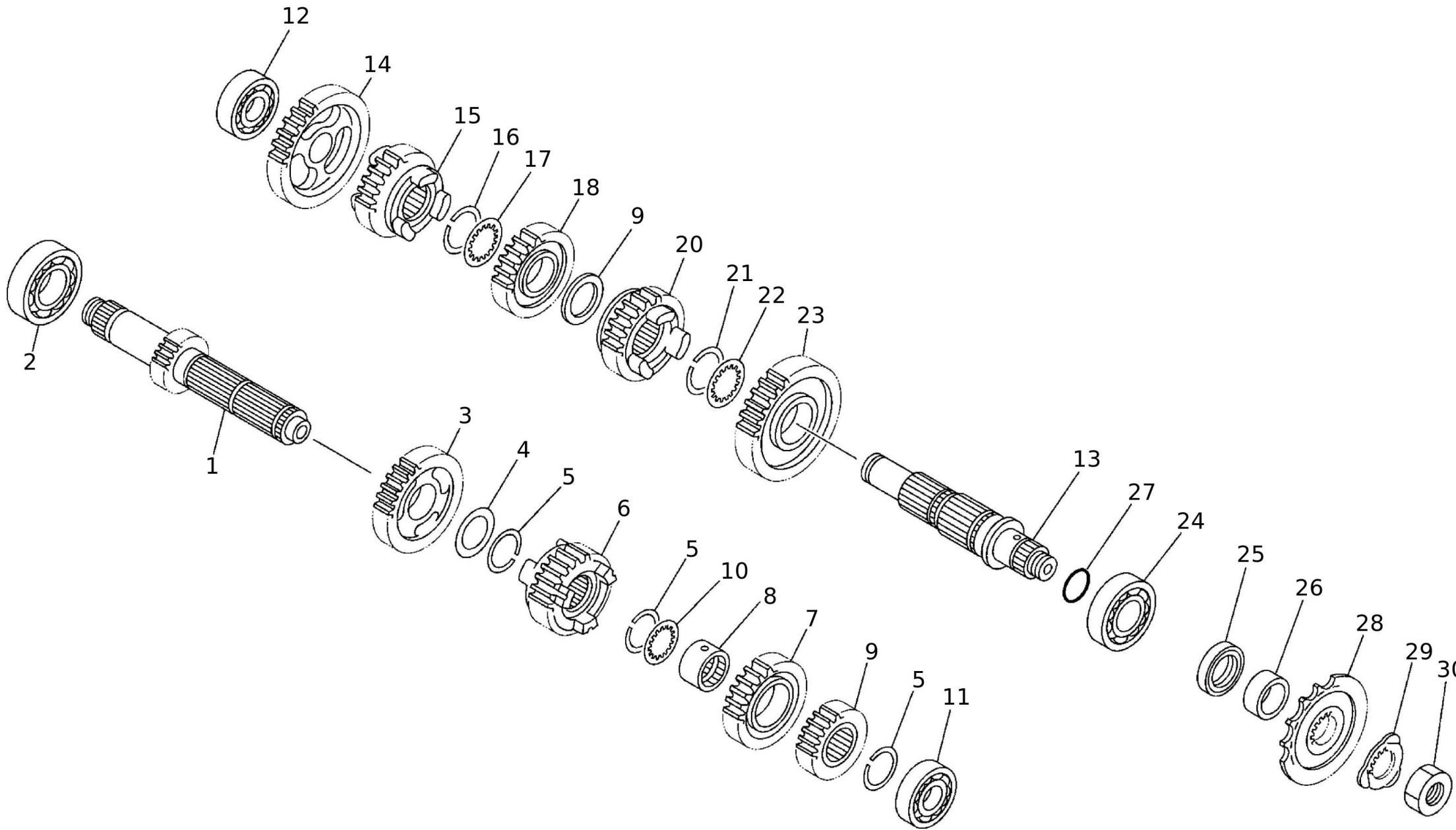
#	Code	Description	Specification	UM	Qty
1	05652005	PIASTRINA		pz	1
2	08395005	SCREW		pz	1
3	07812005	BOLT WITH WASHER		pz	1
4	05656005	WASHER PLATE		pz	1
5	05655005	COLLAR		pz	1
6	05636005	OIL SEAL		pz	1
7	07813005	PUSH ROD ASSY		pz	1
8	05659005	FORK GOVERNOR		pz	1
9	05660005	BOLT HEXAGON SOCKET HEAD		pz	2
10	05703005	BEARING		pz	1
11	05703005	BEARING		pz	1
12	05662005	SHAFT GOVERNOR		pz	1
13	05663005	GEAR GOVERNOR		pz	1
14	07814005	SPRING COMPRESSION		pz	1
15	05665005	BUSH		pz	1
16	05666005	WASHER PLATE		pz	4
17	05667005	RING		pz	1
18	05668005	BEARING		pz	2
19	05669005	BUSH		pz	1
20	05670005	FERMO		pz	1
21	05671005	SFERA		pz	4
22	05672005	PIN DOWEL		pz	1
23	07815005	PIN CLEVIS		pz	1



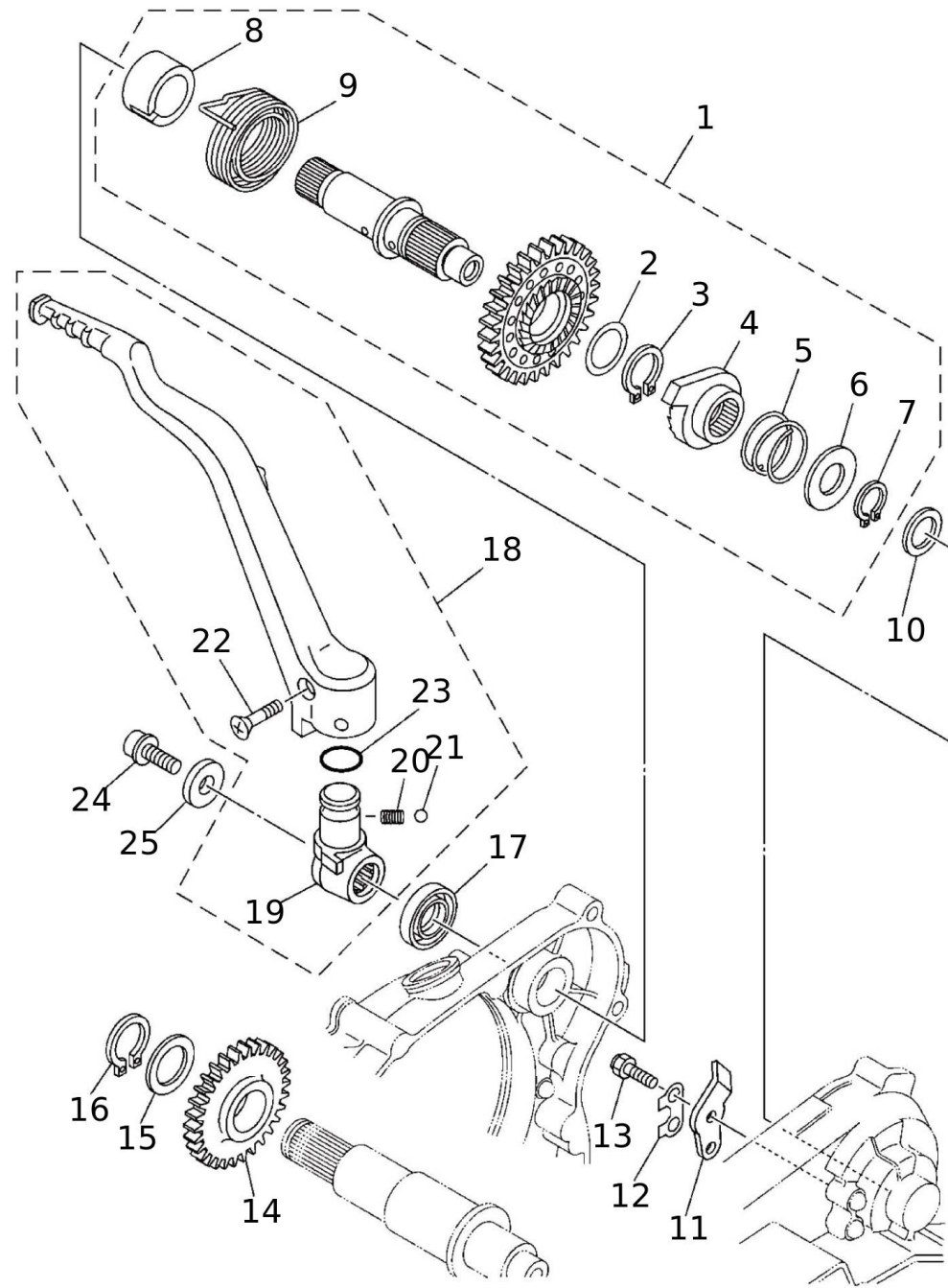
#	Code	Description	Specification	UM	Qty
1	08359005	SHIFT SHAFT ASSY		pz	1
2	08052005	LEVER SHIFT 2		pz	1
3	08053005	BUSH		pz	1
4	08054005	WASHER PLATE		pz	1
5	08055005	SPRING TORSION		pz	1
6	05983005	SHIFT PEDAL ASSY		pz	1
7	05737005	BOLT FLANGE		pz	1
8	05985005	OIL SEAL		pz	1
9	05986005	PERNO DEL SELETTORE		pz	1
10	05987005	RULLO LEVA DEL CAMBIO		pz	1
11	05988005	DENTE DI ARRESTO		pz	2
12	05989005	SPRING COMPRESSION		pz	2
13	05990005	GRANO SPINA DENTE DI ARRESTO		pz	2
14	08056005	GUIDE SHIFT		pz	1
15	05992005	VITE M6X12 TE		pz	2



#	Code	Description	Specification	UM	Qty
1	08037005	CAM SHIFT		pz	1
2	08038005	BEARING		pz	1
3	08039005	PLATE, STOPPER 2		pz	2
4	WR125-0146	SCREW		pz	2
5	08040005	SEGMENT		pz	1
6	08041005	BEARING		pz	1
7	08042005	GRUPPO LEVA DI ARRESTO		pz	1
8	FM190424	MOLLA LEVA INDEX		pz	1
9	08044005	WASHER PLATE		pz	1
10	08045005	SCREW		pz	1
11	08046005	FORK SHIFT 1		pz	1
12	08047005	FORK SHIFT 2		pz	1
13	08048005	FORK SHIFT 3		pz	1
14	08369005	SCREW		pz	1
15	08050005	POINT NEUTRAL		pz	1
16	06907005	SPRING COMPRESSION		pz	1

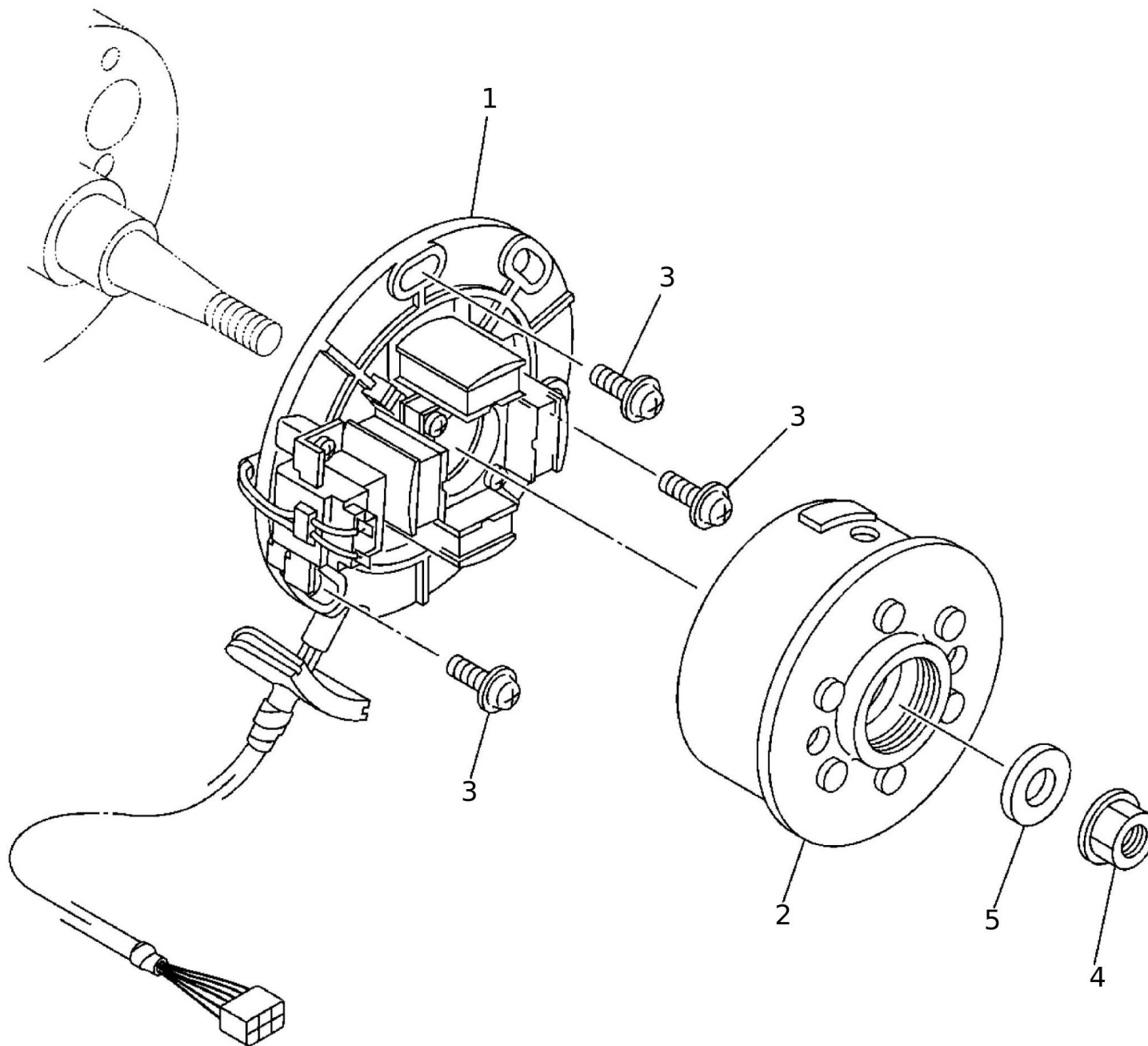


#	Code	Description	Specification	UM	Qty
1	08016005	AXLE MAIN (14T)		pz	1
2	08017005	BEARING		pz	1
3	08018005	INGRANAGGIO MOVENTE 5A MARCIA (21T)		pz	1
4	07290005	RONDELLA PIANA (T=1,0)		pz	1
5	07291005	CIRCLIP		pz	3
6	08019005	GEAR, 3RD PINION(18T)		pz	1
7	08020005	INGRANAGGIO MOVENTE 4A MARCIA (22T)		pz	1
8	08021005	BUSH		pz	1
9	08022005	INGRANAGGIO MOVENTE 2A MARCIA (15T)		pz	1
10	07296005	BAR SHIFT FORK GUIDE		pz	1
11	05931005	BEARING		pz	1
12	07298005	BEARING		pz	1
13	08023005	DRIVE AXLE ASSY		pz	1
14	08024005	INGRANAGGIO CONDOTTO 1A MARCIA (27T)		pz	1
15	08025005	INGRANAGGIO CONDOTTO 5A MARCIA (20T)		pz	1
16	07291005	CIRCLIP		pz	1
17	07296005	BAR SHIFT FORK GUIDE		pz	1
18	08026005	GEAR 3RD WHEEL (23T)		pz	1
19	07290005	RONDELLA PIANA (T=1,0)		pz	1
20	08027005	INGRANAGGIO CONDOTTO 4A MARCIA (24T)		pz	1
21	07306005	CIRCLIP		pz	1
22	07308005	BAR SHIFT FORK GUIDE		pz	1
23	08028005	INGRANAGGIO CONDOTTO 2A MARCIA (23T)		pz	1
24	08029005	BEARING		pz	1
25	08030005	OIL SEAL		pz	1
26	08031005	BUSH		pz	1
27	07314005	O-RING		pz	1
28	08033005	SPROCKET,DRIVE (14T)		pz	1
28	08034005	PIGNONE (13T)		pz	1
29	08035005	WASHER LOCK		pz	1
30	08036005	DADO		pz	1

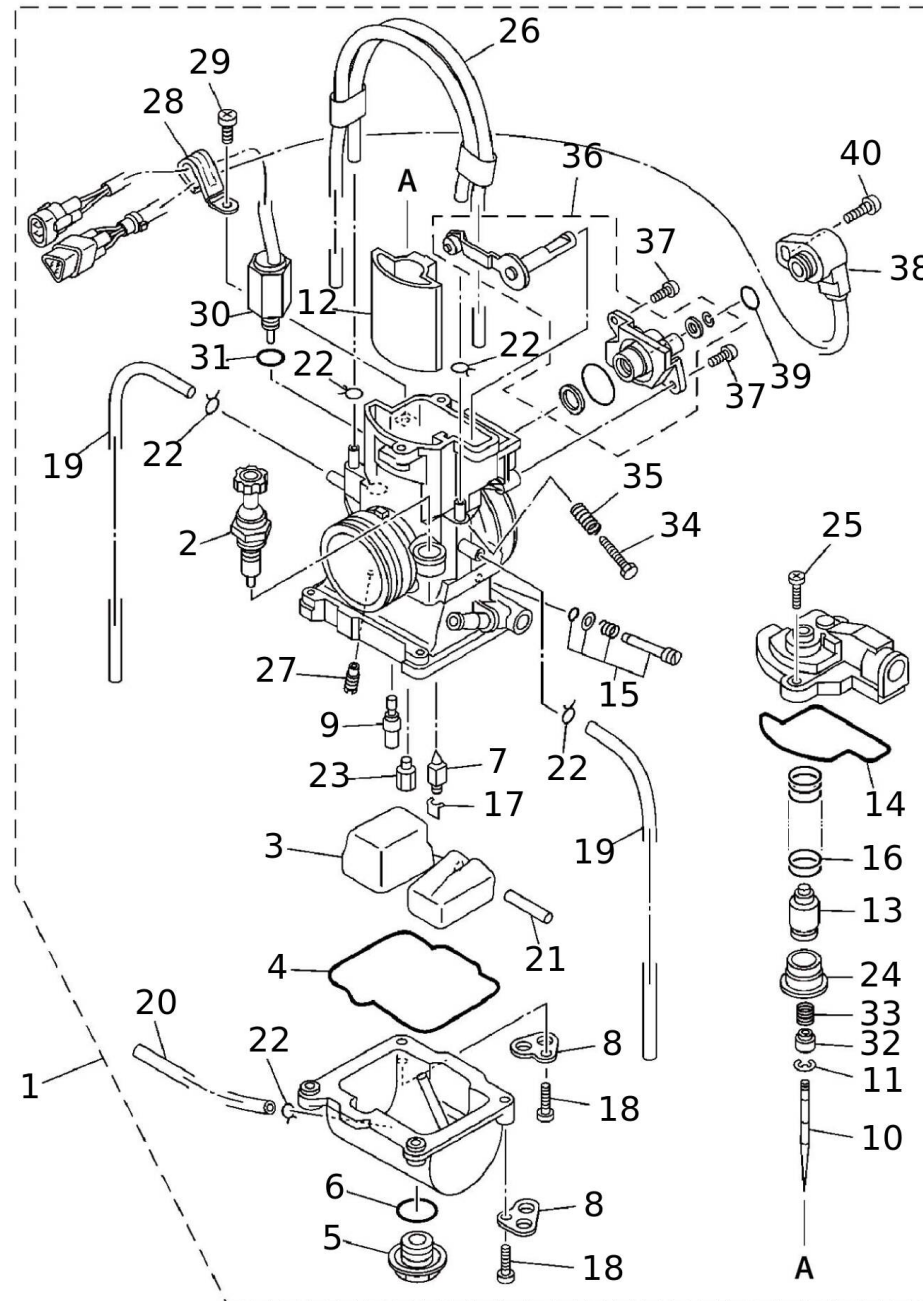


Starter

#	Code	Description	Specification	UM	Qty
1	07970005	KICK SHAFT ASSY		pz	1
2	07971005	WASHER PLATE		pz	1
3	07972005	CIRCLIP		pz	1
4	07973005	WHEEL RATCHET		pz	1
5	07974005	SPRING COMPRESSION		pz	1
6	07975005	WASHER PLATE		pz	1
7	07976005	CIRCLIP		pz	1
8	07977005	BUSH		pz	1
9	07978005	SPRING TORSION		pz	1
10	07979005	WASHER PLATE		pz	1
11	07980005	GUIDE RATCHET WHEEL		pz	1
12	07981005	WASHER LOCK		pz	1
13	07982005	BOLT HEXAGON		pz	2
14	07983005	GEAR KICK IDLE		pz	1
15	07984005	WASHER PLATE		pz	1
16	07985005	CIRCLIP		pz	1
17	07986005	OIL SEAL		pz	1
18	07987005	KICK CRANK ASSY		pz	1
19	07988005	BOSS KICK CRANK		pz	1
20	07989005	SPRING COMPRESSION		pz	1
21	05901005	SFERA		pz	1
22	05903005	SCREW COUNTERSUNK		pz	1
23	07990005	O-RING		pz	1
24	07991005	BOLT HEXAGON SOCKET HEAD		pz	1
25	07992005	WASHER PLATE		pz	1



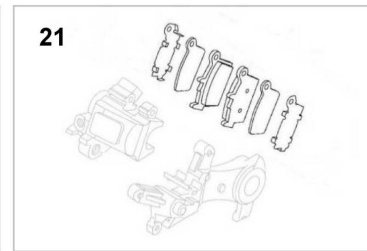
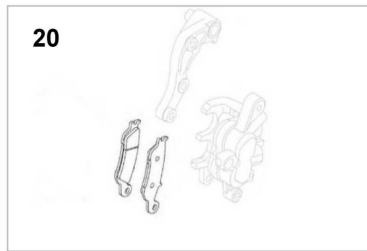
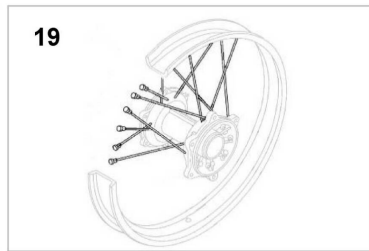
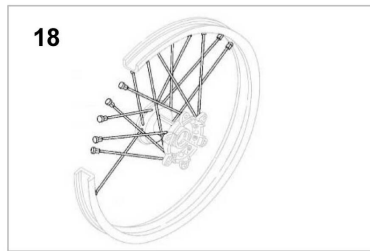
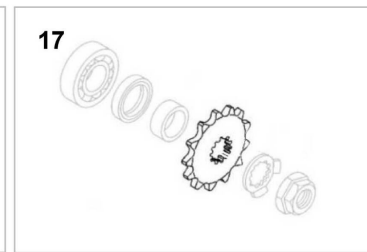
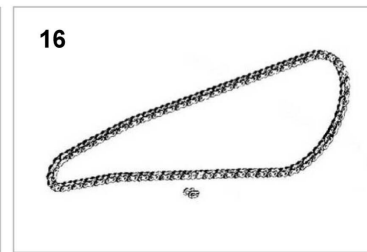
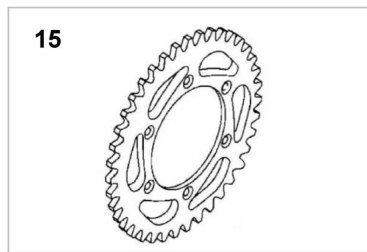
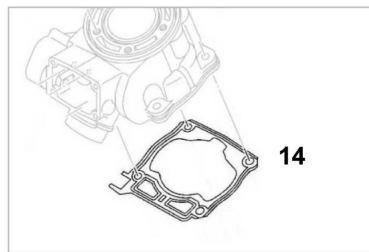
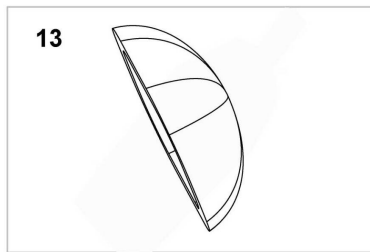
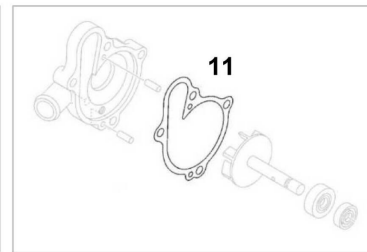
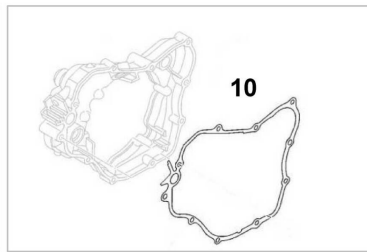
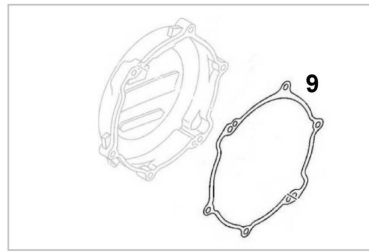
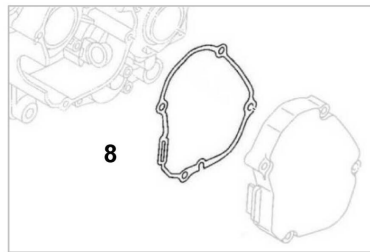
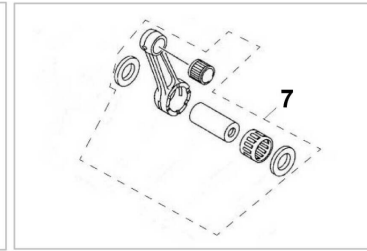
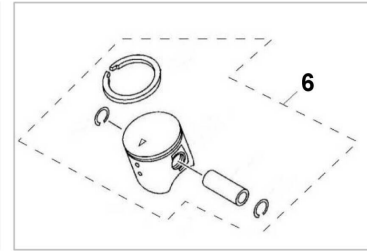
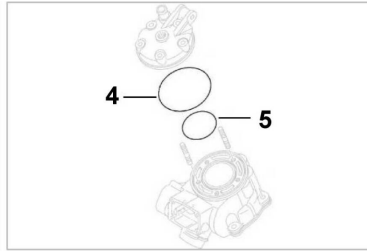
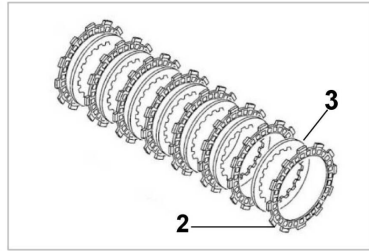
#	Code	Description	Specification	UM	Qty
1	08079005	GRUPPO STATORE		pz	1
2	08080005	GRUPPO ROTORE		pz	1
3	06182005	SCREW		pz	3
4	06375005	NUT		pz	1
5	08081005	WASHER PLATE		pz	1



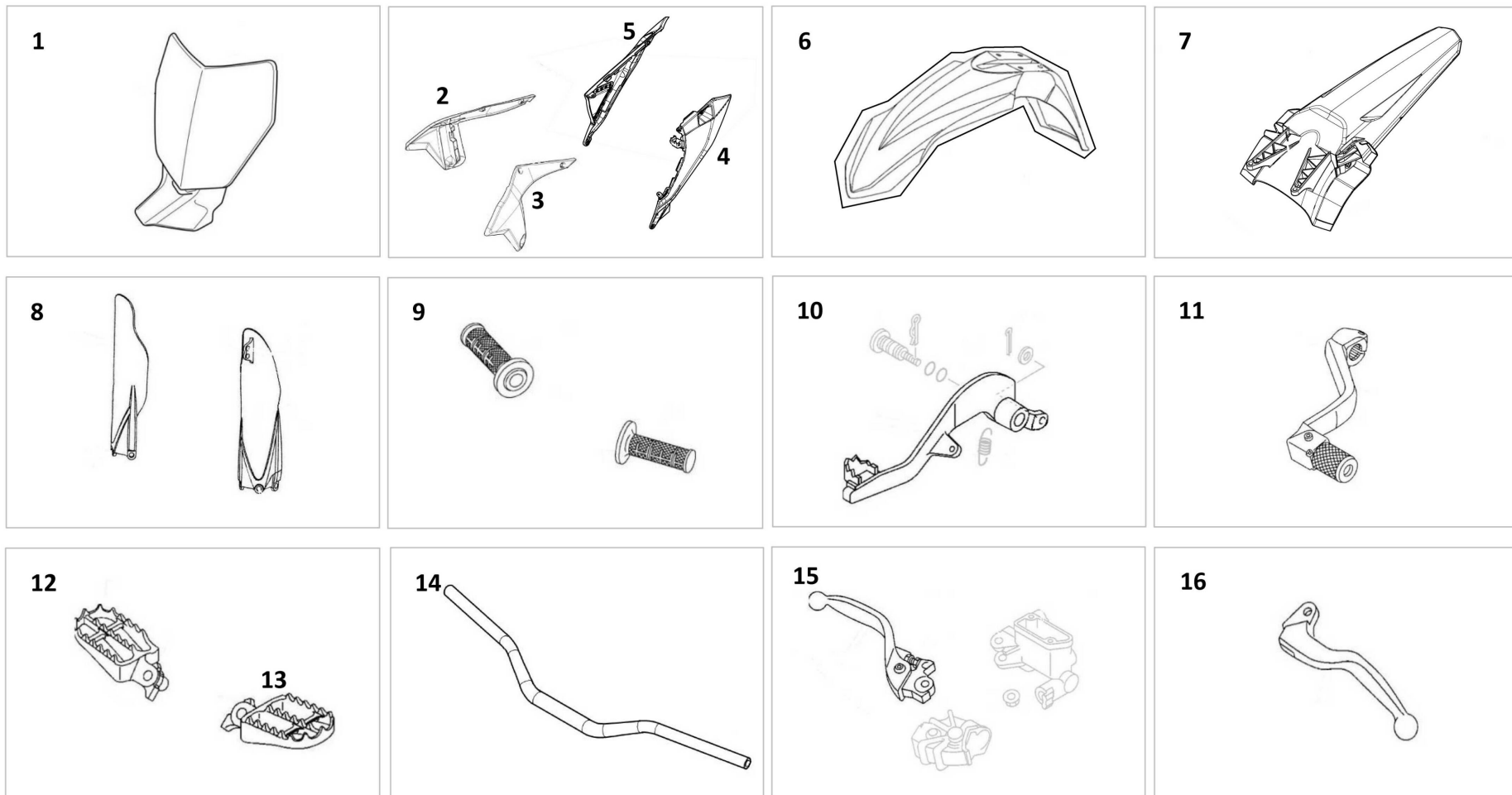
#	Code	Description	Specification	UM	Qty
1	08095005	CARBURETOR ASSY 1		pz	1
2	07859005	PLUNGER STARTER		pz	1
3	07860005	FLOAT		pz	1
4	07861005	GASKET FLOAT CHAMBER		pz	1
5	07862005	PLUG SCREW		pz	1
6	07863005	O-RING		pz	1
7	07864005	VALVE NEEDLE		pz	1
8	07865005	PIASTRINA		pz	2
9	07866005	.JET, SLOW (#52)	ACCESSORY	pz	1
9	07867005	.JET, SLOW (#62)	ACCESSORY	pz	1
9	07868005	.JET, SLOW (#60)	ACCESSORY	pz	1
9	07869005	.JET, SLOW (#58)	ACCESSORY	pz	1
9	07870005	.JET, SLOW (#55)	STD	pz	1
9	07871005	.JET, SLOW (#50)	ACCESSORY	pz	1
9	07872005	.JET, SLOW (#48)	ACCESSORY	pz	1
9	07873005	.JET, SLOW (#45)	ACCESSORY	pz	1
9	07874005	.JET, SLOW (#42)	ACCESSORY	pz	1
9	07875005	.JET, SLOW (#40)	ACCESSORY	pz	1
9	07876005	.JET, SLOW (#38)	ACCESSORY	pz	1
10	07877005	.NEEDLE (N3EW)	STD	pz	1
10	07878005	.NEEDLE (N89G)	ACCESSORY	pz	1
10	07879005	.NEEDLE (N89H)	ACCESSORY	pz	1
10	07880005	.NEEDLE (N89W)	ACCESSORY	pz	1
10	07881005	.NEEDLE (N89J)	ACCESSORY	pz	1
10	07882005	.NEEDLE (N3CG)	ACCESSORY	pz	1
10	07883005	.NEEDLE (N3CH)	ACCESSORY	pz	1
10	07884005	.NEEDLE (N3CW)	ACCESSORY	pz	1
10	07885005	.NEEDLE (N3CJ)	ACCESSORY	pz	1
10	07886005	.NEEDLE (N3CK)	ACCESSORY	pz	1
10	07887005	.NEEDLE (N3EG)	ACCESSORY	pz	1
10	07888005	.NEEDLE (N3EH)	ACCESSORY	pz	1
10	07889005	.NEEDLE (N3EJ)	ACCESSORY	pz	1
10	07890005	.NEEDLE (N3EK)	ACCESSORY	pz	1
10	07891005	.NEEDLE (N8RH)	ACCESSORY	pz	1
10	07892005	.NEEDLE (N8RW)	ACCESSORY	pz	1
10	07893005	.NEEDLE (N8RJ)	ACCESSORY	pz	1
11	07894005	CIRCLIP		pz	1
12	07895005	VALVE ASSY		pz	1
13	07896005	SUPPORTO		pz	1
14	07897005	GUARNIZIONE		pz	1

#	Code	Description	Specification	UM	Qty
15	07898005	PILOT SCREW SET		pz	1
16	07899005	SPRING THROTTLE VALVE		pz	1
17	07900005	CLIP		pz	1
18	07901005	SCREW PAN HEAD		pz	4
19	07902005	PIPE		pz	2
20	07903005	PIPE, BREATHER 1		pz	1
21	07904005	PIN CLEVIS		pz	1
22	07905005	CLIP		pz	5
23	07906005	.JET, MAIN (#180)	ACCESSORY	pz	1
23	07907005	.JET, MAIN (#190)	STD	pz	1
23	07908005	.JET, MAIN (#188)	ACCESSORY	pz	1
23	07909005	.JET, MAIN (#185)	ACCESSORY	pz	1
23	07910005	.JET, MAIN (#182)	ACCESSORY	pz	1
23	07911005	.JET, MAIN (#178)	ACCESSORY	pz	1
23	07912005	.JET, MAIN (#175)	ACCESSORY	pz	1
23	07913005	.JET, MAIN (#172)	ACCESSORY	pz	1
23	07914005	.JET, MAIN (#170)	ACCESSORY	pz	1
23	07915005	.JET, MAIN (#168)	ACCESSORY	pz	1
23	07916005	.JET, MAIN (#165)	ACCESSORY	pz	1
23	07917005	.JET, MAIN (#162)	ACCESSORY	pz	1
23	08673005	.JET, MAIN (#195)	ACCESSORY	pz	1
24	07918005	RING		pz	1
25	07919005	SCREW PAN HEAD		pz	2
26	07920005	HOSE		pz	1
27	07921005	.JET (#50)	STD	pz	1
27	07922005	.JET (#55)	ACCESSORY	pz	1
27	07923005	.JET (#60)	ACCESSORY	pz	1
27	07924005	.JET (#65)	ACCESSORY	pz	1
27	07925005	.JET (#70)	ACCESSORY	pz	1
27	07926005	.JET (#40)	ACCESSORY	pz	1
28	07927005	CLAMP		pz	1
29	07928005	SCREW PAN HEAD		pz	1
30	07929005	FUEL CUT SOLENOID VALVE		pz	1
31	07930005	O-RING		pz	1
32	07931005	BUSH		pz	1
33	07932005	SPRING		pz	1
34	07933005	SCREW THROTTLE		pz	1
35	07934005	SPRING THROTTLE STOP		pz	1
36	07935005	LEVER COMP. 1		pz	1
37	07936005	SCREW		pz	2

#	Code	Description	Specification	UM	Qty
38	08360005	THROTTLE SENSOR ASSY		pz	1
39	08354005	O-RING		pz	1
40	08348005	SCREW		pz	1



#	Code	Description	Specification	UM	Qty
1	06114005	PARAPOLVERE AMMORTIZZATORE		pz	1
2	08002005	PLATE FRICTION		pz	8
3	08001005	PLATE CLUTCH 2		pz	7
4	07790005	O-RING		pz	1
5	07791005	O-RING		pz	1
6	FM210024	COMPLETE PISTON SEL. A	A RED	pz	1
6	FM210025	COMPLETE PISTON SEL. B	B ORANGE	pz	1
6	FM210026	COMPLETE PISTON SEL. C	C GREEN	pz	1
6	FM210027	COMPLETE PISTON SEL. D	D PURPLE	pz	1
7	08089005	CONNECTING ROD ASSY		pz	1
8	07963005	GASKET CRANKCASE COVER 1		pz	1
9	07969005	GASKET CRANKCASE COVER		pz	1
10	07967005	GASKET CRANKCASE COVER 3		pz	1
11	07840005	WATER PUMP GASKET		pz	1
12	05628005	PLUG SPARK (NGK BR9EVX)		pz	1
13	09500005	AIR FILTER OFF-ROAD 2T MY23		pz	1
14	07785005	GASKET CYLINDER		pz	1
15	08697005	CORONA POST 49D MY22		pz	1
16	07556005	CATENA DID520DMA4 L114		pz	1
17	08033005	SPROCKET,DRIVE (14T)		pz	1
18	06201005	SPOKE SET FRONT		pz	1
19	06236005	SET RAGGI POSTERIORE 19"		pz	1
20	08739005	PASTIGLIE FRENO ANT		pz	1
21	08076005	.BRAKE PAD KIT 2		pz	1
22	09225020	KIT MINUTERIE OFF-ROAD		pz	1



#	Code	Description	Specification	UM	Qty
1	07503005	FRONT PLATE NUMBER OFF-ROAD		pz	1
2	07496005	RIGHT SPOILER XX/XE 2T		pz	1
3	07495005	LEFT SPOILER XX/XE		pz	1
4	09450005	SIDE COVER LEFT XX/XE MY23		pz	1
5	09451005	SIDE COVER RIGHT XX/XE MY23		pz	1
6	07500005	FRONT FENDER OFF-ROAD WHITE		pz	1
7	09452005	REAR FENDER XX MY23		pz	1
8	07662005	FORK SLIDER PROTECTORS (PAIR)		pz	1
9	07437005	OFF-ROAD KNOB PAIR		pz	1
10	06330005	PEDAL BRAKE		pz	1
11	05983005	SHIFT PEDAL ASSY		pz	1
12	06339005	FOOTREST 2		pz	1
13	06338005	FOOTREST 1		pz	1
14	06293005	HANDLEBAR		pz	1
15	08740005	LEVA FRENO ANT.		pz	1
16	08295005	LEVER 1		pz	1