



Spare parts catalogue  
**XEF 450 MY23-MY24**

# Index

0 - Models .....	4
1 - Frame .....	6
2 - Swingarm .....	9
<b>SHOCK ABSORBER ASSY REAR .....</b>	<b>11</b>
4 - Steering plates .....	13
5 - Fork .....	15
6 - Front wheel .....	17
7 - Rear wheel .....	19
8 - Front brake .....	21
9 - Rear brake .....	23
10 - Radiators .....	26
11 - Fuel .....	28
12 - Aspiration .....	30
13 - Exhaust .....	33
14 - Controls .....	35
15 - Front Bodywork .....	38
16 - Tank bodywork .....	40
17 - Rear bodywork .....	42
18 - Wiring XEF .....	45
19 - Booklets - Decalco .....	48
20 - Crankcase .....	50
21 - Crankcase covers .....	52
22 - Head - Cylinder .....	54
23 - Valves .....	56
24 - Distribution .....	58
25 - Crankshaft .....	60
26 - Clutch .....	62
27 - Water pump .....	64
28 - Oil Pump .....	66
29 - Oil filter .....	68

<b>30 - Shift control</b> .....	70
<b>31 - Desmodromic</b> .....	72
<b>32 - Gear Shift</b> .....	74
<b>33 - Starting Motor</b> .....	76
<b>34 - Wheel starter</b> .....	78
<b>35 - Flywheel</b> .....	80
<b>100 - Suggested Spare Parts 4 Stroke</b> .....	82
<b>101 - Suggested Spare Parts 4 Stroke</b> .....	84

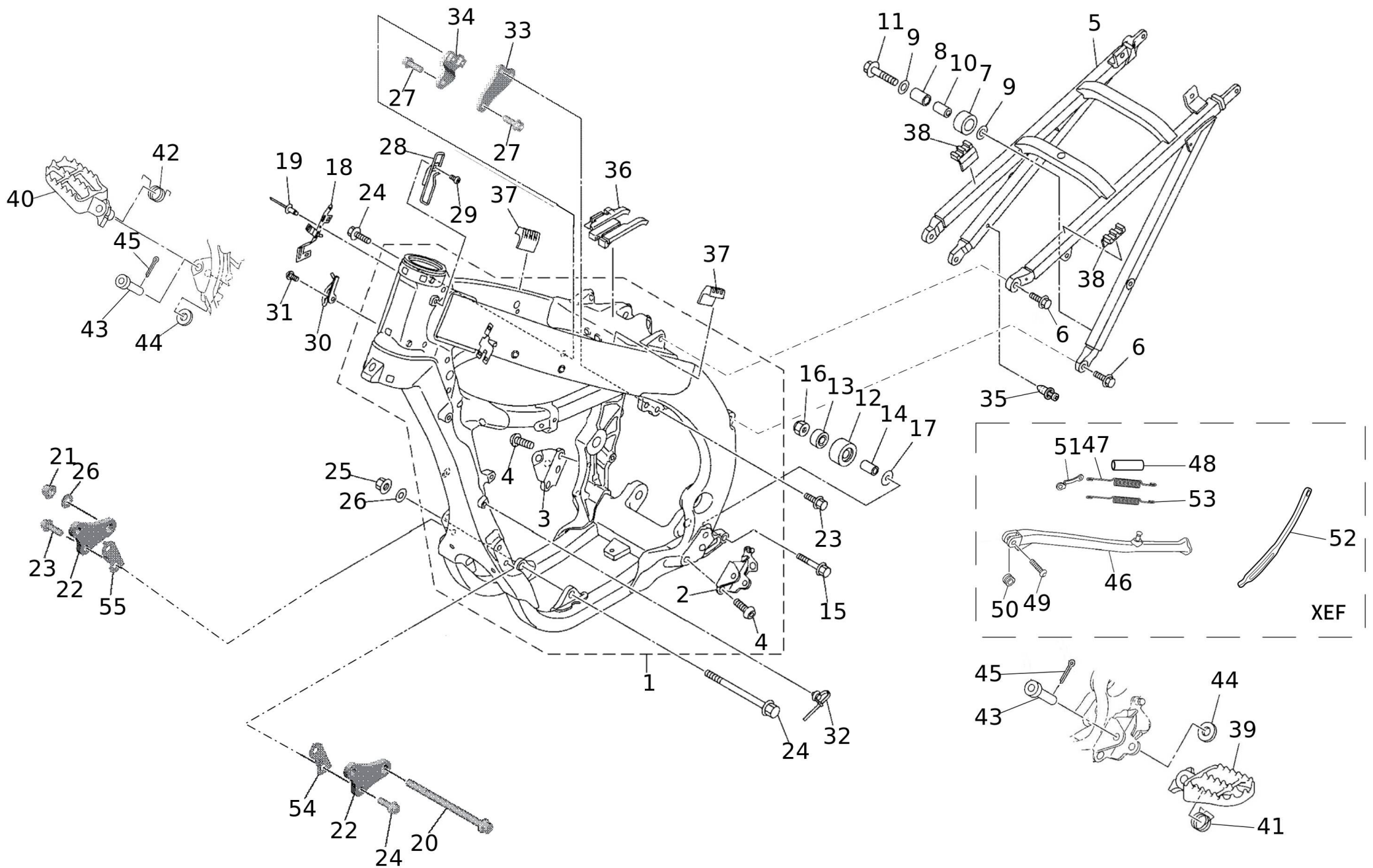


**XEF 450**  
XEF



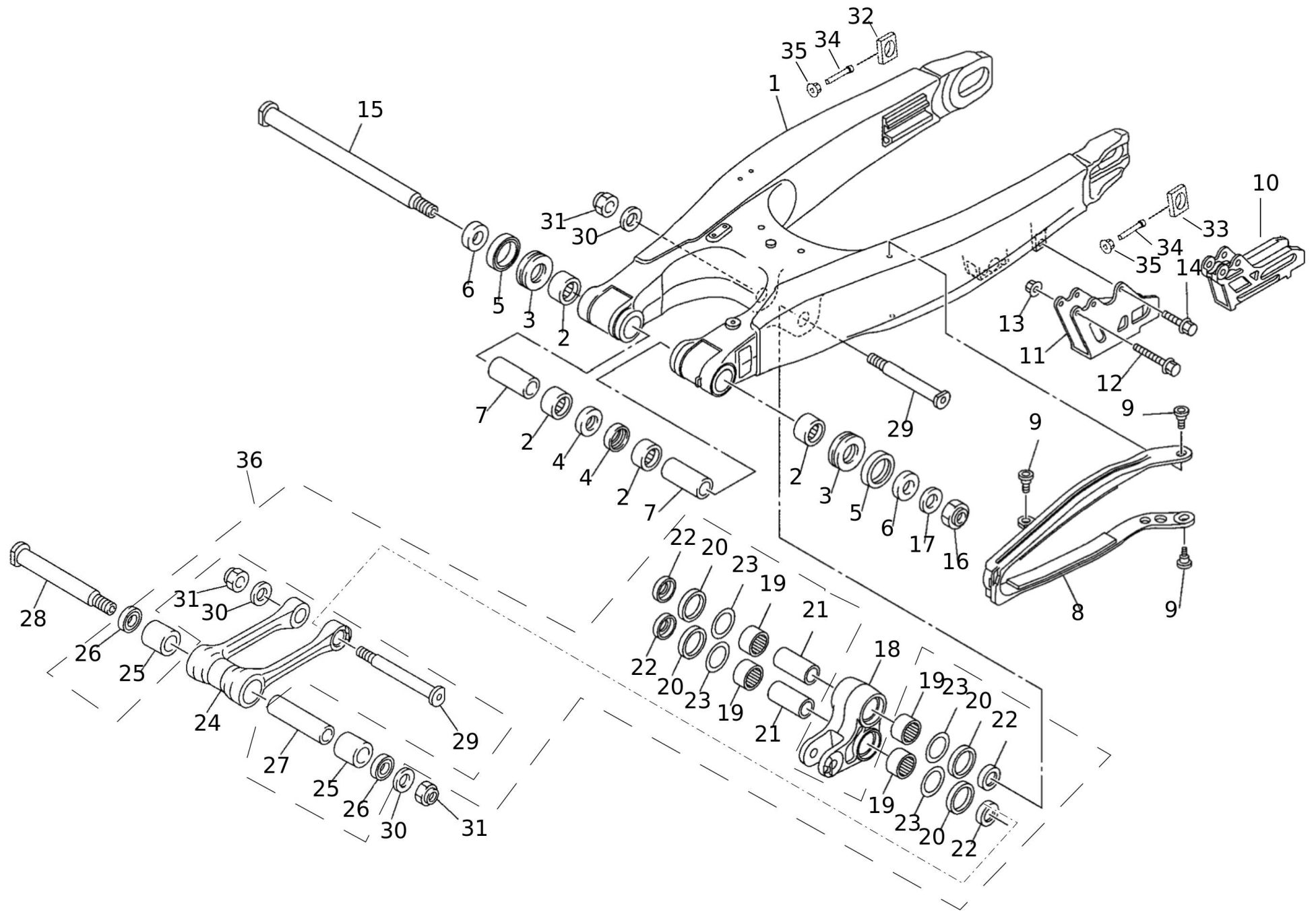
#	Code	Description	Specification	UM	Qty
---	------	-------------	---------------	----	-----



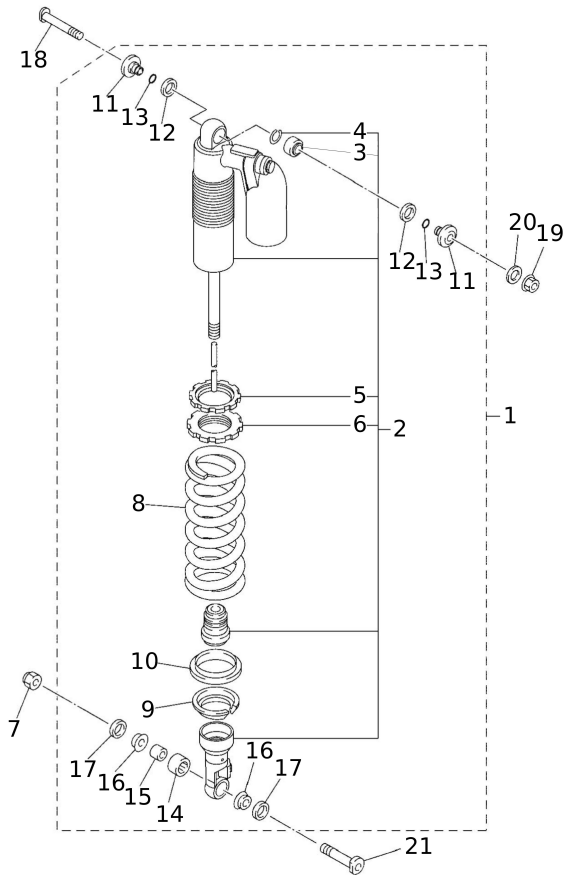


#	Code	Description	Specification	UM	Qty
1	06928020	GRUPPO TELAIO ANTERIORE	XEF	pz	1
2	06929005	SUPPORTO PEDANA SX	XEF	pz	1
3	06930005	SUPPORTO PEDANA DX		pz	1
4	05997005	SCREW		pz	4
5	06931005	TELAIETTO POSTERIORE		pz	1
5	08402005	FRAME	XEF	pz	1
6	06932005	BOLT FLANGE		pz	4
7	06004005	TENDITORE SUPERIORE CATENA		pz	1
8	06005005	COLLAR		pz	1
9	06006005	RONDELLA 26X8.2X1.6		pz	2
10	06007005	COLLAR		pz	1
11	06933005	VITE 8X40 (TF 24) TE10 FLANGIA 14.5		pz	1
12	06934005	TENDITORE INFERIORE CATENA		pz	1
13	06010005	BEARING		pz	1
14	06011005	COLLAR		pz	1
15	06935005	BOLT FLANGE		pz	1
16	06013005	DADO M8XH7.9 (CH. 13) AUTOBLOCCANTE		pz	1
17	06014005	WASHER PLATE		pz	1
18	06936005	STAFFA PORTA CONNETTORI TELAIO DX	XEF	pz	1
19	06937005	RIVETTO CIECO		pz	2
20	06938005	VITE 10X145 (PASSO 1.25, TF27) FLANGIA19		pz	1
21	06016005	DADO M10XH9 (CH.14) FLANGIATO		pz	1
22	06939005	SUPPORTO ANTERIORE BASSO 1	XEF	pz	2
23	06941005	BOLT FLANGE		pz	8
24	06022005	VITE M10X130 (T.F. 33) TE FLANGIATA		pz	1
25	06016005	DADO M10XH9 (CH.14) FLANGIATO		pz	1
26	06350005	WASHER		pz	2
27	06942005	VITE 10X30 (PASSO 1.25) TE14 FLANGIA 19		pz	2
28	06946005	PASSACAVO		pz	1
29	06947005	VITE M6X10 TBB (CH T4)		pz	1
30	08522005	PASSACAVO	XEF	pz	1
31	06947005	VITE M6X10 TBB (CH T4)		pz	1
32	06949005	FASCETTA		pz	1
33	07327005	SUPPORTO POSTERIORE ALTO 1		pz	1
34	07328005	SUPPORTO POSTERIORE ALTO 2		pz	1
35	06951005	RIVETTO		pz	1
36	06952005	GOMMINO TELAIO 1		pz	1
37	06953005	GOMMINO TELAIO 2		pz	2
38	06954005	GOMMINO TELAIO 3		pz	2
39	08531005	PEDANA SINISTRA		pz	1

#	Code	Description	Specification	UM	Qty
40	08532005	PEDANA DESTRA		pz	1
41	07083005	MOLLA DI TORSIONE	XEF	pz	1
42	06341005	MOLLA DI TORSIONE		pz	1
43	06342005	SPINA		pz	2
44	06343005	WASHER PLATE		pz	2
45	06344005	COPPIGLIA DEL PERNO		pz	2
46	07084005	STAND SIDE	XEF	pz	1
47	08562005	MOLLA CAVALLETTO XEF ESTERNA	XEF	pz	1
48	07086005	GUAINA MOLLA CAVALLETTO	XEF	pz	1
49	07087005	BOLT,HEX. SOCKET BUTTON	XEF	pz	1
49	07668005	PERNO RITORNO CAVALLETTO XE/XEF	XEF	pz	1
50	07088005	COLLAR	XEF	pz	1
51	07089005	PIASTRINA DI COLLEGAMENTO	XEF	pz	1
52	08152005	KICKSTAND BAND	XEF	pz	1
53	07420005	MOLLA CAVALLETTO XEF INTERNA	XEF	pz	1
54	06940005	SUPPORTO ANTERIORE BASSO 2	XEF	pz	2
55	06940005	SUPPORTO ANTERIORE BASSO 2	XEF	pz	2

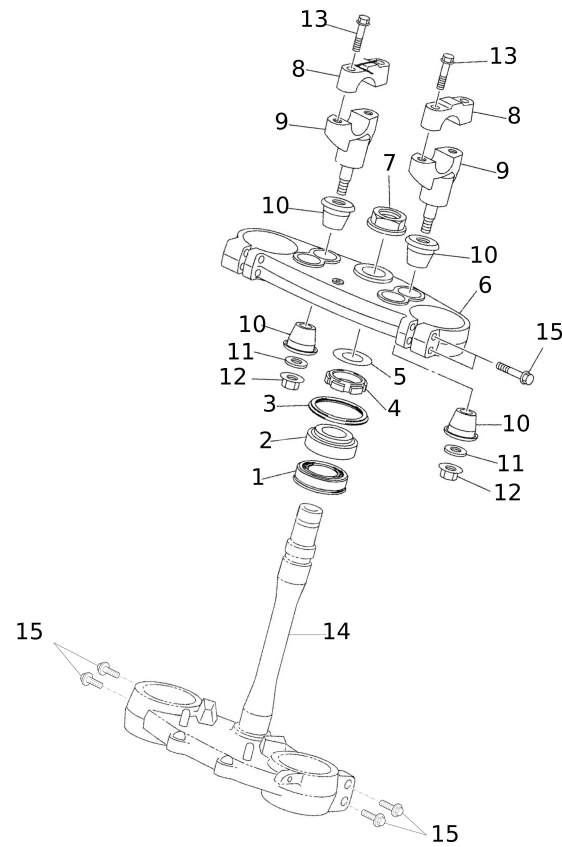


#	Code	Description	Specification	UM	Qty
1	08540005	REAR ARM COMP.	XEF	pz	2
2	06034005	BEARING		pz	2
3	06035005	BEARING		pz	2
4	06036005	OIL SEAL		pz	2
5	06037005	OIL SEAL		pz	2
6	06981005	COLLAR		pz	1
7	06984005	COLLAR		pz	3
8	06985005	SEAL GUARD		pz	1
9	06041005	SCREW		pz	1
10	06042005	SUPPORT CHAIN		pz	2
11	06043005	COVER THRUST		pz	2
12	06044005	BOLT FLANGE		pz	1
13	06625005	DADO M6XH6 (CH. 10) FLANGIATO		pz	1
14	06617005	BOLT FLANGE DEEP RECESS		pz	1
15	06986005	SHAFT PIVOT		pz	1
16	06048005	NUT SELF-LOCKING		pz	1
17	06049005	WASHER PLATE		pz	4
18	06987005	ARM RELAY		pz	4
19	06051005	BEARING		pz	2
20	06052005	OIL SEAL		pz	4
21	06988005	COLLAR		pz	4
22	06054005	WASHER		pz	1
23	06055005	WASHER		pz	2
24	06989005	ROD CONNECTING		pz	2
25	06051005	BEARING		pz	1
26	06058005	OIL SEAL		pz	1
27	06059005	COLLAR		pz	2
28	06990005	SHAFT 1		pz	3
29	06991005	SHAFT 2		pz	3
30	06062005	WASHER		pz	1
31	06063005	NUT SELF-LOCKING		pz	1
32	06253005	PULLER CHAIN 1	XEF	pz	2
33	06254005	PULLER CHAIN 2	XEF	pz	2
34	06255005	BOLT		pz	1
35	05627005	NUT		pz	1
36	09099005	KIT CUSCINETTI-PARAOLI LEVERAGGI		pz	1

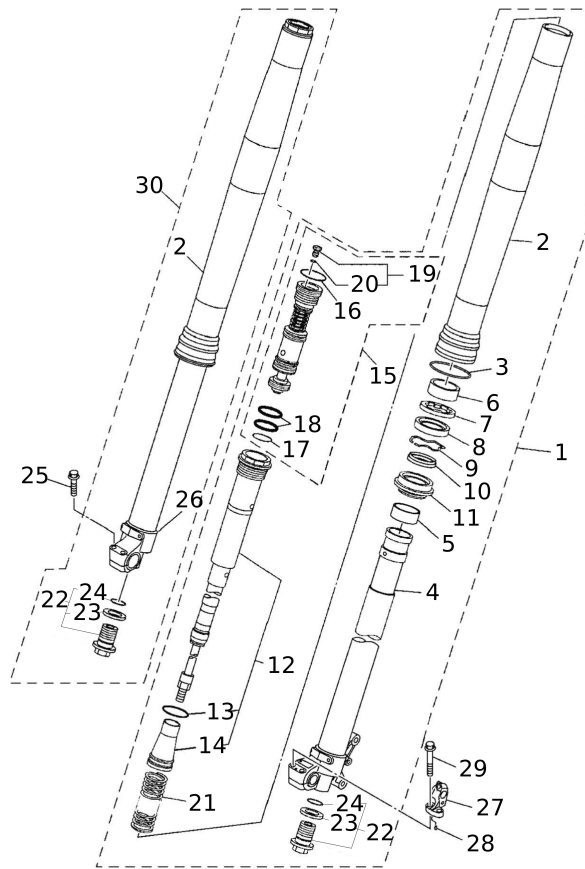


#	Code	Description	Specification	UM	Qty
1	07330020	SHOCK ABSORBER ASSY, REAR	XEF	pz	1
2	09387001	DAMPER	XEF	pz	1
3	06070005	BUSH SHOCK ABSORBER		pz	1
4	06071005	CIRCLIP		pz	1
5	06994005	GUIDE SPRING 3		pz	1
6	06995005	SEAT SPRING UPPER		pz	1
7	06089005	NUT SELF-LOCKING		pz	1
8	07141005	SPRING (K=52 BLACK)	Accessory	pz	1
8	07142005	SPRING (K=54 BLACK)	Accessory	pz	1
8	07143005	SPRING (K=56 BLACK)	STD XEF	pz	1
8	07145005	SPRING (K=60 BLACK)	Accessory	pz	1
8	07146005	SPRING (K=50 BLACK)	Accessory	pz	1
8	07147005	SPRING (K=48 BLACK)	Accessory	pz	1
9	06996005	GUIDE SPRING 1		pz	1
10	06997005	GUIDE SPRING 2		pz	1
11	06078005	COLLAR DISTANCE		pz	2
12	06079005	SEAL DUST		pz	2
13	06080005	SEAL RING		pz	2
14	06081005	BEARING		pz	1
15	06082005	BEARING		pz	1
16	06083005	COLLAR DISTANCE		pz	2
17	06084005	SEAL DUST		pz	2
18	06085005	BOLT		pz	1
19	06086005	NUT S/L FLANGE		pz	1
20	06017005	WASHER		pz	1
21	06088005	BOLT		pz	1

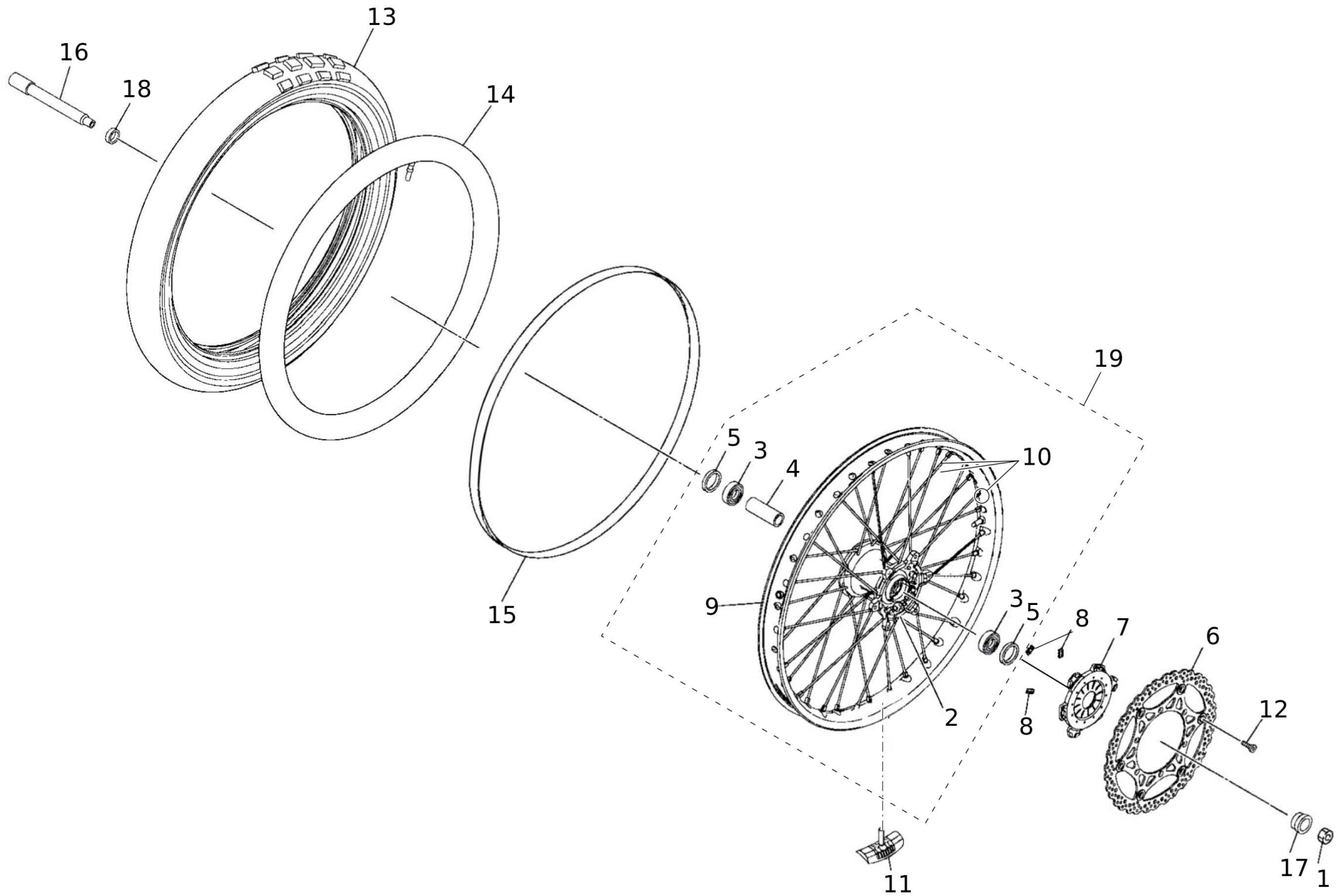




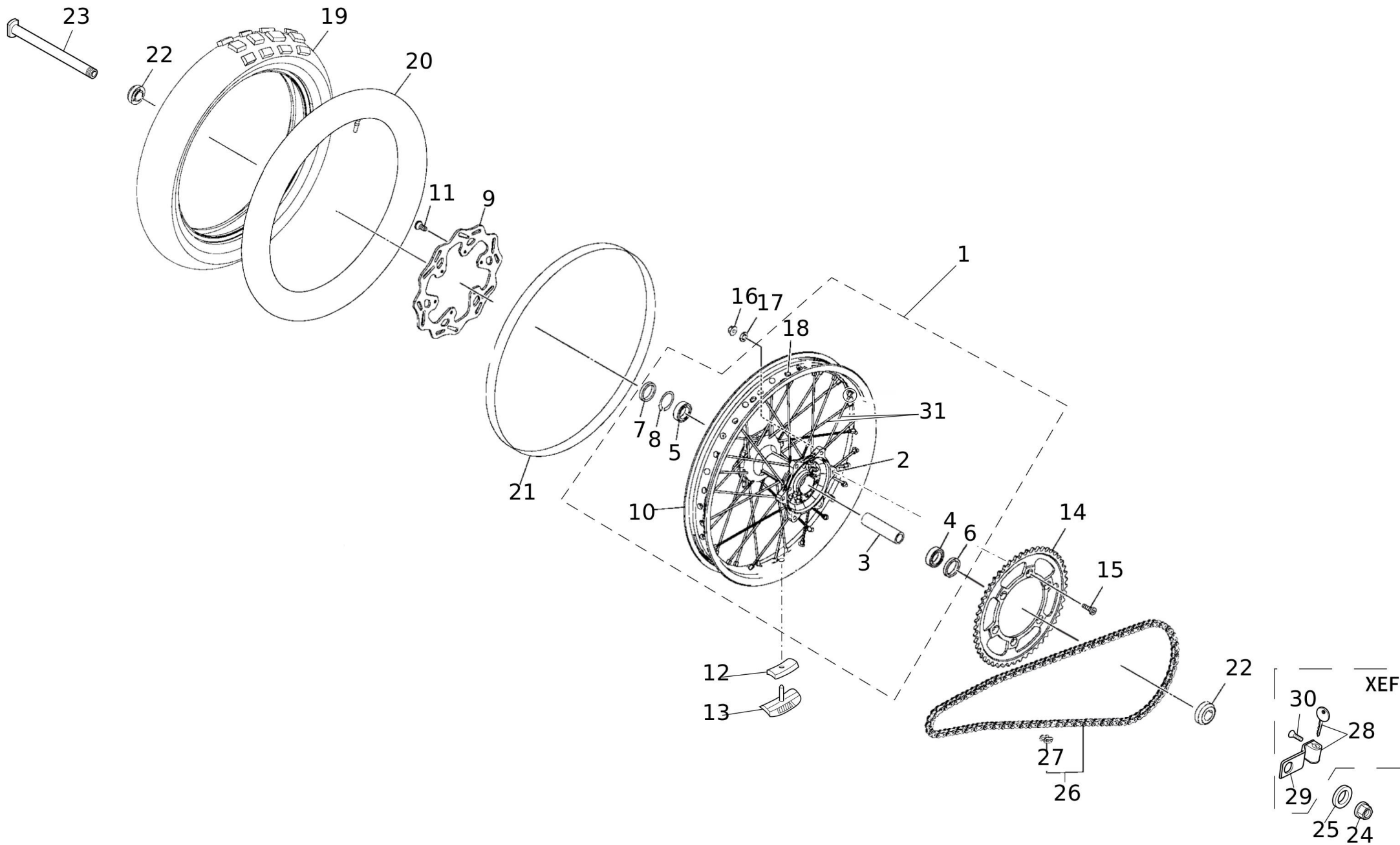
#	Code	Description	Specification	UM	Qty
1	06154005	BEARING		pz	1
2	06093005	BEARING		pz	1
3	06998005	COVER BALL RACE 2		pz	1
4	06999005	NUT		pz	1
5	07000005	WASHER PLATE	XEF	pz	1
6	08536005	CROWN HANDLE		pz	1
7	07002005	NUT		pz	1
8	08533005	SUPPORTO SUPERIORE MANUBRIO		pz	2
9	08534005	HOLDER HANDLE LOWER		pz	2
10	07005005	HOLDER DAMPER		pz	4
11	07006005	WASHER PLATE		pz	2
12	06086005	NUT S/L FLANGE		pz	2
13	08541005	VITE M8x30 FLANGIA 14.5 (CH. 10) INCASSO PROFONDO		pz	4
14	07018005	UNDER BRACKET COMP.	XEF	pz	1
15	07007005	BOLT FLANGE DEEP RECESS		pz	8



#	Code	Description	Specification	UM	Qty
1	09222020	FRONT FORK ASSY (L.H)	XEF	pz	1
2	07009005	.TUBE, OUTER		pz	2
3	06107005	CIRCLIP		pz	2
4	07010005	.INNERTUBECOMP. 2	XEF	pz	1
5	06109005	SPACER FRONT FORK		pz	2
6	06110005	METAL SLIDE 1		pz	2
7	06111005	WASHER OIL SEAL		pz	2
8	07011005	OIL SEAL		pz	2
9	06113005	RING SNAP		pz	2
10	07012005	SCRAPER	XEF	pz	2
11	06114005	SEAL DUST		pz	2
12	09224005	CYLINDER COMP., FRONT FORK	XEF	pz	2
13	09192005	O-RING		pz	2
14	07013005	SEAT SPRING UPPER		pz	2
15	09225005	GRUPPO VALVOLA BASE	XEF	pz	2
16	09194005	O-RING		pz	2
17	06121005	O-RING		pz	2
18	09195005	O-RING		pz	4
19	06123005	AIR VALVE COMP.		pz	2
20	09198005	O-RING		pz	2
21	07015005	SPRING FRONT FORK (K=4.6)	STD XEF	pz	2
21	07148005	SPRING FRONT FORK (K=4.5)	Accessory	pz	2
21	07149005	SPRING FRONT FORK (K=4.7)	Accessory	pz	2
21	07150005	SPRING FRONT FORK (K=4.8)	Accessory	pz	2
21	07151005	SPRING FRONT FORK (K=4.9)	Accessory	pz	2
21	07153005	SPRING FRONT FORK (K=5.1)	Accessory	pz	2
21	07154005	SPRING FRONT FORK (K=4.1)	Accessory	pz	2
21	07155005	SPRING FRONT FORK (K=4.2)	Accessory	pz	2
21	07156005	SPRING FRONT FORK (K=4.3)	Accessory	pz	2
21	07157005	SPRING FRONT FORK (K=4.4)	Accessory	pz	2
22	09199005	BOLT ADJUSTING		pz	2
23	06127005	GASKET		pz	2
24	09200005	GASKET		pz	2
25	07007005	BOLT FLANGE DEEP RECESS		pz	2
26	07017005	.INNER TUBE COMP.1	XEF	pz	1
27	07020005	BRACKET 1	XEF	pz	1
28	07021005	PIN DOWEL	XEF	pz	2
29	07022005	BOLT FLANGE DEEP RECESS	XEF	pz	2
30	09226005	GRUPPO FORCELLA ANTERIORE DESTRA	XEF	pz	1

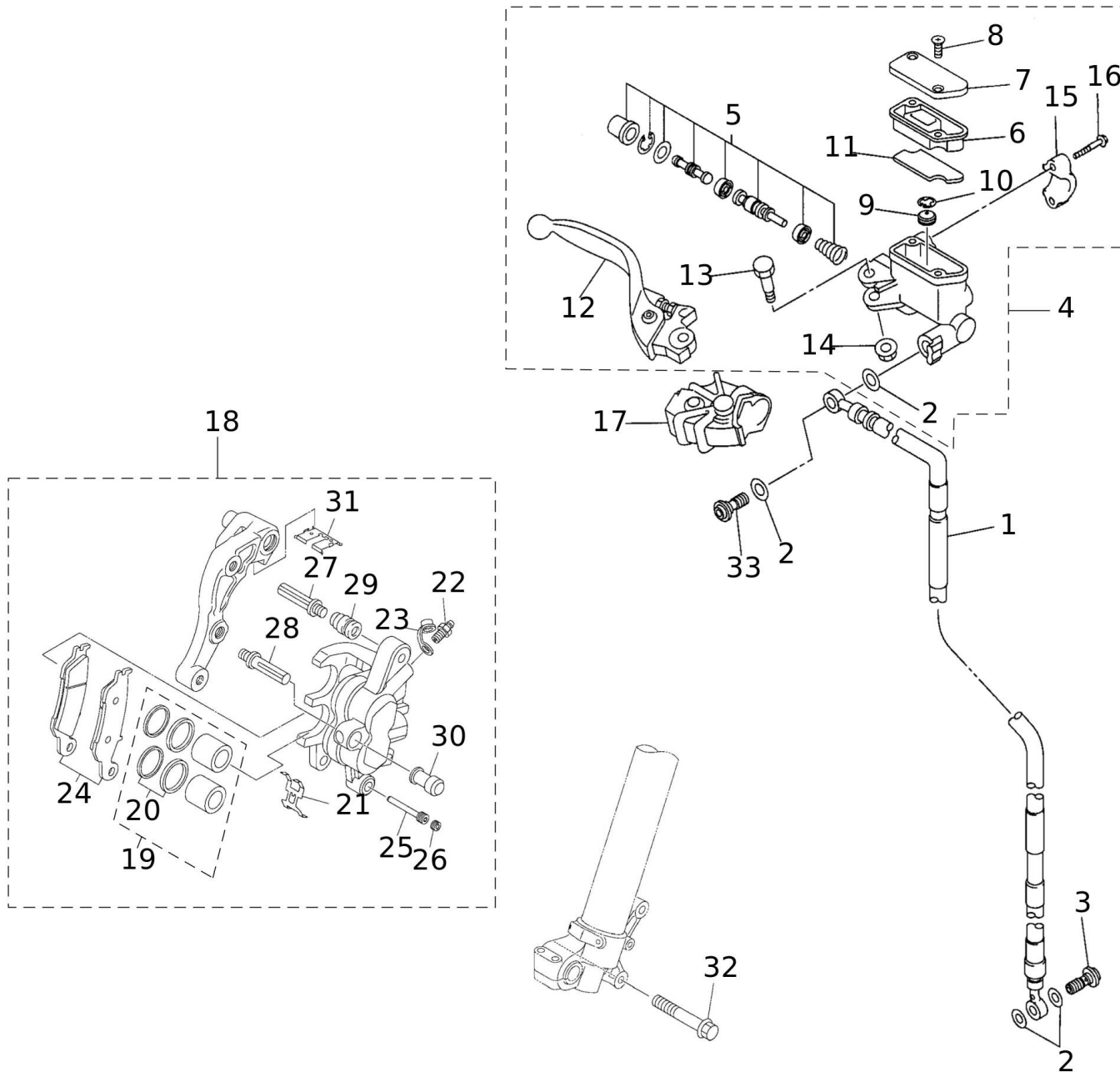


#	Code	Description	Specification	UM	Qty
1	07057005	NUT		pz	1
2	08154005	HUB FRONT		pz	1
3	07048005	BEARING		pz	2
4	07049005	SPACER BEARING		pz	1
5	07050005	OIL SEAL		pz	2
6	08424005	FR. BRAKE DISK ASSY	XEF	pz	1
7	07058005	ROTOR SENSOR	XEF	pz	1
8	07059005	GROMMET	XEF	pz	3
9	08131005	CERCHIO (1.60-21) NERO	XEF	pz	1
10	06201005	SPOKE SET FRONT		pz	1
11	06205005	SPACER BEAD		pz	1
12	06212005	SCREW COUNTERSUNK		pz	6
13	08441005	TIRE	XEF	pz	1
14	00234005	INNER TUBE-FRONT 21" CASA		pz	1
15	07531005	FLAP R21 1430 X 22		pz	1
16	08530005	AXLE WHEEL		pz	1
17	07052005	COLLAR WHEEL	XEF	pz	1
18	07053005	COLLAR WHEEL		pz	1
19	09367020	CERCHIO RAGGIATO ANT XEF 250 MY22	XEF	pz	1

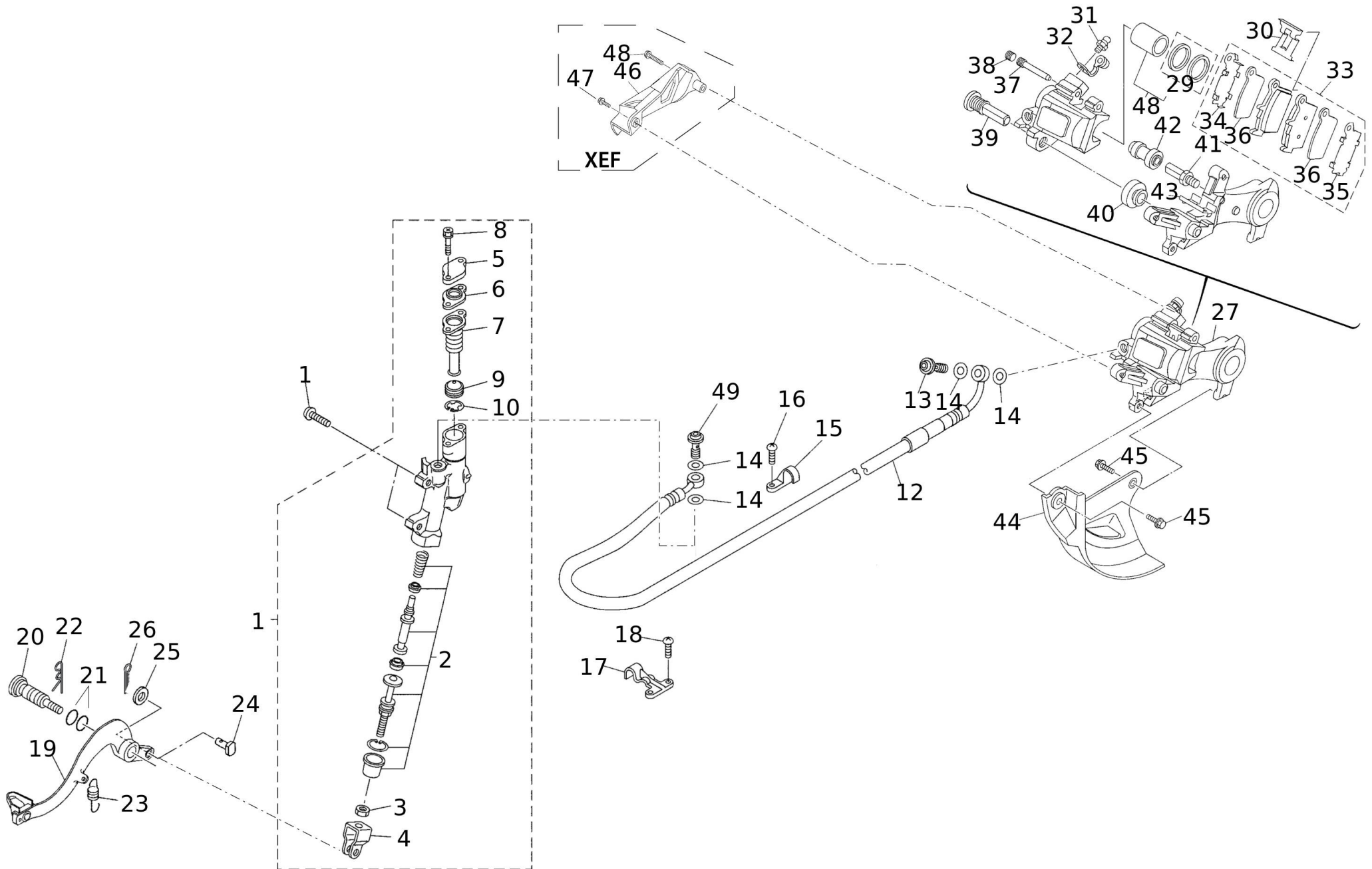


#	Code	Description	Specification	UM	Qty
1	09061020	RR. RIM XE 125 ASSY	XE	pz	1
2	06228005	MOZZO POSTERIORE	XE	pz	1
3	06229005	SPACER BEARING	XE	pz	1
4	06230005	BEARING	XE	pz	1
5	06231005	BEARING	XE	pz	1
6	06232005	OIL SEAL	XE	pz	1
7	06233005	OIL SEAL	XE	pz	1
8	06234005	CIRCLIP	XE	pz	1
9	06270005	DISCO FRENO POSTERIORE 2	XE	pz	1
10	08132005	RIM (2.15-18)	XE	pz	1
11	06212005	SCREW COUNTERSUNK		pz	6
12	06267005	SPACER BEAD		pz	1
13	06241005	DAMPER		pz	1
14	07060005	SPROCKET DRIVEN (51T)	XE	pz	1
14	07061005	SPROCKET DRIVEN (48T)	XE	pz	1
14	07062005	SPROCKET DRIVEN (50T)	XE	pz	1
14	07063005	SPROCKET DRIVEN (52T)	XE	pz	1
14	07594005	CORONA GOMMATA 520 Z48	STD XE	pz	1
15	06248005	BOLT		pz	6
16	06249005	NUT SELF-LOCKING		pz	6
17	06014005	WASHER PLATE		pz	6
18	06251005	GROMMET		pz	1
19	08485005	PNEUMATICO 140/80-18 METZELER 6 DAYS	XE	pz	1
20	08454005	INNER TUBE	XE	pz	1
21	07530005	FLAP R18 1290 X 27	XE	pz	1
22	07596005	COLLARINO	XE	pz	2
23	06257005	AXLE WHEEL	XE	pz	1
24	06258005	NUT SELF-LOCKING	XE	pz	1
25	06259005	WASHER PLATE	XE	pz	1
26	06268005	CHAIN 520 114 LINKS WITH MASTER JOINT	XE	pz	1
27	06269005	JOINT CHAIN(DID520MXV5 ZJ)	XE	pz	1
28	07386005	REAR SPROCKET LOCK XE/XE	XE	pz	1
29	07393005	REAR SPROCKET LOCK SUPPORTING BRACKET	XE	pz	1
30	07444005	M6X12 SCREW COUNTERSUNK	XE	pz	2
31	06263005	SPOKE SET REAR	XE	pz	1



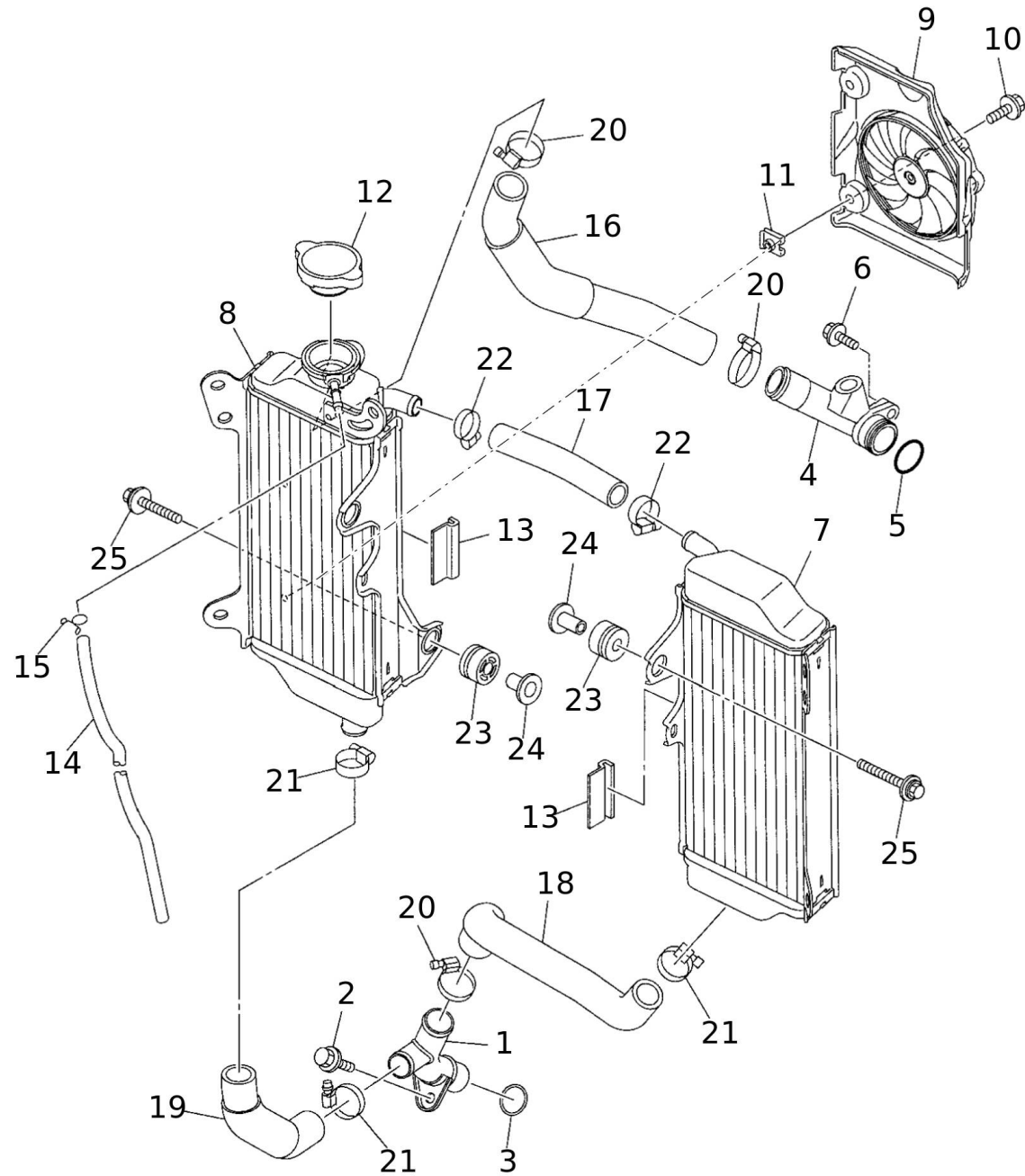


#	Code	Description	Specification	UM	Qty
1	07077005	TUBO FRENO 1	XEF	pz	1
2	06313005	GASKET		pz	4
3	06314005	BOLT UNION		pz	1
4	09075020	FR. MASTER CYLINDER ASSY XX MY22		pz	1
5	06316005	CYLINDER KIT MASTER		pz	1
6	06317005	DIAPHRAGM RESERVOIR		pz	1
7	06318005	CAP RESERVOIR		pz	1
8	06319005	SCREW FLAT HEAD		pz	2
9	06320005	SEPARATOR ASSY		pz	1
10	06321005	CIRCLIP		pz	1
11	06322005	FLOAT RESERVOIR		pz	1
12	08740005	LEVA FRENO ANT.		pz	1
13	06324005	BOLT LEVER		pz	1
14	06325005	NUT WITH WASHER		pz	1
15	06326005	BRACKET MASTER CYLINDER		pz	1
16	06327005	BOLT FITTING		pz	2
17	06328005	COVER HANDLE LEVER 1		pz	1
18	08428005	ASSIEME PINZA FRENO ANT		pz	1
19	08426001	PISTON ASSY CALIPER		pz	1
20	08460001	CALIPER SEAL KIT		pz	1
21	08462001	SUPPORT PAD		pz	1
22	06217005	DRAIN SCREW		pz	1
23	06218005	CAPPUCCIO		pz	1
24	08739005	PASTIGLIE FRENO ANT		pz	1
25	06220005	PIN PAD		pz	1
26	06221005	PLUG		pz	1
27	06222005	SCREW, PAN HEAD		pz	1
28	06223005	PIN SLIDE		pz	1
29	06224005	BOOT CALIPER		pz	1
30	06225005	BOOT 2		pz	1
31	06226005	RETAINER CALIPER		pz	1
32	06227005	BOLT FLANGE		pz	2
33	03259005	STOP SWITCH	XEF	pz	1

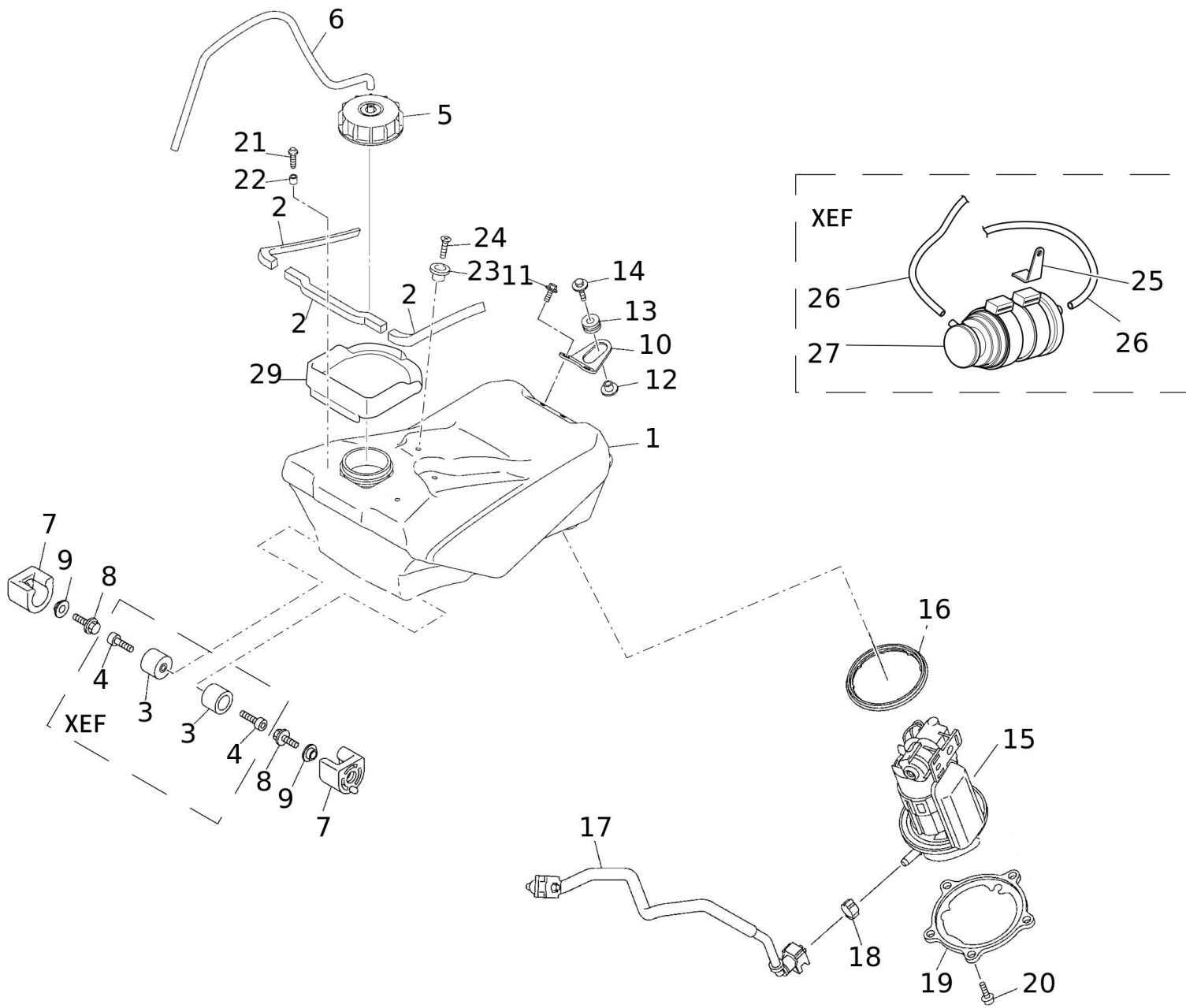


#	Code	Description	Specification	UM	Qty
1	07090020	RR. MASTER CYLINDER ASSY.		pz	1
2	06355005	CYLINDER KIT MASTER		pz	1
3	06356005	NUT		pz	1
4	06357005	JOINT		pz	1
5	06358005	CAP RESERVOIR		pz	1
6	06359005	PLATE DIAPHRAGM		pz	1
7	06360005	DIAPHRAGM RESERVOIR		pz	1
8	06361005	BOLT		pz	2
9	06320005	SEPARATOR ASSY		pz	1
10	06321005	CIRCLIP		pz	1
11	07091005	BOLT,HEX. SOCKET BUTTON		pz	2
12	06365005	TUBO FRENO 2	XEF	pz	1
13	06314005	BOLT UNION		pz	1
14	06313005	GASKET		pz	4
15	06368005	HOLDER BRAKE HOSE		pz	1
16	06369005	SCREW PAN HEAD		pz	2
17	06370005	HOLDER BRAKE HOSE 2		pz	1
18	06369005	SCREW PAN HEAD		pz	2
19	07337005	PEDAL, BRAKE		pz	1
20	07079005	BOLT		pz	1
21	06332005	O-RING		pz	2
22	06333005	CIRCLIP		pz	1
23	07338005	SPRING TENSION		pz	1
24	06335005	SPINA		pz	1
25	06336005	WASHER PLATE		pz	1
26	06337005	COPPIGLIA DEL PERNO		pz	1
27	07065020	CALIPER ASSY, REAR 2	XEF	pz	1
28	06273005	PISTON ASSY CALIPER		pz	1
29	06274005	CALIPER SEAL KIT		pz	1
30	06275005	RETAINER CALIPER		pz	1
31	06217005	DRAIN SCREW		pz	1
32	06218005	CAPPUCCIO		pz	1
33	07066020	BRAKE PAD KIT 2	XEF	pz	1
34	06278005	SHIM CALIPER		pz	1
35	06279005	SHIM CALIPER		pz	1
36	06280005	INSULATOR HEAT		pz	2
37	06281005	PIN PAD		pz	1
38	06221005	PLUG		pz	1
39	06283005	PIN SLIDE		pz	1
40	06224005	BOOT CALIPER		pz	1

#	Code	Description	Specification	UM	Qty
41	06285005	PIN SLIDE		pz	1
42	06225005	BOOT 2		pz	1
43	06287005	RETAINER		pz	1
44	06288005	PROTECTOR DISK BRAKE		pz	1
45	06722005	VITE 6X12 TE8 FLANGIA 10.5		pz	2
46	06290005	PROTEZIONE PINZA	XEF	pz	1
47	06722005	VITE 6X12 TE8 FLANGIA 10.5	XEF	pz	1
48	08542005	BOLT FLANGE DEEP RECESS	XEF	pz	1
49	02112005	STOP SWITHC (BRAKING)	XEF	pz	1

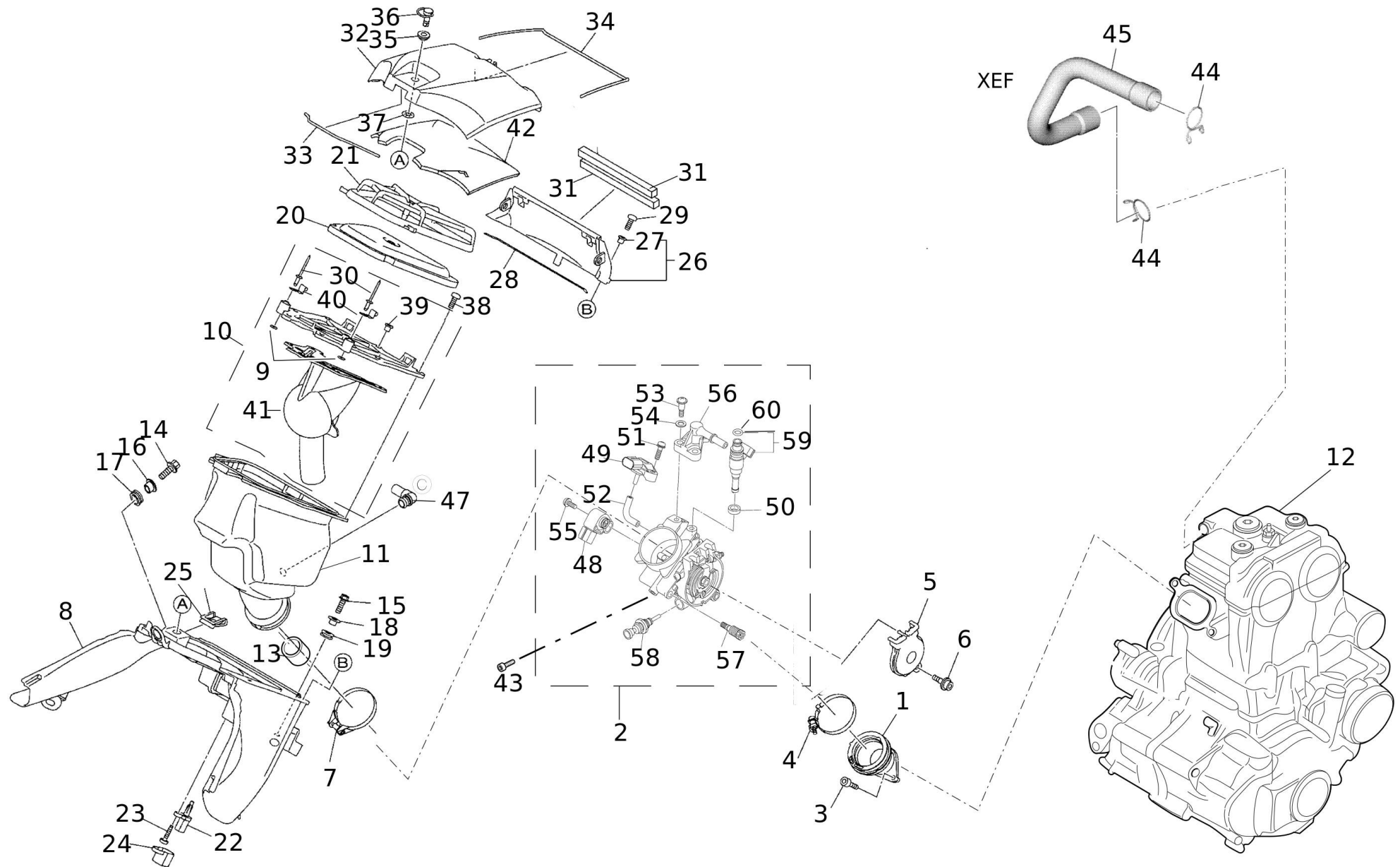


#	Code	Description	Specification	UM	Qty
1	07224005	RACCORDO 2		pz	1
2	06722005	VITE 6X12 TE8 FLANGIA 10.5		pz	1
3	06723005	O-RING		pz	1
4	09097005	RACCORDO		pz	1
5	07226005	O-RING		pz	1
6	06726005	BOLT FLANGE DEEP RECESS		pz	1
7	06727005	RADIATORE SX		pz	1
8	06728005	RADIATOR COMP	XEF	pz	1
9	06729005	VENTOLA RAFFREDDAMENTO	XEF	pz	1
10	06730005	VITE 6X12.5 TE10 CON INTAGLIO A CROCE	XEF	pz	3
11	06731005	CLIP FILETTATA	XEF	pz	3
12	06732005	TAPPO RADIATORE		pz	1
13	06733005	GOMMINO RADIATORE		pz	2
14	05713005	TUBO FLESSIBILE VINILE		pz	1
15	05714005	CLIP		pz	1
16	07227005	TUBO 1	XEF	pz	1
17	06735005	TUBO 2		pz	1
18	07228005	TUBO 3		pz	1
19	07229005	TUBO 4	XEF	pz	1
20	05722005	HOSE CLAMP ASSY		pz	2
21	05724005	HOSE CLAMP ASSY		pz	3
22	05723005	HOSE CLAMP ASSY		pz	2
23	06738005	GROMMET		pz	4
24	05726005	COLLAR		pz	4
25	06739005	VITE 6X29 TE8 CON RONDELLA		pz	4
26	07230005	HOSE CLAMP ASSY		pz	1



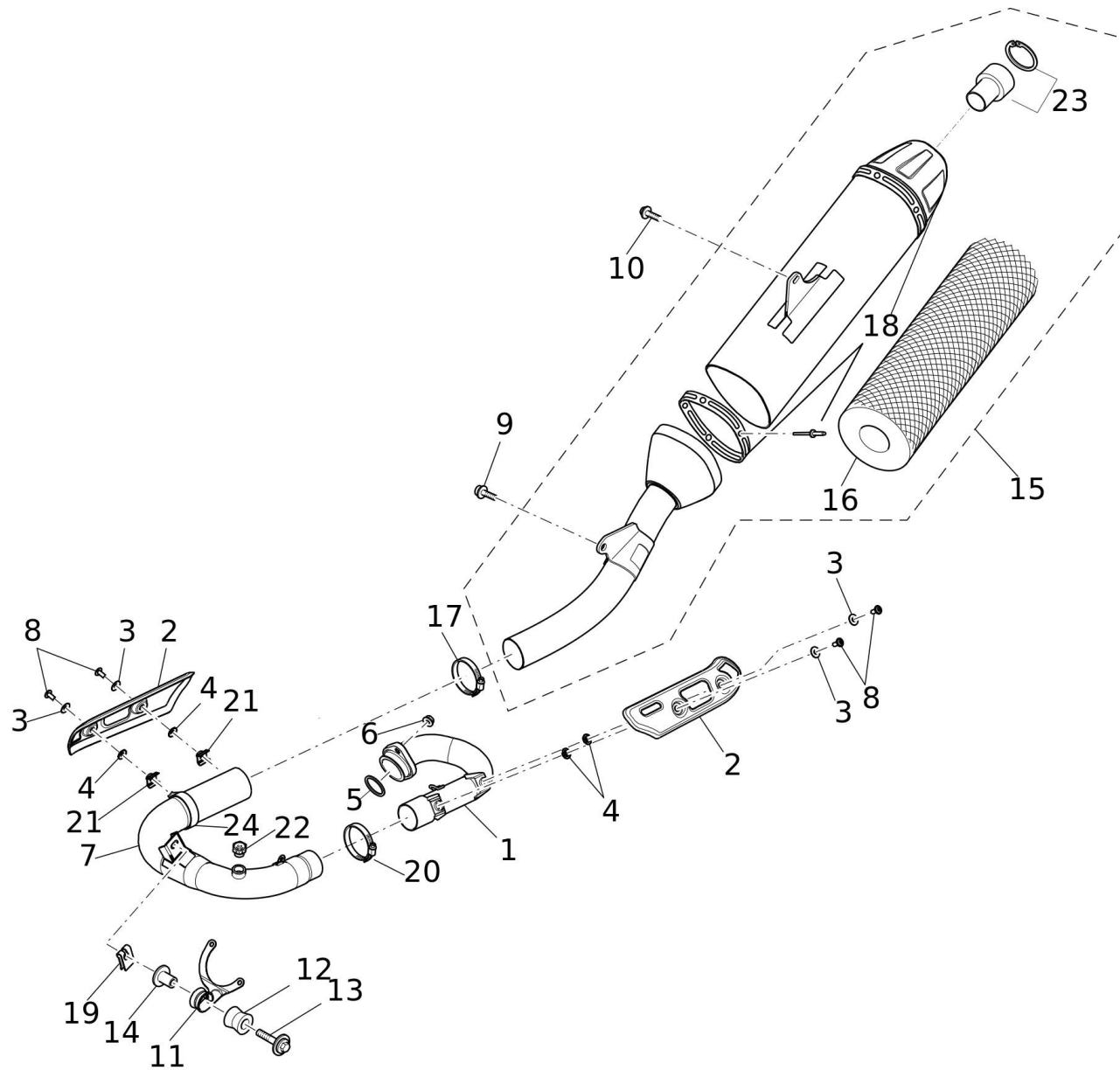


#	Code	Description	Specification	UM	Qty
1	07023005	FUEL TANK COMP.	XEF	pz	1
2	06778005	DAMPER PLATE 6		pz	3
3	07025005	BOSS	XEF	pz	2
4	07026005	BOLT, HEXAGON SOCKET HEAD	XEF	pz	2
5	07027005	CAP ASSY		pz	1
6	07028005	HOSE (L470)		pz	1
7	07029005	BRACKET FUEL TANK 1		pz	2
8	06726005	BOLT FLANGE DEEP RECESS		pz	2
9	07030005	COLLAR		pz	2
10	07031005	HOLDER		pz	1
11	06722005	VITE 6X12 TE8 FLANGIA 10.5		pz	2
12	07032005	COLLAR		pz	1
13	07033005	GROMMET		pz	1
14	07034005	BOLT WITH WASHER		pz	1
15	07035020	FUEL PUMP COMP.	XEF	pz	1
16	07038005	GASKET	XEF	pz	1
17	07041005	PIPE, FUEL 1	XEF	pz	1
18	07042005	CLAMP 1		pz	1
19	07039005	BRACKET, FUEL PUMP	XEF	pz	1
20	07040005	BOLT HEXAGON SOCKET HEAD		pz	6
21	07044005	BOLT,HEX. SOCKET BUTTON		pz	2
22	07045005	COLLAR		pz	2
23	06186005	BRACKET SEAT		pz	1
24	07043005	SCREW COUNTERSUNK		pz	1
25	08118005	HOLDER	XEF	pz	1
26	04082005	PIPE ROLLER BLACK	XEF	cm	1
27	NC450-0151	CANISTER NC450	XEF	pz	1
28	07024005	MOLD FUEL TANK		pz	1

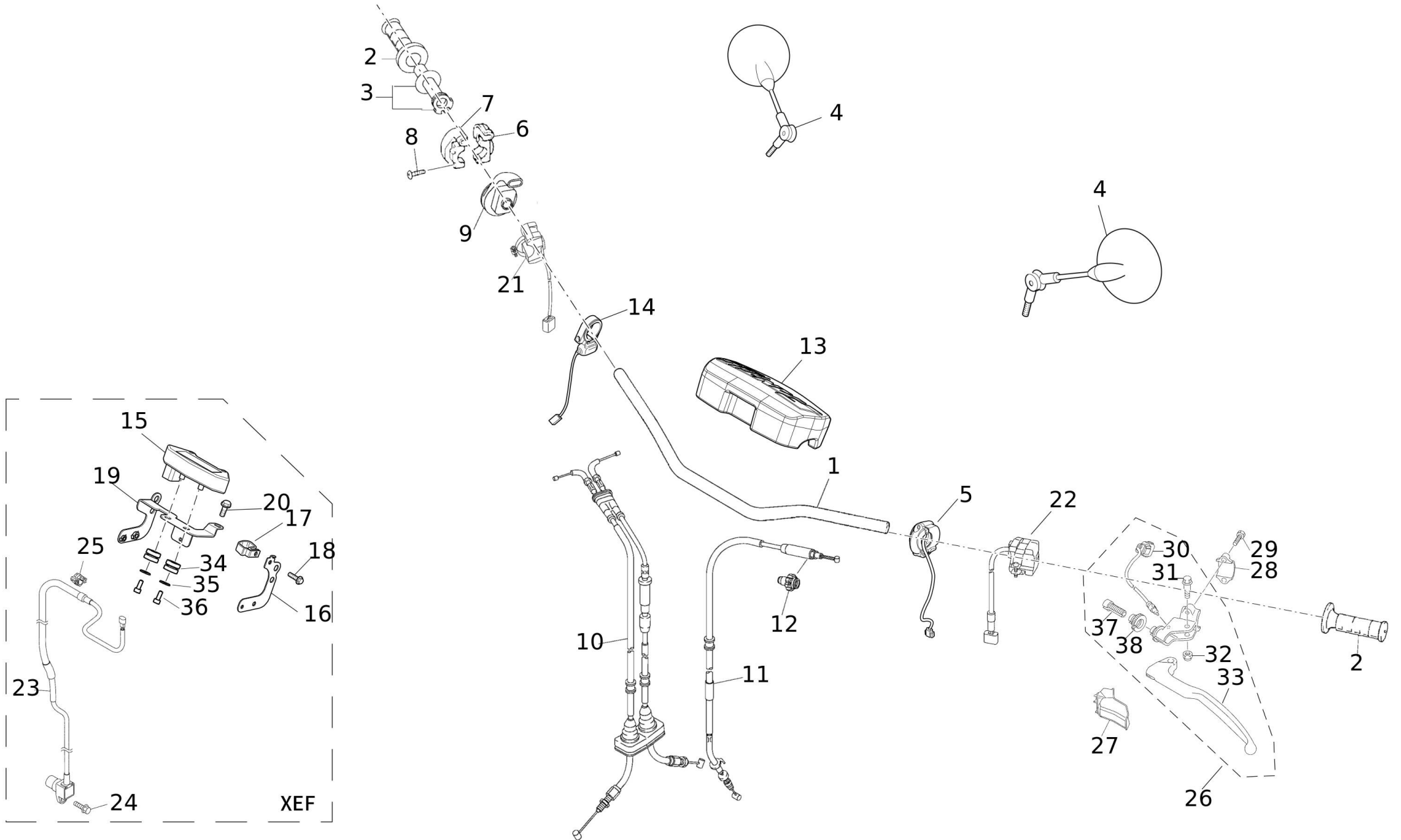


#	Code	Description	Specification	UM	Qty
1	07232005	INLET PIPE		pz	1
2	07236020	THROTTLE BODY ASSY	XEF	pz	1
3	06752005	BOLT HEXAGON SOCKET HEAD		pz	2
4	06753005	HOSE CLAMP ASSY		pz	1
5	06754005	COVER 1		pz	1
6	06755005	BOLT HEXAGON SOCKET HEAD		pz	1
7	06756005	HOSE CLAMP ASSY		pz	1
8	06757005	CASE AIR CLEANER 1		pz	1
9	06763005	WASHER PLATE		pz	2
10	06759020	HOLDER GUIDE	XEF	pz	1
10	08539020	KIT CASSA FILTRO XEF450		pz	1
11	09214005	CASSA FILTRO	XEF	pz	1
12	08520005	MOTORE COMPLETO XEF450 4T MY22	XEF	pz	1
13	08610005	STRIZIONE_ASPIRAZIONE_XEF450	XEF	pz	1
14	08367005	BOLT FLANGE		pz	1
15	06785005	VITE 6X16 TE8 FLANGIA 10.5		pz	2
16	06772005	COLLAR		pz	1
17	06773005	GROMMET		pz	1
18	06774005	COLLAR		pz	2
19	06775005	GROMMET		pz	2
20	06765005	ELEMENT, AIR CLEANER		pz	1
21	06766005	GUIDE		pz	1
22	06767005	SENSOR AIR TEMPERATURE		pz	1
23	06768005	SCREW TAPPING		pz	1
24	09295005	HOLDER		pz	1
25	06769005	PLATE SPRING		pz	1
26	06770020	CAP CLEANER CASE 2		pz	1
27	06760005	COLLAR		pz	2
28	06771005	GASKET		pz	1
29	05815005	SCREW PAN HEAD		pz	2
30	06762005	RIVET BLIND (3.2X13.5 BLACK)		pz	2
31	06778005	DAMPER PLATE 6		pz	2
32	08199005	COPERCHIO CASSA FILTRO NERO 4T		pz	1
33	06779005	GASKET		pz	1
34	06780005	GASKET		pz	1
35	06781005	COLLAR		pz	1
36	06782005	HEAD		pz	1
37	06783005	WASHER SPECIAL 1		pz	1
38	05815005	SCREW PAN HEAD		pz	7
39	06760005	COLLAR		pz	7

#	Code	Description	Specification	UM	Qty
40	06761005	HINGE		pz	2
41	06764005	CHAMBER AIR	XEF	pz	1
42	06784005	DAMPER 1	XEF	pz	1
43	04859005	SCREW	XEF	pz	1
44	07239005	CLIP		pz	2
45	09216005	TUBO SFIATO	XEF	pz	1
47	09215005	RACCORDO	XEF	pz	1
48	09095005	SENSORE ACCELEATORE		pz	1
49	06799005	SENSOR PRESSURE		pz	1
50	06787005	RUBBER INJECTOR 3		pz	1
51	06788005	SCREW		pz	1
52	06789005	RACCORDO		pz	1
53	06790005	SCREW ROD		pz	2
54	06791005	GASKET		pz	2
55	06792005	VITE 5X11 T25 FLANGIA 9 CON RONDELLA		pz	1
56	06793005	DELIVERY PIPE ASSY 1		pz	1
57	06794005	BOLT ADJUSTING		pz	1
58	06795005	STARTER SET		pz	1
59	07237020	.INJECTOR		pz	1
60	06797005	O-RING		pz	1



#	Code	Description	Specification	UM	Qty
1	08554005	COLLETTORE PRIMARIO SCARICO XEF 450	XEF	pz	1
2	07366005	BUCKLER		pz	2
3	05191005	SPRING		pz	4
4	00340005	WASHER-SPACE		pz	4
5	07241005	GUARNIZIONE MARMITTA		pz	1
6	06808005	DADO M6XH6.1 (CH. 10) FLANGIATO		pz	2
7	08555005	COLLETTORE SECONDARIO XEF 450	XEF	pz	1
8	00334005	SCREW-FLANGED 5X12		pz	4
9	07483005	BOLT WITH WASHER	XEF	pz	1
10	08223005	BOLT WITH WASHER		pz	1
11	06813005	STAY EXHAUST PIPE 1		pz	1
12	06814005	DAMPER MUFFLER		pz	1
13	06815005	BOLT WITH WASHER		pz	1
14	06816005	COLLAR		pz	1
15	08553005	SILENZIATORE XEF 450 4T ENDURO	XEF	pz	1
16	09318005	FONOASSORBENTE SILENZIATORE XEF450	XEF	pz	1
17	08745005	FASCETTA STRINGI TUBO Ø47/51mm+BUSS M5		pz	1
18	09424020	KIT FASCETTE+RIVETTI SILENZIATORE XEF	XEF XEF	pz	1
19	08743005	CLIP M8 SCARICO 4T		pz	1
20	08744005	FASCETTA STRINGI TUBO Ø43/47mm		pz	1
21	08487005	GABBIETTA PIEGATA INOX "BASSA" + BUSS M5		pz	2
22	07361005	CAP	Accessory XEF XEF	pz	1
23	08828020	KIT DB-KILLER RACING XEF450	XEF	pz	1
24	08484005	FASCETTA METALLICA A VITE ?@26/51MM		pz	1

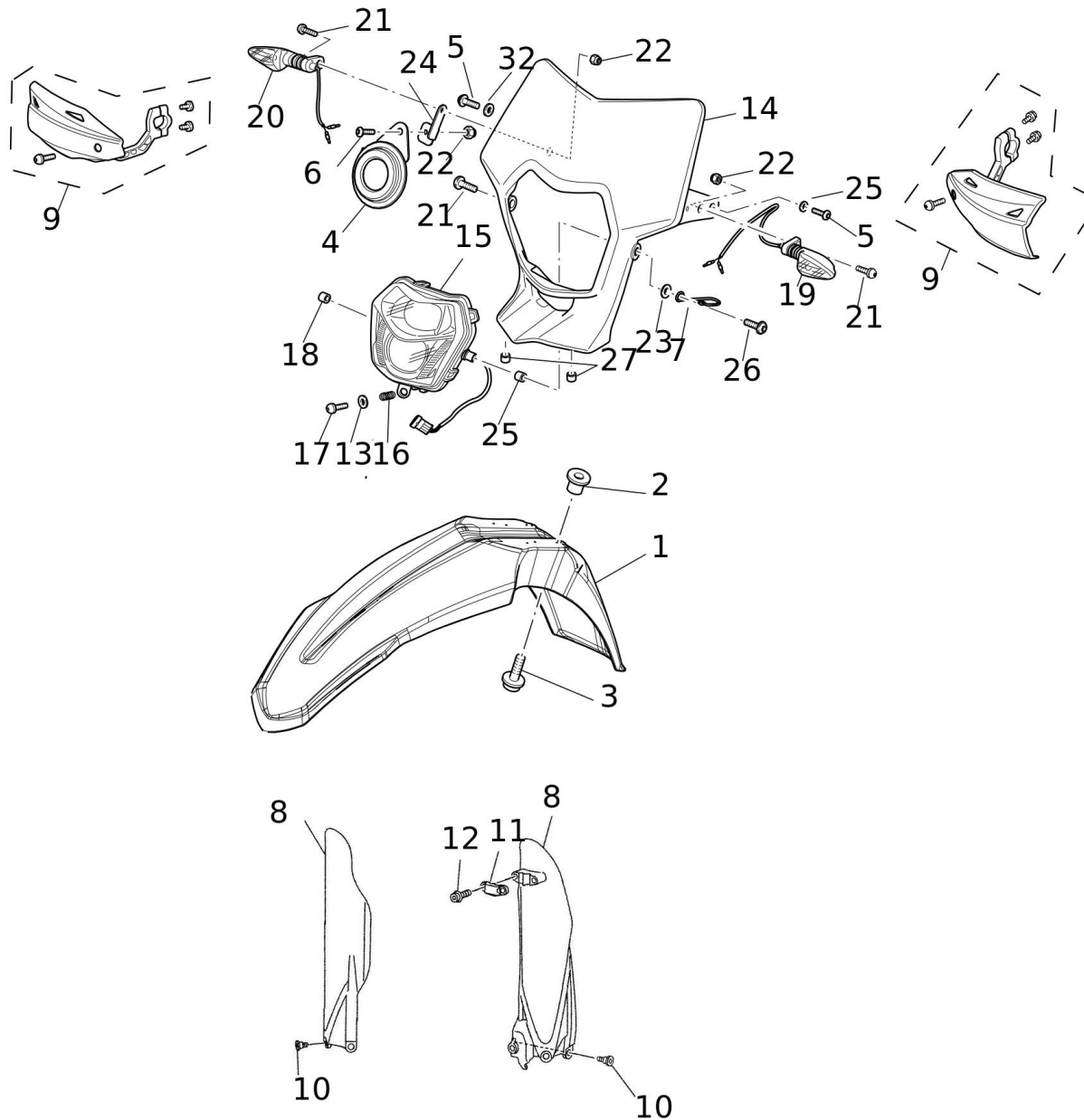


#	Code	Description	Specification	UM	Qty
1	07067005	HANDLEBAR	XE	pz	1
2	07437005	OFF-ROAD KNOB PAIR		pz	1
3	08559020	CONTROL SET		pz	1
4	07407005	REAR-VIEW MIRROR E-141 WITH IRON CLAMP	XE	pz	2
6	07070005	CAP GRIP UPPER		pz	1
7	07071005	CAP GRIP UNDER		pz	1
8	07072005	SCREW PAN HEAD		pz	2
9	07073005	COVER CAP GRIP		pz	1
10	07336005	CAVO ACCELERATORE		pz	1
11	08538005	WIRE, CLUTCH	XE	pz	1
12	07076005	BOOT CABLE	XE	pz	1
13	07532005	PROTECTOR, HANDLEBAR		pz	1
15	07731005	ODOMETER	XE	pz	1
16	07422005	SUPPORT	XE XE	pz	1
17	07379005	PASSACAVO	XE XE	pz	1
18	07380005	BOLT WITH WASHER	XE XE	pz	1
19	07365005	SUPPORT	XE XE	pz	1
20	07433005	VITE 6X10 TE FLANGIATA	XE	pz	1
21	07424005	LIGHT SWITCH COMMAND	XE	pz	1
22	07729005	MY21 CAB LIGHTS DEVICE	XE	pz	1
23	08535005	SENSORE VELOCITA' XE450	XE	pz	1
24	05836005	BOLT FLANGE	XE	pz	1
25	07373005	FASCETTA	XE	pz	3
26	07595020	KIT SUPPORTO LEVA 1	XE	pz	1
27	07114005	COVER HANDLE LEVER 1	XE	pz	1
28	07115005	HOLDER LEVER LOWER 1	XE	pz	1
29	05646005	BOLT	XE	pz	2
30	07113005	SWITCH	XE	pz	1
31	06379005	BOLT		pz	1
32	06380005	NUT LENS FITTING		pz	1
33	07110005	LEVER 1	XE	pz	1
34	08583005	KOSO CUSHION RUBBER	XE	pz	2
35	00060005	WASHER M8 UNI 6592	XE	pz	2
36	00496005	SCREW M4x1.25x18	XE	pz	2
37	07111005	BOLT ADJUSTING	XE	pz	1
38	07112005	BOLT CABLE ADJUSTING	XE	pz	1

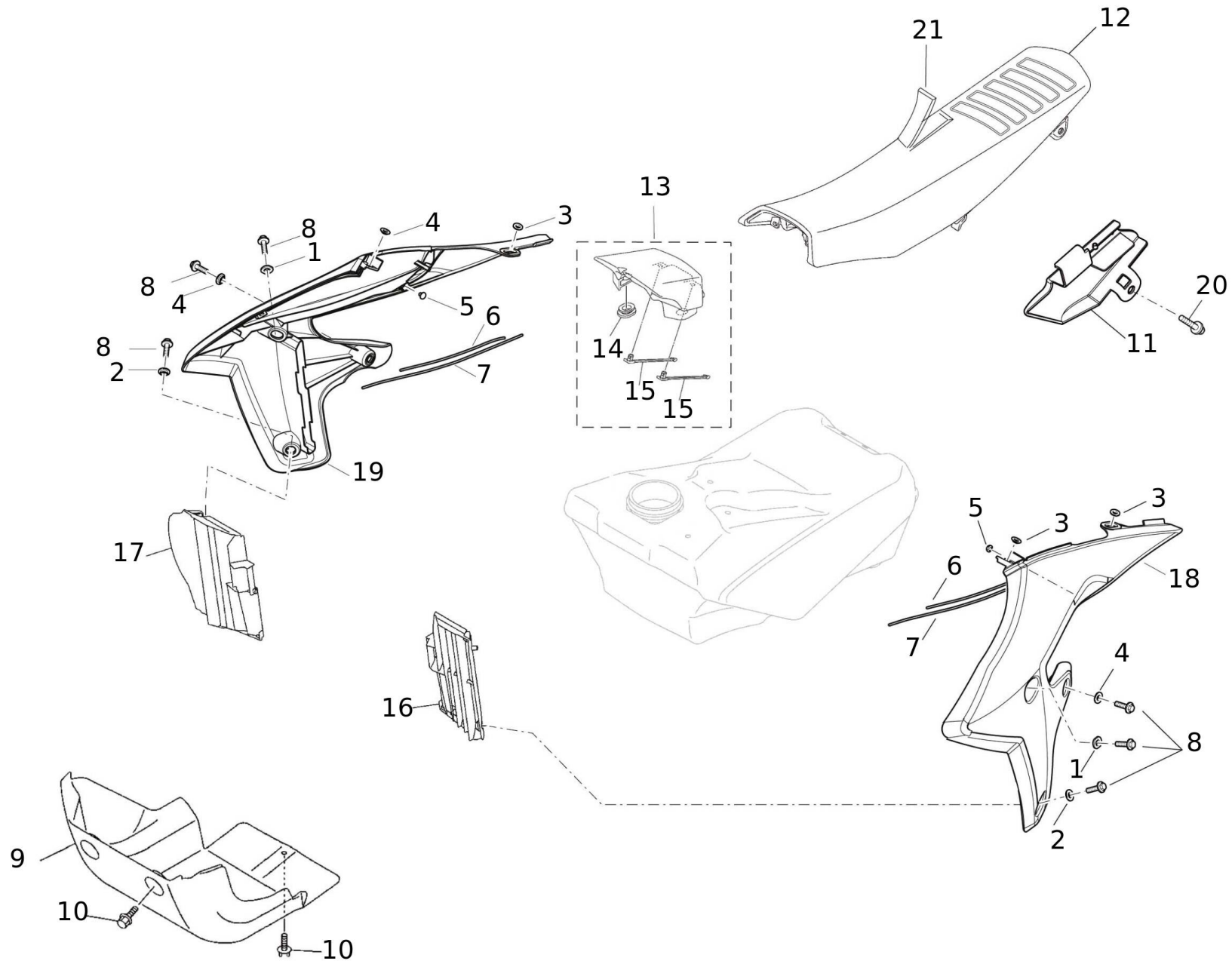


#	Code	Description	Specification	UM	Qty
---	------	-------------	---------------	----	-----

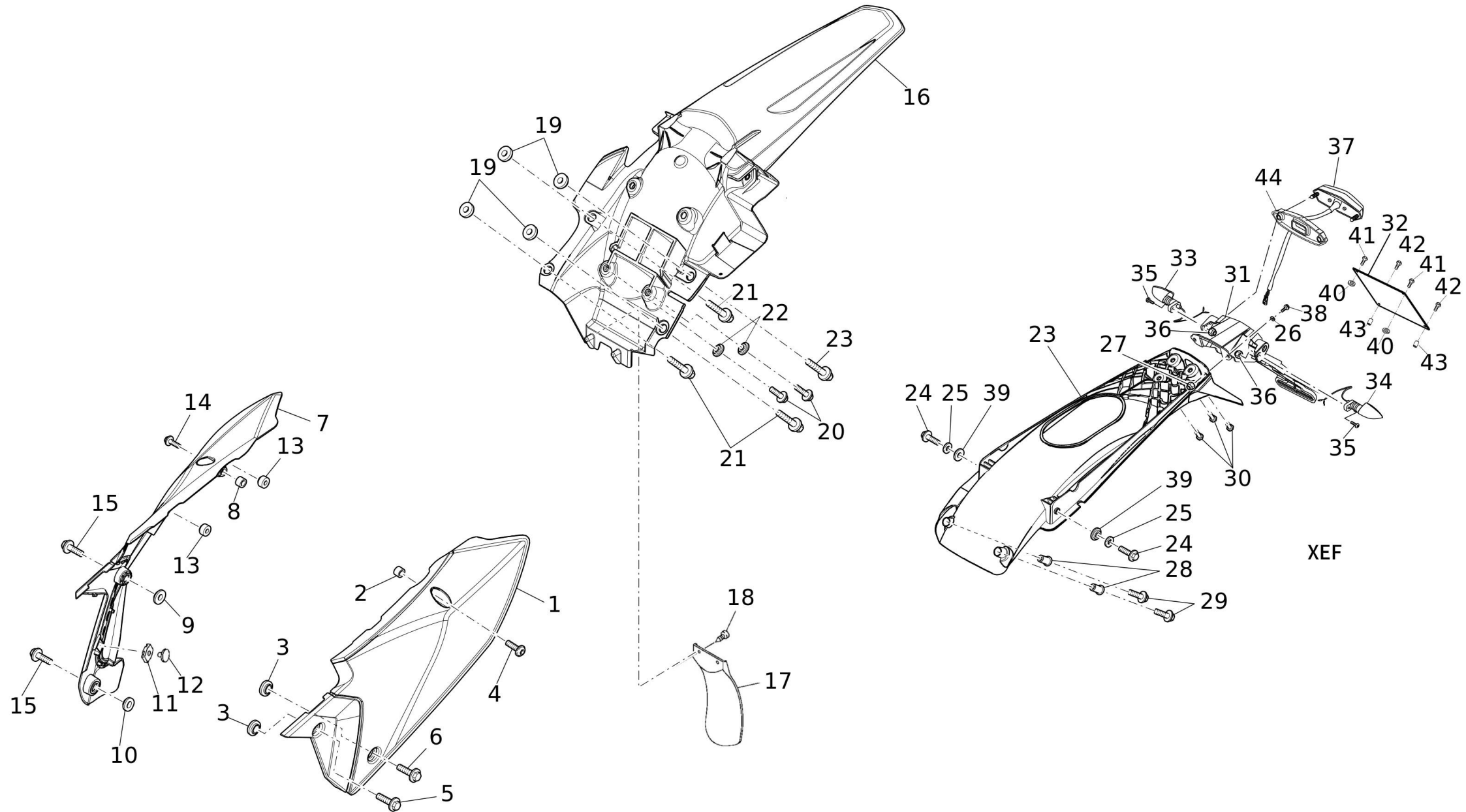




#	Code	Description	Specification	UM	Qty
1	07500005	FRONT FENDER OFF-ROAD WHITE	white	pz	1
1	07504005	MUDGUARD	black	pz	1
2	08641005	COLLAR		pz	4
3	06958005	BOLT WITH WASHER		pz	4
4	00898005	SWINGARM USD BEEPER	XEF	pz	1
5	07478005	SCREW	XEF	pz	2
6	07479005	SCREW	XEF	pz	1
7	08401005	FAIRLEAD	XEF	pz	1
8	07364005	KIT FORK GUARD XEF	white	pz	1
8	V0906005	KIT PARASTELI XEF NERI	black	pz	1
9	02163005	HANDGUARD (WHITE) WITHOUT STICKER	white	pz	1
9	04194005	HANDGUARD (BLACK) WITHOUT STICKER	black	pz	1
10	06161005	BOLT		pz	6
11	07374005	CLAMP	XEF	pz	1
12	07019005	BOLT HEXAGON SOCKET HEAD	XEF	pz	2
13	00807005	WASHER 6X12	XEF	pz	1
14	07501005	HEADLIGHT FAIRING XE/XEF	XEF	pz	1
15	05466005	LED HEADLIGHT XE/XEF	XEF	pz	1
16	07467005	SPRING	XEF	pz	1
17	00049005	SCREW-SOCKET CONVEX HEAD 6X40	XEF	pz	1
18	07694005	BUSHING	XEF	pz	2
19	01374005	DIRECTION IND. ARROW FRONT RH / REAR LH		pz	1
20	01375005	DIRECTION IND. ARROW FRONT LH / REAR RH		pz	1
21	00042005	SCREW-FLANGED 5X16	XEF	pz	2
22	00267005	NUT-LOCK 5 LOW	XEF	pz	3
23	00340005	WASHER-SPACE	XEF	pz	1
24	08124005	HOLDER	XEF	pz	1
25	00340005	WASHER-SPACE	XEF	pz	2
26	02540005	SCREW-SOCKET CONVEX HEAD 6X16	XEF	pz	2
27	07371005	GROMMET	XEF	pz	2



#	Code	Description	Specification	UM	Qty
1	06971005	COLLAR		pz	2
2	06559005	COLLAR		pz	2
3	06972005	COLLAR		pz	2
4	06781005	COLLAR		pz	4
5	06973005	GROMMET		pz	2
6	06974005	GASKET		pz	2
7	06975005	GASKET		pz	2
8	06977005	BOLT WITH WASHER		pz	6
9	07375005	GUARD ENGINE 1		pz	1
10	06945005	BOLT WITH WASHER		pz	2
11	07370005	COVER		pz	1
12	08143005	SADDLE	white	pz	1
12	V0914005	SELLA XEF-XXF NERA	black	pz	1
13	08511020	COVER TAPPO BENZINA CPL XEF		pz	1
14	07046005	GROMMET		pz	1
15	07047005	BAND SEAT		pz	2
16	07561005	RIPARO RADIATORE1 NERO		pz	1
17	07562005	RIPARO RADIATORE2 NERO		pz	1
18	07505005	SIDE FAIRING	white	pz	1
18	V0220005	CONVOGLIATORE SX XEF/XXF NERO	black	pz	1
19	07506005	SIDE FAIRING	white	pz	1
19	V0221005	CONVOGLIATORE DX XEF/XXF NERO	black	pz	1
20	06951005	RIVETTO		pz	1
21	08489005	COVER	white	pz	1
21	V1380005	COPERTINA SELLA NERA XEF/XXF	black	pz	1

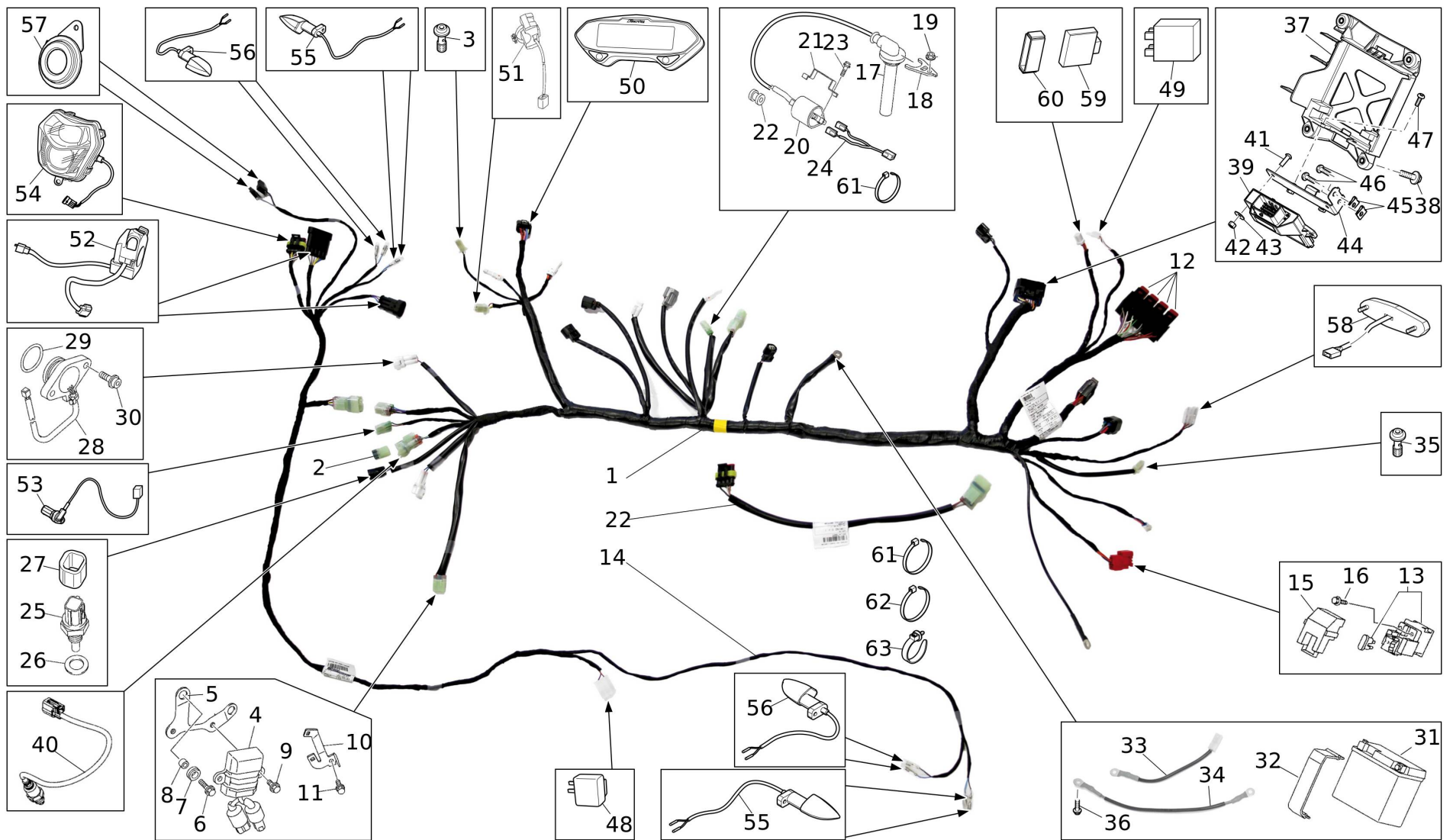


XEF

#	Code	Description	Specification	UM	Qty
1	07507005	SIDE FAIRING	white	pz	1
1	V0941005	FIANCHETTO POST SX XEF/XXF NERO/GRIGIO	black	pz	1
2	06964005	COLLAR		pz	1
3	06563005	COLLAR		pz	2
4	06932005	BOLT FLANGE		pz	1
5	06966005	BOLT WITH WASHER		pz	1
6	06967005	BOLT WITH WASHER		pz	1
7	07508005	SIDE FAIRING	white	pz	1
7	V0940005	FIANCHETTO POST DX XEF/XXF NERO/GRIGIO	black	pz	1
8	06964005	COLLAR		pz	1
9	06559005	COLLAR		pz	1
10	06563005	COLLAR		pz	1
11	06968005	GROMMET		pz	1
12	06969005	DAMPER		pz	1
13	06970005	GROMMET		pz	2
14	06932005	BOLT FLANGE		pz	1
15	06967005	BOLT WITH WASHER		pz	2
16	07509005	MUDGUARD	XE	pz	1
17	06962005	GUARD FLAP		pz	1
18	06600005	SCREW TAPPING		pz	2
19	06559005	COLLAR		pz	4
20	07942005	BOLT WITH WASHER		pz	2
21	06958005	BOLT WITH WASHER		pz	4
22	07476005	BOCCOLA T D12 H3.8		pz	2
23	07368005	LICENSE PLATE	XE	pz	1
24	08403005	SCREW	XE	pz	2
25	00058005	WASHER 6X18	XE	pz	2
26	00056005	WASHER 5X10	XE	pz	3
27	00267005	NUT-LOCK 5 LOW	XE	pz	3
28	08149005	SPACER	XE	pz	2
29	07493005	SCREW	XE	pz	2
30	07458005	SCREW	XE	pz	3
31	07388005	LICENSE PLATE HOMOLOGATED HOLDER XE/XE	XE	pz	1
32	07474005	PLATE	XE	pz	1
33	01375005	DIRECTION IND. ARROW FRONT LH / REAR RH		pz	1
34	01374005	DIRECTION IND. ARROW FRONT RH / REAR LH		pz	1
35	00042005	SCREW-FLANGED 5X16	XE	pz	2
36	00267005	NUT-LOCK 5 LOW	XE	pz	2
37	05113005	TAILLIGHT WITH LED LICENSE PLATE LIGHT	XE	pz	1
38	00042005	SCREW-FLANGED 5X16	XE	pz	3

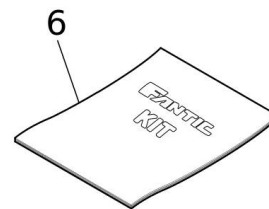
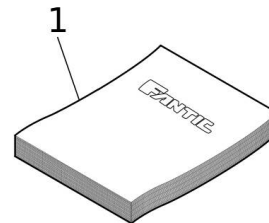
#	Code	Description	Specification	UM	Qty
39	08150005	SPACER	XEF	pz	2
40	00803005	SPACER TURN INDICATOR SUPPORT	XEF	pz	2
41	08723005	VITE 5X40 TBB UNI 7380-1	XEF	pz	2
42	08722005	VITE 5X25 TBB UNI 7380-1	XEF	pz	2
43	00766005	MOTARD FRONT FENDER 4.5 BUSHING	XEF	pz	2
44	05610005	SPACER	XEF	pz	2



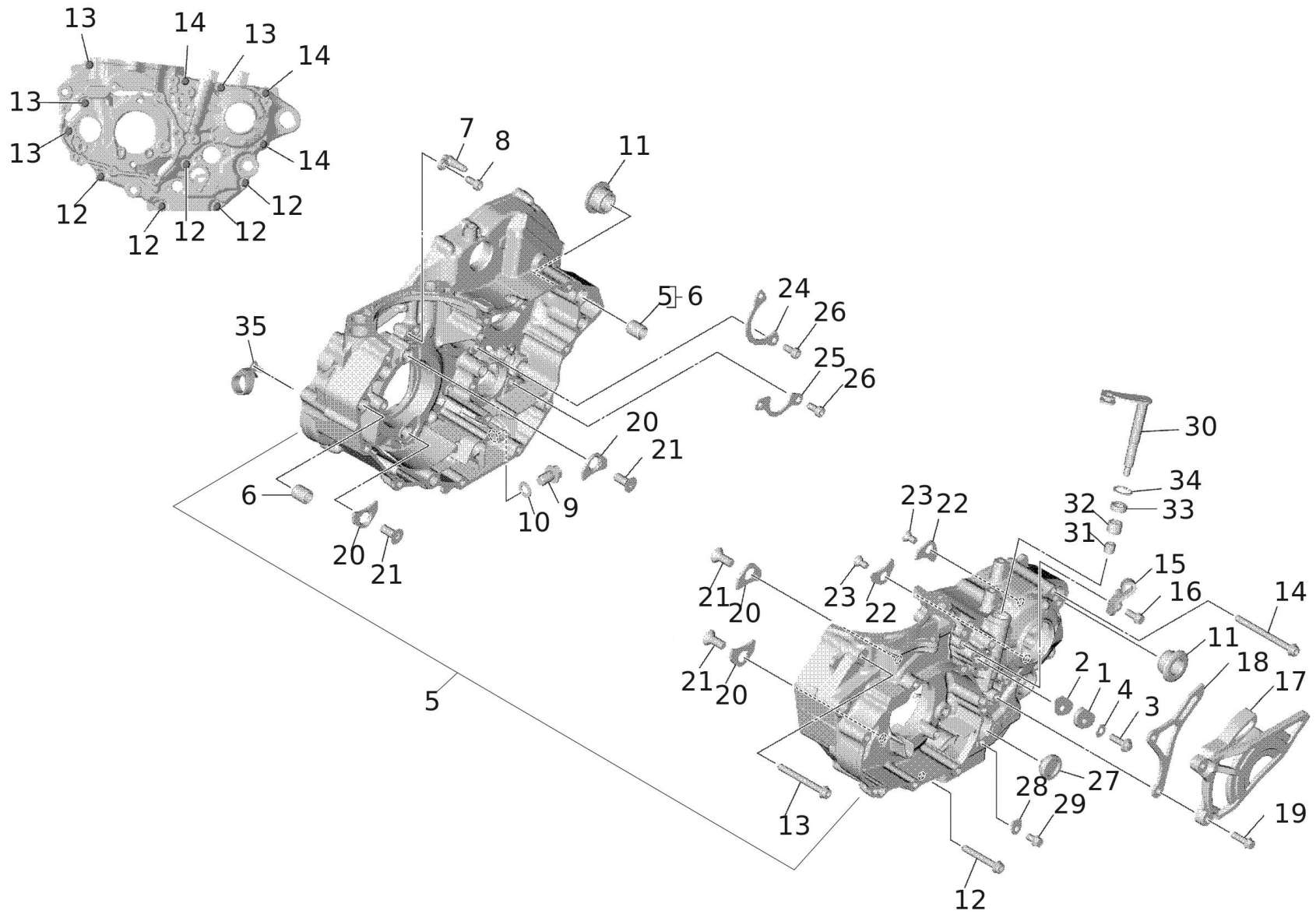


#	Code	Description	Specification	UM	Qty
1	07591005	CABLAGGIO PRINCIPALE XEF MY22	XEF	pz	1
2	07492005	CAP	XEF	pz	1
3	03259005	STOP SWITCH	XEF	pz	1
4	07128005	RECTIFIER REGULETOR ASSY	XEF	pz	1
5	07129005	BRACKET REGULATOR	XEF	pz	1
6	07130005	BOLT FLANGE	XEF	pz	2
7	07131005	GROMMET	XEF	pz	2
8	07132005	COLLAR	XEF	pz	2
9	06564005	BOLT	XEF	pz	2
10	07134005	PLATE	XEF	pz	1
11	06289005	BOLT	XEF	pz	1
12	05457005	RELAY	XEF	pz	4
13	07376020	ASSIEME RELAY AVVIAMENTO (RC19-102B)	XEF	pz	1
14	08147005	CABLE	XEF	pz	1
15	07378005	COVER RELAY AVVIAMENTO	XEF	pz	1
16	08516005	VITE TCEI M6X8 FL	XEF	pz	2
17	07354005	PIPPETTA CANDELA	XEF	pz	1
18	07117005	FERMO PIPPETTA	XEF	pz	1
19	06625005	DADO M6XH6 (CH. 10) FLANGIATO	XEF	pz	1
20	07355005	IGNITION COIL ASSY	XEF	pz	1
21	07125005	STAFFA BOBINA	XEF	pz	1
22	07486005	ADAPTER	XEF	pz	1
23	06749005	VITE 6X16 TE8 FLANGIA 10.5	XEF	pz	2
24	08504005	CAVO BOBINA XEF	XEF	pz	1
25	07119005	THERMO UNIT	XEF	pz	1
26	07120005	GASKET	XEF	pz	1
27	08513005	GOMMINO SENSORE TEMP ACQUA	XEF	pz	1
28	07121005	SENSORE FOLLE	XEF	pz	1
29	07122005	O-RING	XEF	pz	1
30	07123005	VITE 5X14 TCEI4 FLANGIA 10.7	XEF	pz	2
31	00798005	MAINTENANCE-FREE 3 AH BATTERY	XEF	pz	1
32	08405005	BATTERY BAND XEF-XXF	XEF	pz	1
33	08502005	CAVO POSITIVO BATERIA XEF	XEF	pz	1
34	08503005	CAVO NEGATIVO BATERIA XEF	XEF	pz	1
35	02112005	STOP SWITHC (BRAKING)	XEF	pz	1
36	06617005	BOLT FLANGE DEEP RECESS	XEF	pz	1
37	07421005	SCATOLA BATTERIA XEF/XXF	XEF	pz	1
38	07942005	BOLT WITH WASHER	XEF	pz	2
39	V0153020	ECU XEF450 E5	XEF	pz	1
40	05213005	LAMBDA SENSOR E4 FC250-450/TL250	XEF	pz	1

#	Code	Description	Specification	UM	Qty
41	00042005	SCREW-FLANGED 5X16	XEF	pz	2
42	00267005	NUT-LOCK 5 LOW	XEF	pz	2
43	00057005	WASHER 5X16	XEF	pz	2
44	07419005	STAFFA CENTRALINA XEF	XEF	pz	1
45	01891005	CLIP 12X15	XEF	pz	2
46	00334005	SCREW-FLANGED 5X12	XEF	pz	2
47	07479005	SCREW	XEF	pz	2
48	01199005	FLASHER RELAY (TURN SIGNAL RELAY) 10W	XEF	pz	1
49	07477005	SCHEDA INTERFACCIA RISERVA XEF	XEF	pz	1
50	07731005	ODOMETER	XEF	pz	1
51	07424005	LIGHT SWITCH COMMAND	XEF	pz	1
52	07729005	MY21 CAB LIGHTS DEVICE	XEF	pz	1
53	08535005	SENSORE VELOCITA' XEF450	XEF	pz	1
54	05466005	LED HEADLIGHT XE/XEF	XEF	pz	1
55	01374005	DIRECTION IND. ARROW FRONT RH / REAR LH		pz	1
56	01375005	DIRECTION IND. ARROW FRONT LH / REAR RH		pz	1
57	00898005	SWINGARM USD BEEPER	XEF	pz	1
58	05113005	TAILLIGHT WITH LED LICENSE PLATE LIGHT	XEF	pz	1
59	07418005	WI-FI COM	XXF XEF	pz	1
60	07423005	RING	XEF	pz	1
61	06389005	CLAMP	XEF	pz	2
62	07138005	CLAMP	XEF	pz	2
63	07137005	FASCETTA	XEF	pz	1

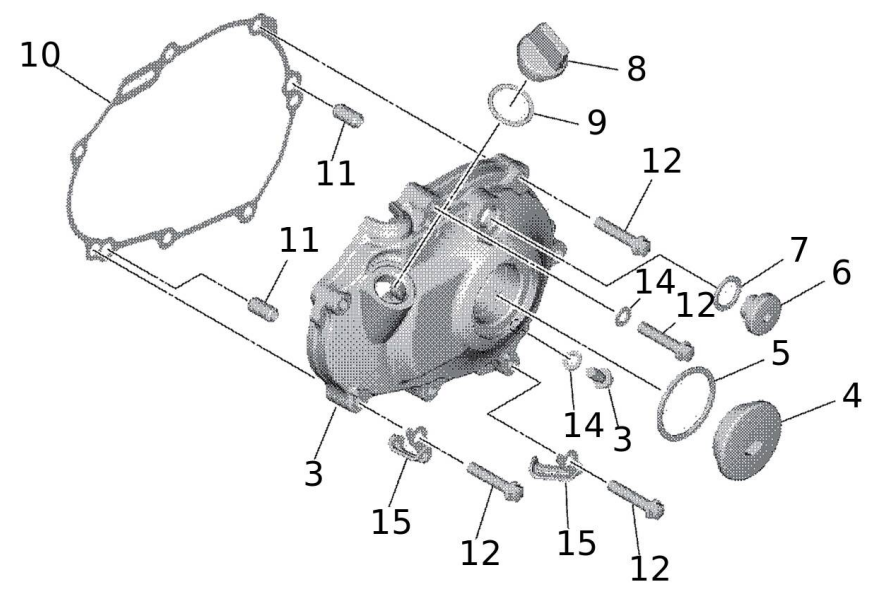
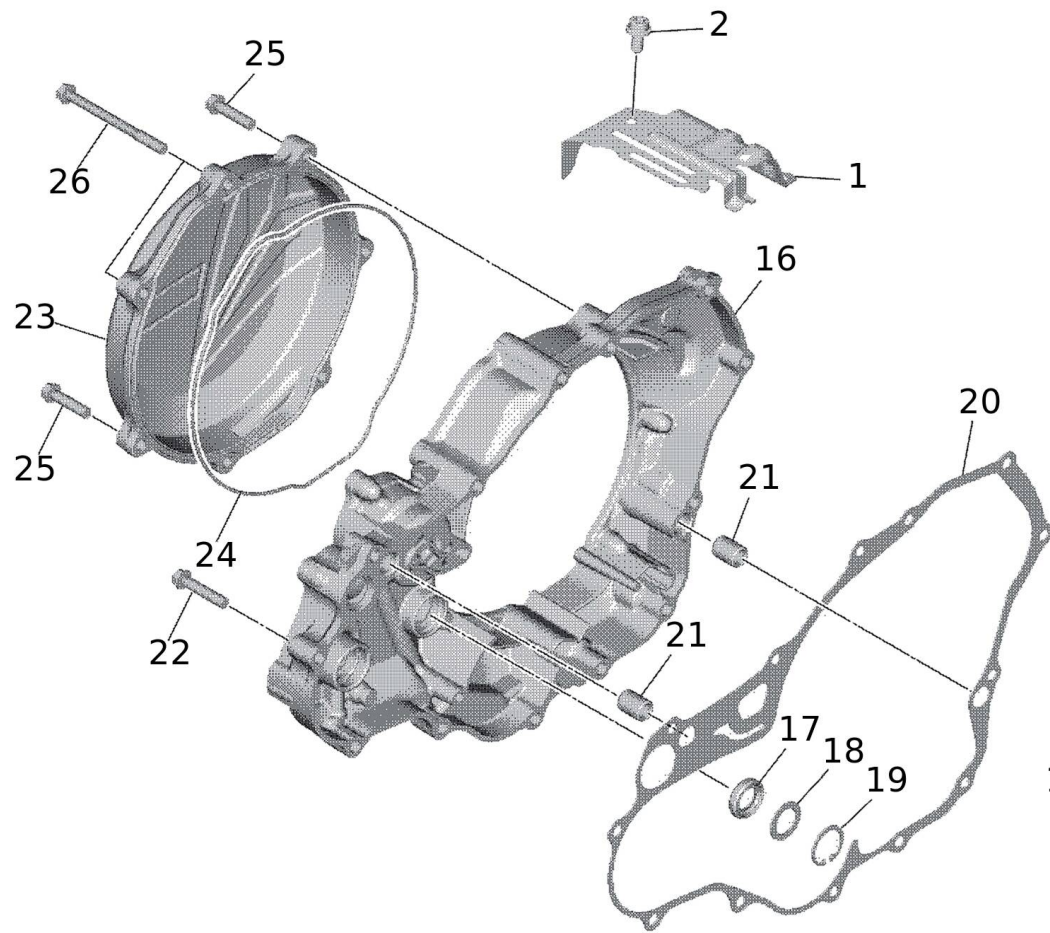


#	Code	Description	Specification	UM	Qty
1	08695005	MANUALE D'USO GAMMA OFF-ROAD 4T		pz	1
2	09712005	KIT ADESIVI XEF MY23	MY23	pz	1
2	V0909005	KIT ADESIVI XEF 24 GIALLO FLUO	MY24	pz	1
3	04311005	AMBER CURVED PERFORMANCE REFLECTOR	XEF	pz	2
4	03990005	RED RECTANGULAR REFLECTOR	XEF	pz	1
5	08160005	ADHESIVE	XEF	pz	1
6	08720005	ISTRUZIONE KIT RACING XEF MY22	XEF	pz	1
7	07525005	STICKER BARDAHL ENGINE CRANKCASE		pz	1



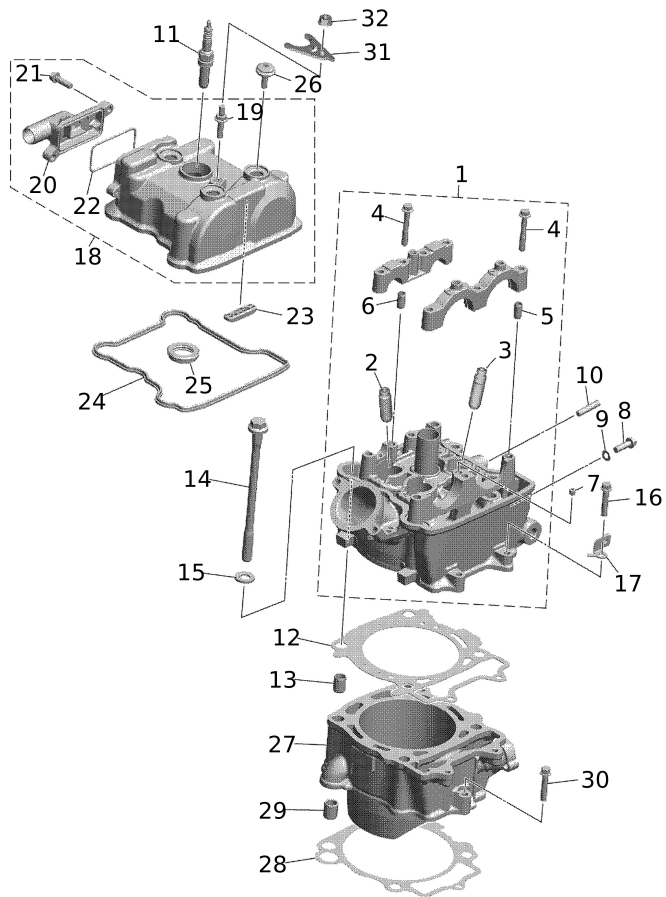


#	Code	Description	Specification	UM	Qty
1	07247005	PLATE		pz	1
2	07248005	GASKET		pz	1
3	08367005	BOLT FLANGE		pz	1
4	07249005	GASKET		pz	1
5	07250020	CRANKCASE ASSY		pz	1
6	06819005	PIN, DOWEL		pz	2
7	07251005	NOZZLE 3		pz	1
8	06837005	BOLT, HEXAGON SOCKET HEAD		pz	1
9	06822005	BOLT FLANGE DEEP RECESS		pz	1
10	05856005	GASKET		pz	1
11	06823005	COLLAR		pz	2
12	06824005	BOLT, HEXAGON SOCKET HEAD		pz	5
13	06825005	BOLT, HEXAGON SOCKET HEAD		pz	4
14	06826005	BOLT, HEXAGON SOCKET HEAD		pz	3
15	07252005	HOLDER, CLUTCH CABLE		pz	1
16	06569005	BOLT FLANGE		pz	2
17	06829005	COVER CRANKCASE 2		pz	1
18	06830005	GUIDE CHAIN		pz	1
19	06831005	BOLT FLANGE		pz	2
20	06832005	PLATE BEARING COVER		pz	4
21	06833005	SCREW COUNTERSUNK		pz	4
22	05932005	PLATE BEARING COVER		pz	2
23	06834005	SCREW COUNTERSUNK		pz	2
24	07253005	PLATE BEARING COVER		pz	1
25	06836005	PLATE STOPPER 2		pz	1
26	06837005	BOLT, HEXAGON SOCKET HEAD		pz	4
27	06845005	GAUGE LEVEL		pz	1
28	07254005	RETAINER		pz	1
29	06617005	BOLT FLANGE DEEP RECESS		pz	1
30	07286005	PUSH LEVER COMP.		pz	1
31	06838005	BEARING		pz	1
32	06880005	BEARING		pz	1
33	05930005	OIL SEAL		pz	1
34	06881005	CIRCLIP		pz	1

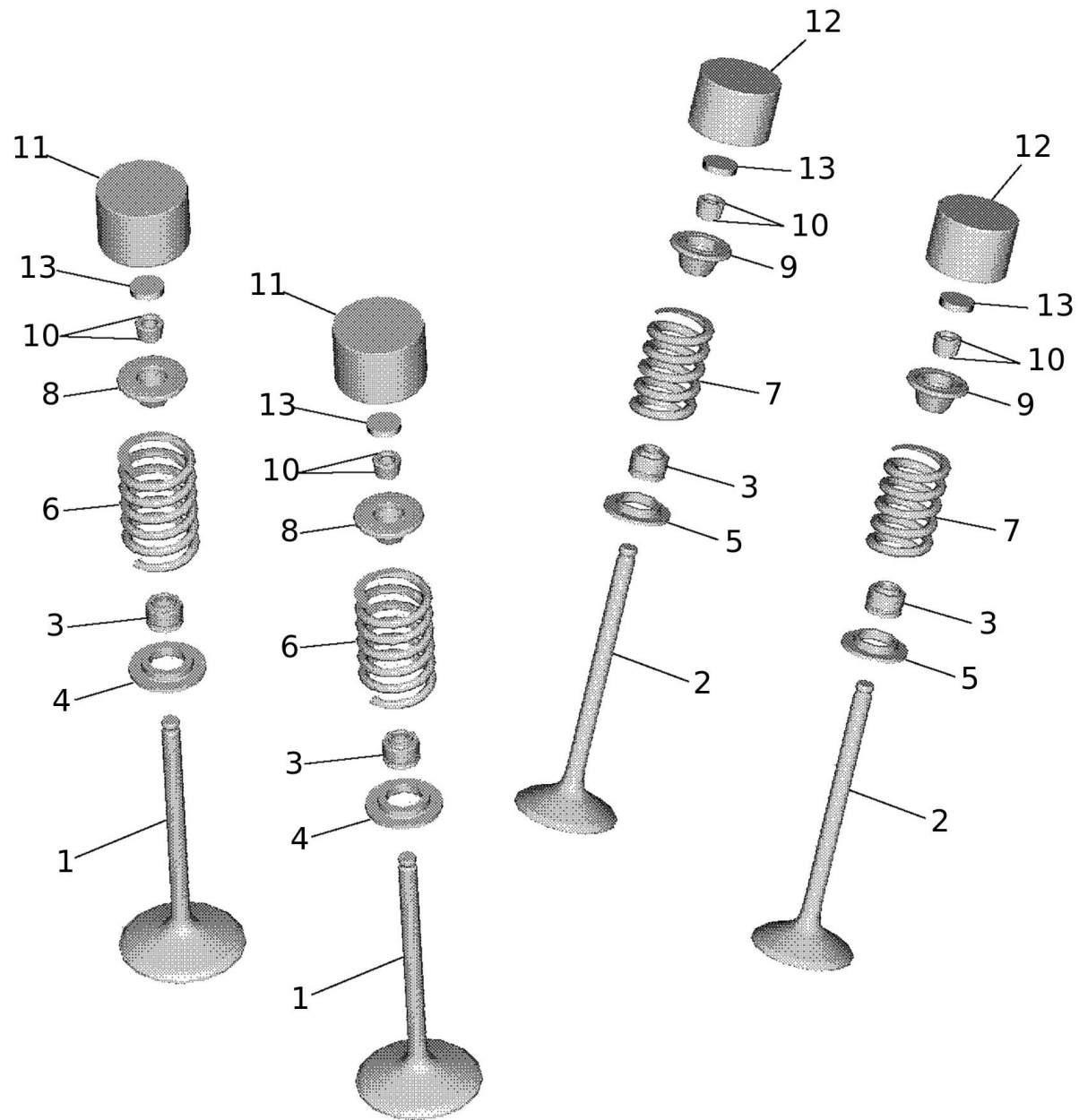




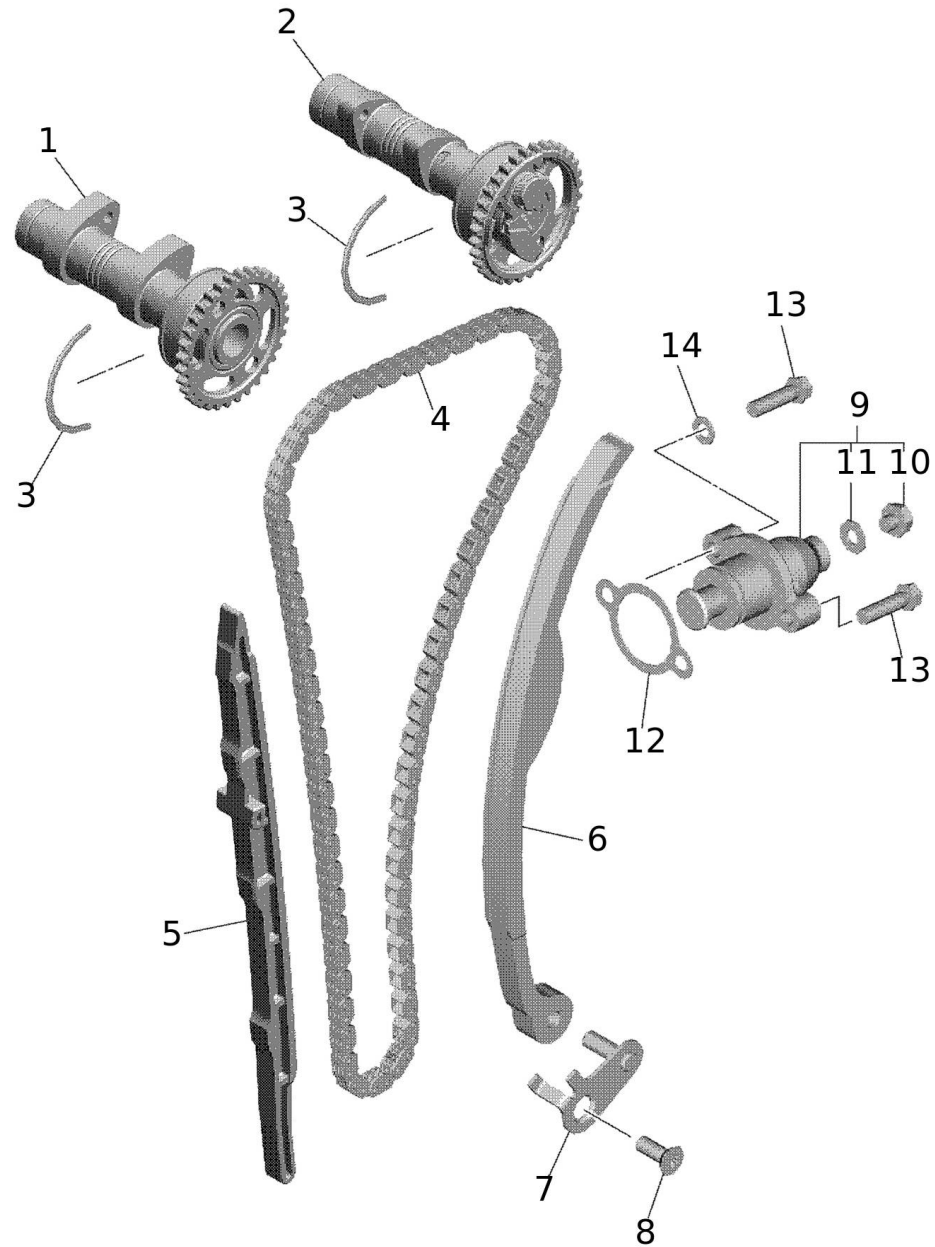
#	Code	Description	Specification	UM	Qty
1	07255005	COVER, STARTING MOTOR		pz	1
2	07256005	BOLT, HEXAGON SOCKET HEAD		pz	1
3	07257005	COVER CRANKCASE 1		pz	1
4	07054005	PLUG, STRAIGHT SCREW		pz	1
5	06840005	O-RING		pz	1
6	07055005	PLUG, STRAIGHT SCREW		pz	1
7	06841005	O-RING		pz	1
8	03957005	TAPPO ISP. OLIO 250 4T		pz	1
9	05877005	O-RING		pz	1
10	07258005	GASKET, CRANKCASE COVER 1		pz	1
11	05875005	PIN DOWEL		pz	2
12	08542005	BOLT FLANGE DEEP RECESS		pz	7
13	06722005	VITE 6X12 TE8 FLANGIA 10.5		pz	1
14	05705005	GASKET		pz	2
15	06843005	GUIDE, CABLE		pz	2
16	07259005	COVER, CRANKCASE 3		pz	1
17	07260005	OIL SEAL		pz	1
18	07261005	WASHER, PLATE (T=1.0)		pz	1
19	07262005	CIRCLIP		pz	1
20	07263005	GASKET, CRANKCASE COVER 3		pz	1
21	07264005	PIN, DOWEL		pz	2
22	08542005	BOLT FLANGE DEEP RECESS		pz	11
23	08932005	COPERCHIO FRIZIONE XEF/XXF 450		pz	1
24	07265005	GASKET CRANKCASE COVER		pz	1
25	06708005	BOLT FLANGE DEEP RECESS		pz	5
26	09176005	BOLT FLANGE DEEP RECESS		pz	2



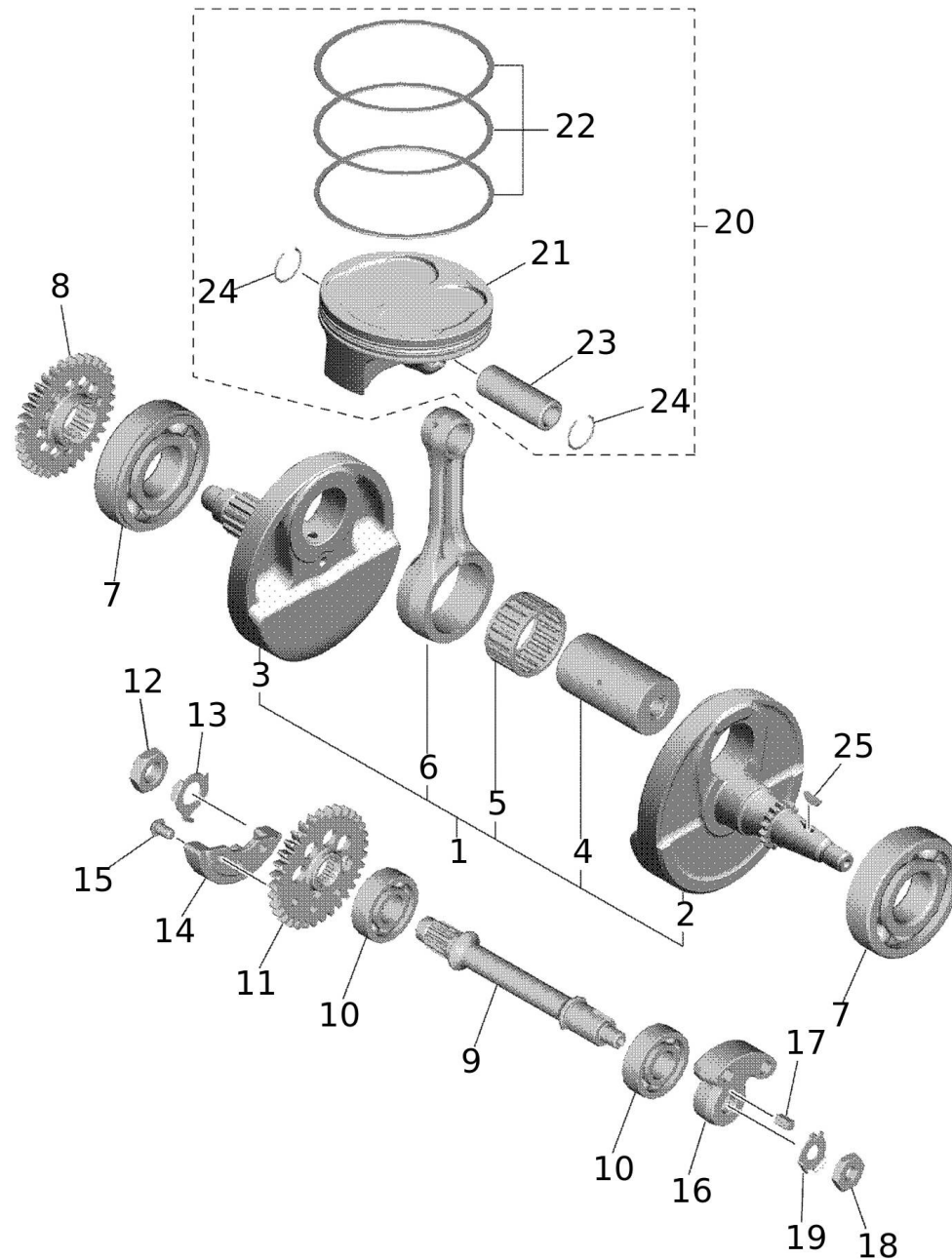
#	Code	Description	Specification	UM	Qty
1	09213020	TESTATA DEL CILINDRO		pz	1
2	09156005	GUIDE VALVE 1		pz	2
3	07161005	GUIDA VALVOLA 2		pz	2
4	06616005	BOLT WITH WASHER		pz	7
5	07163005	PIN, DOWEL		pz	2
6	07163005	PIN, DOWEL		pz	2
7	09157005	NOZZLE 1		pz	1
8	09158005	BOLT WITH WASHER		pz	2
9	05705005	GASKET		pz	2
10	06618005	BOLT STUD		pz	2
11	07540005	CANDELA NGK LMAR8G		pz	1
12	07168005	GASKET, CYLINDER HEAD 1		pz	1
13	06621005	PIN DOWEL		pz	2
14	07169005	BOLT WITH WASHER		pz	4
15	07171005	WASHER PLATE		pz	4
16	08542005	BOLT FLANGE DEEP RECESS		pz	2
17	07173005	PASSACAVO		pz	1
18	09089005	COPERCHIO PUNTERIE XXF450		pz	1
19	06626005	BOLT STUD		pz	1
20	09161005	GUARNIZIONE SFIATO TESTA		pz	1
21	09162005	BOLT WITH WASHER		pz	2
22	09160005	GUARNIZIONE SFIATO TESTA		pz	1
23	09159005	GUIDA TAMPONE 2		pz	1
24	07175005	GASKET HEAD COVER 1		pz	1
25	06629005	GASKET HEAD COVER 2		pz	1
26	06628005	BOLT COVER HEAD		pz	3
27	09163005	CYLINDER 1		pz	1
28	07178005	GASKET CYLINDER		pz	1
29	06819005	PIN, DOWEL		pz	2
30	08542005	BOLT FLANGE DEEP RECESS		pz	1
31	07117005	FERMO PIPPETTA		pz	1
32	06625005	DADO M6XH6 (CH. 10) FLANGIATO		pz	1



#	Code	Description	Specification	UM	Qty
1	09165005	INTAKE VALVE		pz	2
2	09167005	EXHAUST VALVE		pz	2
3	07211005	SEAL, VALVE STEM		pz	4
4	07204005	SEAT VALVE SPRING		pz	2
5	07205005	SEAT VALVE SPRING 2		pz	2
6	09168005	SPRING, VALVE INNER		pz	2
7	07207005	SPRING, VALVE OUTER		pz	2
8	07208005	RETAINER VALVE SPRING		pz	2
9	07209005	RETAINER, VALVE SPRING		pz	2
10	07210005	LOCK, VALVE SPRING RETAINER		pz	8
11	06674005	LIFTER VALVE		pz	2
12	06675005	LIFTER VALVE		pz	2
13	06676005	PAD ADJUSTING (1.20)	Accessory	pz	4
13	06677005	PAD ADJUSTING (1.25)	Accessory	pz	4
13	06678005	PAD ADJUSTING (1.30)	Accessory	pz	4
13	06679005	PAD ADJUSTING (1.35)	Accessory	pz	4
13	06680005	PAD ADJUSTING (1.40)	Accessory	pz	4
13	06681005	PAD ADJUSTING (1.45)	Accessory	pz	4
13	06682005	PAD ADJUSTING (1.50)	Accessory	pz	4
13	06683005	PAD ADJUSTING (1.55)	Accessory	pz	4
13	06684005	PAD ADJUSTING (1.60)	Accessory	pz	4
13	06685005	PAD ADJUSTING (1.65)	Accessory	pz	4
13	06686005	PAD ADJUSTING (1.70)	Accessory	pz	4
13	06687005	PAD ADJUSTING (1.75)	Accessory	pz	4
13	06688005	PAD ADJUSTING (1.80)	Accessory	pz	4
13	06689005	PAD ADJUSTING (1.85)	Accessory	pz	4
13	06690005	PAD ADJUSTING (1.90)	Accessory	pz	4
13	06691005	PAD ADJUSTING (1.95)	Accessory	pz	4
13	06692005	PAD ADJUSTING (2.00)	Accessory	pz	4
13	06693005	PAD ADJUSTING (2.05)	Accessory	pz	4
13	06694005	PAD ADJUSTING (2.10)	Accessory	pz	4
13	06695005	PAD ADJUSTING (2.15)	Accessory	pz	4
13	06696005	PAD ADJUSTING (2.20)	Accessory	pz	4
13	06697005	PAD ADJUSTING (2.25)	Accessory	pz	4
13	06698005	PAD ADJUSTING (2.30)	Accessory	pz	4
13	06699005	PAD ADJUSTING (2.35)	Accessory	pz	4
13	06700005	PAD ADJUSTING (2.40)	Accessory	pz	4

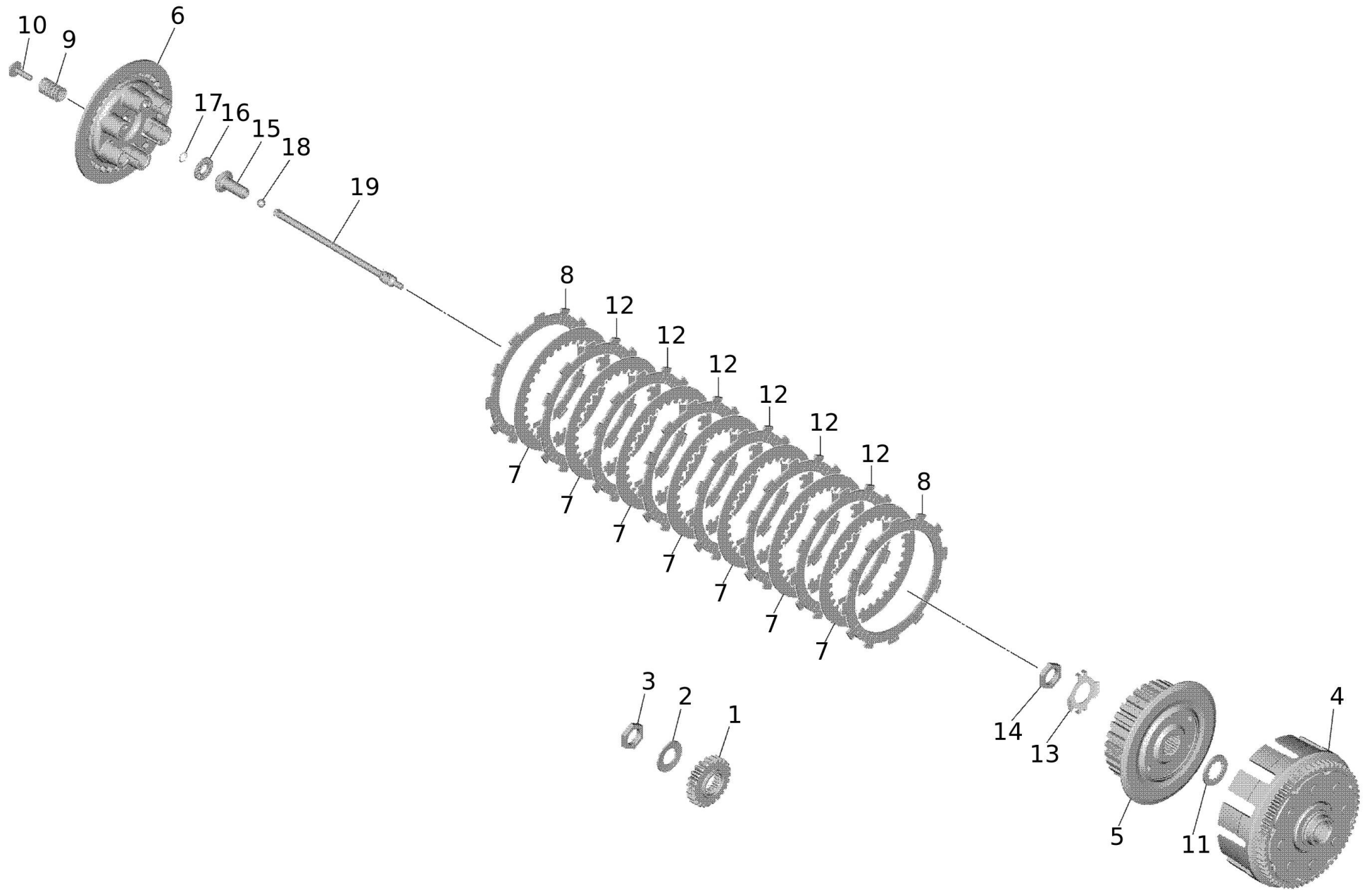


#	Code	Description	Specification	UM	Qty
1	09169005	ALBERO A CAMME 1		pz	1
2	09170005	ALBERO A CAMME 2		pz	1
3	06703005	CIRCLIP		pz	2
4	07214005	CATENA DISTRIBUZIONE		pz	1
5	09171005	PATTINO CATENA DISTRIBUZIONE 1		pz	1
6	07539005	DAMPER CHAIN 2		pz	1
7	06712005	PLATE GUIDE STOPPER 1		pz	1
8	06713005	SCREW COUNTERSUNK		pz	1
9	07215020	TENSIONER ASSY, CAM CHAIN		pz	1
10	06706005	BOLT		pz	1
11	07216005	GASKET		pz	1
12	06707005	GASKET TENSIONER CASE		pz	1
13	06708005	BOLT FLANGE DEEP RECESS		pz	2
14	05705005	GASKET		pz	1

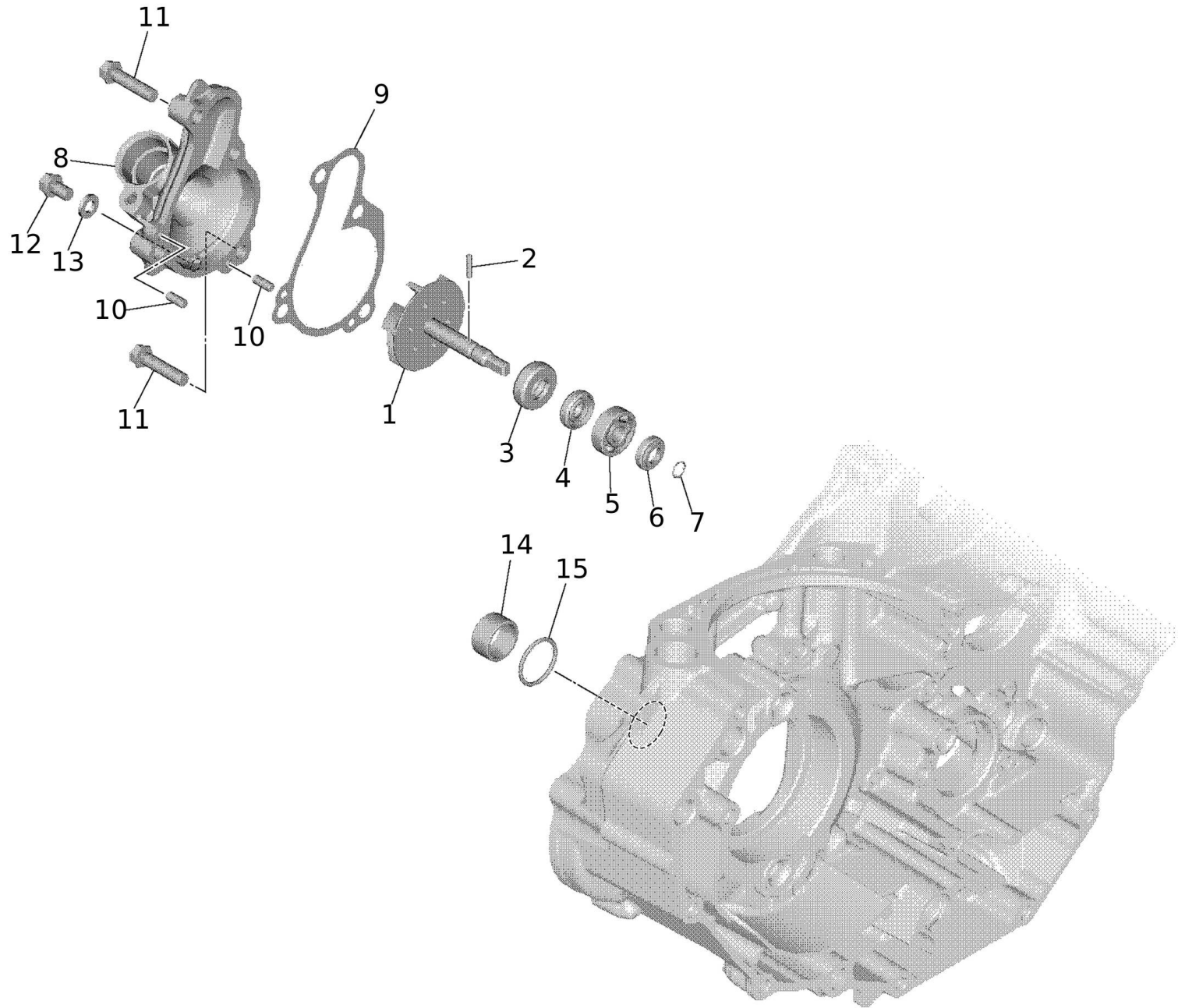




#	Code	Description	Specification	UM	Qty
1	07179020	CRANKSHAFT ASSY		pz	1
2	07180005	CRANK 1		pz	1
3	07181005	CRANK 2		pz	1
4	07182005	PIN CRANK		pz	1
5	07183005	BEARING		pz	1
6	09164005	ROD CONNECTING		pz	1
7	07185005	BEARING		pz	2
8	07186005	INGRANAGGIO ALBERO MOTORE		pz	1
9	07187005	COUNTERSHAFT		pz	1
10	07188005	BEARING		pz	2
11	07189005	GEAR BALANCE WEIGHT		pz	1
12	06652005	NUT		pz	1
13	07190005	WASHER, LOCK		pz	1
14	07191005	WEIGHT 1		pz	1
15	07192005	SCREW		pz	3
16	07193005	WEIGHT 2		pz	1
17	07194005	KEY, STRAIGHT		pz	1
18	07195005	NUT		pz	1
19	07196005	WASHER, LOCK		pz	1
20	07197020	KIT PISTONE		pz	1
21	07198005	.PISTON (STD)		pz	1
22	07199005	.PISTON RING SET (STD)		pz	1
23	07200005	PIN, PISTON		pz	1
24	07201005	CIRCLIP		pz	2
25	06661005	KEY WOODRUFF		pz	1

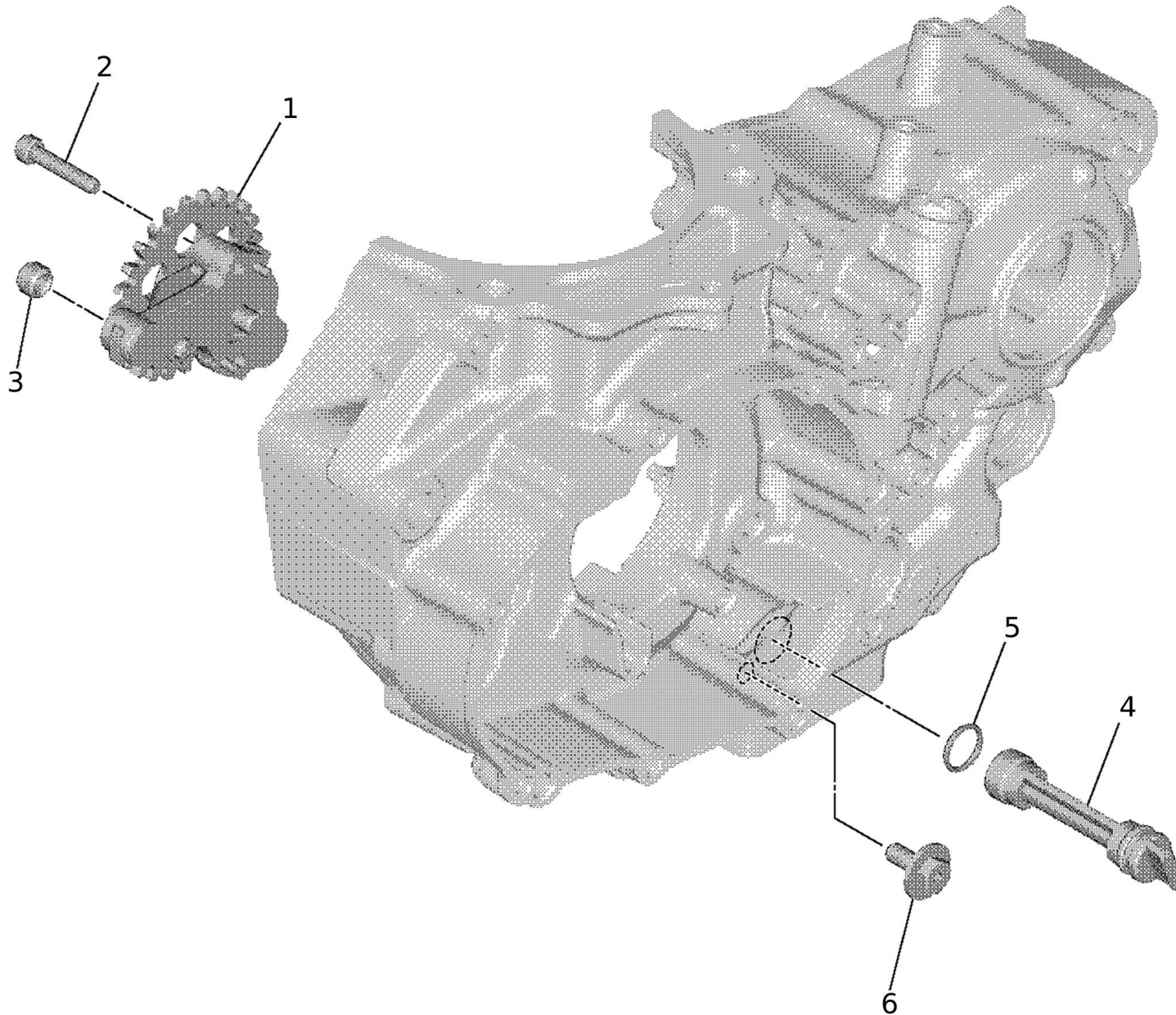


#	Code	Description	Specification	UM	Qty
1	07272005	GEAR PRIMARY DRIVE		pz	1
2	07273005	WASHER, CONICAL SPRING		pz	1
3	07274005	NUT		pz	1
4	07275005	PRIMARY DRIVEN GEAR COMP.		pz	1
5	07276005	BOSS, CLUTCH		pz	1
6	07277005	PLATE, PRESSURE 1		pz	1
7	07278005	PLATE, CLUTCH 1		pz	7
8	07279005	PLATE, FRICTION		pz	2
9	07280005	SPRING, COMPRESSION		pz	6
10	07281005	SCREW WITH WASHER		pz	6
11	06863005	PLATE THRUST 1		pz	1
12	07282005	PLATE, FRICTION		pz	6
13	07283005	WASHER, LOCK		pz	1
14	07284005	NUT		pz	1
15	06875005	ROD PUSH 1		pz	1
16	06876005	BEARING		pz	1
17	06877005	CIRCLIP		pz	1
18	05926005	BALL		pz	1
19	07285005	ROD, PUSH 2		pz	1
20	09528005	KIT DISCHI GUARNITI		pz	1
21	08922005	KIT DISCHI FRIZIONE-MOLLE-OR XEF450		pz	1

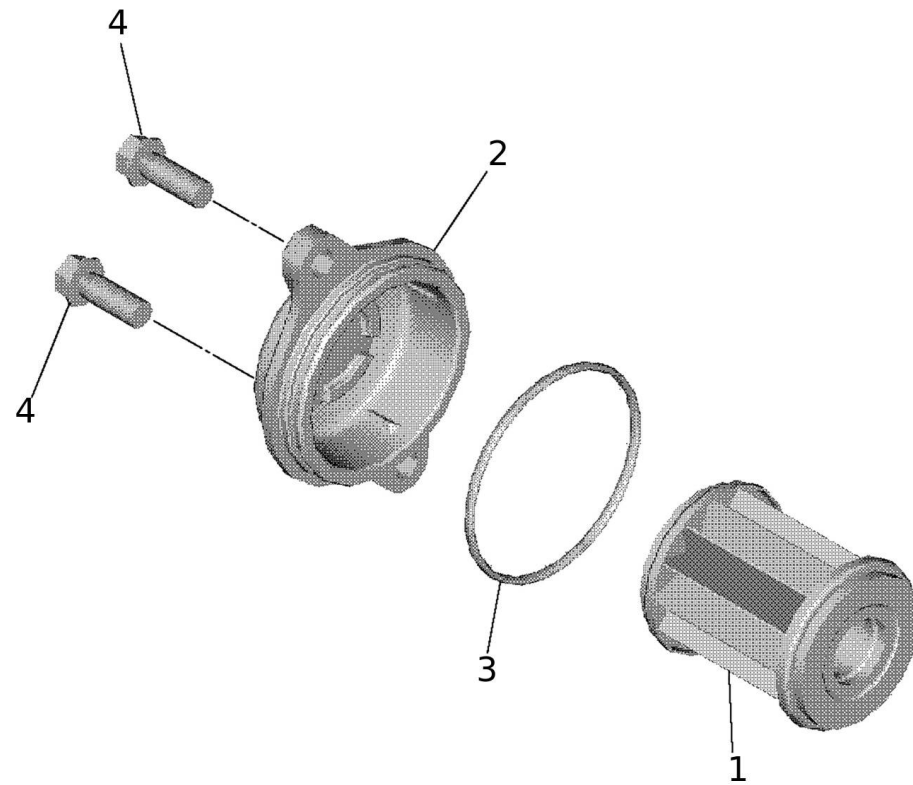


#	Code	Description	Specification	UM	Qty
1	07219005	IMPELLER SHAFT ASSY		pz	1
2	07220005	PIN, DOWEL		pz	1
3	05700005	OIL SEAL		pz	1
4	05701005	OIL SEAL		pz	1
5	05661005	BEARING		pz	1
6	07221005	COLLAR		pz	1
7	05699005	CIRCLIP		pz	1
8	06719005	WATER PUMP COVER		pz	1
9	06720005	GSKT. COVER CYL. HEAD SIDE 1		pz	1
10	05708005	PIN DOWEL		pz	2
11	06708005	BOLT FLANGE DEEP RECESS		pz	4
12	06617005	BOLT FLANGE DEEP RECESS		pz	1
13	05705005	GASKET		pz	1
14	07222005	PIPE, WATER		pz	1
15	07223005	O-RING		pz	1



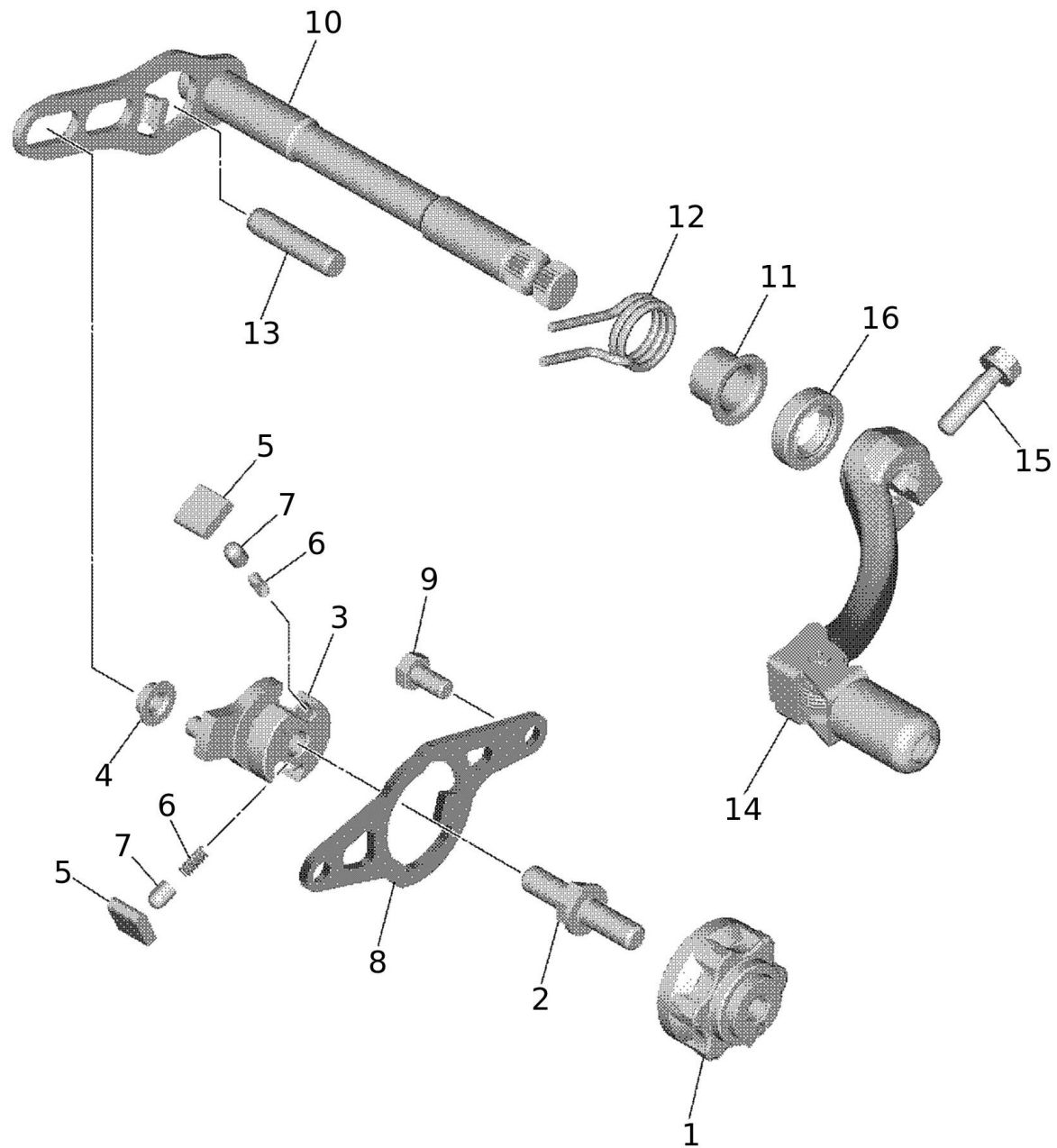


#	Code	Description	Specification	UM	Qty
1	07231005	OIL PUMP ASSY		pz	1
2	06741005	BOLT, HEXAGON SOCKET HEAD		pz	2
3	06742005	GASKET		pz	1
4	06743005	STRAINER OIL		pz	1
5	06744005	O-RING		pz	1
6	06565005	SCREW WITH WASHER		pz	1

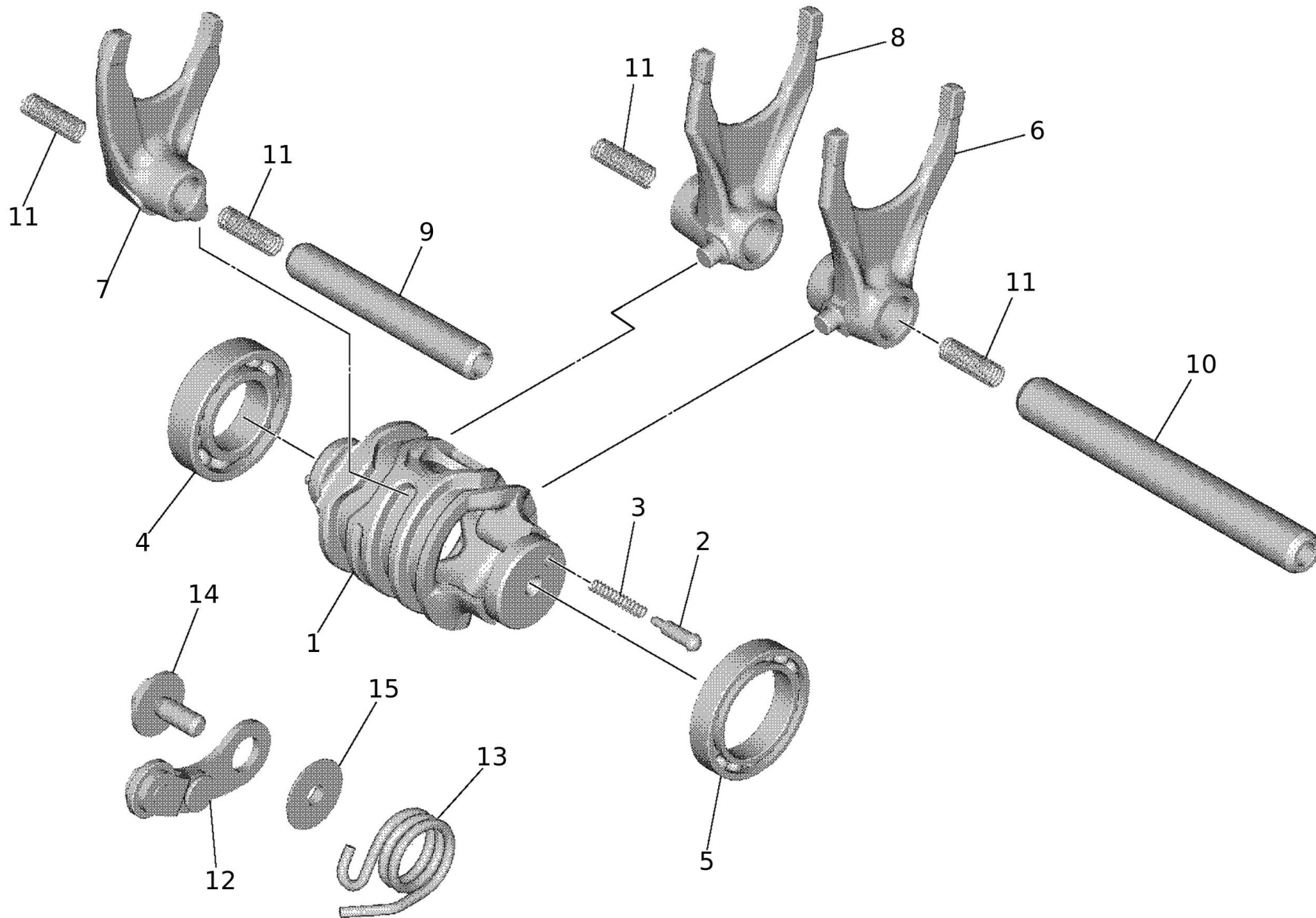




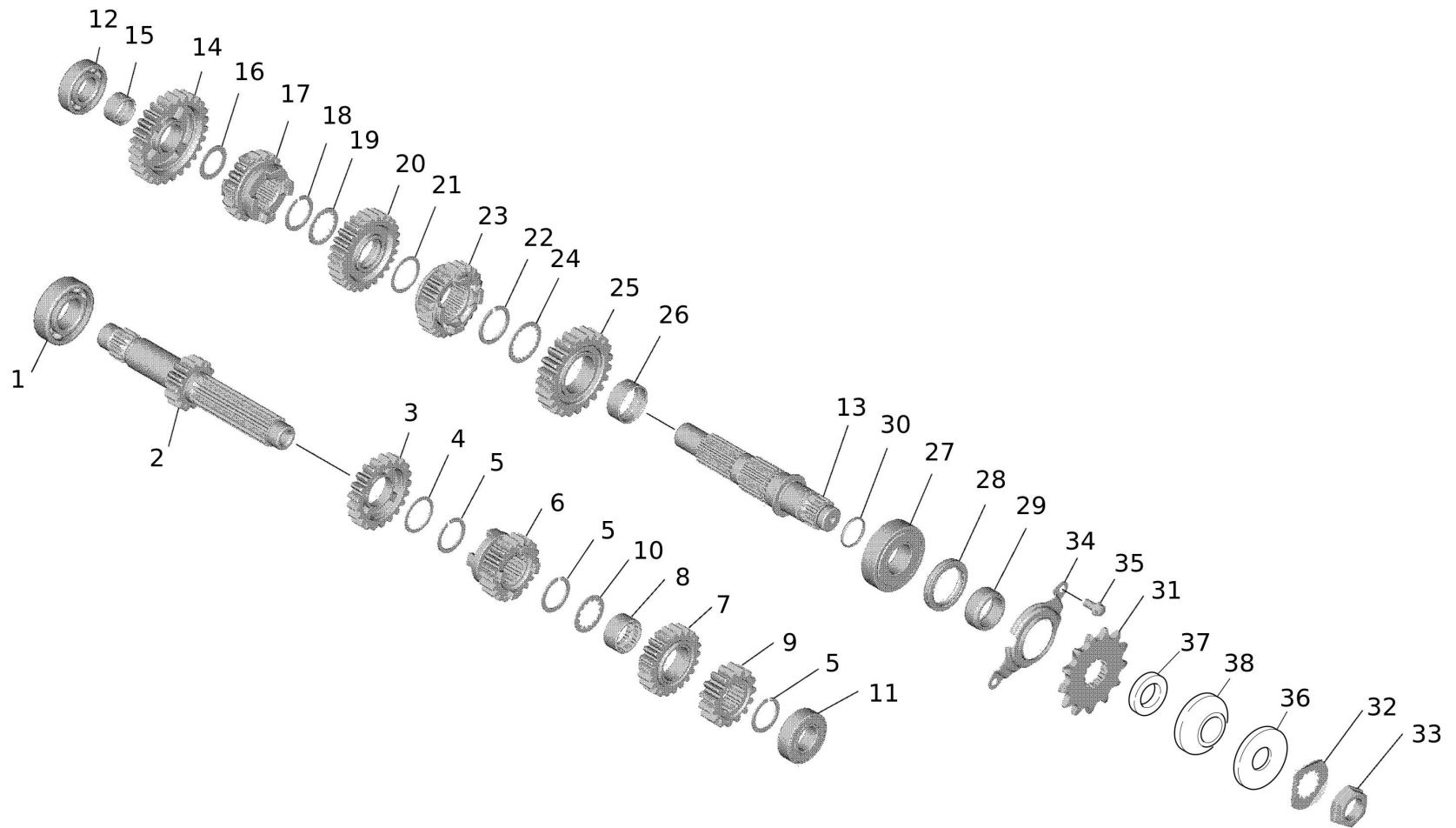
#	Code	Description	Specification	UM	Qty
1	06746005	ELEMENT ASSY OIL CLEANER		pz	1
2	06747005	OIL FILTER COVER		pz	1
3	06748005	O-RING		pz	1
4	06749005	VITE 6X16 TE8 FLANGIA 10.5		pz	2



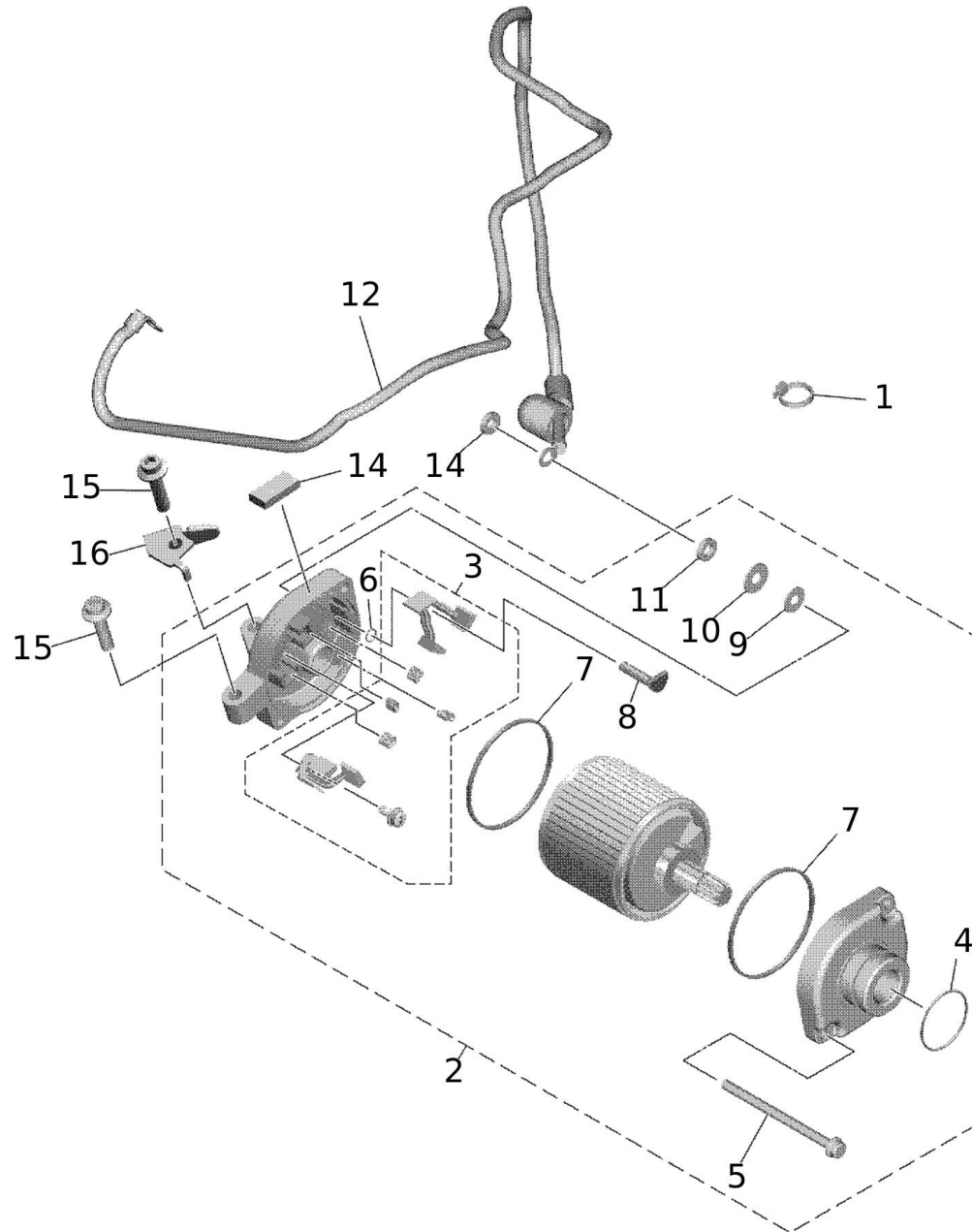
#	Code	Description	Specification	UM	Qty
1	06919005	SEGMENT		pz	1
2	05986005	PIN SHIFT		pz	1
3	07323005	LEVER, SHIFT 2		pz	1
4	05987005	ROLLER SHIFT LEVER		pz	1
5	05988005	PAWL SHIFTER		pz	2
6	05989005	SPRING COMPRESSION		pz	2
7	05990005	PIN PAWL		pz	2
8	06921005	GUIDE SHIFT		pz	1
9	05992005	BOLT		pz	2
10	07325005	SHIFT SHAFT ASSY		pz	1
11	06923005	COLLAR		pz	1
12	06924005	MOLLA DI TORSIONE		pz	1
13	05982005	PIN DOWEL		pz	1
14	06925005	SHIFT PEDAL ASSY		pz	1
15	06926005	BOLT WITH WASHER		pz	1
16	06927005	OIL SEAL		pz	1



#	Code	Description	Specification	UM	Qty
1	09221005	TAMBURO DESMODROMICO	XEF	pz	1
2	06906005	PIN SLIDE		pz	1
3	06907005	SPRING COMPRESSION		pz	1
4	06197005	BEARING		pz	1
5	06908005	BEARING		pz	1
6	07320005	FORK SHIFT 1		pz	1
7	07321005	FORK, SHIFT 2		pz	1
8	07322005	FORK SHIFT 3		pz	1
9	06912005	BAR SHIFT FORK GUIDE 1		pz	1
10	06913005	BAR SHIFT FORK GUIDE 2		pz	1
11	06914005	SPRING COMPRESSION		pz	4
12	06915005	STOPPER LEVER ASSY		pz	1
13	06916005	MOLLA DI TORSIONE		pz	1
14	06917005	BOLT WITH WASHER		pz	1
15	06918005	SPACER		pz	1

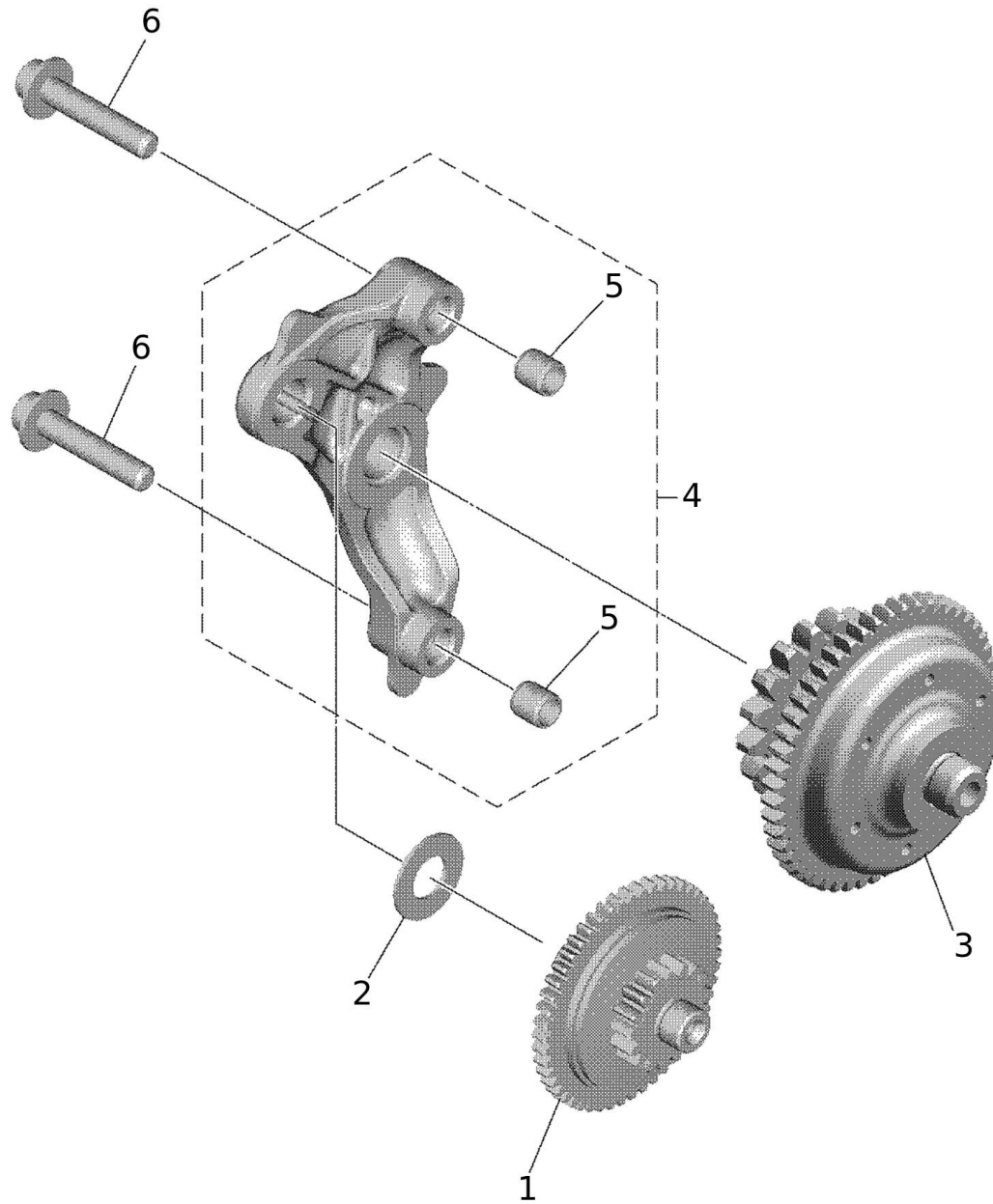


#	Code	Description	Specification	UM	Qty
1	07287005	BEARING		pz	1
2	07288005	ALBERO PRIMARIO	XE	pz	1
3	07289005	GEAR, 5TH PINION(25T)	XE	pz	1
4	07290005	WASHER, PLATE (T=1.0)		pz	1
5	07291005	CIRCLIP		pz	3
6	09217005	INGRANAGGIO MOVENTE 3A MARCIA (16T)	XE	pz	1
7	09218005	INGRANAGGIO MOVENTE 4A MARCIA (20T)	XE	pz	1
8	07294005	COLLAR		pz	1
9	07295005	INGRANAGGIO MOVENTE 2A MARCIA (15T)	XE	pz	1
10	07296005	JOINT		pz	1
11	07297005	BEARING		pz	1
12	07298005	BEARING		pz	1
13	07299005	DRIVE AXLE		pz	1
14	07300005	INGRANAGGIO CONDOTTO 1A MARCIA (29T)	XE	pz	1
15	07301005	COLLAR		pz	1
16	07302005	WASHER PLATE		pz	1
17	07303005	GEAR, 5TH WHEEL(21T)	XE	pz	1
18	07291005	CIRCLIP		pz	1
19	07304005	JOINT		pz	1
20	09219005	INGRANAGGIO CONDOTTO 3A MARCIA (21T)	XE	pz	1
21	07290005	WASHER, PLATE (T=1.0)		pz	1
22	07306005	CIRCLIP		pz	1
23	09220005	INGRANAGGIO CONDOTTO 4A MARCIA (21T)	XE	pz	1
24	07308005	JOINT		pz	1
25	07309005	INGRANAGGIO CONDOTTO 2A MARCIA (26T)	XE	pz	1
26	07310005	COLLAR		pz	1
27	07311005	BEARING		pz	1
28	07312005	OIL SEAL		pz	1
29	07313005	COLLAR		pz	1
30	07314005	O-RING		pz	1
31	08736005	PIGNONE (13T)		pz	1
32	07316005	WASHER, LOCK		pz	1
33	07317005	NUT		pz	1
34	07318005	PLATE, COVER		pz	1
35	09187005	BOLT WITH WASHER		pz	2
36	08570005	BOCCOLA GOMMATURA PIGNONE XE 450		pz	2
37	08571005	GOMMATURA PIGNONE XE450		pz	2
38	08573005	MOLLA TAZZA 40.0X20.4X1		pz	2

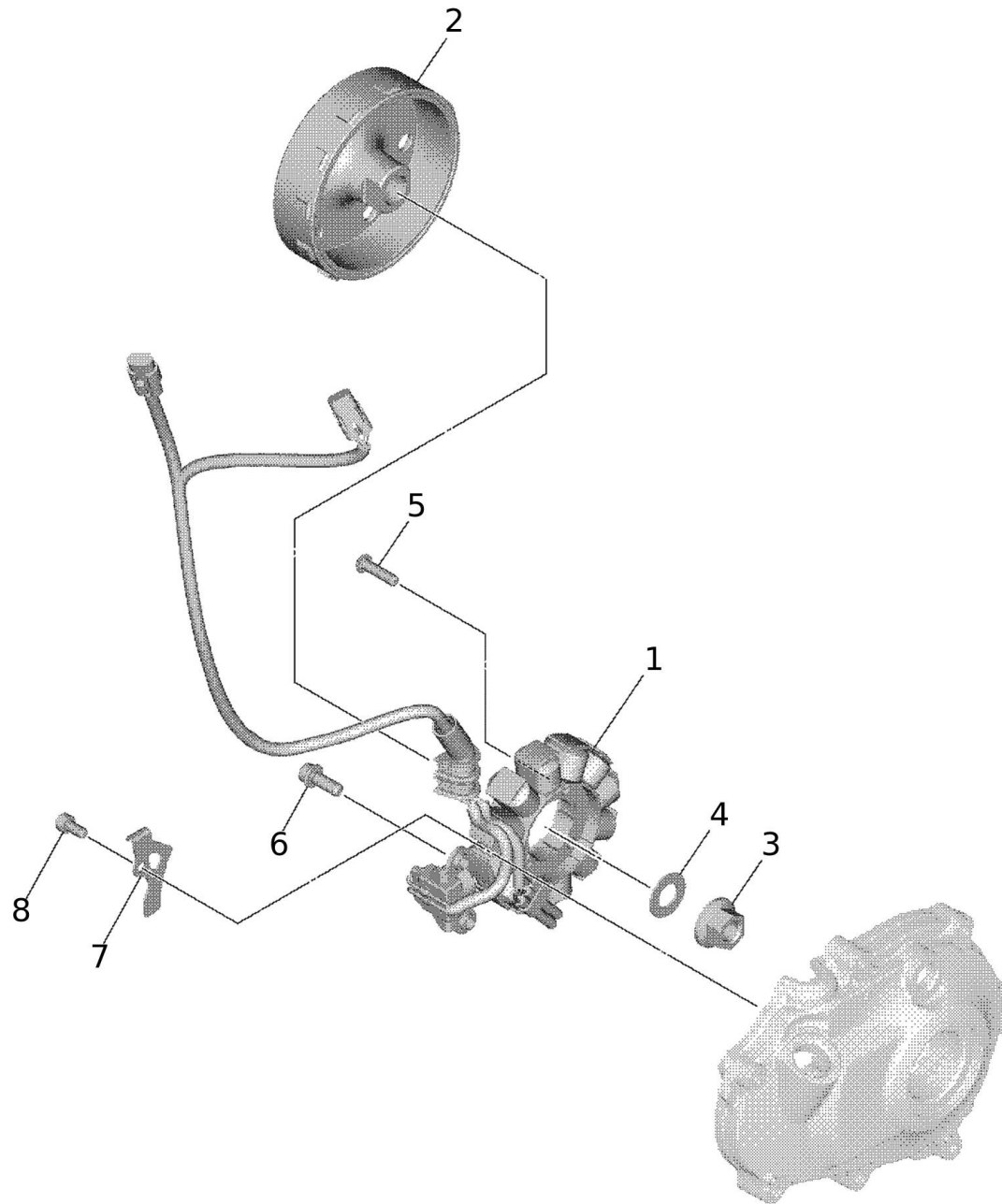




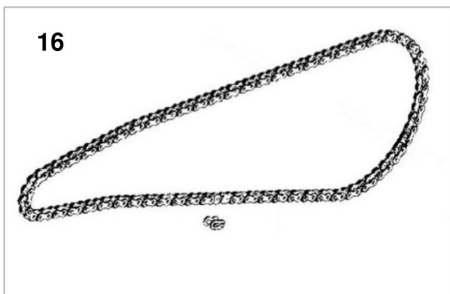
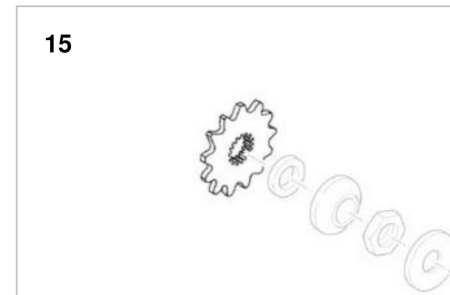
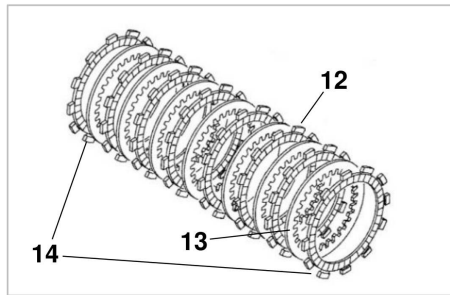
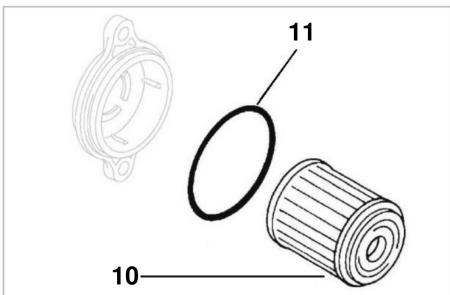
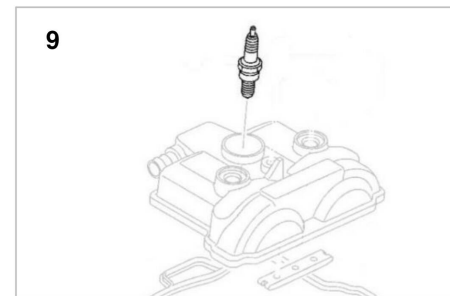
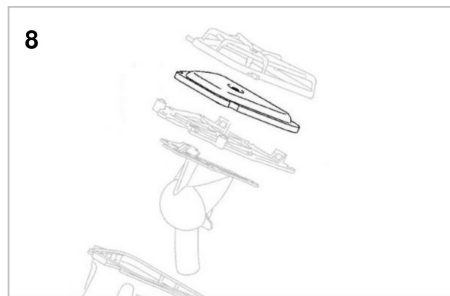
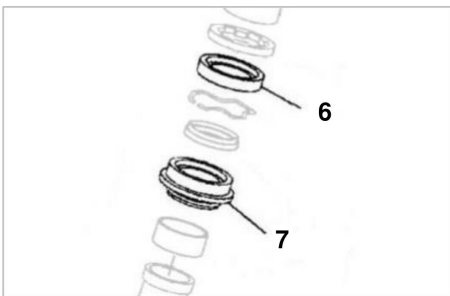
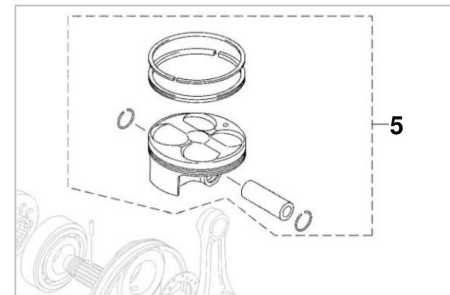
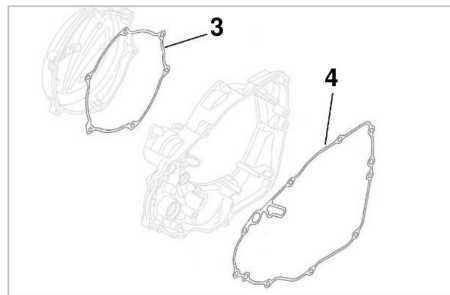
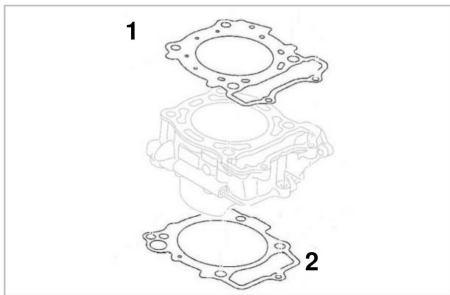
#	Code	Description	Specification	UM	Qty
1	07340005	FASCETTA		pz	1
2	07342005	MOTOR ASSY		pz	1
3	07343005	.BRUSH SET		pz	1
4	07344005	O-RING 1		pz	1
5	07345005	SCREW, PAN HEAD		pz	2
6	07346005	O-RING 1		pz	1
7	07347005	GASKET		pz	2
8	07348005	SCREW, PAN HEAD		pz	1
9	07349005	WASHER PLATE		pz	1
10	07350005	JOINT		pz	1
11	07351005	NUT		pz	1
12	07352005	CAVO	XEF	pz	1
13	07351005	NUT		pz	1
14	09527005	GROMMET		pz	1
15	07353005	BOLT, HEXAGON SOCKET HEAD		pz	2
16	07341020	COVER		pz	1



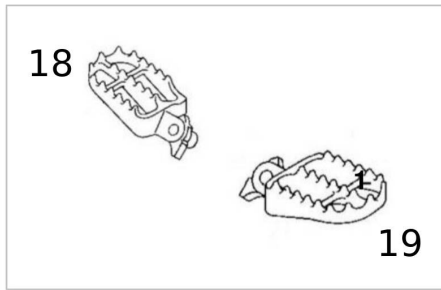
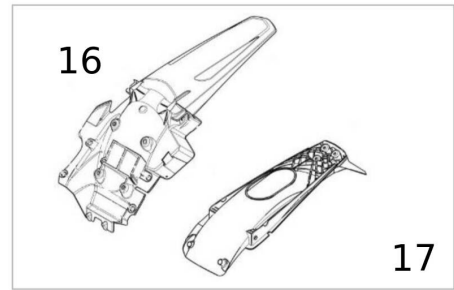
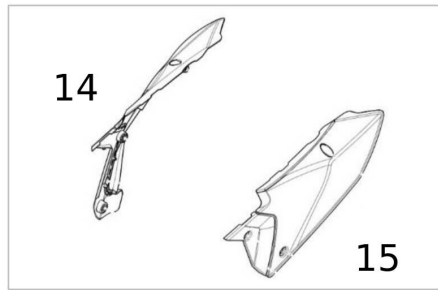
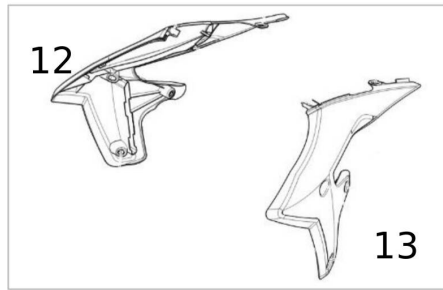
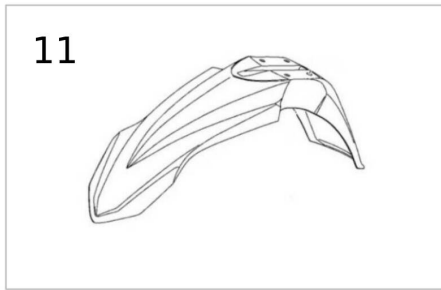
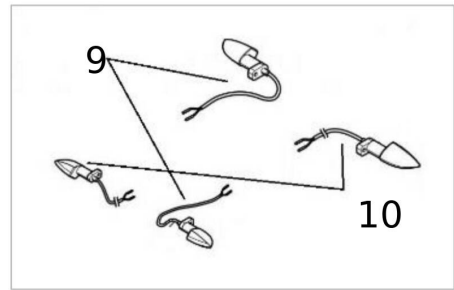
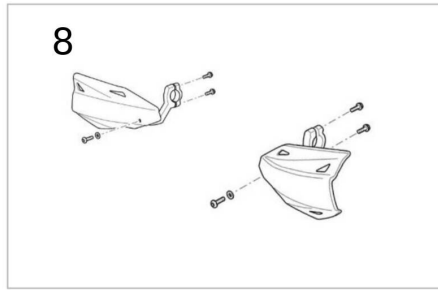
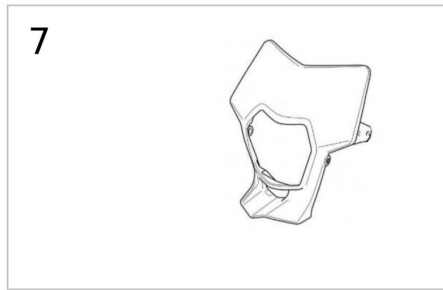
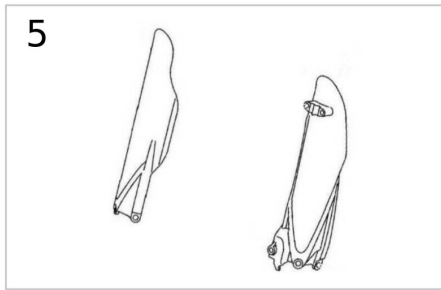
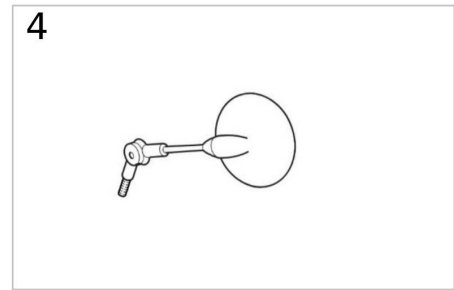
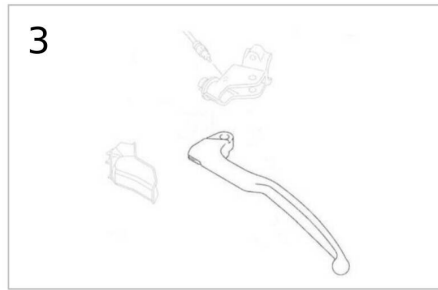
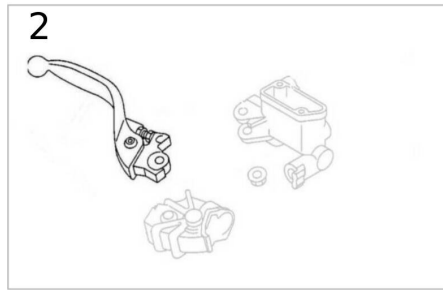
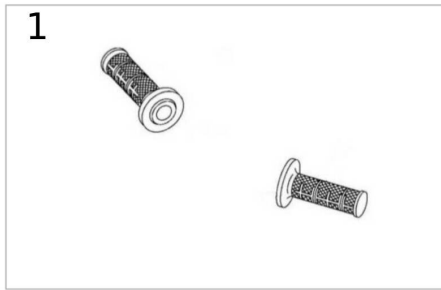
#	Code	Description	Specification	UM	Qty
1	07267005	DAMPER ASSY		pz	1
2	06350005	WASHER		pz	1
3	07268005	STARTER CLUTCH ASSY		pz	1
4	07269020	HOLDER		pz	1
5	07270005	PIN, DOWEL		pz	2
6	07271005	BOLT, HEXAGON SOCKET HEAD		pz	2



#	Code	Description	Specification	UM	Qty
1	09228005	BASE ASSY	XEF	pz	1
2	07093005	ROTOR ASSY	XEF	pz	1
3	07094005	NUT		pz	1
4	06376005	WASHER PLATE		pz	1
5	07095005	SCREW, PAN HEAD		pz	3
6	07096005	BOLT, HEXAGON SOCKET HEAD		pz	2
7	07097005	CLAMP 1		pz	1
8	07098005	BOLT, HEXAGON SOCKET HEAD		pz	1



#	Code	Description	Specification	UM	Qty
1	07168005	GASKET, CYLINDER HEAD 1		pz	1
2	07178005	GASKET CYLINDER		pz	1
3	07265005	GASKET CRANKCASE COVER		pz	1
4	07263005	GASKET, CRANKCASE COVER 3		pz	1
5	07197020	KIT PISTONE		pz	1
6	07011005	OIL SEAL		pz	2
7	06114005	SEAL DUST		pz	2
8	06765005	ELEMENT, AIR CLEANER		pz	1
9	07540005	CANDELA NGK LMAR8G		pz	1
10	06746005	ELEMENT ASSY OIL CLEANER		pz	1
11	06748005	O-RING		pz	1
12	07282005	PLATE, FRICTION		pz	1
13	07278005	PLATE, CLUTCH 1		pz	1
14	07279005	PLATE, FRICTION		pz	1
15	08736005	PIGNONE (13T)		pz	1
16	06268005	CHAIN 520 114 LINKS WITH MASTER JOINT	XEF	pz	1
16	09379001	CATENA DID 520 114 MAGLIE APERTA	XXF	pz	1
17	07060005	SPROCKET DRIVEN (51T)		pz	1
17	07061005	SPROCKET DRIVEN (48T)		pz	1
17	07062005	SPROCKET DRIVEN (50T)		pz	1
17	07063005	SPROCKET DRIVEN (52T)		pz	1
17	08468001	CORONA POST 51D MY22		pz	1
17	08696005	CORONA POST Z 50 MY22		pz	1
17	08697005	CORONA POST 49D MY22		pz	1
18	09225020	KIT MINUTERIE OFF-ROAD		pz	1





#	Code	Description	Specification	UM	Qty
1	07437005	OFF-ROAD KNOB PAIR		pz	1
2	08740005	LEVA FRENO ANT.		pz	1
3	07110005	LEVER 1	XEF	pz	1
4	07407005	REAR-VIEW MIRROR E-141 WITH IRON CLAMP		pz	2
5	07364005	KIT FORK GUARD XEF	XEF	pz	1
7	07501005	HEADLIGHT FAIRING XE/XEF		pz	1
8	02163005	HANDGUARD (WHITE) WITHOUT STICKER		pz	1
9	05120005	DIRECTION INDICATOR FRONT RH / REAR LH	XEF	pz	2
10	05121005	DIRECTION INDICATOR FRONT LH / REAR RH	XEF	pz	2
11	07500005	FRONT FENDER OFF-ROAD WHITE		pz	1
12	07506005	SIDE FAIRING		pz	1
13	07505005	SIDE FAIRING		pz	1
14	07508005	SIDE FAIRING		pz	1
15	07507005	SIDE FAIRING		pz	1
16	07509005	MUDGUARD	XEF	pz	1
16	08117005	PARAFANGO POSTERIORE XXF	XXF	pz	1
17	07368005	LICENSE PLATE		pz	1
18	08532005	PEDANA DESTRA		pz	1
19	08531005	PEDANA SINISTRA		pz	1
20	07078005	PEDAL, BRAKE		pz	1
21	06925005	SHIFT PEDAL ASSY		pz	1