



Spare parts catalogue
XEF-XXF 250-310 MY23-MY24

Index

Models	4
Frame	6
Swingarm	9
AMMORTIZZATORE POSTERIORE	11
Steering plates	13
Fork	15
Front wheel	18
Rear wheel	20
Front brake	23
Rear brake	25
Radiators	28
Fuel	30
Aspiration	32
Exhaust	35
Controls	37
Front Bodywork	40
Tank bodywork	42
Rear Bodywork	44
Wiring XEF	47
Wiring XXF	50
Booklets - Decalco	53
Crankcase	55
Crankcase Covers	57
Head - Cylinder	59
Valves	61
Distribution	63
Crankshaft	65
Clutch	67
Water pump	69
Oil Pump	71

Oil filter	73
Shift control	75
Desmodromic	77
Gear Shift	79
MOTORINO AVVIAMENTO	82
INGRANAGGIO AVVIAMENTO	84
Flywheel	86
100 - Suggested Spare Parts 4 Stroke	88
101 - Suggested Spare Parts 4 Stroke	91



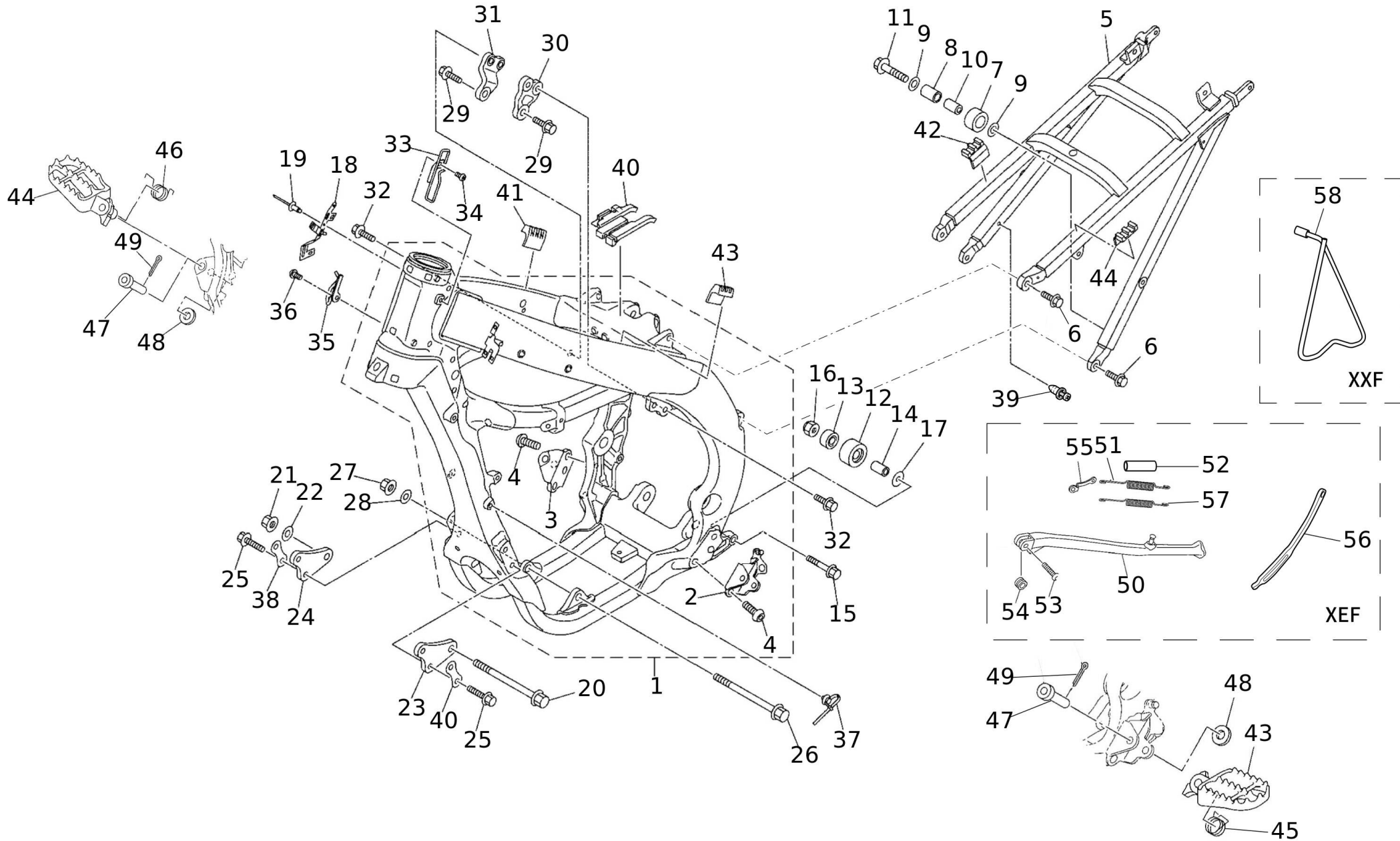
XXF 250
XXF



XEF 250
XEF

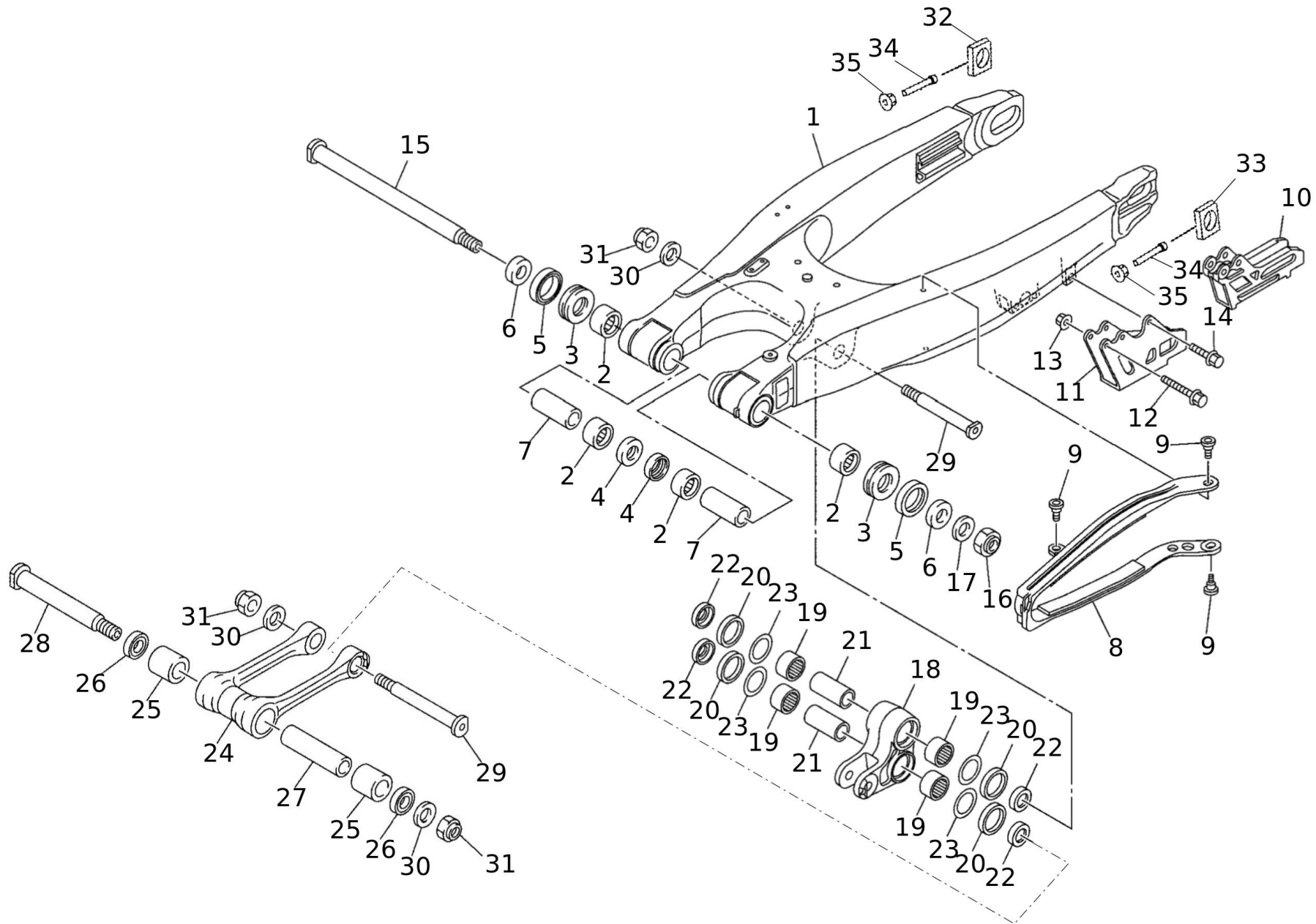
#	Code	Description	Specification	UM	Qty
---	------	-------------	---------------	----	-----



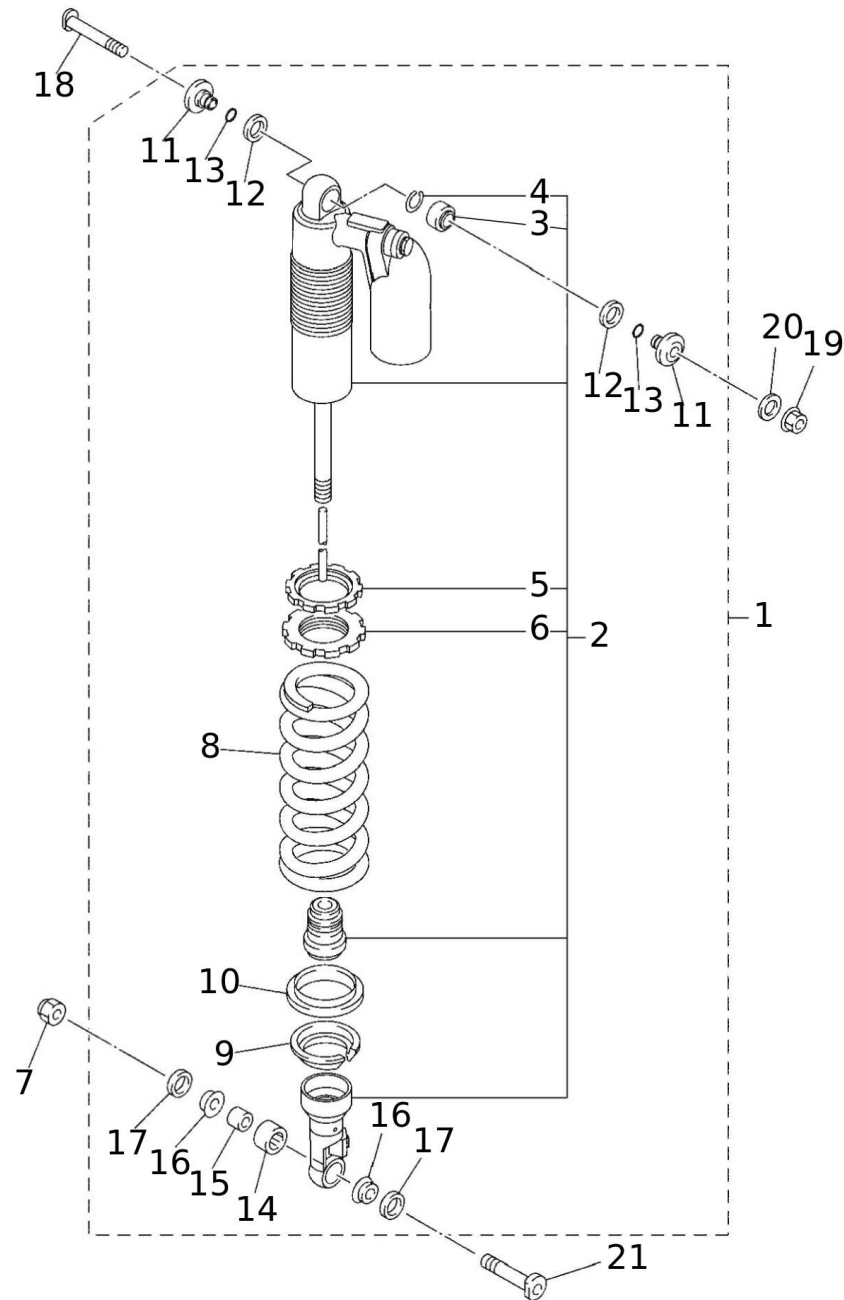


#	Code	Description	Specification	UM	Qty
1	06928020	GRUPPO TELAIO ANTERIORE	XEF	pz	1
1	08247005	GRUPPO TELAIO ANTERIORE	XXF	pz	1
2	06929005	SUPPORTO PEDANA SX	XEF	pz	1
2	08248005	SUPPORTO PEDANA SX	XXF	pz	1
3	06930005	SUPPORTO PEDANA DX		pz	1
4	05997005	SCREW		pz	4
5	06931005	TELAJETTO POSTERIORE	XXF	pz	1
5	08402005	FRAME	XEF	pz	1
6	06932005	BOLT FLANGE		pz	4
7	06004005	TENSIONER		pz	1
8	06005005	BOCCOLA		pz	1
9	06006005	WASHER PLATE		pz	2
10	06007005	BOCCOLA		pz	1
11	06933005	BOLT FLANGE DEEP RECESS		pz	1
12	06934005	TENSIONER		pz	1
13	06010005	BEARING		pz	1
14	06011005	BOCCOLA		pz	1
15	06935005	BOLT FLANGE		pz	1
16	06013005	NUT SELF-LOCKING		pz	1
17	06014005	WASHER PLATE		pz	1
18	06936005	BRACKET, BATTERYBOX	XEF	pz	1
18	08249005	BRACKET, BATTERYBOX	XXF	pz	1
19	06937005	RIVET BLIND		pz	2
20	06938005	BOLT FLANGE		pz	1
21	06016005	NUT		pz	1
22	06350005	WASHER PLATE		pz	1
23	06939005	SUPPORTO ANTERIORE BASSO 1	XEF	pz	1
23	08250005	SUPPORTO ANTERIORE BASSO 1	XXF	pz	1
24	07580005	SUPPORTO ANTERIORE BASSO 2	XXF	pz	1
25	06941005	BOLT FLANGE		pz	4
26	06022005	BOLT FLANGE		pz	1
27	06016005	NUT		pz	1
28	06350005	WASHER PLATE		pz	1
29	06942005	BOLT FLANGE		pz	2
30	06943005	SUPPORTO POSTERIORE ALTO 1	XEF	pz	1
30	07581005	SUPPORTO POSTERIORE ALTO 1	XXF	pz	1
31	06944005	SUPPORTO POSTERIORE ALTO 2	XEF	pz	1
31	07582005	SUPPORTO POSTERIORE ALTO 2	XXF	pz	1
32	06941005	BOLT FLANGE	XEF	pz	4
32	07578005	VITE M8x18 (TF 12) TE FLANGIA 17 (CH. 12)	XXF	pz	4

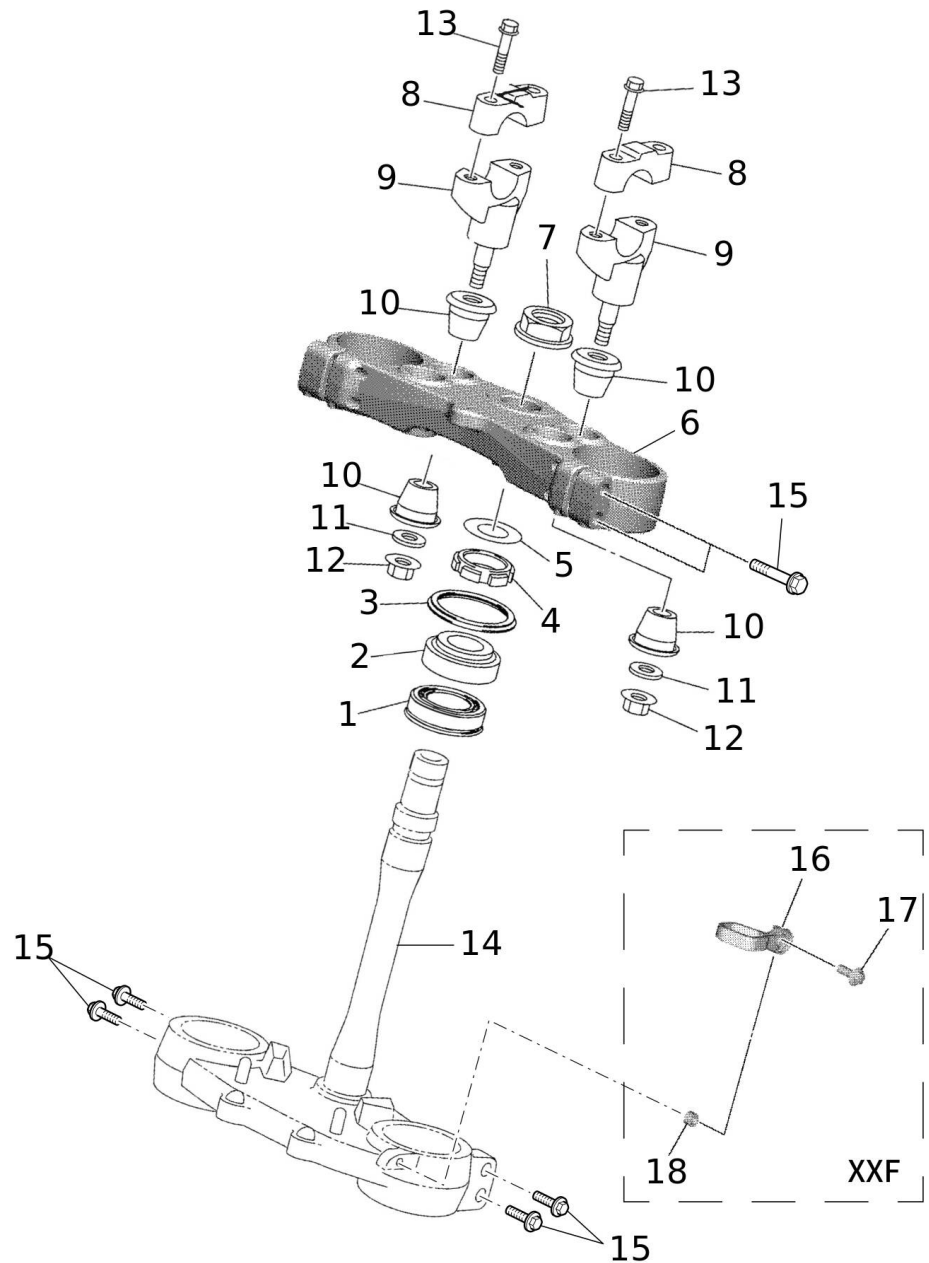
#	Code	Description	Specification	UM	Qty
33	06946005	HOLDER WIRE		pz	1
34	06947005	BOLT BUTTON HEAD		pz	1
35	08253005	HOLDER WIRE	XXF	pz	1
35	08522005	HOLDER WIRE	XEF	pz	1
36	06947005	BOLT BUTTON HEAD		pz	1
37	06949005	FASCETTA		pz	1
38	07601005	SUPPORTO ANTERIORE BASSO 2	XEF	pz	2
39	06951005	RIVET		pz	1
40	06952005	GOMMINO TELAIO 1		pz	1
41	06953005	DAMPER LOCATING 2		pz	2
42	06954005	GOMMINO TELAIO 3		pz	2
43	08531005	PEDANA SINISTRA		pz	1
44	08532005	PEDANA DESTRA		pz	1
45	06340005	MOLLA DI TORSIONE	XXF	pz	1
45	07083005	MOLLA DI TORSIONE	XEF	pz	1
46	06341005	MOLLA DI TORSIONE		pz	1
47	06342005	PIN CLEVIS		pz	2
48	06343005	WASHER PLATE		pz	2
49	06344005	PIN COTTER		pz	2
50	07084005	STAND SIDE	XEF	pz	1
51	08562005	MOLLA CAVALLETTO XEF ESTERNA	XEF	pz	1
52	07086005	HOSE (L70)	XEF	pz	1
53	07087005	BOLT,HEX. SOCKET BUTTON	XEF	pz	1
53	07668005	SIDE STAND RETURN PIN XE	XEF	pz	1
54	07088005	BOCCOLA	XEF	pz	1
55	07089005	LINK SIDE STAND	XEF	pz	1
56	08152005	KICKSTAND BAND	XEF	pz	1
57	07420005	SPRING	XEF	pz	1
58	08718005	SUPPORTO LATERALE XXF	XXF	pz	1



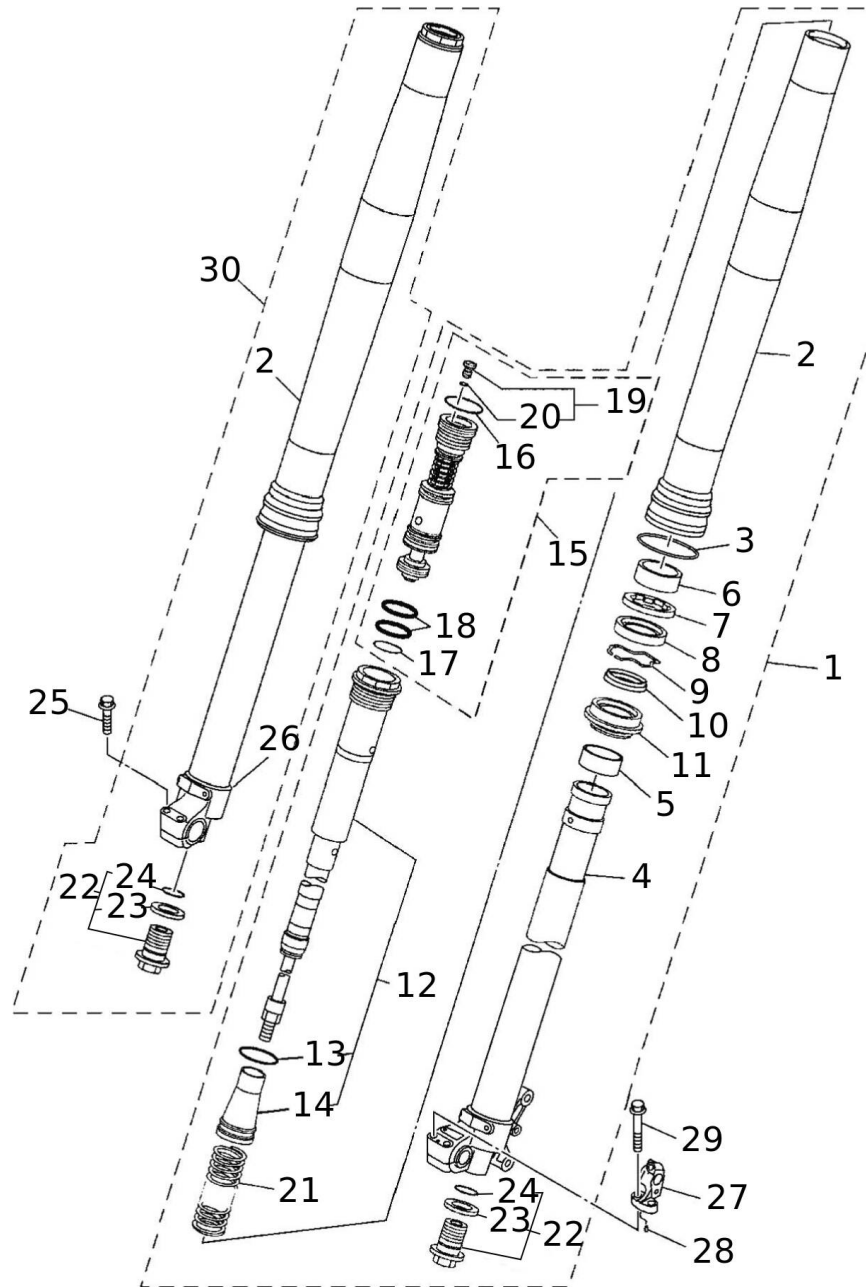
#	Code	Description	Specification	UM	Qty
1	06980005	FORCELLONE	XXF	pz	1
1	08540005	FORCELLONE	XEF	pz	1
2	06034005	BEARING		pz	4
3	06035005	BEARING		pz	2
4	06036005	OIL SEAL		pz	2
5	06037005	OIL SEAL		pz	2
6	06981005	BOCCOLA		pz	2
7	06984005	BOCCOLA		pz	2
8	06985005	SEAL GUARD		pz	1
9	06041005	SCREW		pz	3
10	06042005	SUPPORT CHAIN		pz	1
11	06043005	COPERTURA SUPPORTO CATENA		pz	1
12	06044005	BOLT FLANGE		pz	2
13	06625005	NUT FLANGE		pz	2
14	06617005	BOLT FLANGE DEEP RECESS		pz	1
15	06986005	SHAFT PIVOT		pz	1
16	06048005	NUT SELF-LOCKING		pz	1
17	06049005	WASHER PLATE		pz	1
18	06987005	ARM RELAY		pz	1
19	06051005	BEARING		pz	4
20	06052005	OIL SEAL		pz	4
21	06988005	BOCCOLA		pz	2
22	06054005	WASHER PLATE		pz	4
23	06055005	WASHER PLATE		pz	4
24	06989005	ROD CONNECTING		pz	1
25	06051005	BEARING		pz	2
26	06058005	OIL SEAL		pz	2
27	06059005	BOCCOLA		pz	1
28	06990005	SHAFT 1		pz	1
29	06991005	SHAFT 2		pz	2
30	06062005	WASHER PLATE		pz	3
31	06063005	NUT SELF-LOCKING		pz	3
32	06253005	PULLER, CHAIN 1	XEF	pz	1
32	08283005	PULLER, CHAIN 1	XXF	pz	1
33	06254005	PULLER CHAIN 2	XEF	pz	1
33	08284005	PULLER CHAIN 2	XXF	pz	1
34	06255005	BOLT		pz	2
35	05627005	NUT		pz	2



#	Code	Description	Specification	UM	Qty
1	07599020	AMMORTIZZATORE POST XEF250 MY22	XEF	pz	1
1	08254005	SHOCK ABSORBER ASSY,REAR	XXF	pz	1
2	09301005	DAMPER	XXF	pz	1
2	09307005	DAMPER	XEF	pz	1
3	06070005	BUSH SHOCK ABSORBER		pz	1
4	06071005	CIRCLIP		pz	1
5	06994005	GUIDE SPRING 3		pz	1
6	06995005	SEAT SPRING UPPER		pz	1
7	06089005	NUT SELF-LOCKING		pz	1
8	07141005	SPRING (K=52 BLACK)	Accessory	pz	1
8	07142005	SPRING (K=54 BLACK)	Accessory	pz	1
8	07143005	SPRING (K=56 BLACK)	STD	pz	1
8	07144005	SPRING (K=58 BLACK)	Accessory	pz	1
8	07145005	SPRING (K=60 BLACK)	Accessory	pz	1
8	07146005	SPRING (K=50 BLACK)	Accessory	pz	1
8	07147005	SPRING (K=48 BLACK)	Accessory	pz	1
9	06996005	GUIDE SPRING 1		pz	1
10	06997005	GUIDE SPRING 2		pz	1
11	06078005	COLLAR DISTANCE		pz	2
12	06079005	PARAPOLVERE		pz	2
13	06080005	SEAL RING		pz	2
14	06081005	BEARING		pz	1
15	06082005	BEARING		pz	1
16	06083005	COLLAR DISTANCE		pz	2
17	06084005	PARAPOLVERE		pz	2
18	06085005	BOLT		pz	1
19	06086005	NUT S/L FLANGE		pz	1
20	06017005	WASHER		pz	1
21	06088005	BOLT		pz	1



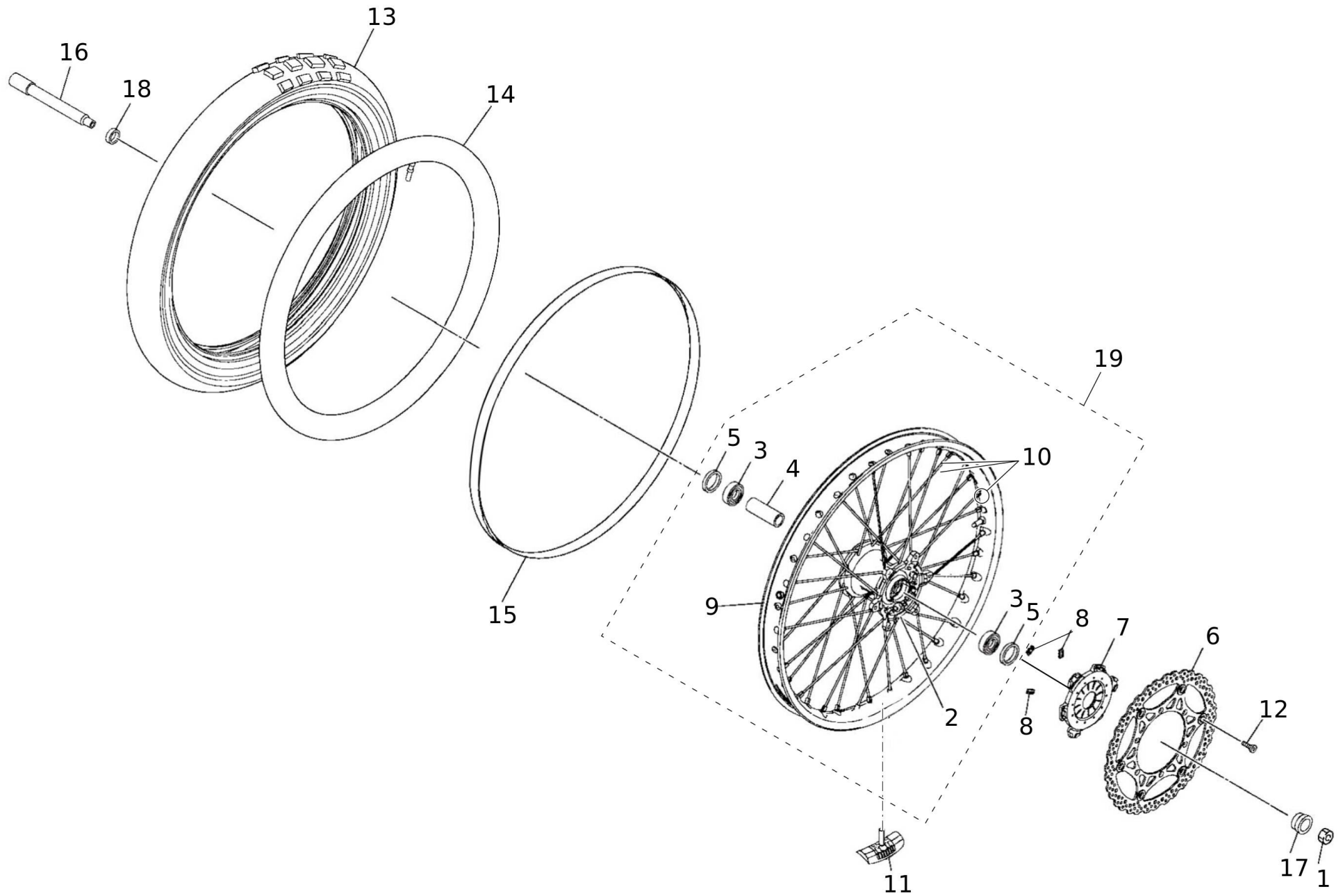
#	Code	Description	Specification	UM	Qty
1	06154005	BEARING		pz	1
2	06093005	BEARING		pz	1
3	06998005	COVER BALL RACE 2		pz	1
4	06999005	NUT		pz	1
5	06096005	WASHER PLATE (T1.0)	XXF	pz	1
5	07000005	WASHER PLATE	XEF	pz	1
6	08536005	PIASTRA DI STERZO SUPERIORE		pz	1
7	07002005	NUT		pz	1
8	08533005	SUPPORTO SUPERIORE MANUBRIO		pz	2
9	08534005	SUPPORTO INFERIORE MANUBRIO		pz	2
10	07005005	HOLDER DAMPER		pz	4
11	07006005	WASHER PLATE		pz	2
12	06086005	NUT S/L FLANGE		pz	2
13	08541005	VITE M8x30 FLANGIA 14.5 (CH. 10) INCASSO PROFONDO		pz	4
14	07018005	UNDER BRACKET COMP.	XEF	pz	1
14	08267005	UNDER BRACKET COMP.	XXF	pz	1
15	07007005	BOLT FLANGE DEEP RECESS		pz	8
16	08257005	HOLDER WIRE	XXF	pz	1
17	05758005	BOLT FLANGE	XXF	pz	1
18	08258005	BOCCOLA	XXF	pz	1



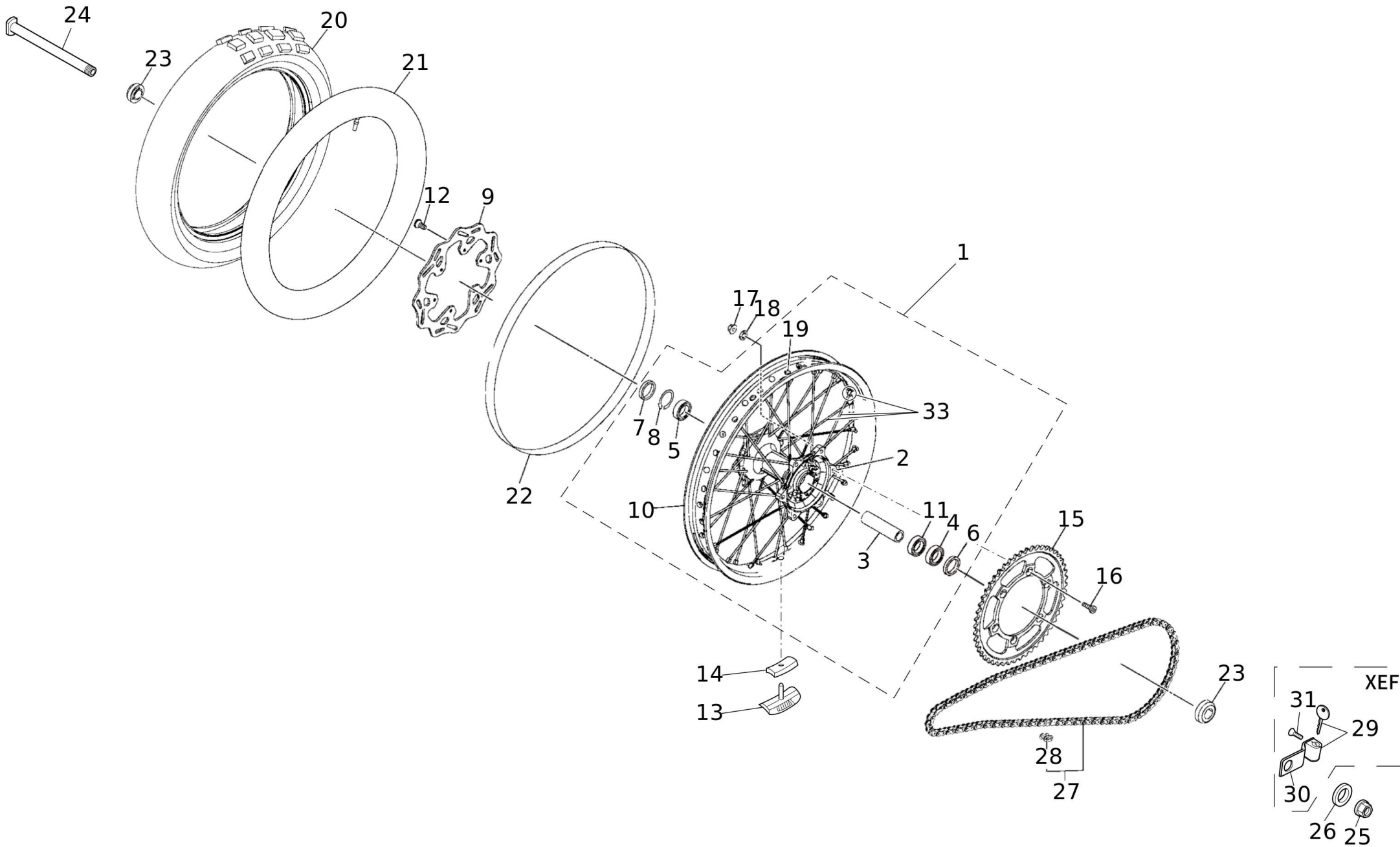
Fork

#	Code	Description	Specification	UM	Qty
1	09302005	FRONT FORK ASSY (L.H)	XXF	pz	1
1	09308005	FRONT FORK ASSY (L.H)	XEF	pz	1
2	07009005	.TUBE, OUTER	XEF	pz	2
2	08262005	.TUBE, OUTER	XXF	pz	2
3	06107005	CIRCLIP		pz	2
4	07010005	.INNERTUBECOMP. 2	XEF	pz	1
4	08260005	.INNERTUBECOMP. 2	XXF	pz	1
5	06109005	SPACER FRONT FORK		pz	2
6	06110005	METAL SLIDE 1		pz	2
7	06111005	WASHER OIL SEAL		pz	2
8	07011005	OIL SEAL		pz	2
9	06113005	RING SNAP		pz	2
10	07012005	SCRAPER	XEF	pz	2
11	06114005	SEAL DUST		pz	2
12	09305005	CYLINDER COMP. FRONT FORK	XXF	pz	2
12	09310005	CYLINDER COMP. FRONT FORK	XEF	pz	2
13	09192005	O-RING		pz	2
14	07013005	SEAT SPRING UPPER		pz	2
15	09304005	VALVE COMP.	XXF	pz	2
15	09306005	VALVE COMP.	XEF	pz	2
16	09194005	O-RING		pz	2
17	06121005	O-RING		pz	2
18	09195005	O-RING		pz	4
19	06123005	AIR VALVE COMP.		pz	2
20	09198005	O-RING		pz	2
21	07015005	SPRING FRONT FORK (K=4.6)	STD XEF	pz	2
21	07148005	SPRING FRONT FORK (K=4.5)	Accessory	pz	2
21	07149005	SPRING FRONT FORK (K=4.7)	STD XXF	pz	2
21	07150005	SPRING FRONT FORK (K=4.8)	Accessory	pz	2
21	07151005	SPRING FRONT FORK (K=4.9)	Accessory	pz	2
21	07152005	SPRING FRONT FORK (K=5.0)	Accessory	pz	2
21	07153005	SPRING FRONT FORK (K=5.1)	Accessory	pz	2
21	07154005	SPRING FRONT FORK (K=4.1)	Accessory	pz	2
21	07155005	SPRING FRONT FORK (K=4.2)	Accessory	pz	2
21	07156005	SPRING FRONT FORK (K=4.3)	Accessory	pz	2
21	07157005	SPRING FRONT FORK (K=4.4)	Accessory	pz	2
22	09199005	BOLT ADJUSTING		pz	2
23	06127005	SEAL		pz	2
24	09200005	SEAL		pz	2
25	07007005	BOLT FLANGE DEEP RECESS		pz	2

#	Code	Description	Specification	UM	Qty
26	07017005	.INNER TUBE COMP.1	XEF	pz	1
26	08263005	.INNER TUBE COMP.1	XXF	pz	1
27	07020005	BRACKET 1	XEF	pz	1
28	07021005	PIN DOWEL	XEF	pz	2
29	07022005	BOLT FLANGE DEEP RECESS	XEF	pz	2
30	09303005	FRONT FORK ASSY (R.H)	XXF	pz	1
30	09309005	FRONT FORK ASSY (R.H)	XEF	pz	1

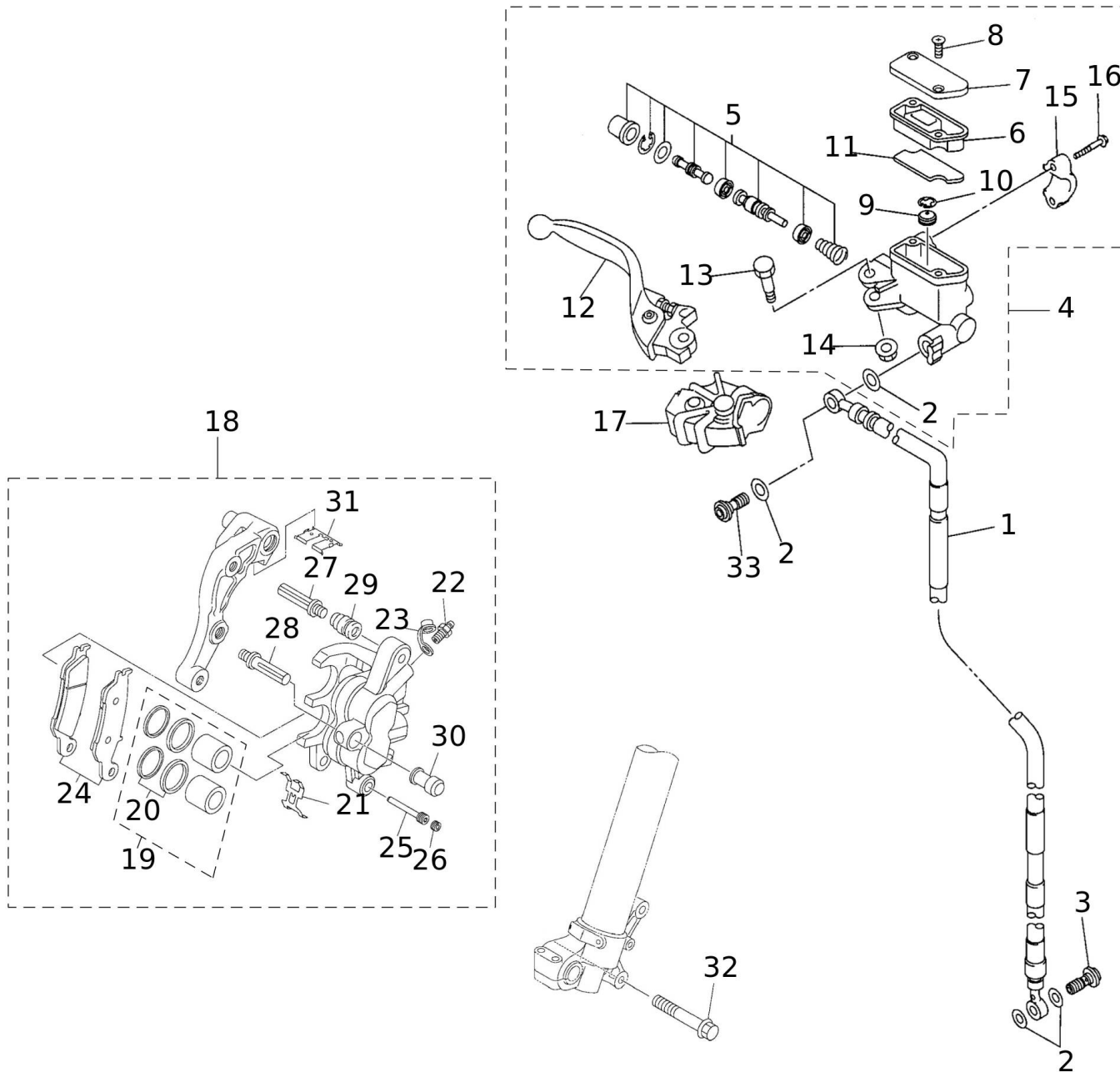


#	Code	Description	Specification	UM	Qty
1	07057005	NUT		pz	1
2	08154005	HUB FRONT		pz	1
3	07048005	BEARING	XXF	pz	2
3	07597005	BEARING	XEF	pz	2
4	07049005	SPACER BEARING		pz	1
5	07050005	OIL SEAL		pz	2
6	07547005	GRUPPO DISCO FRENO	XXF	pz	1
6	08424005	FR. BRAKE DISK ASSY	XEF	pz	1
7	07058005	ROTOR SENSOR	XEF	pz	1
8	07059005	GOMMINO	XEF	pz	3
9	08131005	RIM (1.60-21)	XEF	pz	1
9	08302005	RIM (1,60-21)	XXF	pz	1
10	06201005	SPOKE SET FRONT		pz	1
11	06205005	SPACER BEAD		pz	1
12	06212005	SCREW COUNTERSUNK		pz	6
13	08438005	PNEUMATICO 80/100-21 MX32 MID SOFT	XXF	pz	1
13	08441005	TIRE	XEF	pz	1
14	00234005	INNER TUBE-FRONT 21" CASA		pz	1
15	07531005	FLAP R21 1430 X 22		pz	1
16	08530005	PERNO RUOTA ANTERIORE		pz	1
17	07052005	COLLAR, WHEEL	XEF	pz	1
17	08274005	COLLAR, WHEEL	XXF	pz	1
18	07053005	COLLAR, WHEEL		pz	1
19	09367020	CERCHIO RAGGIATO ANT XEF 250 MY22	XEF	pz	1
19	09368020	CERCHIO RAGGIATO ANT XXF 250	XXF	pz	1

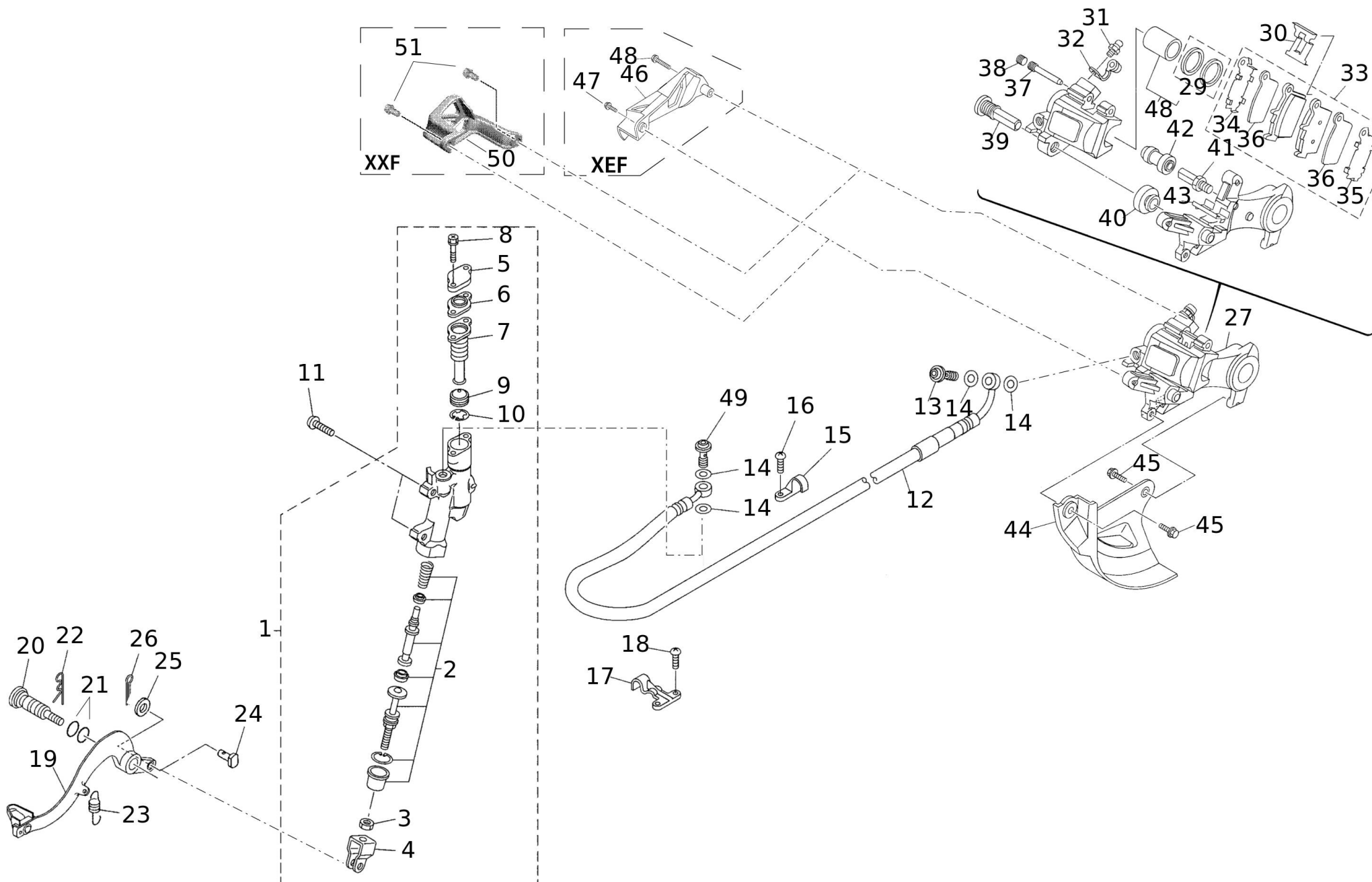


#	Code	Description	Specification	UM	Qty
1	09061020	RR. RIM XE 125 ASSY	XEF	pz	1
1	09369020	CERCHIO RAGGIATO POST XXF 250	XXF	pz	1
2	06228005	MOZZO POSTERIORE	XEF	pz	1
2	08275005	MOZZO POSTERIORE	XXF	pz	1
3	06229005	SPACER, BEARING	XEF	pz	1
3	08276005	SPACER, BEARING	XXF	pz	1
4	06230005	BEARING	XEF	pz	1
4	08277005	BEARING	XXF	pz	1
5	06231005	BEARING	XEF	pz	1
5	08277005	BEARING	XXF	pz	1
6	06232005	OIL SEAL	XEF	pz	1
6	08030005	OIL SEAL	XXF	pz	1
7	06233005	OIL SEAL	XEF	pz	1
7	08030005	OIL SEAL	XXF	pz	1
8	06234005	CIRCLIP	XEF	pz	1
8	08279005	CIRCLIP	XXF	pz	1
9	06270005	DISCO FRENO POSTERIORE 2	XEF	pz	1
9	07548005	DISCO FRENO POSTERIORE 2	XXF	pz	1
10	08132005	RIM (2.15-18)	XEF	pz	1
10	08281005	RIM(1.85-19)	XXF	pz	1
11	08277005	BEARING	XXF	pz	1
12	06212005	SCREW COUNTERSUNK		pz	6
13	06240005	SPACER BEAD	XXF	pz	1
13	06267005	SPACER BEAD	XEF	pz	1
14	06241005	DAMPER		pz	1
15	06242005	SPROCKET DRIVEN (48T)	Accessory XXF	pz	1
15	06243005	SPROCKET DRIVEN (47T)	Accessory XXF	pz	1
15	06247005	SPROCKET DRIVEN (52T)	Accessory XXF	pz	1
15	07060005	SPROCKET DRIVEN (51T)	Accessory XEF	pz	1
15	07061005	SPROCKET DRIVEN (48T)	Accessory XEF	pz	1
15	07062005	SPROCKET DRIVEN (50T)	Accessory XEF	pz	1
15	07063005	SPROCKET DRIVEN (52T)	Accessory XEF	pz	1
15	08128005	SPOROCKET	STD XEF	pz	1
15	08468001	CORONA POST 51D MY22	Accessory XXF	pz	1
15	08696005	CORONA POST Z 50 MY22	STD XXF	pz	1
15	08697005	CORONA POST 49D MY22	Accessory XXF	pz	1
16	06248005	BOLT		pz	6
17	06249005	NUT SELF-LOCKING		pz	6
18	06014005	WASHER PLATE		pz	6
19	06251005	GOMMINO		pz	1

#	Code	Description	Specification	UM	Qty
20	08439005	PNEUMATICO 100/90-19 MX32 MID SOFT	XXF	pz	1
20	08485005	PNEUMATICO 140/80-18 METZELER 6 DAYS	XEF	pz	1
21	08452005	CAMERA ARIA 100/90-19 120/80-19	XXF	pz	1
21	08454005	INNER TUBE	XEF	pz	1
22	07529005	FLAP R19 1370 X 25	XXF	pz	1
22	07530005	FLAP R18 1290 X 27	XEF	pz	1
23	07586005	PARAPOLVERE	XXF	pz	2
23	07596005	COLLARINO	XEF	pz	2
24	06257005	PERNO RUOTA POSTERIORE	XEF	pz	1
24	08285005	PERNO RUOTA POSTERIORE	XXF	pz	1
25	06258005	NUT SELF-LOCKING	XEF	pz	1
25	08286005	NUT, SELF-LOCKING	XXF	pz	1
26	06259005	WASHER PLATE	XEF	pz	1
26	08287005	WASHER, PLATE	XXF	pz	1
27	06268005	CHAIN 520 114 LINKS WITH MASTER JOINT	XEF	pz	1
27	09379001	CATENA DID 520 114 MAGLIE APERTA	XXF	pz	1
28	06269005	JOINT CHAIN(DID520MXV5 ZJ)	XEF	pz	1
28	08713005	JOINT, CHAIN(DID520DM G&B-RJ)	XXF	pz	1
29	07386005	REAR SPROCKET LOCK XE/XEF	XEF	pz	1
30	07393005	REAR SPROCKET LOCK SUPPORTING BRACKET	XEF	pz	1
31	07444005	M6X12 SCREW COUNTERSUNK	XEF	pz	2
32	07394005	REAR SPROCKET LOCK WASHER	XEF	pz	1
33	06263005	SPOKE SET REAR	XEF	pz	1
33	08280005	SPOKE SET, REAR	XXF	pz	1



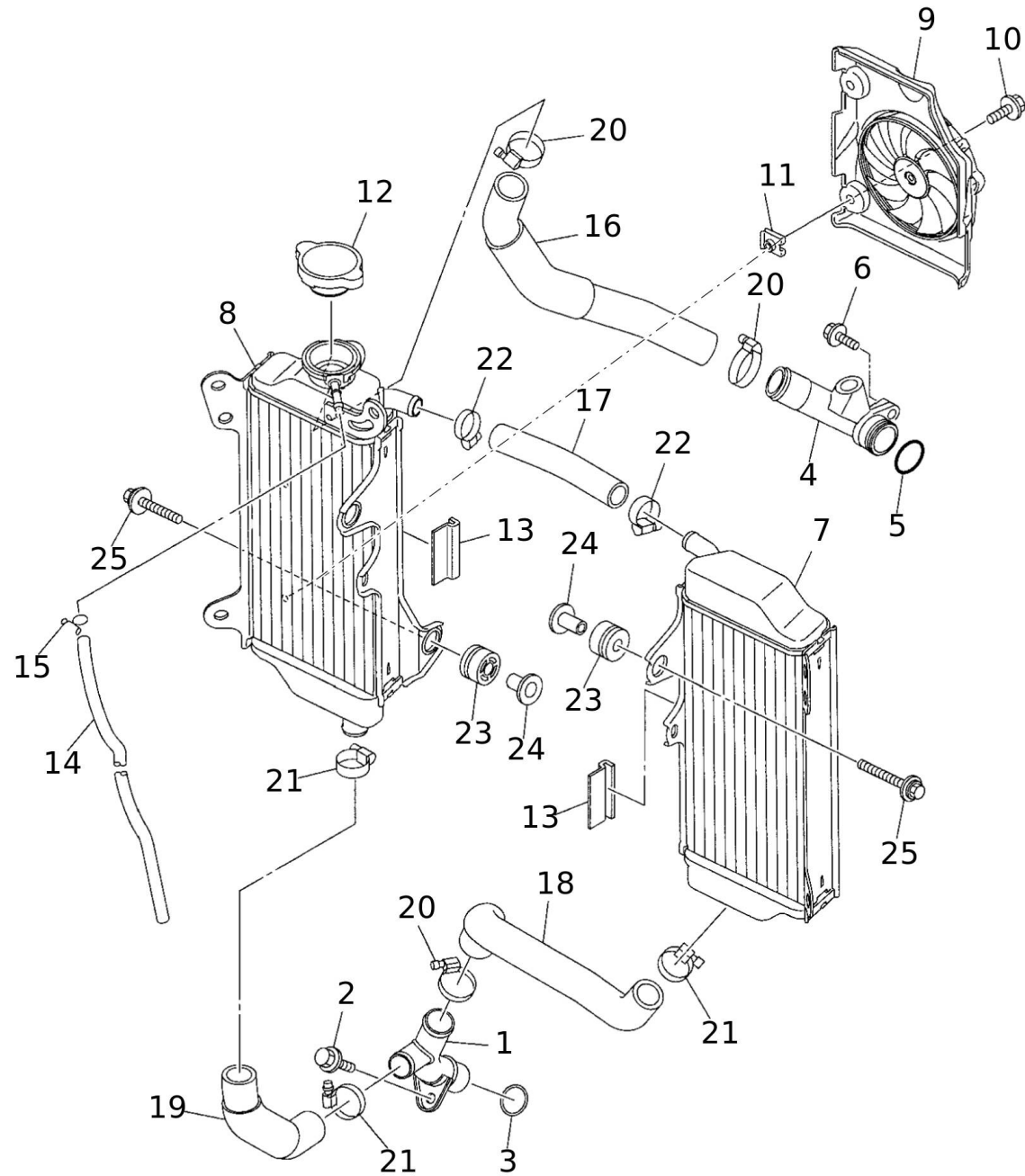
#	Code	Description	Specification	UM	Qty
1	07077005	TUBO FRENO 1	XEF	pz	1
1	08291005	TUBO FRENO 1	XXF	pz	1
2	06313005	SEAL		pz	4
3	06314005	BOLT UNION		pz	1
4	09075020	FR. MASTER CYLINDER ASSY XX MY22		pz	1
5	06316005	CYLINDER KIT MASTER		pz	1
6	06317005	DIAPHRAGM RESERVOIR		pz	1
7	06318005	CAP RESERVOIR		pz	1
8	06319005	SCREW FLAT HEAD		pz	2
9	06320005	SEPARATOR ASSY		pz	1
10	06321005	CIRCLIP		pz	1
11	06322005	FLOAT RESERVOIR		pz	1
12	08740005	LEVA FRENO ANT.		pz	1
13	06324005	BOLT LEVER		pz	1
14	06325005	NUT WITH WASHER		pz	1
15	06326005	BRACKET MASTER CYLINDER		pz	1
16	06327005	BOLT FITTING		pz	2
17	06328005	COVER HANDLE LEVER 1		pz	1
18	08428005	ASSIEME PINZA FRENO ANT		pz	1
19	08426001	PISTON ASSY CALIPER		pz	1
20	08460001	CALIPER SEAL KIT		pz	1
21	08462001	SUPPORT PAD		pz	1
22	06217005	DRAIN SCREW		pz	1
23	06218005	CAPPUCCIO		pz	1
24	08739005	PASTIGLIE FRENO ANT		pz	1
25	06220005	PIN PAD		pz	1
26	06221005	PLUG		pz	1
27	06222005	VITE		pz	1
28	06223005	PIN ARM		pz	1
29	06224005	BOOT CALIPER		pz	1
30	06225005	BOOT 2		pz	1
31	06226005	SUPPORT PAD		pz	1
32	06227005	BOLT FLANGE		pz	2
33	03259005	STOP SWITCH	XEF	pz	1
33	06314005	BOLT UNION	XXF	pz	1



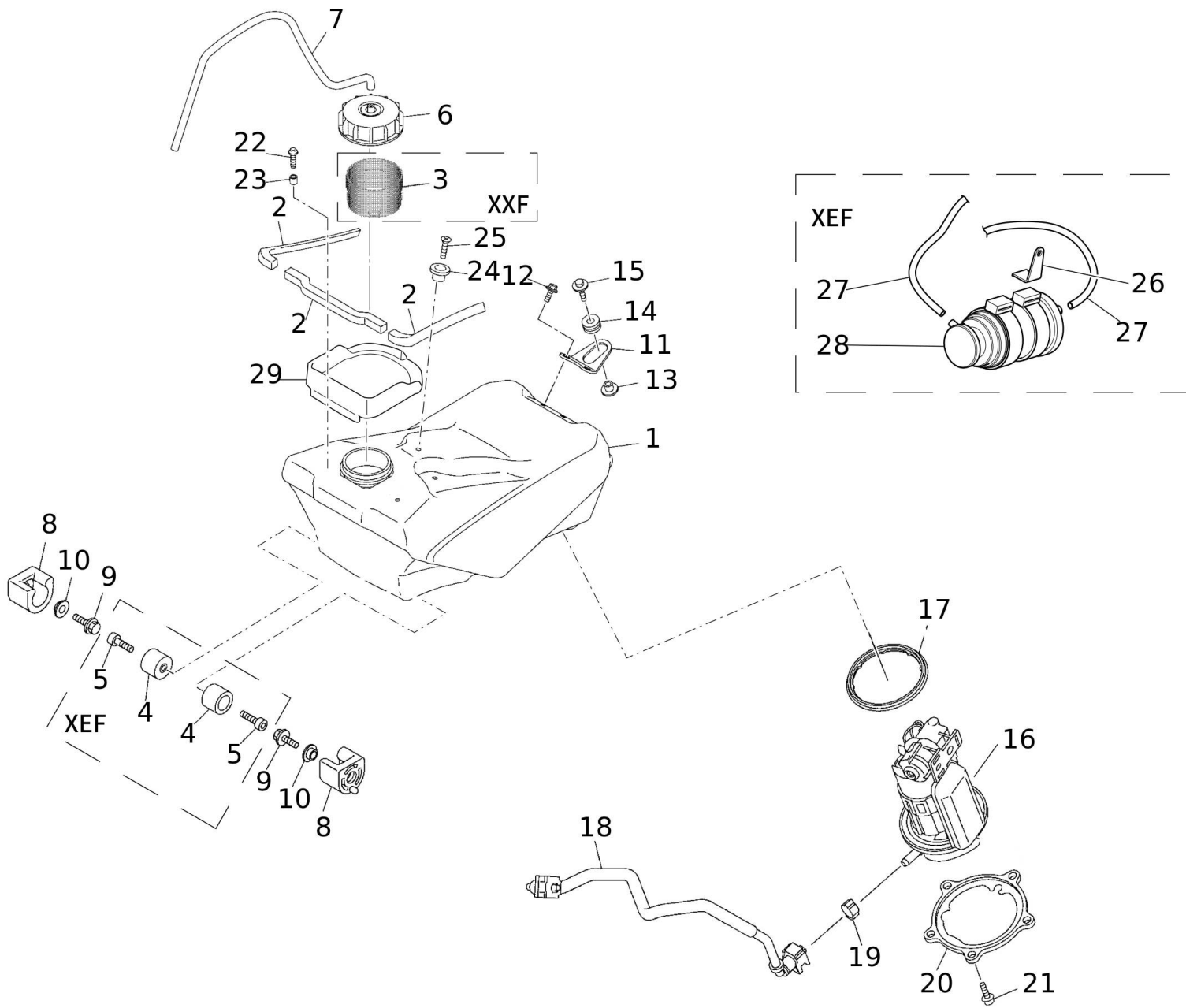
Rear brake

#	Code	Description	Specification	UM	Qty
1	07090020	GRUPPO POMPA FRENO POSTERIORE		pz	1
2	06355005	CYLINDER KIT MASTER		pz	1
3	06356005	NUT		pz	1
4	06357005	JOINT		pz	1
5	06358005	CAP RESERVOIR		pz	1
6	06359005	PLATE DIAPHRAGM		pz	1
7	06360005	DIAPHRAGM RESERVOIR		pz	1
8	06361005	BOLT		pz	2
9	06320005	SEPARATOR ASSY		pz	1
10	06321005	CIRCLIP		pz	1
11	07091005	BOLT,HEX. SOCKET BUTTON		pz	2
12	06365005	TUBO FRENO 2	XEF	pz	1
12	07544005	TUBO FRENO 2	XXF	pz	1
13	06314005	BOLT UNION		pz	1
14	06313005	SEAL		pz	4
15	06368005	HOLDER BRAKE HOSE		pz	1
16	06369005	SCREW PAN HEAD		pz	2
17	06370005	HOLDER BRAKE HOSE 2		pz	1
18	06369005	SCREW PAN HEAD		pz	2
19	07078005	PEDALE FRENO		pz	1
20	07079005	BOLT		pz	1
21	06332005	O-RING		pz	2
22	06333005	CIRCLIP		pz	1
23	07080005	SPRING TENSION		pz	1
24	06335005	PIN CLEVIS		pz	1
25	06336005	WASHER PLATE		pz	1
26	06337005	PIN COTTER		pz	1
27	07065020	CALIPER ASSY, REAR 2	XEF	pz	1
27	08289005	CALIPER ASSY, REAR 2	XXF	pz	1
28	06273005	PISTON ASSY CALIPER		pz	1
29	06274005	CALIPER SEAL KIT		pz	1
30	06275005	SUPPORT PAD		pz	1
31	06217005	DRAIN SCREW		pz	1
32	06218005	CAPPUCCIO		pz	1
33	06277005	BRAKE PAD KIT 2	XXF	pz	1
33	07066020	BRAKE PAD KIT 2	XEF	pz	1
34	06278005	SHIM CALIPER		pz	1
35	06279005	SHIM CALIPER		pz	1
36	06280005	INSULATOR HEAT		pz	2
37	06281005	PIN PAD		pz	1

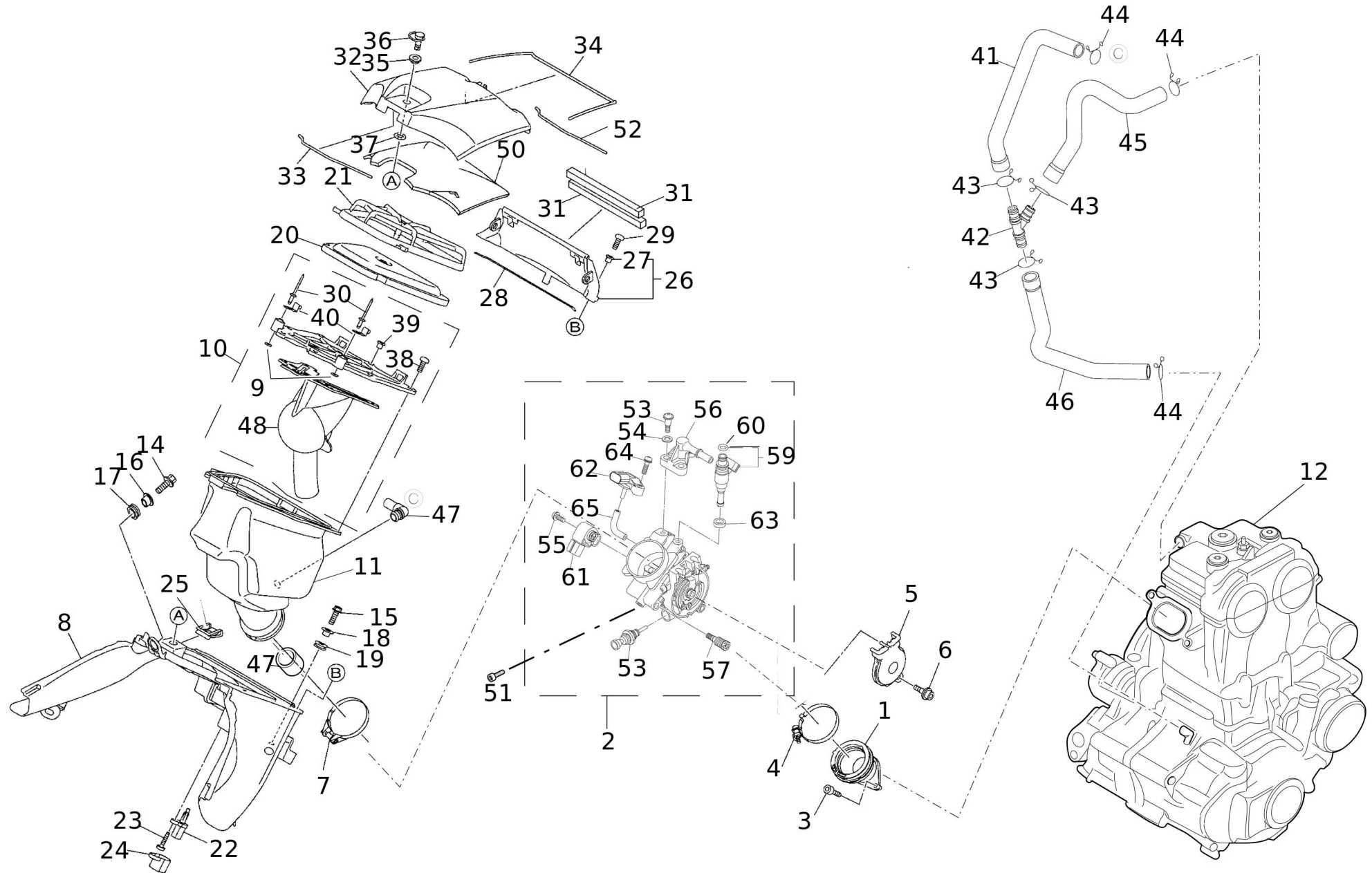
#	Code	Description	Specification	UM	Qty
38	06221005	PLUG		pz	1
39	06283005	PIN ARM		pz	1
40	06224005	BOOT CALIPER		pz	1
41	06285005	PIN ARM		pz	1
42	06225005	BOOT 2		pz	1
43	06287005	RETAINER		pz	1
44	06288005	PROTECTOR DISK BRAKE		pz	1
45	06722005	BOLT FLANGE DEEP RECESS		pz	2
46	06290005	PROTEZIONE PINZA	XEF	pz	1
47	06722005	BOLT FLANGE DEEP RECESS	XEF	pz	1
48	08542005	BOLT FLANGE DEEP RECESS	XEF	pz	1
49	02112005	STOP SWITHC (BRAKING)	XEF	pz	1
49	06314005	BOLT UNION	XXF	pz	1
50	07543005	PROTEZIONE PINZA	XXF	pz	1
51	06722005	BOLT FLANGE DEEP RECESS	XXF	pz	2



#	Code	Description	Specification	UM	Qty
1	06721005	RACCORDO 2		pz	1
2	06722005	BOLT FLANGE DEEP RECESS		pz	1
3	06723005	O-RING		pz	1
4	06724005	JOINT		pz	1
5	06725005	O-RING		pz	1
6	06726005	BOLT FLANGE DEEP RECESS		pz	1
7	06727005	RADIATORE SX		pz	1
8	06728005	RADIATORE DX	XEF	pz	1
8	08214005	RADIATOR COMP	XXF	pz	1
9	06729005	VENTOLA RAFFREDDAMENTO	XEF	pz	1
10	06730005	BOLT	XEF	pz	3
11	06731005	NUT 1	XEF	pz	3
12	06732005	CAP RADIATOR		pz	1
13	06733005	DAMPER RADIATOR		pz	2
14	05713005	TUBE FLEXIBLE VINYL		pz	1
15	05714005	CLIP		pz	1
16	06734005	TUBO 1		pz	1
17	06735005	HOSE 2		pz	1
18	06736005	TUBO 3		pz	1
19	06737005	TUBO 4		pz	1
20	05722005	HOSE CLAMP ASSY		pz	3
21	05724005	HOSE CLAMP ASSY		pz	3
22	05723005	HOSE CLAMP ASSY		pz	2
23	06738005	GOMMINO		pz	4
24	05726005	BOCCOLA		pz	4
25	06739005	BOLT WITH WASHER		pz	4

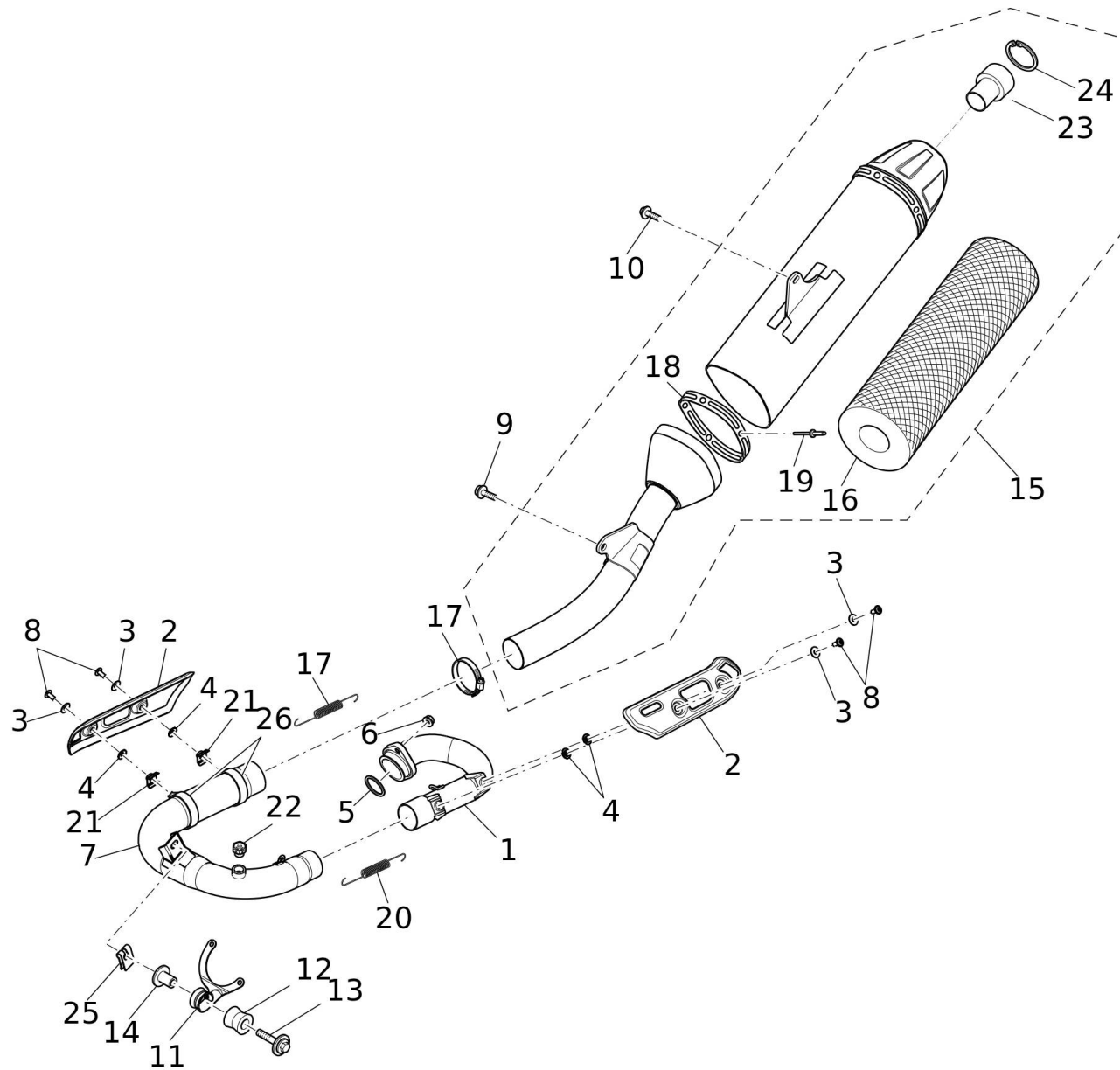


#	Code	Description	Specification	UM	Qty
1	07023005	FUEL TANK COMP.	XEF	pz	1
1	08268005	FUEL TANK COMP.	XXF	pz	1
2	04325005	STICKER NEOPRENE 5X20		cm	1
3	08269005	BOCCOLA TAPPO BENZINA	XXF	pz	1
4	07025005	BOSS	XEF	pz	2
5	07026005	BOLT HEXAGON SOCKET HEAD	XEF	pz	2
6	07027005	CAP ASSY		pz	1
7	07028005	HOSE (L470)		pz	1
8	07029005	BRACKET FUEL TANK 1		pz	2
9	06726005	BOLT FLANGE DEEP RECESS		pz	2
10	07030005	BOCCOLA		pz	2
11	07031005	HOLDER		pz	1
12	06722005	BOLT FLANGE DEEP RECESS		pz	2
13	07032005	BOCCOLA		pz	1
14	07033005	GOMMINO		pz	1
15	07034005	BOLT WITH WASHER		pz	1
16	07035020	FUEL PUMP COMP.	XEF	pz	1
16	08270005	ASSIEME POMPA BENZINA	XXF	pz	1
17	07038005	SEAL	XEF	pz	1
17	08271005	O-RING	XXF	pz	1
18	07041005	TUBO BENZINA 1	XEF	pz	1
18	08273005	TUBO BENZINA 1	XXF	pz	1
19	07042005	CLAMP 1		pz	1
20	07039005	FLANGIA POMPA BENZINA	XEF	pz	1
20	08272005	FLANGIA POMPA BENZINA	XXF	pz	1
21	07040005	BOLT HEXAGON SOCKET HEAD		pz	6
22	07044005	BOLT,HEX. SOCKET BUTTON		pz	2
23	07045005	BOCCOLA		pz	2
24	06186005	BRACKET SEAT		pz	1
25	07043005	SCREW COUNTERSUNK		pz	1
26	08118005	HOLDER	XEF	pz	1
27	04082005	PIPE ROLLER BLACK	XEF	cm	1
28	NC450-0151	CANISTER NC450	XEF	pz	1
29	07024005	MOLD FUEL TANK		pz	1

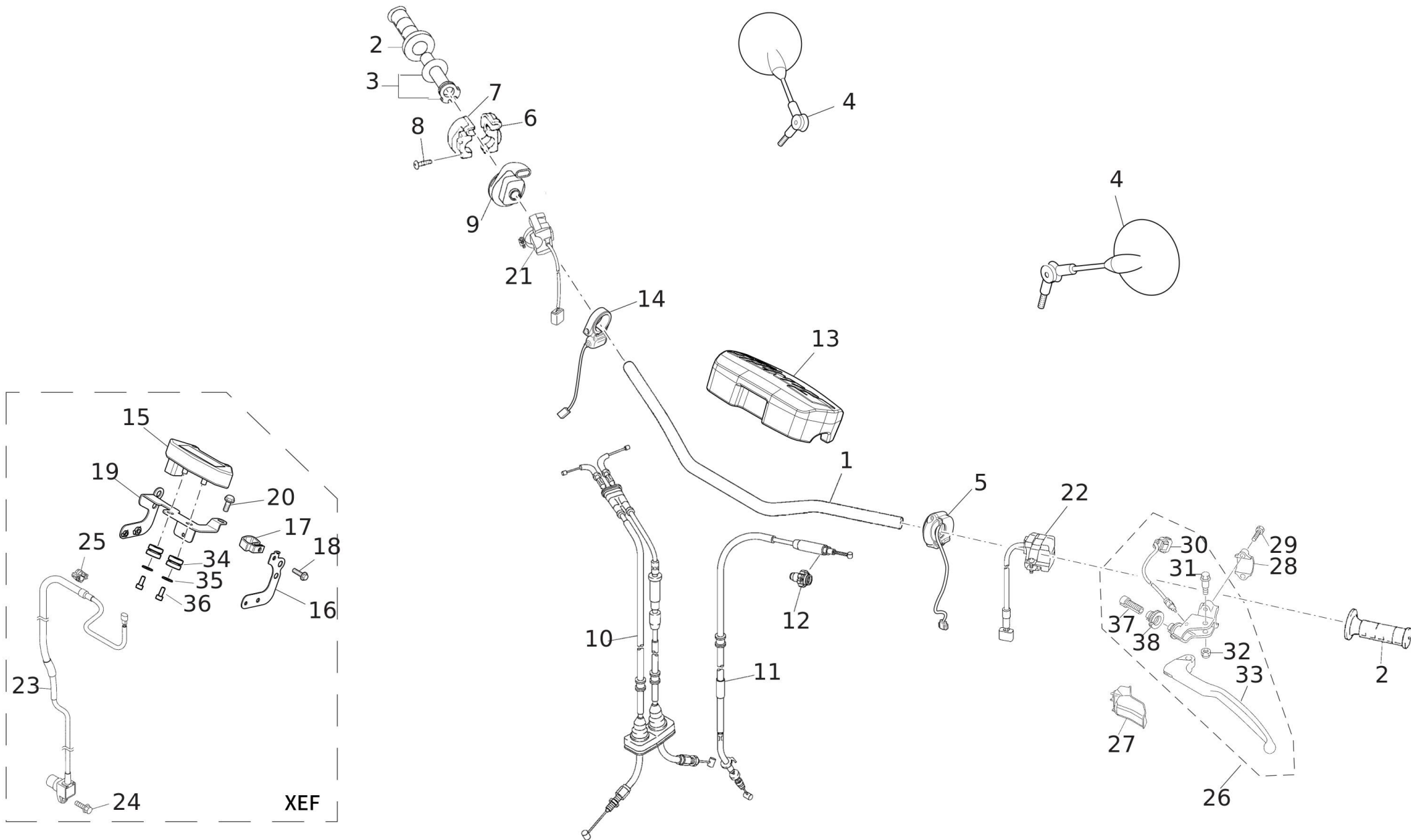


#	Code	Description	Specification	UM	Qty
1	09208005	JOINT CARBURETOR		pz	1
2	07236020	THROTTLE BODY ASSY		pz	1
2	07567005	KIT CORPO FARFALLATO		pz	1
3	06752005	VITE 6X20 TCEI5 FLANGIA 10		pz	2
4	06753005	HOSE CLAMP ASSY		pz	1
5	06754005	COVER 1		pz	1
6	06755005	BOLT HEXAGON SOCKET HEAD		pz	1
7	06756005	HOSE CLAMP ASSY		pz	1
8	06757005	CASE AIR CLEANER 1		pz	1
9	06763005	WASHER PLATE		pz	2
10	06759020	HOLDER GUIDE	XEF	pz	1
10	08216005	HOLDER, GUIDE	XXF	pz	1
11	06758005	JOINT AIR CLEANER 1	XEF	pz	1
11	09107005	CASSA FILTRO	XXF	pz	1
12	07585005	MOTORE COMPLETO XXF250 4T MY22	XXF	pz	1
12	07602005	MOTORE COMPLETO XEF250 4T MY22	XEF	pz	1
14	08367005	BOLT FLANGE		pz	1
15	06785005	BOLT FLANGE DEEP RECESS		pz	2
16	06772005	BOCCOLA		pz	1
17	06773005	GOMMINO		pz	1
18	06774005	BOCCOLA		pz	2
19	06775005	GOMMINO		pz	2
20	06765005	ELEMENT AIR CLEANER		pz	1
21	06766005	GUIDE		pz	1
22	06767005	SENSOR AIR TEMPERATURE		pz	1
23	06768005	SCREW TAPPING		pz	1
24	09295005	HOLDER		pz	1
25	06769005	PLATE SPRING		pz	1
26	06770020	COPERCHIO CASSA FILTRO 2		pz	1
27	06760005	BOCCOLA		pz	2
28	06771005	SEAL		pz	1
29	05815005	SCREW PAN HEAD		pz	2
30	06762005	RIVET BLIND (3.2X13.5 BLACK)		pz	2
31	06778005	DAMPER PLATE 6		pz	2
32	08199005	COPERCHIO CASSA FILTRO NERO 4T	XEF	pz	1
32	08931005	COPERCHIO CASSA FIL NERO CON FORI XXF250	XXF	pz	1
33	06779005	SEAL		pz	1
34	06780005	SEAL		pz	1
35	06781005	COLLAR		pz	1
36	06782005	HEAD		pz	1

#	Code	Description	Specification	UM	Qty
37	06783005	WASHER SPECIAL 1		pz	1
38	05815005	SCREW PAN HEAD		pz	7
39	06760005	BOCCOLA		pz	7
40	06761005	HINGE		pz	2
41	06802005	PIPE BREATHER 3	XEF	pz	1
42	06803005	WAY 3	XEF	pz	1
43	06804005	CLIP	XEF	pz	3
44	06805005	CLIP	XEF	pz	3
45	06800005	PIPE, BREATHER 1	XEF	pz	1
46	06801005	PIPE BREATHER 2	XEF	pz	1
47	06777005	RACCORDO	XEF	pz	1
48	07415005	INTAKE FITTING XEF	XEF	pz	1
49	06764005	CHAMBER AIR	XEF	pz	1
50	06784005	DAMPER 1	XEF	pz	1
51	04859005	SCREW	XEF	pz	1
52	09300005	SEAL	XXF	pz	1
53	06790005	SCREW ROD		pz	2
54	06791005	SEAL		pz	2
55	06792005	SCREW		pz	1
56	06793005	DELIVERY PIPE ASSY 1		pz	1
57	06794005	BOLT ADJUSTING		pz	1
58	06795005	STARTER SET		pz	1
59	06796020	.INJECTOR		pz	1
60	06797005	O-RING		pz	1
61	09095005	SENSORE ACCELEATORE		pz	1
62	06799005	SENSOR PRESSURE		pz	1
63	06787005	RUBBER INJECTOR 3		pz	1
64	06788005	SCREW		pz	1
65	06789005	RACCORDO		pz	1



#	Code	Description	Specification	UM	Qty
1	07416005	GATHERER	XEF	pz	1
1	08557005	COLLETTORE PRIMARIO SCARICO XXF 250	XXF	pz	1
2	07366005	BUCKLER		pz	2
3	05191005	SPRING		pz	4
4	00340005	WASHER-SPACE		pz	4
5	06807005	GASKET EXHAUST PIPE		pz	1
6	06808005	NUT FLANGE		pz	2
7	07417005	GATHERER	XEF	pz	1
7	08558005	COLLETTORE SECONDARIO SCARICO XXF 250	XXF	pz	1
8	00334005	SCREW-FLANGED 5X12		pz	4
9	07483005	BOLT WITH WASHER		pz	1
9	08222005	BOLT, WITH WASHER		pz	1
10	08223005	BOLT WITH WASHER		pz	1
11	06813005	STAY EXHAUST PIPE 1		pz	1
12	06814005	DAMPER MUFFLER		pz	1
13	06815005	BOLT WITH WASHER		pz	1
14	06816005	BOCCOLA		pz	1
15	08556005	SILENZIATORE XXF 250 4T CROSS	XXF	pz	1
15	08822005	SILENZIATORE XEF 250 4T ENDURO MY22	XEF	pz	1
16	08164005	SOUND ABSORBENT	XEF	pz	1
16	08938005	FONOASSORBENTE SILENZIATORE XXF250	XXF	pz	1
17	08488005	SPRING		pz	1
17	08742005	FASCETTA STRINGI TUBO Ø47/51mm	XEF	pz	1
18	09424020	KIT FASCETTE+RIVETTI SILENZIATORE XEF	XEF	pz	2
18	09425020	KIT FASCETTE+RIVETTI SILENZIATORE XXF	XXF	pz	8
19	08743005	CLIP M8 SCARICO 4T		pz	1
20	08488005	SPRING		pz	1
21	08487005	LOW FOLDED CAGE		pz	2
22	07361005	CAP	Accessory XEF	pz	1
23	09144020	KIT DB-KILLER RACING XEF250	Accessory XEF	pz	1
24	08484005	CLAMP		pz	2

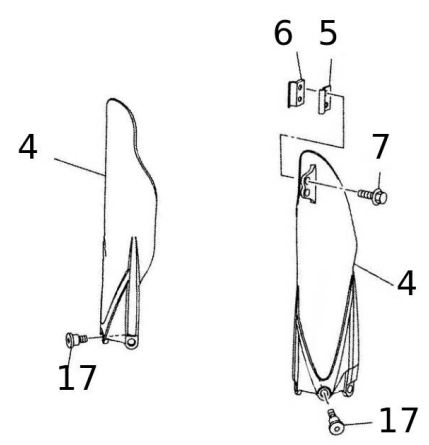
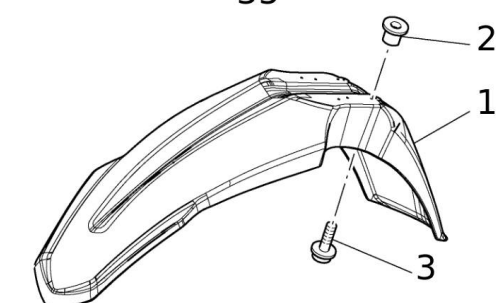
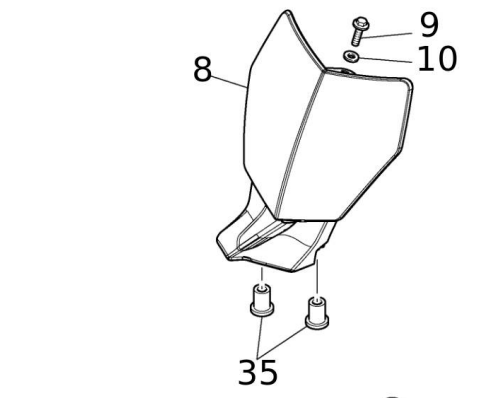
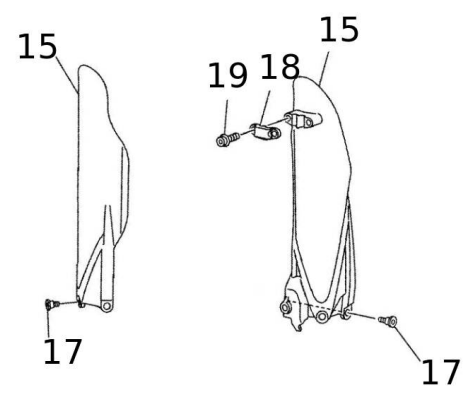
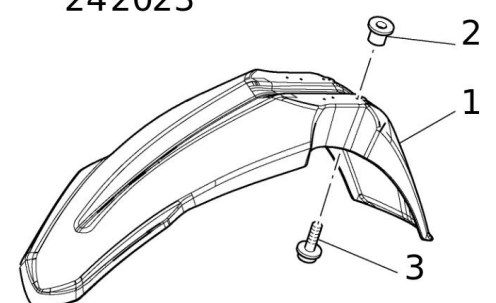
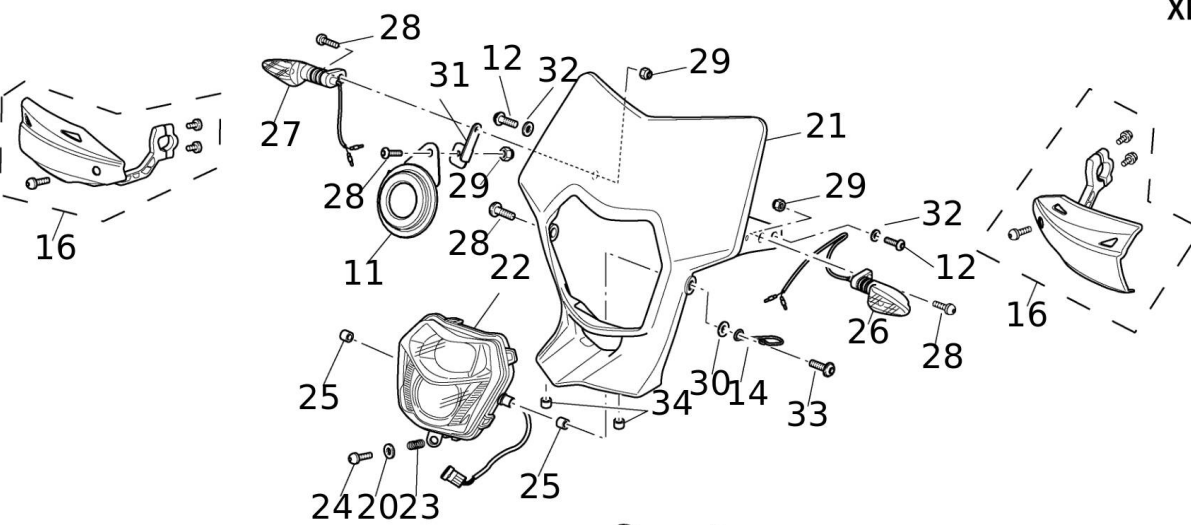


#	Code	Description	Specification	UM	Qty
1	06293005	HANDLEBAR	XXF	pz	1
1	07067005	HANDLEBAR	XEF	pz	1
2	07437005	OFF-ROAD KNOB PAIR		pz	1
3	08559020	CONTROL SET		pz	1
4	07407005	REAR-VIEW MIRROR E-141 WITH IRON CLAMP		pz	2
5	08577005	PULSANTE DOPPIA MAPPATURA OFF-ROAD		pz	1
6	07070005	CAP GRIP UPPER		pz	1
7	07071005	CAP GRIP UNDER		pz	1
8	07072005	SCREW PAN HEAD		pz	2
9	07073005	COVER CAP GRIP		pz	1
10	07074005	CAVO ACCELERATORE		pz	1
11	08290005	WIRE CLUTCH	XXF	pz	1
11	08538005	WIRE CLUTCH		pz	1
12	06310005	BOOT CABLE		pz	1
12	07076005	BOOT CABLE		pz	1
13	07532005	PROTECTOR, HANDLEBAR		pz	1
14	08582005	TASTO MODE XXF		pz	1
15	07731005	ODOMETER		pz	1
16	07422005	SUPPORT	XEF	pz	1
17	07379005	HOLDER WIRE	XEF	pz	1
18	07380005	BOLT WITH WASHER	XEF	pz	1
19	07365005	SUPPORT	XEF	pz	1
20	07433005	6x10 BOLT FLANGE		pz	1
21	07424005	LIGHT SWITCH COMMAND		pz	1
21	08464005	SWITCH,HANDLE 1	XXF	pz	1
22	07729005	MY21 CAB LIGHTS DEVICE		pz	1
22	08466005	SWITCH,HANDLE 1	XXF	pz	1
23	08535005	SENSORE VELOCITA' XEF450		pz	1
24	05836005	BOLT FLANGE		pz	1
25	07373005	FASCETTA		pz	3
26	07595020	KIT SUPPORTO LEVA 1		pz	1
26	08499020	LEVER HOLDER ASSY, 1		pz	1
27	06384005	COVER HANDLE LEVER 1		pz	1
27	07114005	COVER HANDLE LEVER 1		pz	1
28	06385005	HOLDER LEVER LOWER 1		pz	1
28	07115005	HOLDER LEVER LOWER 1		pz	1
29	05646005	BOLT		pz	2
29	06726005	BOLT FLANGE DEEP RECESS		pz	2
30	07113005	SWITCH		pz	1
31	06379005	BOLT		pz	1

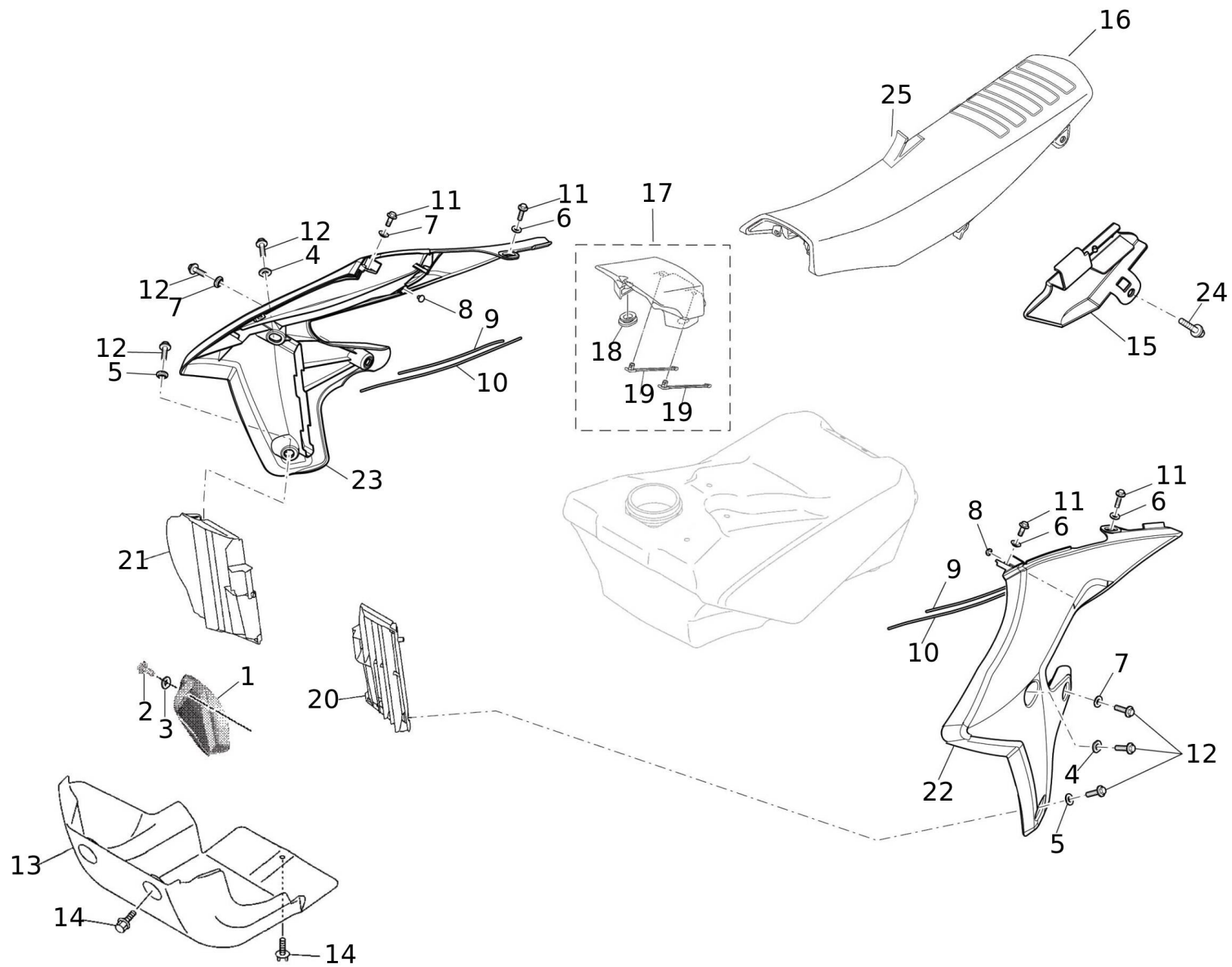
#	Code	Description	Specification	UM	Qty
32	06380005	NUT LENS FITTING		pz	1
33	07110005	LEVER 1		pz	1
33	08295005	LEVER 1		pz	1
34	08583005	KOSO CUSHION RUBBER		pz	2
35	00060005	WASHER M8 UNI 6592		pz	2
36	00496005	SCREW M4x1.25x18		pz	2
37	06381005	BOLT ADJUSTING		pz	1
37	07111005	BOLT ADJUSTING		pz	1
38	07112005	BOLT CABLE ADJUSTING		pz	1

XEF

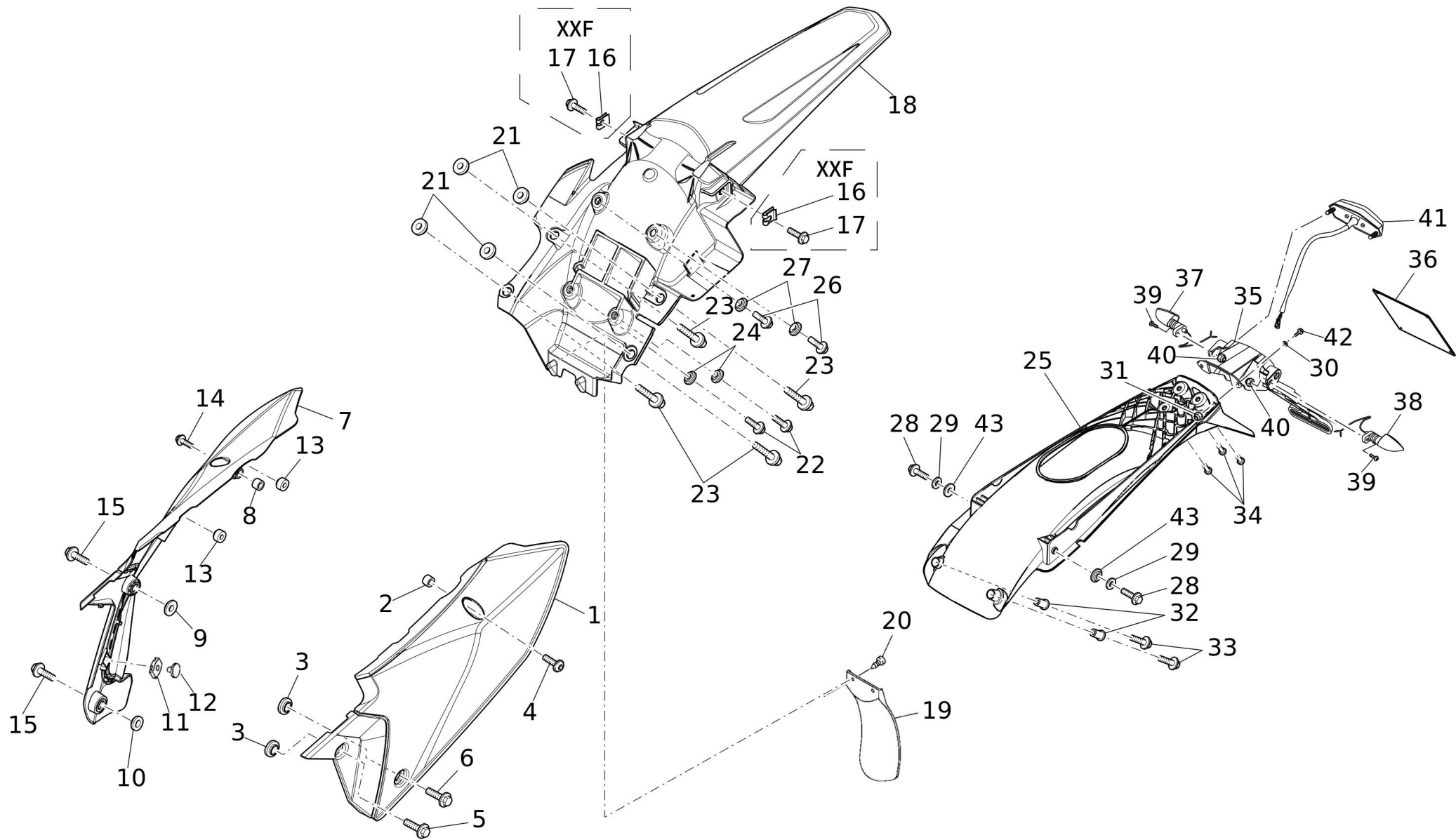
XXF



#	Code	Description	Specification	UM	Qty
1	07500005	FRONT FENDER OFF-ROAD WHITE	white	pz	1
1	07504005	MUDGUARD	black	pz	1
2	08641005	COLLAR		pz	4
3	06958005	BOLT WITH WASHER		pz	4
4	07662005	FORK SLIDER PROTECTORS (PAIR)	white	pz	1
4	V0222005	KIT PARASTELI XX/XE NERI	black	pz	1
5	06162005	CLAMP		pz	1
6	06163005	CLAMP		pz	1
7	05758005	BOLT FLANGE		pz	2
8	07503005	FRONT PLATE NUMBER OFF-ROAD		pz	1
9	06564005	BOLT		pz	1
10	04686005	WASHER		pz	1
11	00898005	SWINGARM USD BEEPER		pz	1
12	07478005	SCREW		pz	2
13	07479005	SCREW		pz	1
14	08401005	FAIRLEAD		pz	1
15	07364005	KIT FORK GUARD XEF	white	pz	1
15	V0906005	KIT PARASTELI XEF NERI	black	pz	1
16	02163005	HANDGUARD (WHITE) WITHOUT STICKER		pz	1
17	06161005	BOLT		pz	6
18	07374005	CLAMP		pz	1
19	07019005	BOLT HEXAGON SOCKET HEAD		pz	2
20	00807005	WASHER 6X12		pz	1
21	07501005	HEADLIGHT FAIRING XE/XEF		pz	1
22	05466005	LED HEADLIGHT XE/XEF		pz	1
23	07467005	SPRING		pz	1
24	00049005	SCREW-SOCKET CONVEX HEAD 6X40		pz	1
25	07694005	BUSHING		pz	2
26	01374005	DIRECTION IND. ARROW FRONT RH / REAR LH		pz	1
27	01375005	DIRECTION IND. ARROW FRONT LH / REAR RH		pz	1
28	00042005	SCREW-FLANGED 5X16		pz	2
29	00267005	DADO M5 AUTOBLOCC. BASSO		pz	3
30	00340005	WASHER-SPACE		pz	1
31	08124005	HOLDER		pz	1
32	00340005	WASHER-SPACE		pz	2
33	02540005	SCREW-SOCKET CONVEX HEAD 6X16		pz	2
34	07371005	GROMMET		pz	2
35	08717005	GOMMINO MASCHERINA XXF		pz	2

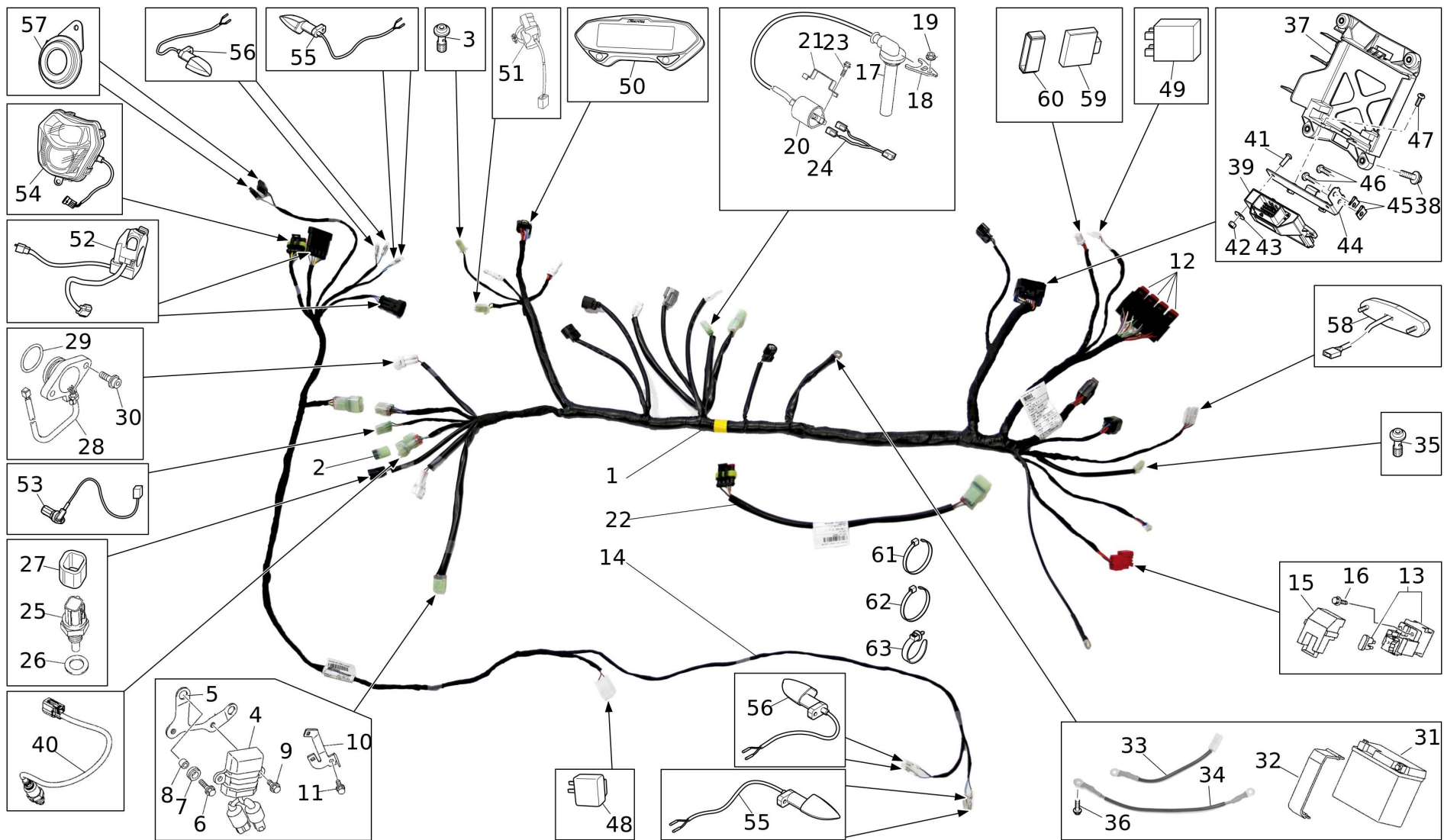


#	Code	Description	Specification	UM	Qty
1	08251005	PARAMOTORE	XXF	pz	1
2	05758005	BOLT FLANGE	XXF	pz	1
3	08252005	BOCCOLA	XXF	pz	1
4	06971005	BOCCOLA		pz	2
5	06559005	COLLAR		pz	2
6	06972005	COLLAR		pz	2
7	06781005	COLLAR		pz	4
8	06973005	GOMMINO		pz	2
9	06974005	SEAL		pz	2
10	06975005	SEAL		pz	2
11	06564005	BOLT		pz	4
12	06977005	BOLT WITH WASHER		pz	6
13	07375005	GUARD ENGINE 1	XEF	pz	1
14	06945005	BOLT WITH WASHER	XEF	pz	3
15	07370005	COVER		pz	1
16	08143005	SADDLE	white	pz	1
16	V0914005	SELLA XEF-XXF NERA	black	pz	1
17	08511020	COVER TAPPO BENZINA CPL XEF		pz	1
18	07046005	GOMMINO		pz	2
19	07047005	BAND SEAT		pz	2
20	07561005	RIPARO RADIATORE1 NERO		pz	1
21	07562005	RIPARO RADIATORE2 NERO		pz	1
22	07505005	SIDE FAIRING	white	pz	1
22	V0220005	CONVOGLIATORE SX XEF/XXF NERO	black	pz	1
23	07506005	SIDE FAIRING	white	pz	1
23	V0221005	CONVOGLIATORE DX XEF/XXF NERO	black	pz	1
24	06951005	RIVET		pz	1
25	08489005	COVER	white	pz	1
25	V1380005	COPERTINA SELLA NERA XEF/XXF	black	pz	1



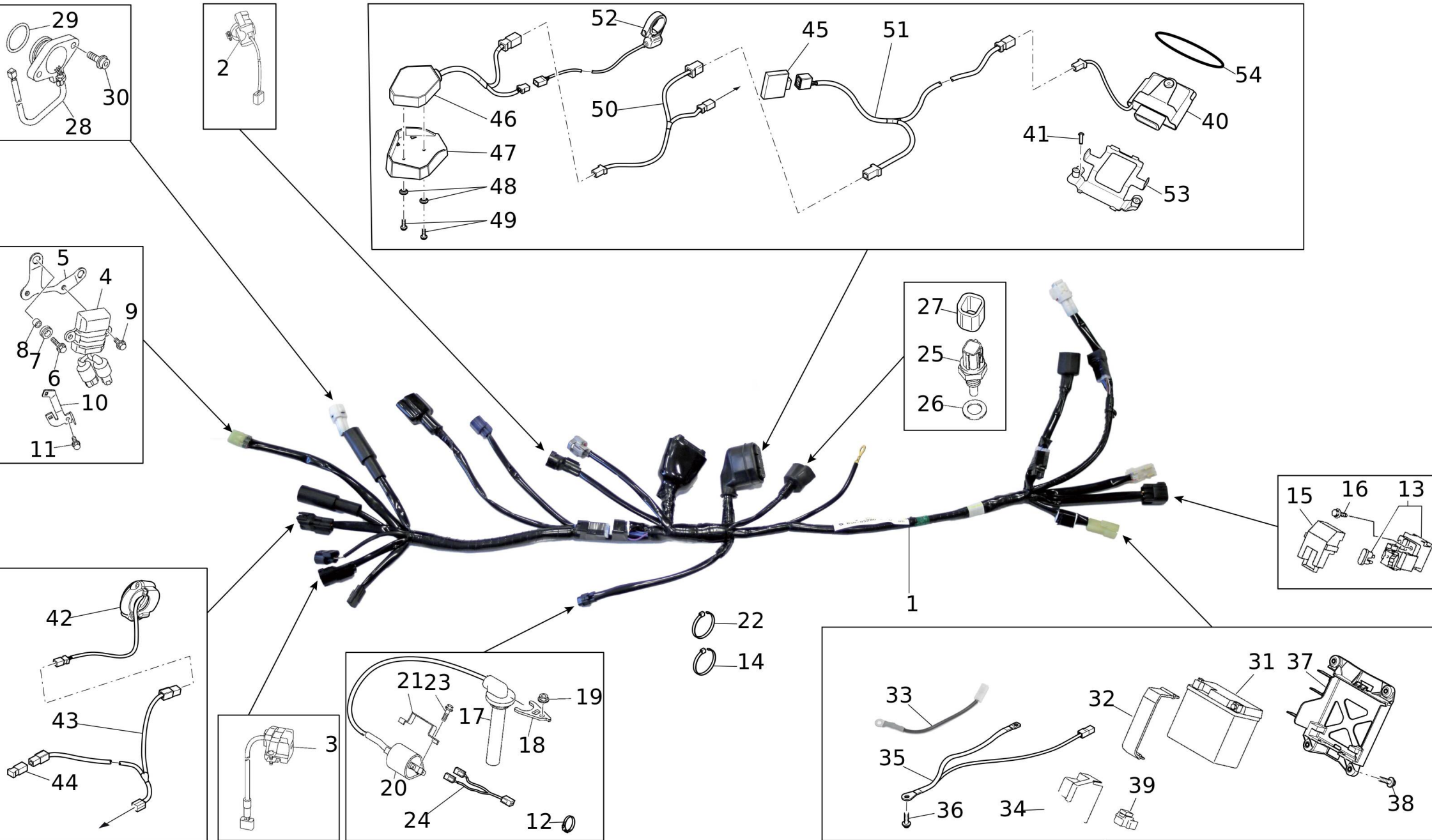
#	Code	Description	Specification	UM	Qty
1	07507005	SIDE FAIRING	white	pz	1
1	V0941005	FIANCHETTO POST SX XEF/XXF NERO/GRIGIO	black	pz	1
2	06964005	BOCCOLA		pz	1
3	06563005	COLLAR		pz	2
4	06932005	BOLT FLANGE		pz	1
5	06966005	BOLT WITH WASHER		pz	1
6	06967005	BOLT WITH WASHER		pz	1
7	07508005	SIDE FAIRING	white	pz	1
7	V0940005	FIANCHETTO POST DX XEF/XXF NERO/GRIGIO	black	pz	1
8	06964005	BOCCOLA		pz	1
9	06559005	COLLAR		pz	1
10	06563005	COLLAR		pz	1
11	06968005	GOMMINO		pz	1
12	06969005	DAMPER		pz	1
13	06970005	GOMMINO		pz	2
14	06932005	BOLT FLANGE		pz	1
15	06967005	BOLT WITH WASHER		pz	2
16	06568005	NUT REAR FENDER	XXF	pz	2
17	06961005	BOLT FLANGE	XXF	pz	2
18	07509005	MUDGUARD	XEF	pz	1
18	08117005	PARAFANGO POSTERIORE XXF	XXF	pz	1
19	06962005	GUARD FLAP		pz	1
20	06600005	SCREW TAPPING		pz	2
21	06559005	COLLAR		pz	4
22	07942005	BOLT WITH WASHER		pz	2
23	06958005	BOLT WITH WASHER		pz	4
24	07476005	BUSHING		pz	2
25	07368005	LICENSE PLATE	XEF	pz	1
26	07942005	BOLT WITH WASHER	XXF	pz	2
27	07476005	BUSHING	XXF	pz	2
28	08403005	SCREW	XEF	pz	2
29	00058005	RONDELLA 6X18 UNI 6593	XEF	pz	2
30	00056005	WASHER 5X10	XEF	pz	3
31	00267005	DADO M5 AUTOBLOCC. BASSO	XEF	pz	3
32	08149005	SPACER	XEF	pz	2
33	07493005	SCREW	XEF	pz	2
34	07458005	SCREW	XEF	pz	3
35	07388005	LICENSE PLATE HOMOLOGATED HOLDER XE/XEF	XEF	pz	1
36	07474005	PLATE	XEF	pz	1
37	01375005	DIRECTION IND. ARROW FRONT LH / REAR RH		pz	1

#	Code	Description	Specification	UM	Qty
38	01374005	DIRECTION IND. ARROW FRONT RH / REAR LH		pz	1
39	00042005	SCREW-FLANGED 5X16	XEF	pz	2
40	00267005	DADO M5 AUTOBLOCC. BASSO	XEF	pz	2
41	05113005	TAILLIGHT WITH LED LICENSE PLATE LIGHT	XEF	pz	1
42	00042005	SCREW-FLANGED 5X16	XEF	pz	3
43	08150005	SPACER	XEF	pz	2



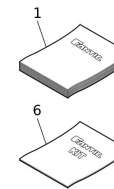
#	Code	Description	Specification	UM	Qty
1	07591005	CABLAGGIO PRINCIPALE XEF MY22	XEF	pz	1
2	07492005	CAP	XEF	pz	1
3	03259005	STOP SWITCH	XEF	pz	1
4	07128005	RECTIFIER & REGULATOR ASSY	XEF	pz	1
5	07129005	BRACKET REGULATOR	XEF	pz	1
6	07130005	BOLT FLANGE	XEF	pz	2
7	07131005	GOMMINO	XEF	pz	2
8	07132005	BOCCOLA	XEF	pz	2
9	06564005	BOLT	XEF	pz	2
10	07134005	STAFFA	XEF	pz	1
11	06289005	BOLT	XEF	pz	1
12	05457005	RELAY	XEF	pz	4
13	07376020	STARTER RELAY ASSY (RC19-102B)	XEF	pz	1
14	08147005	CABLE	XEF	pz	1
15	07378005	COVER LEAD WIRE	XEF	pz	1
16	08516005	BOLT FLANGE	XEF	pz	2
17	07116005	PIPETTA CANDELA	XXF XEF	pz	1
18	07117005	HOLDER	XEF	pz	1
19	06625005	NUT FLANGE	XEF	pz	1
20	07124005	IGNITION COIL ASSY	XXF XEF	pz	1
21	07125005	CORE SIDE	XEF	pz	1
22	07486005	ADAPTER	XEF	pz	1
23	06749005	BOLT FLANGE DEEP RECESS	XEF	pz	2
24	08504005	CABLE	XEF	pz	1
25	07119005	THERMO UNIT	XEF	pz	1
26	07120005	SEAL	XEF	pz	1
27	08513005	HOLDER LEVER UNDER	XEF	pz	1
28	07121005	SENSORE FOLLE	XEF	pz	1
29	07122005	O-RING	XEF	pz	1
30	07123005	VITE 5X14 TCEI4 FLANGIA 10.7	XEF	pz	2
31	00798005	MAINTENANCE-FREE 3 AH BATTERY	XEF	pz	1
32	08405005	BATTERY BAND XEF-XXF	XEF	pz	1
33	08502005	CABLE	XEF	pz	1
34	08503005	CABLE	XEF	pz	1
35	02112005	STOP SWITHC (BRAKING)	XEF	pz	1
36	06617005	BOLT FLANGE DEEP RECESS	XEF	pz	1
37	07421005	BOX	XEF	pz	1
38	07942005	BOLT WITH WASHER	XEF	pz	2

#	Code	Description	Specification	UM	Qty
39	04908005	ECU 250-450 EURO4	XEF	pz	1
40	05213005	LAMBDA SENSOR E4 FC250-450/TL250	XEF	pz	1
41	00042005	SCREW-FLANGED 5X16	XEF	pz	2
42	00267005	DADO M5 AUTOBLOCC. BASSO	XEF	pz	2
43	00057005	WASHER 5X16	XEF	pz	2
44	07419005	SUPPORT	XEF	pz	1
45	01891005	CLIP 12X15	XEF	pz	2
46	00334005	SCREW-FLANGED 5X12	XEF	pz	2
47	07479005	SCREW	XEF	pz	2
48	01199005	FLASHER RELAY (TURN SIGNAL RELAY) 10W	XEF	pz	1
49	07477005	XEF RESERVE INTERFACE BOARD	XEF	pz	1
50	07731005	ODOMETER	XEF	pz	1
51	07424005	LIGHT SWITCH COMMAND	XEF	pz	1
52	07729005	MY21 CAB LIGHTS DEVICE	XEF	pz	1
53	08535005	SENSORE VELOCITA' XEF450	XEF	pz	1
54	05466005	LED HEADLIGHT XE/XEF	XEF	pz	1
55	01374005	DIRECTION IND. ARROW FRONT RH / REAR LH		pz	1
56	01375005	DIRECTION IND. ARROW FRONT LH / REAR RH		pz	1
57	00898005	SWINGARM USD BEEPER	XEF	pz	1
58	05113005	TAILLIGHT WITH LED LICENSE PLATE LIGHT	XEF	pz	1
59	07418005	WI-FI COM	XXF XEF	pz	1
60	07423005	RING	XEF	pz	1
61	06389005	CLAMP	XEF	pz	2
62	07138005	CLAMP	XEF	pz	2
63	07137005	FASCETTA	XEF	pz	1

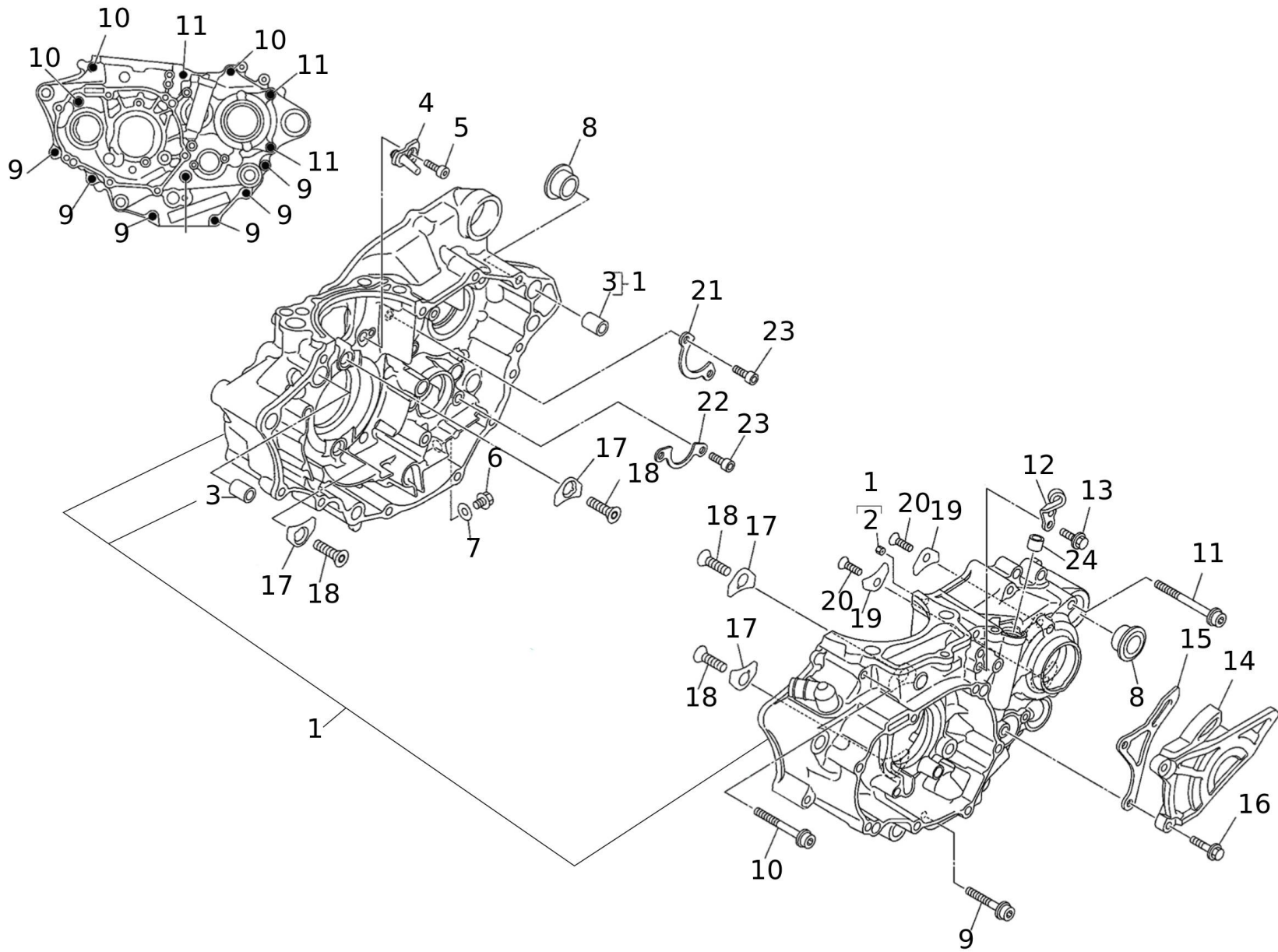


#	Code	Description	Specification	UM	Qty
1	07587005	CABLAGGIO XXF250 MY22	XXF	pz	1
2	08464005	SWITCH,HANDLE 1	XXF	pz	1
3	08466005	SWITCH,HANDLE 1	XXF	pz	1
4	07128005	RECTIFIER & REGULATOR ASSY		pz	1
5	07129005	BRACKET REGULATOR		pz	1
6	07130005	BOLT FLANGE		pz	2
7	07131005	GOMMINO		pz	2
8	07132005	BOCCOLA		pz	2
9	06564005	BOLT		pz	2
10	07134005	STAFFA		pz	1
11	06289005	BOLT		pz	1
12	07140005	BAND	XXF	pz	1
13	07376020	STARTER RELAY ASSY (RC19-102B)		pz	1
14	06389005	CLAMP		pz	2
15	07378005	COVER LEAD WIRE		pz	1
16	08516005	BOLT FLANGE		pz	2
17	07116005	PIPETTA CANDELA	XXF	pz	1
18	07117005	HOLDER		pz	1
19	06625005	NUT FLANGE		pz	1
20	07124005	IGNITION COIL ASSY	XXF	pz	1
21	07125005	CORE SIDE		pz	1
22	06388005	FASCETTA		pz	2
23	06749005	BOLT FLANGE DEEP RECESS		pz	2
24	08477005	WIRE,SUB LEAD	XXF	pz	1
25	07119005	THERMO UNIT		pz	1
26	07120005	SEAL		pz	1
27	08513005	HOLDER LEVER UNDER		pz	1
28	07121005	SENSORE FOLLE		pz	1
29	07122005	O-RING		pz	1
30	07123005	VITE 5X14 TCEI4 FLANGIA 10.7		pz	2
31	08568005	BATTERIA AL LITIO 12V		pz	1
32	08405005	BATTERY BAND XEF-XXF		pz	1
33	08502005	CABLE		pz	1
34	07557005	COVER 1	XXF	pz	1
35	08574005	CAVO NEGATIVO BATERIA XXF	XXF	pz	1
36	06617005	BOLT FLANGE DEEP RECESS		pz	1
37	07421005	BOX		pz	1
38	07942005	BOLT WITH WASHER		pz	4
39	08482005	RELAY ASSY(1ST-00)	XXF	pz	1
40	V0155020	ECU XXF250 MY22		pz	1

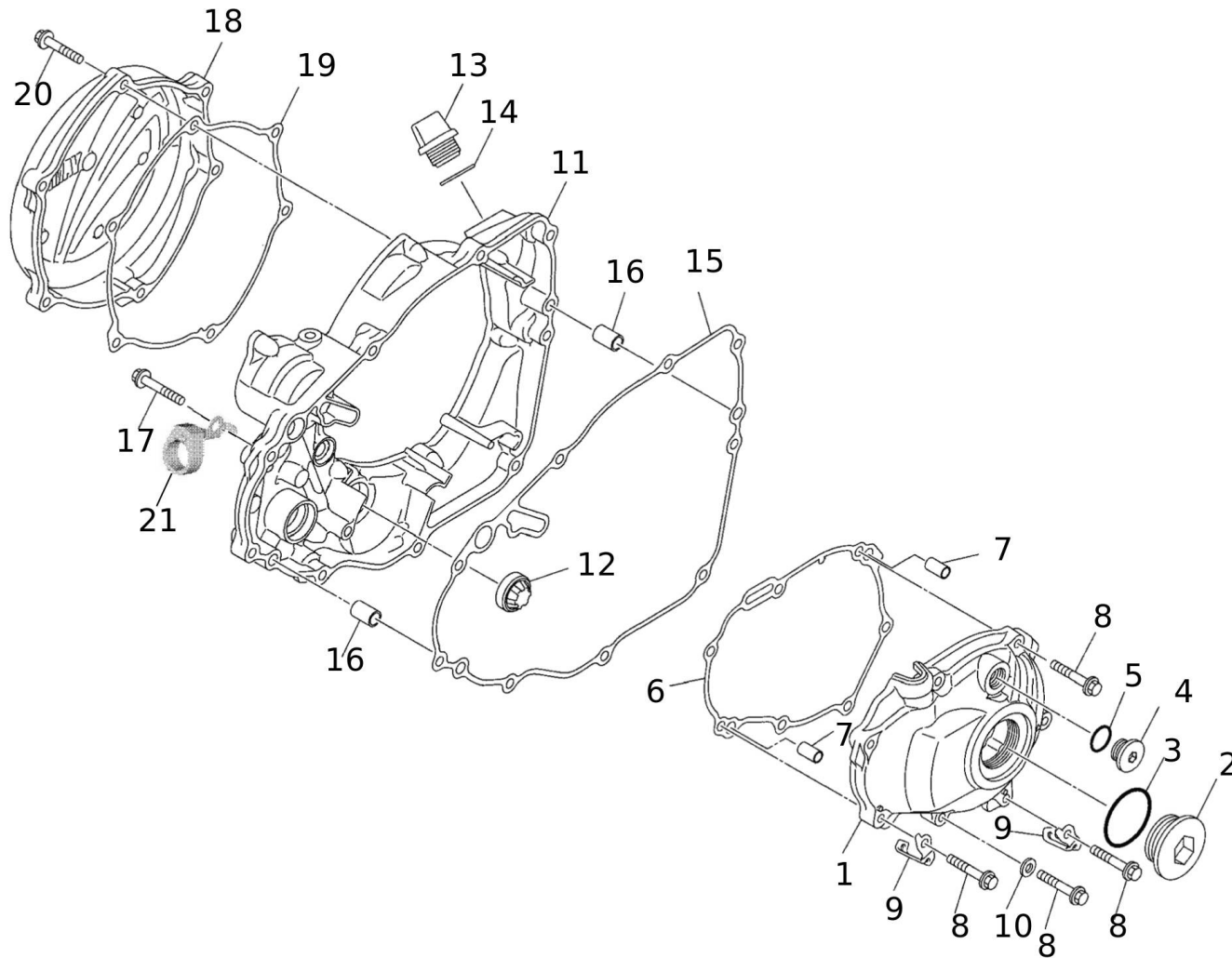
#	Code	Description	Specification	UM	Qty
41	08296005	BOLT WITH WASHER	XXF	pz	2
42	08577005	PULSANTE DOPPIA MAPPATURA OFF-ROAD		pz	1
43	08578005	BRIGLIA MAP SWITCH-2° INJ	XXF	pz	1
44	07549005	CONNETTORE	XXF	pz	1
45	07418005	WI-FI COM	XXF	pz	1
46	08580005	LAUNCH CONTROL GPA XXF		pz	1
47	08581005	SUPPORTO LC-GPA		pz	1
48	08609005	BOCCOLA A T D10-D5.5-H4.8		pz	2
49	00042005	SCREW-FLANGED 5X16		pz	2
50	08575005	INTERFACCIA LAUNCH CONTROL-GPA XXF	XXF	pz	1
51	08404005	BRIGLIA WIFI-COM XXF	XXF	pz	1
52	08582005	TASTO MODE XXF		pz	1
53	07570005	STAFFA CENTRALINA RX1-PRO	XXF	pz	1
54	07571005	ELASTICO CENTRALINA RX1-PRO	XXF	pz	1



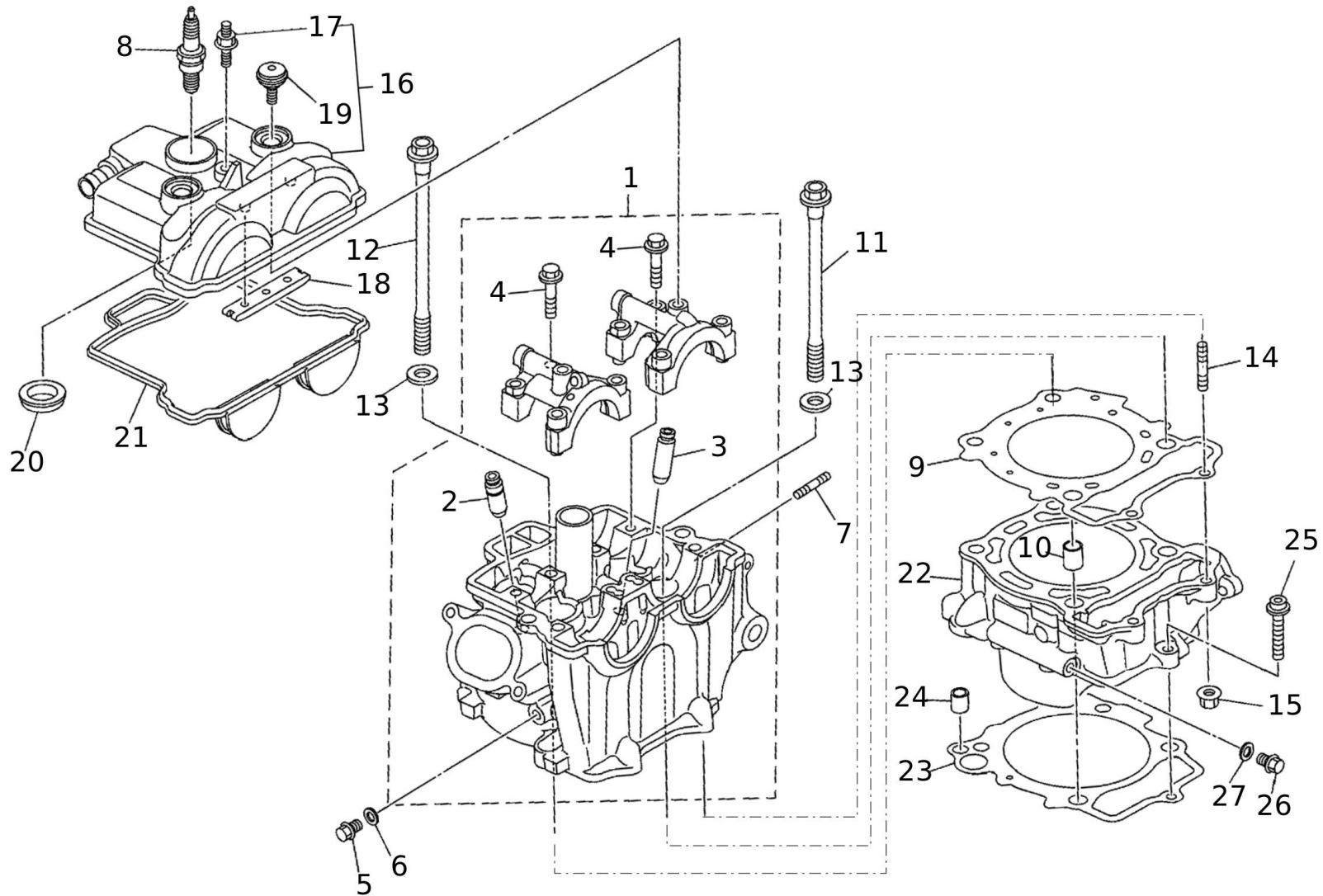
#	Code	Description	Specification	UM	Qty
1	08695005	MANUALE D'USO GAMMA OFF-ROAD 4T		pz	1
2	09712005	KIT ADESIVI XEF MY23	XEF MY23	pz	1
2	09713005	KIT ADESIVI XXF250 MY23	XXF MY23	pz	1
2	V0228005	KIT ADESIVI XEF MY24	XEF White my24	pz	1
2	V0229005	KIT ADESIVI XXF250 MY24	XXF White my24	pz	1
2	V0909005	KIT ADESIVI XEF 24 GIALLO FLUO	XEF MY24	pz	1
2	V0976005	KIT ADESIVI XXF250 MY24 GIALLO FLUO	XXF MY24	pz	1
3	04311005	CATADIOTTRO CURVO PERFORMANCE AMBRA	XEF	pz	2
4	03990005	CATADIOTTRO RETTANGOLARE ROSSO	XEF	pz	1
5	08160005	ADHESIVE		pz	1
6	08720005	ISTRUZIONE KIT RACING XEF MY22		pz	1
7	07525005	ADESIVO CARTER MOTORE BARDAHL		pz	1



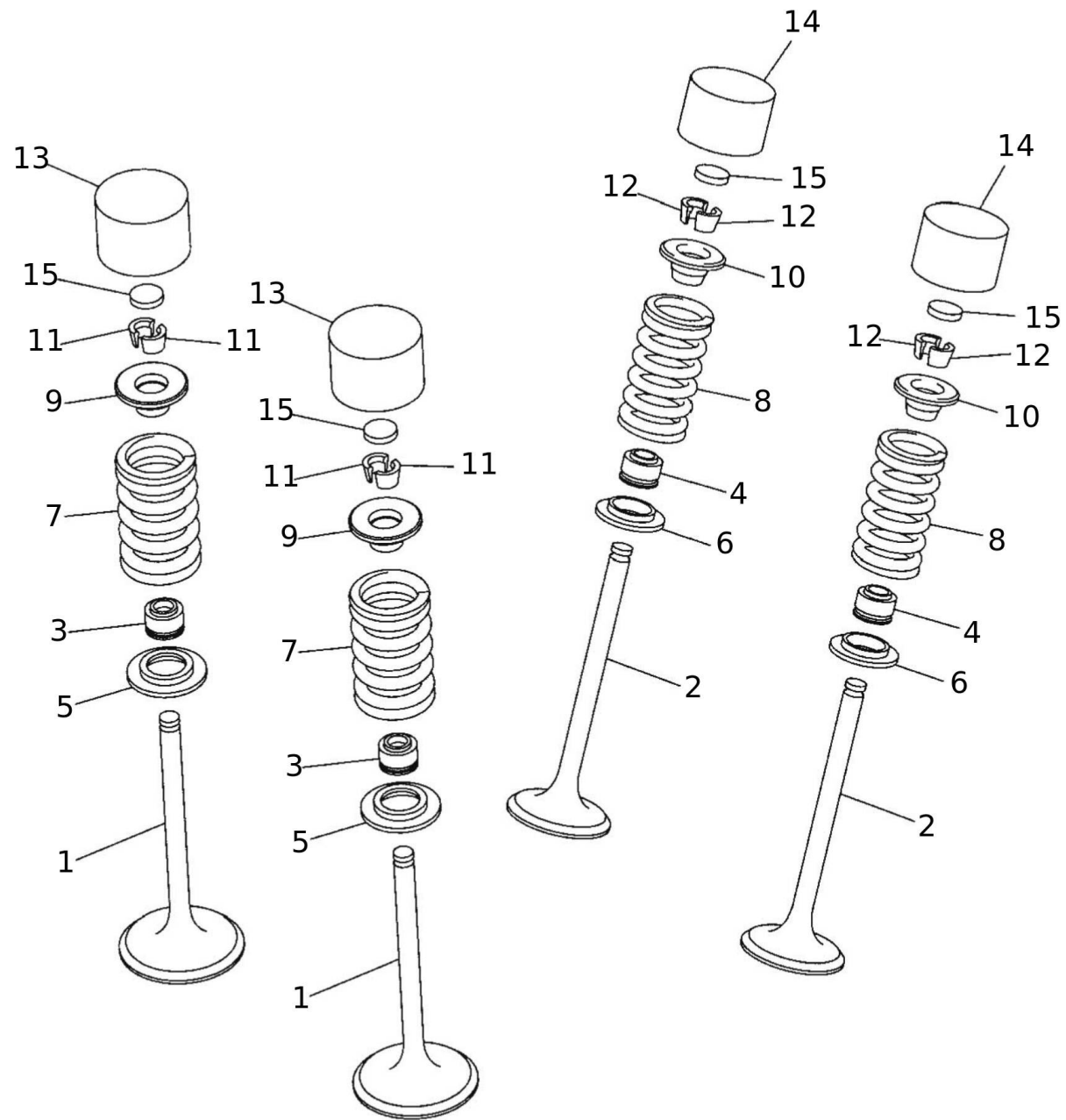
#	Code	Description	Specification	UM	Qty
1	06817020	CRANKCASE ASSY	XEF	pz	1
1	08224005	CRANKCASE ASSY	XXF	pz	1
2	06818005	NOZZLE 1		pz	1
3	06819005	PIN DOWEL		pz	2
4	06820005	NOZZLE 3		pz	1
5	06821005	BOLT HEXAGON SOCKET HEAD		pz	1
6	06822005	BOLT FLANGE DEEP RECESS		pz	1
7	05856005	SEAL		pz	1
8	06823005	BOCCOLA		pz	2
9	06824005	BOLT HEXAGON SOCKET HEAD		pz	7
10	06825005	BOLT HEXAGON SOCKET HEAD		pz	3
11	06826005	BOLT HEXAGON SOCKET HEAD		pz	3
12	06827005	HOLDER, CLUTCH CABLE		pz	1
13	06569005	BOLT FLANGE		pz	2
14	06829005	COVER CRANKCASE 2		pz	1
15	06830005	GUIDE CHAIN		pz	1
16	06831005	BOLT FLANGE		pz	2
17	06832005	PLATE BEARING COVER		pz	4
18	06833005	SCREW COUNTERSUNK		pz	4
19	05932005	PLATE BEARING COVER		pz	2
20	06834005	SCREW COUNTERSUNK		pz	2
21	06835005	PLATE BEARING COVER		pz	1
22	06836005	PLATE STOPPER 2		pz	1
23	06837005	BOLT HEXAGON SOCKET HEAD		pz	4
24	06838005	BEARING		pz	1



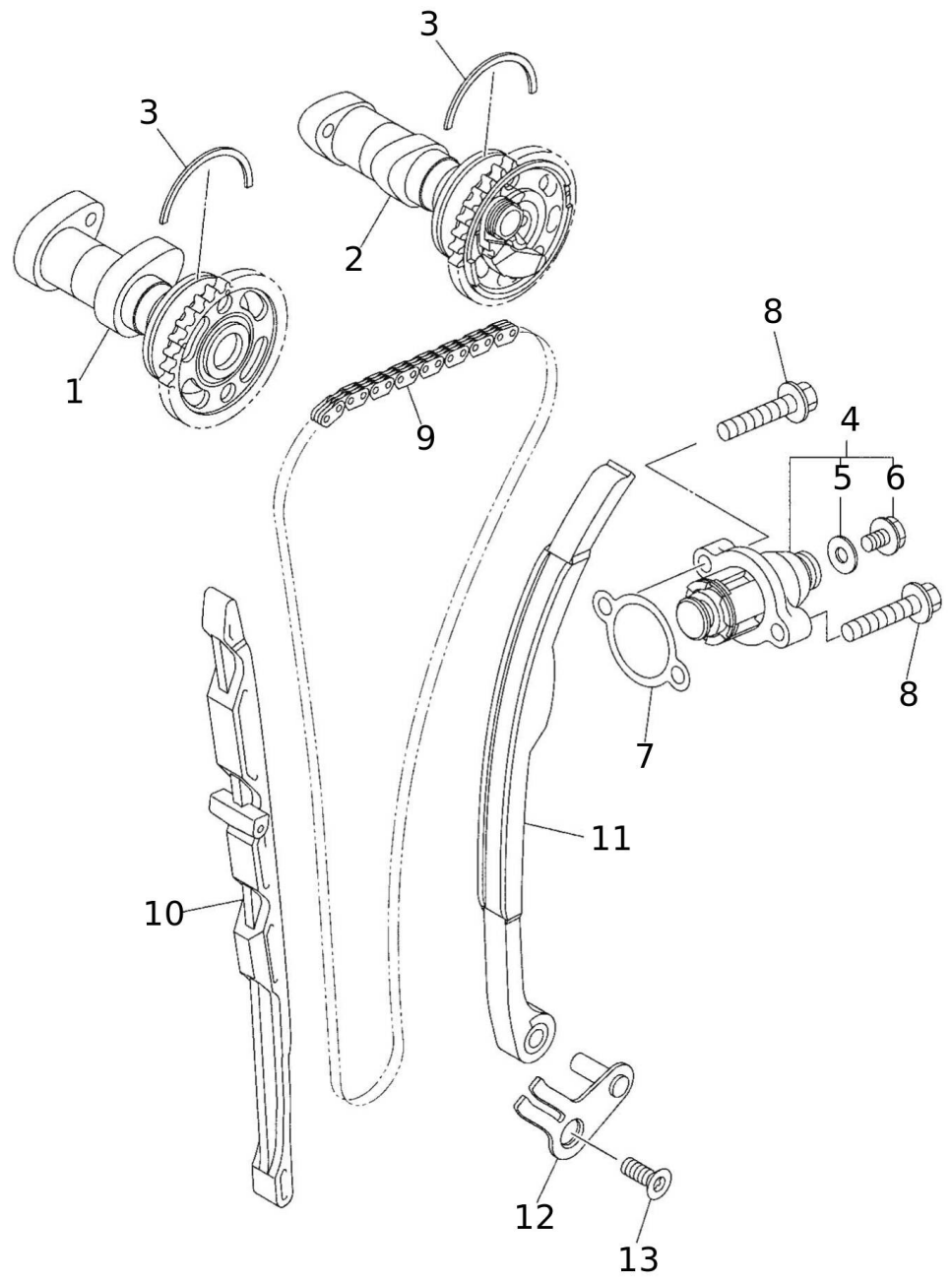
#	Code	Description	Specification	UM	Qty
1	06839005	COVER, CRANKCASE 1		pz	1
2	07054005	PLUG STRAIGHT SCREW		pz	1
3	06840005	O-RING		pz	1
4	07055005	PLUG STRAIGHT SCREW		pz	1
5	06841005	O-RING		pz	1
6	06842005	GASKET CRANKCASE COVER 1		pz	1
7	05875005	PIN DOWEL		pz	2
8	06708005	BOLT FLANGE DEEP RECESS		pz	7
9	06843005	CLAMP		pz	2
10	05705005	GASKET		pz	2
11	06844005	COVER CRANKCASE		pz	1
12	06845005	GAUGE LEVEL		pz	1
13	03957005	CAP		pz	1
14	05877005	O-RING		pz	1
15	06848005	GASKET, CRANKCASE COVER 3	XXF	pz	1
15	09370001	GASKET, CRANKCASE COVER 3	XEF	pz	1
16	05875005	PIN DOWEL		pz	2
17	06708005	BOLT FLANGE DEEP RECESS		pz	9
18	08155005	COVER 1		pz	1
19	06849005	GASKET CRANKCASE COVER		pz	1
20	06708005	BOLT FLANGE DEEP RECESS		pz	6
21	08228005	HOLDER	XXF	pz	1



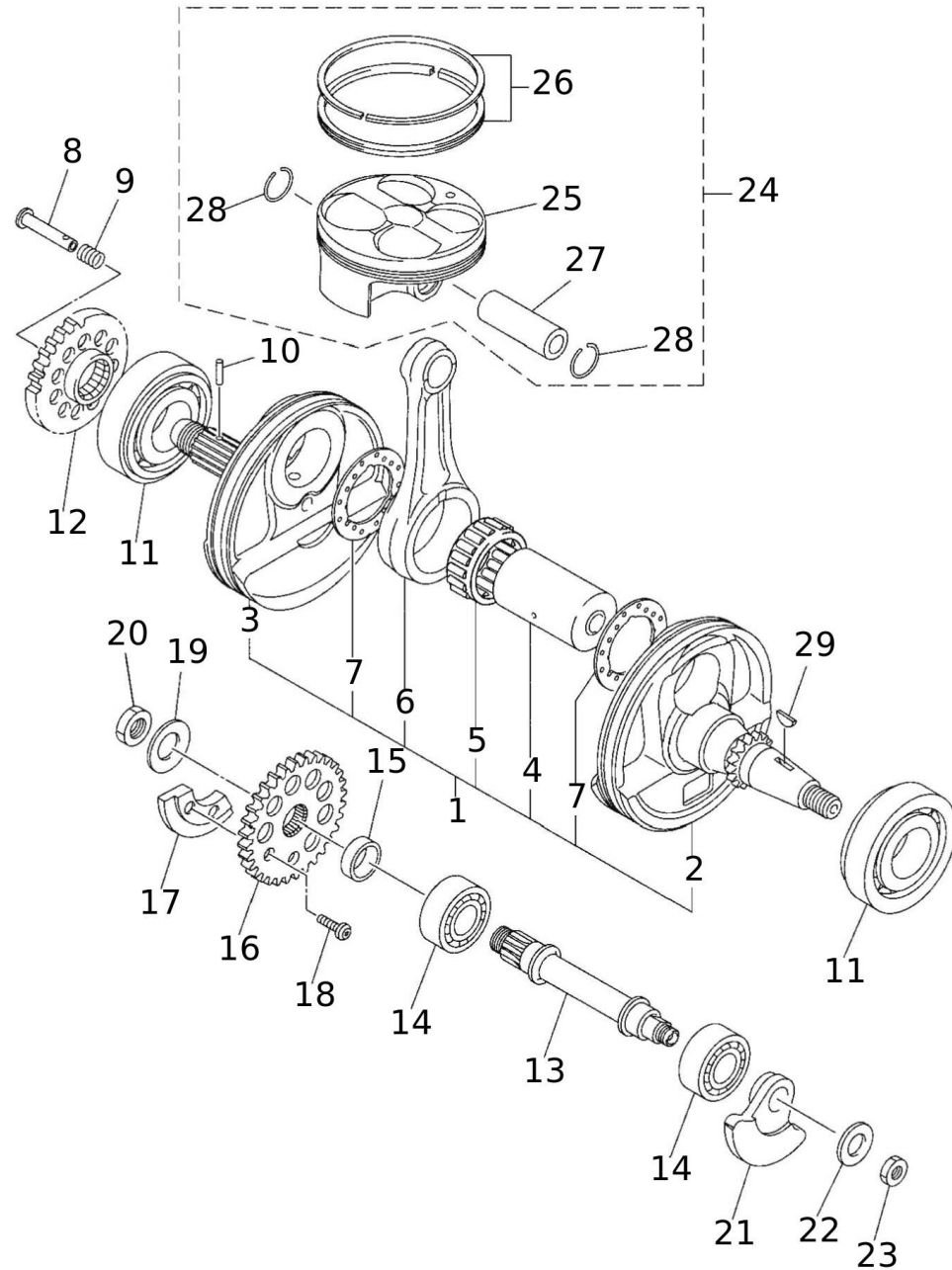
#	Code	Description	Specification	UM	Qty
1	09371001	TESTATA DEL CILINDRO		pz	1
2	09372001	GUIDA VALVOLA 2		pz	2
3	06615005	GUIDA VALVOLA 1		pz	2
4	06616005	BOLT WITH WASHER		pz	8
5	06617005	BOLT FLANGE DEEP RECESS		pz	1
6	05705005	GASKET		pz	1
7	06618005	BOLT STUD		pz	2
8	06619005	PLUG SPARK (NGK LMAR8E-J)	XEF	pz	1
8	08207005	PLUG, SPARK (NGKLMAR9E-J)	XXF	pz	1
9	06620005	GASKET CYLINDER HEAD 1	250cc	pz	1
9	V1096005	GASKET CYLINDER HEAD	310cc	pz	1
10	03963005	PIN		pz	2
11	03961005	SCREW		pz	3
12	03962005	SCREW		pz	1
13	06624005	WASHER PLATE		pz	4
14	06618005	BOLT STUD		pz	2
15	06625005	NUT FLANGE		pz	2
16	08156005	COVER CYLINDER HEAD 1		pz	1
17	06626005	BOLT STUD		pz	1
18	06627005	GUIDA TAMPONE 2		pz	1
19	03960005	SCREW		pz	2
20	06629005	GASKET HEAD COVER 2		pz	1
21	06630005	GASKET HEAD COVER 1		pz	1
22	06631005	CYLINDER 1	250cc	pz	1
22	V1102005	CILINDRO 4T D85	310cc	pz	1
23	06632005	GASKET CYLINDER	250cc	pz	1
23	V1097005	GASKET CYLINDER	310cc	pz	1
24	05854005	PIN DOWEL		pz	2
25	06633005	BOLT HEXAGON SOCKET HEAD		pz	1
26	06617005	BOLT FLANGE DEEP RECESS		pz	1
27	05705005	GASKET		pz	1



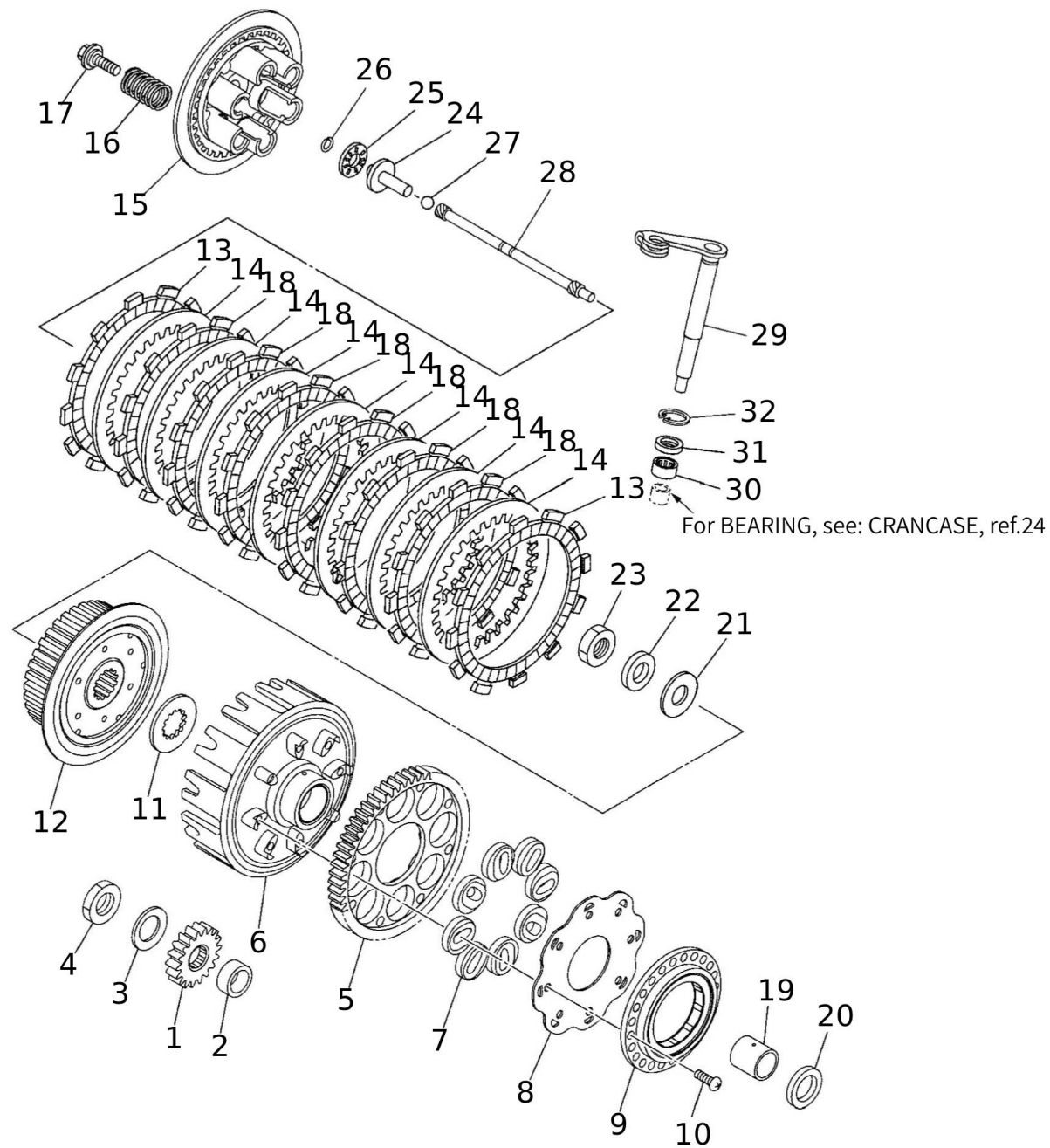
#	Code	Description	Specification	UM	Qty
1	06662005	VALVOLA ASPIRAZIONE		pz	2
2	06663005	VALVE EXHAUST		pz	2
3	06664005	SEAL VALVE STEM		pz	2
4	06665005	SEAL VALVE STEM		pz	2
5	06666005	SEAT VALVE SPRING		pz	2
6	06667005	SEAT VALVE SPRING 2		pz	2
7	06668005	SPRING VALVE INNER		pz	2
8	06669005	SPRING VALVE OUTER		pz	2
9	06670005	RETAINER VALVE SPRING		pz	2
10	06671005	RETAINER VALVE SPRING		pz	2
11	06672005	LOCK VALVE SPRING RETAINER		pz	4
12	06673005	LOCK VALVE SPRING RETAINER		pz	4
13	06674005	LIFTER VALVE		pz	2
14	06675005	LIFTER, VALVE		pz	2
15	06676005	PAD ADJUSTING (1.20)	Accessory	pz	4
15	06677005	PAD ADJUSTING (1.25)	Accessory	pz	4
15	06678005	PAD ADJUSTING (1.30)	Accessory	pz	4
15	06679005	PAD ADJUSTING (1.35)	Accessory	pz	4
15	06680005	PAD ADJUSTING (1.40)	Accessory	pz	4
15	06681005	PAD ADJUSTING (1.45)	Accessory	pz	4
15	06682005	PAD ADJUSTING (1.50)	Accessory	pz	4
15	06683005	PAD ADJUSTING (1.55)	Accessory	pz	4
15	06684005	PAD ADJUSTING (1.60)	Accessory	pz	4
15	06685005	PAD ADJUSTING (1.65)	Accessory	pz	4
15	06686005	PAD ADJUSTING (1.70)	Accessory	pz	4
15	06687005	PAD ADJUSTING (1.75)	Accessory	pz	4
15	06688005	PAD ADJUSTING (1.80)	Accessory	pz	4
15	06689005	PAD ADJUSTING (1.85)	Accessory	pz	4
15	06690005	PAD ADJUSTING (1.90)	Accessory	pz	4
15	06691005	PAD ADJUSTING (1.95)	Accessory	pz	4
15	06692005	PAD ADJUSTING (2.00)	Accessory	pz	4
15	06693005	PAD ADJUSTING (2.05)	Accessory	pz	4
15	06694005	PAD ADJUSTING (2.10)	Accessory	pz	4
15	06695005	PAD ADJUSTING (2.15)	Accessory	pz	4
15	06696005	PAD ADJUSTING (2.20)	Accessory	pz	4
15	06697005	PAD ADJUSTING (2.25)	Accessory	pz	4
15	06698005	PAD ADJUSTING (2.30)	Accessory	pz	4
15	06699005	PAD ADJUSTING (2.35)	Accessory	pz	4
15	06700005	PAD ADJUSTING (2.40)	Accessory	pz	4



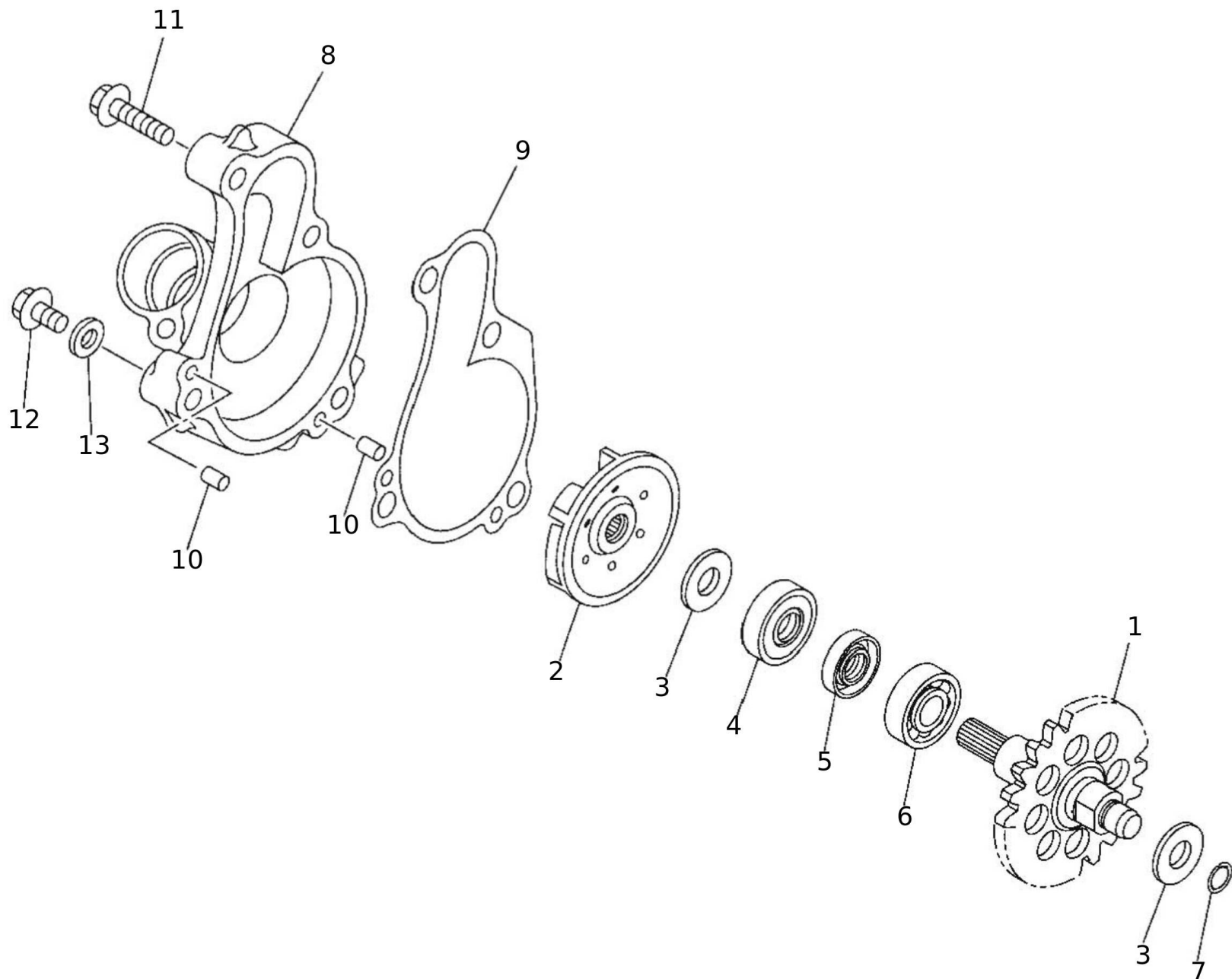
#	Code	Description	Specification	UM	Qty
1	07541005	ALBERO A CAMME 1		pz	1
2	07542005	ALBERO A CAMME 2		pz	1
3	06703005	CIRCLIP		pz	2
4	09373001	TENSIONATORE CATENA DISTRIB		pz	1
5	06705005	SEAL		pz	1
6	06706005	BOLT		pz	1
7	06707005	GASKET TENSIONER CASE		pz	1
8	06708005	BOLT FLANGE DEEP RECESS		pz	2
9	06709005	CATENA DISTRIBUZIONE		pz	1
10	06710005	PATTINO CATENA DISTRIBUZIONE 1		pz	1
11	06711005	DAMPER CHAIN 2		pz	1
12	06712005	FEMO PATTINO GUIDACATENA		pz	1
13	06713005	SCREW COUNTERSUNK		pz	1



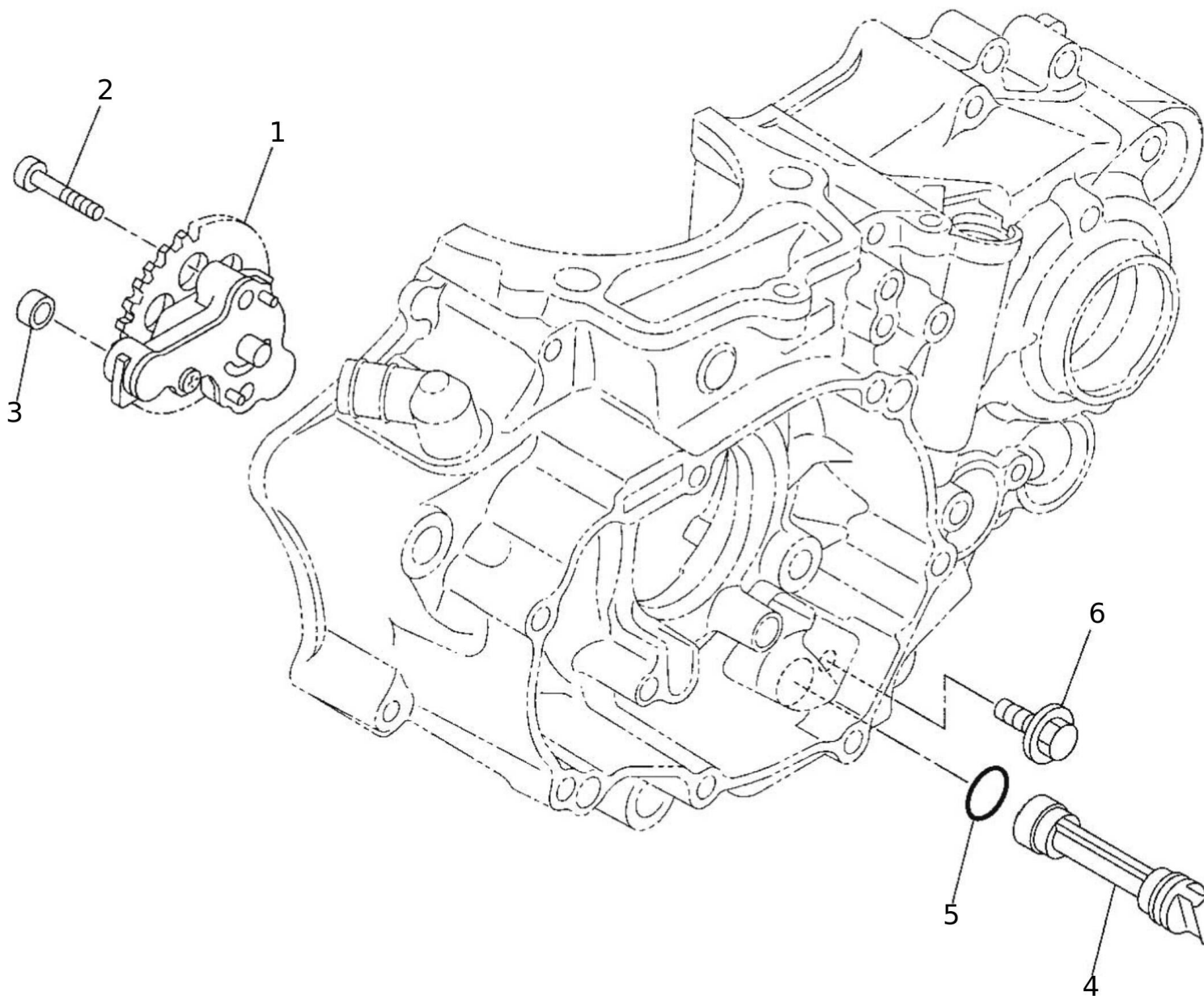
#	Code	Description	Specification	UM	Qty
1	06634020	CRANKSHAFT ASSY		pz	1
2	06635005	MANOVELLA 1		pz	1
3	06636005	MANOVELLA 2		pz	1
4	06637005	PIN CRANK		pz	1
5	06638005	BEARING		pz	1
6	06639005	ROD CONNECTING		pz	1
7	06640005	WASHER		pz	2
8	06641005	PIN CLEVIS		pz	1
9	06642005	SPRING COMPRESSION		pz	1
10	06643005	PIN DOWEL		pz	1
11	06644005	BEARING		pz	2
12	06645005	GEAR, DRIVE	XXF	pz	1
12	09374001	GEAR, DRIVE	XEF	pz	1
13	06646005	CONTRALBERO		pz	1
14	05942005	BEARING		pz	2
15	06647005	BOCCOLA		pz	1
16	06648005	GEAR, BALANCE WEIGHT		pz	1
17	06649005	WEIGHT 1		pz	1
18	06650005	SCREW		pz	2
19	06651005	WASHER CONICAL SPRING		pz	1
20	06652005	NUT		pz	1
21	06653005	WEIGHT 2		pz	1
22	06654005	WASHER CONICAL SPRING		pz	1
23	06655005	NUT		pz	1
24	06656020	PISTON ASSY	XXF 250cc	pz	1
24	09375001	PISTON ASSY	XEF 250cc	pz	1
24	V1092005	PISTONE FORGIATO COMPLETO SEL.A	XEF 310cc	pz	1
24	V1093005	PISTONE FORGIATO COMPLETO SEL.B	XEF 310cc	pz	1
24	V1094005	PISTONE FORGIATO COMPLETO SEL.C	XEF 310cc	pz	1
25	06657005	.PISTON (STD)		pz	1
26	06658005	PISTON RING SET (STD)	250cc	pz	1
26	V1100005	SERIE SEGMENTI D85	310cc	pz	1
27	06659005	SPINOTTO PISTONE	XXF 250cc	pz	1
27	09376001	SPINOTTO PISTONE	XEF 250cc	pz	1
27	V1101005	SPINOTTO PISTONE	XEF 310cc	pz	1
28	06660005	CIRCLIP	250cc	pz	2
28	V1111005	ANELLO ELASTICO PISTONE 2PZ	310cc	pz	1
29	06661005	CHIAVETTA DI WOODRUFF		pz	1



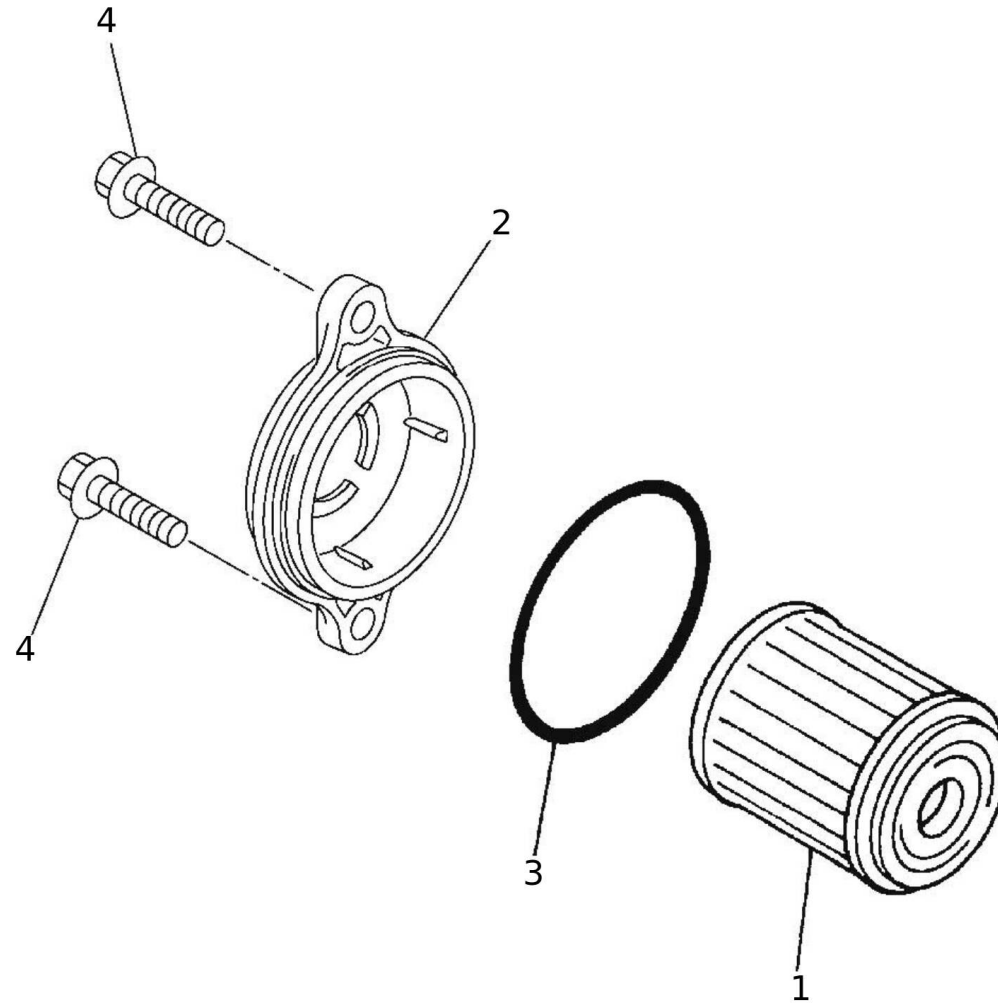
#	Code	Description	Specification	UM	Qty
1	06853005	GEAR PRIMARY DRIVE		pz	1
2	06854005	BOCCOLA		pz	1
3	06855005	WASHER CONICAL SPRING		pz	1
4	06856005	NUT		pz	1
5	06857005	PRIMARY DRIVEN GEAR COMP.		pz	1
6	06858005	PRIMARY DRIVEN GEAR COMP.		pz	1
7	06859005	ABSORBER		pz	8
8	06860005	PLATE SIDE		pz	1
9	06861005	STARTER CLUTCH ASSY	XXF	pz	1
9	09377001	STARTER CLUTCH ASSY	XEF	pz	1
10	06862005	VITE		pz	8
11	06863005	PLATE THRUST 1		pz	1
12	06864005	BOSS CLUTCH		pz	1
13	06865005	PLATE FRICTION 1		pz	2
14	06866005	PLATE CLUTCH 2	XEF	pz	7
14	08230005	PLATE CLUTCH 2	XXF	pz	7
15	06867005	PLATE PRESSURE 1		pz	1
16	08231005	SPRING, COMPRESSION	XXF	pz	6
16	09378001	MOLLA FRIZIONE	XEF	pz	6
17	07056005	BOLT WITH WASHER		pz	1
18	06865005	PLATE FRICTION 1	XXF	pz	6
18	06869005	PLATE FRICTION 1	XEF	pz	6
19	06870005	SPACER 1		pz	1
20	06871005	BOCCOLA		pz	1
21	06872005	WASHER PLATE		pz	1
22	06873005	WASHER CONICAL SPRING		pz	1
23	06874005	NUT		pz	1
24	06875005	ROD PUSH 1		pz	1
25	06876005	BEARING		pz	1
26	06877005	CIRCLIP		pz	1
27	05926005	BALL		pz	1
28	06878005	ROD, PUSH 2		pz	1
29	06879005	PUSH LEVER COMP.		pz	1
30	06880005	BEARING		pz	1
31	05930005	OIL SEAL		pz	1
32	06881005	CIRCLIP		pz	1



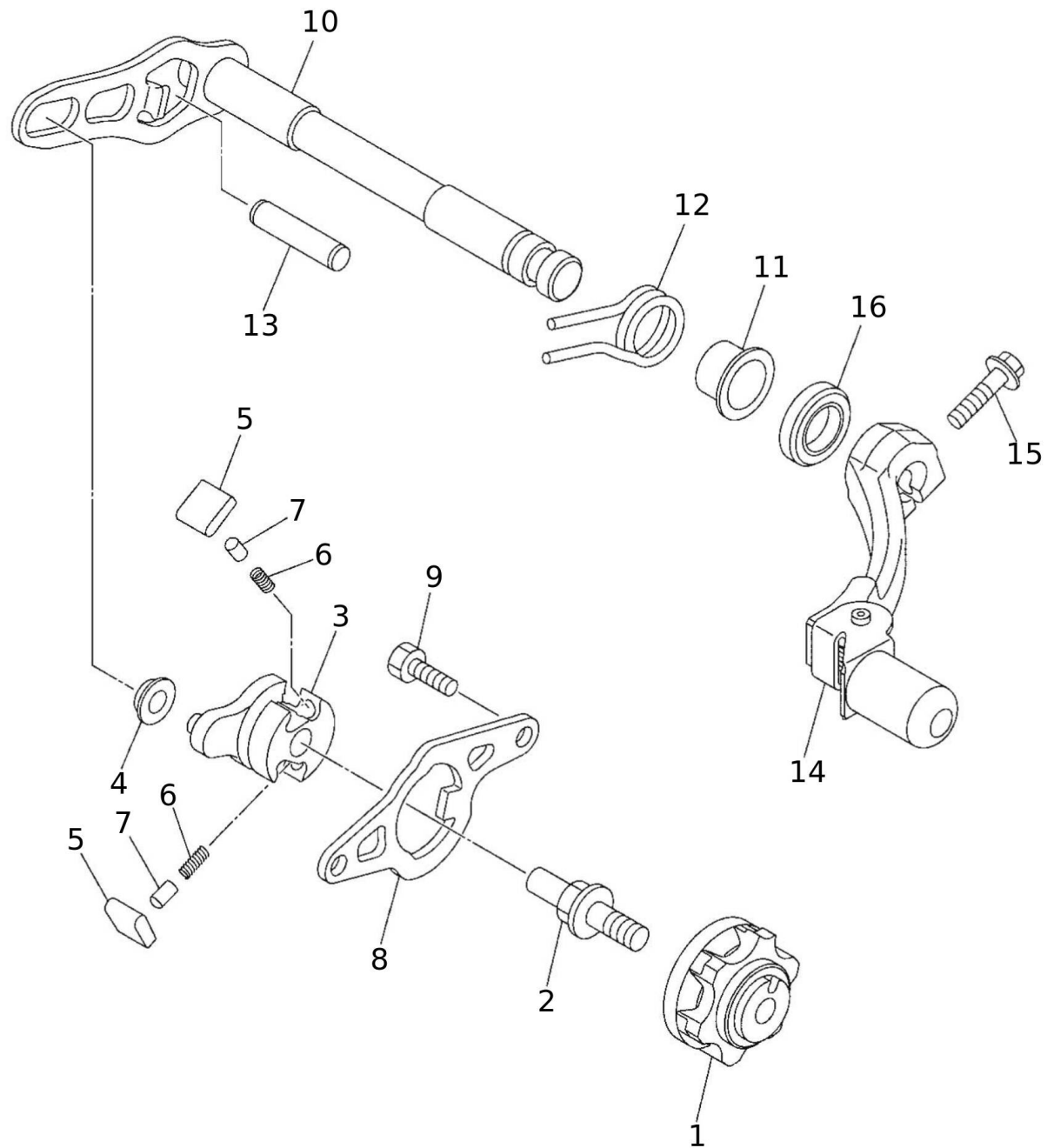
#	Code	Description	Specification	UM	Qty
1	06714005	GEAR IMPELLER SHAFT		pz	1
2	06715005	GIRANTE POMPA ACQUA		pz	1
3	05697005	WASHER PLATE		pz	2
4	06716005	OIL SEAL		pz	1
5	06717005	OIL SEAL		pz	1
6	06718005	BEARING		pz	1
7	05699005	CIRCLIP		pz	1
8	06719005	WATER PUMP COVER		pz	1
9	06720005	GASKET HOUSING COVER 1		pz	1
10	05708005	PIN DOWEL		pz	2
11	06708005	BOLT FLANGE DEEP RECESS		pz	4
12	06617005	BOLT FLANGE DEEP RECESS		pz	1
13	05705005	GASKET		pz	1



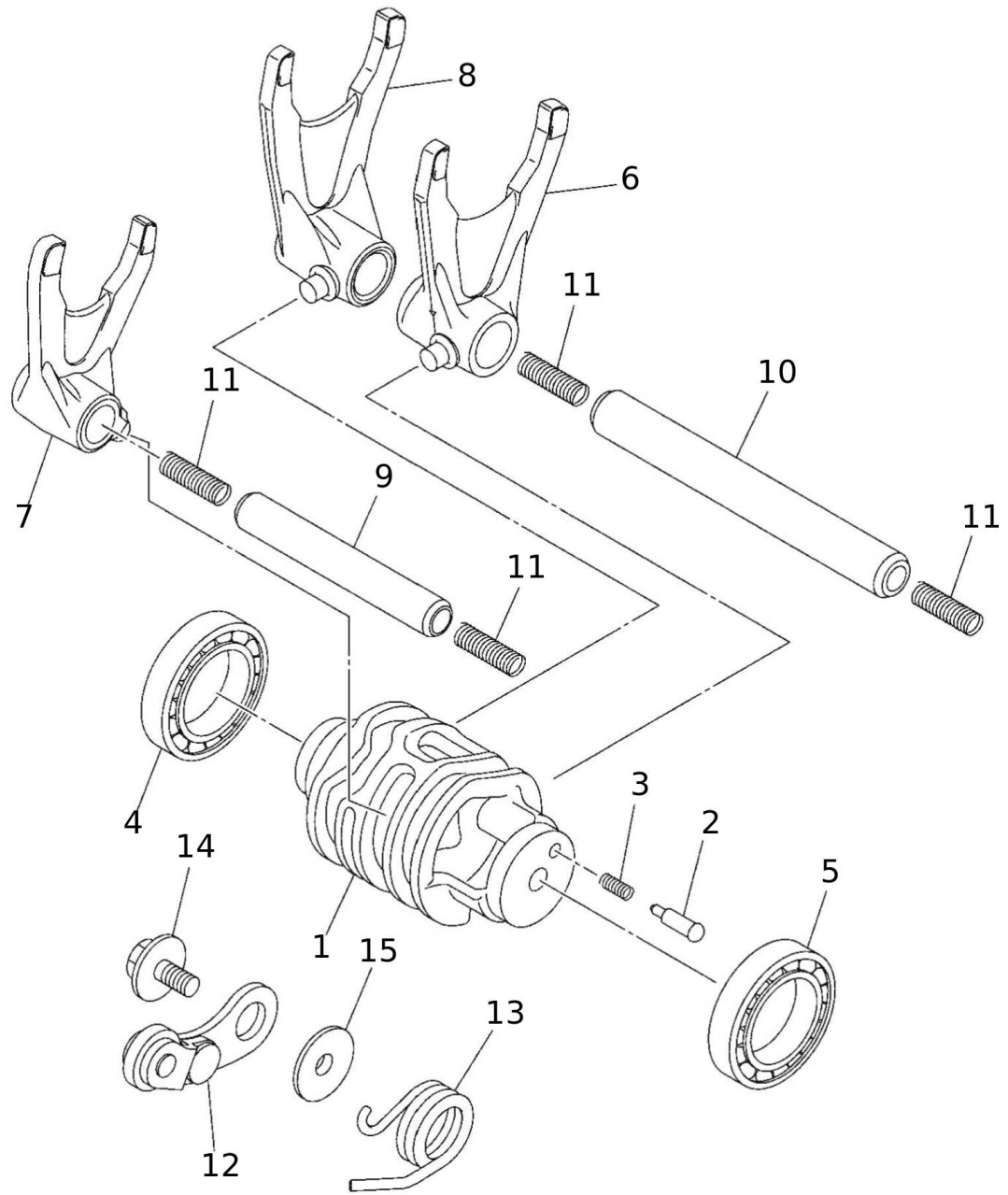
#	Code	Description	Specification	UM	Qty
1	06740005	OIL PUMP ASSY		pz	1
2	06741005	BOLT HEXAGON SOCKET HEAD		pz	2
3	06742005	GASKET		pz	1
4	06743005	STRAINER OIL		pz	1
5	06744005	O-RING		pz	1
6	06565005	SCREW WITH WASHER		pz	1



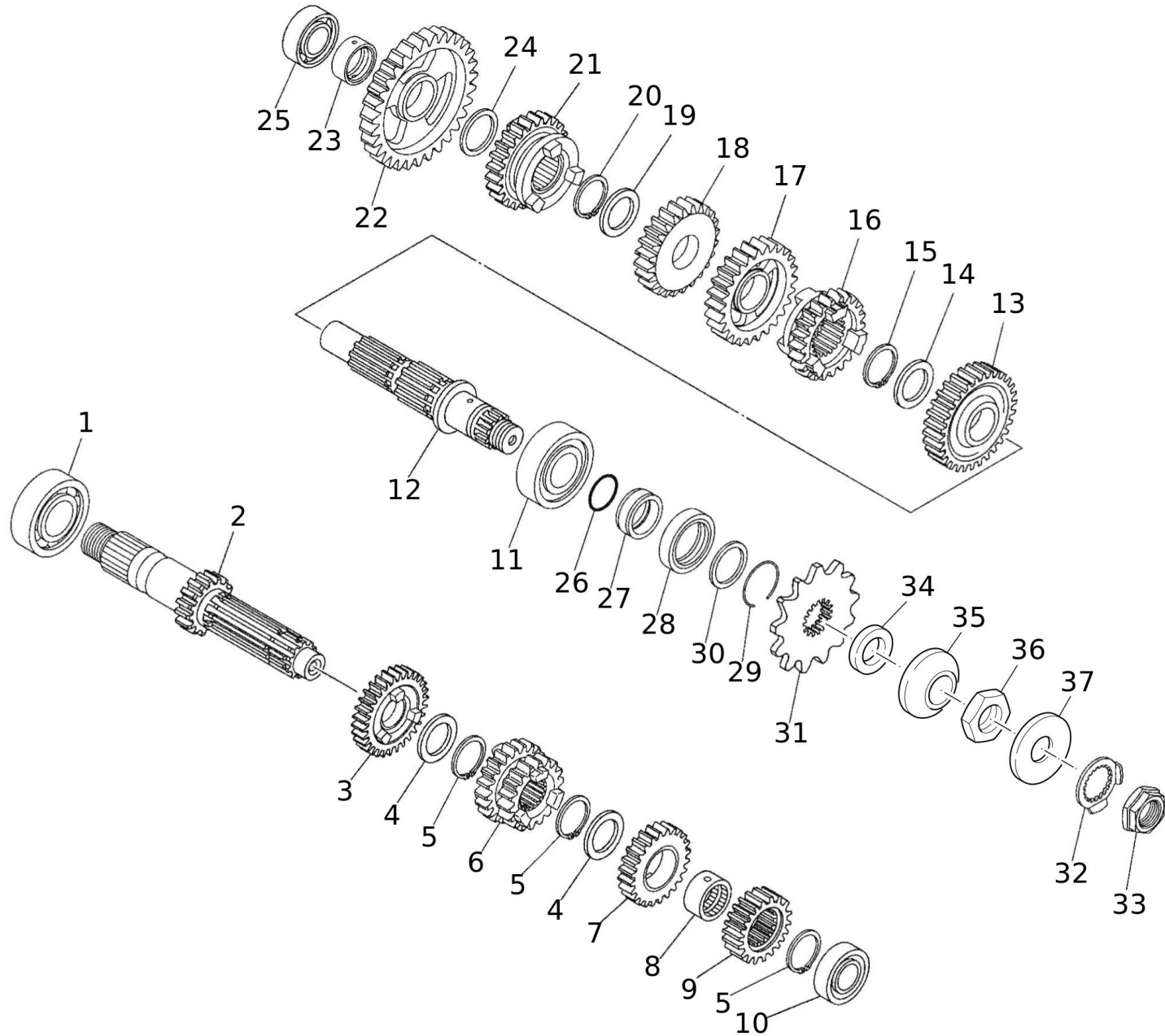
#	Code	Description	Specification	UM	Qty
1	06746005	ELEMENT ASSY OIL CLEANER		pz	1
2	06747005	COPERCHIO FILTRO OLIO		pz	1
3	06748005	O-RING		pz	1
4	06749005	BOLT FLANGE DEEP RECESS		pz	2



#	Code	Description	Specification	UM	Qty
1	06919005	SEGMENT		pz	1
2	05986005	PIN SHIFT		pz	1
3	06920005	LEVER, SHIFT 2		pz	1
4	05987005	ROLLER SHIFT LEVER		pz	1
5	05988005	PAWL SHIFTER		pz	2
6	05989005	SPRING COMPRESSION		pz	2
7	05990005	PIN PAWL		pz	2
8	06921005	GUIDE, SHIFT		pz	1
9	05992005	BOLT		pz	2
10	06922005	SHIFT SHAFT ASSY		pz	1
11	06923005	BOCCOLA		pz	1
12	06924005	MOLLA DI TORSIONE		pz	1
13	05982005	PIN DOWEL		pz	1
14	06925005	SHIFT PEDAL ASSY		pz	1
15	06926005	BOLT WITH WASHER		pz	1
16	06927005	OIL SEAL		pz	1

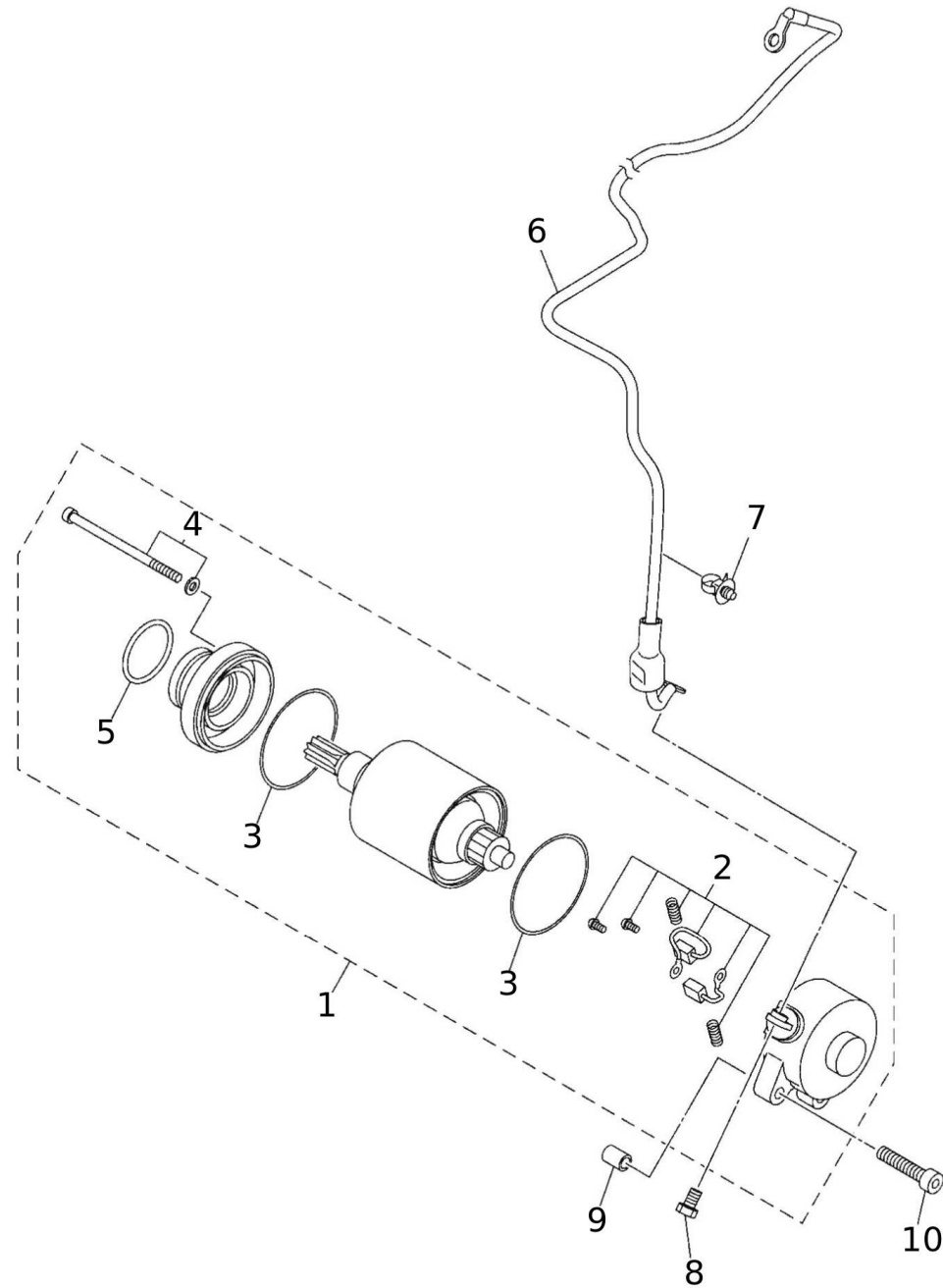


#	Code	Description	Specification	UM	Qty
1	09071005	CAM, SHIFT	XXF	pz	1
1	09380001	CAM, SHIFT	XEF	pz	1
2	06906005	PIN ARM		pz	1
3	06907005	SPRING COMPRESSION		pz	1
4	06197005	BEARING		pz	1
5	06908005	BEARING		pz	1
6	06909005	FORK, SHIFT 1	XEF	pz	1
6	08244005	FORK, SHIFT 1	XXF	pz	1
7	06910005	FORK, SHIFT 2	XEF	pz	1
7	08245005	FORK, SHIFT 2	XXF	pz	1
8	06911005	FORK, SHIFT 3	XEF	pz	1
8	08246005	FORK, SHIFT 3	XXF	pz	1
9	06912005	BAR SHIFT FORK GUIDE 1		pz	1
10	06913005	BAR SHIFT FORK GUIDE 2		pz	1
11	06914005	SPRING COMPRESSION		pz	4
12	06915005	STOPPER LEVER ASSY		pz	1
13	06916005	MOLLA DI TORSIONE		pz	1
14	06917005	BOLT WITH WASHER		pz	1
15	06918005	SPACER 1		pz	1

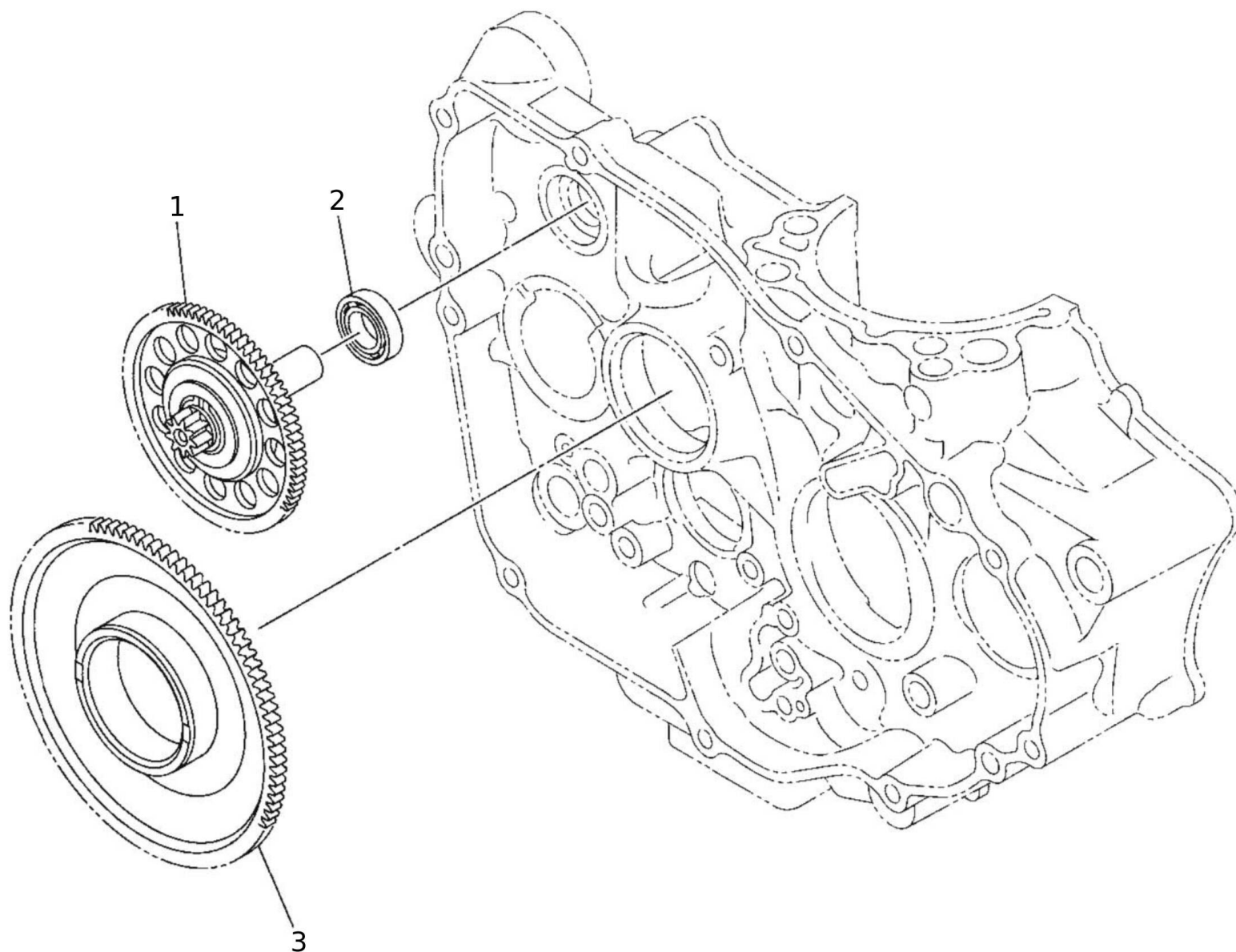


#	Code	Description	Specification	UM	Qty
1	06882005	BEARING		pz	1
2	06883005	ALBERO PRIMARIO	XE	pz	1
2	08232005	ALBERO PRIMARIO	XX	pz	1
3	06884005	GEAR 6TH PINION (27T)	XE	pz	1
3	09064005	INGRANAGGIO MOVENTE 5A MARCIA (24T)	XX	pz	1
4	05948005	WASHER PLATE		pz	2
5	05937005	CIRCLIP		pz	3
6	06885005	GEAR 3RD PINION (18T/21T)	XE	pz	1
6	09065005	INGRANAGGIO MOVENTE 3A MARCIA (20T)	XX	pz	1
7	06886005	GEAR 5TH PINION (23T)	XE	pz	1
7	09066005	INGRANAGGIO MOVENTE 4A MARCIA (18T)	XX	pz	1
8	06887005	BOCCOLA		pz	1
9	06888005	GEAR 2ND PINION (16T)	XE	pz	1
9	08236005	GEAR 2ND PINION (16T)	XX	pz	1
10	06889005	BEARING		pz	1
11	06890005	BEARING		pz	1
12	06891005	ALBERO SECONDARIO	XE	pz	1
12	09067005	ALBERO SECONDARIO	XX	pz	1
13	06892005	GEAR 2ND WHEEL (29T)	XE	pz	1
13	08238005	GEAR, 2ND WHEEL (28T)	XX	pz	1
14	05953005	WASHER PLATE		pz	1
15	05952005	CIRCLIP		pz	1
16	06893005	GEAR 5TH WHEEL (22T)	XE	pz	1
16	09068005	INGRANAGGIO CONDOTTO 4A MARCIA(22T)	XX	pz	1
17	06894005	INGRANAGGIO CONDOTTO 3A MARCIA (26T)	XE	pz	1
18	06895005	GEAR 4TH WHEEL (24T)	XE	pz	1
18	09069005	INGRANAGGIO CONDOTTO 3A MARCIA(26T)	XX	pz	1
19	05948005	WASHER PLATE		pz	1
20	05937005	CIRCLIP		pz	1
21	06896005	GEAR 6TH WHEEL (22T)	XE	pz	1
21	09070005	INGRANAGGIO CONDOTTO 5A MARCIA(25T)	XX	pz	1
22	06897005	GEAR 1ST WHEEL (31T)	XE	pz	1
22	08242005	GEAR, 1ST WHEEL(30T)	XX	pz	1
23	06898005	BOCCOLA		pz	1
24	06899005	WASHER PLATE		pz	1
25	05942005	BEARING		pz	1
26	06900005	O-RING		pz	1
27	06901005	BOCCOLA		pz	1
28	05958005	OIL SEAL		pz	1
29	06902005	CIRCLIP		pz	1

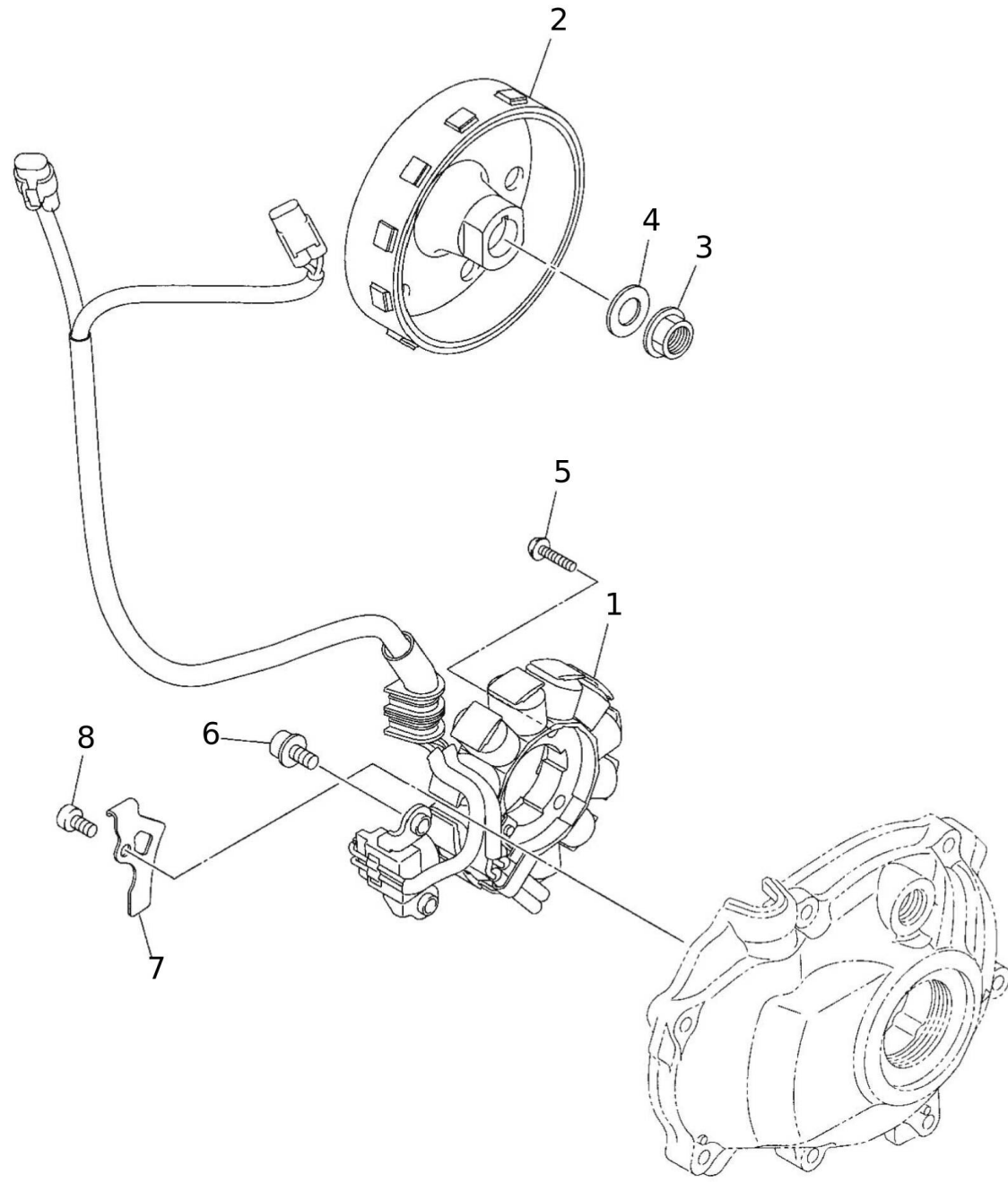
#	Code	Description	Specification	UM	Qty
30	06903005	WASHER PLATE		pz	1
31	05960005	PINION Z13		pz	1
32	05961005	WASHER LOCK		pz	1
33	05962005	NUT		pz	1
34	07398005	FRONT SPROCKET RUBBER DISC XE	XEF	pz	1
35	07392005	SPRING	XEF	pz	1
36	07399005	LOWERED NUT M18x1	XEF	pz	1
37	07400005	BUSHING	XEF	pz	1



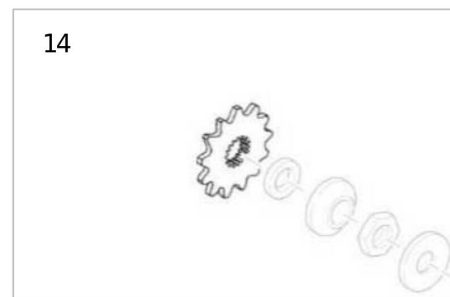
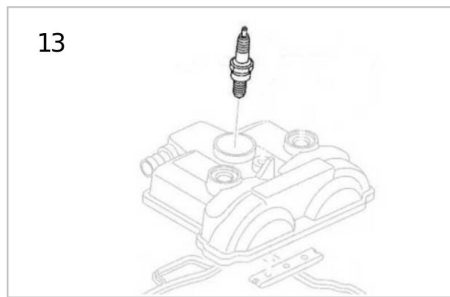
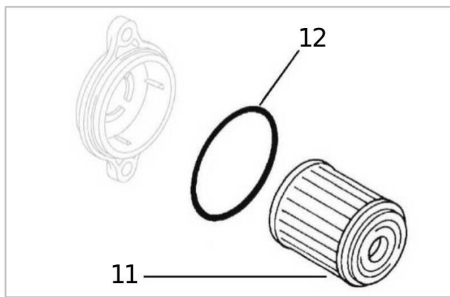
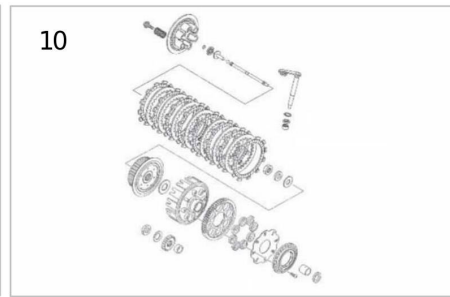
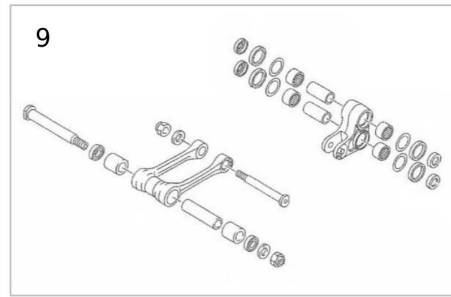
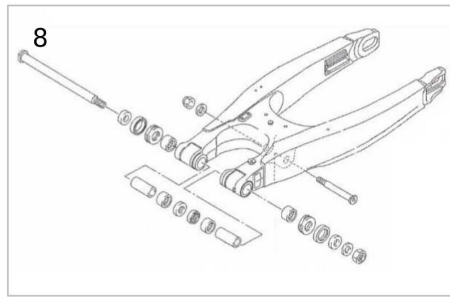
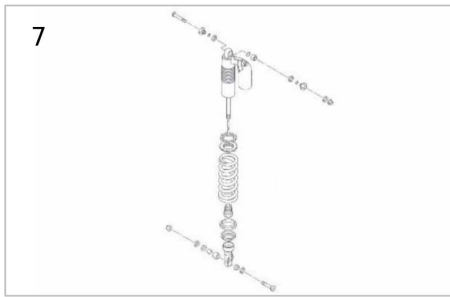
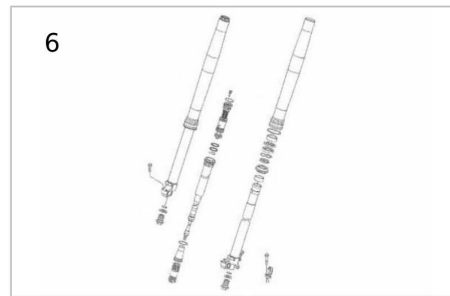
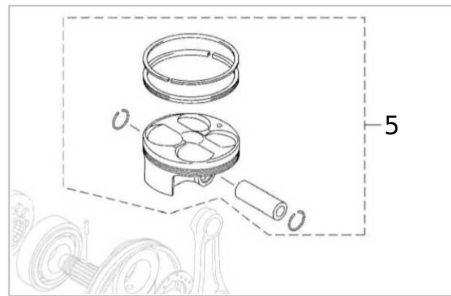
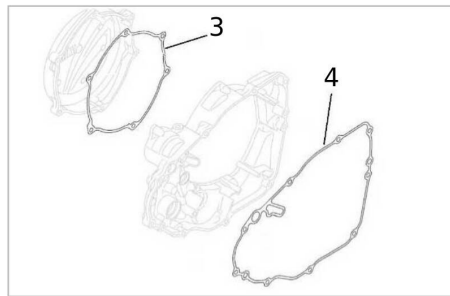
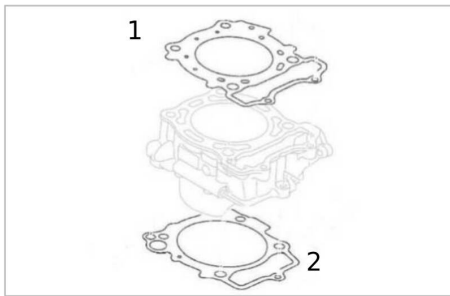
#	Code	Description	Specification	UM	Qty
1	07099020	MOTOR ASSY		pz	1
2	07100005	.BRUSH SET		pz	1
3	07101005	SEAL		pz	2
4	07102005	VITE		pz	2
5	07103005	O-RING		pz	1
6	07104005	CORD COMP.	XEF	pz	1
6	09381001	CAVO MOTORINO AVV	XXF	pz	1
7	07105005	FASCETTA		pz	1
8	07106005	BOLT 2		pz	1
9	07107005	PIN DOWEL		pz	2
10	07108005	BOLT HEXAGON SOCKET HEAD		pz	2



#	Code	Description	Specification	UM	Qty
1	06850005	DAMPER ASSY		pz	1
2	06851005	BEARING		pz	1
3	06852005	GEAR 3		pz	1



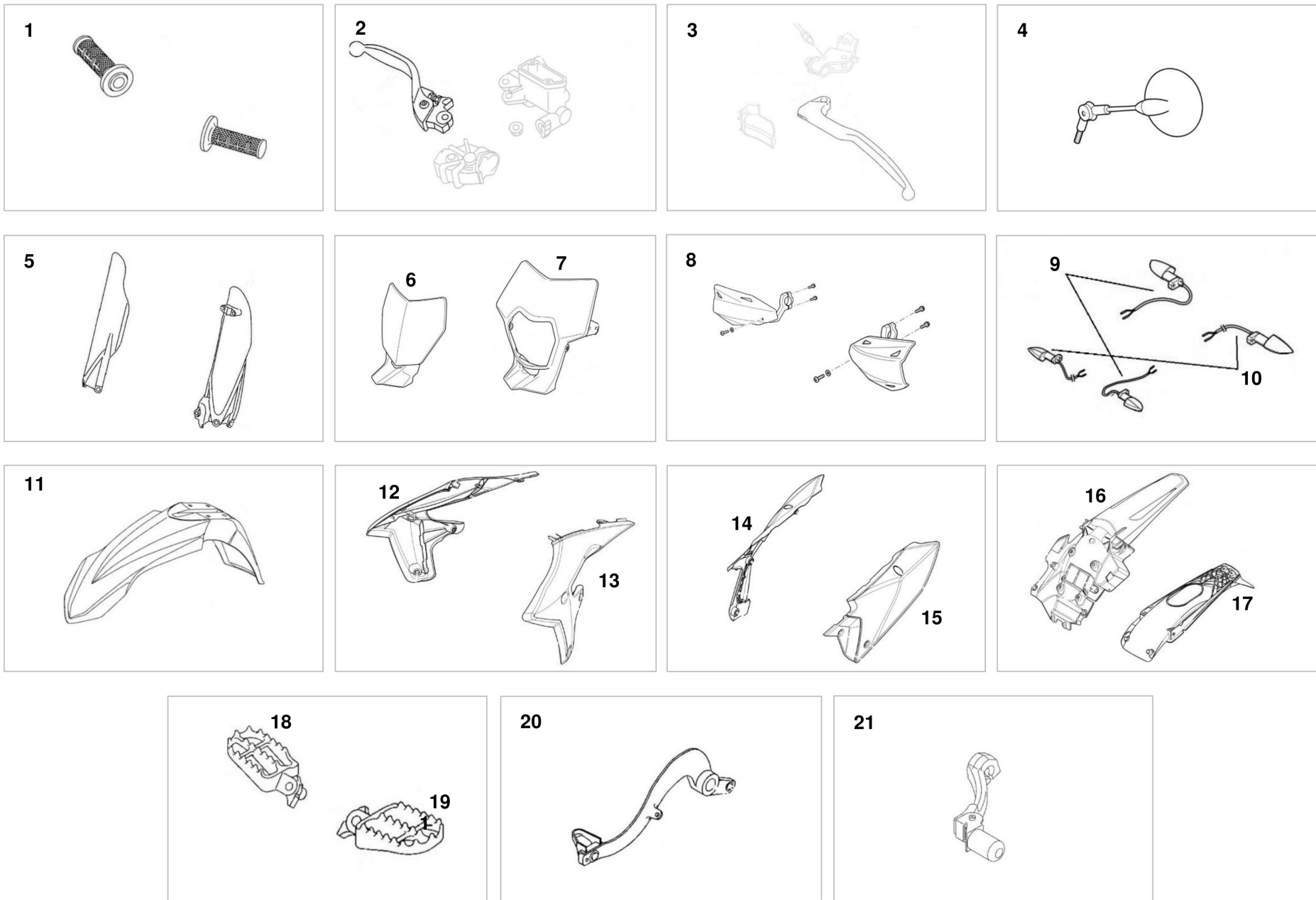
#	Code	Description	Specification	UM	Qty
1	09094005	STAORE XXF450	XXF	pz	1
1	09228005	BASE ASSY	XEF	pz	1
2	07093005	RACING FLYWHEEL ROTOR	XEF	pz	1
2	08292005	RACING FLYWHEEL ROTOR	XXF	pz	1
3	07094005	NUT		pz	1
4	06376005	WASHER PLATE		pz	1
5	07095005	VITE		pz	3
6	07096005	BOLT HEXAGON SOCKET HEAD		pz	2
7	07097005	CLAMP 1		pz	1
8	07098005	BOLT HEXAGON SOCKET HEAD		pz	1



#	Code	Description	Specification	UM	Qty
1	06620005	GASKET CYLINDER HEAD 1	250cc	pz	1
1	V1096005	GASKET CYLINDER HEAD	310cc	pz	1
2	06632005	GASKET CYLINDER	250cc	pz	1
2	V1097005	GASKET CYLINDER	310cc	pz	1
3	06849005	GASKET CRANKCASE COVER		pz	1
4	06848005	GASKET, CRANKCASE COVER 3	XXF	pz	1
4	09370001	GASKET, CRANKCASE COVER 3	XXF	pz	1
5	06656020	PISTON ASSY	XXF 250cc	pz	1
5	09375001	PISTON ASSY	XEF 250cc	pz	1
5	V1092005	PISTONE FORGIATO COMPLETO SEL.A	XEF 310cc	pz	1
5	V1093005	PISTONE FORGIATO COMPLETO SEL.B	XEF 310cc	pz	1
5	V1094005	PISTONE FORGIATO COMPLETO SEL.C	XEF 310cc	pz	1
6	09386001	KIT PARAOLI FORCELLA		pz	1
7	09101005	KIT CUSCINETTI-PARAOLI AMMORTIZZATORE		pz	1
8	09098005	KIT CUSCINETTI-PARAOLI FORCELLONE		pz	1
9	09099005	KIT CUSCINETTI-PARAOLI LEVERAGGI		pz	1
10	09382001	KIT DISCHI FRIZIONE-MOLLE-OR	XEF XEF	pz	1
10	09383001	KIT DISCHI FRIZIONE-MOLLE-OR	XXF XXF	pz	1
10	09384001	KIT DISCHI FRIZIONE GUARNITI	XEF XEF	pz	1
10	09385001	KIT DISCHI FRIZIONE GUARNITI	XXF XXF	pz	1
11	06746005	ELEMENT ASSY OIL CLEANER		pz	1
12	06748005	O-RING		pz	1
13	06619005	PLUG SPARK (NGK LMAR8E-J)	XEF	pz	1
13	08207005	PLUG, SPARK (NGKLMAR9E-J)	XXF	pz	1
14	05960005	PINION Z13		pz	1
15	06268005	CHAIN 520 114 LINKS WITH MASTER JOINT		pz	1
16	06242005	SPROCKET DRIVEN (48T)		pz	1
16	06243005	SPROCKET DRIVEN (47T)		pz	1
16	06247005	SPROCKET DRIVEN (52T)		pz	1
16	07060005	SPROCKET DRIVEN (51T)		pz	1
16	07061005	SPROCKET DRIVEN (48T)		pz	1
16	07062005	SPROCKET DRIVEN (50T)		pz	1
16	07063005	SPROCKET DRIVEN (52T)		pz	1
16	08128005	SPOROCKET		pz	1
16	08468001	CORONA POST 51D MY22		pz	1
16	08696005	CORONA POST Z 50 MY22		pz	1

#	Code	Description	Specification	UM	Qty
16	08697005	CORONA POST 49D MY22		pz	1
17	09225020	KIT MINUTERIE OFF-ROAD		pz	1





#	Code	Description	Specification	UM	Qty
1	07437005	OFF-ROAD KNOB PAIR		pz	1
2	08740005	LEVA FRENO ANT.		pz	1
3	07595020	KIT SUPPORTO LEVA 1	XEF	pz	1
3	08499020	LEVER HOLDER ASSY, 1	XXF	pz	1
4	07407005	REAR-VIEW MIRROR E-141 WITH IRON CLAMP		pz	2
5	07364005	KIT FORK GUARD XEF	XEF white	pz	1
5	07662005	FORK SLIDER PROTECTORS (PAIR)	XXF white	pz	1
5	V0222005	KIT PARASTELI XX/XE NERI	XXF black	pz	1
5	V0906005	KIT PARASTELI XEF NERI	XEF black	pz	1
6	07503005	FRONT PLATE NUMBER OFF-ROAD	XXF	pz	1
7	07501005	HEADLIGHT FAIRING XE/XEF	XEF	pz	1
8	02163005	HANDGUARD (WHITE) WITHOUT STICKER	XEF	pz	1
9	05121005	DIRECTION INDICATOR FRONT LH / REAR RH	XEF XEF	pz	1
10	05120005	DIRECTION INDICATOR FRONT RH / REAR LH	XEF XEF	pz	1
11	07500005	FRONT FENDER OFF-ROAD WHITE	white	pz	1
11	07504005	MUDGUARD	black	pz	1
12	07506005	SIDE FAIRING	white	pz	1
12	V0221005	CONVOGLIATORE DX XEF/XXF NERO	black	pz	1
13	07505005	SIDE FAIRING	white	pz	1
13	V0220005	CONVOGLIATORE SX XEF/XXF NERO	black	pz	1
14	07508005	SIDE FAIRING	white	pz	1
14	V0940005	FIANCHETTO POST DX XEF/XXF NERO/GRIGIO	black	pz	1
15	07507005	SIDE FAIRING	white	pz	1
15	V0941005	FIANCHETTO POST SX XEF/XXF NERO/GRIGIO	black	pz	1
16	07509005	MUDGUARD	XEF	pz	1
16	08117005	PARAFANGO POSTERIORE XXF	XXF	pz	1
17	07368005	LICENSE PLATE	XEF	pz	1
18	08532005	PEDANA DESTRA		pz	1
19	08531005	PEDANA SINISTRA		pz	1
20	07078005	PEDALE FRENO		pz	1
21	06925005	SHIFT PEDAL ASSY		pz	1