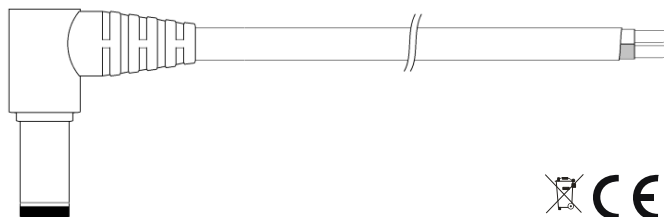
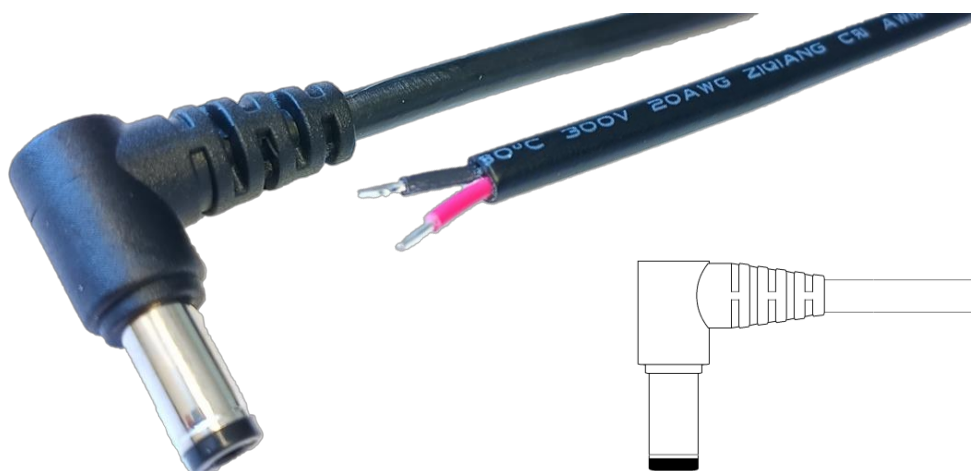


POSDC-Y-P25L-1.0 series

DC Power Cable



model

POSDC-T-P25L-1.0

power cable **1000mm** long, angle plug 2.5x5.5x10mm

mechanical specification

connector type (output)	angle plug 2.5x5.5x10 mm (inner diameter / outer diameter / length)
connector type (input)	5 mm long tinned wires
length	1000mm
wire diameter	2x0.5mm ²
wire construction	pure copper core, flexible, multiwire conductors
jacket	PVC - double insulation
inner conductor	Cu
cable cross section	4.2 mm
color of the cores	outside - black / inside - black & red

electrical specification

nominal voltage	0 - 60V
rated current	3A
Insulation resistance	>100MΩ @ 300Vdc
Insulation thickness	0.4mm
Wire resistance	max 0.039Ω/m
Working Temperature	-20°C ÷ 80°C

safety

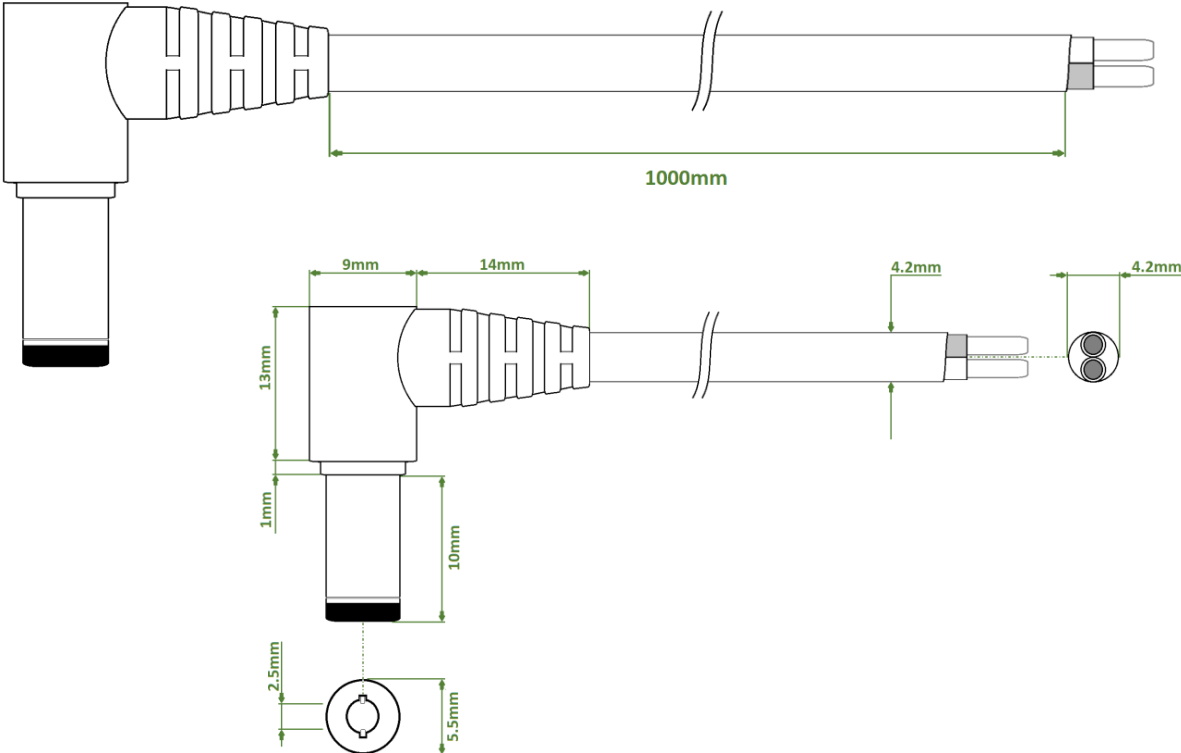
RoHS	RoHS 2015/863
LVD	LVD 2014/35/UE



POSDC-Y-P25L-1.0 series

DC Power Cable

mechanical specification



connection

