
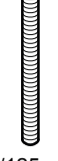

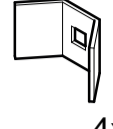
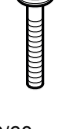
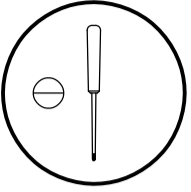
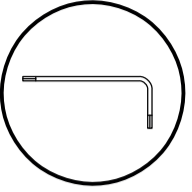


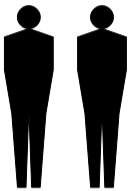
Montage Instructies Manual

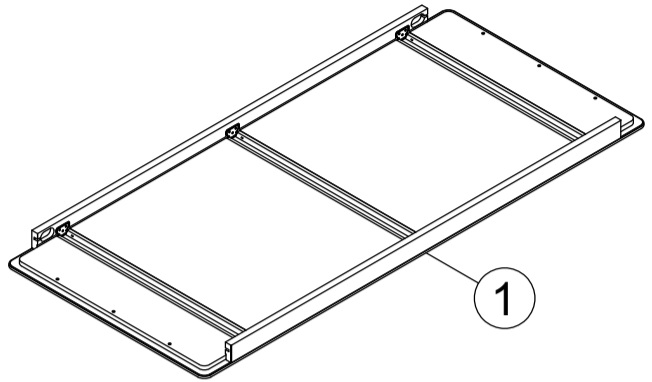
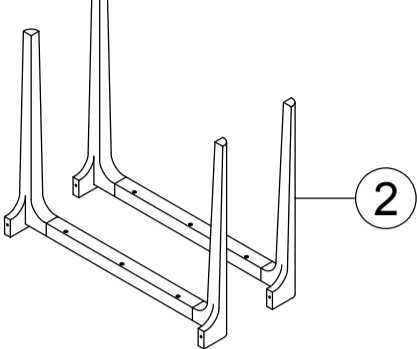
Rikke Tafel

A  4X	B  M 6/125 4X	C  M 6 4X	D  4X	E  M 6/60 6X
---	---	---	---	--

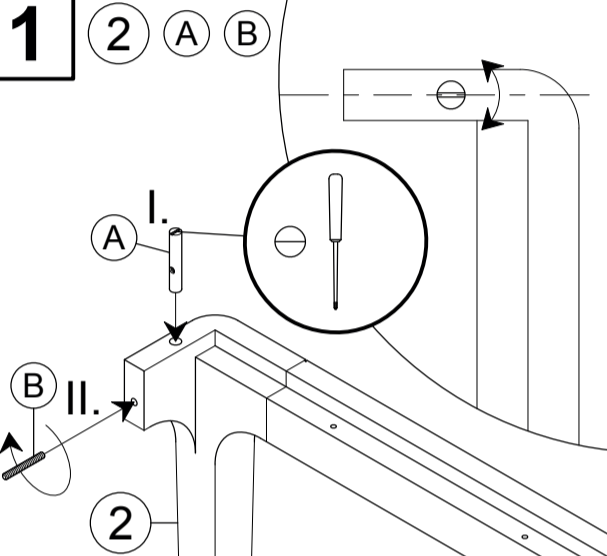



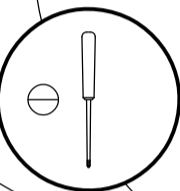
25 - 30 min.

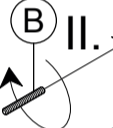


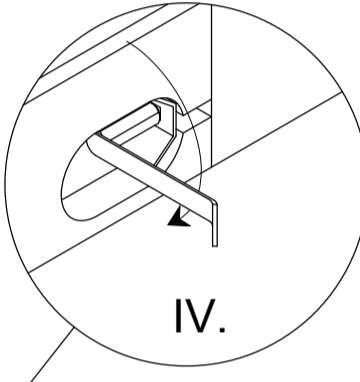



1 (2) (A) (B)

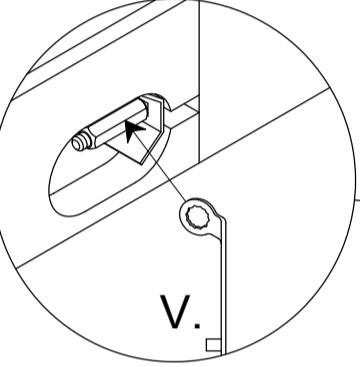


I. 

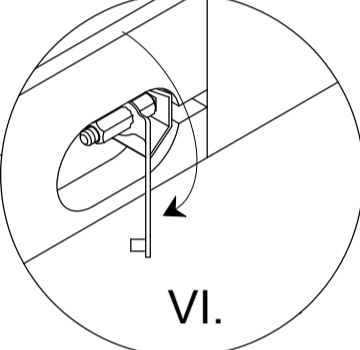
II. 



IV.

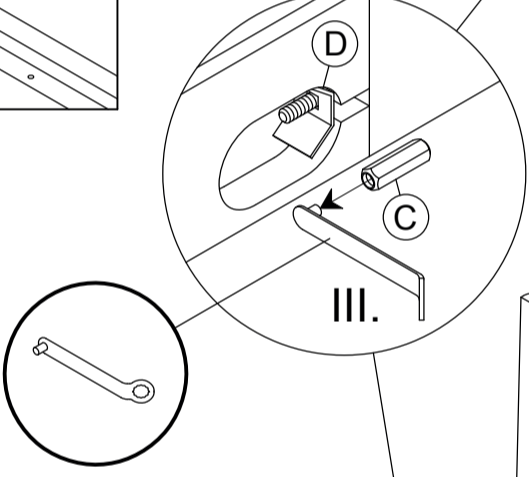


V.

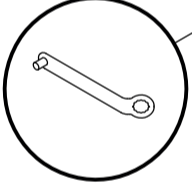


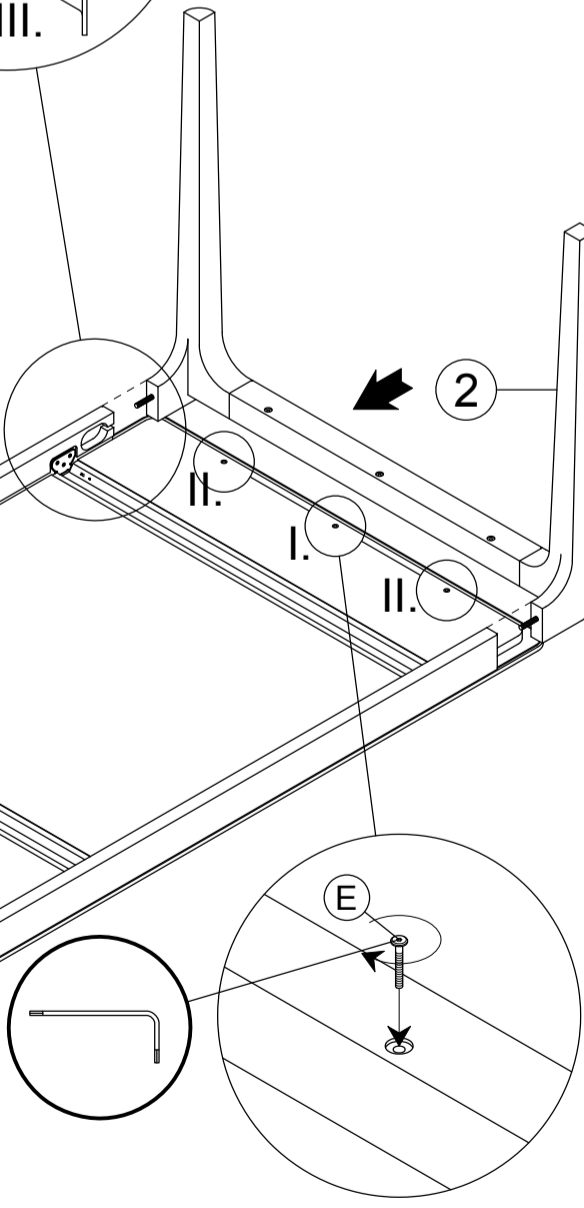
VI.

2 (1) (2) (C) (D) (E)

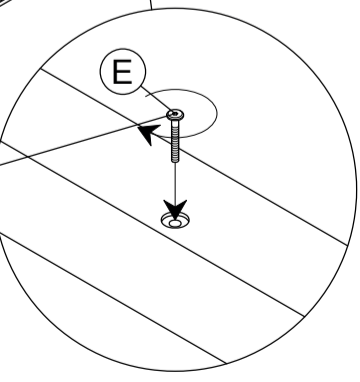


III.

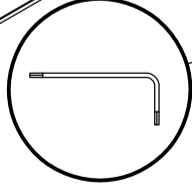




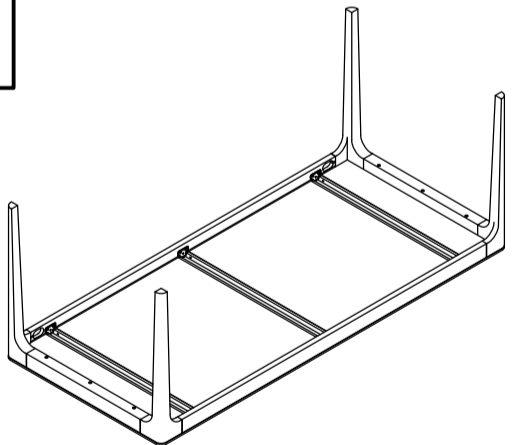
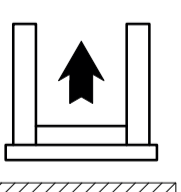
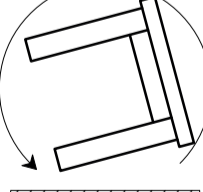
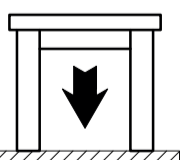
I. II. II.

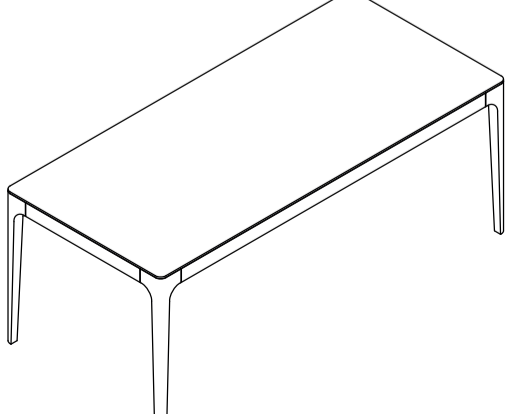


E

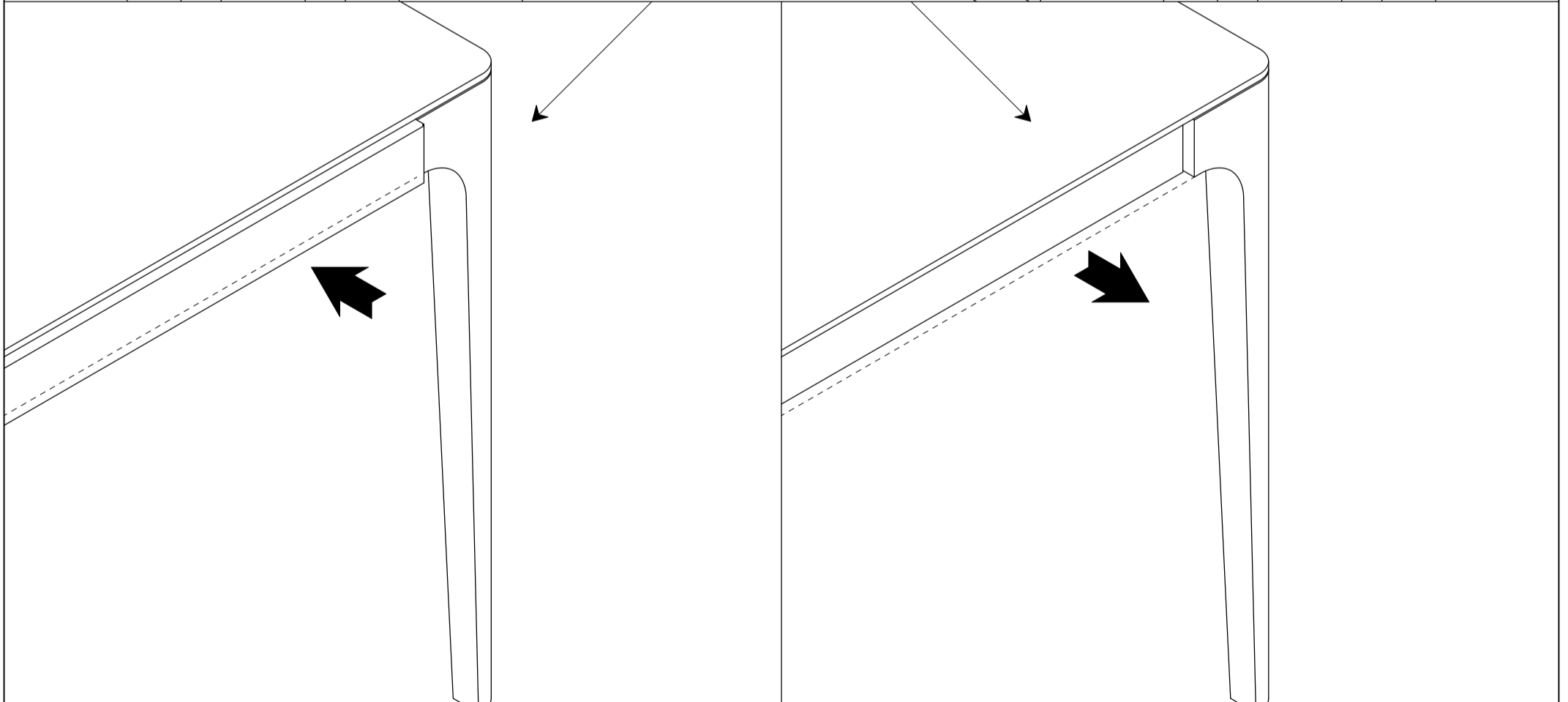
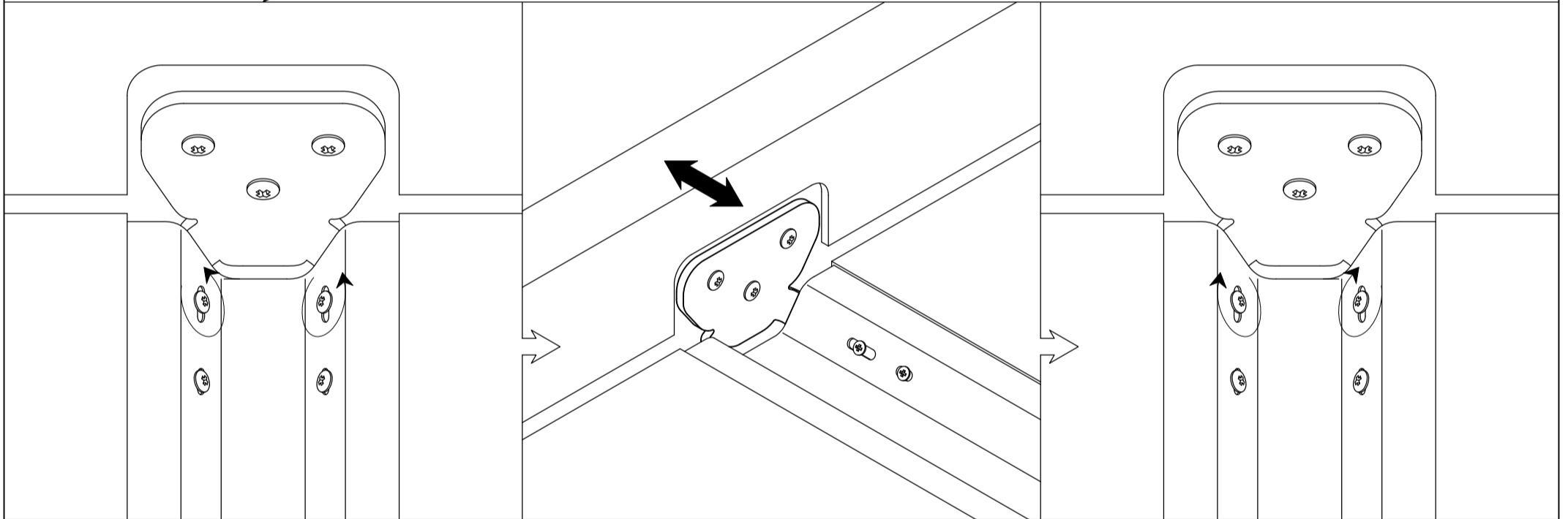
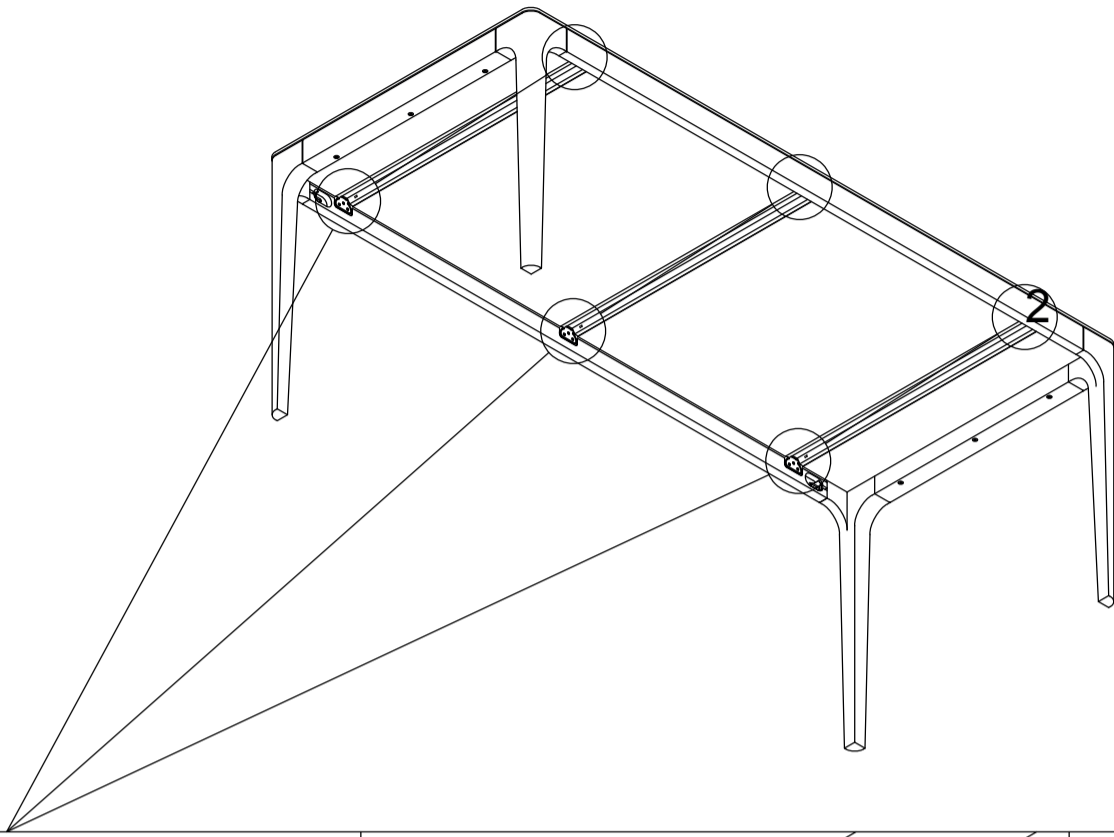


3



4



SAV&ØKSE