

POOLIN®

# Operation Manual

EOC01 Series



# IMPORTANT SAFETY INSTRUCTIONS

When using an electrical appliance, basic safety precautions should always be followed, including the following.

Read all instructions before using this sewing machine.



## **DANGER**

**To reduce the risk of electric shock:**

1. Do not allow to be used as a toy. Close attention is necessary when this sewing machine is used by or near children.
2. This appliance can be used by children aged from 8 years and above and persons with reduced physical, sensory or mental capabilities or lack of experience and knowledge if they have been given supervision or instruction concerning use of the appliance in a safe way and understand the hazards involved. Children shall not play with the appliance. Cleaning and user maintenance shall not be made by children without supervision.
3. Use this sewing machine only for its intended use as described in this manual. Use only attachments recommended by the manufacturer as contained in this manual.
4. Never operate this sewing machine if it has a damaged cord or plug, if it is not working properly, if it has been dropped or damaged, or dropped into water. Return the sewing machine to the nearest authorized dealer or service center for examination, repair, electrical or mechanical adjustment.
5. Never operate the sewing machine with any air openings blocked. Keep ventilation openings of the sewing machine and foot control free from the accumulation of lint, dust, and loose cloth.
6. Never drop or insert any object into any opening.
7. Do not use outdoors.
8. Do not operate where aerosol (spray) products are being used or where oxygen is being administered.
9. To disconnect, turn switch to the off ("O") position, then remove plug from outlet.
10. Do not unplug by pulling on cord. To unplug, grasp the plug, not the cord.
11. Keep fingers away from all moving parts. Special care is required around the sewing machine needle.
12. Never sew with a damaged needle plate as this can cause needle to break.
13. Do not use bent needles.
14. Do not pull or push fabric while stitching. It may deflect the needle causing it to break.
15. Switch the sewing machine off ("O") when making any adjustments in the needle area, such as threading needle, changing needle, threading bobbin, or changing presser foot, etc.
16. Always unplug sewing machine from the electrical outlet when removing covers, lubricating, or when making any other user servicing adjustments mentioned in the instruction manual.
17. Attention the following to avoid injury:
  - switch off or unplug the appliance when leaving it unattended;
  - unplug the appliance before carrying out maintenance.



## **CAUTION**

**Moving parts-To reduce risk of injury, switch off before servicing. Close cover before operating machine.**

## SAVE THESE INSTRUCTIONS

This product is for household use, or equivalent.

**This appliance complies with EMC Directive 2014/30/EU covering the electromagnetic compatibility.**



Please note that on disposal, this product must be safely recycled in accordance with relevant National legislation relating to electrical/ electronic products. If in doubt please contact your retailer for guidance.

# CONTENTS

## 1. KNOWING YOUR SEWING MACHINE

Machine identification	2
Main parts	2
Needle and presser parts	2
Setting up your machine	3
Power line cord/foot control	3
Power/light switch	3
Converting to free-arm sewing	4
Presser foot lifter	4
Reverse sewing lever	4
Stitch length dial	4
Needle position button	4
Dropping the feed dogs	5
Seam guide line	5
Setting spool pins	5
Winding the bobbin	5
Removing or replace the bobbin case	6
Threading the bobbin case	6
Changing the presser foot	6
Threading the machine	7
Single needle	7
Twin needle	7
Using automatic needle threader	7
Drawing up bobbin thread	8
Balancing top thread tension	8
Needle, thread and fabric chart	9
Changing the needle	9
Functions of control panel	10
Pattern selection	10
Stitch width selection	10
Twin needle selection	10
Helpful messages	10

## 2. SEWING BASIC

Sewing	12
Normal sewing steps	12
Select stitch	12
Example	13
Start sewing	14
Reverse sewing	14
Useful sewing tips	15

### 3. UTILITY STITCHES

Straight stitch -----	16
Sewing -----	16
Keep seam straight -----	16
change the needle position -----	16
Zigzag stitch/overcasting stitch -----	17
Blind hem stitch -----	18
Zipper insertion -----	19
Piping -----	19
Button sewing -----	20
Buttonhole sewing -----	21
Free seam -----	22
Decorative stitch -----	23

### 4. CARING FOR YOUR MACHINE

Dismantling and assembling shuttle race -----	26
Cleaning the feed dogs -----	27
Oiling the needle bar -----	28
Oiling the connecting rod -----	28

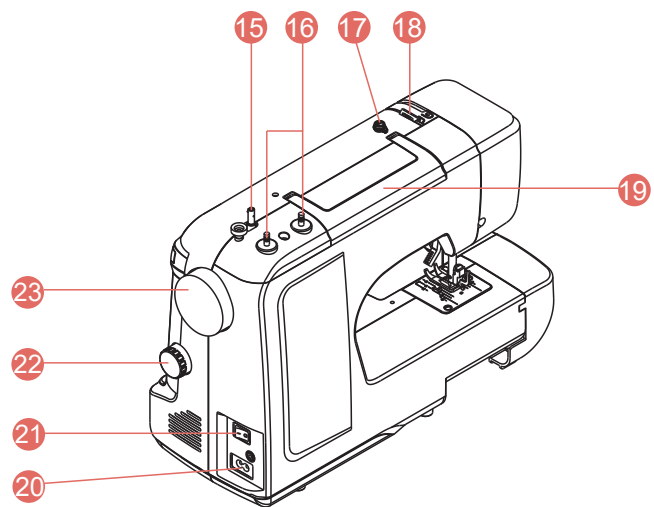
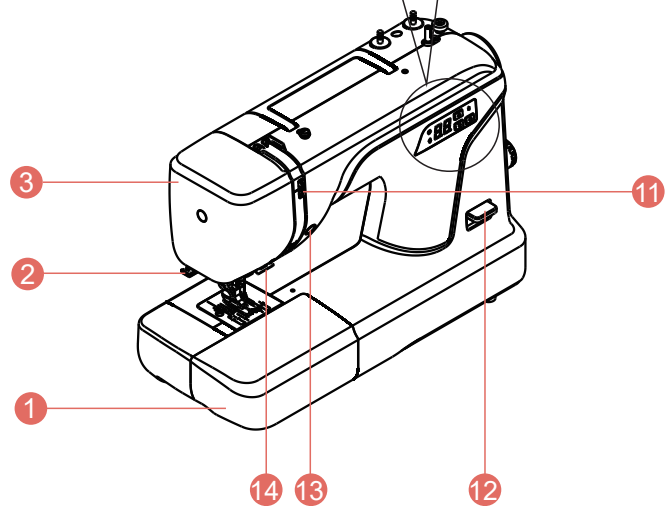
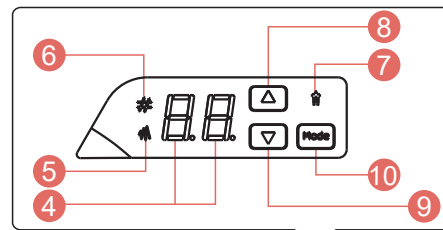
### 5. TROUBLESHOOTING -----29

# KNOWING YOUR SEWING MACHINE

## Machine identification

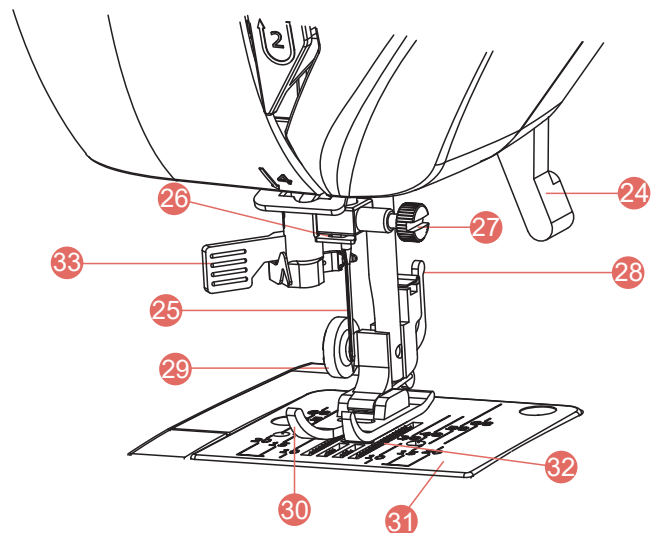
### Main parts

1. Accessory box
2. Thread cutter
3. Face cover
4. LED display
5. Stitch width indicator LED
6. Pattern indicator LED
7. Twin needle indicator LED
8. Increase button
9. Decrease button
10. Mode selection button
11. Thread tension control dial
12. Reverse sewing lever
13. Needle position button
14. Lower thread guide
15. Bobbin winder shaft
16. Spool pins
17. Bobbin winder thread guide
18. Top thread guide
19. Handle
20. Cord socket
21. Power/light switch
22. Stitch length dial
23. Hand wheel
24. Presser foot lifter



### Needle and presser parts

25. Needle
26. Needle bar thread guide
27. Needle clamp screw
28. Presser foot holder
29. Presser foot screw
30. Presser foot
31. Needle plate
32. Feed dogs
33. Automatic needle threader



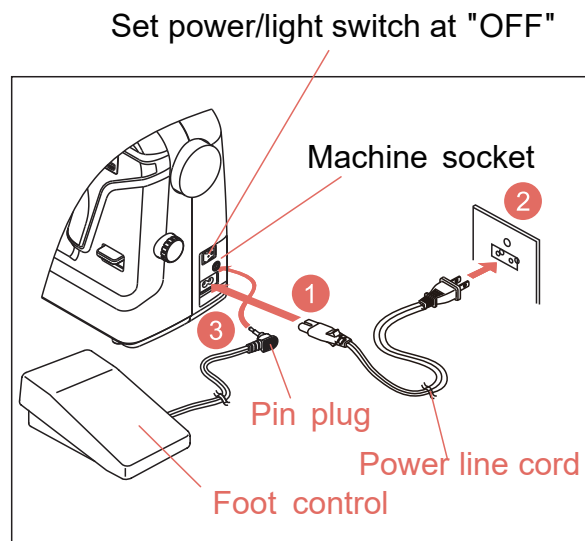
# KNOWING YOUR SEWING MACHINE

## Setting up your machine

Be sure to wipe off any surplus oil from needle plate area before using your machine the first time.

### Power line cord/foot control

Make sure that the sewing machine is turned off (the power switch is set to "O"), and then connect the plug of the power line and into the cord socket ① and your wall outlet ② as illustrated. Connect the foot control plug ③ into the machine socket.



### NOTE:

When foot control is disconnected, the machine will not operate.



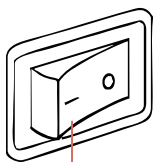
### CAUTION

Always disconnect the machine from power, supply by removing the plug from the wall-outlet.

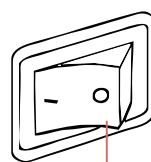
## Power/light switch

Your machine will not operate until the power/light switch is turned on. The same switch controls both the power and the light.

When servicing the machine, or changing needles, etc., machine must be disconnected from the power supply.



Power / Light Switch "OFF"



Power / Light Switch "ON"

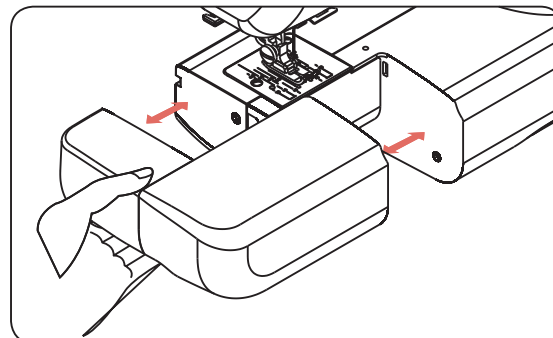
# KNOWING YOUR SEWING MACHINE

## Converting to free-arm sewing

Your machine can be used either as a flat-bed or as a free-arm model.

With the extension table in position, it provides a large working surface as a standard flat-bed model.

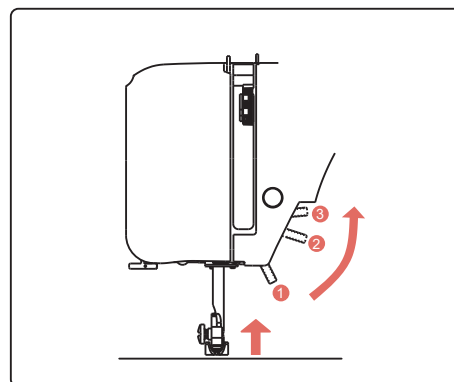
To remove the extension table, hold it firmly with both hands and pull it off to the left as shown. To replace, slide the extension table back into place until it clicks. With the extension table removed the machine converts into a slim free-arm model for sewing children's clothes, cuffs, trouser legs, and other hard-to-reach places.



## Presser foot lifter

There are three positions for your presser foot.

1. Lower the presser foot to sew.
2. Raise the lifter to the middle position to insert or remove fabric.
3. Lift it to its highest position to change the presser foot or to remove thick fabric.



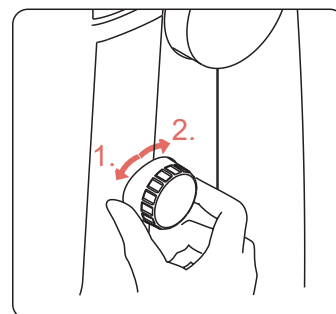
## Reverse sewing lever

As long as you are pressing down this button while sewing, the machine will feed the fabric backwards.

**NOTE:** Reverse sewing can only be used for straight stitches.

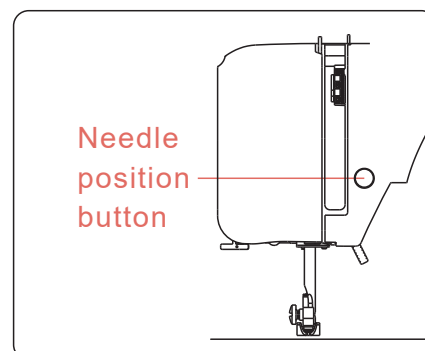
## Stitch length dial

1. Turn the dial toward you to set the stitch length. (Setting range: 0 to 4 mm.)
2. Turn the dial to the b1, b2, b3 in the opposite direction and set the buttonhole step. (Refer to page 21.)



## Needle position button

Press this button to raise or lower the needle.  
Press this button twice to sew a stitch.

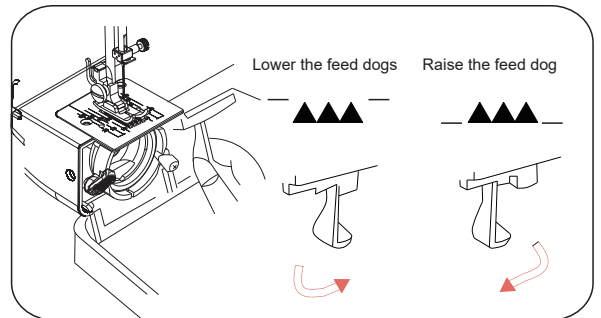


# KNOWING YOUR SEWING MACHINE

## Dropping the feed dogs

1. Lift the presser foot.
2. For dropping the feed dogs, press down lever and move it to the direction of arrow as illustrated.
3. When working with the feed dog put down, be sure to turn the stitch length dial to "0".
4. To raise the feed dogs, press down the lever and move it to the direction of arrow as illustrated.
5. Then turn the hand wheel towards you, you can see the feed dog rise.

\* **Feed dogs must always be up for normal sewing.**

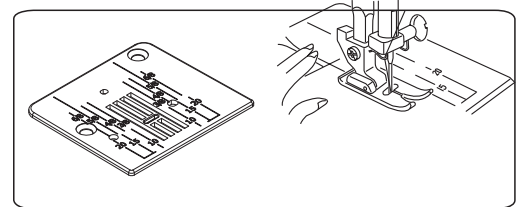


## Seam guide line

The numbers on the needle plate indicate the distance between the center needle position and the indicating line.

The numbers in the front indicate in millimeters.

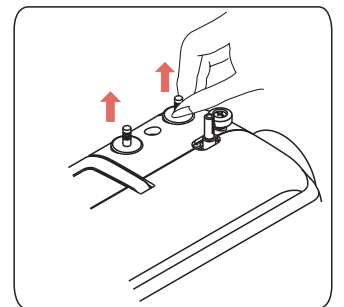
The numbers in the back indicate in inches.



## Setting spool pins

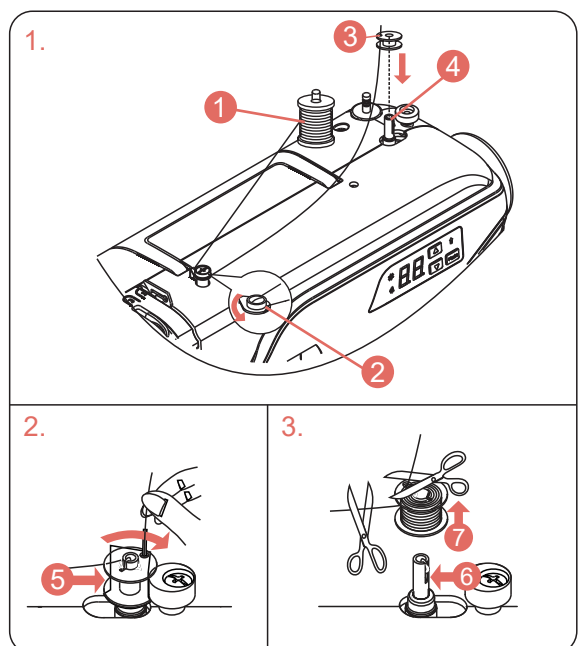
The spool pins are used for holding the spool of thread in order to feed thread to the machine.

To use, pull up the spool pin. Push down for storage.



## Winding the bobbin

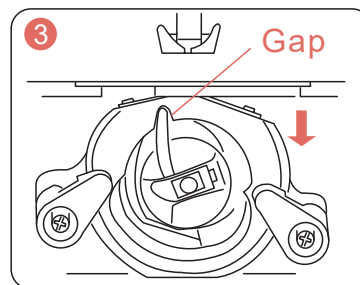
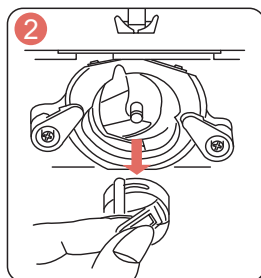
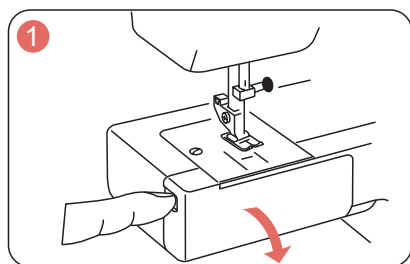
1. Place a spool of thread on the left spool pin. Pull the thread out from the spool and place it through thread guide as shown in illustration. Put end of thread through the hole in bobbin as shown.
2. Push the bobbin winder shaft to far left position, if it is not already there. Place bobbin onto the bobbin winder shaft with end of thread coming from top of bobbin. Push bobbin winder shaft to the right until it clicks. Hold onto end of thread.
3. Start machine. When under bobbin winding situation, there will be "JL" displayed in LED display window. There will be invalid and buzzer sounds when press buttons.
4. Bobbin will automatically stop turning when completely filled. Push shaft to the left to remove bobbin and cut thread.



# KNOWING YOUR SEWING MACHINE

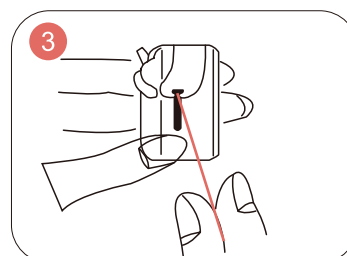
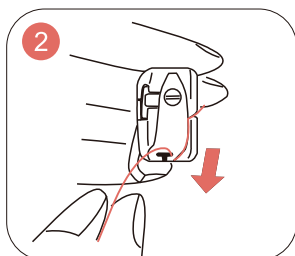
## Removing or replace the bobbin case

1. Be sure to disconnect the power supply before operating the machine.
2. Refer to page 4 to remove the accessory box, raise the needle by turning the hand wheel toward you, then open the shuttle cover.
3. Take out bobbin case holding the latch.
4. When installing the bobbin case, the pin on the case should fit into the gap of the shuttle race.



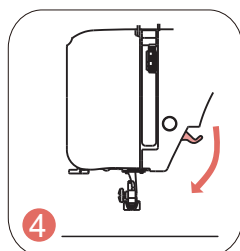
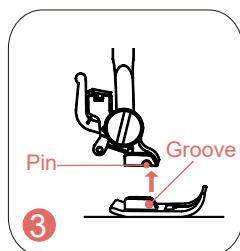
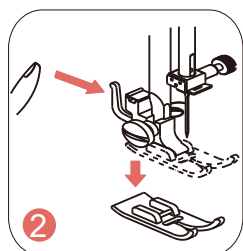
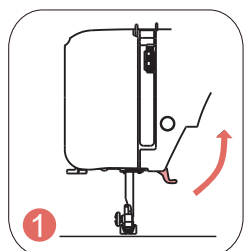
## Threading the bobbin case

1. Install the bobbin into bobbin case. Make sure the thread unwinds in the direction of arrow.
2. Pull the thread into the groove in the bobbin case slot.
3. Now pull the thread under the tension spring and into the delivery eye.
4. Leave about 10cm (4 inches) of the thread hanging out of the bobbin case. When you pull the thread, the bobbin should spin clockwise.



## Changing the presser foot

1. Turn the hand wheel toward you to raise the needle to its highest position.  
Raise the presser foot.
2. Press the lever on the back of the presser foot holder. The presser foot will drop off.
3. Place the presser foot so the pin on the foot lies just under the groove of the holder.
4. Lower the presser foot holder to lock the foot in place.



# KNOWING YOUR SEWING MACHINE

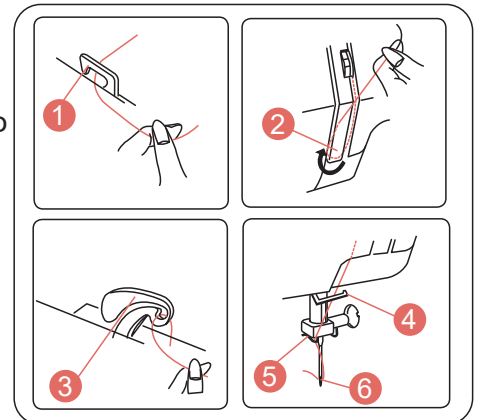
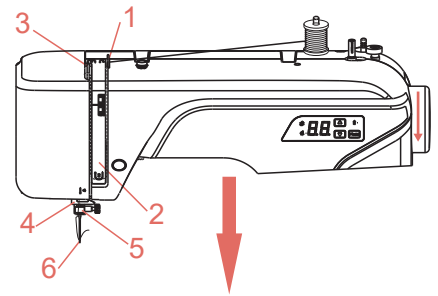
## Threading the machine

### Single needle

Raise take-up lever to its highest position by turning hand wheel toward you. Raise presser foot.

Place spool of thread on spool pin as shown, with thread coming from the back of the spool.

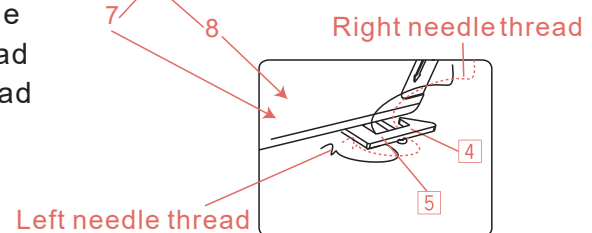
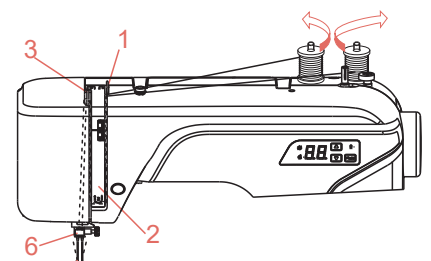
1. Feed the thread into the top thread guide.
2. Pull the thread down through the tension control and pull it around the tension control loop and upwards.
3. Slide the thread into the thread take-up lever from the right to the left.
4. Pull the thread downwards and pass it behind the lower thread guide.
5. Continue to pull the thread down and slide it into the needle bar thread guide.
6. Cut the thread end with sharp scissors for easier needle threading. Thread the needle, from the front to the back.
7. Pull the top and bobbin threads back to 15 cm (6 inches) below the presser foot.



### Twin needle

How to thread the twin needle:

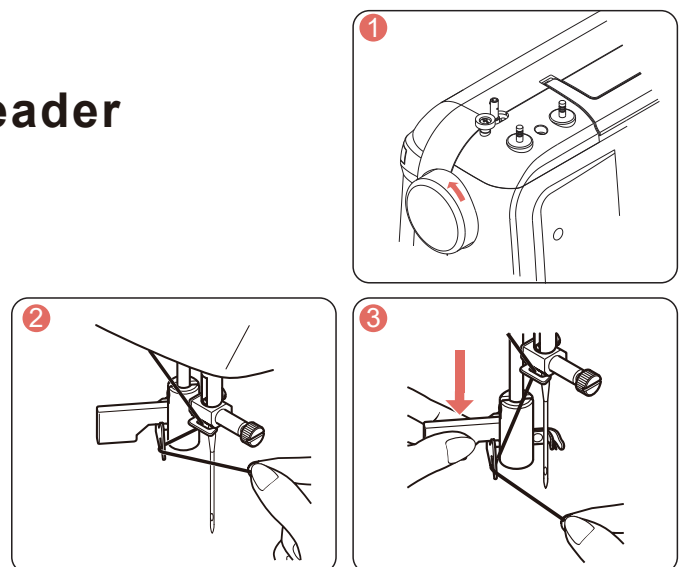
1. Be sure to thread the left needle thread firstly then thread the right needle thread. Put the thread spool on the spool pin, make sure that the left thread will run anti-clockwise, the right thread will run clockwise.
2. Thread the left needle according to the way of threading single needle from step one to step four, then fix the thread into the twin needle spring as point 5 in the right picture. Draw thread down and slip it into needle bar thread guide 6. Finally thread into the left needle eye from front to back.
3. Thread the right needle according to the way of threading single needle from step one to step seven.



## Using automatic needle threader

Raise the needle to its highest position by rotating the hand wheel towards you.

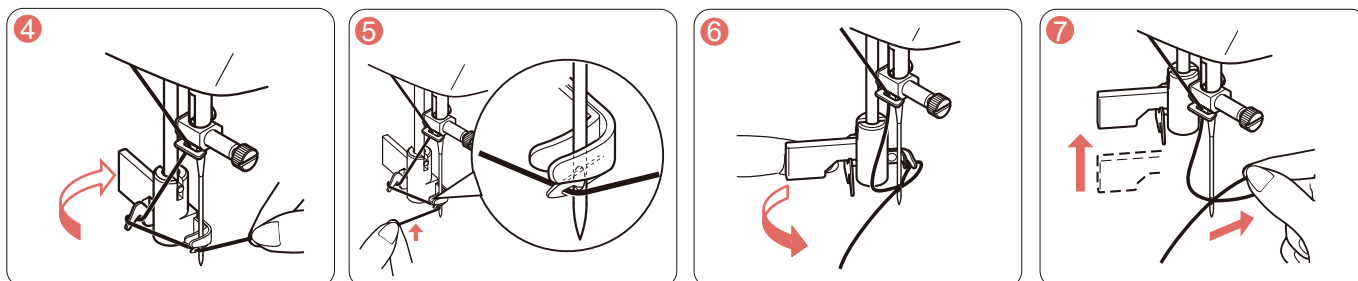
1. For smooth threading it is recommended you select straight stitching when using the needle threader.
2. Hook thread to thread guide as illustrated.
3. Pull down lever while holding the end of thread.



# KNOWING YOUR SEWING MACHINE

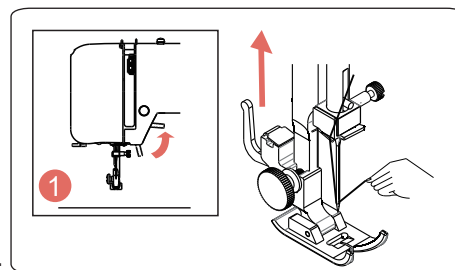
4. Rotate the lever to the rear of the machine.
5. Guide thread into hooked end and pull the thread upward.
6. Return the lever and needle will be threaded automatically.
7. Release the lever and pull thread away from you.

**NOTE: Automatic needle threader cannot be used for double needle.**

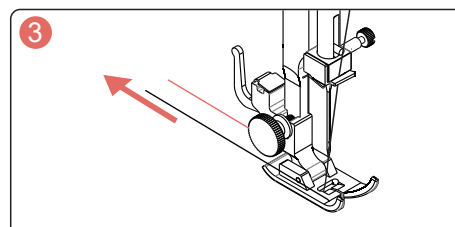
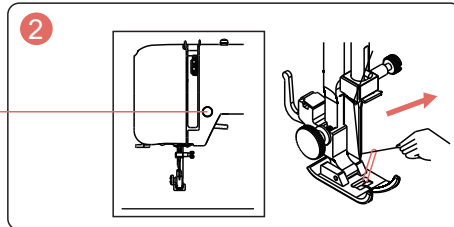


## Drawing up bobbin thread

1. Raise the presser foot and hold the needle thread lightly with your left hand.
2. Press the needle position button twice with your right hand. Lightly draw up the needle thread forming a loop of the bobbin thread.
3. Pull 15cm (6") of both thread back and under the presser foot.

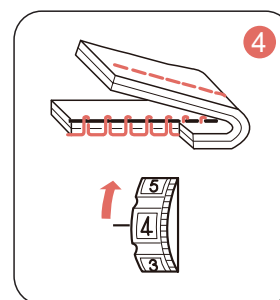
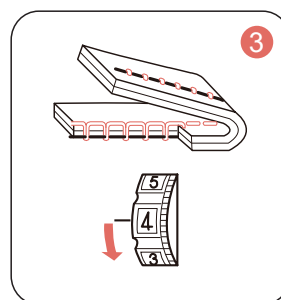
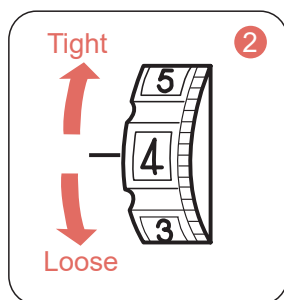
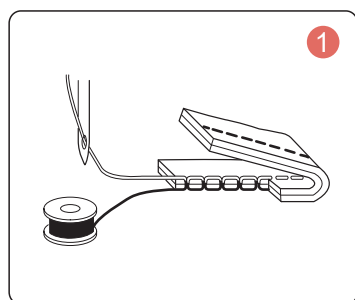


Needle position button



## Balancing top thread tension

1. The top thread and the bobbin thread should interlock in the center of two layers of fabric in straight seams.
2. Set the desired number of the thread tension dial at setting mark.
3. If the tension is too tight, loosen the needle thread tension by moving the dial to a lower number.
4. If the tension is too loose, tighten the needle thread tension by moving the dial to a higher number.



**NOTE: In order to obtain better zigzag stitches, the top thread tension should be slightly weaker than the bobbin thread tension. That means, the top thread should appear slightly on the reverse side of the fabric, but the bobbin thread cannot appear on the top side of the fabric.**

# KNOWING YOUR SEWING MACHINE

## Needle, thread and fabric chart

Your fabric will determine the choice of a needle and thread. The following table is a practical guide to needle and thread selection.

Always refer to it before a new sewing project. And be sure to use the same size and type of thread in the bobbin as in the top thread supply.

Type	Fabric	Threads	Needle size
Light Weight	Crepe de chine, Voile Lawn, Organdy, Georgette, Tricot.	Fine Silk. Fine Cotton. Fine Synthetic. Fine Cotton Covered Polyester.	9 or 11
Medium Weight	Linens, Cotton, Pique, Serge, Double knits, Percale.	50 silk. 50 ~ 80 cotton. 50 ~ 60 synthetic Cotton Covered Polyester.	11 or 14
Heavy Weight	Denim, Tweed, Gabardine, Coating, Drapery and Upholstery Fabric.	50 silk. 40 ~ 50 cotton. 40 ~ 50 synthetic Cotton Covered Polyester.	14 or 16



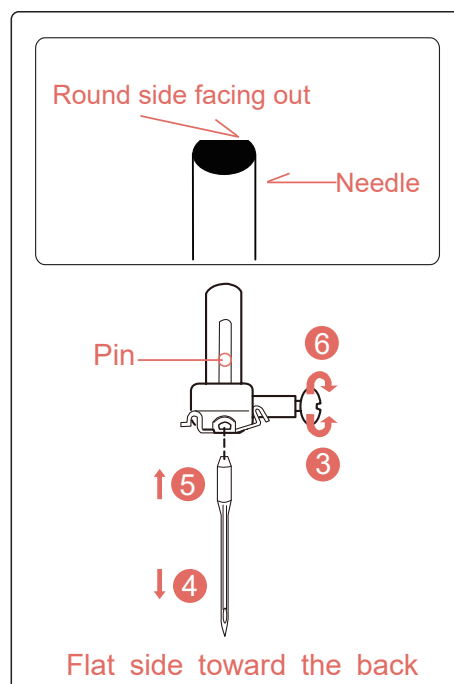
**CAUTION**

**Always disconnect the machine from power supply by removing the plug from the wall-outlet.**

## Changing the needle

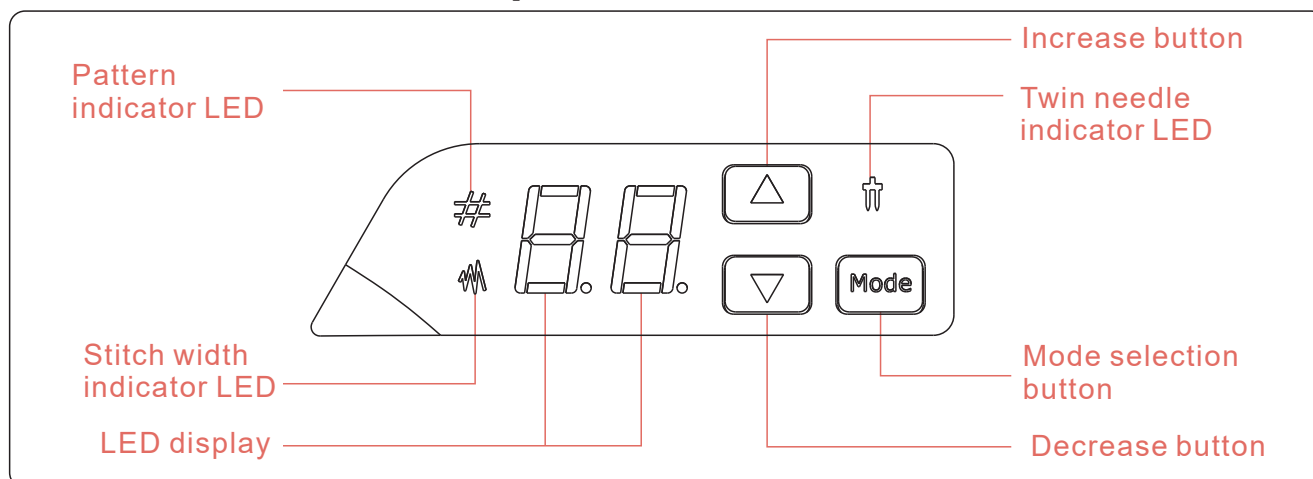
1. Placing a scrap of fabric under the presser foot and lowering the presser foot makes it easier to change the needle and will preclude dropping the needle into the needle plate slot.
2. Raise the needle bar to its highest position by turning the hand wheel toward you.
3. Loosen the needle clamp screw by turning it toward you.
4. Remove the needle by pulling it downward.
5. Install the new needle with the round side facing outward and the flat side facing inward.
6. Push the needle up as far as it can go.
7. Tighten the needle clamp screw with the screw driver.

**NOTE: Tighten snugly, but do not over tighten.**



# KNOWING YOUR SEWING MACHINE

## Functions of control panel



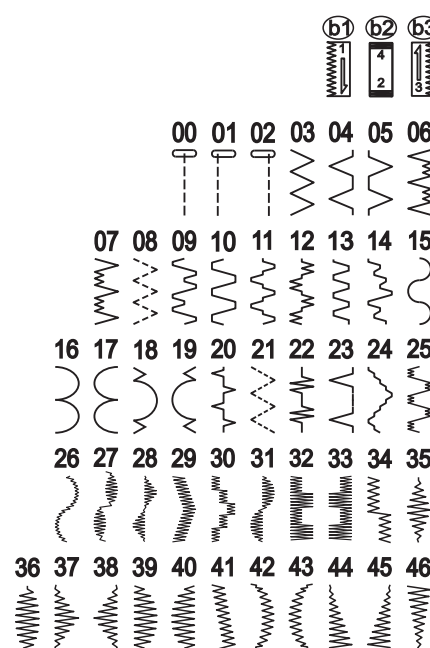
Each time you press MODE button, you can realize the following functions:

1. Pattern selection/stitch width mode.
2. Twin needle/ single needle mode.

### Pattern selection:

- 1). Turn on the sewing machine, the pattern indicator LED will be right on.
- 2). Press ▲ or ▼ button to increase or decrease the pattern number one by one.
- 3). Long press ▲ or ▼ button to increase or decrease the pattern number ten by ten.

**NOTE:** When the sewing machine is turned on, the “pattern mode indicator LED” will light on, and the LED display will show “00”, if the LED display is not show “00”, refer to page 12.



Pattern number reference guide

### Stitch width selection:

- 1). Press the MODE button once, the “stitch width mode indicator LED” will light on, and the pattern indicator LED will light off.  
Press the mode selection button again, the “stitch width mode indicator LED” will light off, and the pattern indicator LED will light on.
- 2). Press ▲ or ▼ button to increase or decrease the stitch width by 0.5mm.

### Twin needle selection:





Long press the MODE button, the “twin needle indicator LED” will light up.  
Long press this button again, the “twin needle mode indicator LED” will light off.

**NOTE:** If select the twin needle mode, before whatever pattern you select, press mode button to select twin needle mode. In this way, the stitch width can be automatically reduced to prevent the twin needle touching the needle plate. Otherwise the needle will be broken or the machine may be damaged.

# KNOWING YOUR SEWING MACHINE

## Helpful messages

If an incorrect operation is made, a helpful message will be displayed. When a helpful message is displayed, fix the problem following the instructions below.

The bobbin winder is moved to the right. → <i>Move bobbin winder to left when it is not used.</i>	
Presser foot is raise up. → <i>Put down the presser foot.</i>	
Machine is locked up due to thread entangled with bobbin case or rotation interrupted forcibly. → <i>Turn off power switch and eliminate the problem that caused the machine to stop.</i>	
The stitch length dial is on neutral position. → <i>Set the stitch length between range 0-4.</i>	

Audible signal	The buzzer sounds when
Pip	Normal operation
Pip-pip	Invalid operation
Pip-pip-pip	Invalid machine setting
Pip-pip-pip-pip-pip	The machine is jammed

# SEWING BASICS

## Sewing

Basic sewing operation are described below.

Before operating the sewing machine, reading the following precautions.

### CAUTION

1. When the machine is in operation, keep your hands away from all moving parts such as needle, hand wheel, etc. Otherwise injuries may occur.
2. Do not pull or push the fabric to hard when sewing, otherwise injuries may occur or the needle may break.
3. Do not use bent needles. Bent needles can easily break, possibly resulting injuries.




### Normal sewing steps

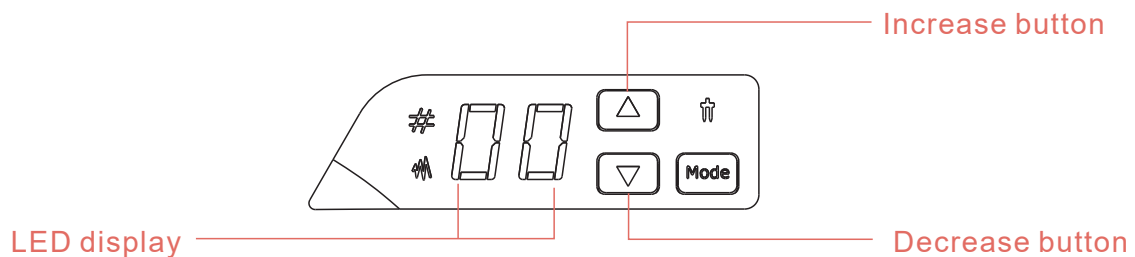
The basic sewing procedure is shown below.

1. Select needle. (Select suitable needle type according to different fabric, see page 9.)
2. Turn on the sewing machine. (See page 3.)
3. Select stitches. (Select suitable stitch for the sewing position, see page 13.)
4. Attach presser foot. (Attach suitable presser foot, see page 6.)
5. Start to sew. (Put on fabric, start to sew, see page 14.)

### Select stitch

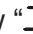
Press on increase /decrease button to select suitable stitch.

1. When the sewing machine is turned on, the set stitch is straight stitch , and the LED display will show "00".
2. Press  or  button to select stitch.
3. If necessary adjust the stitch length and width.



### CAUTION

When turn on sewing machine, there will be three possible conditions:

1. When the stitch length dial is on the position between "0-4", LED display will show "00", and you can select 47 utility stitches under this condition.
2. When the stitch length dial is on the position of Buttonhole stitch, LED display will show "b1 or b2 or b3", and you cannot select 47 utility stitches under this condition.
3. When the stitch length dial is on neutral position, LED display will show "--", under this condition the machine cannot work.
4. When the bobbin winder is moved to the right position, LED display will show "", under this condition the machine cannot work.

For detail information about each utility stitch, please refer to the following page.

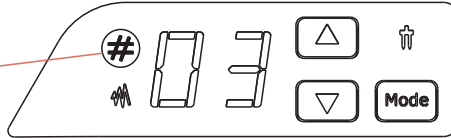
# SEWING BASICS

## Example

### Select stitch .

1. Press  to select stitch 03.

This indicating light is with red light on.




2. Stitch width adjusting.

- 1). Press MODE button to stitch width adjusting mode.

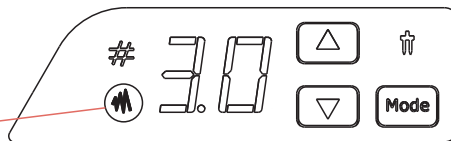
This indicating light is with green light on.



Mode selection button

- 2). Press  or  to adjust stitch width.

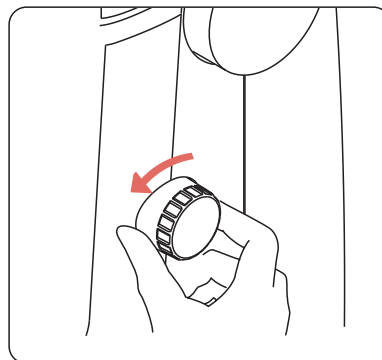
This indicating light is with red light on.



**Note: Under the stitch width adjusting mode, green light means default setting. Red light means custom setting.**

3. Stitch length adjusting.

Turn the dial toward you to set the stitch length. (Setting range: 0 to 4 mm.)



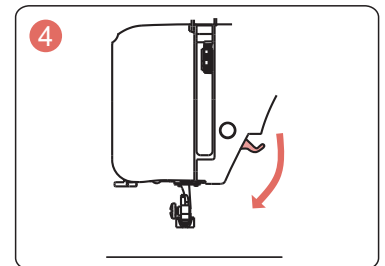
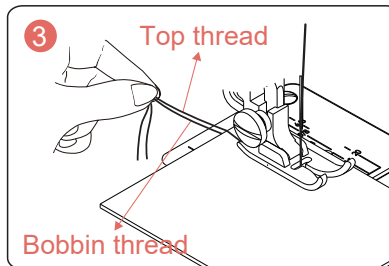
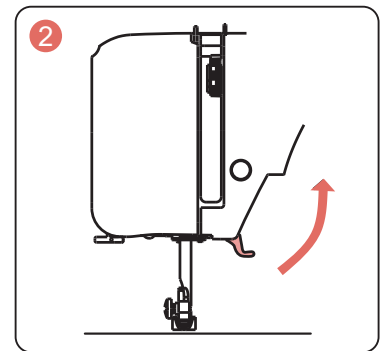
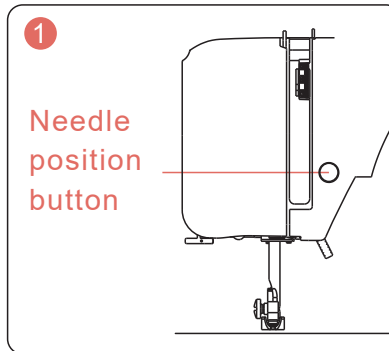
### CAUTION

1. After adjusting the stitch width, turn the hand wheel 2-3 circles towards you to check if the needle will touch the presser foot or not. If the needle can touch the presser foot, the needle will be bent or broken.
2. If the stitches are sewed together, please increase the stitch length before continuing to sew, otherwise will cause needle bent or broken.

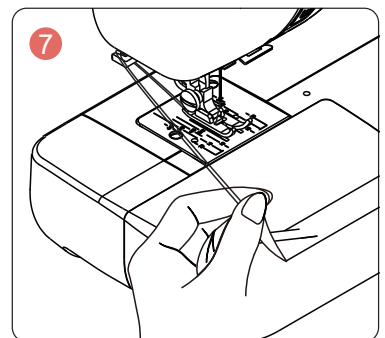
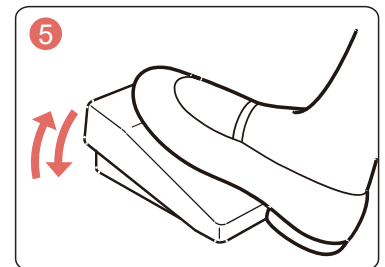
# SEWING BASICS

## Start sewing

1. Press the needle position button once or twice to ensure the needle is lifted.
2. Lift up the presser foot.
3. Feed the fabric under the presser foot. Pull the top thread and bobbin thread towards the back of the machine under the presser foot, until they are about 15cm (6") long.
4. Press 6-8 times of the Needle Position Button to fix the fabric. Lower the presser foot.



**Note: Do not press the button too fast, otherwise there will be alarm from machine.**



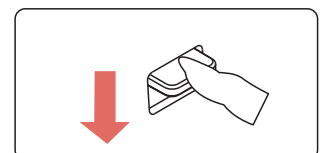
5. Press the foot controller carefully and start sewing.
6. When you have finished, remove your foot from the foot controller, then the sewing machine will stop.
7. Lift up the presser foot, pull the fabric and threads about 15cm backwards, then cut threads with the thread cutter from back to front.
8. Observe the finished fabric carefully to check the conditions of top thread and bobbin thread. If the bobbin thread appears on top side of fabric, please adjust the top thread tension (For detail of how to adjust the top thread tension, please refer to page 8).

## Reverse sewing

When press the reverse sewing lever, the machine will sew reversely (feed the fabric backwards).

**NOTE: Reverse sewing can only be used for straight stitches.**

Reverse stitch



# SEWING BASICS

## Useful sewing tips

Various ways to achieve better sewing results are described below. Refer to these tips when sewing.

### 1. Trial sewing

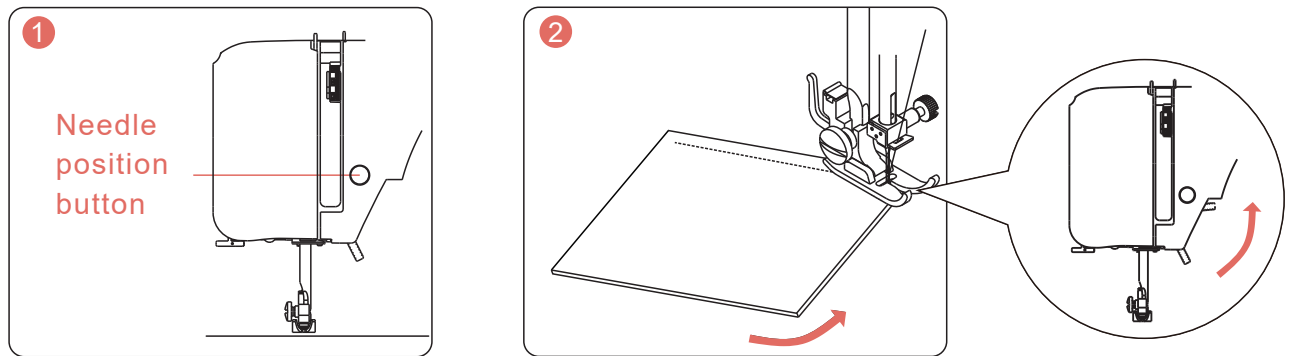
Use different stitch width and length for trial sewing. When you have finished, select the best looking stitch width and length for correct sewing.

For the trial sewing, use a piece of fabric and thread that are the same as those used for your project, and check the thread tension and stitch length and width. Since the results differ depending on the type of stitching and the number of fabric layers sewn, perform the trial sewing under the same conditions that will be used with your project.

### 2. Changing the sewing direction

When stitching reaches a corner, stop the sewing machine.

- 1). Leave the needle lowered in the fabric (under the needle plate) by pressing the needle position button.
- 2). Raise the presser foot lever, and then turn the fabric by using the needles as a pivot.
- 3). Lower the presser foot lever and continue sewing.



### 3. Sewing curves

- 1). Stop sewing, and then slightly change the sewing direction to sew around the curve.
- 2). When sewing along a curve while using a zigzag stitch, select a shorter length in order to obtain a finer stitch.

### 4. Sewing thick fabrics

**If the fabric does not fit under the presser foot**

Raise the presser foot even higher to bring the presser foot to its highest position. Then feed the fabric under the presser foot. (See page 4 to Raise the presser foot.)

### 5. Sewing elastic fabric or the fabric that is easy to cause skipping stitches

Use round head needle and bigger stitch length. If necessary, add one layer of lining cloth under the fabric for better sewing.

### 6. Sewing thin fabric or silk

When sewing thin fabric or silk, the stitch may depart from correct direction or cannot feed the fabric correctly. If so, add one layer of lining cloth under the fabric for better sewing.

### 7. Sewing stretch fabrics

First, baste the piece of fabric together, and then sew without stretching the fabric.




### 8. Free arm sewing

When sewing tube fabric or the part cannot reach, use the free arm sewing function (For detail, refer to page 4).

# UTILITY STITCHES

## Straight stitch

Straight stitch is used for sewing plain seams. Three stitches are available for basic stitching.

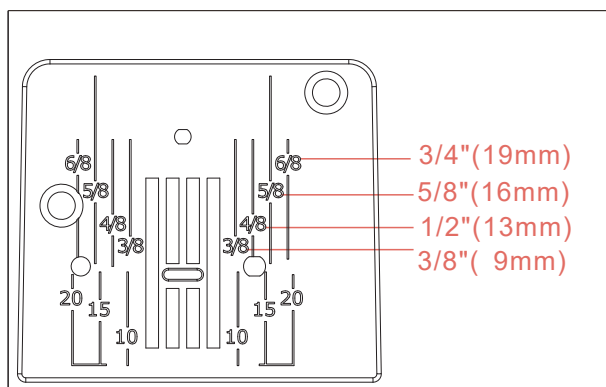
Stitch name	Stitch	Stitch No.	Presser foot	Stitch width (mm)		Stitch length (mm)		
				Recommended	Adjustable range	Recommended	Adjustable range	
Straight stitch	L		01	Zigzag foot	0.0	0.0-5.0	2.5	1-4
	M		00		2.5	0.0-5.0	2.5	1-4
	R		02		5.0	0.0-5.0	2.5	1-4

## Sewing

1. Baste or pin together the fabric pieces.
2. Select presser foot and attach it to the machine (For detail, refer to page 6).
3. Select stitch number. If necessary, adjust the stitch length or stitch width (For detail, refer to page 12).
4. Start sewing. (For detail, refer to page 14)
5. Finish sewing.



## Keep seams straight

To keep the seam straight, use one of the numbered guide lines on the needle plate. The numbers indicate distance from the needle at its center position.

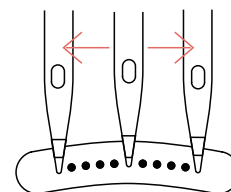


## Change the needle position

There is no stitch width for straight stitch, so the straight stitch width in above table means needle position. Needle position can be adjusted.

Under the Stitch Width Adjusting Mode, press  or  to adjust the needle position.

**Note:** For detail information of how to adjust stitch width, please refer to page 13.






Can be adjusted to anyone of 11 different positions

# UTILITY STITCHES

## Zigzag stitch/overcasting stitch

Use overcasting stitch to join fabrics and can finished once.  
It is also useful for stretch fabrics.

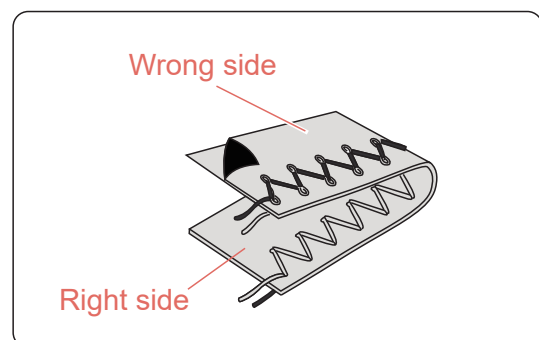
Stitch name	Stitch	Stitch No.	Presser foot	Stitch width (mm)		Stitch length (mm)	
				Recommended	Adjustable range	Recommended	Adjustable range
Zigzag stitch		03	Zigzag foot	5.0	0.0-5.0	1	0.5-4
Three-point zigzag stitch		08		4.5	1.5-4.5	0.5	0.5-4
Overcasting stitch		05		5.0	1.0-5.0	1	0.5-4

### Sewing

1. Select a presser foot and attach it to the machine (For detail, refer to page 6).
2. Select stitch number. If necessary, adjust stitch length or width (For detail, refer to page 12).
3. Start sewing (For detail, refer to page 14).
4. Finish sewing.

### Warm tip:



**Due to different types of threads, fabrics, stitch patterns, and sewing speed, top thread will appear on wrong side of fabric. But the bobbin thread will not appear on right side of fabric. If the bobbin thread appear on right side of fabric or the fabric is wrinkled, decrease top thread tension a little by turning the thread tension dial (For detail, refer to page 8).**



# UTILITY STITCHES

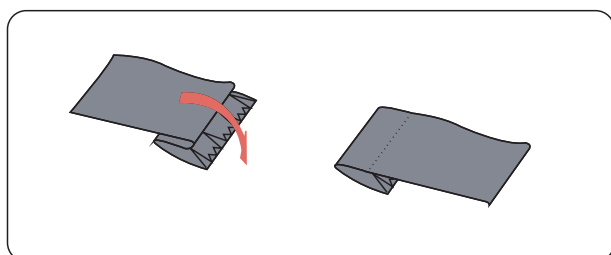
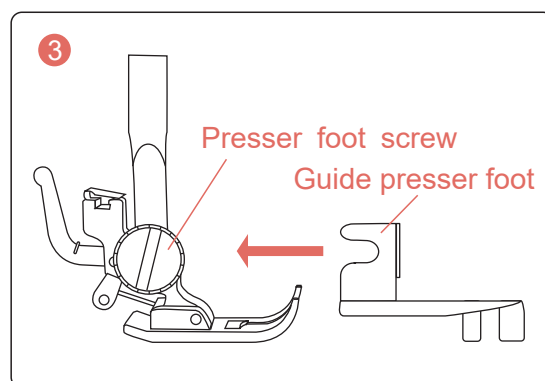
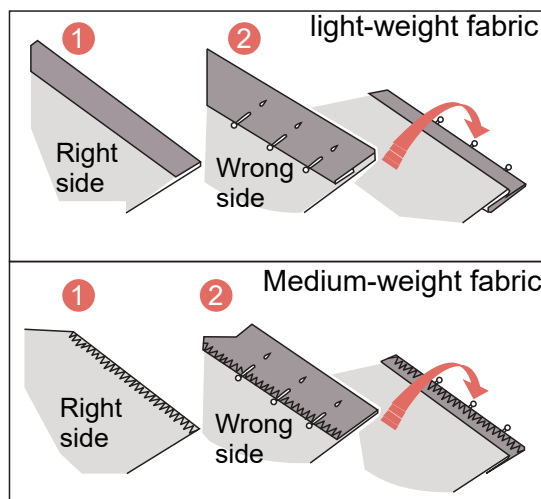
## Blind hem stitch

Use blind hem stitch to hem clothes' edges, such as edges of trousers, and not reveal any stitch.

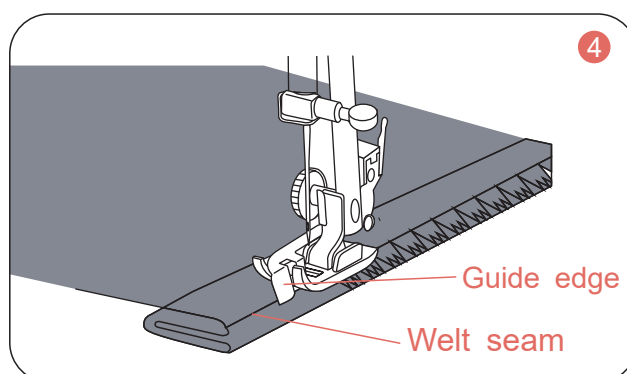
Stitch name	Stitch	Stitch No.	Presser foot	Stitch width (mm)		Stitch length (mm)	
				Recommended	Adjustable range	Recommended	Adjustable range
Blind hem stitch		04	Zigzag foot + Hem guide foot	5.0	1.0-5.0	1	1-4
		04		5.0	2.0-5.0	2.5	2-4

### Sewing

1. First, finish the raw edge. Do this by turning it under on fine fabrics or overcasting it on medium to heavyweight fabrics. Then turn the hem up to the required depth, press and pin in place.
2. Now fold the fabric as illustrated with the wrong side facing up.
3. Attach the hem guide foot.
  - 1). Loose the presser foot screw, and put in the hem guide foot.
  - 2). Ensure the guide edge of the hem guide foot to be in the middle of the presser foot.
  - 3). Tighten the presser foot screw.
4. Position the fabric with the edge of the folded hem against the guide of the presser foot, and then lower the presser foot lever.
5. Start sewing (For detail, refer to page 14).
6. Finish sewing.




Turn the fabric to right, there will be almost no stitch appeared on right side of fabric.



# UTILITY STITCHES

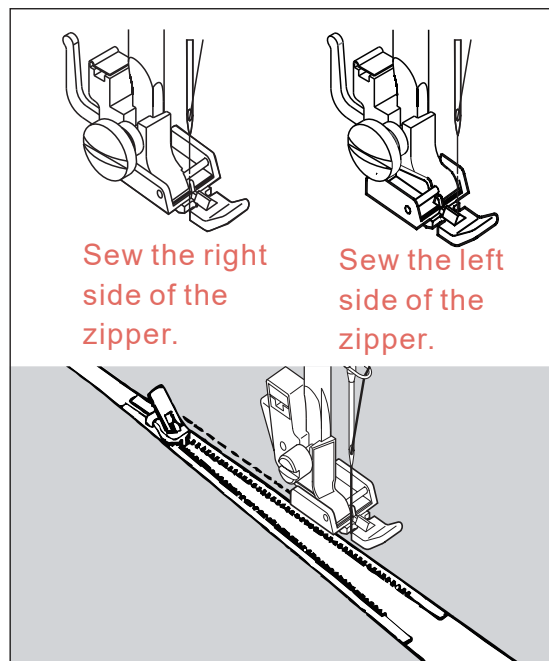
## Zipper insertion

Zipper foot can be used for sewing all types of zippers, and it is easy to sew to the left or right of the zipper.

Stitch name	Stitch	Stitch No.	Presser foot	Stitch width (mm)		Stitch length (mm)	
				Recommended	Adjustable range	Recommended	Adjustable range
Straight stitch		00	Zipper foot	2.5	N/A	2.5	1-4

### Sewing

1. Select stitch (For detail, refer to page 12).
2. Attach the zipper foot (For detail refer to page 6).  
When sewing the right side of the zipper, attach the zipper foot as the illustration in right.  
When sewing the left side of the zipper, attach the zipper foot as the illustration in right.
3. Start sewing (For detail, refer to page 14).
4. Finish sewing.




#### Helpful hint:

**During zipper inserting, ensure that the needle do not touch the zipper. Otherwise it will cause needle break or even injury.**

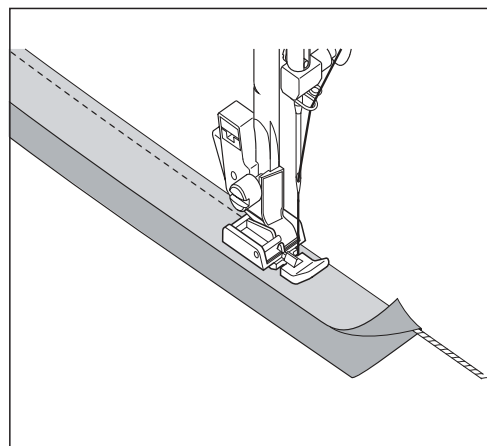
## PIPING

To pipe soft furnishings, cover cord with a bias strip of fabric and pin or tack it to the main piece of fabric.

Stitch name	Stitch	Stitch No.	Presser foot	Stitch width (mm)		Stitch length (mm)	
				Recommended	Adjustable range	Recommended	Adjustable range
Straight stitch		00	Zipper foot	2.5	No	2.5	1-4

### Sewing

1. Select stitch (For detail, refer to page 12).
2. Change the zipper foot (For detail refer to page 6).  
Attach right side of zipper foot to foot holder so that needle passes through the opening on the right side of the foot.
3. Start sewing (For detail, refer to page 14).
4. Finish sewing.




#### Helpful tips:

**Use the stitch width adjusting function to adjust the needle position to be more close to the pipe.**

# UTILITY STITCHES

## Button sewing

Buttons with 2 or 4 holes can be sew.

Stitch name	Stitch	Stitch No.	Presser foot	Stitch width (mm)		Stitch length (mm)	
				Recommended	Adjustable range	Recommended	Adjustable range
Zigzag stitch		03	Zigzag foot + Embroidery plate	Button of the distance between two holes	0.0-5.0	0	0

### Sewing

1. Drop the feed dog (Refer to page 5).

**NOTE: After you finish sewing, set the drop feed lever to the original position.**

2. Place the button between the presser foot and the fabric.

**NOTE: When sewing four-hole button, first sew the two holes closest to you. Then, slide the button so that the needle goes into the two holes toward the rear of the sewing machine, and then sew them in the same ways.**

3. Select 3 of the stitches (the zigzag stitch is usually used for sewing buttons)

4. Adjust the stitch length by turning the stitch length dial to "0".

5. Adjust the stitch width; ensure the needle correctly goes into the left and right hole of the button.

**NOTE: Turn the handwheel toward you (counterclockwise) to check that the needle correctly goes into the left and right hole of the button.**

6. Start sewing (For detail, refer to page 14).

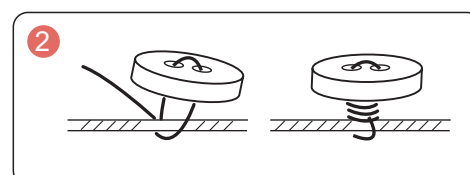
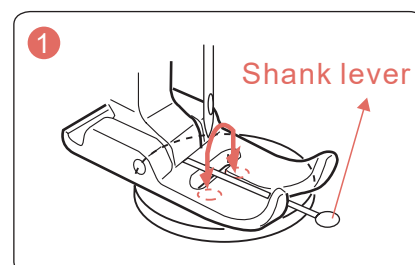
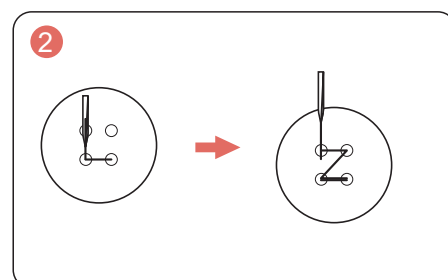
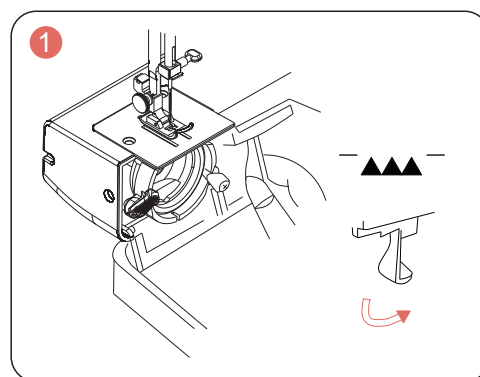
7. Finish sewing.

8. Please raise Feed dogs if you're not button sewing

### Button sewing tips

1. Attach a shank lever on the presser foot to help sewing.




2. To secure thread, cut the upper thread with 25cm of excess, wind it around the thread between the button and the fabric, and then tie it tightly.



# UTILITY STITCHES

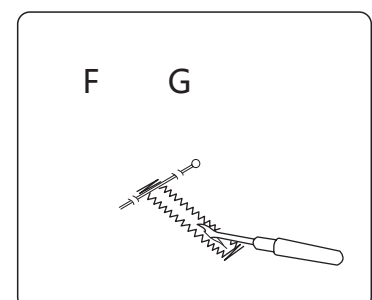
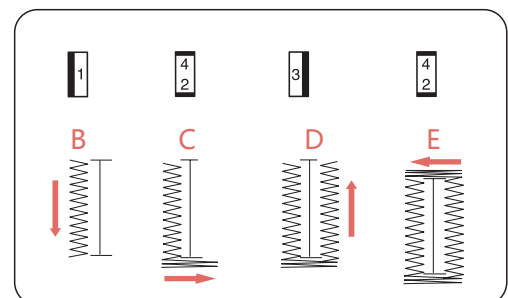
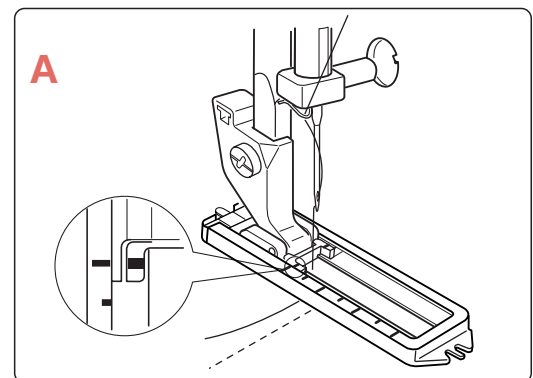
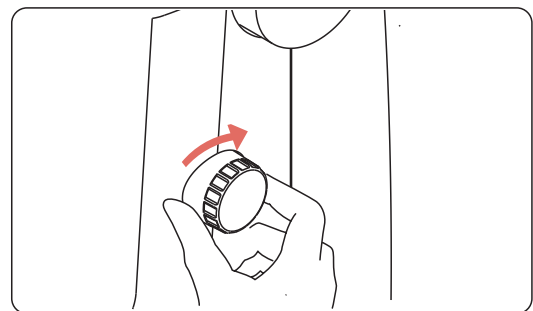
## Buttonhole sewing

Use buttonhole foot can sewing buttonholes.

Stitch name	Stitch	Stitch No.	Presser foot	Stitch width (mm)		Stitch length (mm)	
				Recommended	Adjustable range	Recommended	Adjustable range
Buttonhole stitch		b1	Buttonhole foot	-	-	-	-
		b2		-	-	-	-
		b3		-	-	-	-

### Sewing

1. Attach the buttonhole presser foot. (Refer to page 6.)
2. Start sewing.
  - A. Turn the stitch length dial to b1, pull the top thread and the bobbin thread to the left under the foot.
  - B. Lower the needle at the starting point. Then lower buttonhole foot. Sew the needed length on the left side of buttonhole and stop the machine.
  - C. Turn the stitch length dial to b2, sew 5-7 of the bartack stitches, then stop.
  - D. Turn the stitch length dial to b3, sew the right side of buttonhole the same length as the left side and stop the machine.
  - E. Turn the stitch length dial to b2, sew 5-7 of the bartack stitches, then stop.
  - F. Raise the presser foot and draw out the fabric, cut both top thread and bobbin thread leaving about 10cm of thread ends, and tie it on the wrong side of the fabric.
  - G. Cut open the buttonhole with seam ripper.
3. Finish stitching.




#### Helpful hint:

1. Before buttonhole stitching, trial sewing on other cloth.
2. For thin fabric, add lining paper under the fabric.
3. Do not sew buttonhole on elastic fabric.
4. Please increase the density of the buttonhole by repeating on the same area.  
Sewing over the first buttonhole will give you a more rigid buttonhole.

# UTILITY STITCHES

## Free seam

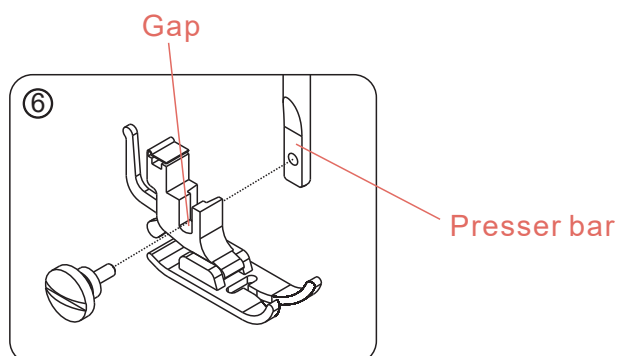
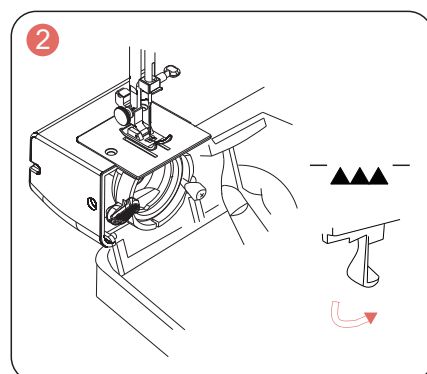
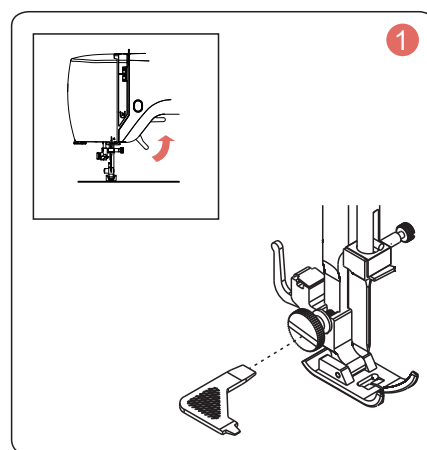
Can sewing free-motion stitch with customer's own style.

Stitch name	Stitch	Stitch No.	Presser foot	Stitch width (mm)		Stitch length (mm)	
				Recommended	Adjustable range	Recommended	Adjustable range
Straight stitch		00	Zigzag foot + Embroidery plate	2.5	0.0-5.0	0	0

### Sewing

1. Detaching the presser foot holder.
    - a. Raise the presser foot lifter.
    - b. Loosen the presser foot screw by turning it counterclockwise by using multi-function screwdriver, the presser foot holder will auto drop down.
    - c. Remove the presser foot holder and the screw into the accessories box to prevent lose.
  2. Drop the feed dog (Refer to page 5) .
- NOTE: After you finish sewing, set the drop feed lever to the original position.**
3. Select stitch (For detail, refer to page 12).
  4. Start sewing (For detail, refer to page 14).
  5. Finish sewing.
  6. Attach the presser foot holder.
 










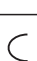
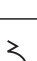
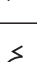


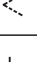
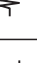


Raise the presser foot lifter, align the gap in the foot holder with the presser bar, Tighten the screw by turning it clockwise.



# UTILITY STITCHES

## Decorative stitch












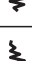





Can sew all kinds of decorative stitch as follow.

Stitch name	Stitch	Stitch No.	Presser foot	Stitch width (mm)		Stitch length (mm)	
				Recommended	Adjustable range	Recommended	Adjustable range
Decorative stitch (thin)		07	Zigzag foot	5.0	2.0-5.0	0.5	0.5-4
		09		5.0	1.0-5.0	0.5	0.5-4
		10		5.0	1.0-5.0	0.5	0.5-4
		11		5.0	1.0-5.0	0.5	0.5-4
		12		5.0	1.0-5.0	0.5	0.5-4
		13		2.5	1.0-5.0	0.5	0.5-4
		14		5.0	3.0-5.0	0.5	0.5-4
		15		5.0	2.0-5.0	0.5	0.5-4
		16		5.0	3.0-5.0	0.5	0.5-4
		17		5.0	3.0-5.0	0.5	0.5-4
		18		5.0	3.0-5.0	0.5	0.5-4
		19		5.0	3.0-5.0	0.5	0.5-4
		20		5.0	1.0-5.0	0.5	0.5-4
		21		5.0	3.0-5.0	0.5	0.5-4
		22		5.0	1.0-5.0	0.5	0.5-4
		23		5.0	1.0-5.0	0.5	0.5-4
	24	5.0	3.0-5.0	0.5	0.5-4		
	25	5.0	3.0-5.0	0.5	0.5-4		

# UTILITY STITCHES

## Decorative stitch





Can sew all kinds of decorative stitch as follow.

Stitch name	Stitch	Stitch No.	Presser foot	Stitch width (mm)		Stitch length (mm)	
				Recommended	Adjustable range	Recommended	Adjustable range
Decorative stitch (thick)		26	Zigzag foot	5.0	3.0-5.0	0.5	0.5-4
		27		5.0	3.0-5.0	0.5	0.5-4
		28		5.0	2.5-5.0	0.5	0.5-4
		29		5.0	2.5-5.0	0.5	0.5-4
		30		5.0	3.0-5.0	0.5	0.5-4
		31		5.0	3.0-5.0	0.5	0.5-4
		32		5.0	1.0-5.0	0.5	0.5-4
		33		5.0	1.0-5.0	0.5	0.5-4
		34		5.0	1.0-5.0	0.5	0.5-4
		35		5.0	2.5-5.0	0.5	0.5-4
		36		5.0	3.0-5.0	0.5	0.5-4
		37		5.0	2.5-5.0	0.5	0.5-4
		38		5.0	2.5-5.0	0.5	0.5-4
		39		5.0	3.0-5.0	0.5	0.5-4
		40		5.0	3.0-5.0	0.5	0.5-4
		41		5.0	2.5-5.0	0.5	0.5-4
		42		5.0	3.0-5.0	0.5	0.5-4

# UTILITY STITCHES

## Decorative stitch

Can sew all kinds of decorative stitch as follow.

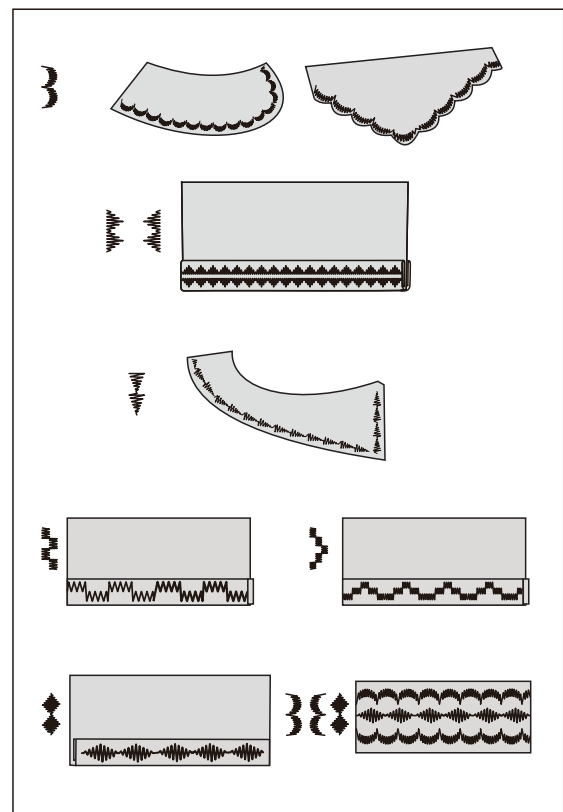
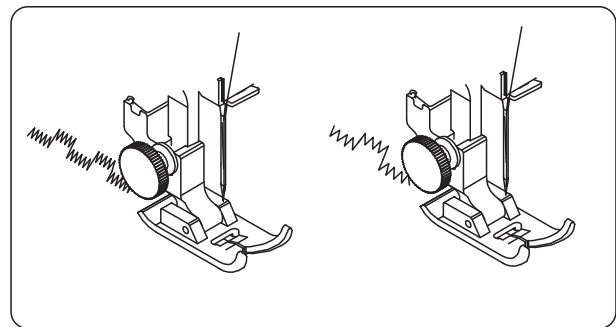
Stitch name	Stitch	Stitch No.	Presser foot	Stitch width (mm)		Stitch length (mm)	
				Recommended	Adjustable range	Recommended	Adjustable range
Decorative stitch (thick)		43	Zigzag foot	5.0	3.0-5.0	0.5	0.5-4
		44		5.0	2.5-5.0	0.5	0.5-4
		45		5.0	2.5-5.0	0.5	0.5-4
		46		5.0	3.0-5.0	0.5	0.5-4

### Sewing

1. Select stitch (For detail, refer to page 12).
2. Start sewing (For detail, refer to page 14).
3. Finish sewing.

#### Helpful hint:

When sewing, do not feed the fabric too fast, and adjust suitable top and bobbin thread tension, so that the top thread can go down to the wrong side of the fabric.

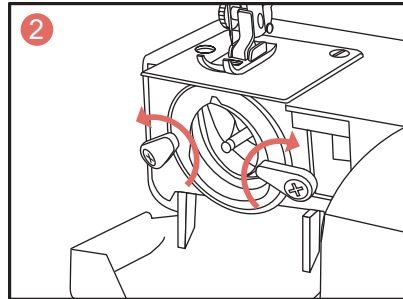
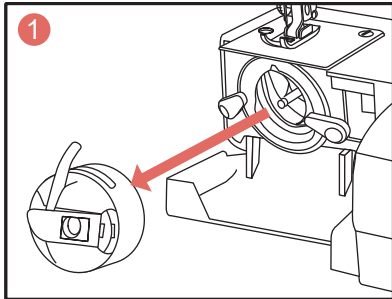


# CARING FOR YOUR MACHINE

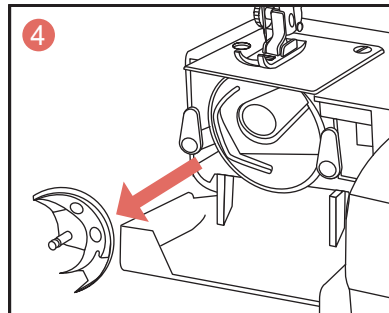
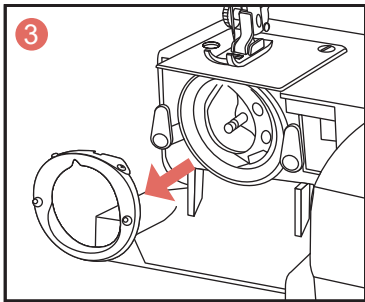
## Dismantling and assembling shuttle race

### To dismantle and oil the shuttle race

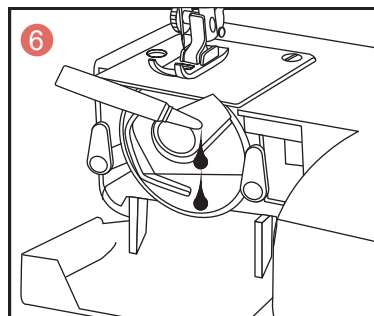
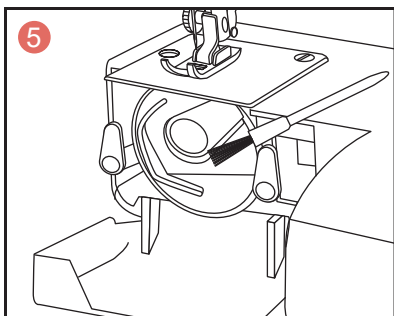
Raise the needle to its highest position and open the shuttle cover.



1. Open the hinged latch of the bobbin case and take it out of the machine.
2. Open the shuttle race cover holders. Be careful not to loosen it too much, or the screws will fall out and become difficult to install.



3. Remove the shuttle race cover.
4. Remove the shuttle.



5. Clean the shuttle race with a brush and soft dry cloth.
6. Before assembling the shuttle race, oil the shuttle race using a few drops of fine quality sewing machine oil.

#### Note:

1. Use oil sparingly as over oiling will cause it to leak onto your fabric.
2. In case the machine does not work smoothly due to standing idle for some time, apply a few drops of kerosene at the oiling point, and turn the machine rapidly for a minute.
3. When the machine is does working 4-8 hours or there is abnormal noise, apply 2-3 drops of sewing machine oil at the oiling point.

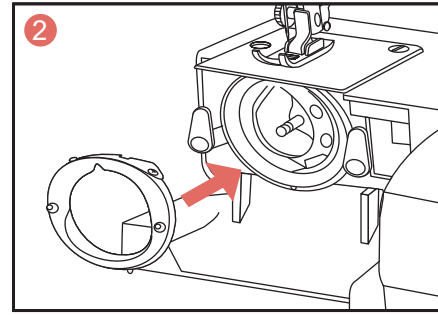
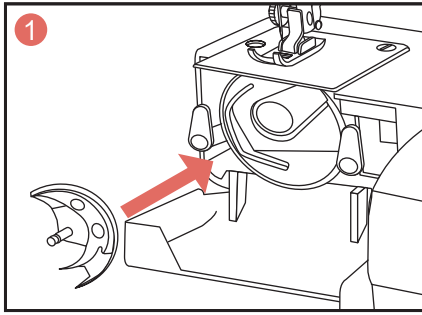


**CAUTION**

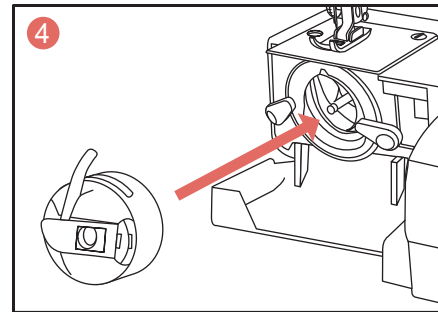
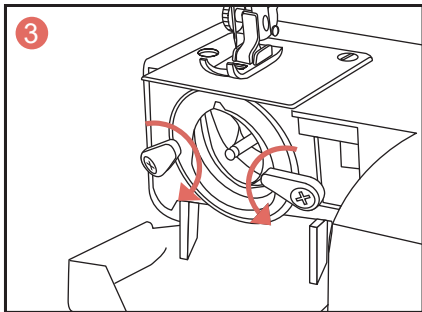
Be sure to disconnect the power supply before operating the machine.

# CARING FOR YOUR MACHINE

## To assemble the shuttle race

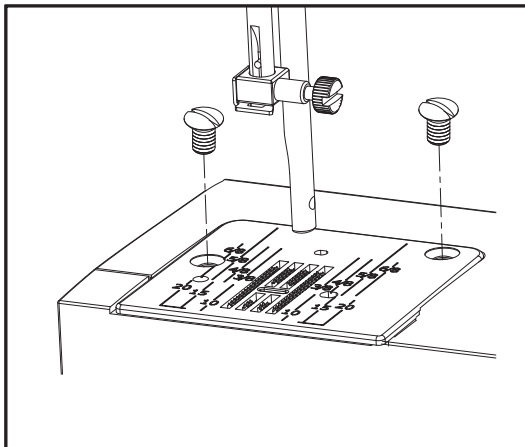


1. Hold the Shuttle by the center pin and fit it carefully back into the shuttle race, forming a perfect circle with the shuttle driver.
2. Attach the shuttle race cover making sure that the bottom pin fits into the notch.

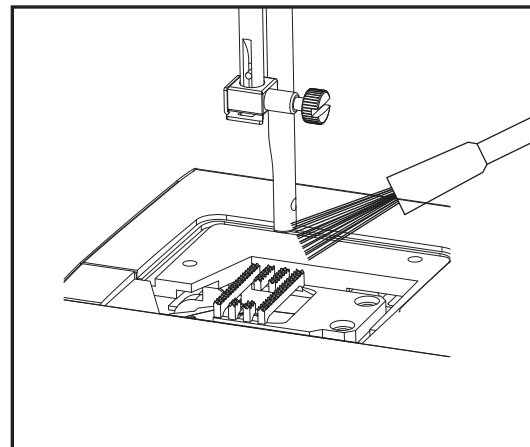


3. Lock the shuttle race cover holders by turning the holders back into position.
4. Insert the bobbin case.

## Cleaning the feed dogs



Remove the needle and the presser foot. Remove the needle plate set screws and remove the needle plate.



With a brush, clean out dust and lint clogging on the feed dog teeth. Reset the needle plate.



**CAUTION**

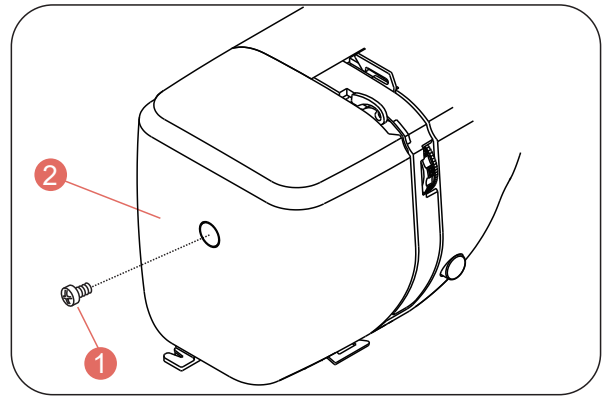
**Be sure to disconnect the power supply before operating the machine.**

# CARING FOR YOUR MACHINE

## Oiling the needle bar

### Remove the face cover

1. Face cover screw
2. Face cover

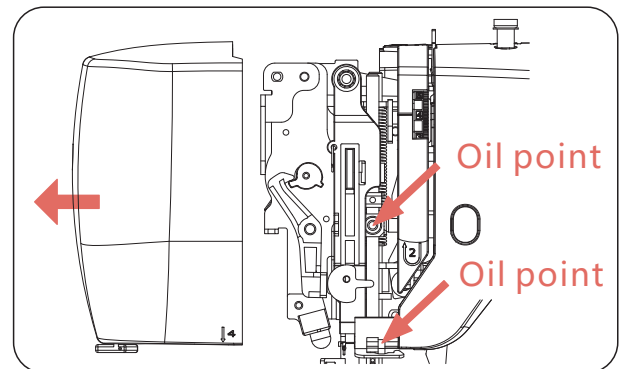


Apply a few drops of fine quality sewing machine oil to the point indicated by the arrows in the figures.

For machine in constant use, oil two or three times a year.

In case the machine does not work smoothly due to standing idle for some time, apply a few drops of kerosene at the oiling point, and turn the machine rapidly for a minute.

Before oiling, wipe off oiling points.



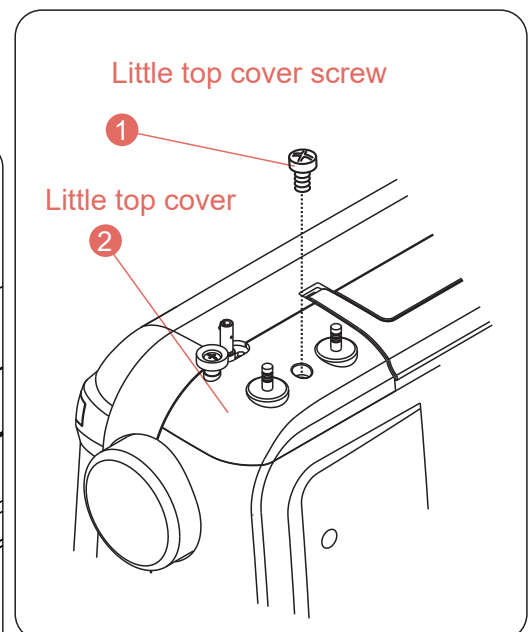
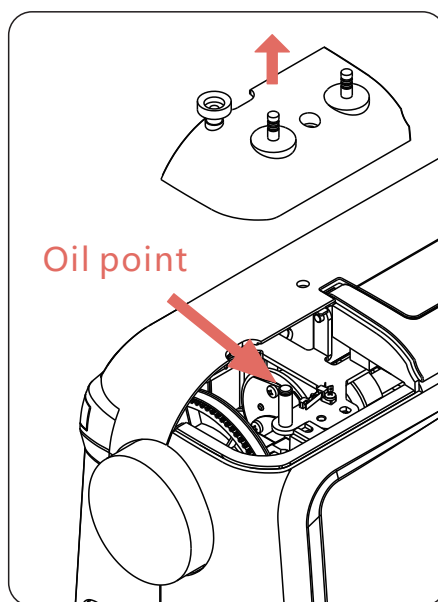
## Oiling the connecting rod

1. Loosen the little top cover screw used the screwdriver.
2. Remove the little top cover.

Apply a few drops of fine quality sewing machine oil to the point indicated by the arrows in the figures.

For machine in constant use, oil two or three times a year.

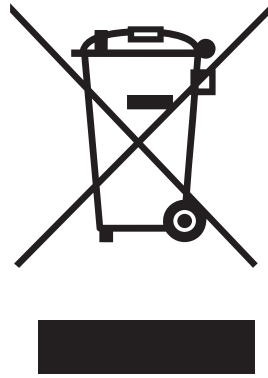
When there is abnormal noise, apply a few drops of sewing machine oil at the oiling point.



**Be sure to disconnect the power supply before operating the machine.**

# TROUBLESHOOTING

Troble	Causes	Soultion
Top thread broken	<ol style="list-style-type: none"> <li>1. Improper top threading.</li> <li>2. Excessively tight top tension.</li> <li>3. Blunt or bend needle.</li> <li>4. Improper fixing of needle.</li> <li>5. At start of sewing, top thread and bottom thread are not correctly fixed beneath the presser.</li> <li>6. The thread is unsuitable</li> </ol>	<ol style="list-style-type: none"> <li>1. Threading the top thread again. (Refer to page 7.)</li> <li>2. Adjust the top tension. (Refer to page 8.)</li> <li>3. Replace the needle. (Refer to page 9.)</li> <li>4. Reinstall the needle. (Refer to page 9.)</li> <li>5. Proper operation. (Refer to page 8.)</li> <li>6. Replace the proper thread. (Refer to page 9.)</li> </ol>
Bobbin thread broken	<ol style="list-style-type: none"> <li>1. The bobbin thread is not correctly threaded into bobbin case.</li> <li>2. Cotton flock collected on shuttle race.</li> <li>3. The bobbin is damaged and impossible to smoothly rotate.</li> </ol>	<ol style="list-style-type: none"> <li>1. Thread the bobbin thread again. (Refer to page 6.)</li> <li>2. Clean the shuttle race. (Refer to page 26.)</li> <li>3. Replace the bobbin. (Refer to page 6.)</li> </ol>
Needle broken	<ol style="list-style-type: none"> <li>1. Improper fixing of needle.</li> <li>2. Blunt or bend needle.</li> <li>3. The needle clamp screw is loosening.</li> <li>4. Excessively tight top tension.</li> <li>5. Too thin needle.</li> </ol>	<ol style="list-style-type: none"> <li>1. Reinstall the needle. (Refer to page 9.)</li> <li>2. Replace the needle. (Refer to page 9.)</li> <li>3. Tight the needle clamp screw.</li> <li>4. Adjust the top tension. (Refer to page 8.)</li> <li>5. Replace the proper needle. (Refer to page 9.)</li> </ol>
Skipping stitches	<ol style="list-style-type: none"> <li>1. Improper fixing of needle.</li> <li>2. Blunt or bend needle.</li> <li>3. The needle and (or) thread is unsuitable for the used fabric.</li> <li>4. Improper top threading.</li> <li>5. The needle is unsuitable.</li> </ol>	<ol style="list-style-type: none"> <li>1. Reinstall the needle. (Refer to page 9.)</li> <li>2. Replace the needle. (Refer to page 9.)</li> <li>3. Replace the proper needle and thread. (Refer to page 9.)</li> <li>4. Threading the top thread again. (Refer to page 7.)</li> <li>5. Replace the proper needle. (Refer to page 9.)</li> </ol>
Seam puckering	<ol style="list-style-type: none"> <li>1. Excessively tight top tension.</li> <li>2. Improper top threading.</li> <li>3. Excessively thick top thread for the used fabric.</li> </ol>	<ol style="list-style-type: none"> <li>1. Adjust the top tension. (Refer to page 8.)</li> <li>2. Threading the top thread again. (Refer to page 7.)</li> <li>3. Replace the proper thread. (Refer to page 9.)</li> </ol>
Unsmooth feed	<ol style="list-style-type: none"> <li>1. Feed dog is wound by thread.</li> <li>2. Thread jams.</li> </ol>	<ol style="list-style-type: none"> <li>1. Clean the feed dog. (Refer to page 27.)</li> <li>2. Clean the clamping thread.</li> </ol>
Not run of machine	<ol style="list-style-type: none"> <li>1. Not surely inserting power plug.</li> <li>2. Clamping thread at shuttle race.</li> <li>3. Failure to replace the bobbin winder shaft at original position after winding bobbin.</li> </ol>	<ol style="list-style-type: none"> <li>1. Check the power connector. (Refer to page 3.)</li> <li>2. Clean the clamping thread.</li> <li>3. Push the bobbin winder shaft to original position. (Refer to page 5.)</li> </ol>
Thread jaming	<ol style="list-style-type: none"> <li>1. The presser foot lifter is not lower down when sewing.</li> <li>2. Improper top threading.</li> <li>3. Improper bobbin threading.</li> </ol>	<ol style="list-style-type: none"> <li>1. Lower down the presser foot lifter. (Refer to page 4.)</li> <li>2. Threading the top thread again. (Refer to page 7.)</li> <li>3. Threading the bobbin thread again. (Refer to page 6.)</li> </ol>



Meaning of crossed - out wheeled dustbin:

Do not dispose of electrical appliances as unsorted municipal waste, use separate collection facilities.

Contact you local government for information regarding the collection systems available.

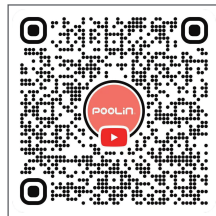
If electrical appliances are disposed of in landfills or dumps, hazardous substances can leak into the groundwater and get into the food chain, damaging your health and well-being.

When replacing old appliances with new ones, the retailer is legally obligated to take back your old appliances for disposals at least free of charge.

## More Stitch More Love



Facebook



YouTube



Whatsapp

