

Multirain Jet Control

Multirain Jet Control 4



Technical data

Pump:

Material: completely corrosion solid materials
 Impeller type: multiple closed impellers
 Connection: 1" inside thread
 Max. liquid temperature: 40 °C
 Weight: ± 13 kg

Motor:

Tension: 230 v, 50 Hz
 Power: 0,75 kW
 Maximum current: 5,2 A
 RPM: 2850 rpm
 Protection class: IP55
 Insulation class: F

Built-in automatic thermal protection (monophase only)



Applications:

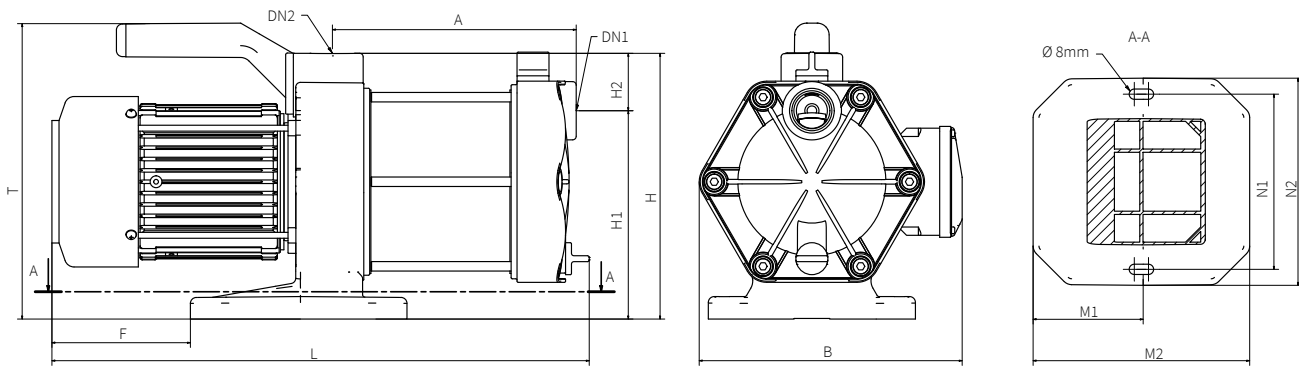
Rain water reuse

Clean water



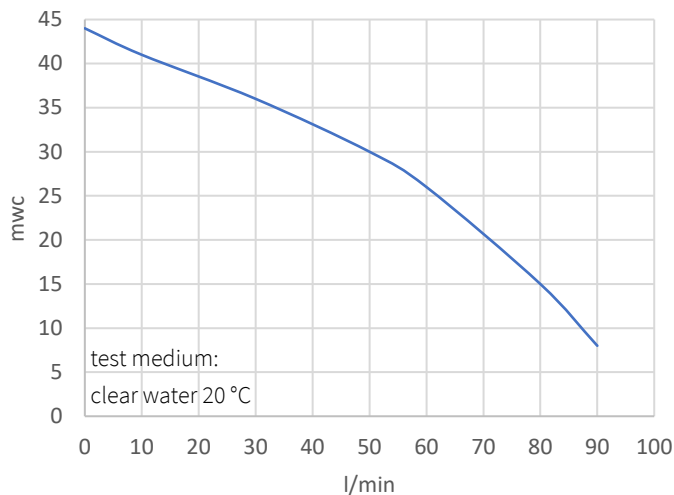
Industrial

Dimensions



Character	B	L	T	F	M1	M2	N1	N2	DN1	DN2	H1	H2	H	A
mm	223	454	250	117	93	183	148	175	G 1"	G 1"	176	49	225	206

Curves



l/min	20	40	60	80	90
m ³ /h	1,2	2,4	3,6	4,8	5,4
Pump type	head in mwc				
Multirain Jet 4	38	33	26	15	8