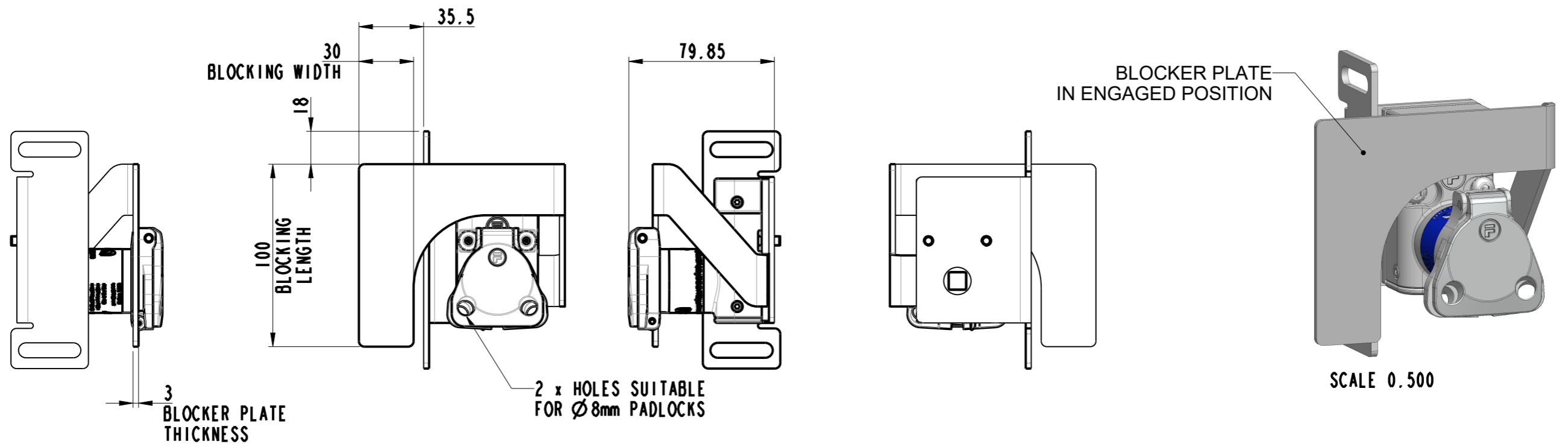


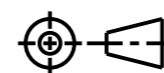
PERSONNEL / SAFETY KEY REMOVED, BLOCKER PLATE ENGAGED



BRAVO - PHOTOELECTRIC BLOCKING DEVICE

THE COPYRIGHT OF THIS DRAWING BELONGS TO FORTRESS INTERLOCKS Ltd.
THE CONTENT OF THIS DRAWING IS CONFIDENTIAL AND MUST NOT BE
DISCLOSED TO ANY 3rd PARTY WITHOUT SPECIFIC, WRITTEN APPROVAL.

ALL DIMENSIONS
ARE IN mm UNLESS
OTHERWISE STATED



ORIGINAL SIZE
A3

DWG NO: SD-00027

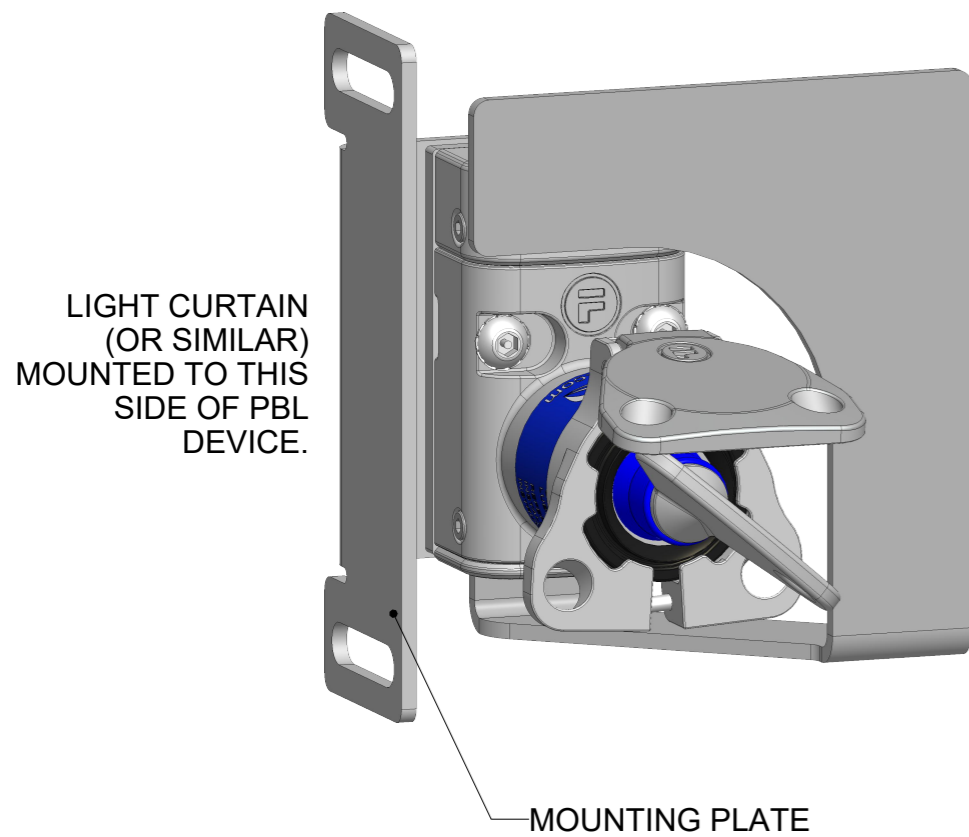
DATE: 04-02-2021

ISSUE: 0

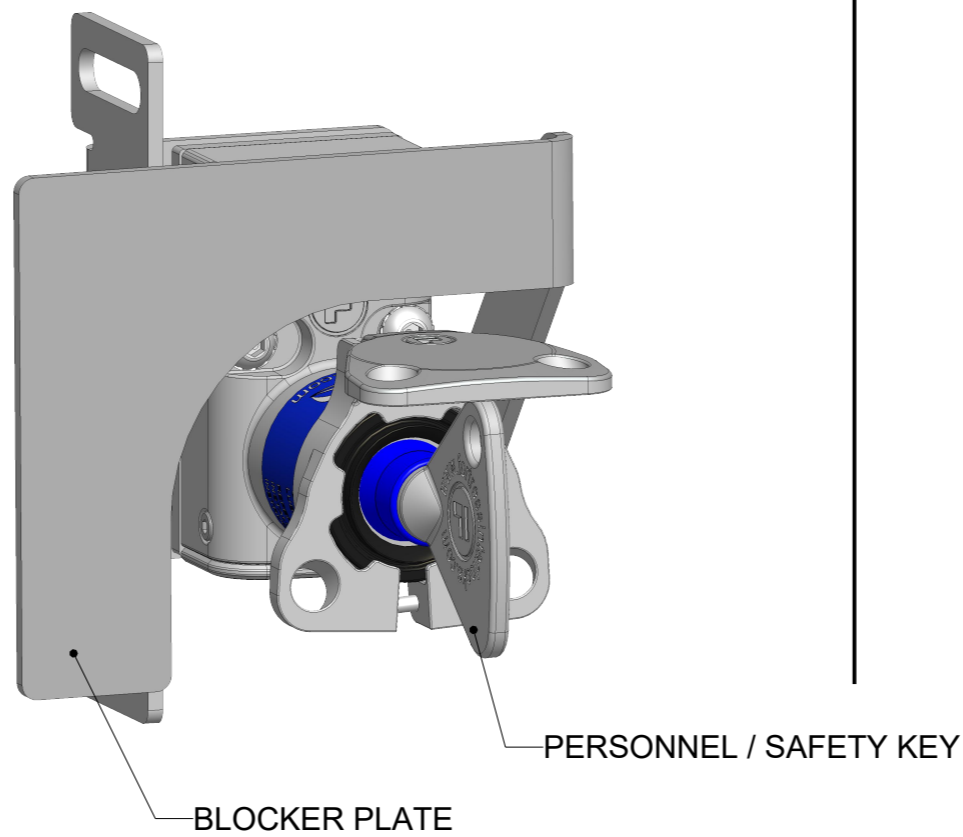
SCALE: 0.40

SHEET: 1 OF 2

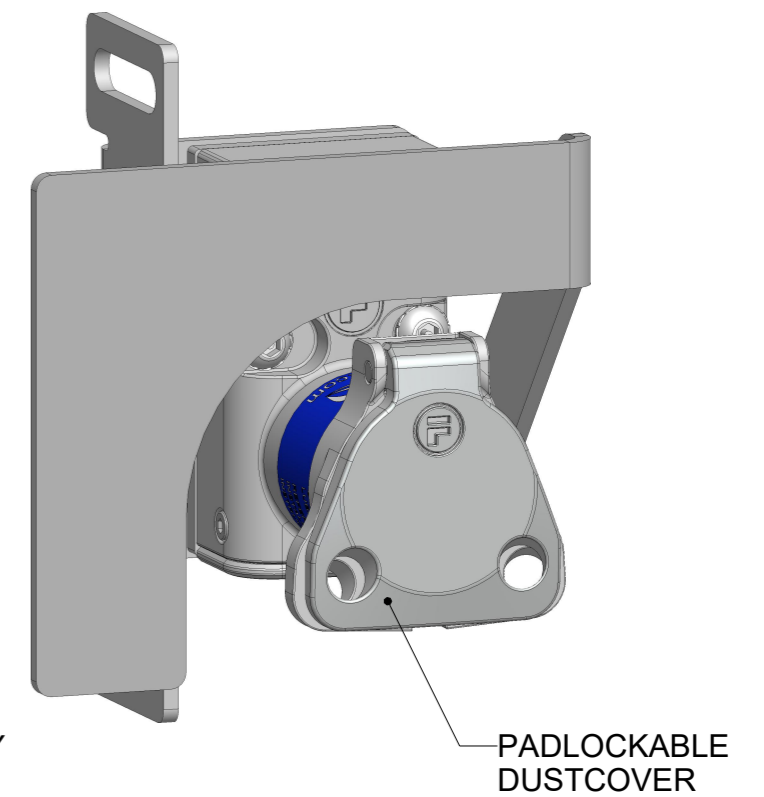
PERSONNEL / SAFETY KEY ROTATED CLOCKWISE.
BLOCKER PLATE IN **RETRACTED** POSITION.



PERSONNEL / SAFETY KEY ROTATED ANTI-CLOCKWISE.
BLOCKER PLATE IN **ENGAGED** POSITION.



PERSONNEL / SAFETY KEY REMOVED.
BLOCKER PLATE IN **ENGAGED** POSITION.

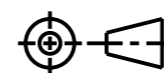


BRAVO - PHOTOELECTRIC BLOCKING DEVICE

DWG NO: SD-00027

THE COPYRIGHT OF THIS DRAWING BELONGS TO FORTRESS INTERLOCKS Ltd.
THE CONTENT OF THIS DRAWING IS CONFIDENTIAL AND MUST NOT BE
DISCLOSED TO ANY 3rd PARTY WITHOUT SPECIFIC, WRITTEN APPROVAL.

ALL DIMENSIONS
ARE IN mm UNLESS
OTHERWISE STATED



ORIGINAL SIZE
A3

DATE: 04-02-2021

ISSUE: 0

SCALE: 0.70

SHEET: 2 OF 2