

THANK YOU!

ENJOY THE WARM AND UNIQUE

CHARACTER OF YOKO

TURN PAGE FOR MORE DETAILS

Teo

TIMELESS EVERYDAY OBJECTS

DESIGN CONCEPT

Yoko brings a warm, soft and gentle feeling to every room. Combining an inner glass with an outer metal cover, Yoko offers both direct and indirect light. Taking inspiration from ancient Japanese tea-pots, Yoko combines eastern and western influences to a traditional yet modern pendant light with a friendly and unique character.

DESIGNER PROFILE

Yoko has been designed by the TEO Creative Directors, Lena Billmeier and David Baur from Germany.

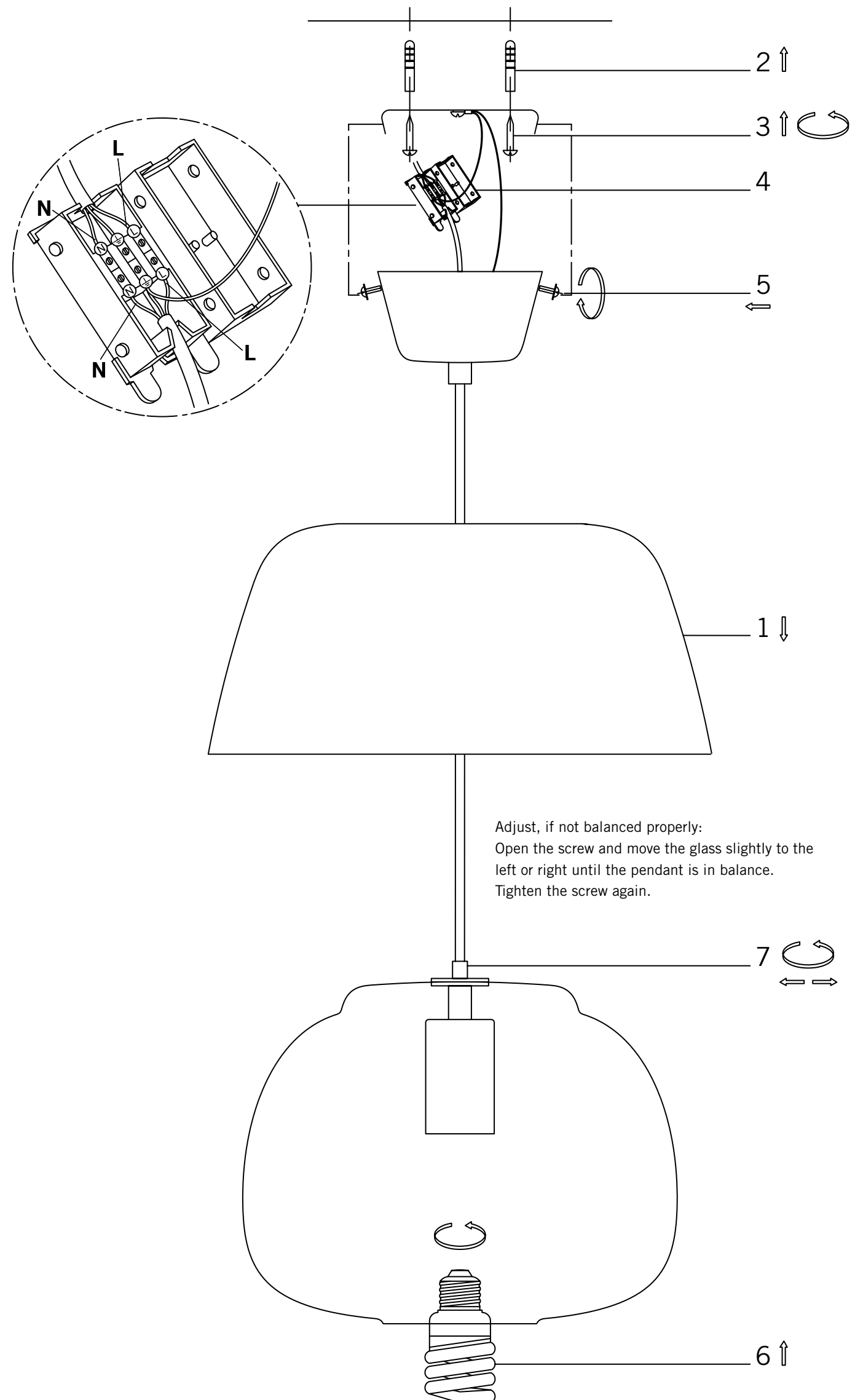
PRODUCT DETAILS

ITEM NO.	T0006
DIMENSIONS	D 33,0 cm H 22,1 cm
MATERIAL	mouth blown glass, painted steel
CABLE	textile cable, 2,5 M
CEILING ROSE	metal, white, D 12,0 cm, H 6,0 cm
SOCKET/BULB	E27, max. 60W, bulb not included Energy class A++, A+, A, B, C, D



CERTIFICATE
ADDRESS

CE
TEO Europe GmbH
Werftstr. 23, 68159 Mannheim, Germany



Adjust, if not balanced properly:
Open the screw and move the glass slightly to the left or right until the pendant is in balance.
Tighten the screw again.