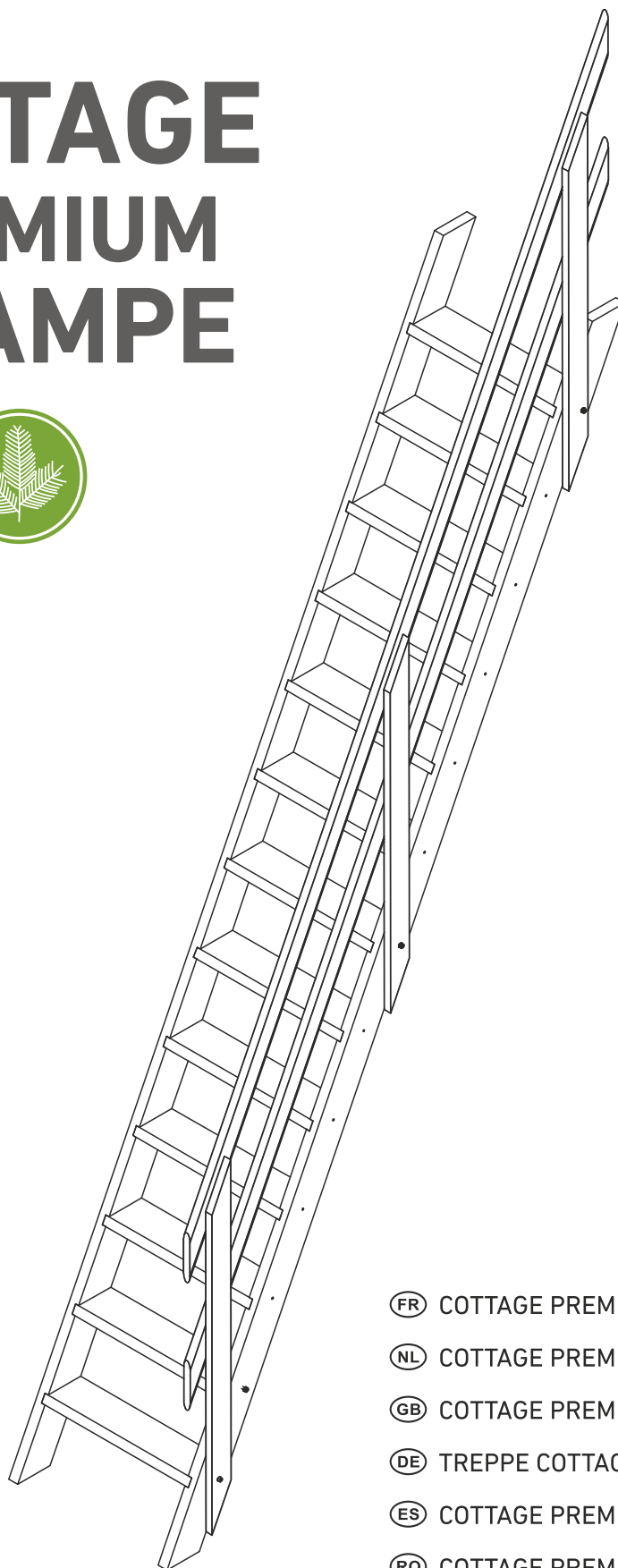
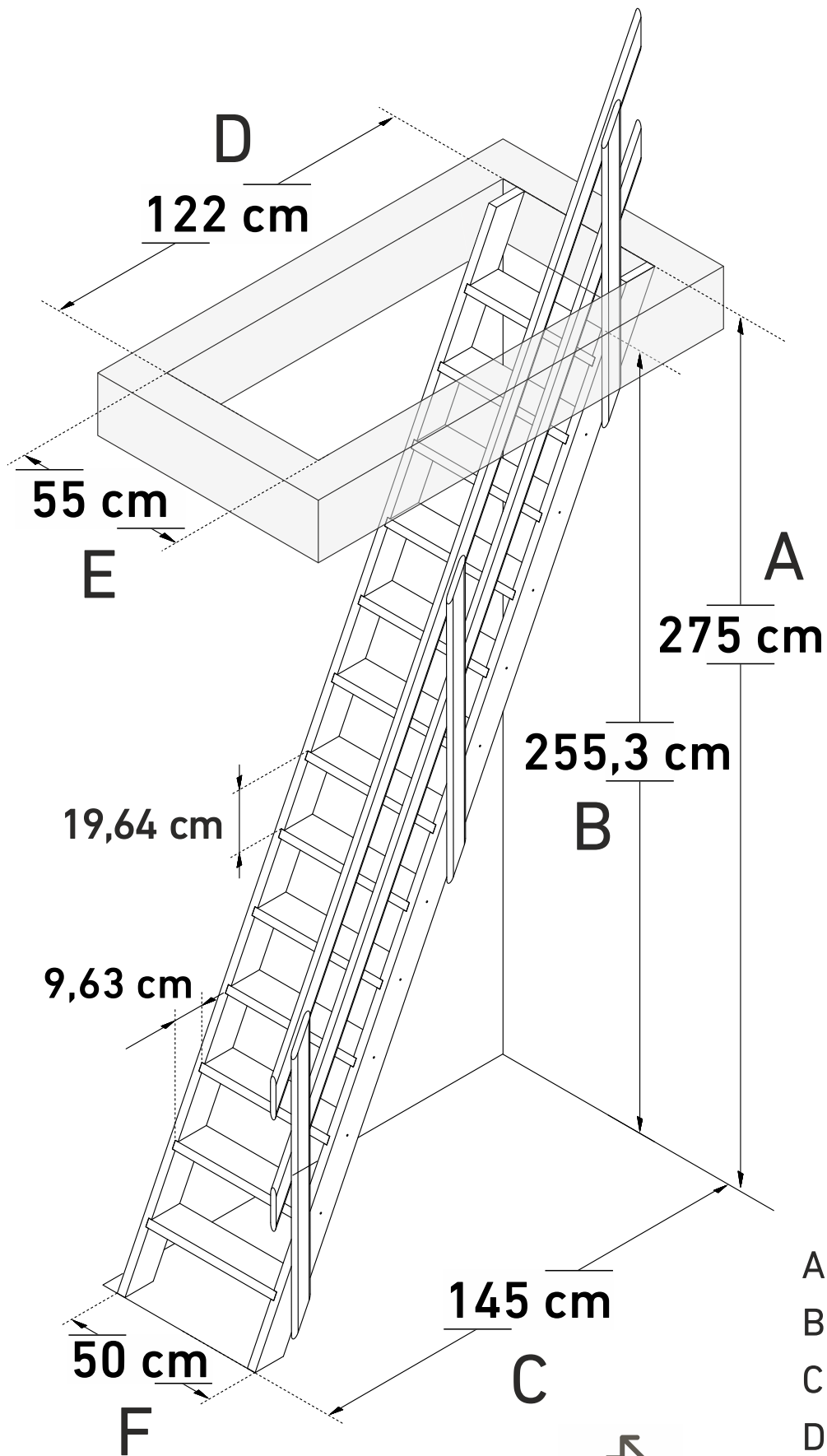




COTTAGE PREMIUM + RAMPE

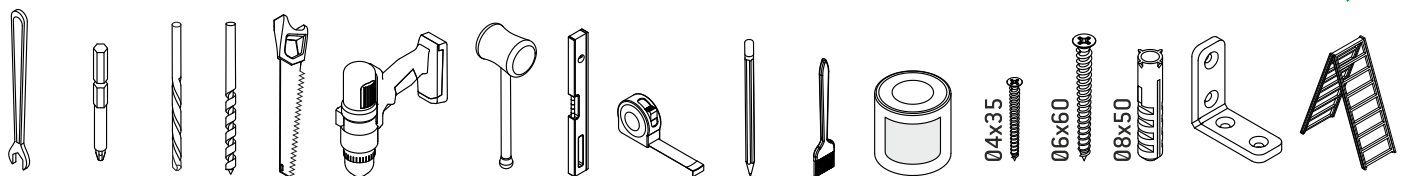


- Ⓡ COTTAGE PREMIUM ESCALIER + RAMPE
- Ⓝ COTTAGE PREMIUM TRAP+ LEUNING
- ⓖ COTTAGE PREMIUM STAIR + BANISTER
- Ⓝ TREPPE COTTAGE PREMIUM + GELÄNDER
- Ⓢ COTTAGE PREMIUM ESCALERA + BARANDILLA
- Ⓡ COTTAGE PREMIUM SCARA + RAMPA



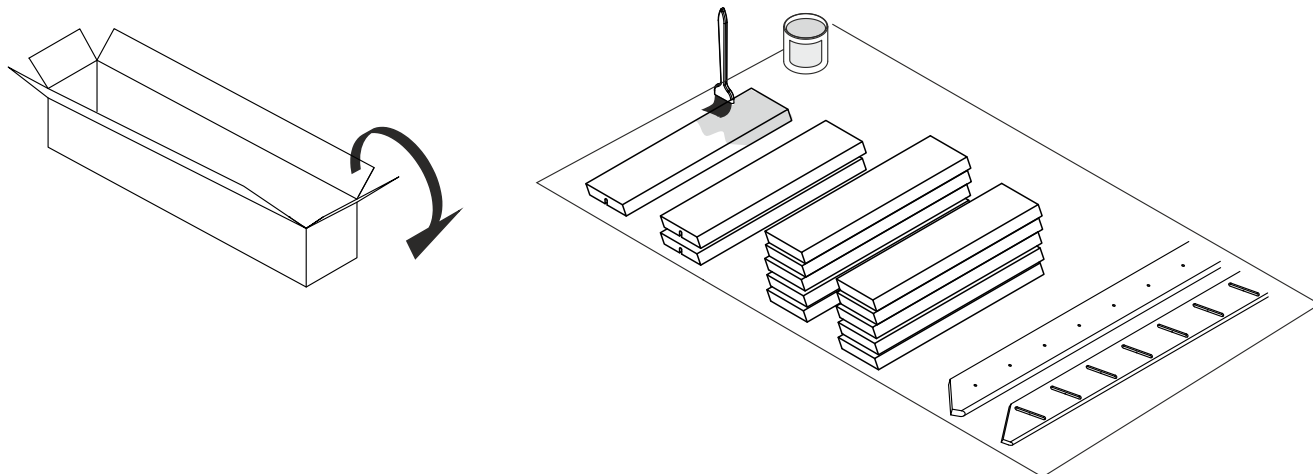
- Acm
- Bcm
- Ccm
- Dcm
- Ecm
- Fcm

01 x1	28x92x3108	02 x1	28x92x3108	03 x3	22x112x464	04 x10	22x112x464	05 x3	M6x515	06 x6	06x012x2	07 x6	M6x6	08 x20	05x50



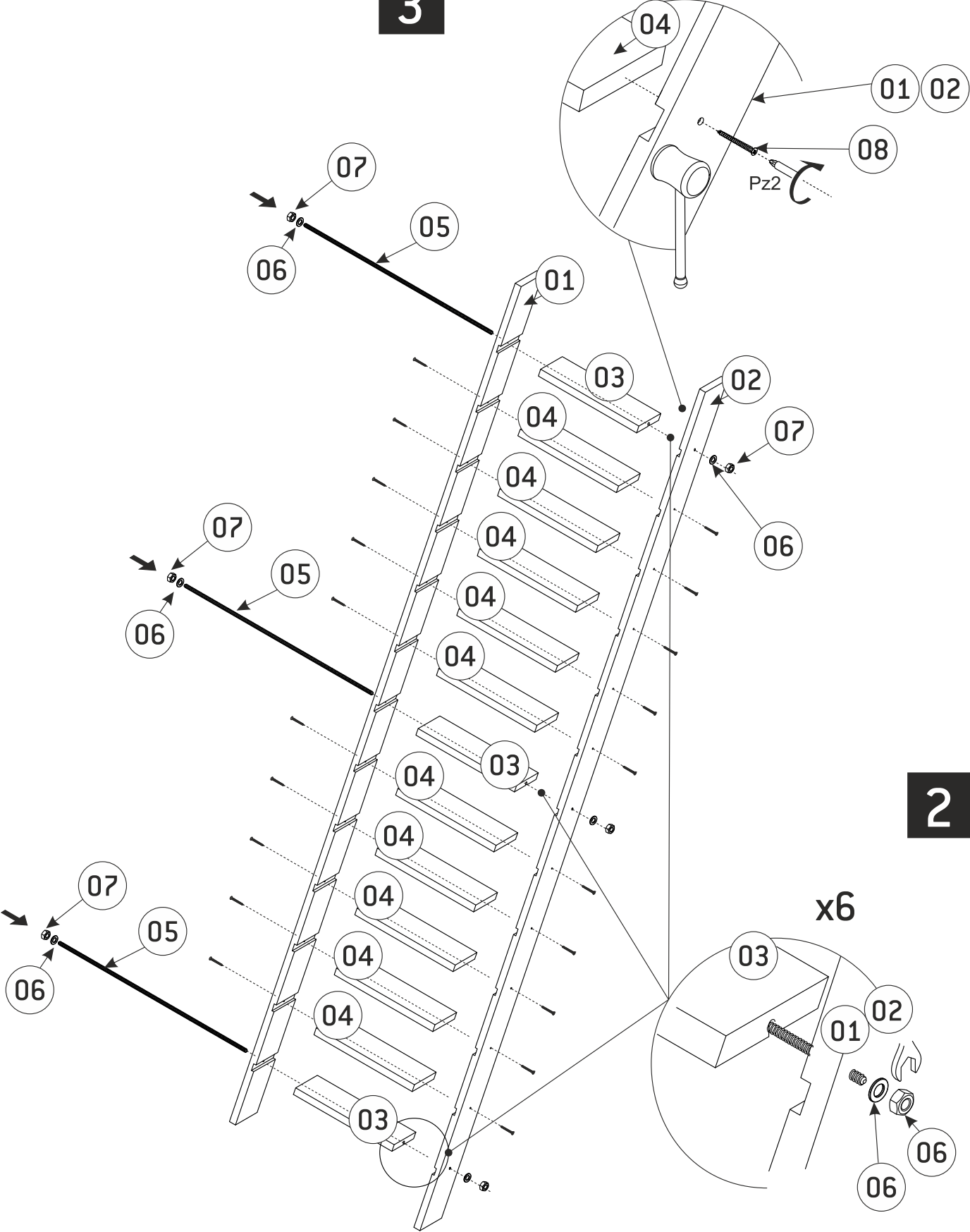
10 Ph2/3 010 04
Pz2/3 08 012

1



3

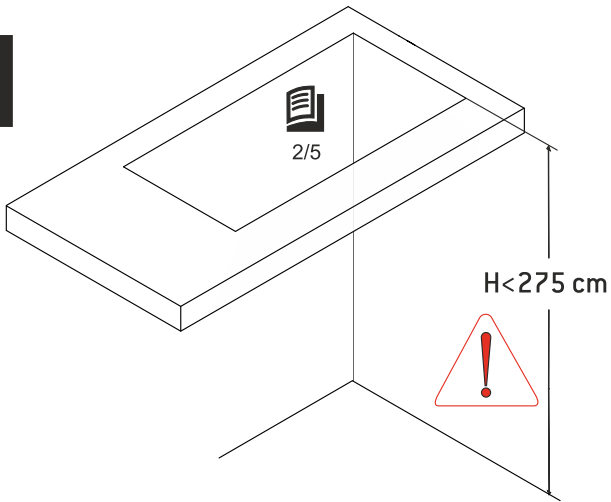
x20



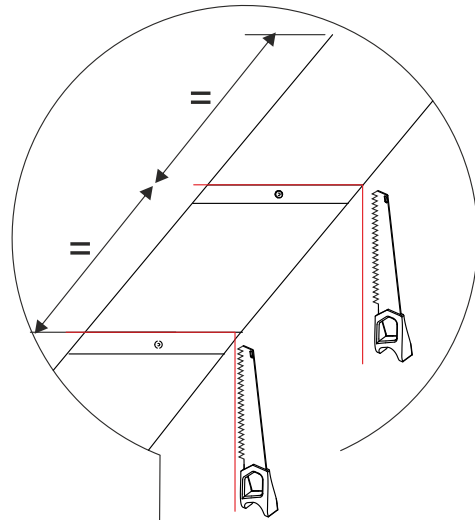
2

4

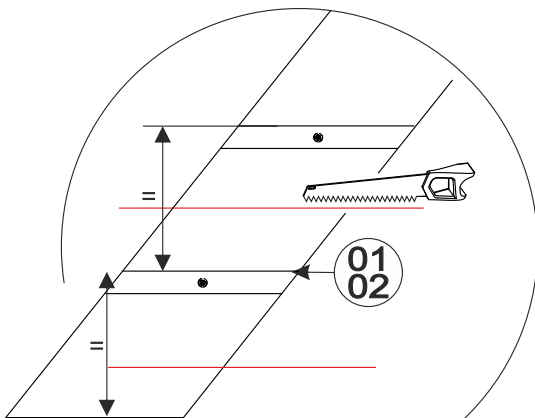
$H < 275 \text{ cm}$



$-1h; -2h$

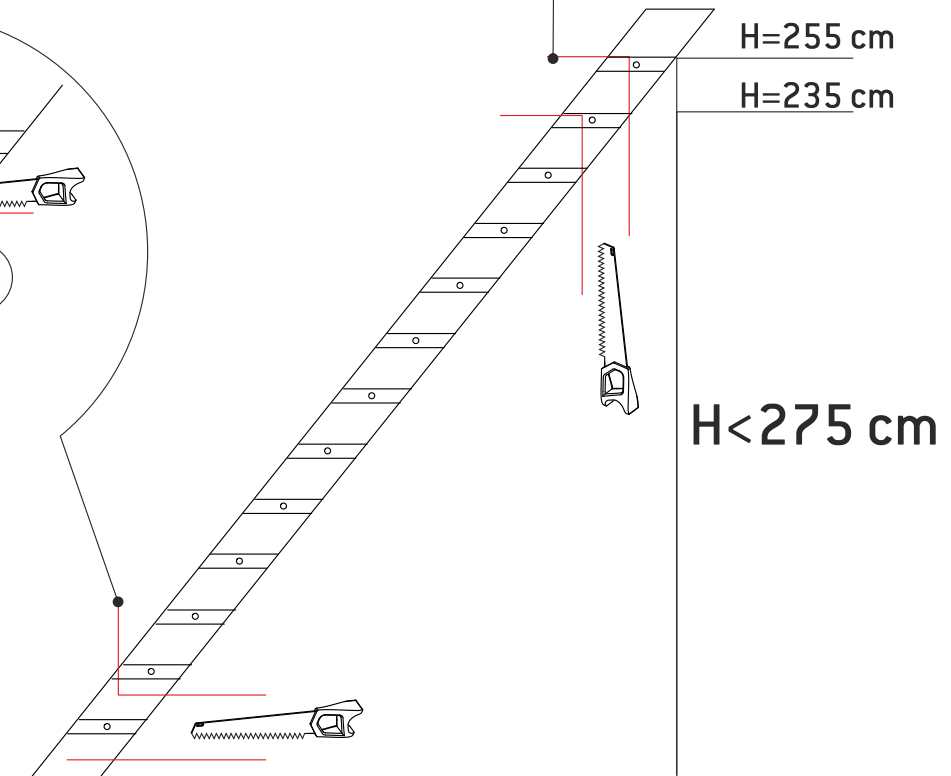


$-0,3h; -1,5h$

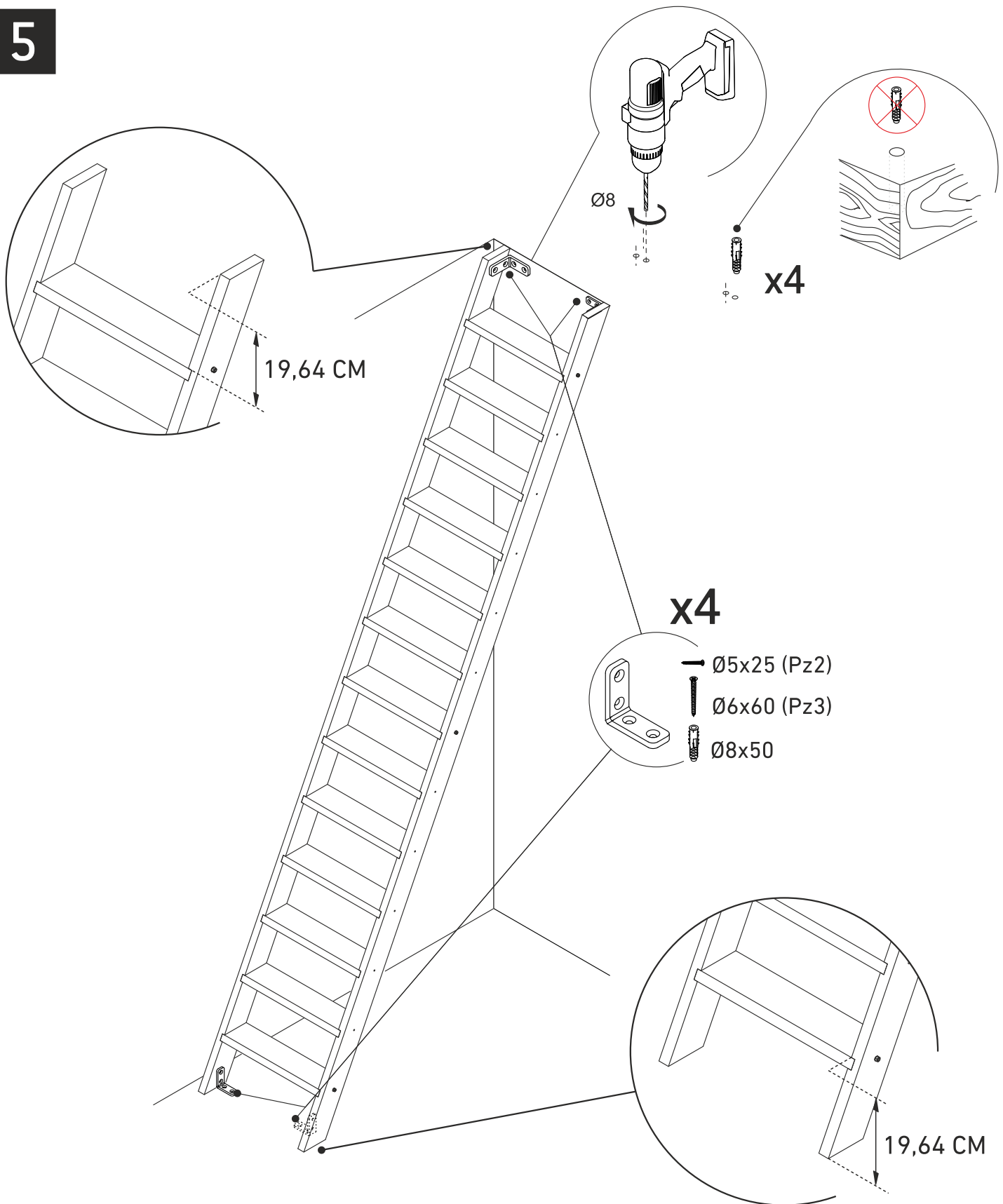


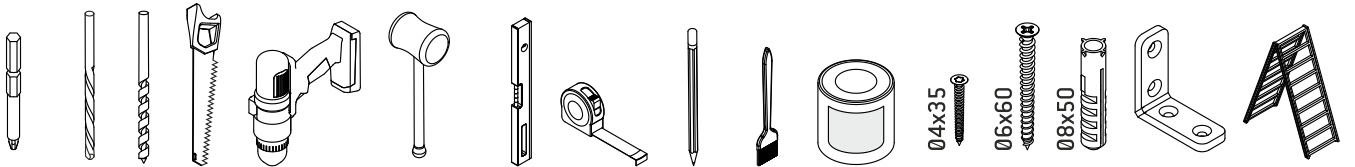
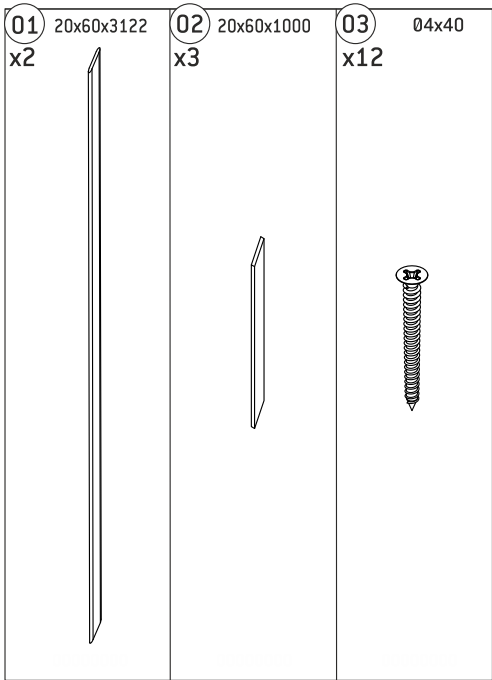
$H = 255 \text{ cm}$

$H = 235 \text{ cm}$

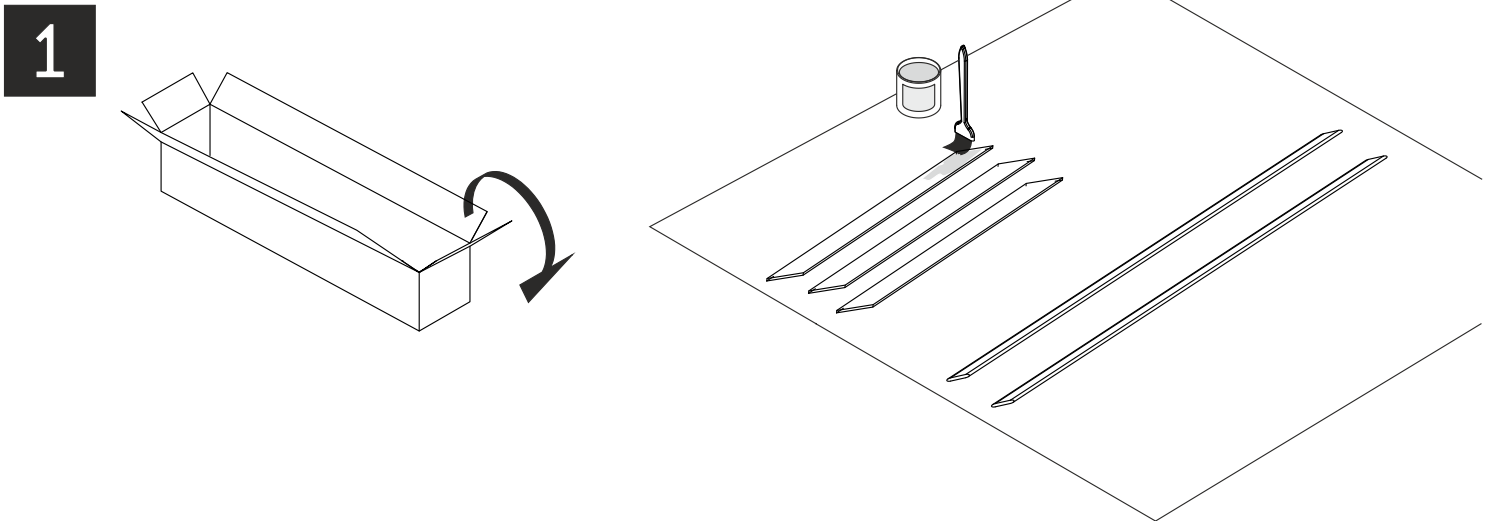


5

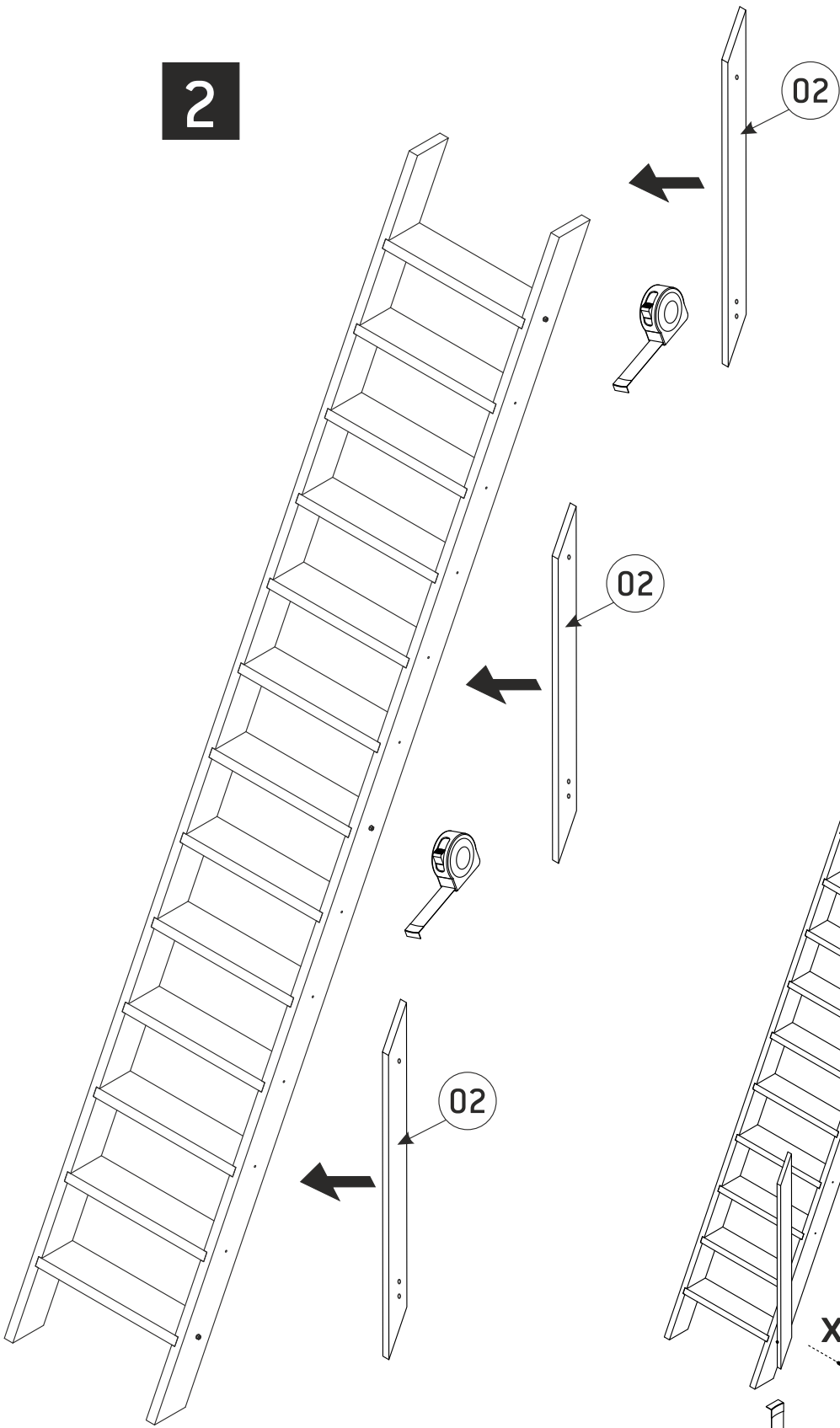




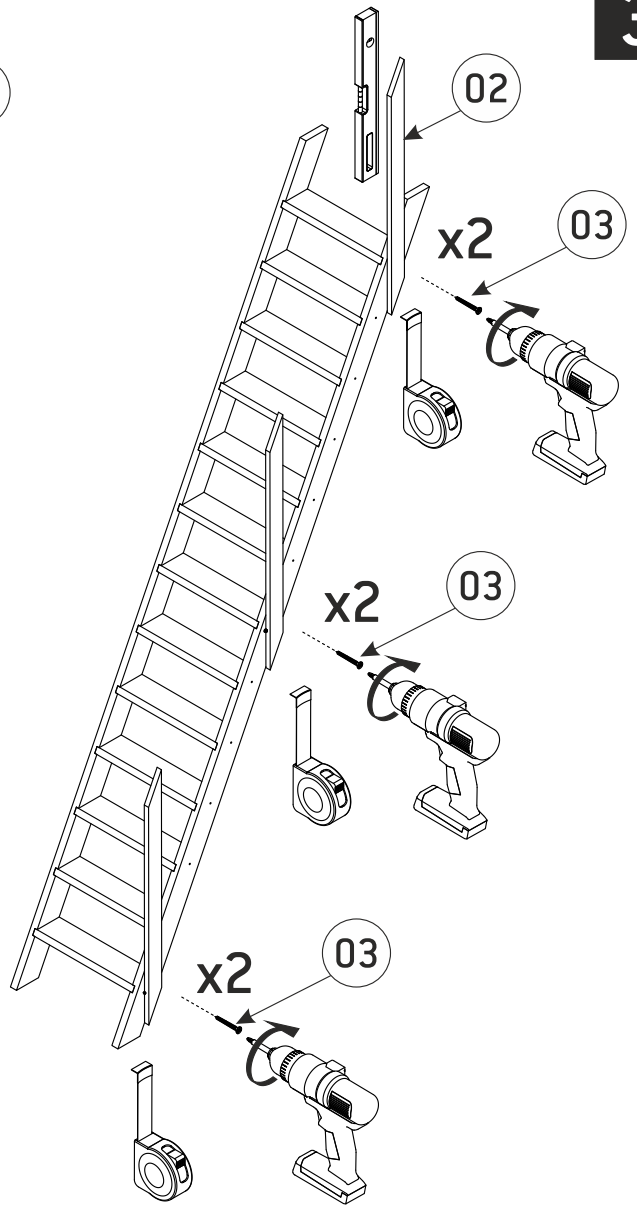
Ph2/3 010 04
Pz2/3 008 012



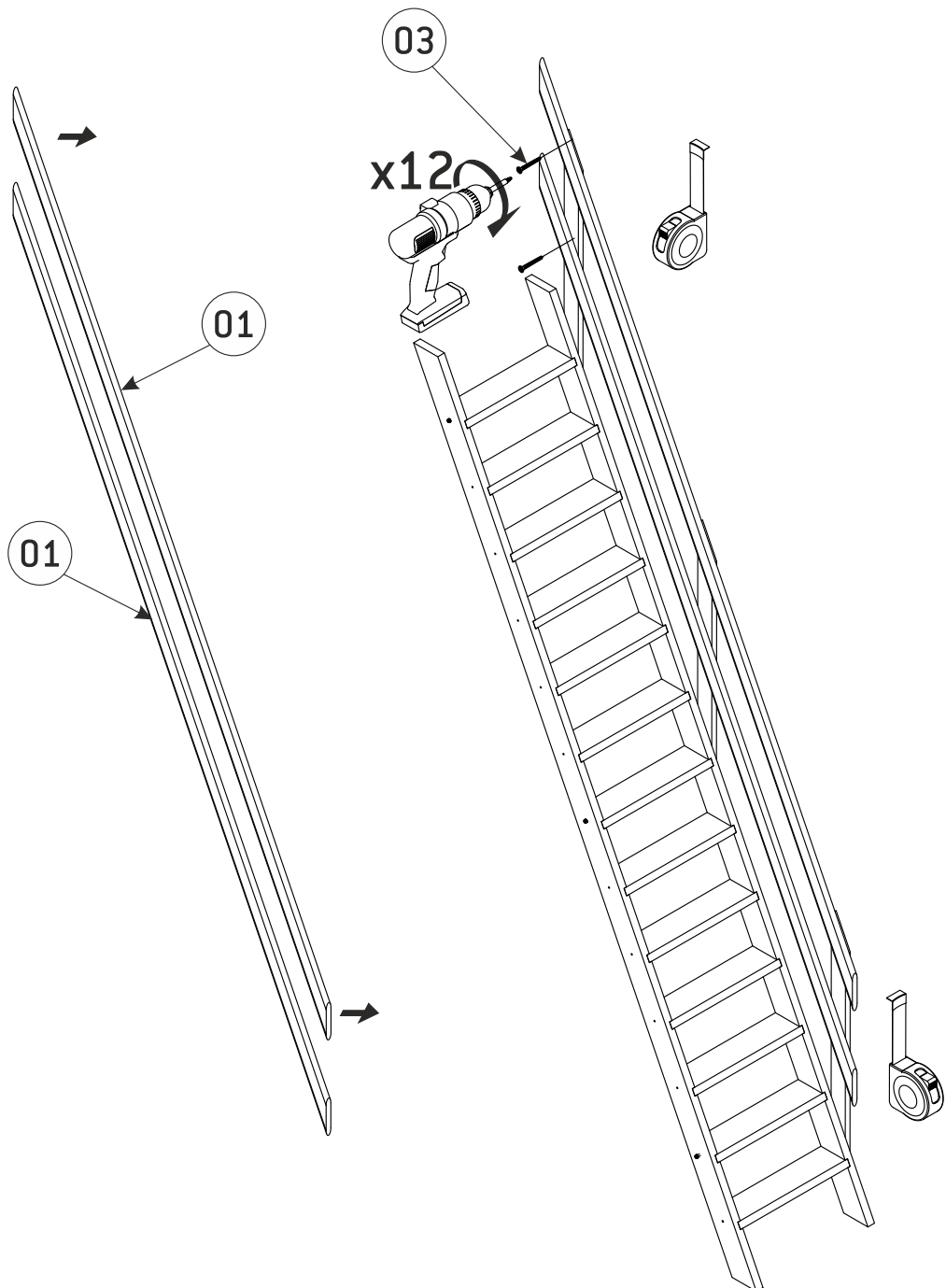
2

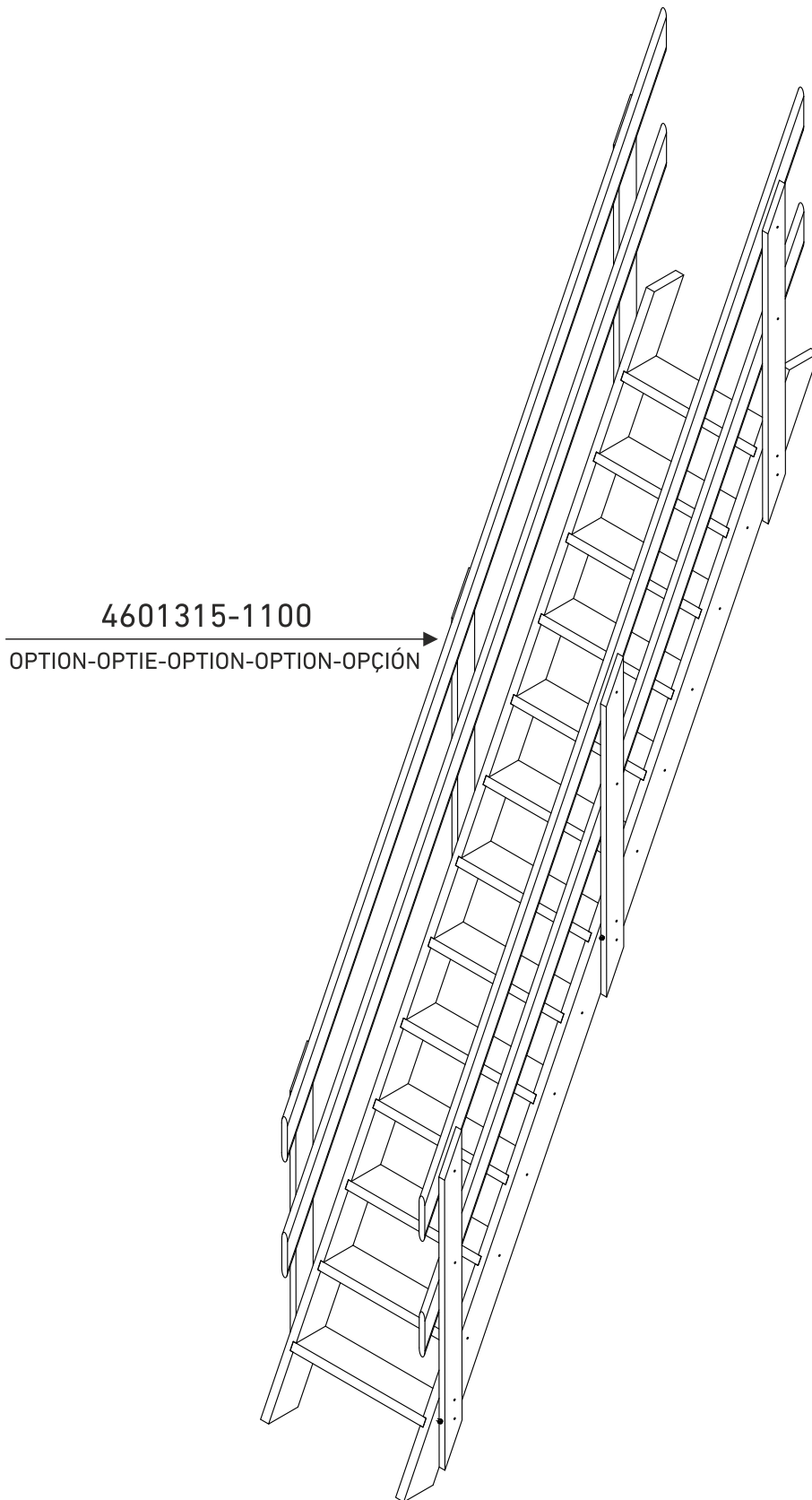


3



4





40 AVENUE DE L'ESPÉRANCE - 6220 FLEURUS - BELGIUM
TEL: +32/71/25.39.60, E-MAIL: info@sogem-sa.com