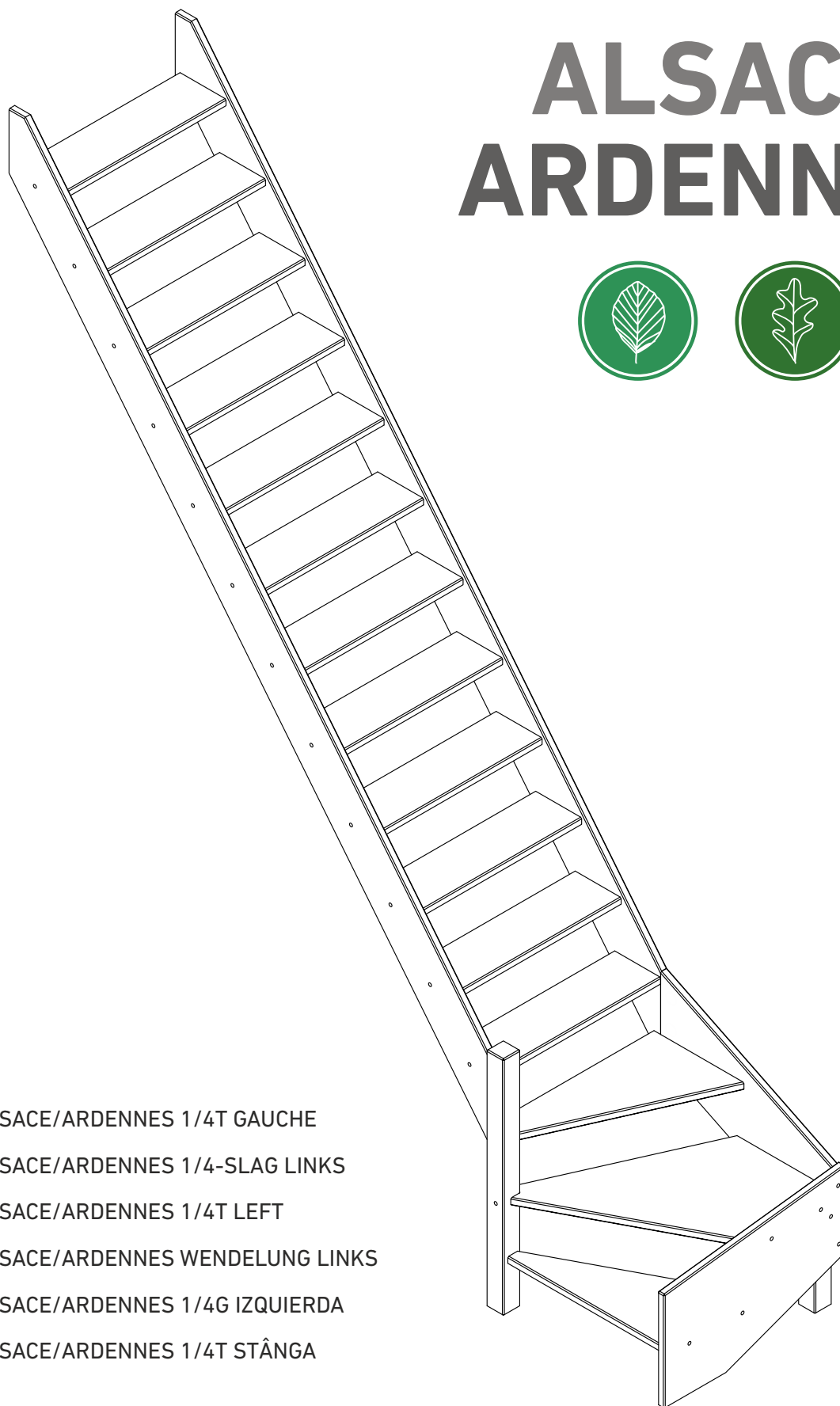
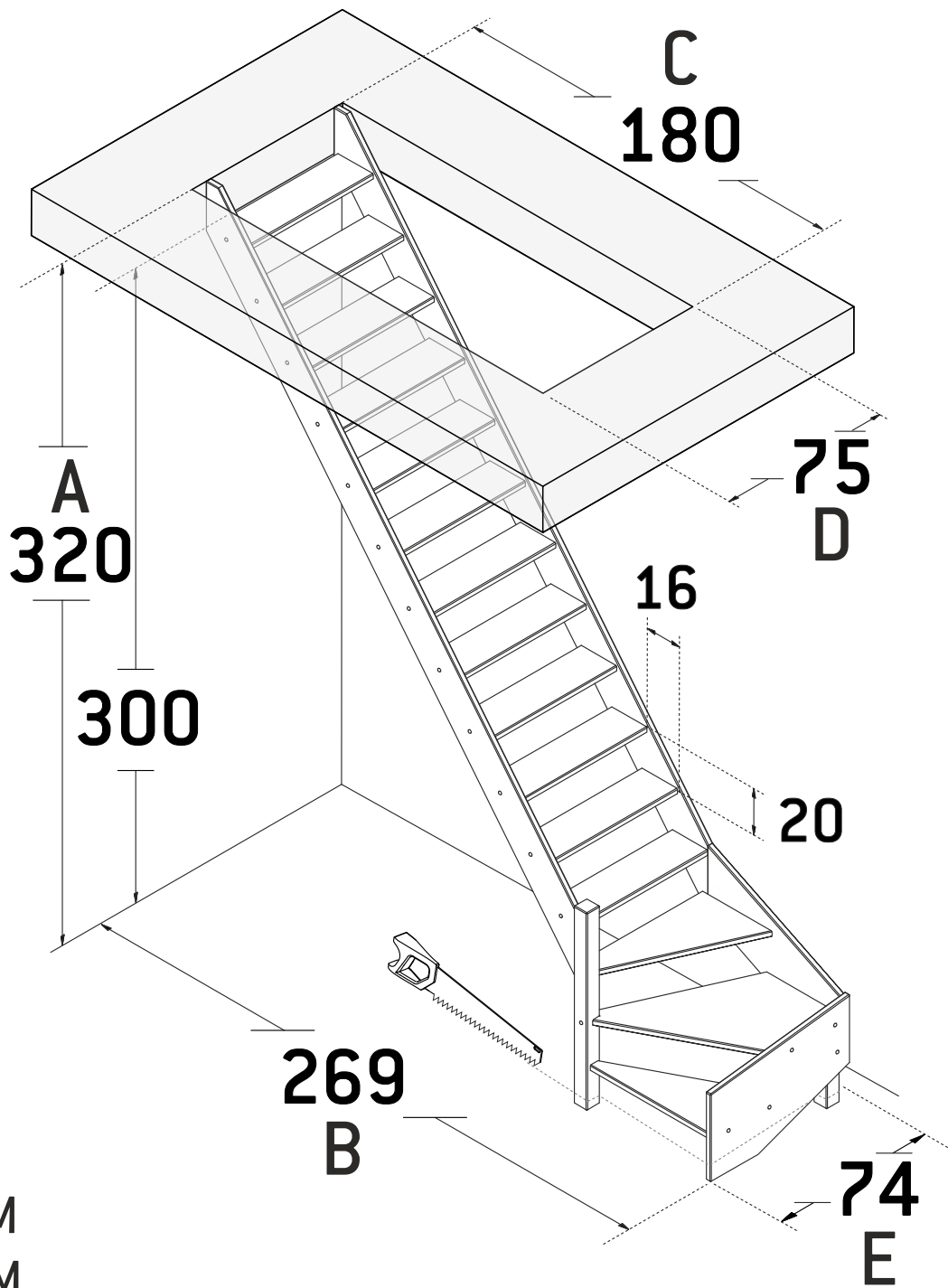




# ALSACE ARDENNES

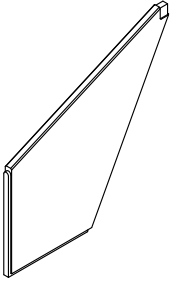
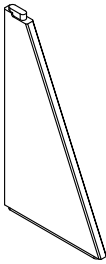
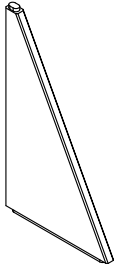
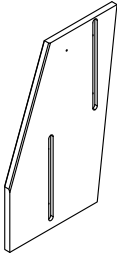
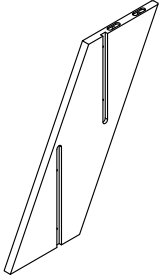
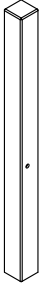

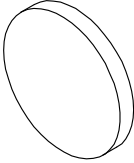
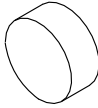

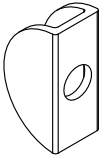

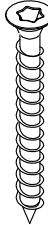




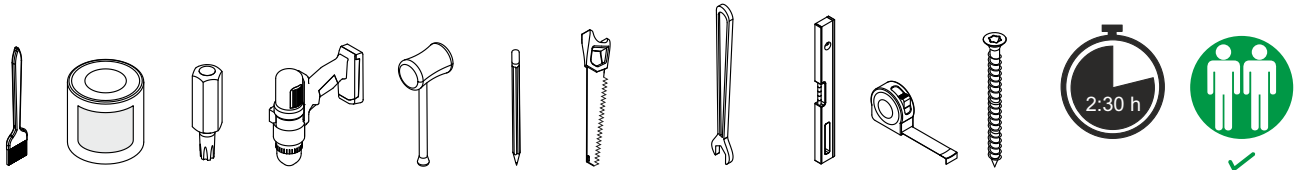
- Ⓕ FR ALSACE/ARDENNES 1/4T GAUCHE
- Ⓕ NL ALSACE/ARDENNES 1/4-SLAG LINKS
- Ⓕ GB ALSACE/ARDENNES 1/4T LEFT
- Ⓕ DE ALSACE/ARDENNES WENDELUNG LINKS
- Ⓕ ES ALSACE/ARDENNES 1/4G IZQUIERDA
- Ⓕ RO ALSACE/ARDENNES 1/4T STÂNGA



- A.....CM
- B.....CM
- C.....CM
- D.....CM
- E.....CM

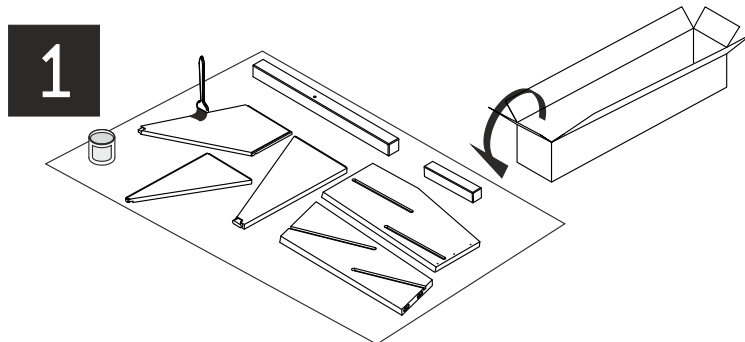


<b>01</b> <b>X1</b> 27X520X920 	<b>02</b> <b>X1</b> 27X375X625 	<b>03</b> <b>X1</b> 27X305X660 	<b>04</b> <b>X1</b> 27X420X733 	<b>05</b> <b>X1</b> 27X305X770 
<b>06</b> <b>X1</b> 70X70X900 	<b>07</b> <b>X1</b> 70X70X370 	<b>08</b> <b>X4</b> 5X040 	<b>09</b> <b>X15+1</b> Ø12X5 	<b>10</b> <b>X4</b> M8X68 
<b>11</b> <b>X4</b> 11X18X35 	<b>12</b> <b>X4</b> M8X8 	<b>13</b> <b>X15+1</b> 5X60 	<b>14</b> <b>X8+1</b> 3X25 	<b>15</b> <b>X4</b> 3X15X46 



Tx 2

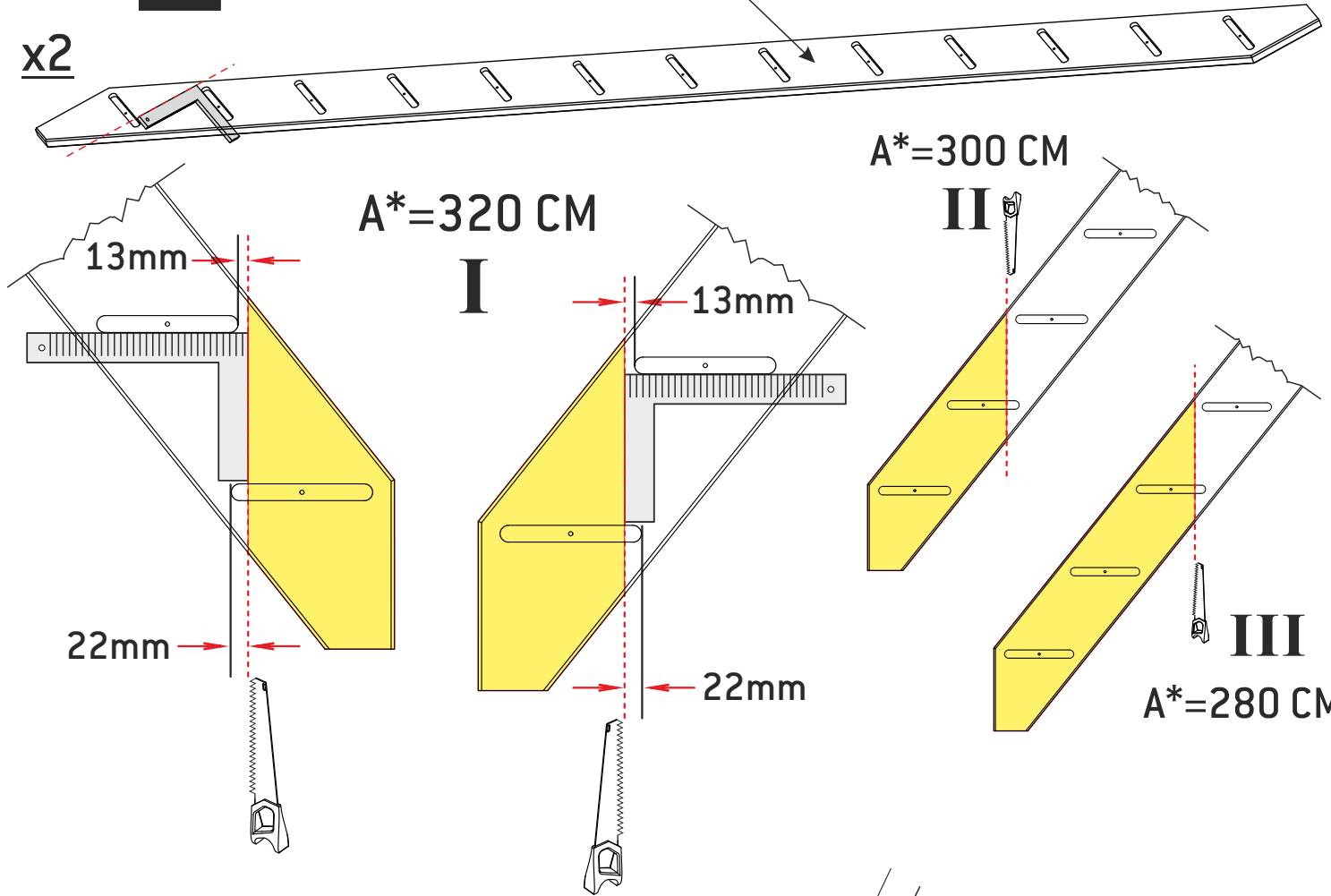
5X90



**2**

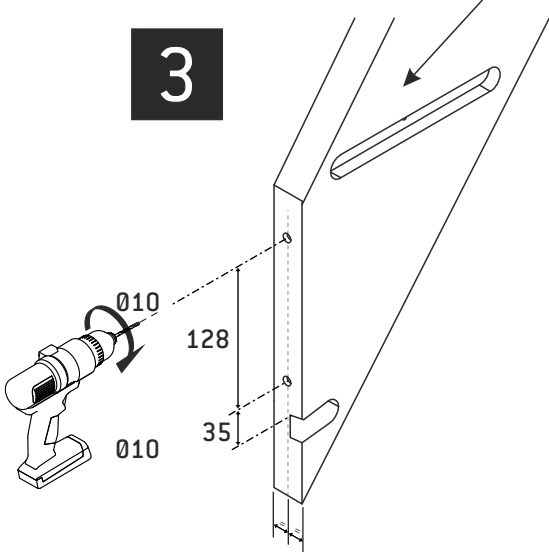
4601440-1000/  
4601210-1000

x2

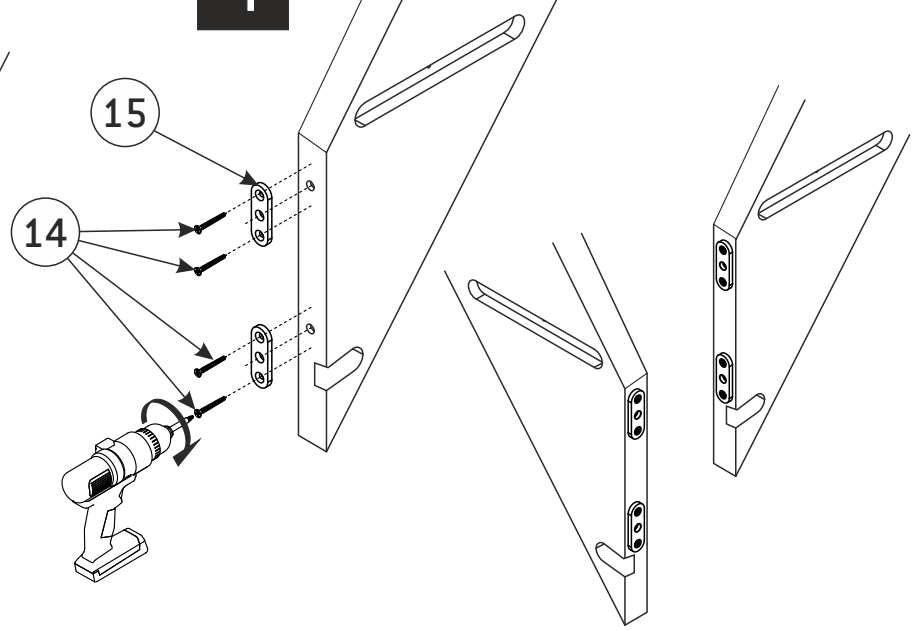


**3**

4601440-1000/  
4601210-1000

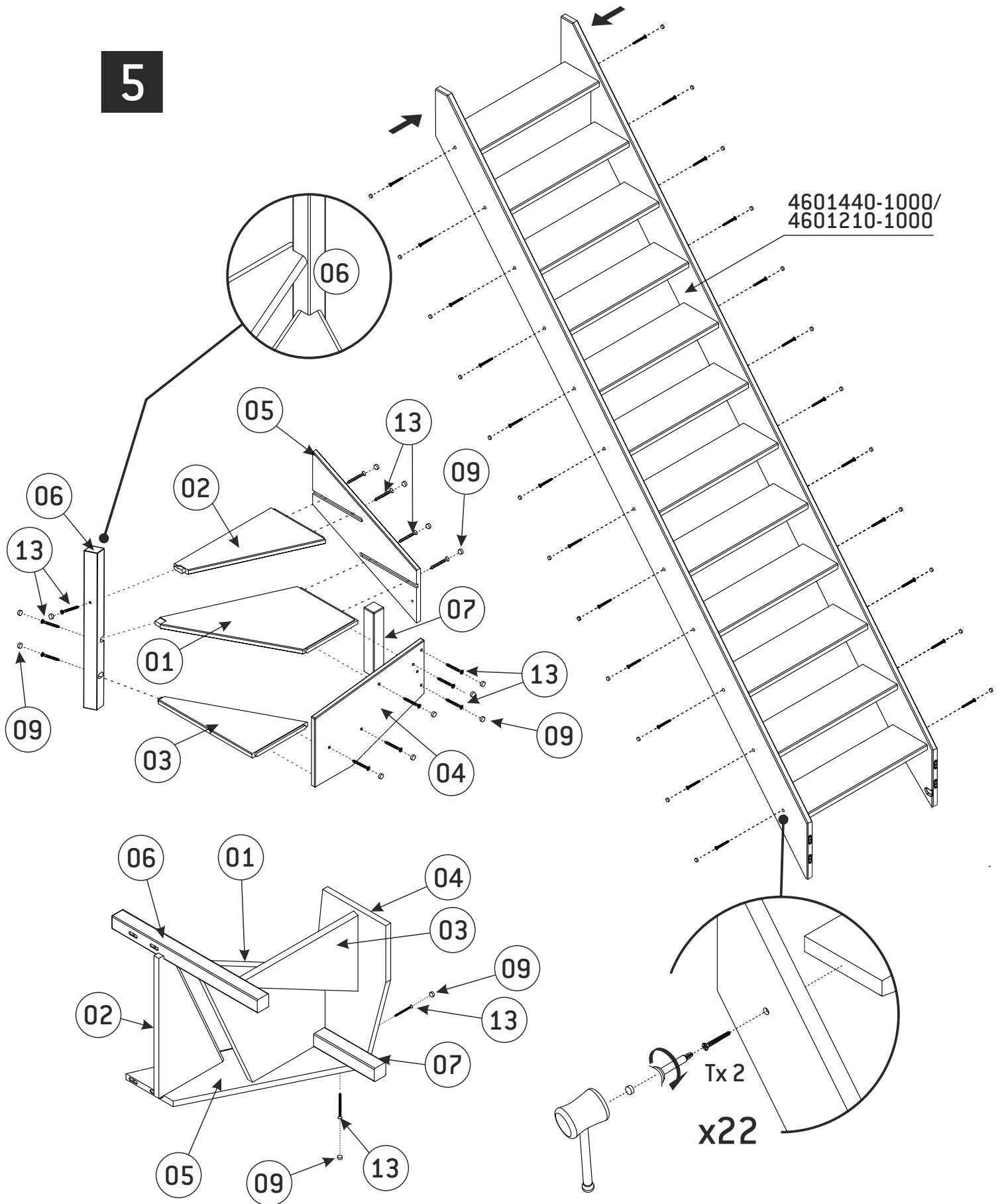


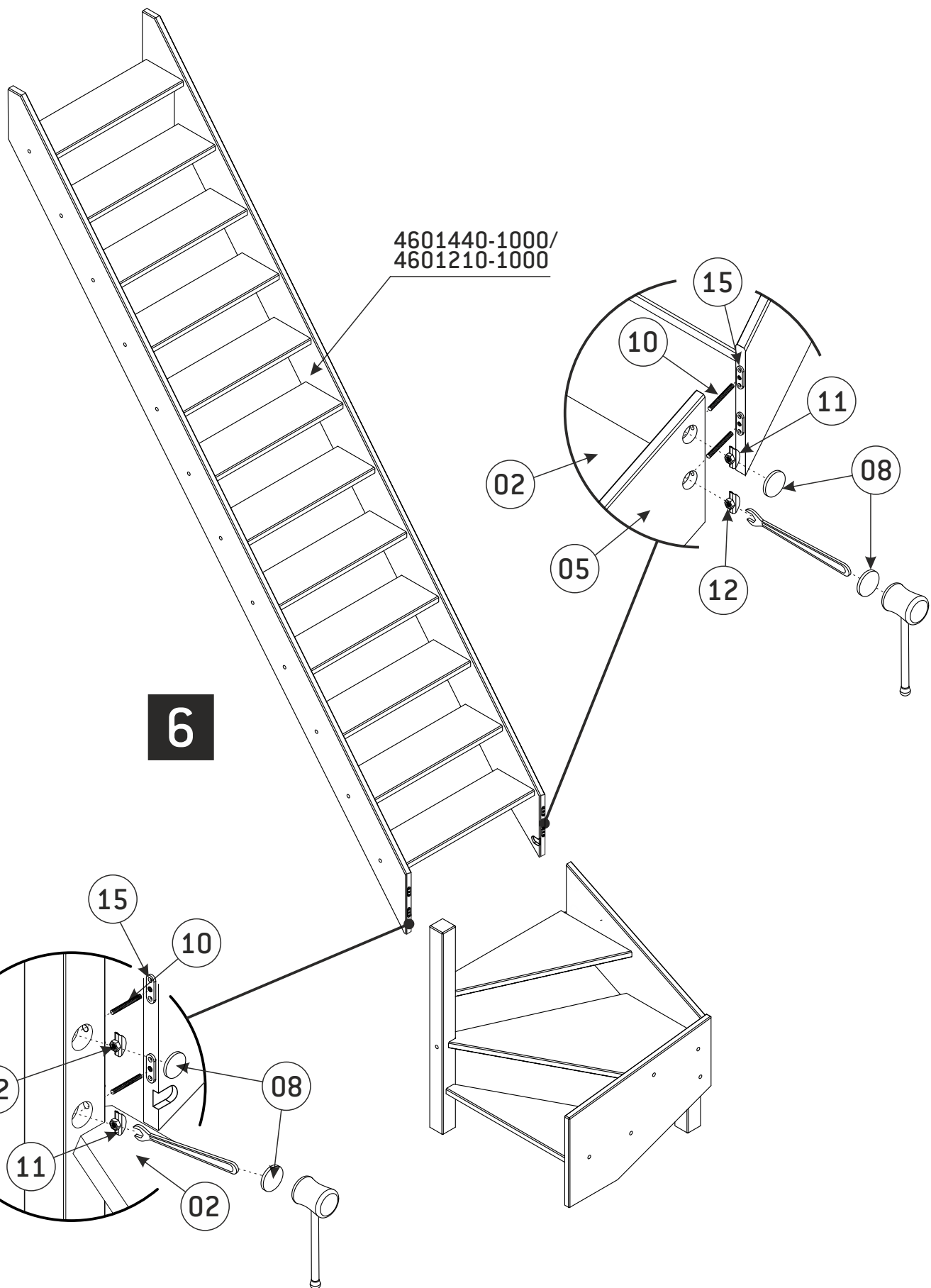
**4**

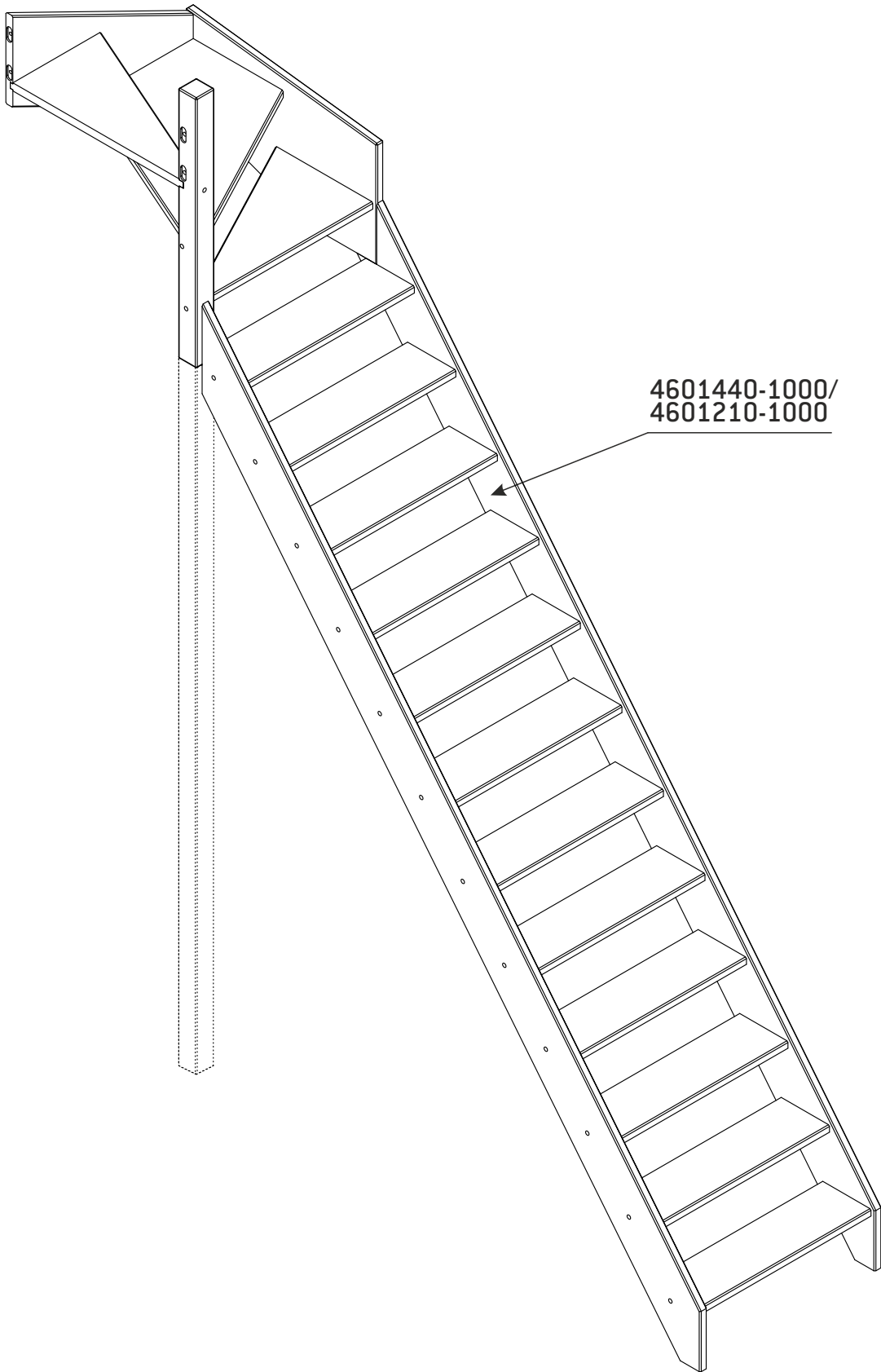


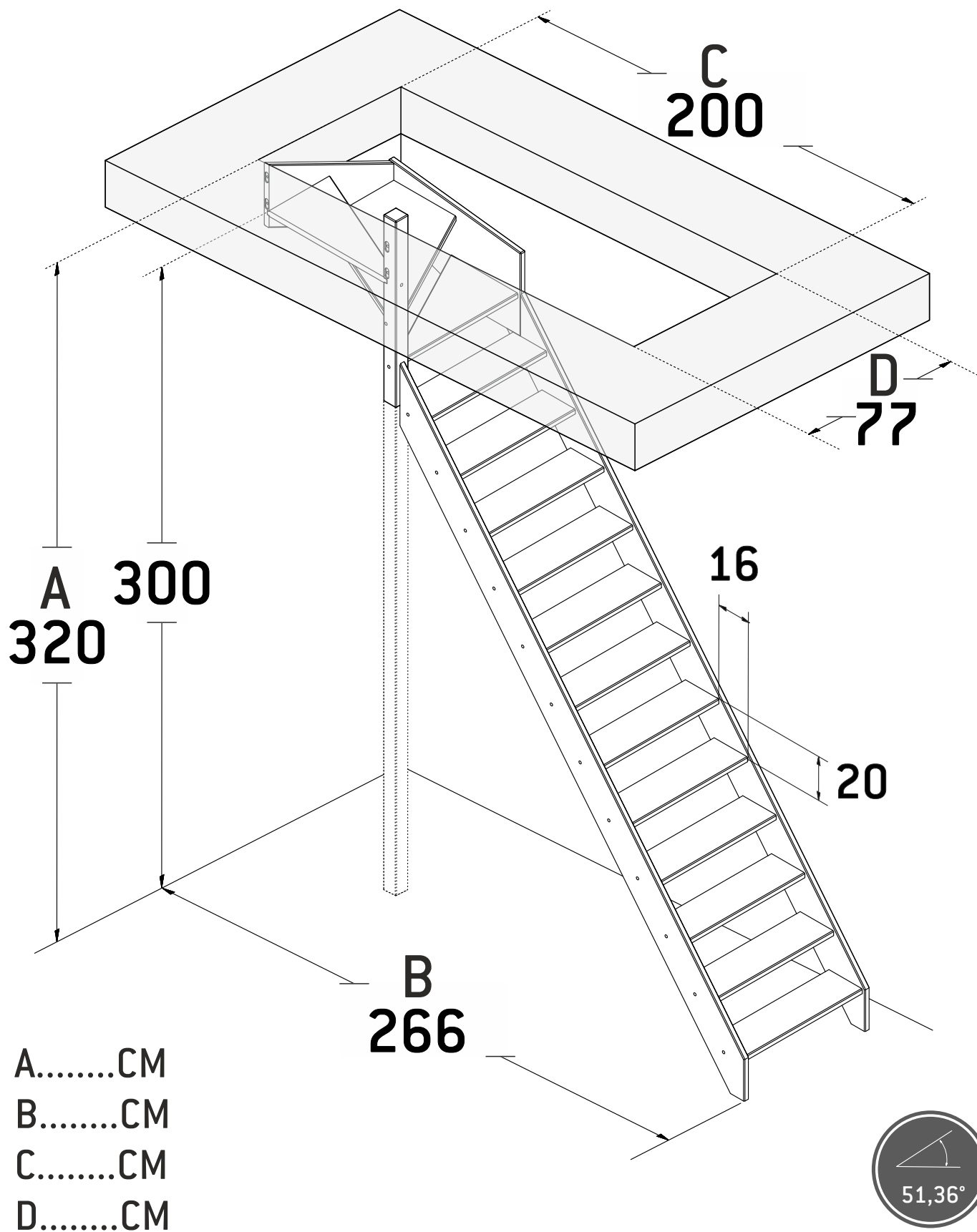
\* pag. 2

**5**

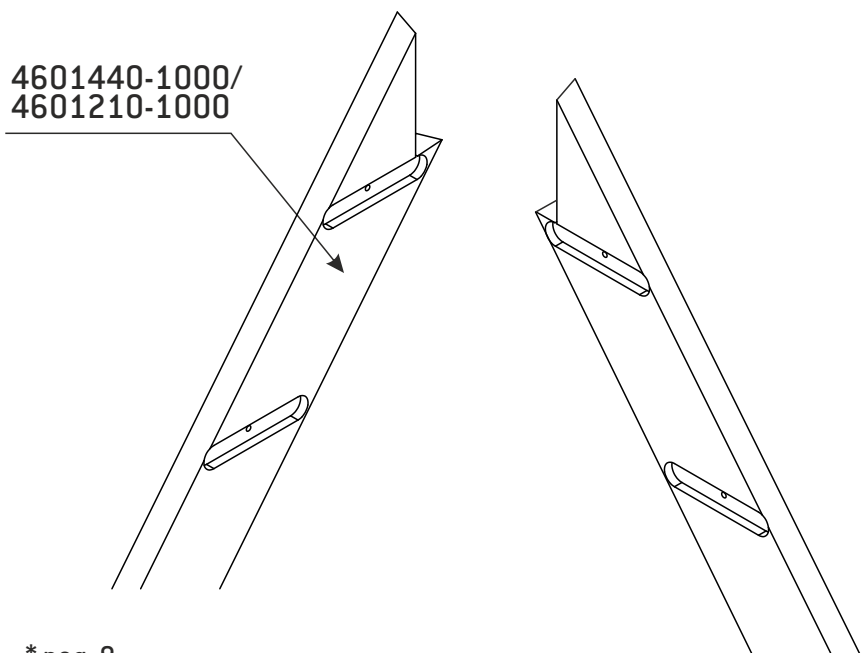
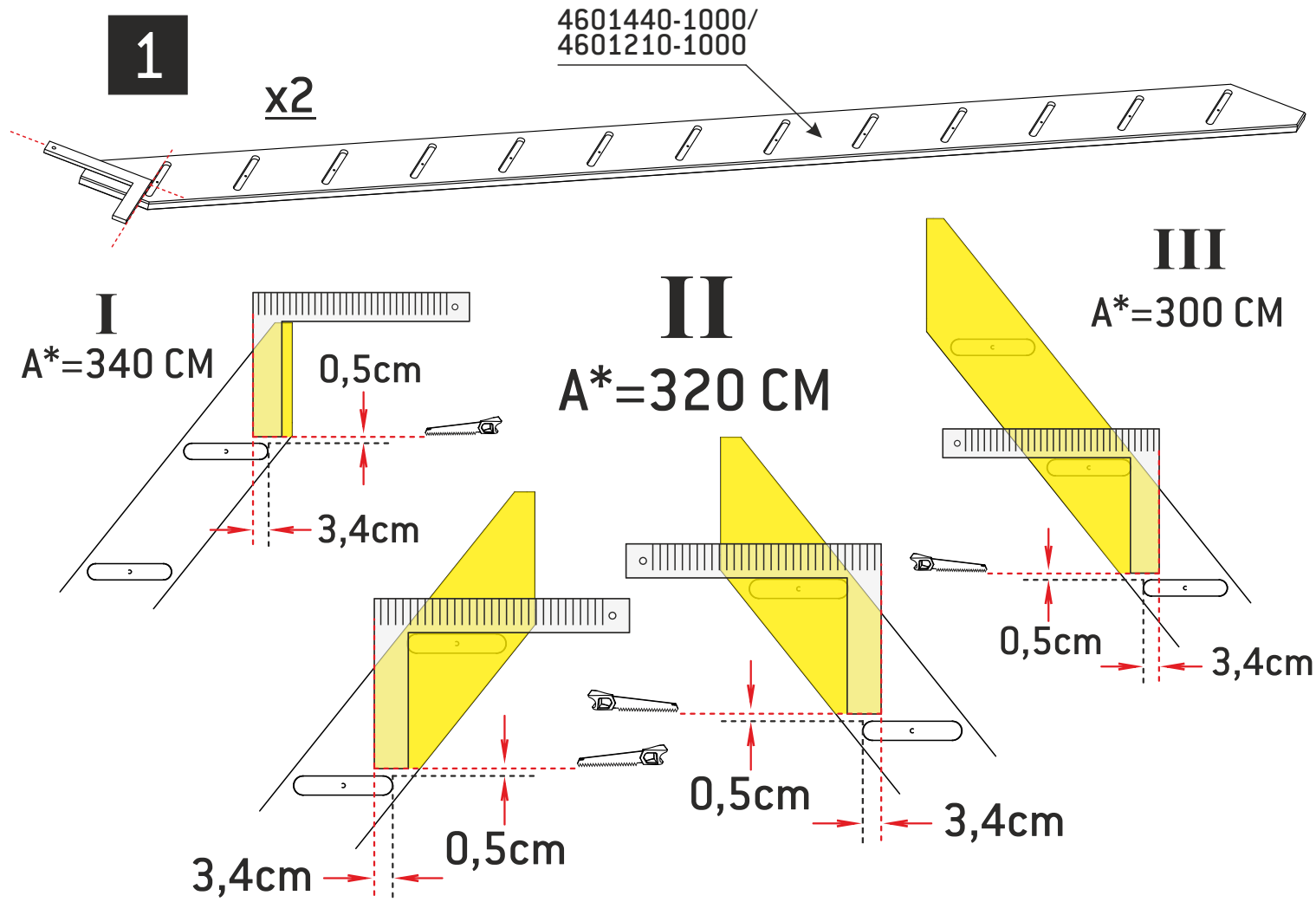






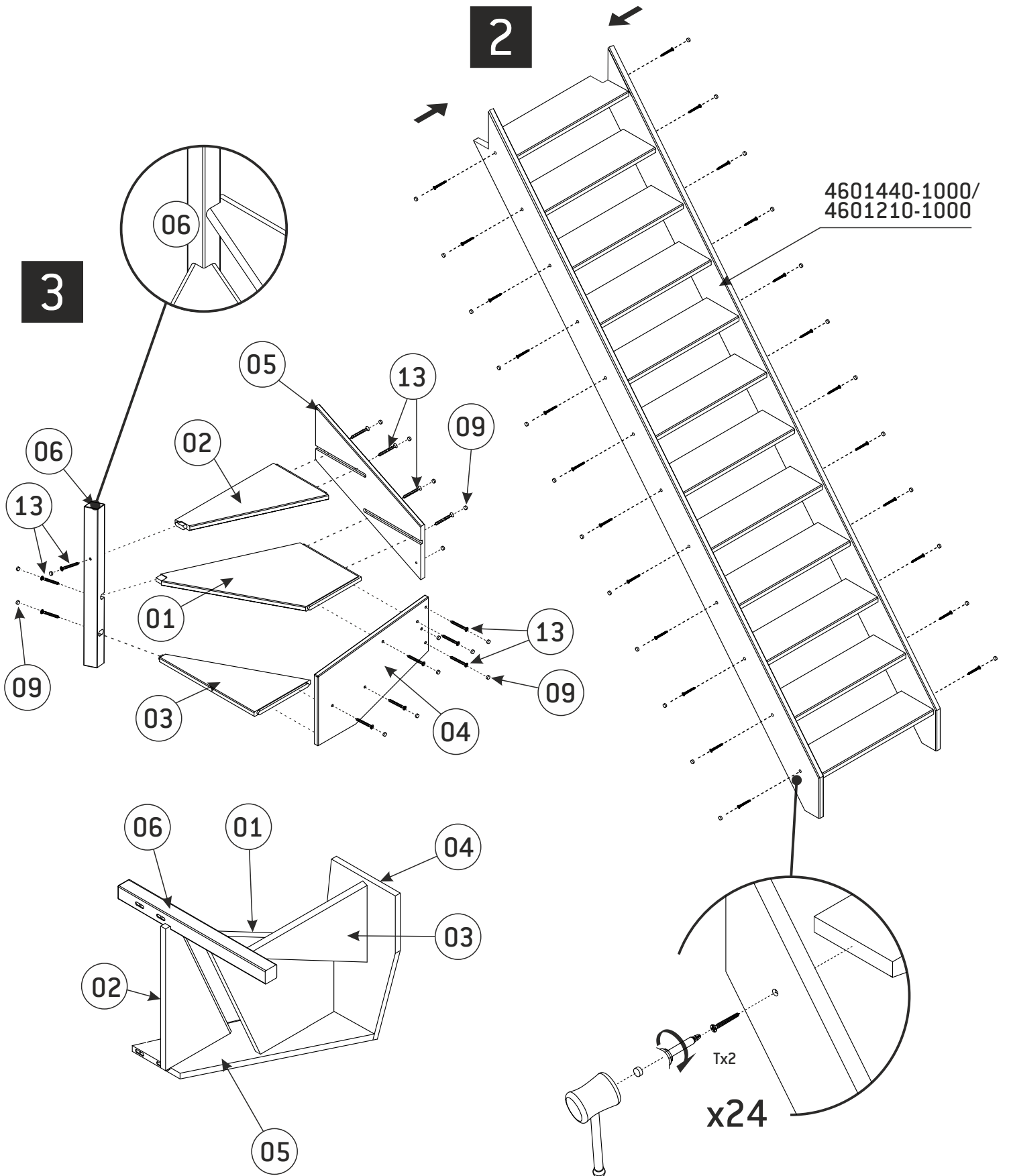




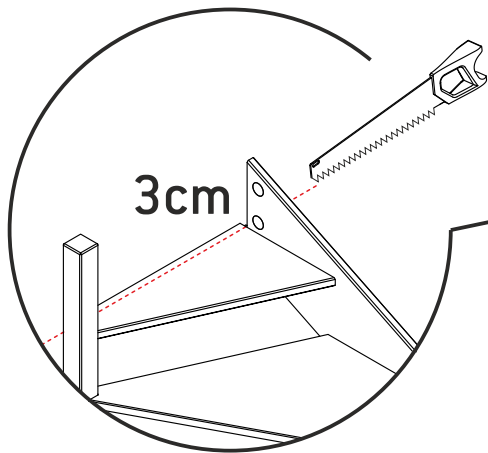


07 x1	70x70x370	10 x4	M8X68	11 x4	11X18X35
12 x4	M8X68	15 x4	3X15X46		

\* pag. 8

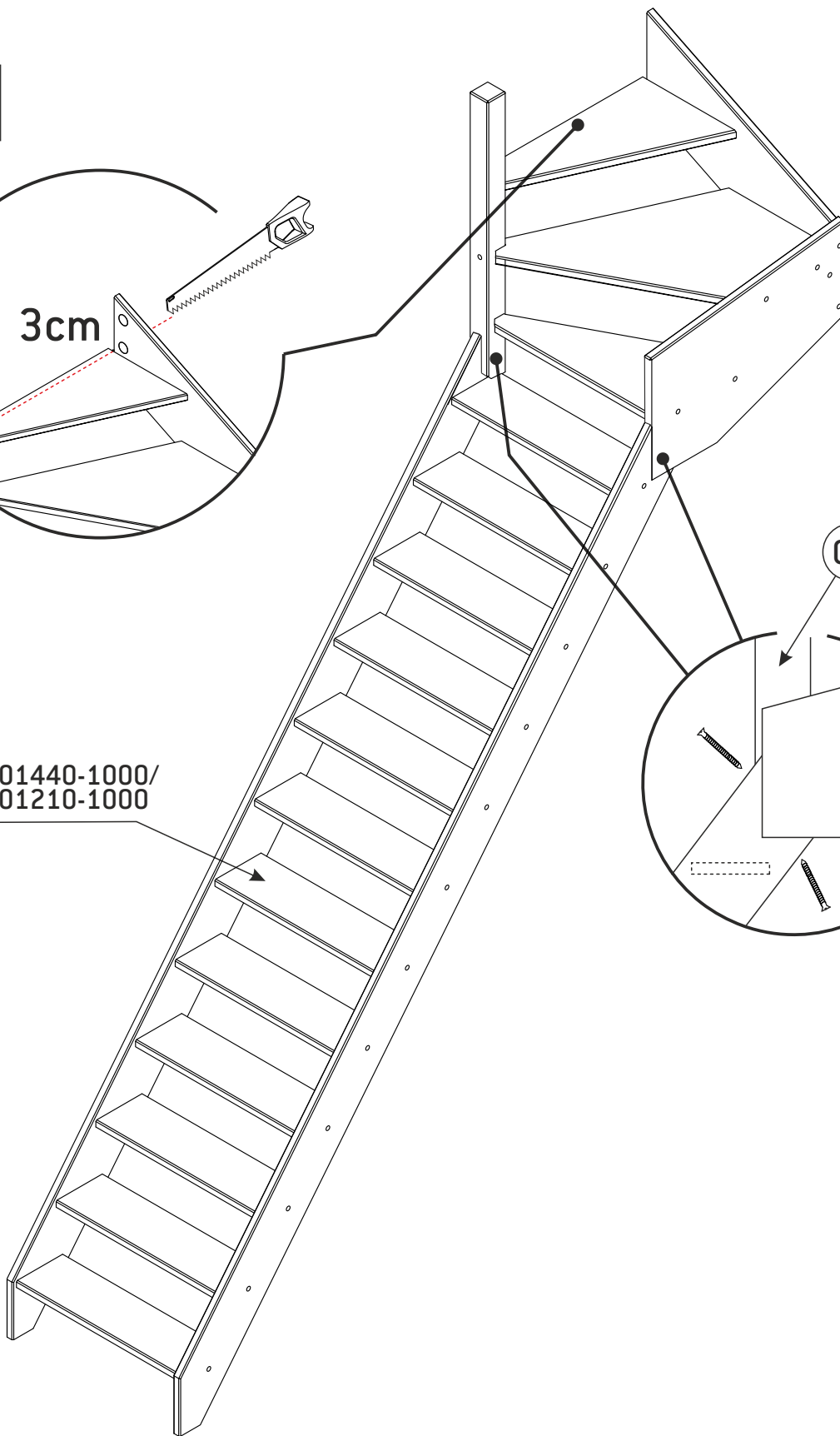


**4**



3cm

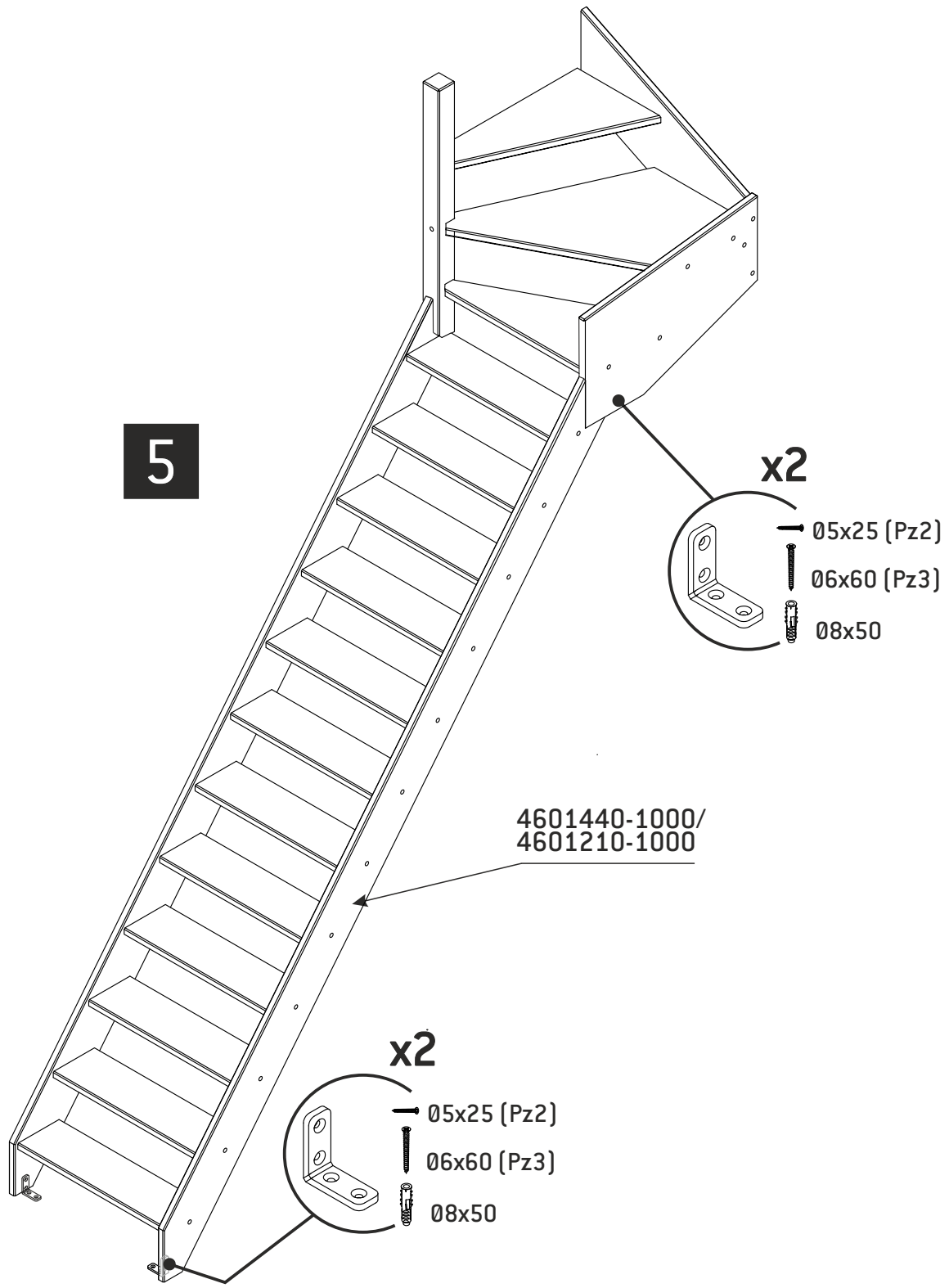
4601440-1000/  
4601210-1000



**5**

06

04



**5**

**x2**

- 05x25 (Pz2)
- 06x60 (Pz3)
- 08x50

4601440-1000/  
4601210-1000

**x2**

- 05x25 (Pz2)
- 06x60 (Pz3)
- 08x50