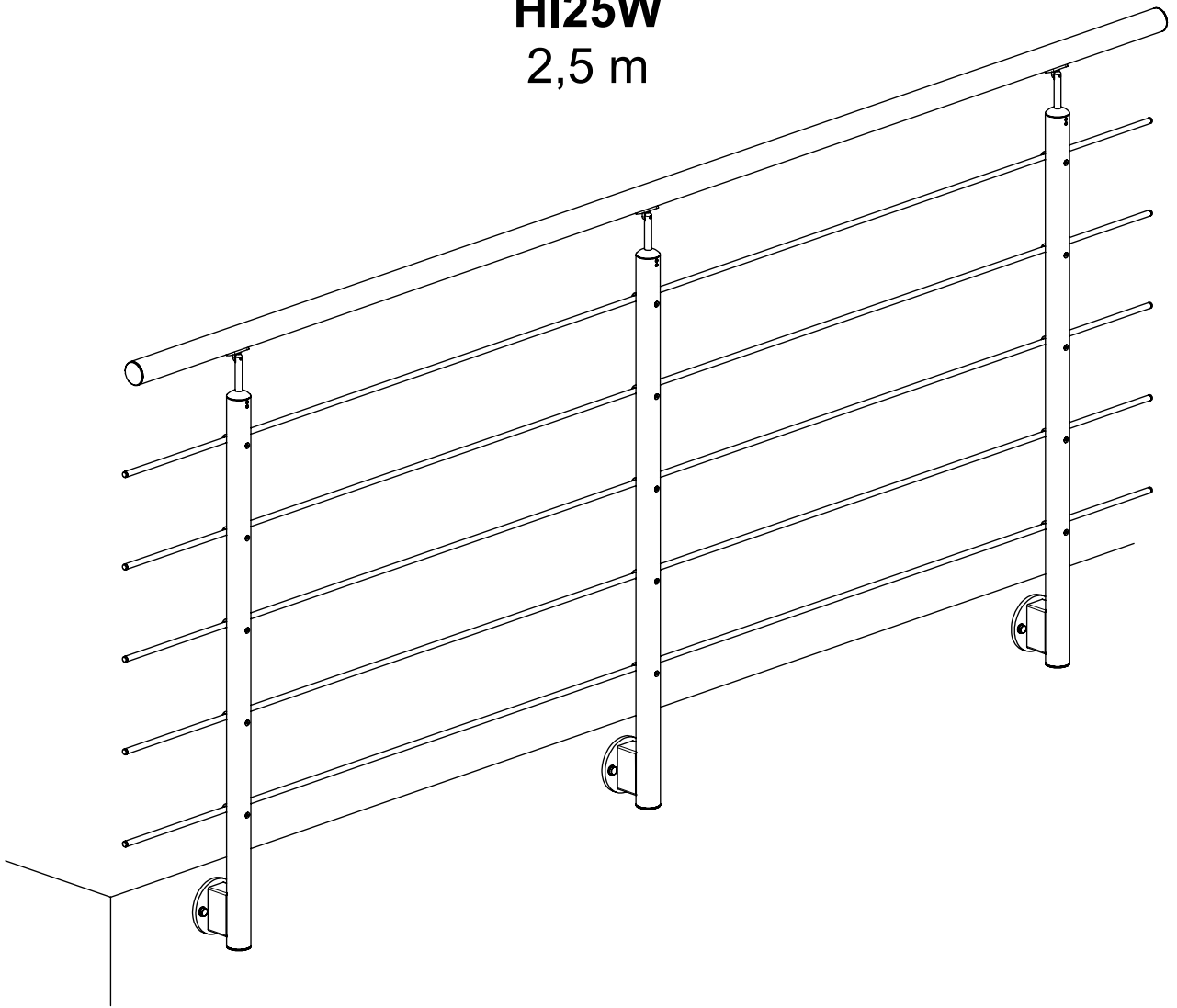


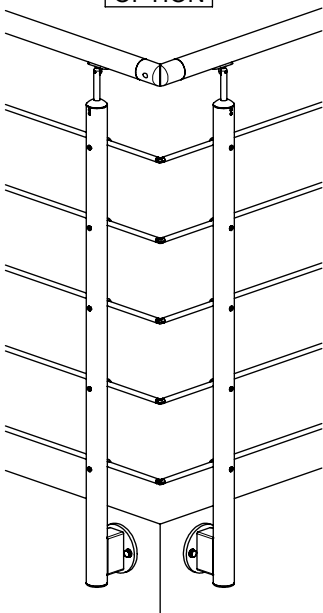
# HI25W

2,5 m



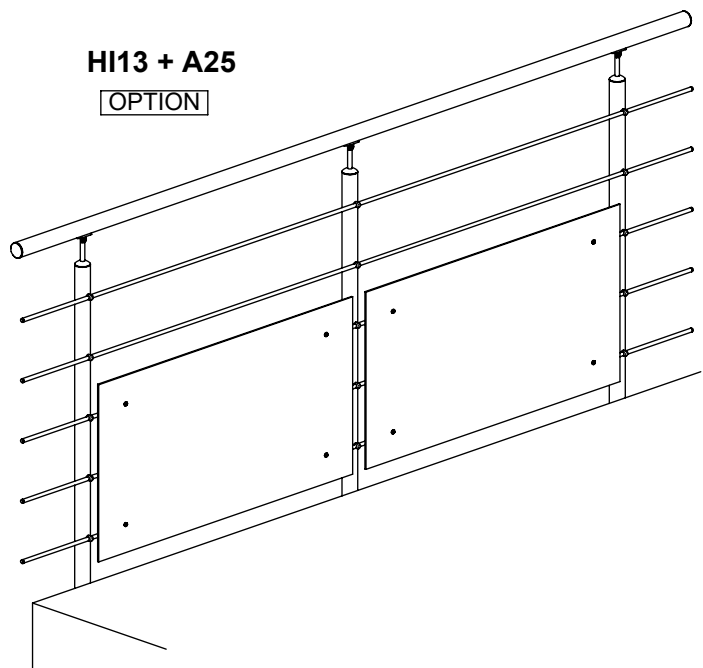
## HIC

OPTION

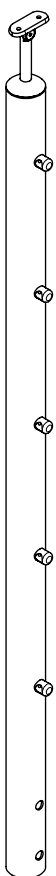



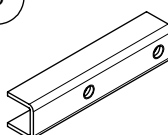

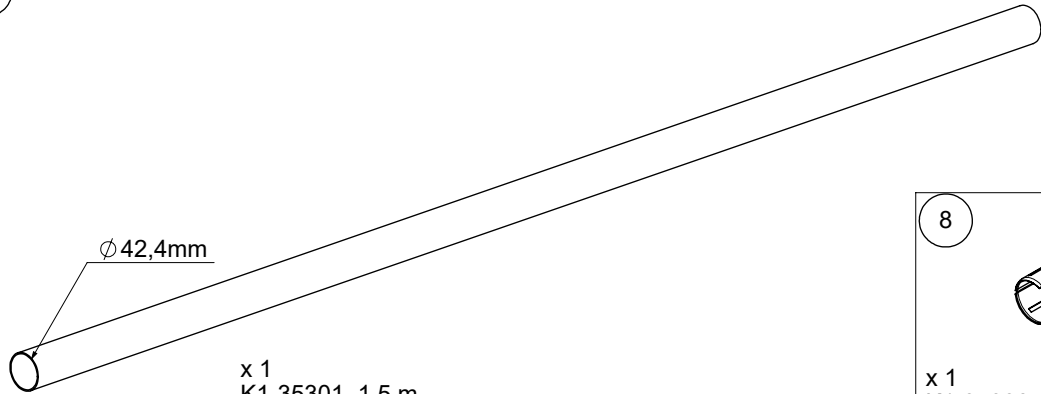

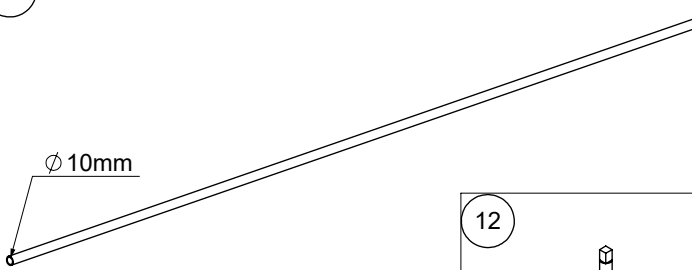








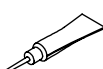
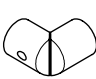

## HI13 + A25





OPTION

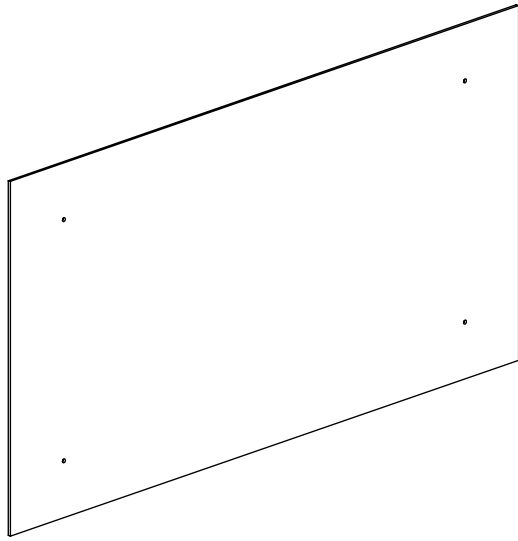


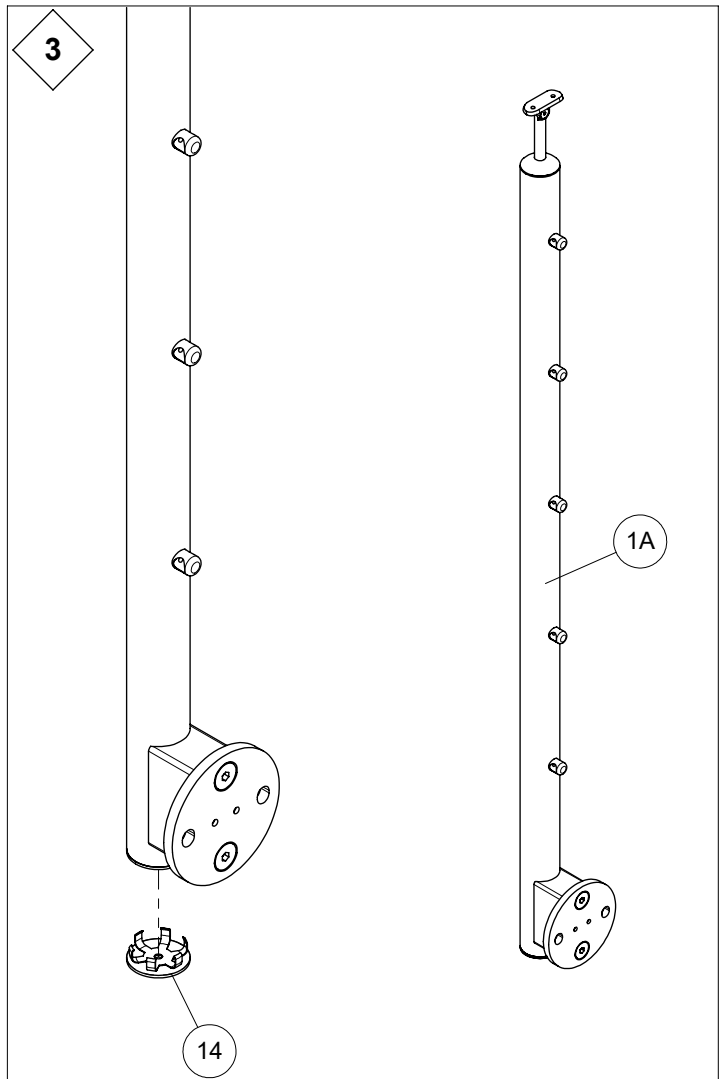
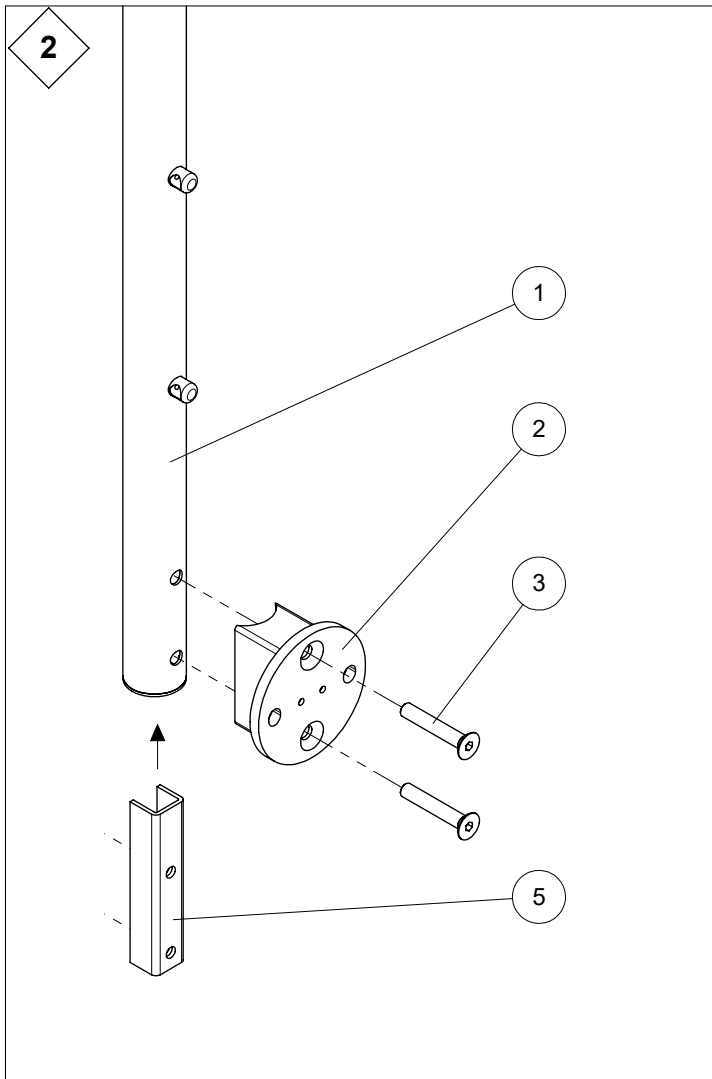
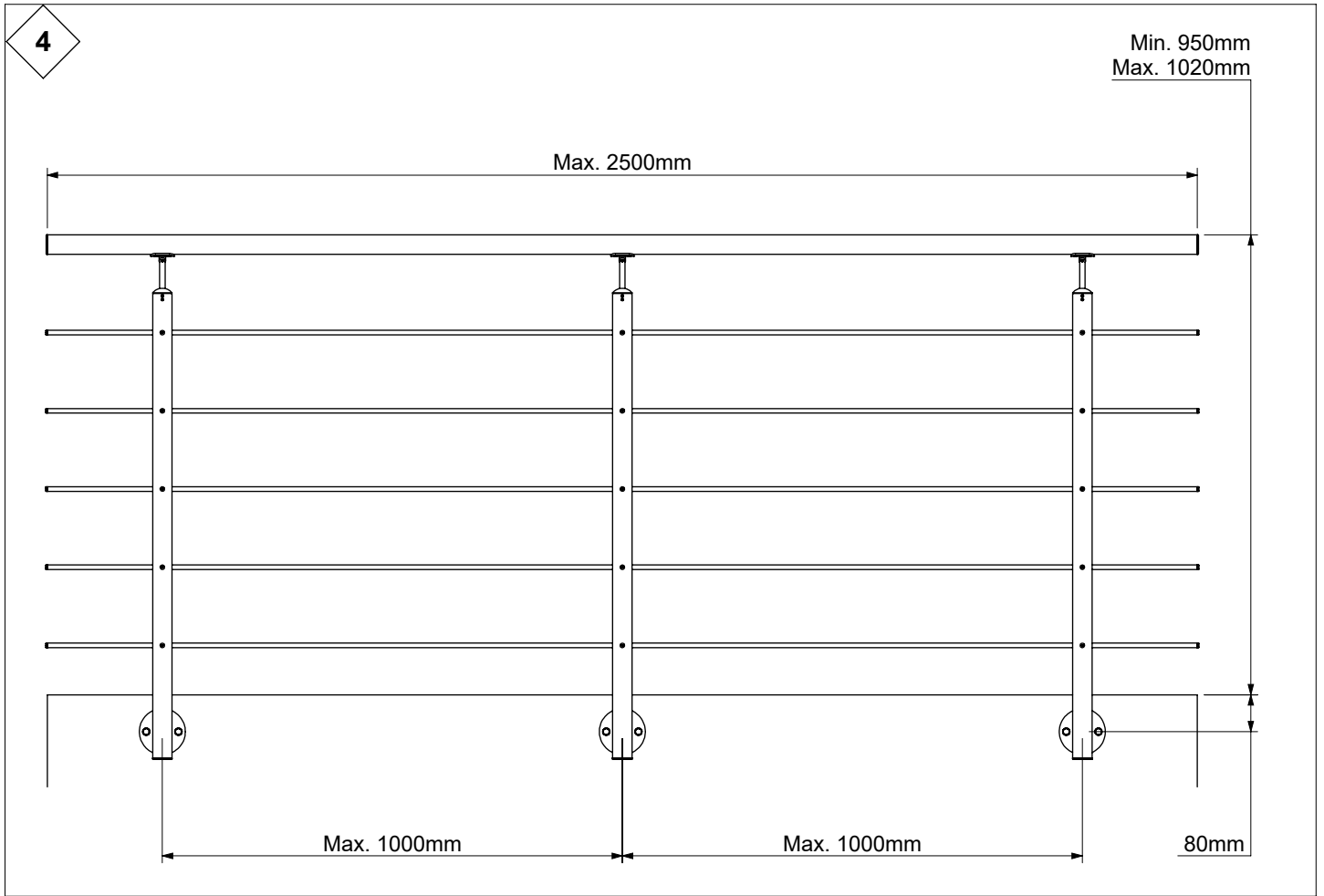
# HI25W

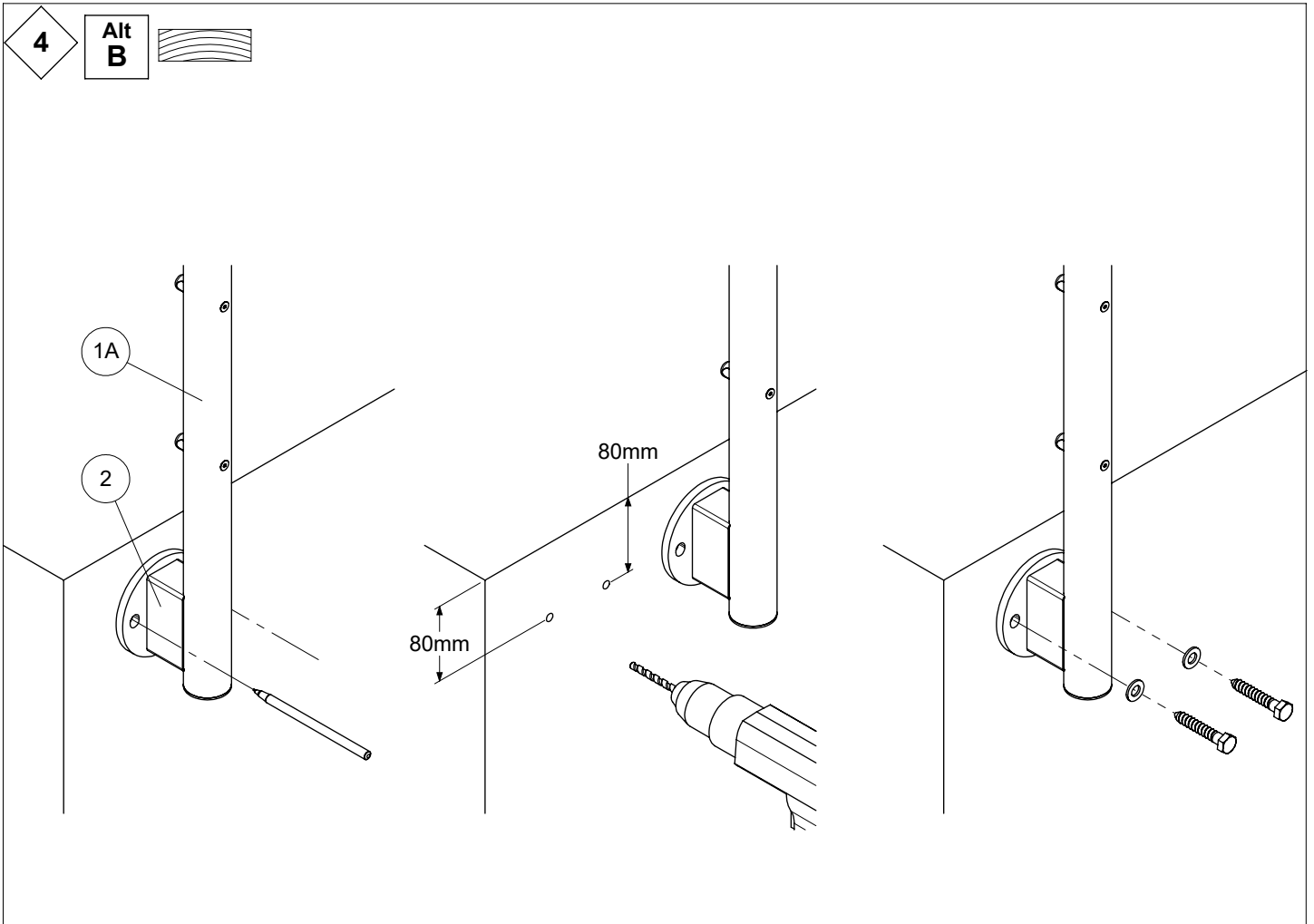
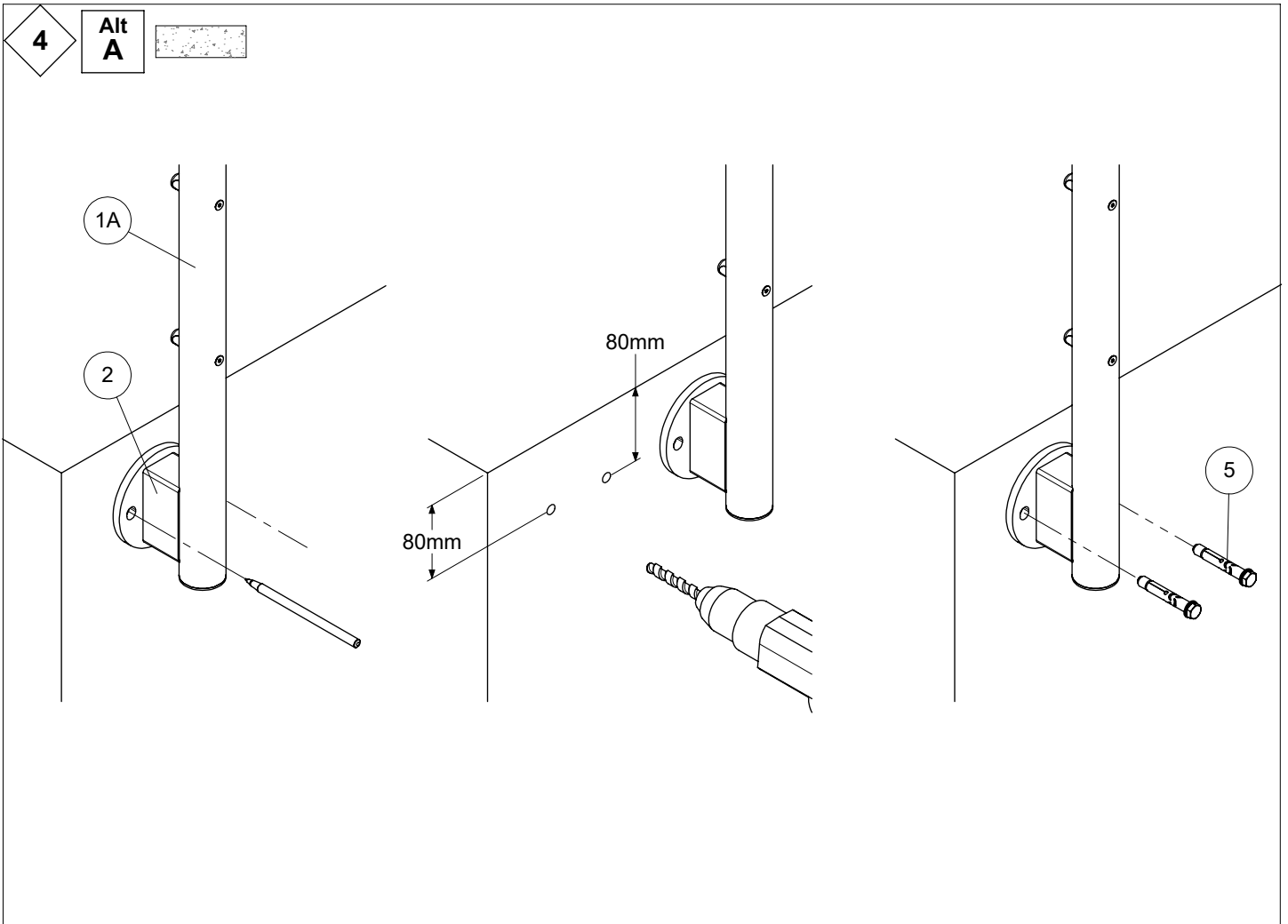
|   |  |   |   |  |  |
|---|--|---|---|--|--|
| <p>1</p>  <p>x 3<br/>K2-1085920</p>                     | <p>2</p>  <p>x 3<br/>K2-1085921</p> | <p>3</p>  <p>x 6<br/>K3-02146<br/>M10 x 60</p> | <p>4</p>  <p>x 2<br/>K1-35311</p>      | <p>5</p>  <p>x 2<br/>K1-94515</p> | <p>6</p>  <p>x 6<br/>K3-02042<br/>M4 x 12</p> |
| <p>7</p>  <p>∅ 42,4mm</p> <p>x 1<br/>K1-35301 1,5 m</p> |  | <p>8</p>  <p>x 1<br/>K1-35330</p>            |   |  |  |
| <p>9</p>  <p>∅ 10mm</p> <p>x 5<br/>K1-18049 1,5 m</p>  |  | <p>10</p>  <p>x 5<br/>K1-1092201</p>         | <p>11</p>  <p>x 10<br/>K1-18099</p>  |  |  |
| <p>12</p>  <p>x 1<br/>K3-10014<br/>M4</p>              |  | <p>13</p>  <p>x 1<br/>K3-90001</p>         | <p>14</p>  <p>x 3<br/>K1-94505</p> |  |  |

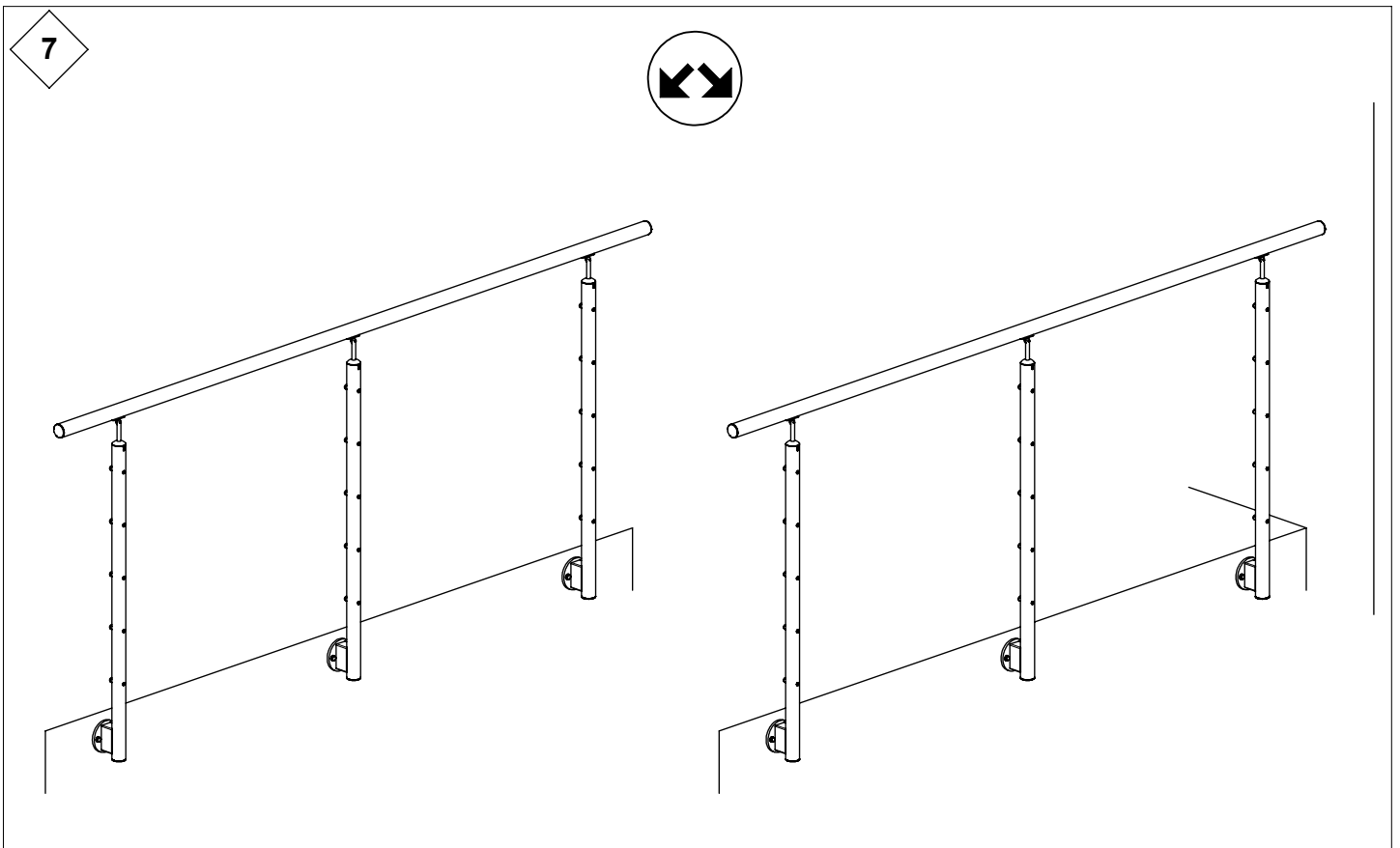
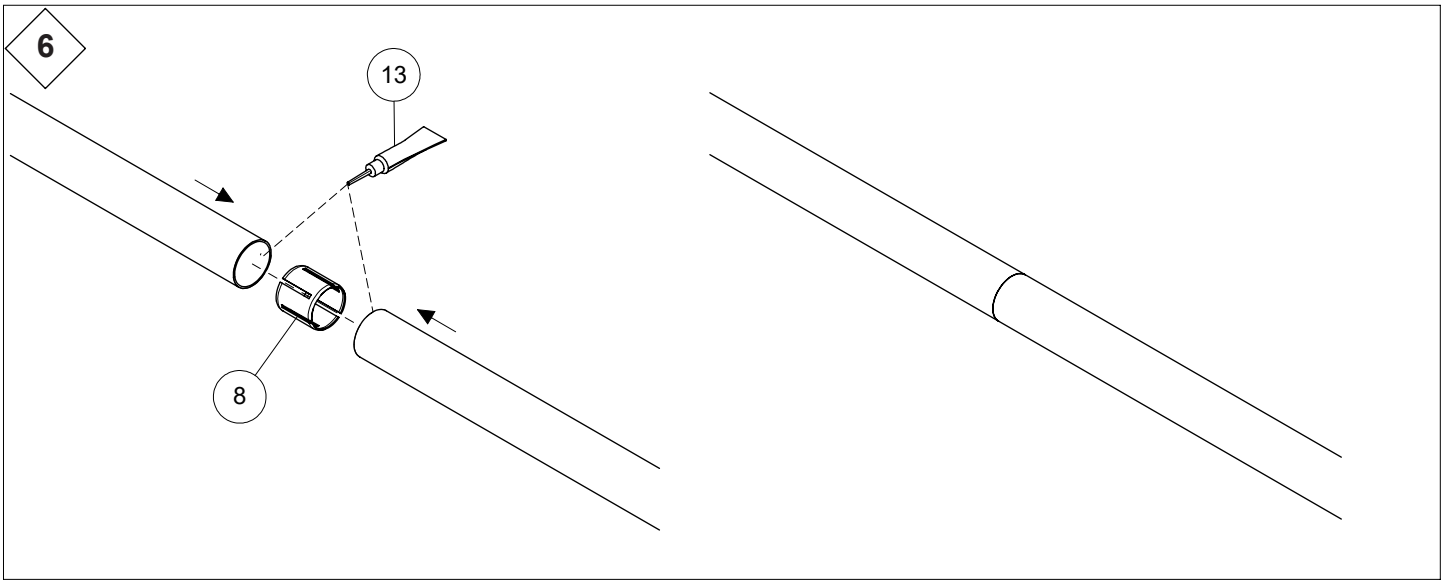
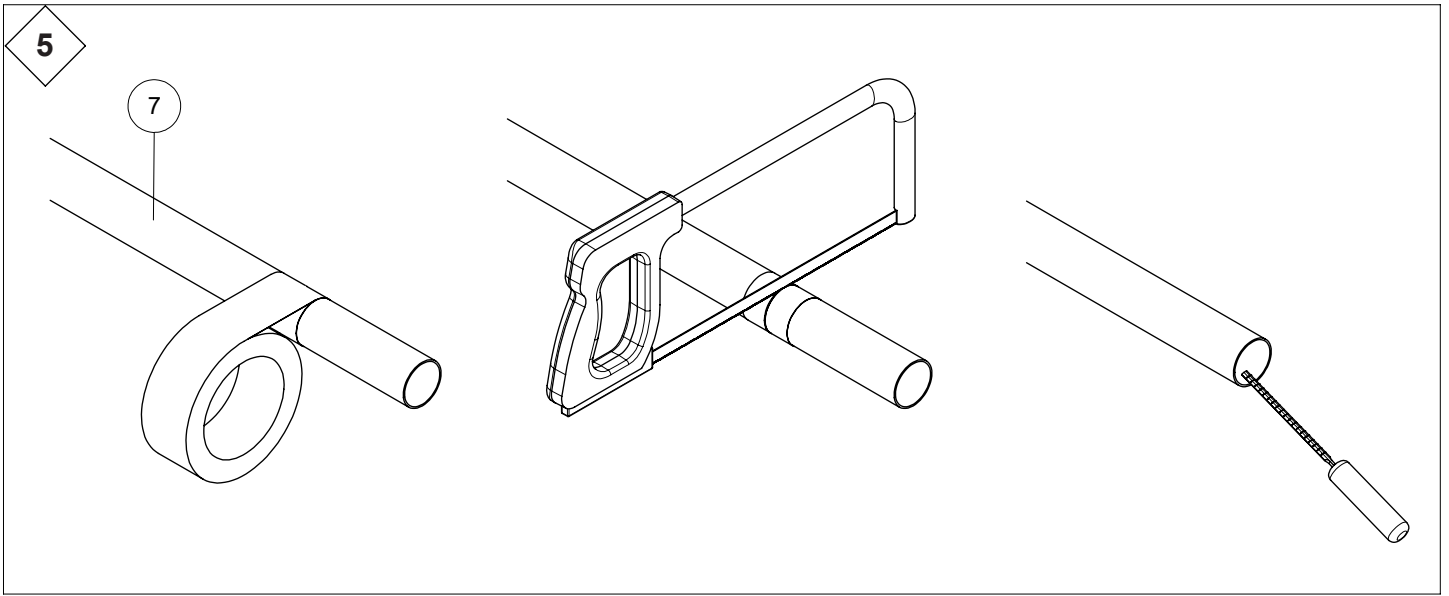
| HIC   |   |
|---|---|
| OPTION  |   |
| <p>8</p>  <p>x 2<br/>K1-35330</p>  | <p>13</p>  <p>x 1<br/>K3-90001</p> |
| <p>20</p>  <p>x 1<br/>K2-35340</p> | <p>21</p>  <p>x 5<br/>K2-35426</p> |

| HI13  |   |
|---|---|
| OPTION  |   |
| <p>30</p>  <p>x 4<br/>K1-1085998</p>           | <p>31</p>  <p>x 8<br/>K1-36047</p> |
| <p>32</p>  <p>x 4<br/>K3-02266<br/>M6 x 12</p> |                                    |

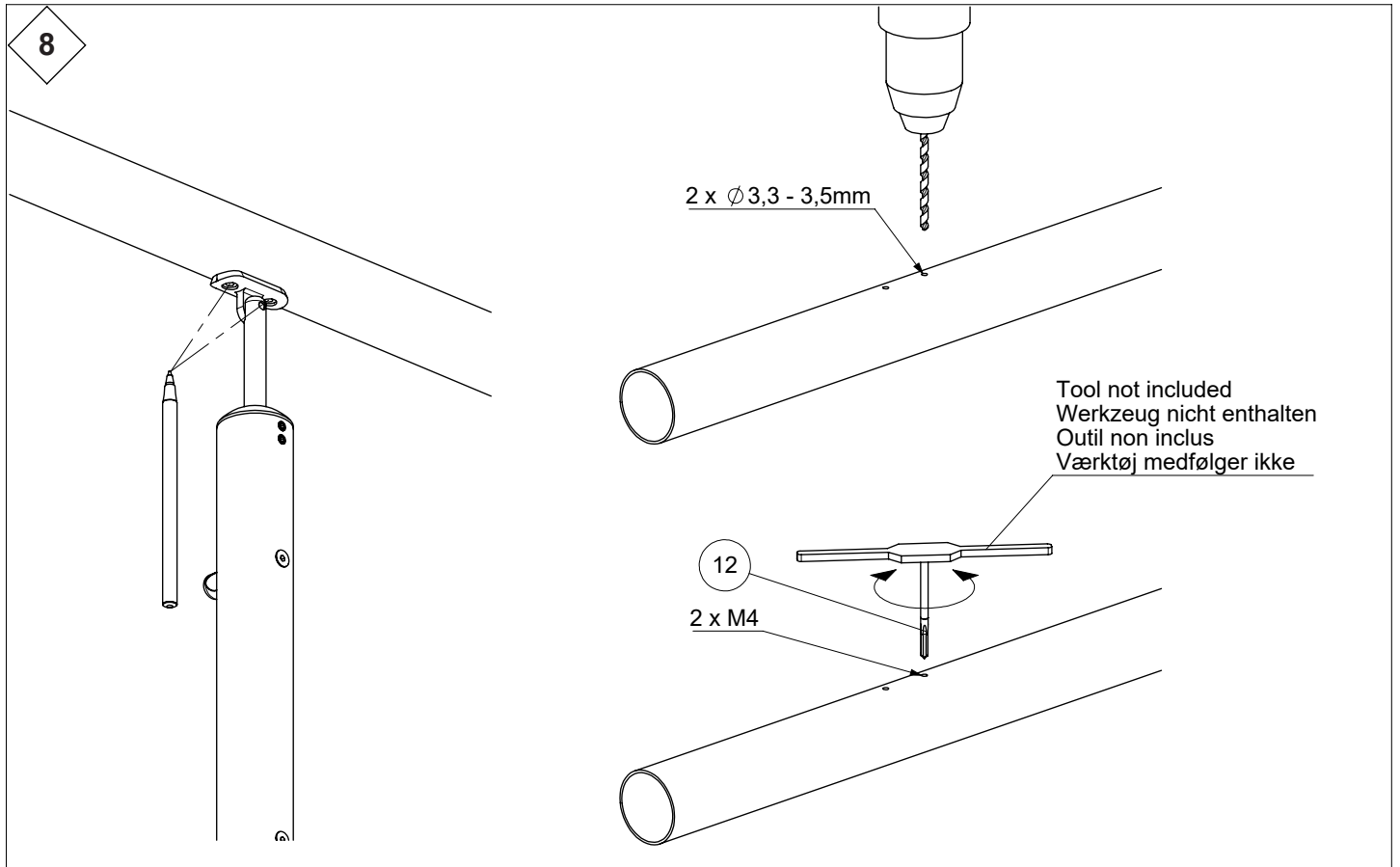
| A25  |  |
|--|--|
| OPTION   |  |
|  <p>Verre acrylique<br/>Ackrylglas<br/>Vidrio acrílico</p> |  |



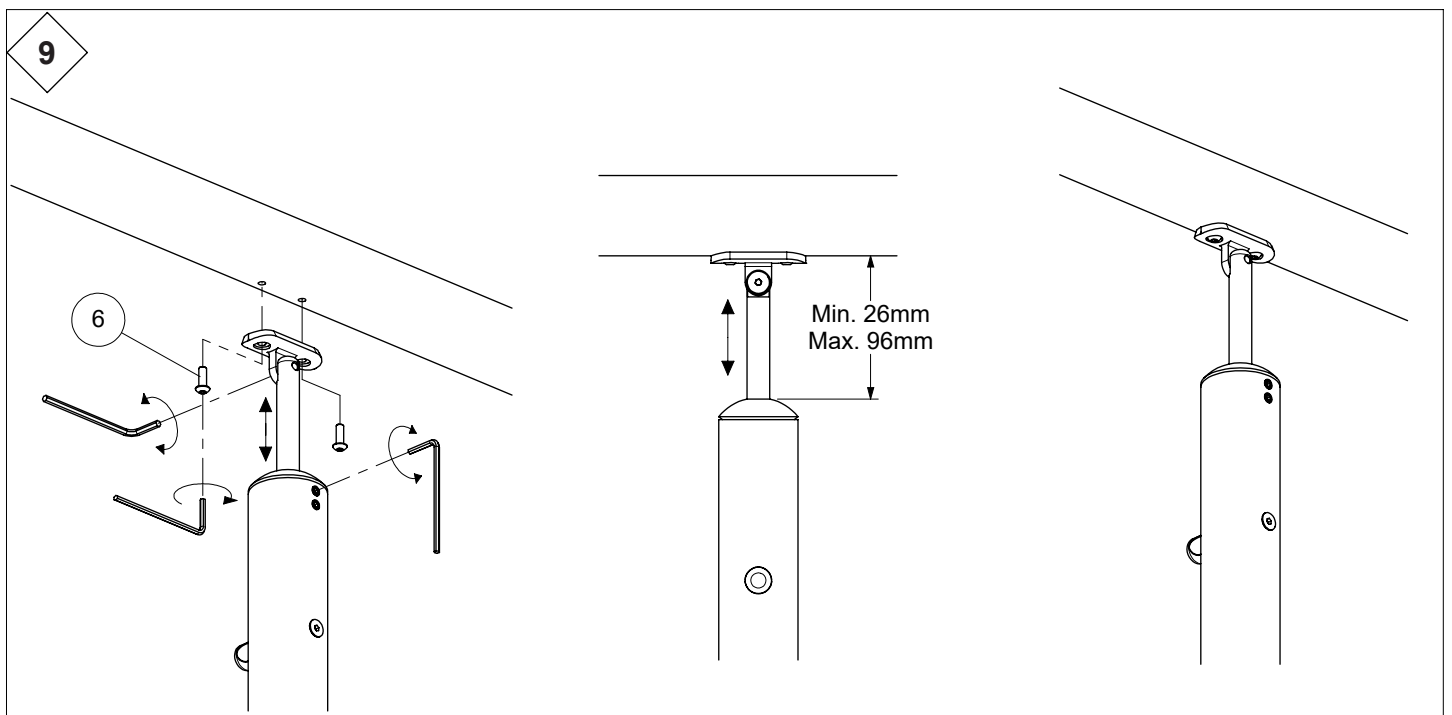




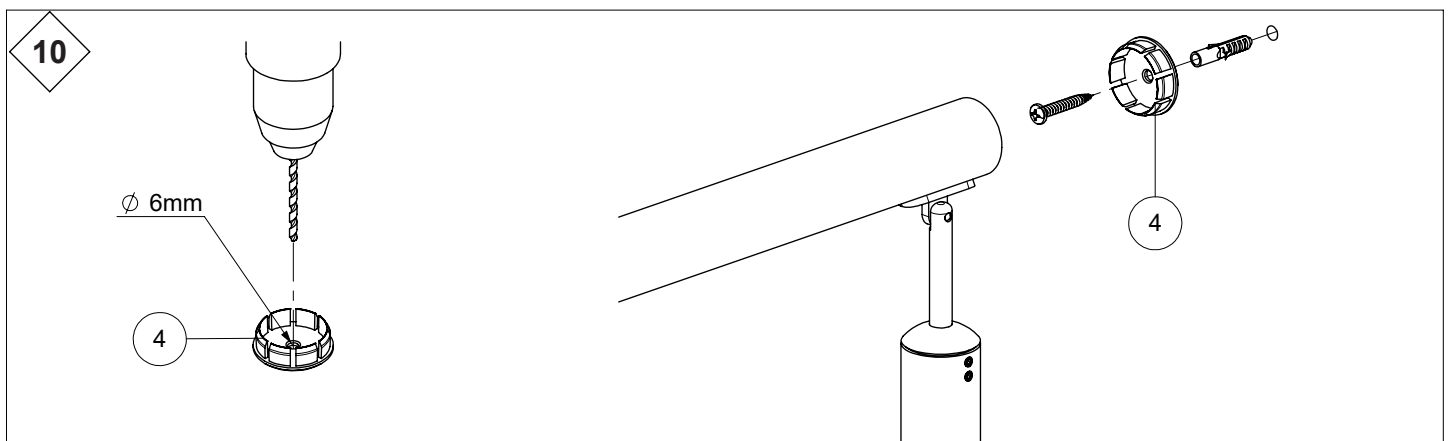
8

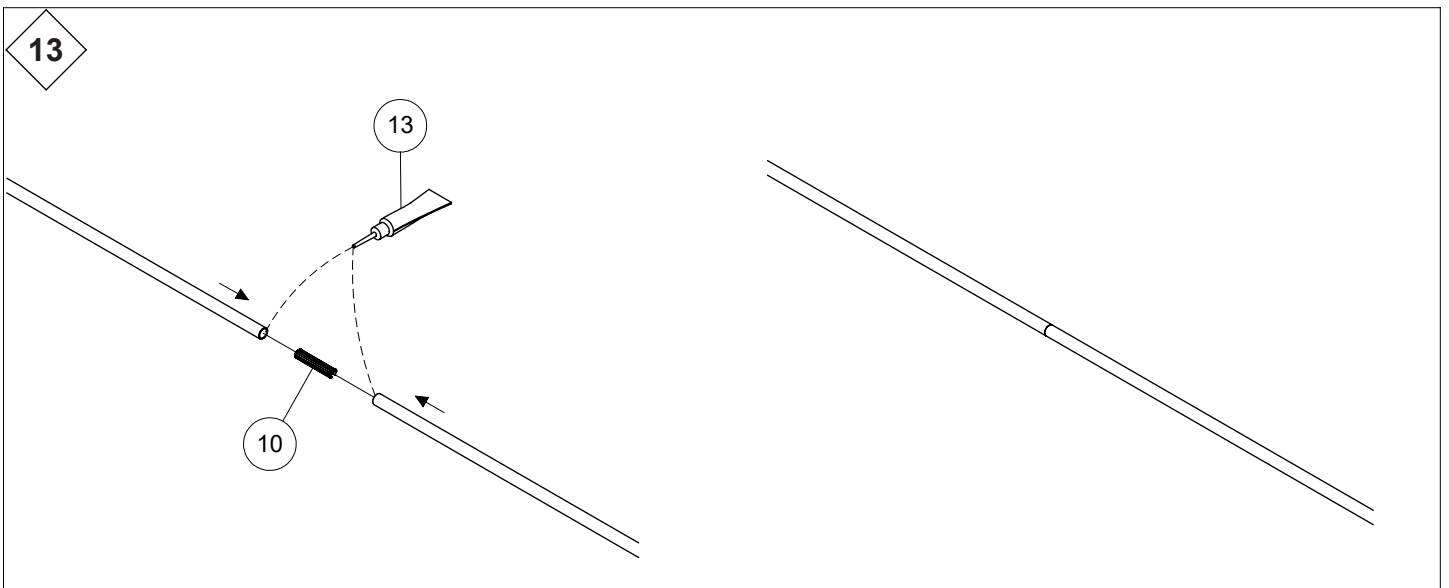
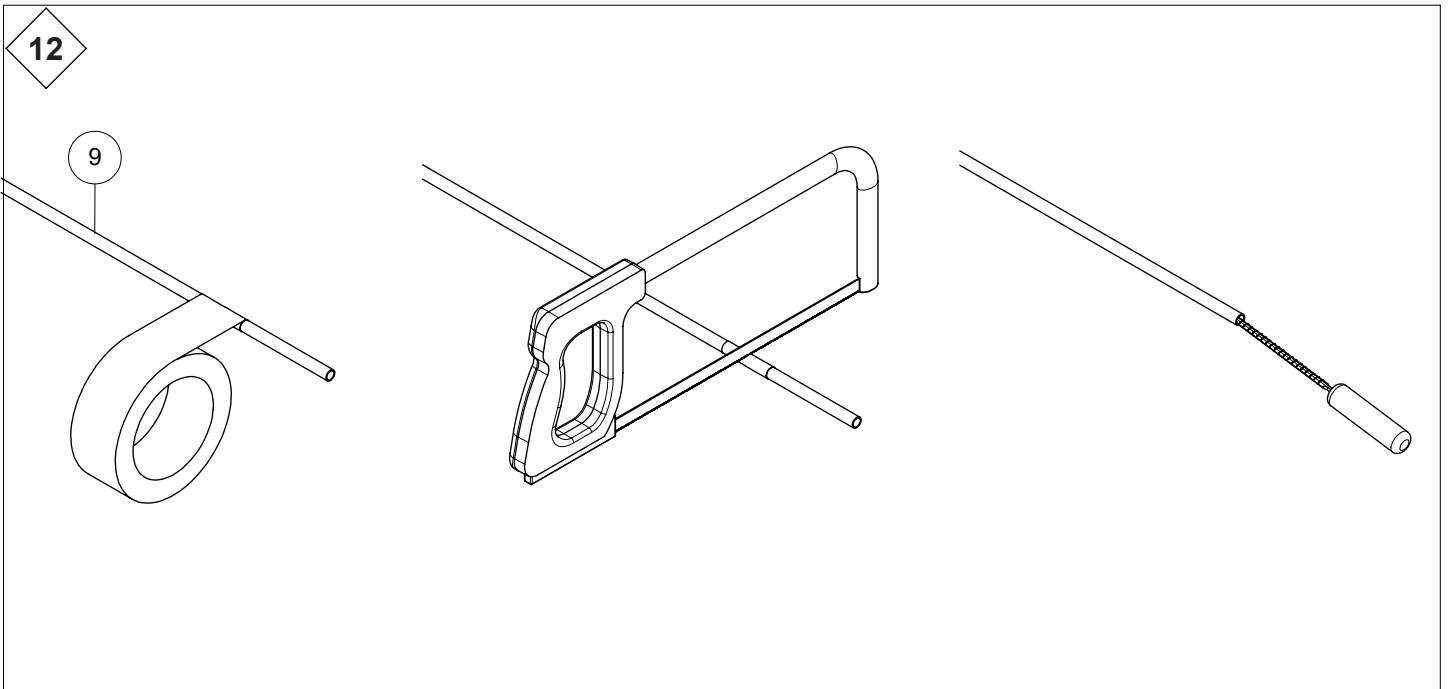
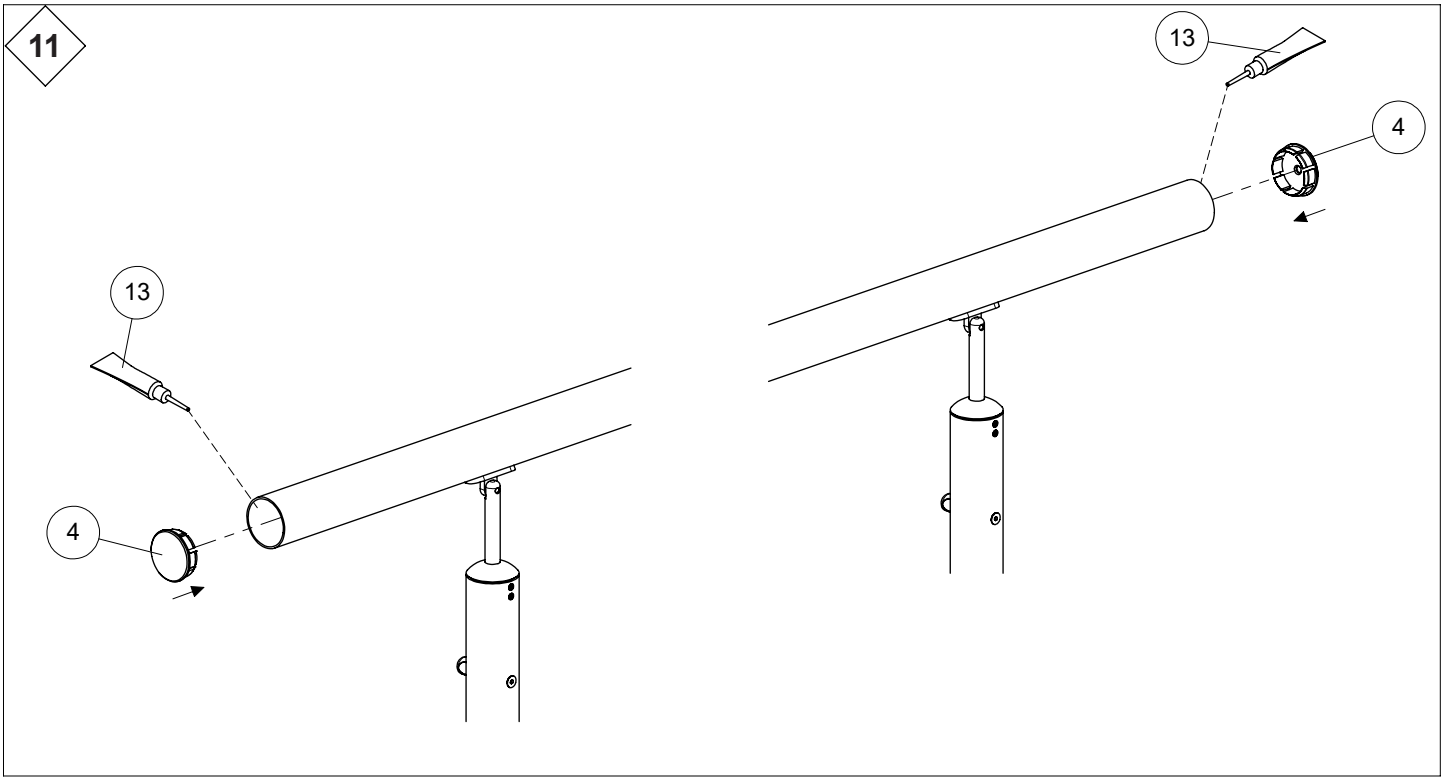


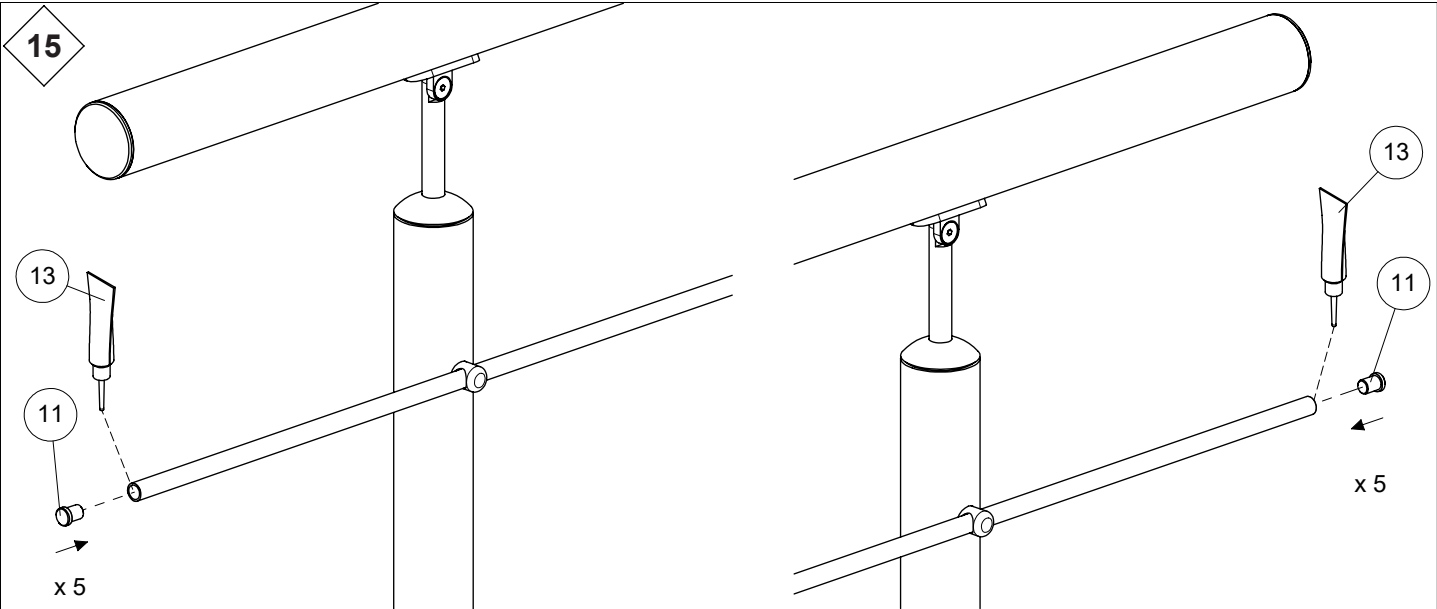
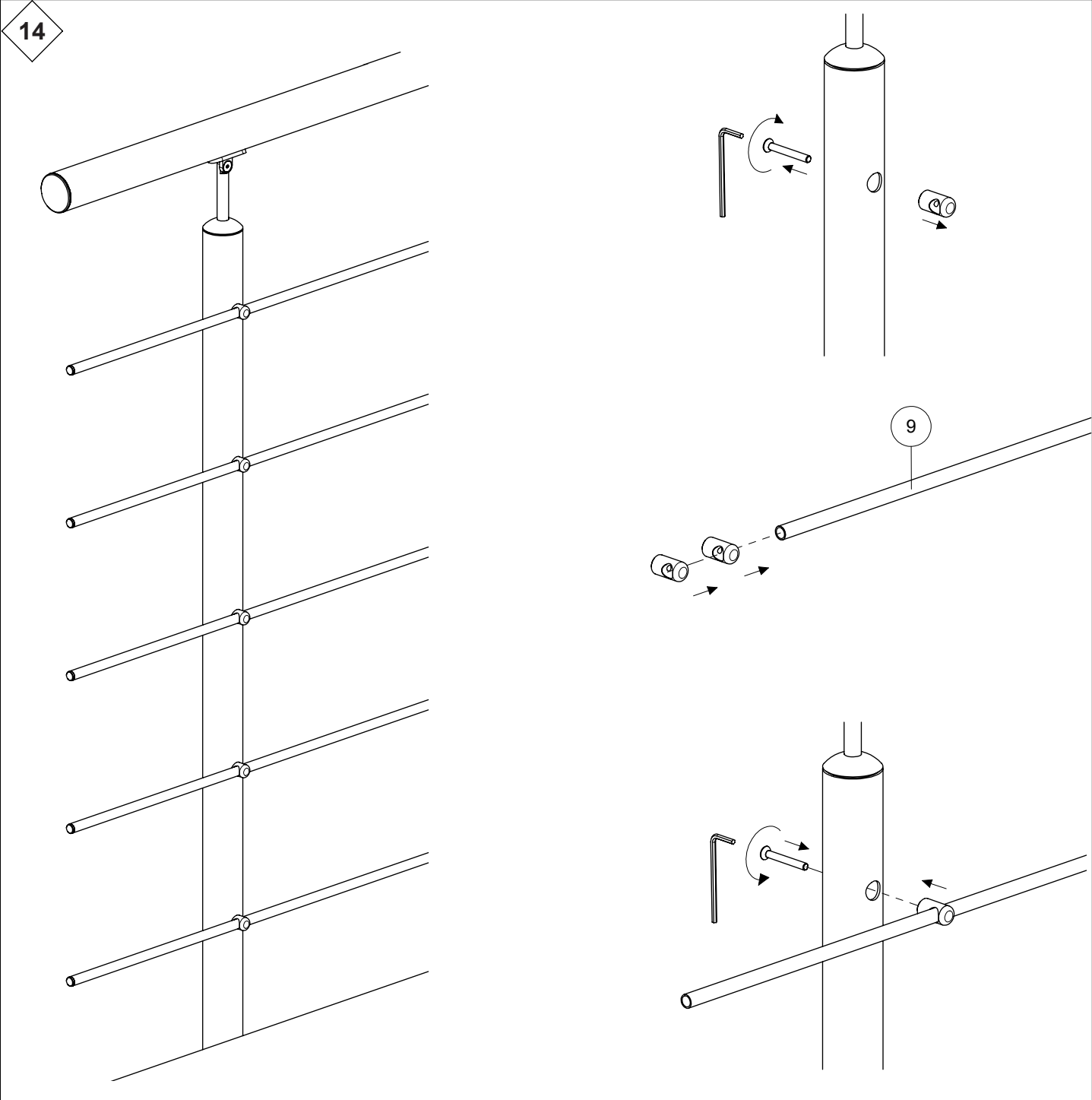
9



10

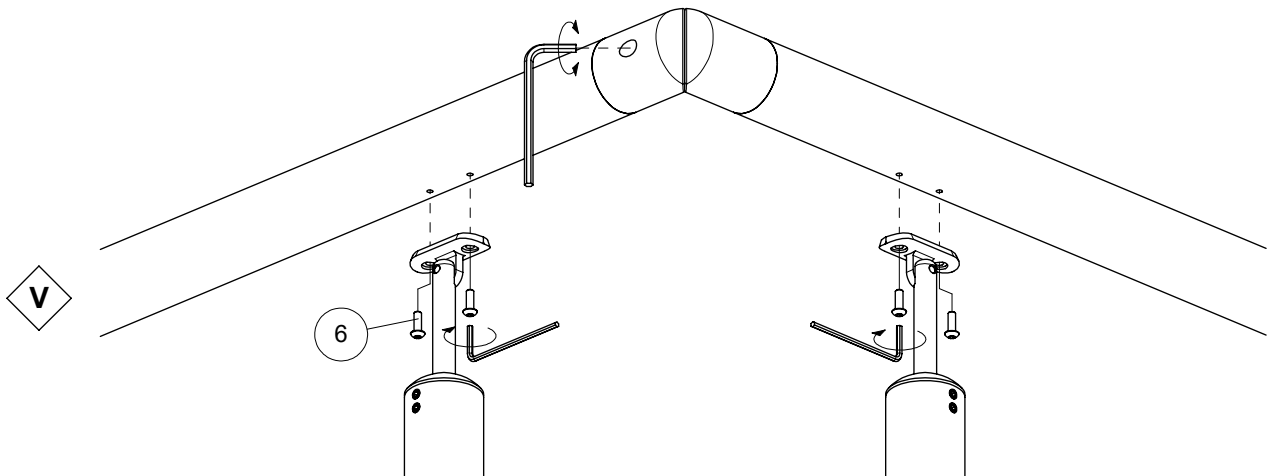
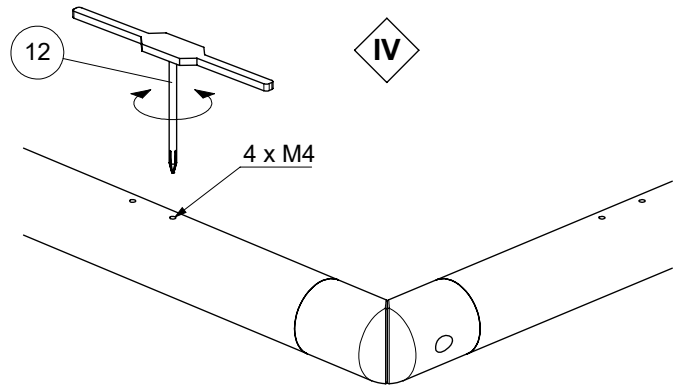
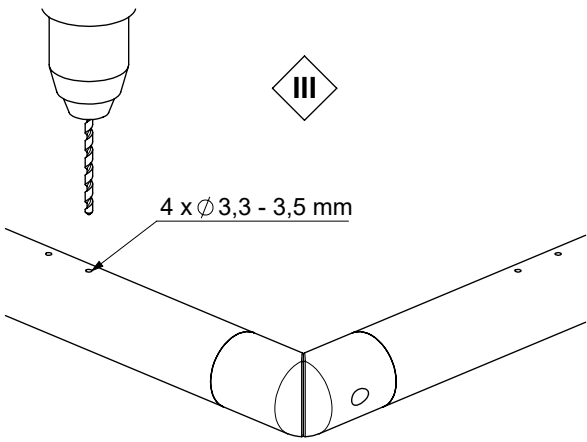
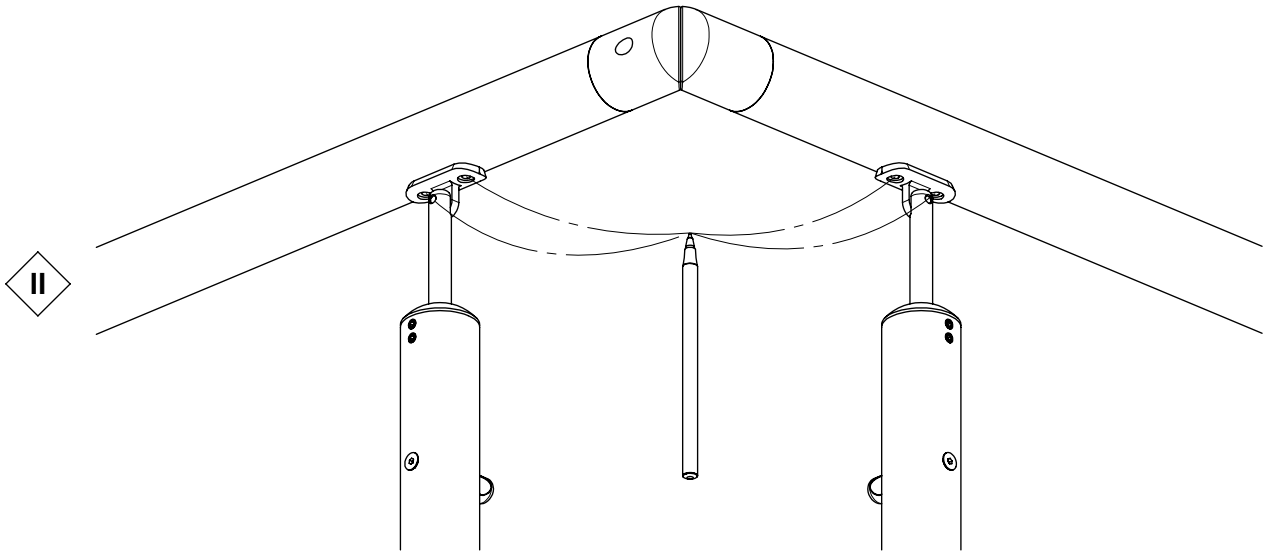
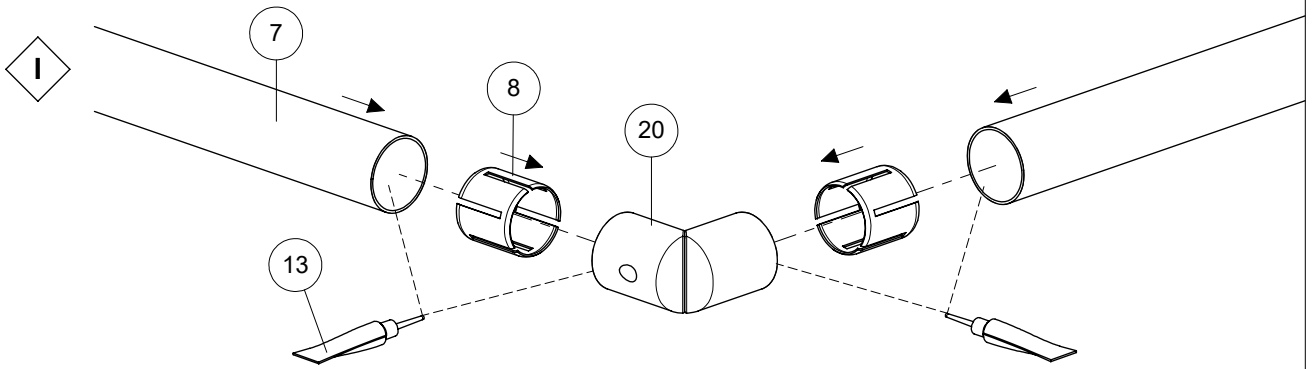








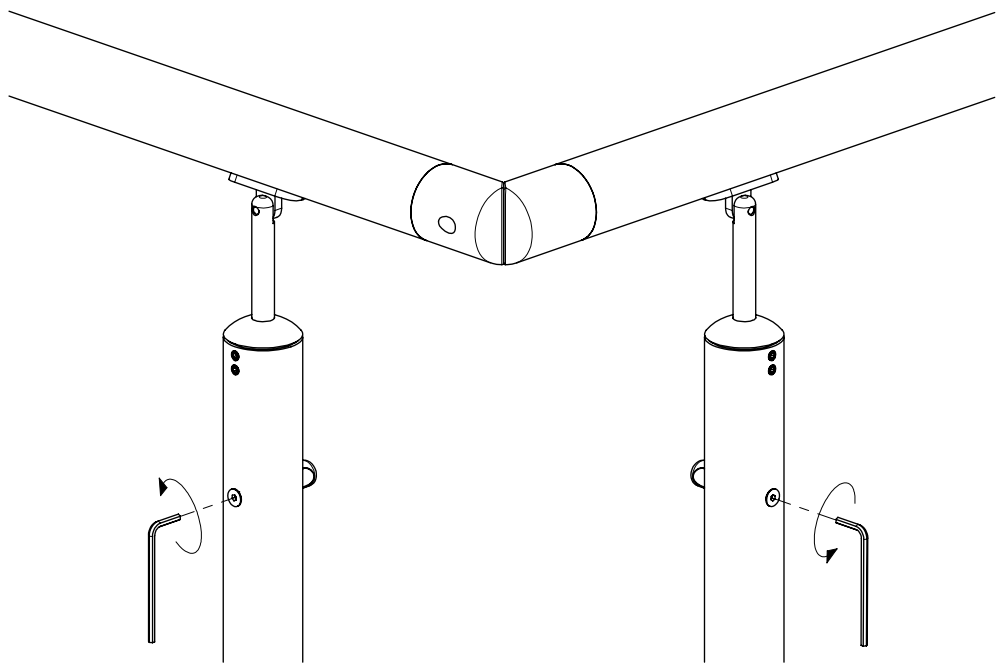
**16** HIC  
OPTION



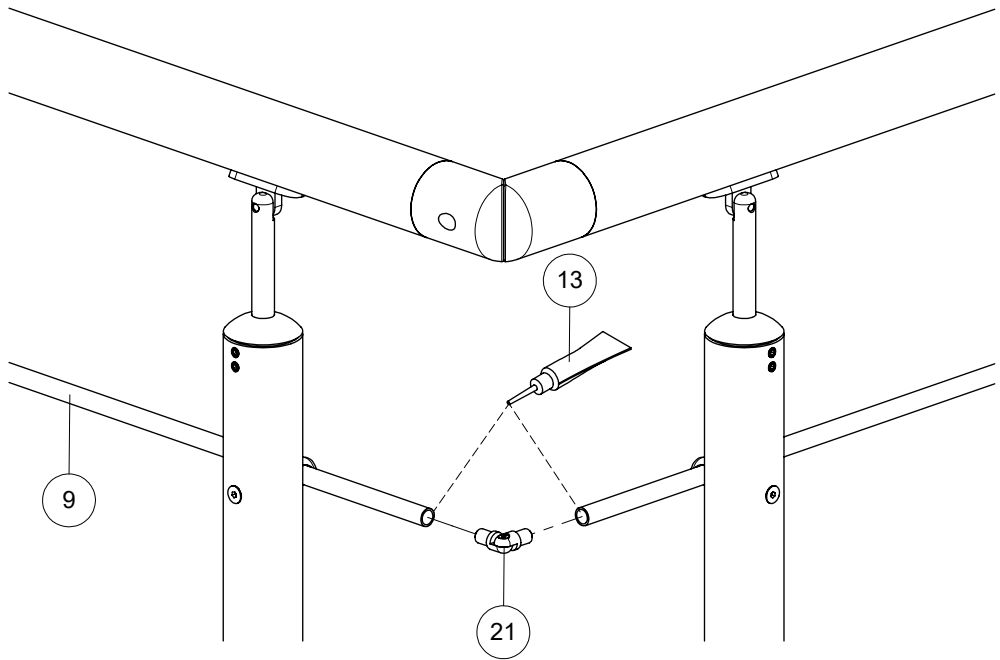
17

HIC  
OPTION

I



II



III

