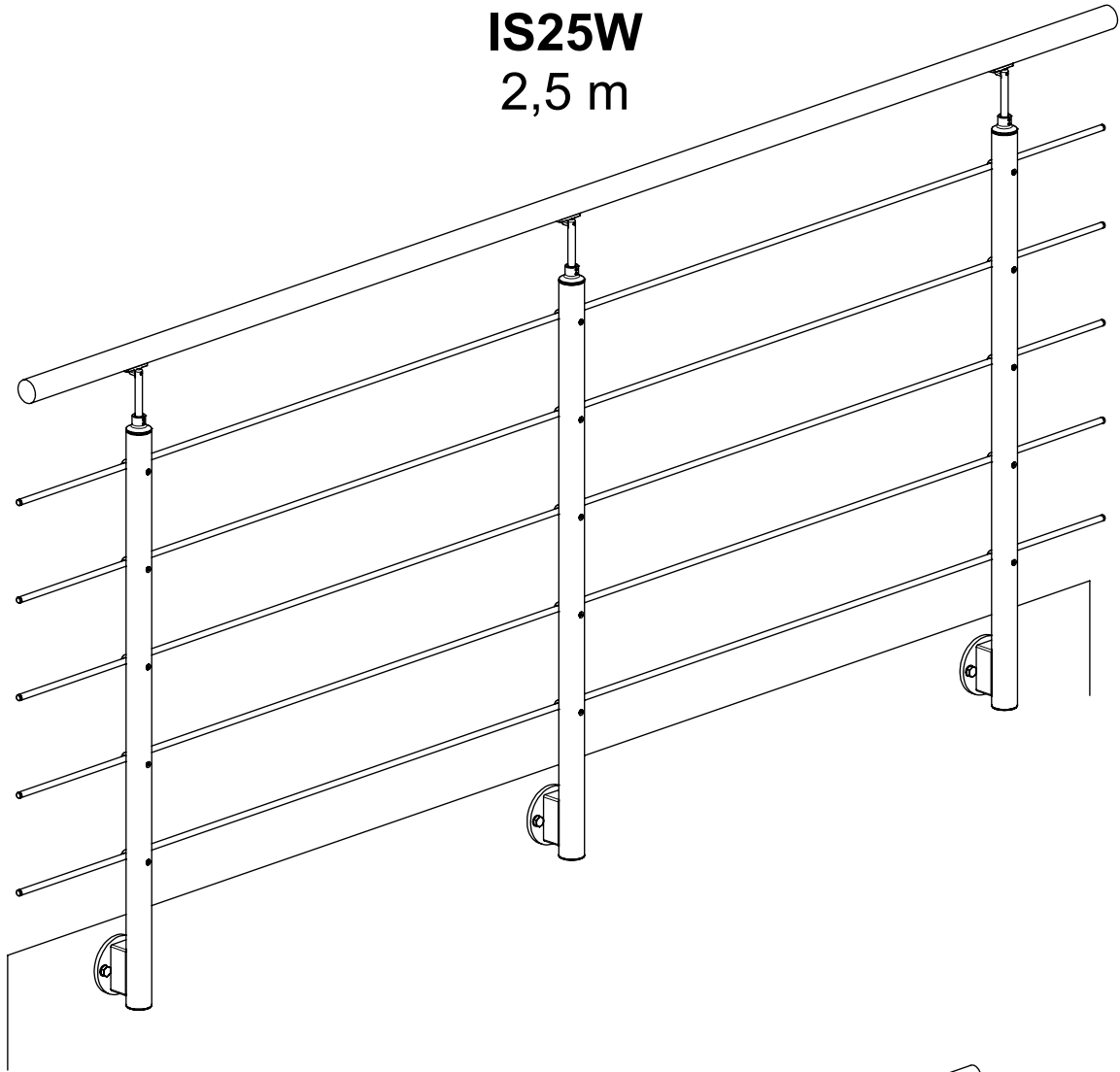
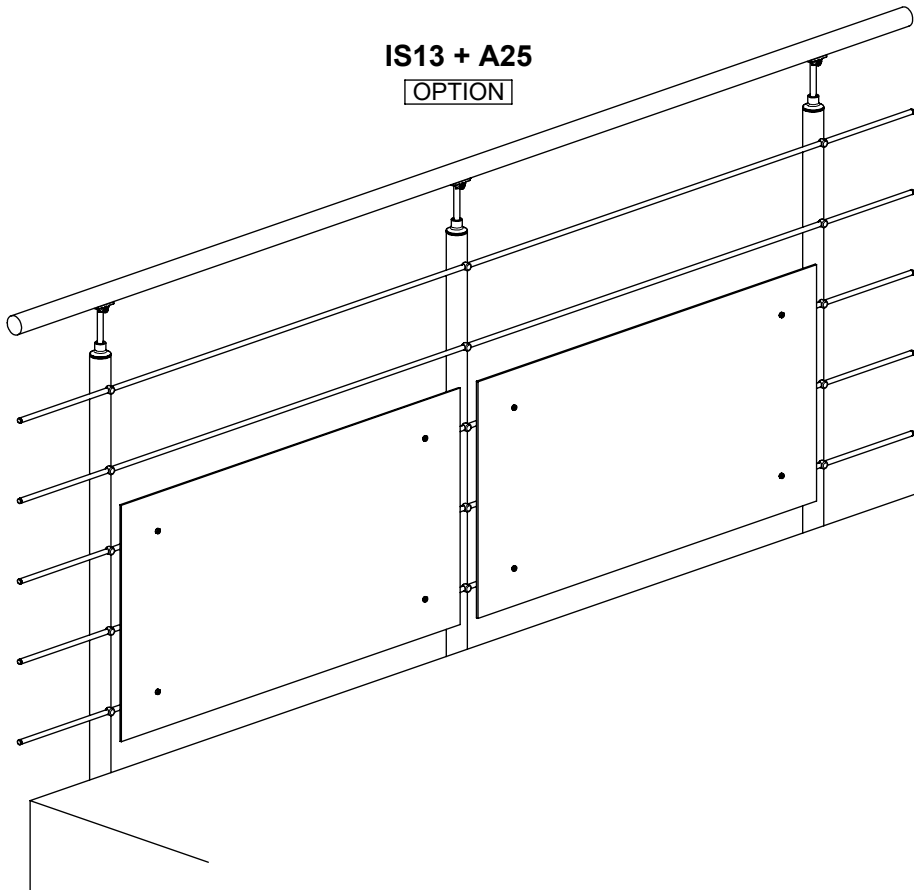








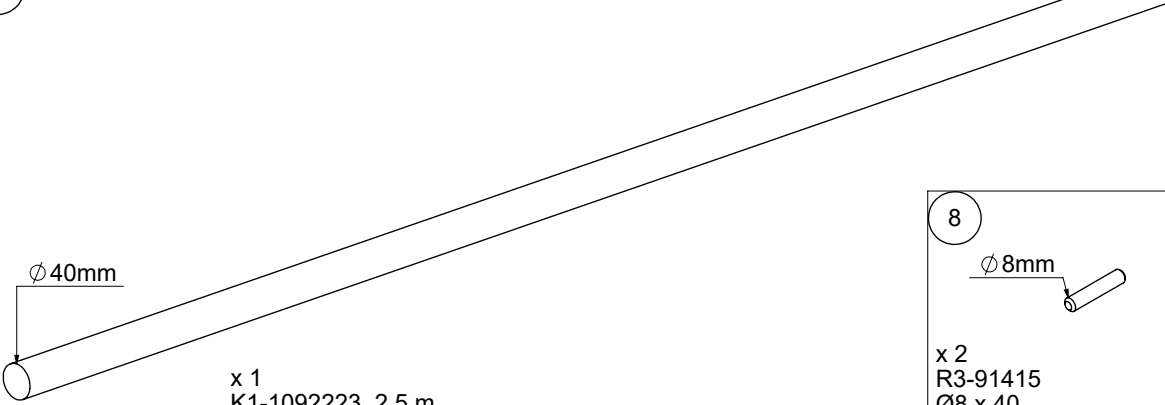
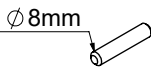
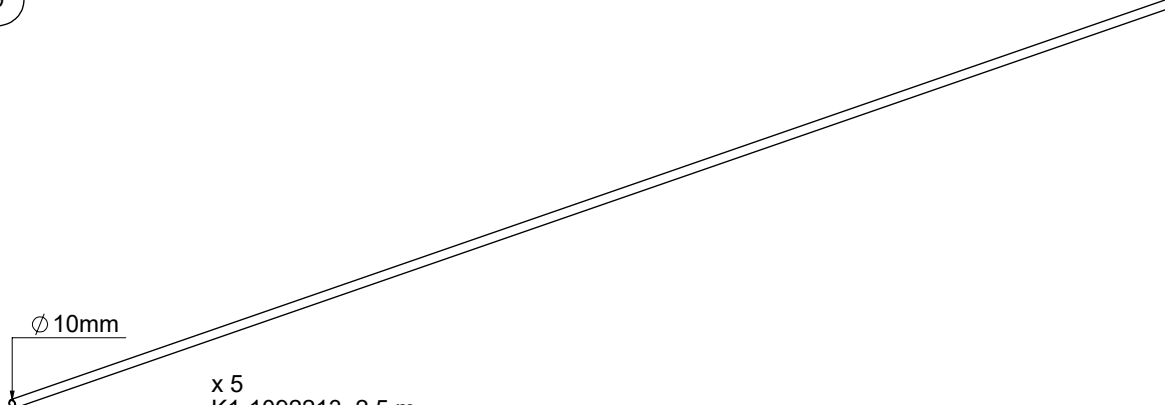


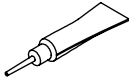

IS25W
2,5 m



IS13 + A25
OPTION




IS25W

<p>1</p> 	<p>2</p>  <p>x 3 K2-1092318</p>	<p>3</p>  <p>x 3 K1-94515</p>	<p>4</p>  <p>x 3 K2-1092325</p>	<p>5</p>  <p>x 6 K3-02146 M10 x 60</p>	<p>6</p>  <p>x 6 K3-06022 Ø5 x 35</p>
<p>7</p>  <p>Ø40mm</p> <p>x 1 K1-1092223 2,5 m</p>					
<p>9</p>  <p>Ø10mm</p> <p>x 5 K1-1092213 2,5 m</p>					
<p>10</p>  <p>x 5 K1-1092201 Ø8 x 40</p>	<p>11</p>  <p>x 1 K5-36110T Ø40</p>	<p>13</p>  <p>x 1 K3-90001</p>	<p>14</p>  <p>x 10 K1-01010</p>	<p>15</p>  <p>x 3 K3-02128 M5 x 10</p>	

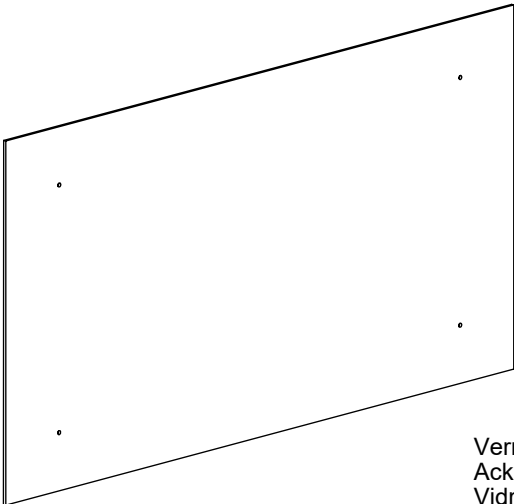
IS13
OPTION

30



x 4
K2-1092330

A25
OPTION



Verre acrylique
Ackrylglas
Vidro acrílico

