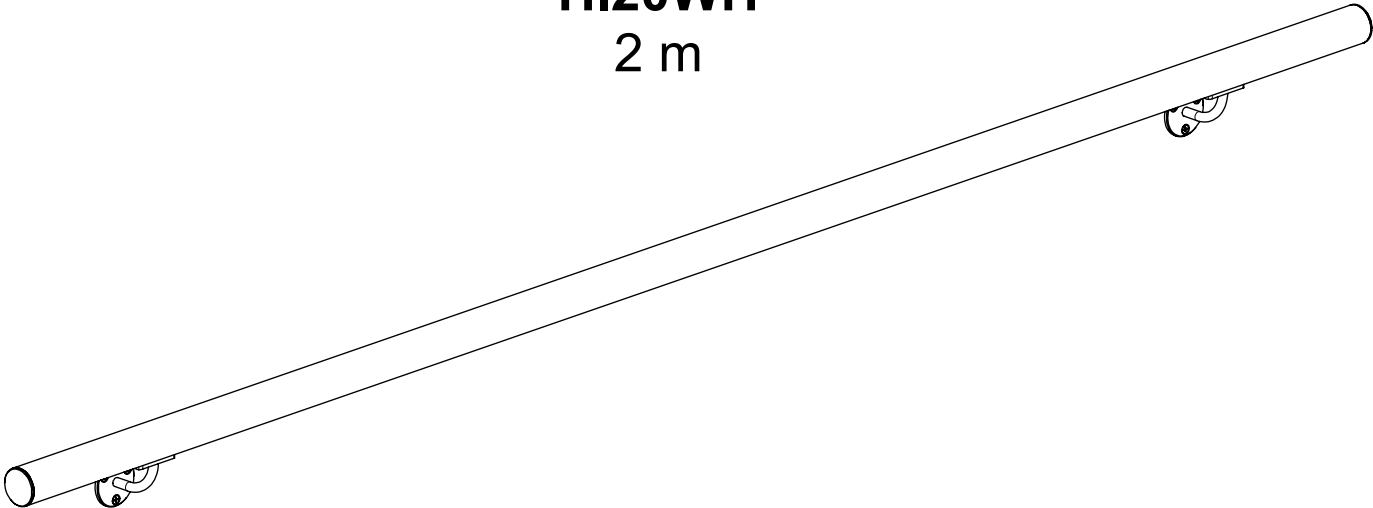


HI20WH

2 m

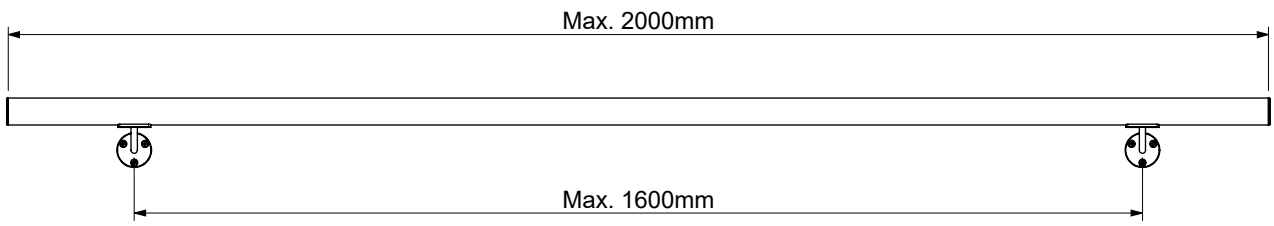


HI20WH				
7	<p>$\varnothing 42,4\text{mm}$</p>	8	<p>x 1 K1-35330</p>	
<p>x 1 K1-35302 2,0 m</p>		12	<p>x 1 K3-10014 M4</p>	13

HI5	
OPTION	
4	<p>x 2 K1-35311</p>

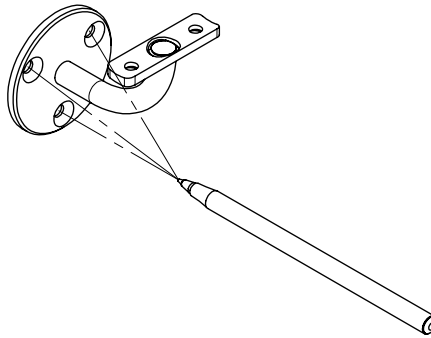
HI7							
OPTION							
2	<p>x 1 K2-35510</p>	6	<p>x 2 K3-02042 M4 x 12</p>	14	<p>x 3 K3-08002 $\varnothing 8 \times 40$</p>	15	<p>x 3 K3-06063 $\varnothing 5 \times 50$</p>

1

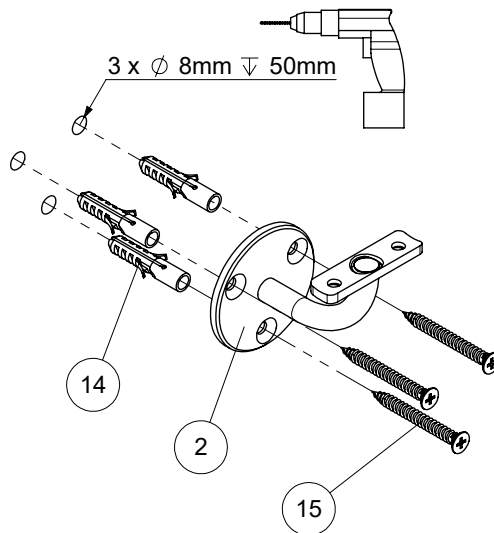


2

I



II



III

