

# Triac Bleeder TB01

## SCR Dimming Compensator



### Summary

Triac Bleeder TB01 adopts digital control technology, be used to solve the problem of LED light flicker when using TRIAC dimming. LED lighting is a capacitive load, when the brightness adjusted to the lowest, it is prone to TRIAC turn off because of the maintain current of TRIAC is too low, which lead to the LED lamps flicker. When the conduct angle is minimum, the main function of this product is to control and maintain the minimum output current, keep the TRIAC work stability.

### Product Features

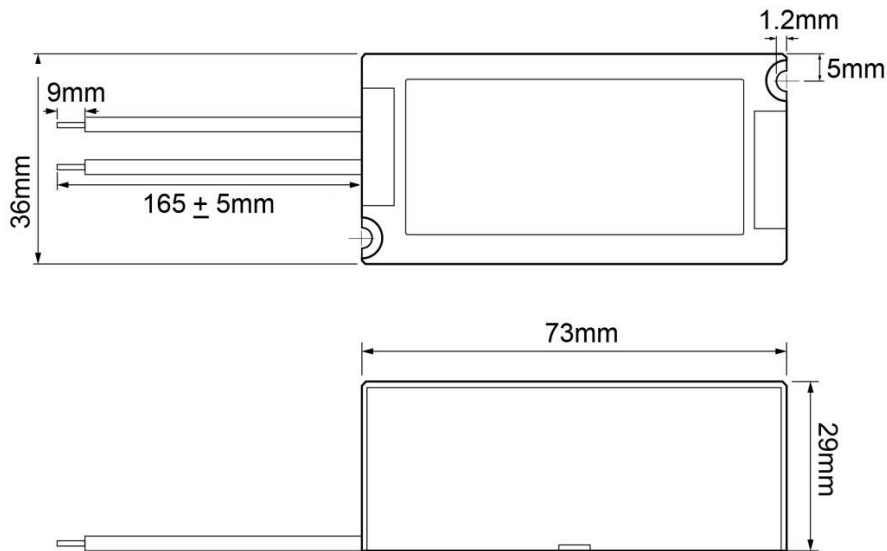
- Active compensation
- Wide input voltage of 100VAC ~ 240VAC
- Suitable for TRIAC circuit load compensation

### Technical Parameters

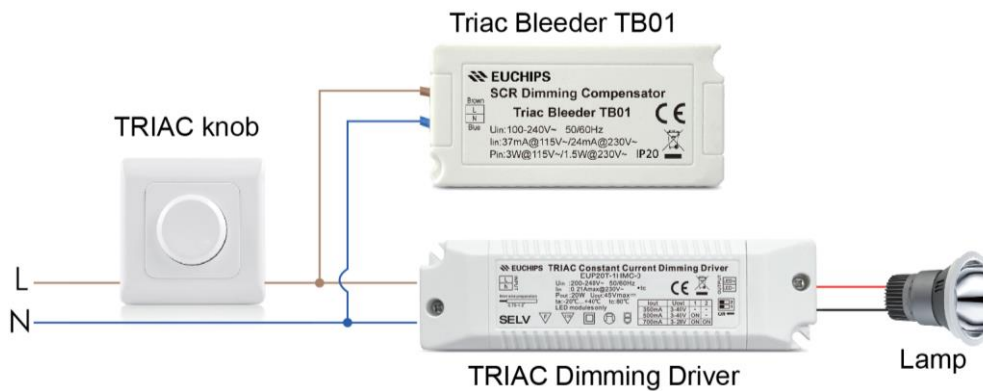
Model		Triac Bleeder TB01
Input	Voltage	100– 240VAC
	Frequency	50/60Hz
	Current	37mA@115VAC /24mA@230VAC

	Power	3W@115VAC/1.5W@230VAC
Others	Dimension	73*36*29 mm (L*W*H)
	G.W	75g
	IP grade	IP20
	Working temp.	-20°C ~ 40°C
	Relative humidity	20~90% RH

## Dimension (mm)



## Wiring Diagram



## Cautions

1. This unit must be installed by a qualified electrician.
2. Do not exceed the marked parameters
3. Please make sure the wiring is correct before connecting the power.