



Sink unit in stainless steel to fit on worktop, 500 series, 2 tanks, 1 left drain-board

PN: 453208

Available dimensions

Length (mm)	Width (mm)	Dimension l (mm)	Dimension a (mm)	Depth - inner height h (mm)	Number of tanks	Number of drainboards	Weight (kilograms)
1160	500	330	360	160	2	1	3,50

Images

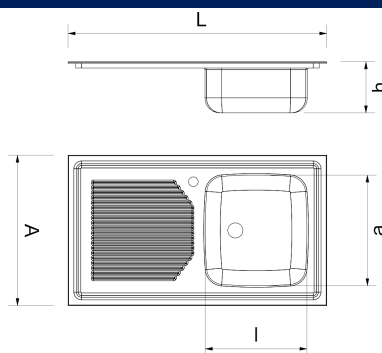


Image	Replacement parts
	PN: 454202
	PN: 454208
	PN: 454604