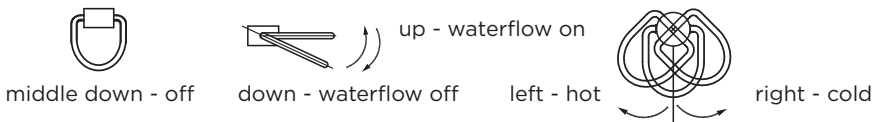
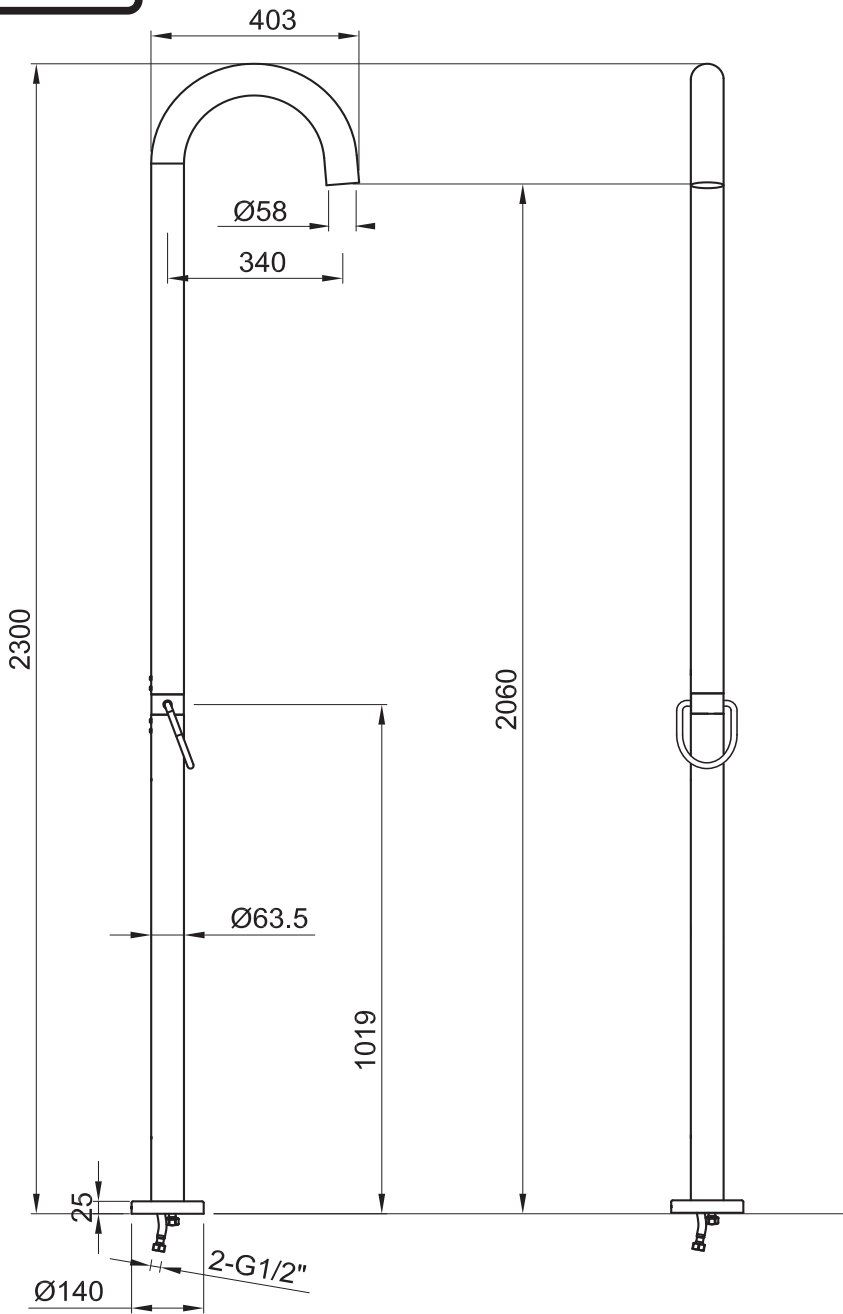




# JEE-O original shower 01 specifications



Article code:	<b>100-6100</b> ● Brushed stainless steel	Connection:	2 x G 1/2" (ø15mm / 0.6") nylon <sup>(out)</sup> /epdm <sup>(in)</sup> flexhose with stainless steel swivel British Standard Pipe (BSP)
Material:	Stainless Steel r316	Thread:	
Cartridge:	Kerox ceramic mixing mechanism (35mm), item code 005-0101	Dimension package:	L 159 x W 27 W 66 x H 19 cm
Interchangeable shower heads	ø58mm/43 nozzles, item code 100-6120 ø150mm/100 nozzles, item code 100-6140	Total weight:	12,5 kg
Cleaning:	JEE-O protect	Package weight:	3,2 kg
Flow at water of 38°C / 100,4°F:	12l p/m at 3bar pressure	Placing on a water-tight floor	
		2 year warranty	
		HS code:	84818011900
		Approvals:	SLS BS EN 817, SS 375, AS/NZS 4020, BS EN

