

iQparts
IQ-PARTS-SHOP.COM



**SPECS &
INFORMATION**



W1

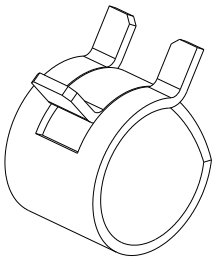
Spring Clip

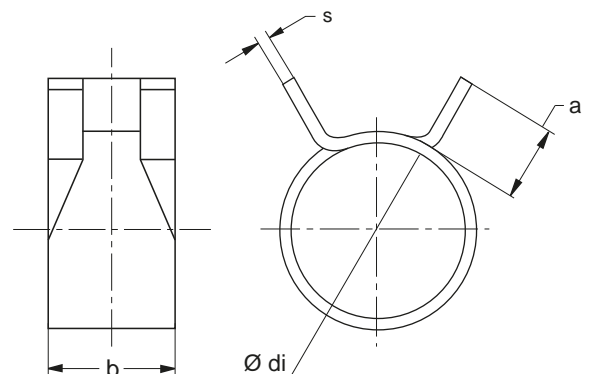
Spring clips are designed to distribute pressure uniformly around the application zone, thanks to the material used in their manufacture

Their use is recommended when the hose is subject to rapid changes in temperature which can cause expansion and contraction of the materials used in the assembly.

These clips are quick and easy to assemble and can even be mounted manually in some cases, without the need for tools.

Nominal Ø	Part n°	Ø di	b	a ±0,05	s	Box Quantity (MOQ)	Outer Packing
6	0201402-5	5,5 ±0,1	7	3,0	0,5	500	8.000
7	0201403-3	6,4 ±0,1	7	3,0	0,5	500	8.000
8	0201404-1	7,4 ±0,15	8	3,0	0,6	500	8.000
9	0201405-0	8,4 ±0,15	8	3,5	0,6	500	4.000
10	0201406-8	9,3 ±0,2	8	3,5	0,7	500	4.000
11	0201407-6	10,3 ±0,2	8	4,0	0,7	500	4.000
12	0201408-4	11,1 ±0,2	8	4,0	0,7	500	4.000
14	0201409-2	12,9 ±0,2	8	4,0	0,8	500	4.000
15	0201410-5	13,5 ±0,2	8	5,2	0,8	500	4.000
17	0201411-3	15,6 ±0,2	8	5,0	0,8	500	4.000
20	0201412-1	18,4 ±0,4	8	5,2	0,8	500	4.000

	TECHNICAL INFORMATION	
	MATERIAL	SPRING STEEL (C67S)
	FINISH	SILVER-WHITE Cr3 ZINC-PLATED
	CORROSION RESISTANCE	72 HOURS SALT SPRAY (ASTM B-117)





info@iq-parts.nl
Harsweg 34A
2461 EZ Ter Aar
T +31 252 624 126
The Netherlands