

iQparts
IQ-PARTS-SHOP.COM



**SPECS &
INFORMATION**



W1

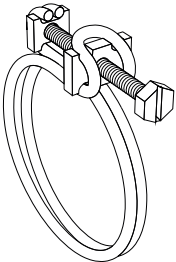
Wire Clip with Screw

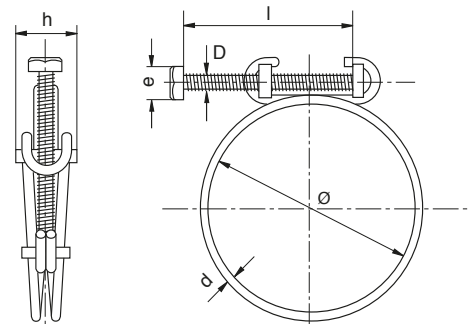
This clip was specially designed for use with hoses incorporating an outer helix. It is generally used when installing ventilation ducting or in white goods applications.

The double-wire construction of this clip means that it sits comfortably on either side of the helix and can then be clamped down firmly thanks to the screw-tightening system.

** Diameters up 100mm can be manufactured on request.*

Application Ø									
mm	Part n°	Ø Ideal application	d	e	l	h max.	D	Box Quantity (MOQ)	Outer Packing
9,5-12	0303001-5	11,0	1,5	5,5	20	11	M3	500	2.000
10,5-13	0303002-3	11,5	1,5	5,5	20	11	M3	500	2.000
11,5-14	0303003-1	12,5	1,5	5,5	20	11	M3	500	2.000
12,5-15	0303004-0	13,0	1,5	5,5	20	11	M3	500	2.000
13,0-16	0303005-8	14,0	1,8	5,5	25	11	M3	500	2.000
13,5-17	0303006-6	15,0	1,8	5,5	25	11	M3	500	2.000
15,0-18	0303007-4	16,0	1,8	5,5	25	11	M3	500	2.000
15,5-19	0303008-2	17,0	1,8	5,5	25	11	M3	500	2.000
17,0-20	0303009-0	18,0	1,8	5,5	25	11	M3	500	2.000
17,5-21	0303010-3	18,5	1,8	5,5	25	11	M3	500	1.500
18,5-22	0303011-1	20,0	2,0	7,0	30	13	M4	500	1.500
19,0-23	0303012-0	20,5	2,0	7,0	30	13	M4	500	1.500
21,0-24	0303013-8	22,0	2,0	7,0	30	13	M4	500	1.500
21,5-25	0303014-6	23,5	2,2	7,0	30	13	M4	500	1.500
23,5-27	0303015-4	25,0	2,2	7,0	30	13	M4	500	1.500
25,0-29	0303016-2	27,0	2,2	7,0	30	13	M4	200	800
27,0-31	0303017-0	29,0	2,2	7,0	30	13	M4	200	800
29,0-33	0303018-9	31,5	2,2	7	30	13	M4	200	800
30,5-35	0303019-7	33,0	2,2	7	30	13	M4	200	800
33,0-37	0303020-0	37,0	2,2	7	30	13	M4	200	800
35,5-40	0303021-8	38,5	2,2	7	30	13	M4	200	800
38,5-43	0303022-6	41,0	2,5	8	40	15	M5	200	800
41,0-46	0303023-4	43,5	2,5	8	40	15	M5	200	800
43,5-49	0303024-2	46,5	2,5	8	40	15	M5	200	800
46,5-53	0303025-0	50,5	2,5	8	40	15	M5	200	400
50,5-56	0303026-9	53,5	2,5	8	40	15	M5	100	400
53,5-60	0303027-7	56,5	2,8	10	50	18	M5	100	400
56,5-64	0303028-5	60,0	2,8	10	50	18	M5	100	400
60,0-68	0303029-3	64,0	2,8	10	50	18	M5	100	400

	TECHNICAL INFORMATION	
	MATERIAL	STEEL WIRE (B-UNI 3823) 6.6 GRADE STEEL
	FINISH	SILVER-WHITE Cr3 ZINC-PLATED
CORROSION RESISTANCE	72 HOURS SALT SPRAY (ASTM B-117)	





info@iq-parts.nl
Harsweg 34A
2461 EZ Ter Aar
T +31 252 624 126
The Netherlands