

iQparts
IQ-PARTS-SHOP.COM



**SPECS &
INFORMATION**

ASFA L (9 mm) Hose Clamp AISI 430 Stainless Steel - W2



W2

Thanks to the exclusive design of the housing and the high-strength screw, the ASFA LW2 hose clip has excellent performance while being at the same time very compact.

The cold-formed stamped 9mm band, smoothed on the underside, combined with the bevelled band edges protects the hose from any damage. W2 material is very versatile, meaning that this clamp is used in many different sectors and is our top-selling 9mm bandwidth clamp.

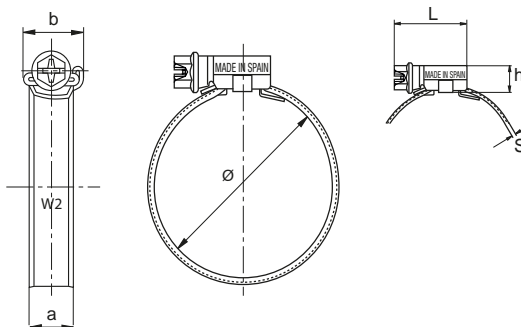
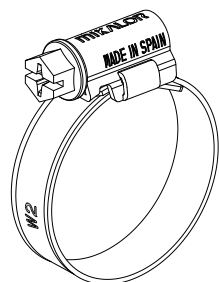
DIN 3017. The ASFA LW2 hose clip complies fully with the DIN 3017 norm and also with the directive EU 2002/95/EC.

** The maximum application pressure can vary depending on the type of hose used and the geometry of the coupling.*

Application Ø										
mm	Part nº	L max.	S +0,10	h max.	a +0,3 a -0,2	b max.	Maximum values		Box Quantity (MOQ)	Outer Packing
							Torque (Nm)	Pressure (Bars)		
8-12	0301650-8	17,5	0,65	9,2	7	11,5	1,5	15	200	1600
8-16	0301651-6	22,1	0,65	10,5	9	14	3	40	200	800
12-22	0301652-4	22,1	0,65	10,5	9	14	3	40	200	800
16-27	0301653-2	23,6	0,75	10,5	9	14	3,5	38	200	800
20-32	0301654-0	23,6	0,75	10,5	9	14	3,5	36	200	800
25-40	0301655-9	25,6	0,75	10,5	9	14	4	32	100	400
30-45	0301656-7	25,6	0,75	10,5	9	14	4	28	100	800
32-50	0301657-5	25,6	0,75	10,5	9	14	4	24	100	800
40-60	0301658-3	25,6	0,75	10,5	9	14	4	19	100	400
50-70	0301659-1	29,6	0,75	10,5	9	14	4	17	100	100
60-80	0301660-4	29,6	0,75	10,5	9	14	4	15	100	100
70-90	0301661-2	29,6	0,75	10,5	9	14	4	13	50	400
80-100	0301662-0	29,6	0,75	10,5	9	14	4	11	50	400
90-110	0301663-9	29,6	0,75	10,5	9	14	4	10	25	200
100-120	0301664-7	29,6	0,75	10,5	9	14	4	9	25	200
110-130	0301665-5	29,6	0,75	10,5	9	14	4	8	25	200
120-140	0301666-3	29,6	0,75	10,5	9	14	4	7	25	200
130-150	0301667-1	29,6	0,75	10,5	9	14	4	6	25	200
140-160	0301668-0	29,6	0,75	10,5	9	14	4	5	25	25

** It is recommended to apply 75% of the maximum values contained in the table.*

TECHNICAL INFORMATION	
MATERIAL	BAND AND HOUSING: STAINLESS STEEL (AISI-430) SCREW: STEEL Qst 36-3 (DIN 1.0214)
FINISH	BAND AND HOUSING: STAINLESS STEEL SCREW: GREY-WHITE Cr3 ZINC-PLATED
CORROSION RESISTANCE	72 HOURS SALT SPRAY (ASTM B-117)
MAXIMUM TIGHTENING SPEED (RPM)	540 ±5





info@iq-parts.nl
Harsweg 34A
2461 EZ Ter Aar
T +31 252 624 126
The Netherlands