

iQparts
IQ-PARTS-SHOP.COM



**SPECS &
INFORMATION**

ASFA L (9 mm) Hose Clamp AISI 304 Stainless Steel - W4



W4

Manufactured entirely in AISI 304 Stainless Steel, the ASFA LW4 has high corrosion resistance that, combined with the exclusive design of the housing and screw, make this a durable clamp once assembled.

The cold-formed stamped 9mm band, smoothed on the underside, combined with the bevelled band edges protects the hose from any damage. This clamp is especially indicated for use in corrosive environments and in the foodstuffs industry.

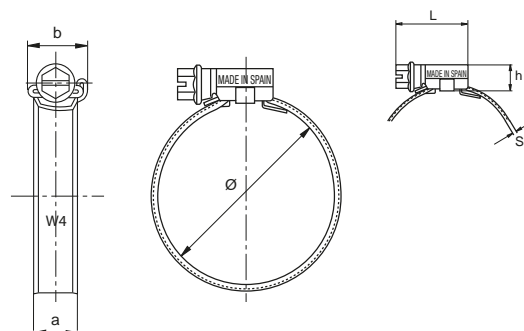
DIN 3017. The ASFA LW4 hose clip complies fully with the DIN 3017 norm and also with the directive EU 2002/95/EC.

** The maximum application pressure can vary depending on the type of hose used and the geometry of the coupling.*

Application Ø										
mm	Part nº	L max.	S +0,10	h max.	a +0,3 a -0,2	b max.	Maximum values		Box Quantity (MOQ)	Outer Packing
							Torque (Nm)	Pressure(Bars)		
8-12	0301400-0	17,5	0,65	9,2	7	11,5	1,5	15	200	1600
8-16	0301401-9	22,1	0,65	10,5	9	14	3	40	200	800
12-22	0301402-7	22,1	0,65	10,5	9	14	3	40	200	800
16-27	0301403-5	23,6	0,75	10,5	9	14	3,5	38	200	800
20-32	0301404-3	23,6	0,75	10,5	9	14	3,5	36	200	800
25-40	0301405-1	25,6	0,75	10,5	9	14	4	32	100	400
30-45	0301406-0	25,6	0,75	10,5	9	14	4	28	100	800
32-50	0301407-8	25,6	0,75	10,5	9	14	4	24	100	800
40-60	0301408-6	25,6	0,75	10,5	9	14	4	19	100	400
50-70	0301409-4	29,6	0,75	10,5	9	14	4	17	100	100
60-80	0301410-7	29,6	0,75	10,5	9	14	4	15	100	100
70-90	0301411-5	29,6	0,75	10,5	9	14	4	13	50	400
80-100	0301412-3	29,6	0,75	10,5	9	14	4	11	50	400
90-110	0301414-0	29,6	0,75	10,5	9	14	4	10	25	200
100-120	0301415-8	29,6	0,75	10,5	9	14	4	9	25	200
110-130	0301416-6	29,6	0,75	10,5	9	14	4	8	25	200
120-140	0301417-4	29,6	0,75	10,5	9	14	4	7	25	200
130-150	0301418-2	29,6	0,75	10,5	9	14	4	6	25	200
140-160	0301419-0	29,6	0,75	10,5	9	14	4	5	25	25

** It is recommended to apply 75% of the maximum values contained in the table.*

TECHNICAL INFORMATION	
MATERIAL	BAND AND HOUSING: STAINLESS STEEL X5CrNi1810 (AISI-304) SCREW: STAINLESS STEEL (AISI-304)
FINISH	STAINLESS STEEL
CORROSION RESISTANCE	400 HOURS SALT SPRAY (ASTM B-117)
MAXIMUM TIGHTENING SPEED (RPM)	540 ±5





info@iq-parts.nl
Harsweg 34A
2461 EZ Ter Aar
T +31 252 624 126
The Netherlands