

iQparts
IQ-PARTS-SHOP.COM



**SPECS &
INFORMATION**

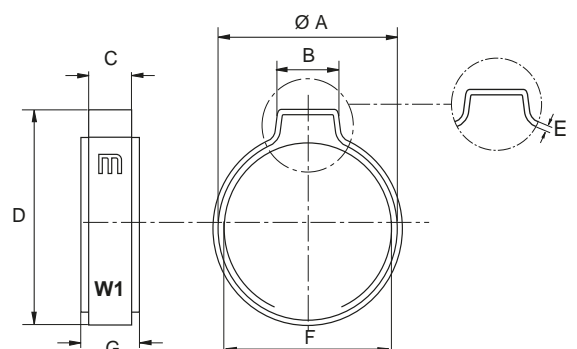
One Ear Clip with stainless steel inner-ring

The fact that these clamps are used on very small-bore hoses means that the material of the tube or hose can sometimes be very flexible, making it more difficult to ensure a leaktight assembly due to the possible deformation of the hose. In these cases, the inner-ring is key in helping to guarantee leaktightness as well as protecting the hose from being pinched during assembly. This clamp is ideal for use in non-corrosive environments.

W1

Application Ø		Part n°	A	B	C	D	E	F	G	Colour	Box Quantity (MOQ)	Outer Packing
min.	max.											
7,5	8,5	0301100-9	9,3	5,5	6,0	13,0	0,8	8,5	7,8	SILVER-WHITE ZP	1.000	8.000
8,0	9,5	0301101-0	10,3	6,0	6,0	14,0	0,8	9,5	7,8	SILVER-WHITE ZP	1.000	8.000
9,0	10,5	0301102-9	11,3	6,5	6,5	15,0	0,8	10,5	7,8	SILVER-WHITE ZP	1.000	8.000
10,0	11,5	0301103-7	12,3	7,0	6,5	16,0	0,8	11,5	7,8	SILVER-WHITE ZP	500	8.000
10,5	12,5	0301104-5	13,3	7,5	6,5	17,0	0,9	12,5	7,8	SILVER-WHITE ZP	500	8.000
11,5	13,3	0301105-3	14,3	8,0	7,0	18,5	1,0	13,3	8,8	SILVER-WHITE ZP	500	4.000
13,0	15,3	0301106-1	16,3	8,5	7,0	20,5	1,1	15,3	8,8	SILVER-WHITE ZP	500	4.000
15,0	17,3	0301107-0	18,5	9,5	7,0	23,0	1,1	17,3	8,8	SILVER-WHITE ZP	500	2.000
16,0	18,3	0301108-2	19,5	9,5	7,5	24,0	1,0	18,3	9,8	SILVER-WHITE ZP	250	2.000
17,0	19,3	0301109-3	20,5	10,0	7,5	25,0	1,0	19,3	9,8	SILVER-WHITE ZP	250	2.000

TECHNICAL INFORMATION	
MATERIAL	CLIP: ST4 (DIN 1624) INNER-RING: STAINLESS STEEL (AISI-301)
FINISH	CLIP: SILVER-WHITE Cr3 ZINC-PLATED INNER-RING: STAINLESS STEEL
CORROSION RESISTANCE	72 HOURS SALT SPRAY (ASTM B-117)





info@iq-parts.nl
Harsweg 34A
2461 EZ Ter Aar
T +31 252 624 126
The Netherlands