

iQparts
IQ-PARTS-SHOP.COM



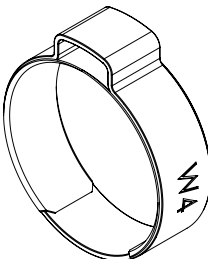
**SPECS &
INFORMATION**

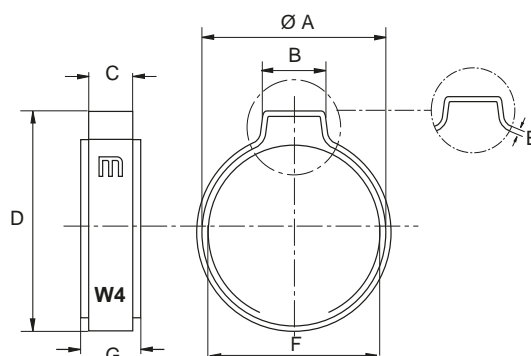
Stainless Steel One Ear Clip with stainless steel inner-ring

The fact that this clamp is manufactured in full AISI-304 stainless steel makes it ideal for use in marine or foodstuff applications as the corrosion resistance is outstanding. The inner-ring means that the clamp fits snugly around the hose, while the bevelled edges protect the hose from being pinched during fitting and ensure a durable leaktight assembly.

W4

Application Ø		Part n°	A	B	C	D	E	F	G	Colour	Box Quantity (MOQ)	Outer Packing
min.	max.											
7,5	8,5	2301230-0	9,3	5,5	6,0	13,0	0,8	8,5	7,8	Stainless Steel	2.000	16.000
8,2	9,5	2301231-9	10,3	6,0	6,0	14,0	0,8	9,5	7,8	Stainless Steel	1.000	8.000
9,0	10,5	2301232-7	11,3	6,5	6,5	15,0	0,8	10,5	7,8	Stainless Steel	1.000	8.000
10,0	11,5	2301233-5	12,3	7,0	6,5	16,0	0,8	11,5	7,8	Stainless Steel	500	8.000
10,5	12,5	2301234-3	13,3	7,5	6,5	17,0	0,8	12,5	7,8	Stainless Steel	500	8.000
11,5	13,5	2301235-1	14,3	8,0	7,0	18,5	1,0	13,5	7,8	Stainless Steel	500	4.000
12,5	14,5	2301236-0	15,3	8,0	7,0	19,5	1,0	14,5	8,8	Stainless Steel	500	4.000
13,0	15,3	2301237-8	16,3	8,5	7,0	20,5	1,0	15,3	8,8	Stainless Steel	500	4.000
14,0	16,3	2301238-6	17,5	9,0	7,0	22,0	1,0	16,3	8,8	Stainless Steel	250	4.000
15,0	17,3	2301239-4	18,5	9,5	7,0	23,0	1,0	17,3	8,8	Stainless Steel	250	4.000
16,0	18,3	2301240-7	19,5	9,5	7,5	24,0	1,0	18,3	9,8	Stainless Steel	250	2.000
17,0	19,3	2301241-5	20,5	10,0	7,5	25,0	1,0	19,3	9,8	Stainless Steel	250	2.000

TECHNICAL INFORMATION	
	MATERIAL CLIP: STAINLESS STEEL (AISI-304) INNER-RING: STAINLESS STEEL (AISI-301)
	FINISH STAINLESS STEEL
	CORROSION RESISTANCE 400 HOURS SALT SPRAY (ASTM B-117)





info@iq-parts.nl
Harsweg 34A
2461 EZ Ter Aar
T +31 252 624 126
The Netherlands