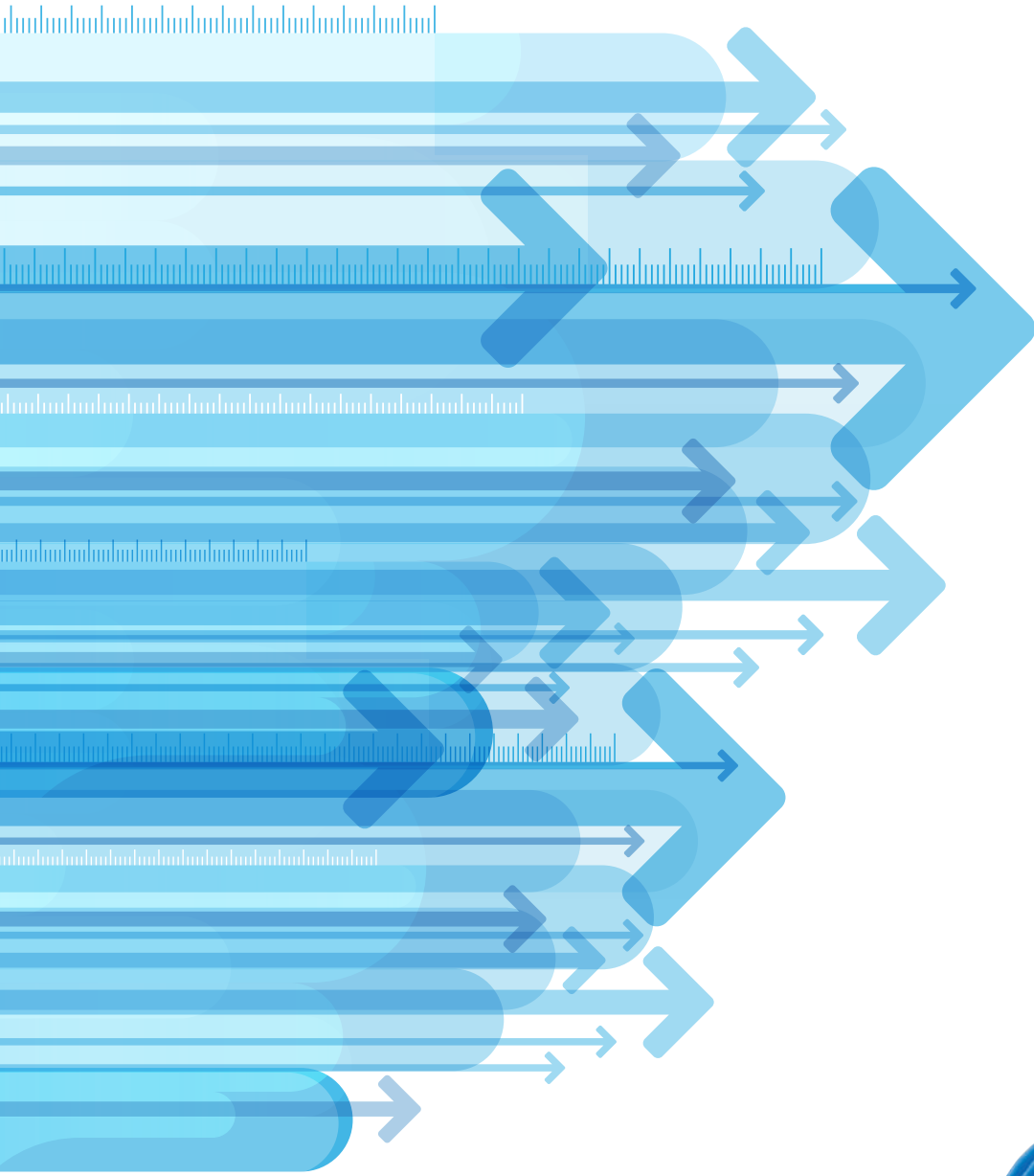


iQparts
IQ-PARTS-SHOP.COM

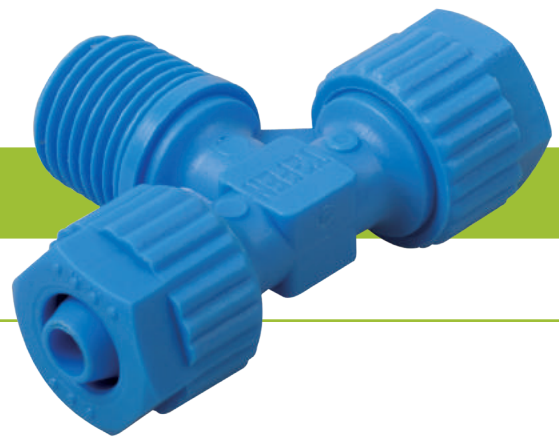


**SPECS &
INFORMATION**



FLOW PRODUCTS

Fittings • Tubes • Valves • Nozzles



INDEX

ABOUT TEFEN

Tefen Flow and Dosing Technologies is a manufacturer of fittings and flow products, with more than 40 years of experience in product development. Tefen manufactures and sells a wide range of products in the connecting and fluid categories.

Tefen fittings are simple to use and require no special tools to enable reliable leak-free connections.

Our products serve a broad spectrum of international market sectors such as automation, pneumatics, hydraulics, medical device, and other industrial applications, and are also used for the irrigation industry.

Tefen customers rely on innovative products and solutions that provide uncompromising connections, outstanding performance, unmatched reliability and long service life. Our application-specific solutions create value for our customers and provide them with competitive advantage.

Tefen's dedication to quality and fine customer service has won the confidence of loyal and satisfied customers all over the world.

Tefen is certified for ISO 9001:2008 and we meet international standards.



Technical Information	4
Fittings	7
Fittings PVDF	9
Tight Push - ACETAL	38
Barb Block - Reinforced Polypropylene	44
Barb Connectors - Polypropylene	55
Hose Fittings - Nylon 6-6	60
Threaded Connectors	74
Quick Release	81
Custom Made	82
Flow Products	85
Tubes LDPE	86
Tubes HDPE	88
Tubes PVC	89
Valves	90
Spraying and Fogging Nozzles	92
Air Blow Guns	98

Recommended Tightening Torque

Thread Size	Nylon 66		PP		PVDF	
	Nm	ft lb	Nm	ft lb	Nm	ft lb
1/8"	0.1	0.07	0.01	0.01	0.1	0.07
1/4"	0.8	0.6	0.3	0.2	1	0.8
3/8"	4	3	1	1	5	3
1/2"	6	4	2	2	8	6
3/4"	8	6	5	4	16	12
1"	10	7	8	6	26	19

Fittings Tolerances (According to ISO 2768-c)

Size mm	Tolerance
1-6	±0.3
6-30	±0.5
30-120	±0.8

Chemical Resistance

	Water		Acids		Detergents	
	Cold	Hot	Weak	Strong	Weak	Strong
LDPE	3	1	3	2	3	3
HDPE	3	3	3	3	3	3
Nylon 6-6	3	2	1	1	3	2
Polypropylene	3	3	3	2	3	3
Acetal	3	3	2	1	3	3
PVDF	3	3	3	3	3	3

1 - Bad 2 - Medium 3 - Good

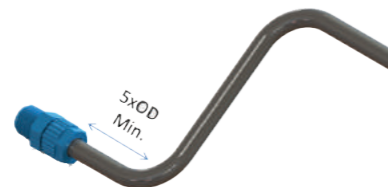
Note:

Notice tube dimension differ between industries.
Fittings' dimensions refer to tube ID or OD, with respect to the common application.

Use thread seal tape

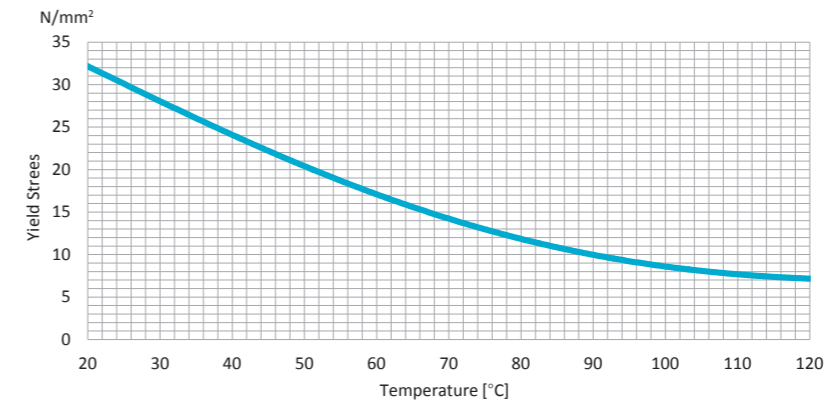


Minimum straight tube segment

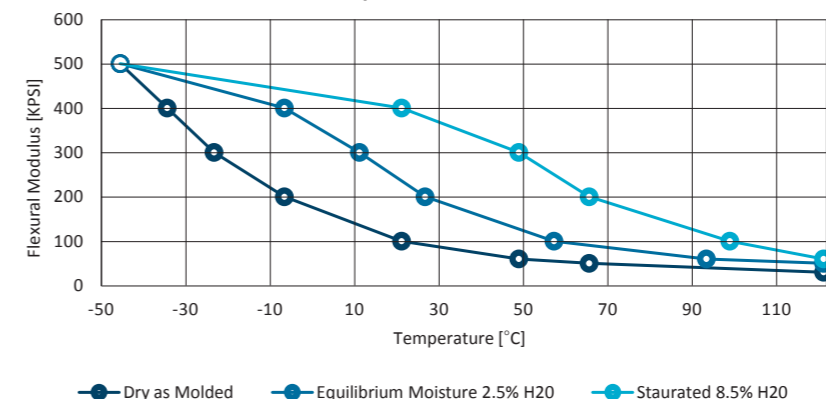


PROPERTIES

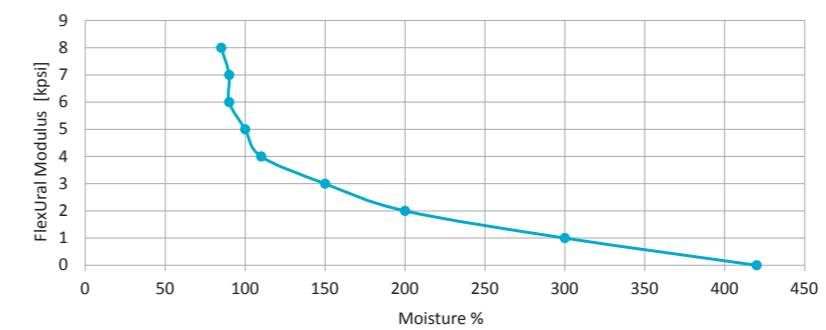
Yield stress of PP as a function of temperature



Flexural modulus VS. temperature



Flexural modulus VS. moisture content at 73 °F



Maintenance

Tefen's fittings require minimum maintenance. Nevertheless, a visual periodic inspection is recommended. If damage or abrasion is spotted, please replace the fitting, and make sure it fits the application.

Disclaimer

All technical data is based on theoretical values and experiments held in Tefen's laboratory. The information in this section is for reference only, and is set to help the designer in his job. Please consult engineering department for further details and advice.

Please Note:

Tefen is constantly seeking ways to improve the specifications of its products. Whilst every effort is made to produce up-to-date literature, this brochure should not be regarded as an infallible guide to current specifications, nor does it constitute an offer for the sale of any particular product. Prospective purchasers of the products from Tefen should satisfy themselves at the time they place the order as to the suitability of the products for the particular application. We have the right to alter specification without prior notice.

Fittings

Tight Push Fittings

Tefen tight push fittings are mechanical compression fittings that can operate with numerous types of common plastic tubes in the range between 4-12 mm (3/16"-1/2").

The fittings sealing system is based on an external NBR ring that seals the tube around its Outside Diameter. This type of method, can promise full bore passage, for low pressure loss, as well as smooth and uninterrupted internal flow of liquids and air.

Barb Block Fittings

Tefen barb Block fittings are mechanical push-on compression fittings that can operate with numerous types of common plastic tubes in the range between 6-12 mm (1/4"-1/2").

The fittings sealing system is based on a barb and a tightening nut.

How to make the connection: Insert the nut onto the tube, insert the tube onto the barb and then close and secure the nut tightly on the bar support thread.

Main use: for the connection of plastic tubes on hydraulic and pneumatic systems.

Main Advantages: high chemical resistant, very strong resistant for tube pullout, no rubber seals- long lasting fittings.

Barb Connectors

Tefen barb connectors designed to operate with all LDPE tubes class 2.5 and 4, at the range of 12- 25 mm external diameter.

These fittings can work with other flexible plastic and rubber pipes.

The fittings sealing system is based on a barb that holds the tube from the inside diameter.

The fittings size: indicate the nominal outside diameter of the tube.

For example: 16 mm barb fitting, fits a 16 mm irrigation tube class 2.5, with inner diameter of 13.6 mm.

Hose Fittings

Tefen hose fittings are the perfect choice for connecting all types of flexible rubber and plastic tubes in domestic, industrial and all other general applications.

Main advantages:

Strong and durable, high impact resistant, all sizes are true outside diameter of the fittings, and will match identical inside diameter of the tube. In order to secure tube on the fitting barb, one should use press clip like Tefen snap clip or identical metal or plastic clips.

How to use: push the tube onto the barb all the way to the stopper.

Secure the tube with a proper size pressure clip, -tightly.



Fittings - Barb Connectors

POLYPROPYLENE



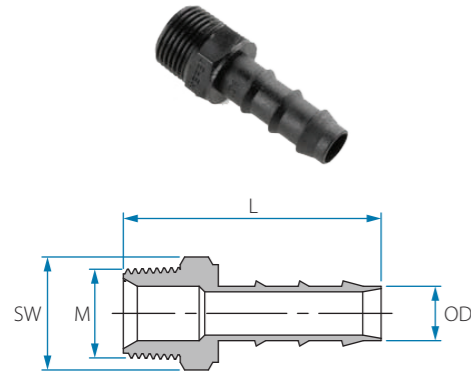
Working pressure
Up to 14 BAR
(200 psi) at 20 °C



Temperature
4 °C - 90 °C
(subject to application)



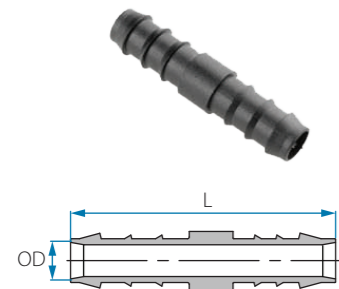
Fittings' dimensions
refer to tube ID or OD, with respect
to the common application.



Male Straight Hose Connector

Cat. No.	OD mm	M (BSPT)	L mm	SW	Colour
12456812022	12	1/8"	44.0	11	Black
12456812042	12	1/4"	47.7	14	Black
12456812062	12	3/8"	47.3	17	Black
12456812082	12	1/2"	50.8	22	Black
12456812122	12	3/4"	51.4	27	Black
12456816042	16	1/4"	47.6	14	Black
12456816082	16	1/2"	51.3	22	Black
12456816122	16	3/4"	52.0	27	Black
12456820082	20	1/2"	52.2	22	Black
12456820122	20	3/4"	54.0	27	Black
12456820162	20	1"	59.0	36	Black
12456825082	25	1/2"	53.3	22	Black
12456825122	25	3/4"	54.5	27	Black
12456825162	25	1"	59.0	36	Black
*12466817083	17	1/2"	45.2	22	Brown
*12466817123	17	3/4"	46.1	27	Brown

Note: Packing 25 unit
* Sharp barb (material: Acetal)



Union Hose Connector

Cat. No.	OD mm	L mm	Colour
12456212002	12	68.6	Black
12456216002	16	71.4	Black
12456220002	20	76.5	Black
12456225002	25	76.5	Black
*12466216002	16	49.0	Black
*12466216003	16	49.0	Brown
*12466217003	17	58.3	Brown

Note: Packing 25 unit
* Short configuration

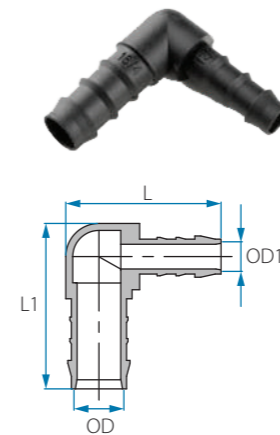


Reducing Hose Connector

Cat. No.	OD mm	OD1 mm	L mm	Colour
12455612162	16	12	71.5	Black
12455612202	20	12	74.2	Black
12455616202	20	16	74.2	Black
12455620252	25	20	76.8	Black
*12465612172	17	12	64.1	Black
*12465616172	17	16	66.0	Black
*12465617202	20	17	68.8	Black

Cat. No.	OD mm	ID mm	L mm	Colour
12455648122	12	8	63.8	Black
12455652202	20	12	72.6	Black
12455656202	20	16	75.6	Black
12455659202	20	19	75.4	Black
12455659252	25	19	75.3	Black

Note: Packing 25 unit
* Sharp barb (material: Acetal)



Reducing Elbow Hose Connector

Cat. No.	OD mm	OD1 mm	L mm	L1 mm	Colour
12456612162	16	12	51.2	49.5	Black
12456612202	20	12	56.4	55.0	Black
12456616202	20	16	56.4	54.8	Black
12456620252	25	20	58.3	56.4	Black

Note: Packing 25 unit

Cat. No.	OD mm	ID mm	L mm	L1 mm	Colour
12456652202	20	12	56.2	52.2	Black
12456656202	20	16	56.6	55.5	Black
12456659202	20	19	55.2	56.4	Black
12456659252	25	19	58.4	57.4	Black

Note: Packing 25 unit

POLYPROPYLENE



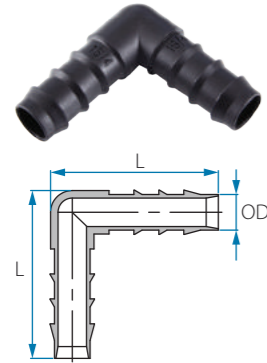
Working pressure
Up to 14 BAR
(200 psi) at 20 °C



Temperature
4 °C - 90 °C
(subject to application)



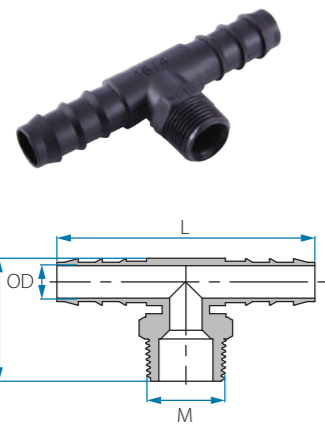
Fittings' dimensions
refer to tube ID or OD, with respect
to the common application.



Union Elbow Hose Connector

Cat. No.	OD mm	L mm	Colour
12456512002	12	48.2	● Black
12456516002	16	49.6	
12456520002	20	56.8	
12456525002	25	58.8	
*12466516003	16	40.5	● Brown
*12466517003	17	45.1	

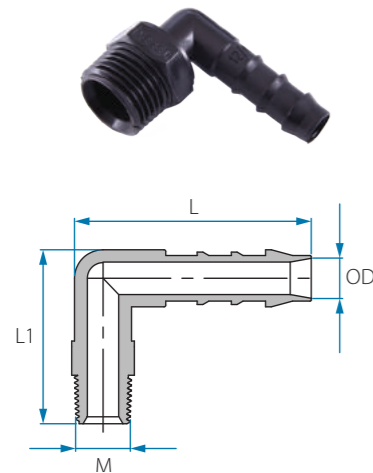
Note: Packing 25 unit
* Sharp barb (material: Acetal)



Male Branch T Hose Connector

Cat. No.	OD mm	M (BSPT)	L mm	L1 mm	Colour
12457112042	12	1/4"	84.7	34.1	● Black
12457112062	12	3/8"	84.9	34.3	
12457112082	12	1/2"	84.9	38.4	
12457112122	12	3/4"	84.8	38.9	
12457116062	16	3/8"	86.2	36.3	
12457116082	16	1/2"	86.2	40.0	
12457116122	16	3/4"	86.2	41.0	
12457120082	20	1/2"	93.7	45.5	
12457120122	20	3/4"	93.7	46.6	
12457125082	25	1/2"	93.7	47.6	
12457125122	25	3/4"	93.8	48.6	
*12467117083	17	1/2"	74.3	41.9	● Brown
*12467117123	17	3/4"	74.3	43.0	

Note: Packing 25 unit
* Sharp barb (material: Acetal)



BSPT Male Elbow Hose Connector

Cat. No.	OD mm	M (BSPT)	L mm	L1 mm	Colour
12456912042	12	1/4"	48.4	34.0	● Black
12456912062	12	3/8"	48.4	34.7	
12456912082	12	1/2"	48.4	38.0	
12456912122	12	3/4"	48.5	39.4	
12456916062	16	3/8"	51.1	36.2	
12456916082	16	1/2"	51.6	39.5	
12456916122	16	3/4"	51.1	41.0	
12456920082	20	1/2"	56.3	45.0	
12456920122	20	3/4"	56.0	46.8	
12456925082	25	1/2"	58.3	47.2	
12456925122	25	3/4"	58.7	48.5	
*12466917083	17	1/2"	45.5	41.9	● Brown
*12466917123	17	3/4"	45.7	43.1	

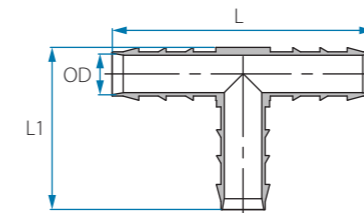
Note: Packing 25 unit
* Sharp barb (material: Acetal)



Union T Hose Connector

Cat. No.	OD mm	L mm	L1 mm	Colour
12456412122	12	72.7	44.6	● Black
12456416162	16	76.7	47.7	
12456420202	20	84.8	54.7	
12456425252	25	72.8	44.6	
*12466416163	16	76.7	47.7	● Brown
*12466417173	17	84.7	54.9	

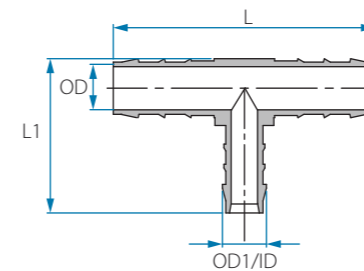
Note: Packing 25 unit
* Sharp barb (material: Acetal)



Reducing T Hose Connector

Cat. No.	OD1 mm	OD mm	L mm	L1 mm	Colour
12457212162	12	16	76.7	48.2	● Black
12457216202	16	20	84.6	52.3	
12457220252	20	25	88.7	58.6	

Note: Packing 25 unit



Reducing T Hose Connector

Cat. No.	OD mm	ID mm	L mm	L1 mm	Colour
12457246162	16	6	76.8	40.6	● Black
12457252202	20	12	84.7	55.2	
12457256202	20	16	84.9	53.0	
12457259202	20	19	84.7	53.0	

Note: Packing 25 unit

Fittings - Hose Fittings

NYLON 6-6



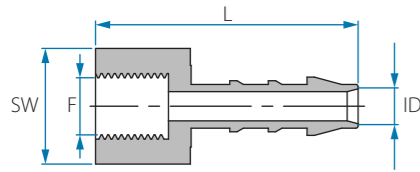
Working pressure
Up to 14 BAR
(200 psi) at 20 °C



Temperature
-20 °C - 110 °C
(subject to application)



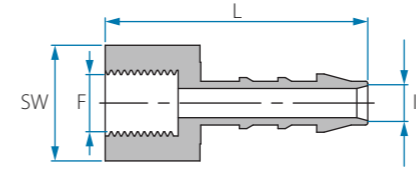
Fittings' dimensions
refer to tube ID or OD, with respect to
the common application.



BSPT Female Connector

Cat. No.	ID mm	F (BSPT)	L mm	SW	Colour
12446745028	5	1/8"	34.4	14	● Blue
12446745048	5	1/4"	35.2	17	● Blue
12446745068	5	3/8"	36.5	22	● Blue
12446745088	5	1/2"	38.7	26	● Blue
12446746028	6	1/8"	36.3	14	● Blue
12446746048	6	1/4"	37.2	17	● Blue
12446746068	6	3/8"	38.3	22	● Blue
12446746088	6	1/2"	40.8	26	● Blue
12446748028	8	1/8"	39.4	14	● Blue
12446748048	8	1/4"	39.4	17	● Blue
12446748068	8	3/8"	40.4	22	● Blue
12446748088	8	1/2"	42.7	26	● Blue
12446750048	10	1/4"	41.5	17	● Blue
12446750068	10	3/8"	42.3	22	● Blue
12446750088	10	1/2"	45.0	26	● Blue
12446752048	12	1/4"	42.4	17	● Blue
12446752068	12	3/8"	43.3	22	● Blue
12446752088	12	1/2"	46.0	26	● Blue
12446754068	14	3/8"	45.0	22	● Blue
12446754088	14	1/2"	47.3	26	● Blue
12446756088	16	1/2"	48.1	26	● Blue
12446759088	19	1/2"	48.8	26	● Blue
12446748041	8	1/4"	39.4	17	○ White

Note: Packing 25 unit



NPT Female Connector

Cat. No.	ID inch	F (NPT)	L mm	SW	Colour
12256704023	1/4"	1/8"	36.7	14	● Grey
12256704043	1/4"	1/4"	40.1	17	● Grey
12256704063	1/4"	3/8"	40.0	22	● Grey
12256704083	1/4"	1/2"	43.7	27	● Grey
12256705023	5/16"	1/8"	38.9	14	● Grey
12256705043	5/16"	1/4"	41.8	17	● Grey
12256705063	5/16"	3/8"	42.0	22	● Grey
12256705083	5/16"	1/2"	45.0	27	● Grey
12256706043	3/8"	1/4"	44.1	17	● Grey
12256706063	3/8"	3/8"	43.9	22	● Grey
12256706083	3/8"	1/2"	47.2	27	● Grey
12256708043	1/2"	1/4"	44.7	17	● Grey
12256708063	1/2"	3/8"	45.2	22	● Grey
12256708083	1/2"	1/2"	48.8	27	● Grey
12256709063	9/16"	3/8"	46.5	22	● Grey
12256709083	9/16"	1/2"	50.3	27	● Grey
12256710083	5/8"	1/2"	50.4	27	● Grey
12256712083	3/4"	1/2"	51.7	27	● Grey

Note: Packing 25 unit

Fittings - Hose Fittings

NYLON 6-6



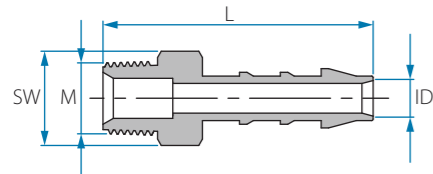
Working pressure
Up to 14 BAR
(200 psi) at 20 °C



Temperature
-20 °C - 110 °C
(subject to application)



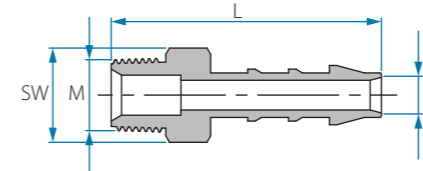
Fittings' dimensions
refer to tube ID or OD, with respect to
the common application.



BSPT Male Hose Connector

Cat. No.	ID mm	M (BSPT)	L mm	SW	Colour
12446844028	4	1/8"	31.2	11	Blue
12446844048	4	1/4"	33.8	14	Blue
12446845028	5	1/8"	34.7	11	Blue
12446845048	5	1/4"	38.3	14	Blue
12446845088	5	1/2"	41.4	22	Blue
12446846028	6	1/8"	35.3	11	Blue
12446846048	6	1/4"	39.2	14	Blue
12446846068	6	3/8"	39.1	17	Blue
12446846088	6	1/2"	42.3	22	Blue
12446846128	6	3/4"	43.0	22	Blue
12446848028	8	1/8"	39.8	11	Blue
12446848048	8	1/4"	43.0	14	Blue
12446848068	8	3/8"	43.0	17	Blue
12446848088	8	1/2"	46.1	22	Blue
12446848128	8	3/4"	47.1	27	Blue
12446850048	10	1/4"	45.2	14	Blue
12446850068	10	3/8"	45.2	17	Blue
12446850088	10	1/2"	48.3	22	Blue
12446850128	10	3/4"	49.3	27	Blue
12446852048	12	1/4"	46.0	14	Blue
12446852068	12	3/8"	46.0	17	Blue
12446852088	12	1/2"	49.3	22	Blue
12446852128	12	3/4"	50.0	27	Blue
12446854068	14	3/8"	47.5	17	Blue
12446854088	14	1/2"	50.8	22	Blue
12446854128	14	3/4"	51.7	27	Blue
12446856088	16	1/2"	51.3	22	Blue
12446856128	16	3/4"	52.2	27	Blue
12446859088	19	1/2"	52.2	22	Blue
12446859128	19	3/4"	53.3	27	Blue
12446859168	19	1"	60.1	36	Blue
12446865128	25	3/4"	54.8	27	Blue
12446865168	25	1"	66.6	36	Blue

Note: Packing 25 unit



NPT Male Hose Connector

Cat. No.	ID inch	M (NPT)	L mm	SW	Colour
12256802023	5/32"	1/8"	30.7	11	Grey
12256802043	5/32"	1/4"	35.3	14	Grey
12256803023	3/16"	1/8"	36.3	11	Grey
12256803043	3/16"	1/4"	39.7	14	Grey
12256804023	1/4"	1/8"	36.1	11	Grey
12256804043	1/4"	1/4"	40.6	14	Grey
12256804063	1/4"	3/8"	41.9	17	Grey
12256804083	1/4"	1/2"	46.7	22	Grey
12256805023	5/16"	1/8"	40.2	11	Grey
12256805043	5/16"	1/4"	44.7	14	Grey
12256805063	5/16"	3/8"	45.9	17	Grey
12256805083	5/16"	1/2"	51.0	22	Grey
12256806043	3/8"	1/4"	46.5	14	Grey
12256806063	3/8"	3/8"	47.7	17	Grey
12256806083	3/8"	1/2"	53.2	22	Grey
12256806123	3/8"	3/4"	54.3	27	Grey
12256808043	1/2"	1/4"	47.7	14	Grey
12256808063	1/2"	3/8"	48.9	17	Grey
12256808083	1/2"	1/2"	53.7	22	Grey
12256808123	1/2"	3/4"	54.7	27	Grey
12256809063	9/16"	3/8"	51.0	17	Grey
12256809083	9/16"	1/2"	55.4	22	Grey
12256809123	9/16"	3/4"	56.1	27	Grey
12256810083	5/8"	1/2"	56.3	22	Grey
12256810123	5/8"	3/4"	56.8	27	Grey
12256812083	3/4"	1/2"	56.9	22	Grey
12256812123	3/4"	3/4"	57.7	27	Grey

Note: Packing 25 unit

Fittings - Hose Fittings

NYLON 6-6



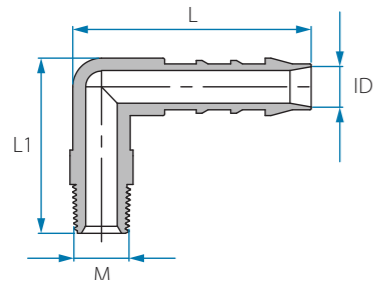
Working pressure
Up to 14 BAR
(200 psi) at 20 °C



Temperature
-20 °C - 110 °C
(subject to application)



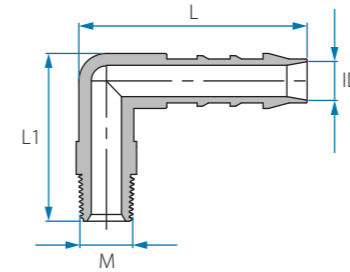
Fittings' dimensions
refer to tube ID or OD, with respect to
the common application.



BSPT Male Elbow Hose Connector

Cat. No.	ID mm	M (BSPT)	L mm	L1 mm	Colour
12446944028	4	1/8"	26.7	24.1	Blue
12446944048	4	1/4"	26.7	27.2	Blue
12446945028	5	1/8"	31.8	26.8	Blue
12446945048	5	1/4"	32.0	29.8	Blue
12446945088	5	1/2"	31.8	33.0	Blue
12446946028	6	1/8"	35.5	27.3	Blue
12446946048	6	1/4"	35.5	29.8	Blue
12446946068	6	3/8"	35.5	30.0	Blue
12446946088	6	1/2"	35.5	33.7	Blue
12446948028	8	1/8"	41.5	30.4	Blue
12446948048	8	1/4"	41.5	32.8	Blue
12446948068	8	3/8"	41.5	32.8	Blue
12446948088	8	1/2"	41.5	36.8	Blue
12446950048	10	1/4"	45.5	33.9	Blue
12446950068	10	3/8"	45.5	34.1	Blue
12446950088	10	1/2"	45.5	37.8	Blue
12446950128	10	3/4"	45.5	38.9	Blue
12446952048	12	1/4"	48.7	35.0	Blue
12446952068	12	3/8"	48.7	35.3	Blue
12446952088	12	1/2"	48.7	39.0	Blue
12446952128	12	3/4"	48.7	39.7	Blue
12446954068	14	3/8"	51.4	38.5	Blue
12446954088	14	1/2"	51.4	42.3	Blue
12446954128	14	3/4"	51.4	43.3	Blue
12446956088	16	1/2"	53.7	44.9	Blue
12446956128	16	3/4"	53.7	46.0	Blue
12446959088	19	1/2"	56.0	46.4	Blue
12446959128	19	3/4"	56.4	47.5	Blue

Note: Packing 25 unit



NPT Male Elbow Hose Connector

Cat. No.	ID inch	M (NPT)	L mm	L1 mm	Colour
12256902023	5/32"	1/8"	25.7	26.0	Grey
12256902043	5/32"	1/4"	25.9	31.1	Grey
12256903023	3/16"	1/8"	31.8	28.6	Grey
12256903043	3/16"	1/4"	33.4	31.8	Grey
12256903083	3/16"	1/2"	41.8	31.8	Grey
12256904023	1/4"	1/8"	35.4	29.0	Grey
12256904043	1/4"	1/4"	35.5	33.7	Grey
12256904063	1/4"	3/8"	35.5	33.8	Grey
12256904083	1/4"	1/2"	42.2	35.5	Grey
12256905023	5/16"	1/8"	41.5	32.1	Grey
12256905043	5/16"	1/4"	41.2	36.7	Grey
12256905063	5/16"	3/8"	41.5	36.6	Grey
12256905083	5/16"	1/2"	41.5	43.1	Grey
12256906043	3/8"	1/4"	45.4	37.7	Grey
12256906063	3/8"	3/8"	45.3	37.5	Grey
12256906083	3/8"	1/2"	45.4	44.4	Grey
12256906123	3/8"	3/4"	45.4	44.0	Grey
12256908043	1/2"	1/4"	48.6	39.0	Grey
12256908063	1/2"	3/8"	48.3	28.6	Grey
12256908083	1/2"	1/2"	48.7	45.2	Grey
12256908123	1/2"	3/4"	48.7	45.2	Grey
12256909063	9/16"	3/8"	51.4	42.2	Grey
12256909083	9/16"	1/2"	51.4	48.6	Grey
12256909123	9/16"	3/4"	51.5	48.5	Grey
12256910083	5/8"	1/2"	53.8	51.5	Grey
12256910123	5/8"	3/4"	53.8	51.4	Grey
12256912083	3/4"	1/2"	56.6	52.8	Grey
12256912123	3/4"	3/4"	56.2	53.0	Grey

Note: Packing 25 unit

Fittings - Hose Fittings

NYLON 6-6



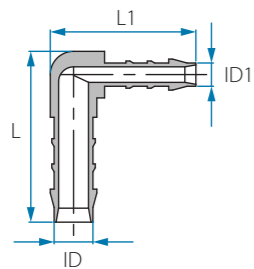
Working pressure
Up to 14 BAR
(200 psi) at 20 °C



Temperature
-20 °C - 110 °C
(subject to application)



Fittings' dimensions
refer to tube ID or OD, with respect to
the common application.

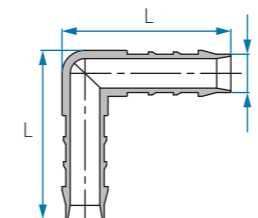


Reducing Elbow Hose Connector

Cat. No.	ID mm	ID1 mm	L mm	L1 mm	Colour
12446645448	5	4	31.8	27.8	Blue
12446646448	6	4	35.5	29.0	Blue
12446646458	6	5	35.4	34.1	Blue
12446648468	8	6	41.6	39.3	Blue
12446650468	10	6	45.3	40.1	Blue
12446650488	10	8	42.1	45.2	Blue
12446652508	12	10	48.7	45.6	Blue
12446654528	14	12	51.5	49.6	Blue
12446656548	16	14	53.8	53.6	Blue
12446659568	19	16	56.2	56.1	Blue

Cat. No.	ID inch	ID1 inch	L mm	L1 mm	Colour
12256603023	3/16"	5/32"	31.8	27.9	Grey
12256604033	1/4"	3/16"	35.4	34.1	Grey
12256605043	5/16"	1/4"	39.4	41.6	Grey
12256606043	3/8"	1/4"	40.2	45.3	Grey
12256606053	3/8"	5/16"	42.5	45.5	Grey
12256608063	1/2"	3/8"	45.8	48.6	Grey
12256609083	9/16"	1/2"	49.8	51.1	Grey
12256610093	5/8"	9/16"	53.6	53.6	Grey
12256612103	3/4"	5/8"	55.8	55.8	Grey

Note: Packing 25 unit

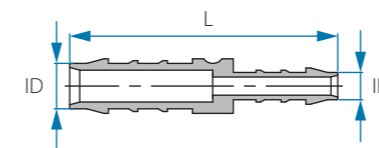


Union Elbow Hose Connector

Cat. No.	ID mm	L mm	Colour
12446544008	4	26.3	Blue
12446545008	5	31.7	Blue
12446546008	6	35.5	Blue
12446548008	8	41.4	Blue
12446550008	10	44.6	Blue
12446552008	12	46.3	Blue
12446554008	14	51.0	Blue
12446556008	16	53.9	Blue
12446559008	19	55.8	Blue

Cat. No.	ID inch	L mm	Colour
12256502003	5/32"	25.6	Grey
12256503003	3/16"	33.2	Grey
12256504003	1/4"	36.1	Grey
12256505003	5/16"	41.4	Grey
12256506003	3/8"	44.6	Grey
12256508003	1/2"	47.6	Grey
12256509003	9/16"	51.2	Grey
12256510003	5/8"	54.3	Grey
12256512003	3/4"	56.7	Grey

Note: Packing 25 unit



Reducing Hose Connector

Cat. No.	ID mm	ID1 mm	L mm	Colour
12445645448	5	4	42.2	Blue
12445646448	6	4	45.7	Blue
12445646458	6	5	50.6	Blue
12445648458	8	5	54.4	Blue
12445648468	8	6	56.3	Blue
12445650468	10	6	58.9	Blue
12445650488	10	8	62.0	Blue
12445652488	12	8	63.8	Blue
12445652508	12	10	65.3	Blue
12445654508	14	10	69.1	Blue
12445654528	14	12	69.9	Blue
12445656528	16	12	70.3	Blue
12445656548	16	14	71.7	Blue
12445659548	19	14	72.7	Blue
12445659568	19	16	73.2	Blue

Note: Packing 25 unit

Fittings - Hose Fittings

NYLON 6-6



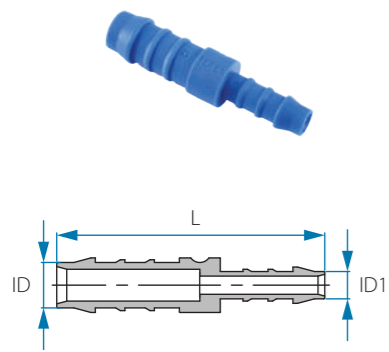
Working pressure
Up to 14 BAR
(200 psi) at 20 °C



Temperature
-20 °C - 110 °C
(subject to application)



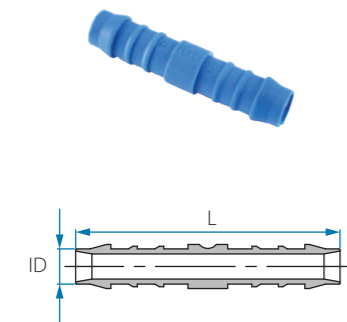
Fittings' dimensions
refer to tube ID or OD, with respect to
the common application.



Reducing Hose Connector

Cat. No.	ID inch	ID1 inch	L mm	Colour
12255603023	3/16"	5/32"	42.2	● Grey
12255604023	1/4"	5/32"	45.7	
12255604033	1/4"	3/16"	50.6	
12255605033	5/16"	3/16"	54.4	
12255605043	5/16"	1/4"	56.3	
12255606043	3/8"	1/4"	58.9	
12255606053	3/8"	5/16"	62.0	
12255608053	1/2"	5/16"	63.8	
12255608063	1/2"	3/8"	65.3	
12255609063	9/16"	3/8"	69.1	
12255609083	9/16"	1/2"	69.9	
12255610083	5/8"	1/2"	70.3	
12255610093	5/8"	9/16"	71.7	
12255612093	3/4"	9/16"	72.7	
12255612103	3/4"	5/8"	73.2	

Note: Packing 25 unit

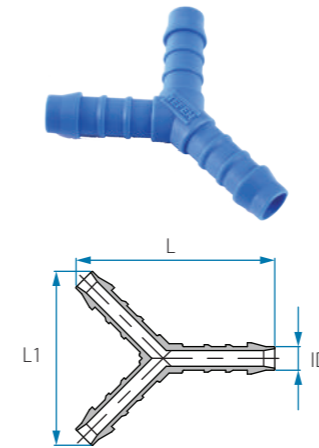


Union Hose Connector

Cat. No.	ID mm	L mm	Colour
12446244008	4	36.6	● Blue
12446245008	5	47.0	
12446246008	6	52.2	
12446248008	8	59.3	
12446250008	10	63.0	
12446252008	12	66.0	
12446254008	14	71.8	
12446256008	16	72.5	
12446259008	19	73.5	

Cat. No.	ID inch	L mm	Colour
12256202003	5/32"	36.6	● Grey
12256203003	3/16"	47.0	
12256204003	1/4"	52.2	
12256205003	5/16"	59.3	
12256206003	3/8"	63.0	
12256208003	1/2"	66.3	
12256209003	9/16"	71.9	
12256210003	5/8"	71.4	
12256211003	1 1/16"	59.1	
12256212003	3/4"	73.8	

Note: Packing 25 unit

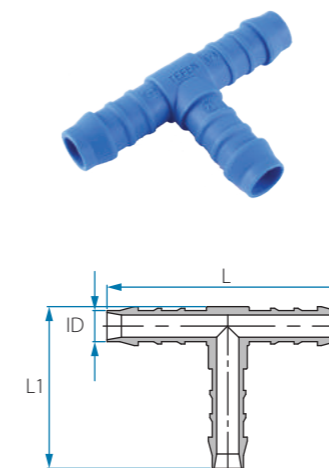


Y Hose Connector

Cat. No.	ID mm	L mm	L1 mm	Colour
12446344448	4	35.0	31.0	● Blue
12446346468	6	51.2	44.5	
12446348488	8	56.6	40.6	
12446350508	10	62.3	55.0	
12446357578	17	63.3	57.7	

Cat. No.	ID inch	L mm	L1 mm	Colour
12256302023	5/32"	35.5	30.8	● Grey
12256304043	1/4"	50.8	44.3	
12256305053	5/16"	55.6	49.4	
12256306063	3/8"	60.8	54.9	
12256311113	1 1/16"	62.5	57.4	

Note: Packing 25 unit



Union T Hose Connector

Cat. No.	ID mm	L mm	L1 mm	Colour
12446444448	4	39.5	24.3	● Blue
12446445458	5	50.7	30.8	
12446446468	6	55.8	34.0	
12446448488	8	61.7	38.5	
12446450508	10	66.5	41.2	
12446452528	12	70.5	44.8	
12446454548	14	76.3	49.1	
12446456568	16	79.2	52.1	
12446459598	19	84.4	55.7	
12446456562	16	79.2	52.1	● Black

Cat. No.	ID inch	L mm	L1 mm	Colour
12256402023	5/32"	39.4	24.3	● Grey
12256403033	3/16"	50.6	30.9	
12256404043	1/4"	55.7	34.1	
12256405053	5/16"	61.2	38.2	
12256406063	3/8"	66.5	41.4	
12256408083	1/2"	70.8	45.0	
12256409093	9/16"	76.3	49.1	
12256410103	5/8"	78.7	51.4	
12256412123	3/4"	83.8	55.9	

Note: Packing 25 unit

Fittings - Hose Fittings

NYLON 6-6



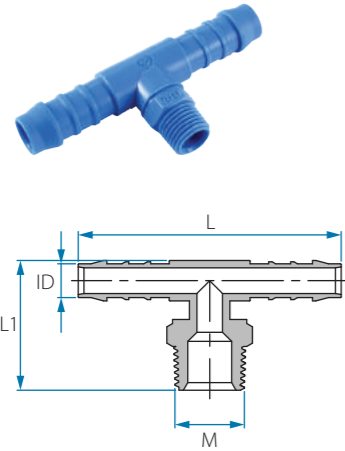
Working pressure
Up to 14 BAR
(200 psi) at 20 °C



Temperature
-20 °C - 110 °C
(subject to application)



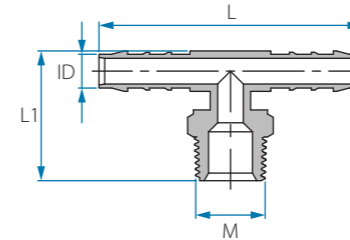
Fittings' dimensions
refer to tube ID or OD, with respect to
the common application.



BSPT Male Branch T Hose Connector

Cat. No.	ID mm	M (BSPT)	L mm	L1 mm	Colour
12447144028	4	1/8"	39.4	22.2	Blue
12447144048	4	1/4"	45.2	27.0	Blue
12447145028	5	1/8"	50.9	23.8	Blue
12447145048	5	1/4"	56.5	29.6	Blue
12447146028	6	1/8"	55.8	24.8	Blue
12447146048	6	1/4"	63.1	30.0	Blue
12447146068	6	3/8"	63.1	30.0	Blue
12447146088	6	1/2"	63.1	33.8	Blue
12447148028	8	1/8"	61.7	27.3	Blue
12447148048	8	1/4"	72.7	33.1	Blue
12447148068	8	3/8"	72.7	33.1	Blue
12447148088	8	1/2"	61.8	33.9	Blue
12447150048	10	1/4"	78.7	34.1	Blue
12447150068	10	3/8"	78.7	34.1	Blue
12447150088	10	1/2"	78.9	38.1	Blue
12447150128	10	3/4"	78.9	39.1	Blue
12447152048	12	1/4"	82.7	35.2	Blue
12447152068	12	3/8"	82.7	35.2	Blue
12447152088	12	1/2"	82.6	39.1	Blue
12447152128	12	3/4"	82.6	40.0	Blue
12447154068	14	3/8"	85.6	38.5	Blue
12447154088	14	1/2"	85.6	42.1	Blue
12447154128	14	3/4"	85.6	43.3	Blue
12447156088	16	1/2"	88.2	45.0	Blue
12447156128	16	3/4"	88.5	46.3	Blue
12447159088	19	1/2"	90.3	46.3	Blue
12447159128	19	3/4"	90.7	47.7	Blue

Note: Packing 25 unit



NPT Male Branch T Hose Connector

Cat. No.	ID inch	M (NPT)	L mm	L1 mm	Colour
12257102023	5/32"	1/8"	45.1	26.0	Grey
12257102043	5/32"	1/4"	45.1	30.7	Grey
12257103023	3/16"	1/8"	56.3	28.6	Grey
12257103043	3/16"	1/4"	56.3	33.4	Grey
12257103083	3/16"	1/2"	56.3	39.3	Grey
12257104023	1/4"	1/8"	63.0	29.4	Grey
12257104043	1/4"	1/4"	63.0	33.8	Grey
12257104063	1/4"	3/8"	63.0	33.7	Grey
12257104083	1/4"	1/2"	63.0	40.3	Grey
12257105023	5/16"	1/8"	72.5	32.3	Grey
12257105043	5/16"	1/4"	72.5	36.8	Grey
12257105063	5/16"	3/8"	72.5	36.9	Grey
12257105083	5/16"	1/2"	72.5	42.8	Grey
12257106043	3/8"	1/4"	78.5	38.0	Grey
12257106063	3/8"	3/8"	78.5	37.7	Grey
12257106083	3/8"	1/2"	78.5	44.0	Grey
12257106123	3/8"	3/4"	78.5	43.8	Grey
12257108043	1/2"	1/4"	82.6	39.3	Grey
12257108063	1/2"	3/8"	82.6	38.8	Grey
12257108083	1/2"	1/2"	82.6	45.5	Grey
12257108123	1/2"	3/4"	82.6	45.5	Grey
12257109063	9/16"	3/8"	85.2	42.6	Grey
12257109083	9/16"	1/2"	85.2	48.3	Grey
12257109123	9/16"	3/4"	85.2	48.3	Grey
12257110083	5/8"	1/2"	88.4	51.5	Grey
12257110123	5/8"	3/4"	88.4	51.1	Grey
12257112083	3/4"	1/2"	90.5	53.0	Grey
12257112123	3/4"	3/4"	90.5	52.5	Grey

Note: Packing 25 unit

Fittings - Hose Fittings

NYLON 6-6



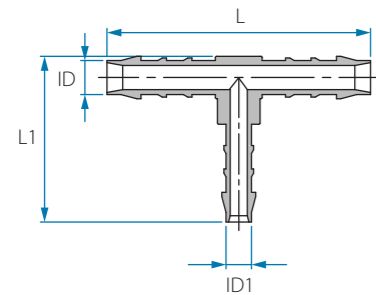
Working pressure
Up to 14 BAR
(200 psi) at 20 °C



Temperature
-20 °C - 110 °C
(subject to application)



Fittings' dimensions
refer to tube ID or OD, with respect to
the common application.



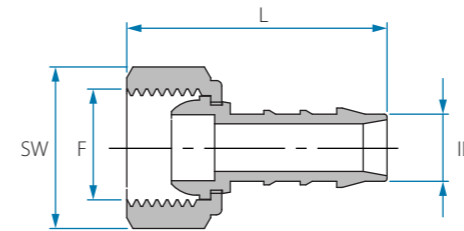
Reducing T Hose Connector

Cat. No.	ID mm	ID1 mm	L mm	L1 mm	Colour
12447245448	5	4	50.7	25.7	Blue
12447246458	6	5	55.7	31.8	Blue
12447248468	8	6	61.5	36.2	Blue
12447250488	10	8	66.5	39.3	Blue
12447252508	12	10	70.6	44.5	Blue
12447254528	14	12	76.7	44.5	Blue
12447256548	16	14	79.5	51.1	Blue
12447259568	19	16	84.6	55.4	Blue

Note: Packing 25 unit

Cat. No.	ID inch	ID1 inch	L mm	L1 mm	Colour
12257203023	3/16"	5/32"	50.6	25.9	Grey
12257204033	1/4"	3/16"	55.8	32.0	Grey
12257205043	5/16"	1/4"	61.5	36.2	Grey
12257206053	3/8"	5/16"	66.5	39.3	Grey
12257208063	1/2"	3/8"	70.3	43.5	Grey
12257209083	5/8"	1/2"	76.3	48.0	Grey
12257210093	3/4"	5/8"	79.4	51.0	Grey
12257212103	1"	3/4"	84.3	55.2	Grey

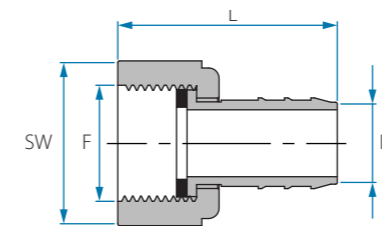
Note: Packing 25 unit



Note: No need for flat washer

Female Swivel Straight Hose Connector - Conical Seat

Cat. No.	ID mm	F (BSPT)	L mm	SW	Colour
22444644028	4	1/8"	275	13	Blue
22444644048	4	1/4"	31.7	17	Blue
22444645028	5	1/8"	32.0	13	Blue
22444645048	5	1/4"	36.2	17	Blue
22444645068	5	3/8"	36.0	20	Blue
22444646048	6	1/4"	37.3	17	Blue
22444646068	6	3/8"	36.8	20	Blue
22444646088	6	1/2"	39.5	24	Blue
22444648048	8	1/4"	41.3	17	Blue
22444648068	8	3/8"	40.8	20	Blue
22444648088	8	1/2"	43.6	24	Blue
22444648128	8	3/4"	43.4	30	Blue
22444650068	10	3/8"	42.8	20	Blue
22444650088	10	1/2"	43.6	24	Blue
22444650128	10	3/4"	45.6	30	Blue
22444652088	12	1/2"	46.7	24	Blue
22444652128	12	3/4"	46.5	30	Blue
22444654088	14	1/2"	48.9	24	Blue
22444654128	14	3/4"	48.1	30	Blue
22444656128	16	3/4"	48.5	30	Blue
22444659128	19	3/4"	49.3	30	Blue
22444648042	8	1/4"	41.3	17	Black
22444650062	10	3/8"	42.8	20	Black
22444652082	12	1/2"	46.7	24	Black




Note: Sealing is by flat washer
(order separately)


Female Swivel Straight Hose Connector

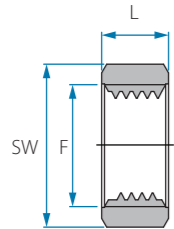
Cat. No.	ID mm	F (BSPT)	L mm	SW	Colour
22454765168	24	1"	618	44	Blue

Fittings - Threaded Connectors

NYLON 6-6

 Working pressure
Up to 14 BAR
(200 psi) at 20 °C

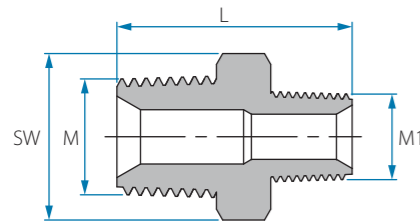
 Temperature
-20 °C - 110 °C
(subject to application)



Panel Mounting Nut

Cat. No.	F (BSPT)	L mm	SW	Colour
**32006100042	1/4"	5.0	17	● Black
32006100081	1/2"	11.6	26	○ White
32006100082	1/2"	11.6	26	● Black
32006100088	M20	11.6	26	● Blue
*32006100201	1/2"	5.0	26	○ White

Note: Packing 25 unit
* Thin configuration
** Acetal



BSPT Pipe Reducing Nipple

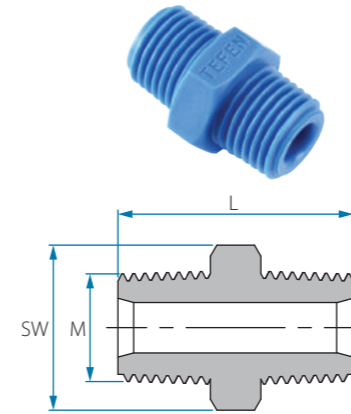
Cat. No.	M (BSPT)	M1 (BSPT)	L mm	SW	Colour
12012304028	1/4"	1/8"	25.2	14	● Blue
12012306028	3/8"	1/8"	27.1	17	
12012306048	3/8"	1/4"	28.5	17	
12012308048	1/2"	1/4"	31.5	22	
12012308068	1/2"	3/8"	31.5	22	

Note: Packing 25 unit

NPT Pipe Reducing Nipple

Cat. No.	M (NPT)	M1 (NPT)	L mm	SW	Colour
12022304023	1/4"	1/8"	28.4	14	● Grey
12022306023	3/8"	1/8"	29.6	17	
12022308023	1/2"	1/8"	34.9	22	
12022312023	3/4"	1/8"	35.4	27	
12022306043	3/8"	1/4"	33.4	17	
12022308043	1/2"	1/4"	38.7	22	
12022312043	3/4"	1/4"	39.4	27	
12022308063	1/2"	3/8"	39.1	22	
12022312063	3/4"	3/8"	39.6	27	
12022312083	3/4"	1/2"	44.1	27	

Note: Packing 25 unit



BSPT Pipe Hex Nipple

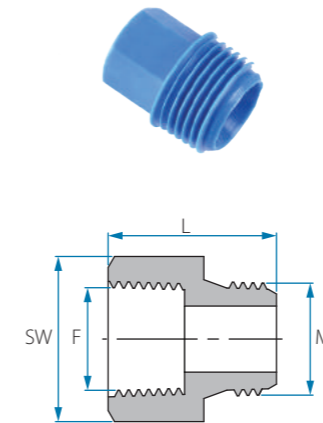
Cat. No.	M (BSPT)	L mm	SW	Colour
12012202028	1/8"	23.2	11	● Blue
12012204048	1/4"	27.1	14	
12012206068	3/8"	28.2	17	
12012208088	1/2"	34.1	22	

Note: Packing 25 unit

NPT Pipe Hex Nipple

Cat. No.	M (NPT)	L mm	SW	Colour
12022202023	1/8"	23.9	11	● Grey
12022204043	1/4"	32.7	14	
12022206063	3/8"	34.4	17	
12022208083	1/2"	43.3	22	
12022212123	3/4"	44.4	27	

Note: Packing 25 unit



BSPT Pipe Adaptor

Cat. No.	F (BSPT)	M (BSPT)	L mm	SW	Colour
12012002028	1/8"	1/8"	23.0	14	● Blue
12012002048	1/8"	1/4"	23.0	14	
12012002068	1/8"	3/8"	24.0	14	
12012002088	1/8"	1/2"	26.9	14	
12012004028	1/4"	1/8"	22.1	17	
12012004048	1/4"	1/4"	24.0	17	
12012004068	1/4"	3/8"	24.8	17	
12012004088	1/4"	1/2"	27.2	17	
12012006028	3/8"	1/8"	23.1	22	
12012006048	3/8"	1/4"	25.2	22	
12012006068	3/8"	3/8"	25.7	22	
12012006088	3/8"	1/2"	28.2	22	
12012008028	1/2"	1/8"	25.6	26	
12012008048	1/2"	1/4"	27.3	26	
12012008068	1/2"	3/8"	28.0	26	
12012008088	1/2"	1/2"	30.6	26	

Note: Packing 25 unit

Fittings - Threaded Connectors

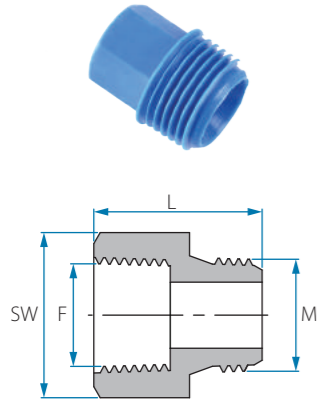
NYLON 6-6



Working pressure
Up to 14 BAR
(200 psi) at 20 °C



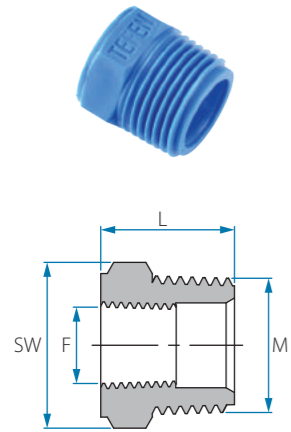
Temperature
-20 °C - 110 °C
(subject to application)



NPT Pipe Adaptor

Cat. No.	F (NPT)	M (NPT)	L mm	SW	Colour
12022002023	1/8"	1/8"	23.4	14	Grey
12022002043	1/8"	1/4"	23.4	14	Grey
12022002063	1/8"	3/8"	27.4	14	Grey
12022002083	1/8"	1/2"	32.5	14	Grey
12022004023	1/4"	1/8"	26.5	17	Grey
12022004043	1/4"	1/4"	30.7	17	Grey
12022004063	1/4"	3/8"	30.5	17	Grey
12022004083	1/4"	1/2"	35.5	17	Grey
12022006023	3/8"	1/8"	26.3	22	Grey
12022006043	3/8"	1/4"	26.5	22	Grey
12022006063	3/8"	3/8"	30.4	22	Grey
12022006083	3/8"	1/2"	35.5	22	Grey
12022008023	1/2"	1/8"	30.0	26	Grey
12022008043	1/2"	1/4"	34.0	26	Grey
12022008063	1/2"	3/8"	36.6	26	Grey
12022008083	1/2"	1/2"	39.0	26	Grey

Note: Packing 25 unit



BSPT Pipe Bushing

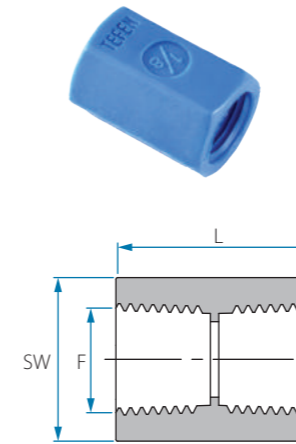
Cat. No.	M (BSPT)	F (BSPT)	L mm	SW	Colour
12011004028	1/4"	1/8"	17.2	14	Blue
12011006028	3/8"	1/8"	17.8	17	Blue
12011006048	3/8"	1/4"	17.8	17	Blue
12011008028	1/2"	1/8"	20.7	22	Blue
12011008048	1/2"	1/4"	20.4	22	Blue
12011008068	1/2"	3/8"	20.7	22	Blue
12011012048	3/4"	1/4"	22.0	27	Blue
12011012068	3/4"	3/8"	22.2	27	Blue
12011012088	3/4"	1/2"	22.4	27	Blue

Note: Packing 25 unit

NPT Pipe Bushing

Cat. No.	M (NPT)	F (NPT)	L mm	SW	Colour
12021004023	1/4"	1/8"	21.0	15	Grey
12021006023	3/8"	1/8"	20.8	18	Grey
12021006043	3/8"	1/4"	20.8	19	Grey
12021008023	1/2"	1/8"	27.2	24	Grey
12021008043	1/2"	1/4"	27.1	19	Grey
12021008063	1/2"	3/8"	27.2	29	Grey
12021012043	3/4"	1/4"	27.0	29	Grey
12021012063	3/4"	3/8"	27.2	29	Grey
12021012083	3/4"	1/2"	27.3	29	Grey

Note: Packing 25 unit



BSPT Female Pipe Coupling

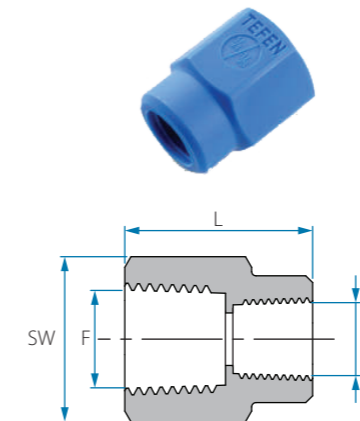
Cat. No.	F (BSPT)	L mm	SW	Colour
12010302021	1/8"	20.0	14	White
12010304042	1/4"	23.6	17	Black
12010312122	3/4"	38.0	34	Black
12010302028	1/8"	20.0	14	Blue
12010304048	1/4"	23.6	17	Blue
12010306068	3/8"	24.5	21	Blue
12010308088	1/2"	29.7	26	Blue
12010312128	3/4"	38.0	34	Blue

Note: Packing 25 unit

NPT Female Pipe Coupling

Cat. No.	F (NPT)	L mm	SW	Colour
12020302023	1/8"	19.7	14	Grey
12020304043	1/4"	23.5	17	Grey
12020306063	3/8"	24.6	22	Grey
12020308083	1/2"	29.5	27	Grey

Note: Packing 25 unit



BSPT Pipe Reducing Coupling

Cat. No.	F (BSPT)	F1 (BSPT)	L mm	SW	Colour
12011904028	1/4"	1/8"	22.0	17	Blue
12011906028	3/8"	1/8"	24.5	21	Blue
12011906048	3/8"	1/4"	24.5	21	Blue
12011908048	1/2"	1/4"	27.0	26	Blue
12011908068	1/2"	3/8"	27.0	26	Blue
12011912048	3/4"	1/4"	30.1	34	Blue
12011912088	3/4"	1/2"	35.0	34	Blue

Note: Packing 25 unit


NPT Pipe Reducing Coupling


Cat. No.	F (NPT)	F1 (NPT)	L mm	SW	Colour
12021904023	1/4"	1/8"	22.0	17	Grey
12021906023	3/8"	1/8"	24.4	22	Grey
12021906043	3/8"	1/4"	24.8	22	Grey
12021908043	1/2"	1/4"	27.0	26	Grey
12021908063	1/2"	3/8"	26.8	26	Grey

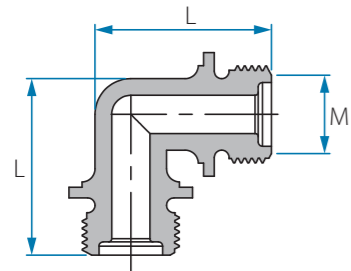
Note: Packing 25 unit

Fittings - Threaded Connectors

NYLON 6-6

 Working pressure
Up to 14 BAR
(200 psi) at 20 °C

 Temperature
-20 °C - 110 °C
(subject to application)



BSPT Threaded Elbow

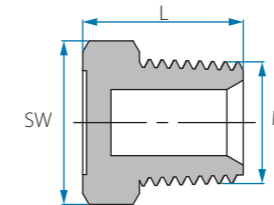
Cat. No.	M (BSPT)	L mm	Colour
12016502008	1/8"	24.4	Blue
12016504008	1/4"	26.4	Blue
12016506008	3/8"	31.8	
12016508008	1/2"	40.2	Black
12016502002	1/8"	24.4	
12016504001	1/4"	26.4	White
12016504002	1/4"	26.4	Black
12016504007	1/4"	26.4	Green

Note: Packing 25 unit

NPT Threaded Elbow

Cat. No.	M (NPT)	L mm	Colour
12026502003	1/8"	23.8	Grey
12026504003	1/4"	28.4	

Note: Packing 25 unit



BSPT Hex Threaded Plug

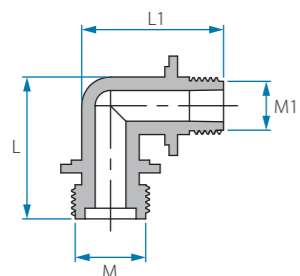
Cat. No.	M (BSPT)	L mm	SW	Colour
12012102008	1/8"	13.6	11	Blue
12012104008	1/4"	16.6	14	
12012106008	3/8"	16.1	17	
12012108008	1/2"	19.6	22	
12012112008	3/4"	22.0	27	
12012116008	1"	27.0	36	White
12012104001	1/4"	16.6	14	
12012104002	1/4"	16.6	14	

Note: Packing 25 unit

NPT Hex Threaded Plug

Cat. No.	M (NPT)	L mm	SW	Colour
12022102003	1/8"	14.7	11	Grey
12022104003	1/4"	19.4	14	
12022106003	3/8"	20.4	17	
12022108003	1/2"	25.6	22	
12022112003	3/4"	26.0	27	

Note: Packing 25 unit



BSPT Reducing Threaded Elbow

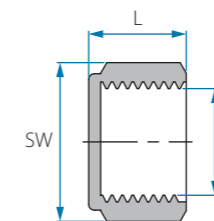
Cat. No.	M (BSPT)	M1 (BSPT)	L mm	L1 mm	Colour
12016904028	1/4"	1/8"	26.4	24.4	Blue
12016906048	3/8"	1/4"	31.8	31.5	
12016908068	1/2"	3/8"	40.0	38.1	

Note: Packing 25 unit

NPT Reducing Threaded Elbow

Cat. No.	M (NPT)	M1 (NPT)	L mm	L1 mm	Colour
12026904023	1/4"	1/8"	28.4	24.0	Grey

Note: Packing 25 unit



BSPT Pipe Cap


Cat. No.	F (BSPT)	L mm	SW	Colour
12010802008	1/8"	10.4	13	Blue
12010804008	1/4"	14.2	17	
12010806008	3/8"	14.2	20	
12010808008	1/2"	17.1	24	
12010812008	3/4"	17.1	30	


Note: Packing 25 unit

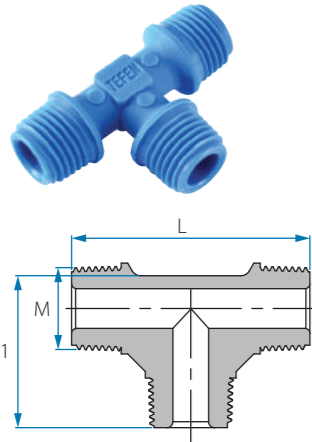
FLOW PRODUCTS

Fittings - Threaded Connectors

NYLON 6-6

 Working pressure
Up to 14 BAR
(200 psi) at 20 °C

 Temperature
-20 °C - 110 °C
(subject to application)



BSPT Pipe T

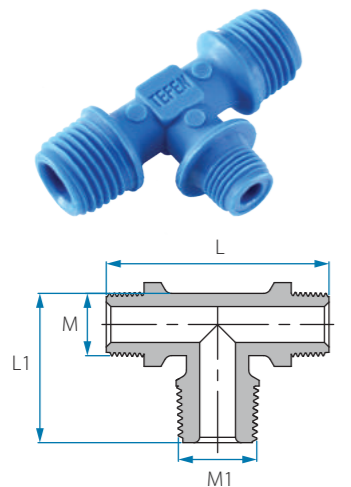
Cat. No.	M (BSPT)	L mm	L1 mm	Colour
12016402008	1/8"	39.8	24.1	Blue
12016404008	1/4"	44.0	26.2	
12016406008	3/8"	50.5	32.0	
12016408008	1/2"	64.0	40.3	

Note: Packing 25 unit

NPT Pipe T

Cat. No.	M (NPT)	L mm	L1 mm	Colour
12026402003	1/8"	39.3	24.0	Grey
12026404003	1/4"	48.4	28.5	

Note: Packing 25 unit



BSPT Pipe Reducing Branch T

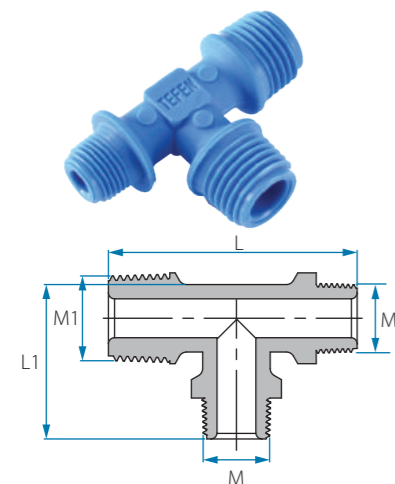
Cat. No.	M (BSPT)	M1 (BSPT)	L mm	L1 mm	Colour
12017102048	1/8"	1/4"	39.7	26.4	Blue
12017104028	1/4"	1/8"	43.3	24.2	
12017104068	1/4"	3/8"	43.3	38.2	
12017106048	3/8"	1/4"	60.2	26.4	
12017108068	1/2"	3/8"	64.2	38.2	
12017106088	3/8"	1/2"	60.2	40.4	

Note: Packing 25 unit

NPT Pipe Reducing Branch T

Cat. No.	M (BSPT)	M1 (BSPT)	L mm	L1 mm	Colour
12027104023	1/4"	1/8"	48.4	24.0	Grey

Note: Packing 25 unit



BSPT Pipe Reducing Run T

Cat. No.	M (BSPT)	M1 (BSPT)	L mm	L1 mm	Colour
12017204028	1/4"	1/8"	41.8	26.3	Blue
12017206048	3/8"	1/4"	48.3	30.8	
12017208068	1/2"	3/8"	62.0	40.0	
12017202048	1/8"	1/4"	42.7	25.5	
12017204068	1/4"	3/8"	48.5	31.0	
12017206088	3/8"	1/2"	62.0	38.2	


Note: Packing 25 unit


NPT Pipe Reducing Run T

Cat. No.	M (NPT)	M1 (NPT)	L mm	L1 mm	Colour
12027204023	1/4"	1/8"	41.8	26.3	Grey

Note: Packing 25 unit

Fittings - Quick Release

 Working pressure
Up to 14 BAR
(200 psi) at 20 °C

 Temperature
4 °C - 90 °C
(subject to application)

The special quick connector offers a fast and reliable push-to-connect mechanism. The movable outer sleeve locks the plug into the socket.

When the plug is disconnected, the socket acts as a shut-off valve.

A variety of plugs can be connected and used, according to hydraulic or pneumatic needs.

part	material
Body	Nylon 6-6
Internal parts	Acetal
spring	SS 316



Quick Release Socket

Cat. No.	F (BSPT)	L mm	SW	O-ring	Colour
22080004000	1/4"	44.0	19	NBR	Red
22081104002	1/4"	44.0	19	EPDM	

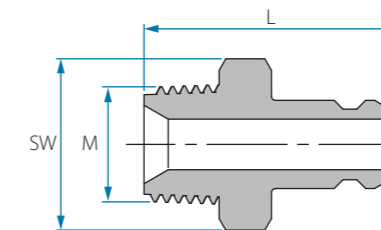
ACETAL



Plug - External Thread

Cat. No.	M (BSPT)	L mm	SW	Colour
12081404006	1/4"	31.2	17	Red

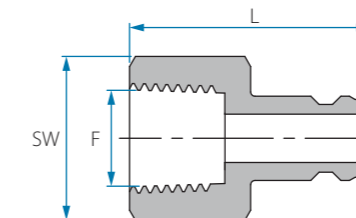
Note: Packing 25 unit



Plug - Internal Thread

Cat. No.	F (BSPT)	L mm	SW	Colour
12081504006	1/4"	28.6	17	Red

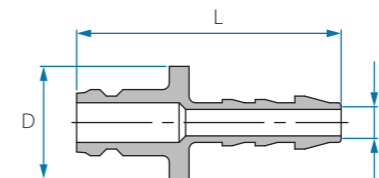
Note: Packing 25 unit



Plug - Hose Connector

Cat. No.	ID mm	L mm	D	Colour
12081645006	5	37.8	16.7	Red
12081646006	6	39.8	16.7	
12081648006	8	43.2	16.8	
12081650006	10	43.2	16.8	
12081652006	12	43.2	16.8	

Note: Packing 25 unit



Fittings' dimensions refer to tube ID or OD, with respect to the common application.

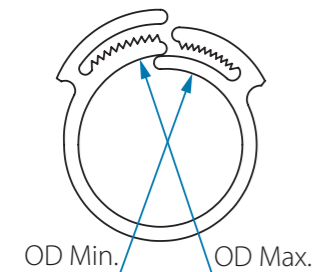
The Tefen snap clips are the simple and fast solution for securing flexible hoses and tubes on any barb fittings.

How to use: Insert the snap clip onto the tube on place, and give it a manual press to ensure snug joint.

Use a plier for final tightening.

How to release: apply lateral pressure to unlock it.

Main advantages: Strong, Durable, Reusable, reasonable price.



Snap Clip Acetal

Cat. No.	R	OD min - OD max	Colour
17090010002	R-8	8-10	● Black
17090012002	R-10	10-12	
17090013002	R-11	11-13	
17090015002	R-13	13-15	
17090016002	R-14	14-16	
17090017002	R-15	15-17	
17090018002	R-16	16-18	
17090019002	R-17	17-19	
17090020002	R-18	18-20	
17090021002	R-20	20-22	
17090023002	R-21	21-23	
17090025002	R-23	23-25	
17090028002	R-26	26-28	
17090049002	R-47	47-49	

BSPT Female Union Swivel Connector

Cat. No.	Tube OD mm	Thread BSPT inch	d small	Thread Type	SW	Colour
22044704121	1/4"	3/4"	6.2	BSPT	14	○ White
22044746121	6	3/4"	6.2	BSPT	14	
22044648121	8	3/4"	6.2	BSPT	14	
22044750121	10	3/4"	6.2	BSPT	17	
22044752121	12	3/4"	6.2	BSPT	19	

Note: POLYPROPYLENE

Product is sold without flat seal (can be ordered separately)

BSPT Female Union Swivel Connector

Cat. No.	Tube OD mm	Thread BSPT inch	d small	Thread Type	SW	SW1	Colour
22044746061	6	3/8"	6.2	BSPT	14	20	○ White
22044746081	6	1/2"	6.2	BSPT	14	24	
22044748061	8	3/8"	6.2	BSPT	14	20	
22044748081	8	1/2"	6.2	BSPT	14	24	
22044750081	10	1/2"	6.2	BSPT	14	24	

Note: POLYPROPYLENE



BSPT Female Elbow Swivel Connector

Cat. No.	OD mm	F (BSPT)	L mm	L1 mm	Material	Colour
22044548121	8	3/4"	40.0	42.5	PP	○ White
224547E8121	8	3/4"	40.0	42.5	Acetal	

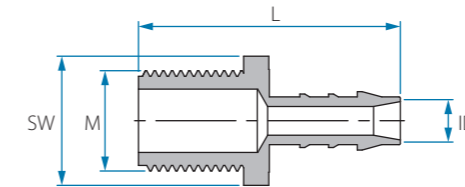
Note: Product is sold without flat seal (can be ordered separately)



Special Panel Male Hose Connector

Cat. No.	ID mm	M (BSPT)	L mm	SW	Colour
12P46850088	10	1/2"	53.4	27	● Blue

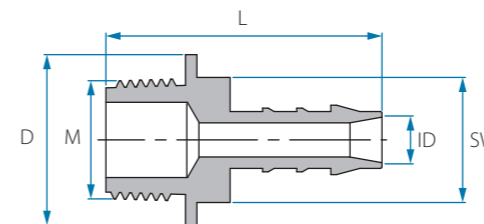
Note: Packing 25 unit



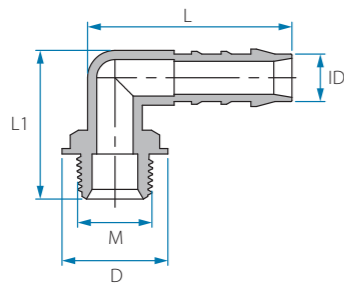
Flange Mounting Male Hose Connector

Cat. No.	ID mm	M (BSPT)	L mm	D mm	SW	Colour
12F46850088	10	1/2"	49.3	30.0	22	● Blue

Note: Packing 25 unit



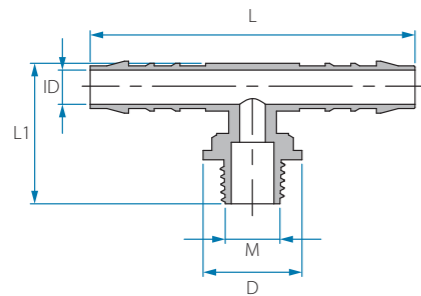
Fittings' dimensions refer to tube ID or OD, with respect to the common application.



BSPT Male Elbow Hose Connector - Flange

Cat. No.	ID mm	M (BSPT)	L mm	L1 mm	D mm	Colour
12F46950068	10	3/8"	45.7	34.7	23.5	Blue
12F46950088	10	1/2"	45.5	38.9	30.0	Blue

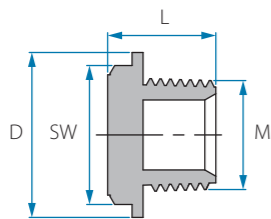
Note: Packing 25 unit



BSPT Flange Branch T Hose Connector

Cat. No.	ID mm	M (BSPT)	L mm	L1 mm	D mm	Colour
12F47150068	10	3/8"	79.0	34.5	23.5	Blue
12F47150088	10	1/2"	78.9	39.2	30.0	Blue

Note: Packing 25 unit



BSPT Hex Threaded Flange Plug

Cat. No.	M (BSPT)	L mm	SW	D mm	Colour
12012108L08	1/2"	21.9	22	29.9	Blue

Note: Packing 25 unit

Custom Made Threaded Plug

Cat. No.	M (NPT)	L mm	SW	Colour
12S22108003	1/2"	25.3	22	Grey

Note: Packing 25 unit

Custom Made Reducing Coupling

Cat. No.	F (NPT)	F1 (BSPT)	L mm	SW	Colour
12011908063	1/2"	3/8"	27.7	27	Grey

Note: Packing 25 unit

Flow Products





info@iq-parts.nl
Harsweg 34A
2461 EZ Ter Aar
T +31 252 624 126
The Netherlands