

iQ parts
IQ-PARTS-SHOP.COM



**SPECS &
INFORMATION**



MULTIBAND

Jubilee® Multiband is a self-assembly, endless banding or screw band system, which allows the user to cut the band to the desired length.

Used in areas such as heating, ventilation and air conditioning (HVAC), sign fixing, conduit and cable retention and lagging, this product is highly versatile.

The Jubilee® Multiband system comprises a worm drive steel strip that is cut to the length required, and screw housings which slide onto the band. The band can then be tightened onto pipes or ducts of almost any diameter. A number of screw and housing designs and two band widths are available to suit any application.



- Choose Multiband to make a clip to any size.
- Quick, versatile and convenient.
- Simply cut to length, add a housing, insert a screw and tighten to size.



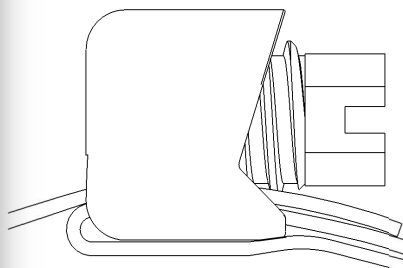
Available in:-

Zinc Plated Mild Steel

304 Stainless Steel

MULTIBAND

Zinc Plated Mild Steel:-



Range	Adjustment mm	Band Width mm	Band Thickness mm	Recommended Torque Nm	Maximum Torque Nm	Maximum Pressure PSI	Range
MB11MS	Cut to length	11.0	0.82	3.4	4.5	n/a	MB11MS

Component Parts for MB11MS:-



Banding in dispensers of 10m

Part No. **MB1701**

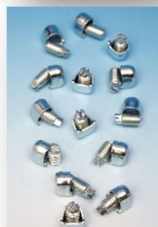
- 11mm wide
- 10 metre roll
- Zinc plated mild steel



Banding in dispensers of 30m

Part No. **MB1702**

- 11mm wide
- 30 metre roll
- Zinc plated mild steel



Housings/screws for use with 11mm Multiband

Part No. **MB1704**

- Solid housing
- 7mm A/F hexagonal screw
- Box of 25 sets
- Zinc plated mild steel



Captive housings/screws for use with 11mm Multiband

Part No. **MB1706**

- 7mm A/F hexagonal screw
- Box of 25 sets
- Zinc plated mild steel



Housings/Allen screws for use with 11mm Multiband

Part No. **MB1705**

- Solid housing
- 3/16" recess hexagonal key slot
- Box of 25 sets
- Zinc plated mild steel



Handy Pack

Part No. **MB1708**

- 11mm wide
- 10 metre roll
- 25 solid housings/screws
- Zinc plated mild steel



Pocket Pack

Part No. **MB1707**

- 11mm wide
- 3 metre roll
- 8 solid housings/screws
- Zinc plated mild steel

Corrosion Resistance: 240 hours NSS Test

Fastening: 7mm A/F screw

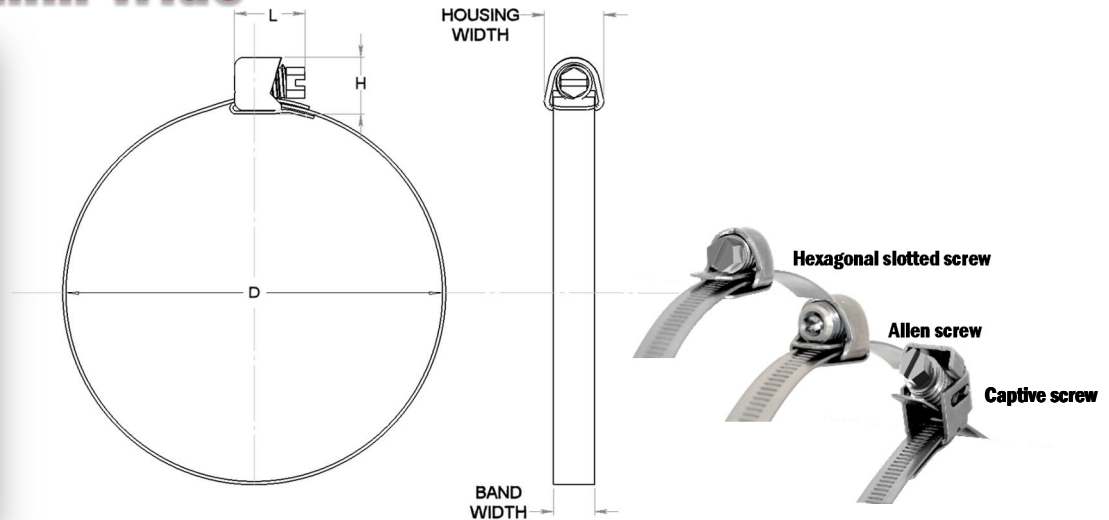
Industry Recommendations:-

Zinc Plated Mild Steel

The finest hose clip
in the world



MULTIBAND 304 Stainless Steel:- 11mm Wide



Range	Adjustment mm	Band Width mm	Band Thickness mm	Recommended Torque Nm	Maximum Torque Nm	Maximum Pressure PSI	Range
MB11SS	Cut to length	11.0	0.80	3.4	4.5	n/a	MB11SS

Component Parts for MB11SS:-



Banding in dispensers of 10m

Part No. **MB1801**

- 11mm wide
- 10 metre roll
- 304 Stainless steel



Banding in dispensers of 30m

Part No. **MB1802**

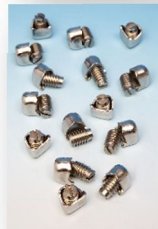
- 11mm wide
- 30 metre roll
- 304 Stainless steel



Handy Pack

Part No. **MB1806**

- 11mm wide
- 10 metre roll
- 25 solid housings/screws
- 304 Stainless steel



Housings/screws for use with 11mm Multiband

Part No. **MB1803**

- Solid housing
- 7mm A/F hexagonal screw
- Box of 25 sets
- 304 Stainless steel



Captive housings/screws for use with 11mm Multiband

Part No. **MB1805**

- 7mm A/F hexagonal screw
- Box of 25 sets
- 304 Stainless steel



Housings/Allen screws for use with 11mm Multiband

Part No. **MB1804**

- Solid housing
- $\frac{3}{16}$ " recess hexagonal key slot
- Box of 25 sets
- 304 Stainless steel

Corrosion Resistance: 1000 hours NSS Test

Fastening: 7mm A/F screw

Industry Recommendations:-



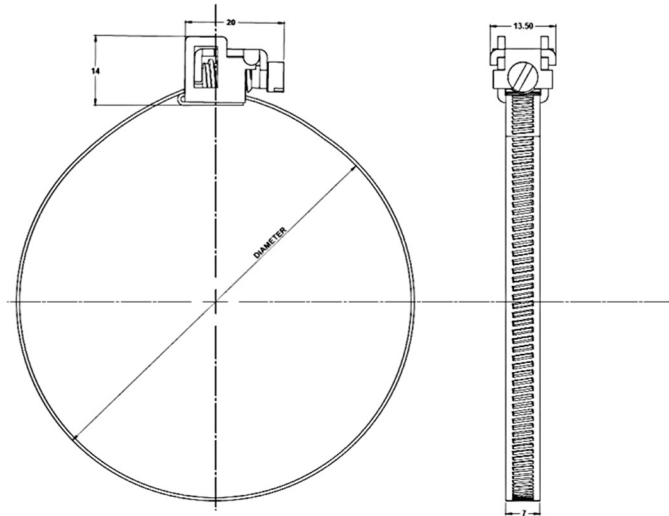
Pocket Pack

Part No. **MB1807**

- 11mm wide
- 3 metre roll
- 8 solid housings/screws
- 304 Stainless Steel

304 Stainless Steel

MULTIBAND 304 Slimline Stainless Steel:- 7mm Wide



Range	Adjustment mm	Band Width mm	Band Thickness mm	Recommended Torque Nm	Maximum Torque Nm	Maximum Pressure PSI	Range
MB07SS	Cut to length	7.0	0.56	3.0	4.0	n/a	MB07SS

Component Parts for MB07SS:-



Banding in dispensers of 25m

Part No. **MB1601**

- 7mm wide
- 25 metre roll
- 304 Stainless steel



Banding in dispensers of 50m

Part No. **MB1602**

- 7mm wide
- 50 metre roll
- 304 Stainless steel



Flip/Lock housings/screws for use with 7mm Multiband

Part No. **MB1603**

- 304 Stainless steel
- Box of 25 sets



Pocket Pack

Part No. **MB1607**

- 7mm wide
- 8 metre roll
- 10 flip/lock housings/screws
- 304 Stainless Steel



Flip/lock screw

Corrosion Resistance: 1000 hours NSS Test

Fastening: 7mm A/F screw

Industry Recommendations:-



304 Stainless Steel

The finest hose clip
in the world



QUICK RELEASE STRAPS

Jubilee Quick Release Straps are used in a wide range of applications where a closed installation requires the clamp to be opened fully for positioning. Examples include sign fixing, cable retention, repairs and heating, ventilation and air conditioning. Jubilee Quick Release Straps are available in mild and stainless steel and manufactured at our Birmingham (UK) plant.

Jubilee Quick Release Straps are manufactured with a quick release swivel housing design which locks into position once the clip is fastened. The strong housing design ensures a higher maximum tightening torque than other quick release designs and the screw fitting requires no specialist tools to install, making installation quicker and more cost effective than some more complex solutions. The design also benefits from being reusable. Jubilee Quick Release Straps may also be used in cable retaining applications where nylon cable ties are not suitable due to fire regulations.

Jubilee Quick Release Straps have a very wide clamping range and excess band material can be removed at the point of installation. These clamps are flexible enough to conform to unusually shaped fittings and they are also suitable for very large diameter applications. Jubilee Quick Release Straps are available in 11mm band width in zinc protected mild steel and all parts 304 stainless steel. There is also a slimline 7mm band width version with flip/lock design which is available in all parts 304 stainless steel only and is suitable where space or weight are at a premium.



- 7mm hex head or slotted design
- Zinc protected mild steel or all 304 stainless steel
- 11mm or 7mm band width
- Made in UK



Available in:-

Mild Steel Zinc Protected

304 Stainless Steel

QUICK RELEASE STRAPS

Zinc Protected Mild Steel:-



Part No.	Adjustment mm	Band Width mm	Band Thickness mm	Recommended Torque Nm	Maximum Torque Nm	Part No.
CAS050MS	35-50	11	0.82	3.4	4.5	CAS050MS
CAS075MS	45-75	11	0.82	3.4	4.5	CAS075MS
CAS100MS	50-100	11	0.82	3.4	4.5	CAS100MS
CAS120MS	50-120	11	0.82	3.4	4.5	CAS120MS
CAS150MS	50-150	11	0.82	3.4	4.5	CAS150MS
CAS175MS	50-175	11	0.82	3.4	4.5	CAS175MS
CAS200MS	50-200	11	0.82	3.4	4.5	CAS200MS
CAS225MS	50-225	11	0.82	3.4	4.5	CAS225MS
CAS250MS	50-250	11	0.82	3.4	4.5	CAS250MS
CAS275MS	50-275	11	0.82	3.4	4.5	CAS275MS
CAS300MS	50-300	11	0.82	3.4	4.5	CAS300MS
CAS330MS	50-330	11	0.82	3.4	4.5	CAS330MS
CAS355MS	50-355	11	0.82	3.4	4.5	CAS355MS
CAS380MS	50-380	11	0.82	3.4	4.5	CAS380MS
CAS405MS	50-405	11	0.82	3.4	4.5	CAS405MS
CAS455MS	50-455	11	0.82	3.4	4.5	CAS455MS
CAS505MS	50-505	11	0.82	3.4	4.5	CAS505MS
CAS555MS	50-555	11	0.82	3.4	4.5	CAS555MS
CAS605MS	50-605	11	0.82	3.4	4.5	CAS605MS
CAS710MS	50-710	11	0.82	3.4	4.5	CAS710MS
CAS810MS	50-810	11	0.82	3.4	4.5	CAS810MS
CAS910MS	50-910	11	0.82	3.4	4.5	CAS910MS
CAS965MS	50-965	11	0.82	3.4	4.5	CAS965MS

Corrosion Resistance: 240 hours NSS Test

Fastening: 7mm A/F (captive housing and screw)

Industry Recommendations:-



Mild Steel Zinc Protected

The finest hose clip
in the world



QUICK RELEASE STRAPS

304 Stainless Steel:-

11mm Wide



Part No.	Adjustment mm	Band Width mm	Band Thickness mm	Recommended Torque Nm	Maximum Torque Nm	Part No.
CAS050SS	35-50	11	0.80	3.4	4.5	CAS050SS
CAS075SS	45-75	11	0.80	3.4	4.5	CAS075SS
CAS100SS	50-100	11	0.80	3.4	4.5	CAS100SS
CAS120SS	50-120	11	0.80	3.4	4.5	CAS120SS
CAS150SS	50-150	11	0.80	3.4	4.5	CAS150SS
CAS175SS	50-175	11	0.80	3.4	4.5	CAS175SS
CAS200SS	50-200	11	0.80	3.4	4.5	CAS200SS
CAS225SS	50-225	11	0.80	3.4	4.5	CAS225SS
CAS250SS	50-250	11	0.80	3.4	4.5	CAS250SS
CAS275SS	50-275	11	0.80	3.4	4.5	CAS275SS
CAS300SS	50-300	11	0.80	3.4	4.5	CAS300SS
CAS330SS	50-330	11	0.80	3.4	4.5	CAS330SS
CAS355SS	50-355	11	0.80	3.4	4.5	CAS355SS
CAS380SS	50-380	11	0.80	3.4	4.5	CAS380SS
CAS405SS	50-405	11	0.80	3.4	4.5	CAS405SS
CAS455SS	50-455	11	0.80	3.4	4.5	CAS455SS
CAS505SS	50-505	11	0.80	3.4	4.5	CAS505SS
CAS555SS	50-555	11	0.80	3.4	4.5	CAS555SS
CAS605SS	50-605	11	0.80	3.4	4.5	CAS605SS
CAS710SS	50-710	11	0.80	3.4	4.5	CAS710SS
CAS810SS	50-810	11	0.80	3.4	4.5	CAS810SS
CAS910SS	50-910	11	0.80	3.4	4.5	CAS910SS
CAS965SS	50-965	11	0.80	3.4	4.5	CAS965SS

Corrosion Resistance: 1000 hours NSS Test

Fastening: 7mm A/F (captive housing and screw)

Industry Recommendations:-



304 Stainless Steel

QUICK RELEASE STRAPS

304 Stainless Steel:-

7mm Wide



Part No.	Adjustment mm	Band Width mm	Band Thickness mm	Recommended Torque Nm	Maximum Torque Nm	Part No.
FLS050SS	35-50	7	0.56	3.0	4.0	FLS050SS
FLS075SS	45-75	7	0.56	3.0	4.0	FLS075SS
FLS100SS	50-100	7	0.56	3.0	4.0	FLS100SS
FLS120SS	50-120	7	0.56	3.0	4.0	FLS120SS
FLS150SS	50-150	7	0.56	3.0	4.0	FLS150SS
FLS175SS	50-175	7	0.56	3.0	4.0	FLS175SS
FLS200SS	50-200	7	0.56	3.0	4.0	FLS200SS
FLS225SS	50-225	7	0.56	3.0	4.0	FLS225SS
FLS250SS	50-250	7	0.56	3.0	4.0	FLS225SS
FLS275SS	50-275	7	0.56	3.0	4.0	FLS275SS
FLS300SS	50-300	7	0.56	3.0	4.0	FLS300SS
FLS330SS	50-330	7	0.56	3.0	4.0	FLS330SS
FLS355SS	50-355	7	0.56	3.0	4.0	FLS355SS
FLS380SS	50-380	7	0.56	3.0	4.0	FLS380SS
FLS405SS	50-405	7	0.56	3.0	4.0	FLS405SS



Corrosion Resistance: 1000 hours NSS Test

Fastening: 7mm A/F (flip/lock housing and screw)

Industry Recommendations:-



304 Stainless Steel

The finest hose clip
in the world



JUBILEE MULTIBAND – SELF ASSEMBLY CLIPS

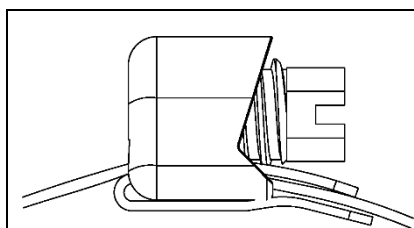
BANDING

Product	Pack Size	Material				Fastening Type	Band Width mm	Band Thickness mm	Recommended Torque* Nm	Maximum Torque* Nm
		BZP / MS / W1		304 / A2 / W4						
		Jubilee Part No	RS Part No.	Jubilee Part No	RS Part No.					
Banding	10m Roll	MB1701	1245701	MB1801	1245703	Worm drive (see below for Housing/Screw components)	11	Mild Steel = 0.82 / Stainless = 0.80	3.4	4.5
Banding	25m Roll			MB1601	1245705	Worm drive (see below for Housing/Screw components)	7	0.56	3.0	4.0
Banding	30m Roll	MB1702	1870399	MB1802	1870412	Worm drive (see below for Housing/Screw components)	11	Mild Steel = 0.82 / Stainless = 0.80	3.4	4.5
Banding	50m Roll			MB1602	1245706	Worm drive (see below for Housing/Screw components)	7	0.56	3.0	4.0

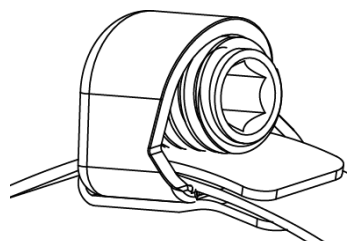
*Figures relate to completed clip with Housing/Screw

HOUSING/SCREWS

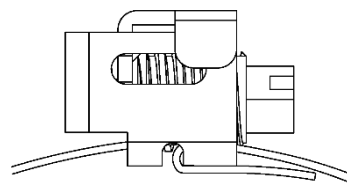
Product	Pack Size	Material				Fastening Type	Screw / Housing Type	For use with Multiband Banding width mm
		BZP / MS / W1		304 / A2 / W4				
		Jubilee Part No	RS Part No.	Jubilee Part No	RS Part No.			
Housings/Screws	25	MB1704	8675637	MB1803	8675649	Worm Drive	7mm A/F hex Head Solid Slotted Screw & Housing	11
Housings/Screws	25	MB1705	8675646	MB1804	8675643	Worm Drive	3/16" Allen Screw	11
Housings/Screws	25	MB1706	1245702	MB1805	1245704	Worm Drive	7mm A/F hex Head Captive Housing & Screw	11
Housings/Screws	25			MB1603	1245707	Worm Drive	7mm A/F round Head Flip/Lock Housing	7



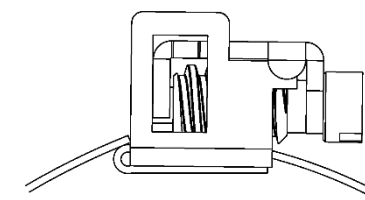
Housing & Screw



Housing & Allen Socket Screw



Captive housing & Screw



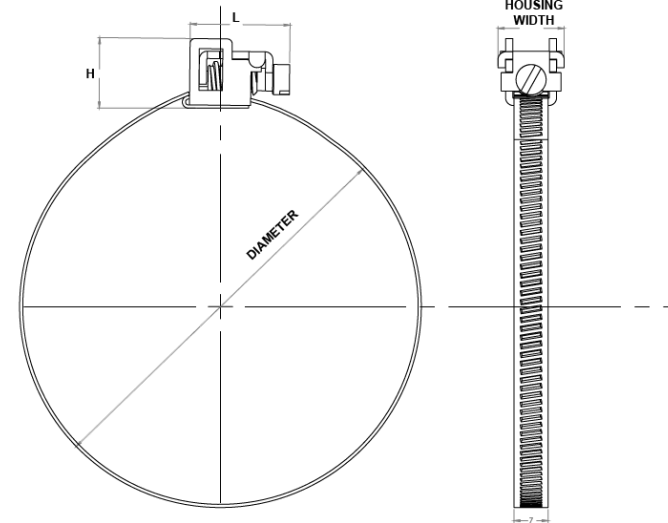
Flip Lock (7mm Only)



JUBILEE MULTIBAND – SELF ASSEMBLY CLIPS

PACKS

Pack	Material				Pack Contents	Pack Dimensions mm	Band Width mm	Band Thickness mm	Recommended Torque* Nm	Maximum Torque* Nm
	BZP / M/S / W1		304 / A2 / W4							
	Jubilee Part No	RS Part No.	Jubilee Part No	RS Part No.						
Multiband Handy Pack	MB1708	171938	MB1806	171944	10m Banding 25 solid Hsg/Scr	100 x 100 x 40	11	Mild Steel = 0.82 / Stainless = 0.80	3.4	4.5
Multiband Pocket Pack	MB1707	1245708	MB1807	1245709	3m Banding 8 solid Hsg/Scr	100 x 100 x 40	11	Mild Steel = 0.82 / Stainless = 0.80	3.4	4.5
Multiband Pocket Pack			MB1607	1245710	8m Banding 10 Flip/Lock Hsg/Scr	100 x 100 x 40	7	0.56	3.0	4.0





info@iq-parts.nl
Harsweg 34A
2431 EZ Ter Aar
T +31 252 624 126
The Netherlands