

iQ parts
IQ-PARTS-SHOP.COM



**SPECS &
INFORMATION**

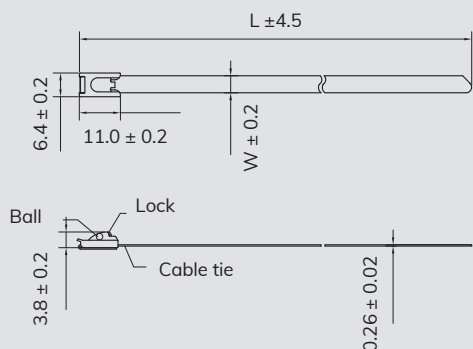
NORMAFIX® Stainless Steel Cable Tie



Easy fixing and high resistance to corrosion

- ✓ Quick installation thanks to ball locking system
- ✓ Made fully of stainless steel AISI 304 and AISI 316
- ✓ High resistance to temperature, flame and corrosion
- ✓ Rounded edges for safe handling

NORMAFIX® Stainless Steel Cable Tie



Applications

Cable and pipe fixing in shipbuilding, offshore, petrochemical plants, oil rigs and environments with a risk of fire (W5).

Used as flame safety in electrical installations to fix the metal I.D. plates which must be preserved in case of fire (W4).

Installations where high mechanical and UV resistance are required, e.g. photovoltaic systems (W4).

Materials and technical details

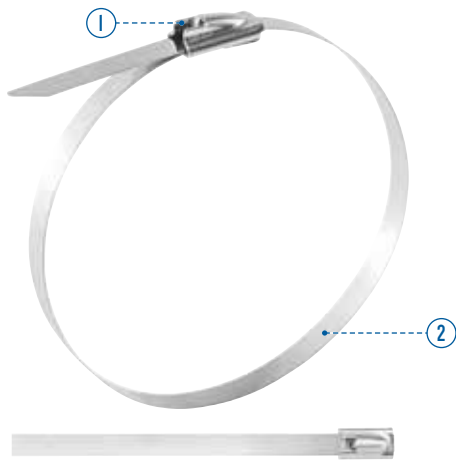
Raw material: AISI 304 (W4), AISI 316 (W5)	Installation temperature: -80 °C to +500 °C
Humidity absorption: NO sign	Flammability rating: NOT flammable
Working temperature: -80 °C to +500 °C	

Part number	Material W4	Width W (mm)	Length L (mm)	Max. bundle Ø DN (mm)	Min. tensile strength (N)	Packaging quantity polybag (pcs)	Packaging quantity carton (pcs)
0892 7012 002	AISI 304	4.6	200	50	1,000	100	10,000
0892 7012 003	AISI 304	4.6	250	63	1,000	100	8,000
0892 7012 005	AISI 304	4.6	350	89	1,000	100	5,000
0892 7012 007	AISI 304	4.6	450	115	1,000	100	4,000
0892 7012 042	AISI 304	4.6	650	167	1,000	100	3,000
0892 7012 043	AISI 304	4.6	800	193	1,000	100	2,000
0892 7012 010	AISI 304	7.8	200	50	2,200	100	5,000
0892 7012 011	AISI 304	7.8	250	63	2,200	100	2,500
0892 7012 013	AISI 304	7.8	350	89	2,200	100	2,500
0892 7012 016	AISI 304	7.8	500	115	2,200	100	2,000
0892 7012 044	AISI 304	7.8	650	167	2,200	100	2,000
0892 7012 045	AISI 304	7.8	800	193	2,200	100	1,500
0892 7012 046	AISI 304	7.8	1,000	206	2,200	100	1,000

Part number	Material W5	Width W (mm)	Length L (mm)	Max. bundle Ø DN (mm)	Min. tensile strength (N)	Packaging quantity polybag (pcs)	Packaging quantity carton (pcs)
0892 7012 047	AISI 316	4.6	200	50	1,000	100	10,000
0892 7012 048	AISI 316	4.6	250	63	1,000	100	8,000
0892 7012 049	AISI 316	4.6	350	89	1,000	100	5,000
0892 7012 050	AISI 316	4.6	450	115	1,000	100	4,000
0892 7012 051	AISI 316	4.6	650	167	1,000	100	3,000
0892 7012 052	AISI 316	4.6	800	193	1,000	100	2,000
0892 7012 053	AISI 316	7.8	200	50	2,200	100	5,000
0892 7012 054	AISI 316	7.8	250	63	2,200	100	2,500
0892 7012 055	AISI 316	7.8	350	89	2,200	100	2,500
0892 7012 056	AISI 316	7.8	500	115	2,200	100	2,000
0892 7012 057	AISI 316	7.8	650	167	2,200	100	2,000
0892 7012 058	AISI 316	7.8	800	193	2,200	100	1,500
0892 7012 059	AISI 316	7.8	1,000	206	2,200	100	1,000



STAINLESS STEEL CABLE TIE



- ① Ball locking system for quick installation
- ② No cutting edges: avoid damages on the cable electrical insulation

High resistance for aggressive environments

Made of polyamide stainless steel AISI 304 with ball locking system, that permits a quick installation and a low insertion effort. This kind of cable tie is characterized by a high resistance to high temperature, to flame and corrosion.

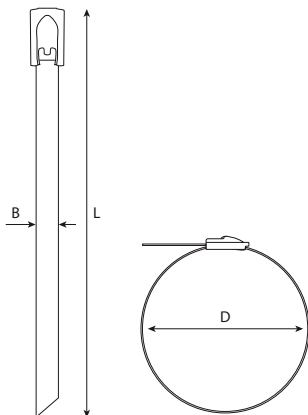
Advantages at a glance

- Easy to install
- Extremely UV resistant
- High corrosion resistance

Typical applications

- Cable- and pipe fixing in shipbuilding, offshore, petrochemical plants, oil rigs, and environments with a risk of fire.
- Used as flame safety in electrical installations to fix the metal I.D. plates, which must be preserved in the event fire.
- Installations where high mechanical and UV resistance are required (photovoltaic).

Dimensions



Materials and technical details

- Raw material: S40 (W4)
- Humidity absorption: NO sign
- Working temp.: -80° to +538°C
- Installation temp.: -80° to +538°C
- Flammability rating: NOT flammable

Resistance to external agents

Excellent resistance to acids, oils, greases, chemicals, solvents, seawater and to corrosive atmosphere. Excellent resistance to UV rays.

Specifications

ABA STAINLESS STEEL CABLE TIE		
Width (B mm)	Length (L mm)	S40 Product No.
4.6	201	0862 0245 050
	259	0862 0245 067
	360	0862 0245 102
	520	0862 0245 152
	838	0862 0245 254
	7.9	259
7.9	360	0862 0248 102
	520	0862 0248 152
	838	0862 0248 254
	1067	0862 0248 305



info@iq-parts.nl
Harsweg 34A
2461 EZ Ter Aar
T +31 252 624 126
The Netherlands