

iQ parts
IQ-PARTS-SHOP.COM



**SPECS &
INFORMATION**

ABA Safe™



A constant-tension worm-drive clamp that protects soft hoses against damage.

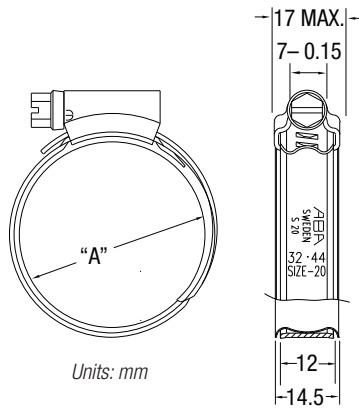
12mm Band Width | Concave Liner to Protect Soft Hoses | Innovative Jointless Housing | Diameter Range 32mm – 112mm

SAFE S20 (W2)

- Slotted Hex-Head Screw
- 301 Stainless Steel Cold Rolled Liner
- 12mm Band Width
- Iconic Blue Housing

SAFE S40 (W4)

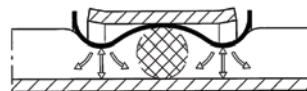
- Slotted Hex-Head Screw
- 301 Stainless Steel Cold Rolled Liner
- 12mm Band Width
- SS Housing



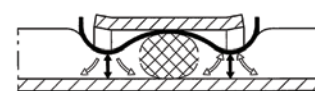
Units: mm



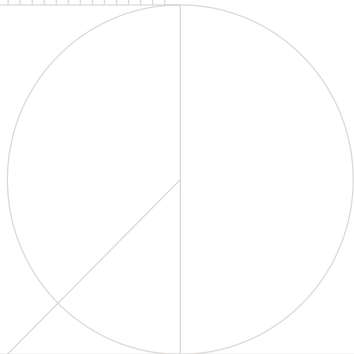
SAE*	Band Width		SAFE S20 (W2)		SAFE S40 (W4)		inches		mm (A)	
	inches	mm	Brand PN	Global PN	Brand PN	Global PN	min	max	min	max
20	1/2	12	41045	0813 4008 038	42045	0813 4017 038	1 1/4	1 3/4	32	44
24	1/2	12	41050	0813 4008 044	42050	0813 4017 044	1 1/2	2	38	50
28	1/2	12	41056	0813 4008 050	42056	0813 4017 050	1 3/4	2 3/16	44	56
32	1/2	12	41065	0813 4008 058	42065	0813 4017 058	2	2 9/16	50	65
40	1/2	12	41075	0813 4008 067	42075	0813 4017 067	2 1/4	2 15/16	58	75
44	1/2	12	41085	0813 4008 077	42085	0813 4017 077	2 11/16	3 3/8	68	85
52	1/2	12	41095	0813 4008 086	42095	0813 4017 086	3	3 3/4	77	95
64	1/2	12	41112	0813 4008 100	42112	0813 4017 100	3 7/16	4 7/16	87	112



On tightening, the wave-shaped band causes maximum compression of the rubber at the two beads. The rubber is squeezed inwards towards the middle and outwards toward the edges. As the rubber between the two beads is only marginally affected it retains its elasticity and acts as an "O" ring.



On heating the band, the "O" ring flattens out. As it cools down it will assume its original shape and seal against the end fitting. The design of the Safe™ clamp makes it particularly suitable for soft hoses with relatively thick walls. Plastic piping that is relatively resistant to compression can often be sealed due to the increased pressure.



ABA SAFE



- ① Extra strong one-piece pressed housing
- ② Smooth inner band
- ③ Spring insert

The flexible clamp

ABA Safe™ utilizes the flexibility of the hose (rubber) and protects soft hoses against damage. The profile beads increase the clamp pressure locally, which means the clamp can also be used for plastic piping that is relatively resistant to deformation. Safe™ clamp provides the clamping force needed for an effective joint.

Advantages at a glance

- Protect soft hoses from damage
- Insert made of stainless steel in all cases
- Every clamp is date stamped for traceability

Typical applications

- Plastic ducts or soft hose.

Materials



ABA Safe Aluzink S20

- The band is made of Aluzink for added corrosion resistance this gives three times the protection offered by conventional galvanized steel

ABA Safe Stainless S40

- All parts are made of SS 2333/AISI 304 stainless steel
- Every clamp is date stamped for traceability This not only ensures premium corrosion resistance, it also prevents abrasion caused by using different material grades.

Safe characteristics

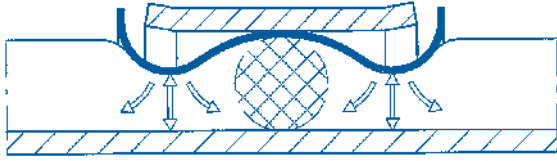


Illustration 1. On tightening, the wave-shaped band causes maximum compression of the rubber at the two beads. The rubber is squeezed inwards towards the middle and outwards towards the edges. As the rubber between the two beads is only marginally affected it retains its elasticity and acts as an "O" ring.

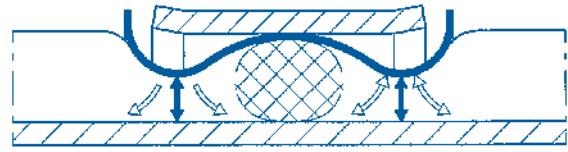
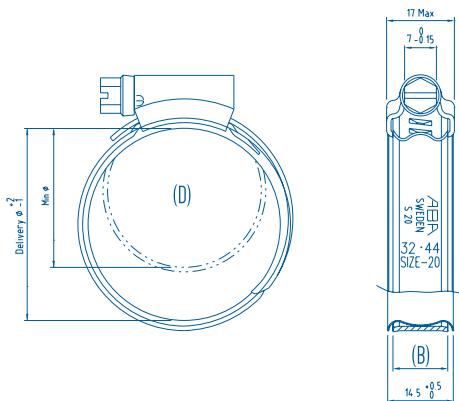


Illustration 2. On heating the band the "O" ring flattens out. As it cools down it will assume its original shape and seal against the end fitting. The design of the Safe™ clamp makes it particularly suitable for soft hoses with relatively thick walls. Plastic piping that is relatively resistant to compression can often be sealed due to the increased pressure.

Dimensions



Specifications

ABA SAFE™ 12 MM					
Width (B mm)	Clamping ranges (D mm)	Clamping ranges (D in.)	Thickness (S mm)	S20 Product No.	S40 Product No.
12	32-44	1 1/4-1 3/4	0.8*	0813 4008 038	0813 4017 038
	38-50	1 1/2-2	0.8*	0813 4008 044	0813 4017 044
	44-56	1 3/4-2 3/16	0.8*	0813 4008 050	0813 4017 050
	50-65	2-2 9/16	0.8*	0813 4008 058	0813 4017 058
	58-75	2 1/4-2 15/16	0.8*	0813 4008 067	0813 4017 067
	68-85	2 11/16-3 3/8	0.8*	0813 4008 077	0813 4017 077
	77-95	3-3 3/4	0.8*	0813 4008 086	0813 4017 086
	87-112	3 7/16-4 7/16	0.8*	0813 4008 100	0813 4017 100

* 1.0 for S20

ABA Safe™ 12 mm Aluzink S20 and Stainless S40(W4)



S20



S40

ABA Safe™ utilizes the flexibility of the hose (rubber) and protects soft hoses against damage. The profile beads increase the clamp pressure locally, which means the clamp can also be used for plastic piping that is relatively resistant to deformation. ABA Original clamp provides the clamping force needed for an effective joint.

ABA Safe™ Standard-S20: See ABA Original 12 mm Standard.

ABA Safe™ Stainless-S40(W4): See ABA Original 12 mm SS 2333/AISI 304 Stainless.

In both versions the inner ring is made of cold rolled steel SS 2331/AISI 301.

Size	Minimum Ø	Supplied Ø	Rec. tightening torque Nm
32-44	32	43	5-6
38-50	38	49	
44-56	44	55	
50-65	50	64	
58-75	58	74	
68-85	68	84	
77-95	77	94	
87-112	87	111	

Technical function – Safe™



Illustration 1. On tightening, the waveshaped band causes maximum compression of the rubber at the two beads. The rubber is squeezed inwards towards the middle and outwards towards the edges. As the rubber between the two beads is only marginally affected it retains its elasticity and acts as an "O" ring.

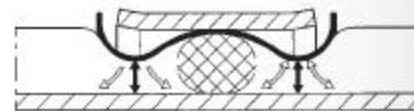
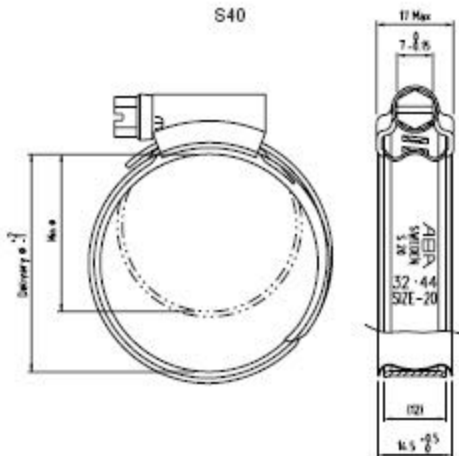


Illustration 2. On heating the band the "O" ring flattens out. As it cools down it will assume its original shape and seal against the end fitting. The design of the Safe™ clamp makes it particularly suitable for soft hoses with relatively thick walls. Plastic piping that is relatively resistant to compression can often be sealed due to the increased pressure at the profile beads.





info@iq-parts.nl
Harsweg 34A
2461 EZ Ter Aar
T +31 252 624 126
The Netherlands