

iQ parts
IQ-PARTS-SHOP.COM



**SPECS &
INFORMATION**



Supporto Antivibrante Base Quadrata

Square Base Mount

Cod.	A	M	E	B	Carico max Statico Max Load daN
A2CQ80	80	10MA	27	30	450
A2CQ120	120	12MA	37	30	900

Caratteristiche

Materiale corpo: Mescola gomma NR/SBR

Durezza standard: 70 shore A

Tolleranza sulla durezza: +/- 5 SH

A richiesta: Durezza 45 shore A

Parte metallica e/o fissaggio:

Lamiera acciaio zincata

Product specification

Main part material:

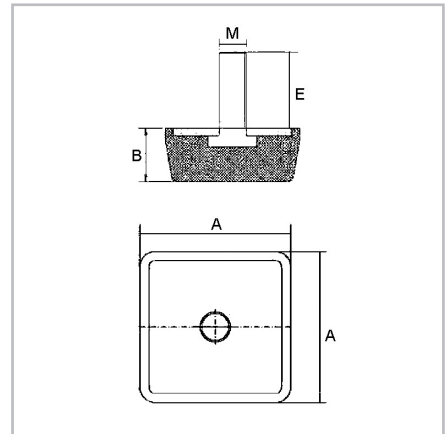
NR/SBR rubber compound

Standard hardness: 70 shore A

Hardness tolerance: +/- 5 SH

On request: 45 shore A hardness

Metallic part: Zinc plated steel sheet





info@iq-parts.nl
Harsweg 34A
2461 EZ Ter Aar
T +31 252 624 126
The Netherlands