

iQ parts
IQ-PARTS-SHOP.COM



**SPECS &
INFORMATION**

B

Barra Antivibrante

Antivibration Bar

Cod.	I	H	L	Spessore Ferri Thickness Metal Plates mm	Carico max a Compres. Max Compression Load daN
A2B50L	50	50	1000	10	20/cm2
A2B60L	60	60	1000	10	20/cm2
A2B80L	80	60	1000	10	20/cm2
A2B100L	100	60	1000	10	20/cm2

Caratteristiche

Materiale corpo: Miscela gomma NR/SBR

Durezza standard: 60 shore A

Tolleranza sulla durezza: +/- 5 SH

Parte metallica e/o fissaggio: Fe 36 zincato

Product specification

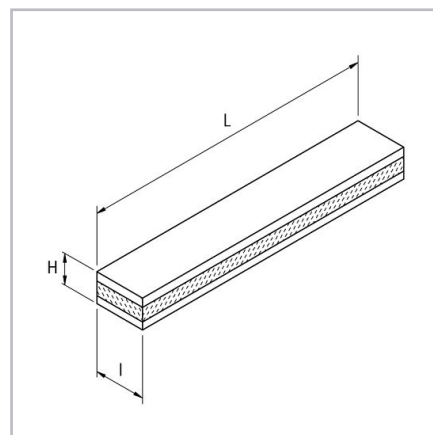
Main part material:

NR/SBR rubber compound

Standard hardness: 60 shore A

Hardness tolerance: +/- 5 SH

Metallic part: Zinc plated iron





info@iq-parts.nl
Harsweg 34A
2461 EZ Ter Aar
T +31 252 624 126
The Netherlands