

**iQ parts**  
IQ-PARTS-SHOP.COM



**SPECS &  
INFORMATION**

# SL

## Supporto Antivibrante Long Life

### Long Life Antivibration Mount

Cod.	C	B	G	E	F	Carico max Statico Max Load daN
A2SL60	70	80	105	53	11	950

#### Caratteristiche

**Materiale corpo:** Mescola gomma NR/SBR

**Durezza standard:** 60 shore A

**Tolleranza sulla durezza:** +/- 5 SH

**A richiesta:** 45 shore A

**Parte metallica e/o fissaggio:**

Lamiera acciaio zincata

**Tipo inserto standard:**

Con perno filettato MA 12X27

#### Product specification

**Main part material:**

NR/SBR rubber compound

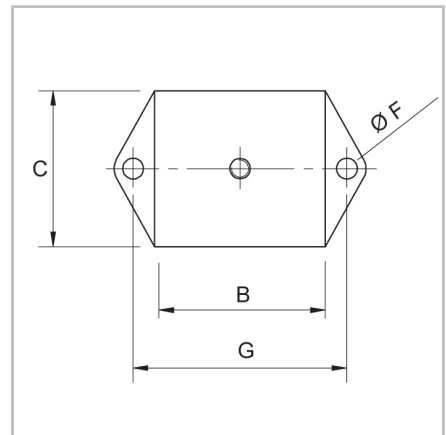
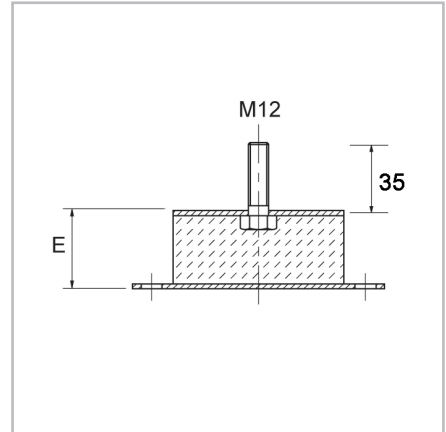
**Standard hardness:** 60 shore A

**Hardness tolerance:** +/- 5 SH

**On request:** 45 shore A hardness

**Metallic part:** Zinc plated steel sheet

**Standard thread:** With screw MA 12x27







info@iq-parts.nl  
Harsweg 34A  
2461 EZ Ter Aar  
T +31 252 624 126  
The Netherlands