

**iQ parts**  
IQ-PARTS-SHOP.COM



**SPECS &  
INFORMATION**

**FASTENER**

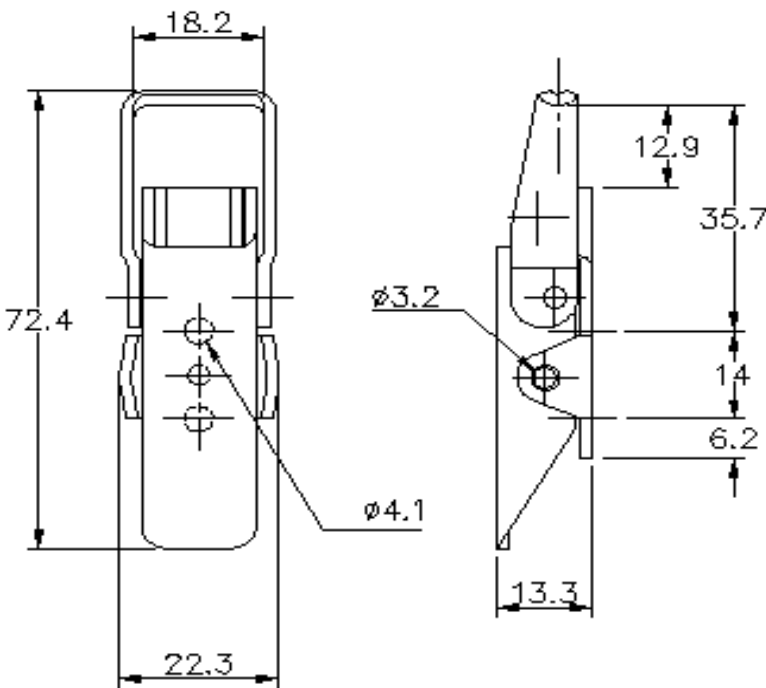
LIGHT DUTY NON-ADJUSTABLE

**SPECIFICATIONS**

MATERIAL	FINISH	HOLE DIA	WEIGHT	PADLOCKABLE	SAFETY	ADJUSTMENT*	KEYLOCK	STRENGTH/ UTS**
STAINLESS STEEL 304	NATURAL	4.1 MM	0.0419 KG	No	No	0 MM	No	300 KG

\*ADJUSTMENT – Provided by internal screwed spindle. Adjustment allows for fitting tolerance and tension adjustment. If the above table shows '0' there is no adjustment available on this fastener.

\*\*STRENGTH /UTS - The figures for the ultimate tensile strength (UTS) have been determined by tensile tests in a normal working load direction on standard products and do not include any safety factors. A maximum load rate of 30mm per minute was applied throughout the tests. The UTS figures are shown in Kilograms and for a safe working load we suggest that approximately half of the ultimate strength figure is used.



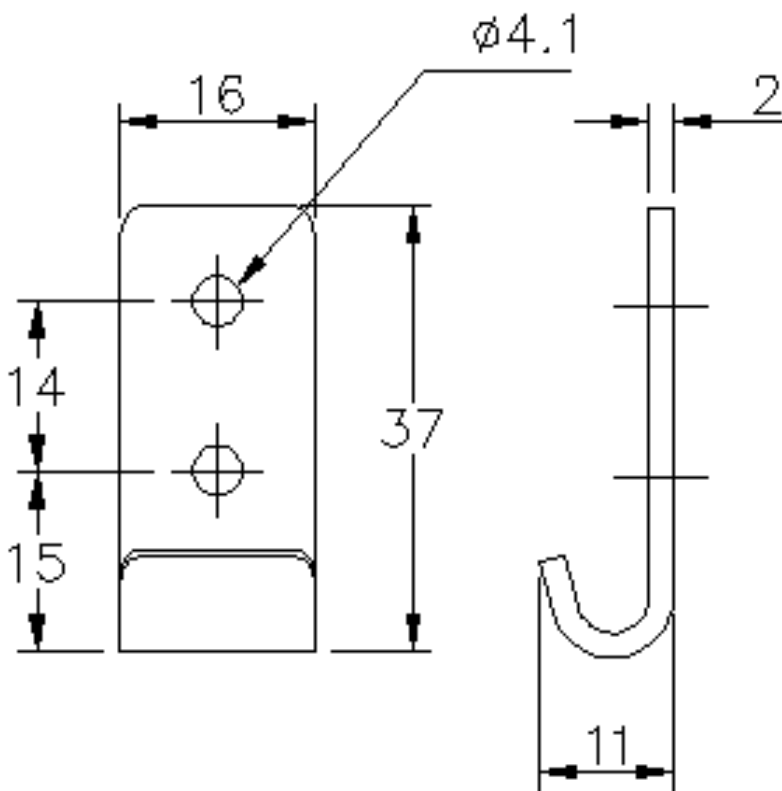
# CATCH PLATE

## CATCHPLATES

### SPECIFICATIONS

MATERIAL	FINISH	HOLE DIA	WEIGHT	PADLOCKABLE	SAFETY	STRENGTH/UTS **
STAINLESS STEEL 304	NATURAL	4.1 MM	0.0114 KG	No	No	400 KG

\*\*STRENGTH /UTS - The figures for the ultimate tensile strength (UTS) have been determined by tensile tests in a normal working load direction on standard products and do not include any safety factors. A maximum load rate of 30mm per minute was applied throughout the tests. The UTS figures are shown in Kilograms and for a safe working load we suggest that approximately half of the ultimate strength figure is used.







info@iq-parts.nl  
Harsweg 34A  
2461 EZ Ter Aar  
T +31 252 624 126  
The Netherlands