

iQ parts
IQ-PARTS-SHOP.COM



**SPECS &
INFORMATION**

SH Type Closure Clamp

Product group:	Tri-Clamp Connections
Description:	SH Type Closure Clamp
Valid standards:	ISO 2852, DIN 32676, BS 4825 (ASME BPE) / *non standard
Material:	Tri-Clamp Coupling, Wingnuts and Eye-Bolt Screw from AISI 316 (1.4401)
Permissible sterilization temperature:	150°C
Version / Surface quality:	Closure Clamp with V-Profile, for equal pressure over the whole circumference. Surface, internal and external bright finish Hexagon nuts are also available as an alternative to the wingnuts
Options:	Item-No. for clamps 1/2" to 5" = 200.000.001 Item-No. for clamps from 5 1/2" = 200.000.002.
Remarks:	Technical contents are subject to change Data on the maximum operating pressure is dependent on the seals used (elastomers). Model with Wingnut SH Type: Torque rating 5 Nm Model with Hexagon-Nut SHX Type: Torque rating 20 Nm

Technical data on SH Type Closure Clamp										
Drawing for table below: see next page										
ISO 2852	DIN 32676	BS 4825	A-Mass	B	C	W	max. Working	max.	Weight	Item No.
DIN 32676	Series A	DIN 32676	TC-Size	Rad.	Length	Thickness	pressure	Test pressure	in grams	
Series B		Series C					at 150° C			
DN 6 / 8 / 10	DIN 4 / 6 / 8 / *10	1/2" - *3/4"	25.0	63.0	75.0	17.0	50 bar	100 bar	150 g	200.005.028
	DIN 10 / 15 / 20		34.0	67.0	85.0	17.0	50 bar	100 bar	170 g	200.010.037
DN *8 / *10	DIN 25 / 32	1" - 1 1/2"	50.5	77.0	102.0	17.0	50 bar	100 bar	250 g	200.025.053
15 / 20 / 25	40									
DN 32 / 40	DIN 50	2"	64.0	93.0	123.0	17.0	50 bar	100 bar	330 g	200.050.067
DN 50		2 1/2"	77.5	100.0	140.0	17.0	50 bar	100 bar	380 g	200.065.080
DN 65	DIN 65	3"	91.0	105.0	150.0	17.0	40 bar	80 bar	440 g	200.080.094
DN 80	DIN 80	3 1/2"	106.0	110.0	165.0	17.0	40 bar	80 bar	440 g	200.090.108
	DIN 100	4"	119.0	119.0	185.0	17.0	35 bar	70 bar	570 g	200.100.122
DN 100		4 1/2"	130.0	119.0	191.0	17.0	30 bar	60 bar	600 g	200.114.133
		*5"	144.5	131.0	215.0	19.0	30 bar	60 bar	750 g	200.125.147
	*DIN 125	5 1/2"	155.0	155.0	252.0	24.0	30 bar	60 bar	1390 g	200.125.157
		*6"	167.0	156.0	262.0	24.0	30 bar	60 bar	1380 g	200.150.170
DN 150	DIN 150	6 5/8"	183.0	164.0	280.0	24.0	25 bar	50 bar	1610 g	200.150.170.58
		8"	217.5	184.0	325.0	24.0	20 bar	40 bar	2110 g	200.200.220.1
DN 200	DIN 200	8 5/8"	233.5	185.0	333.0	24.0	20 bar	40 bar	2250 g	200.200.220.58
	*DIN 250	*10"	268.0	213.0	382.0	24.0	16 bar	32 bar	2780 g	200.250.250
	*DIN 300	*12"	319.0	242.0	458.0	24.0	10 bar	20 bar	3690 g	200.319.304.1
DN 300		12 5/8"	338.5	243.0	463.0	24.0	10 bar	20 bar	3465 g	200.300.338.1

All lengths in millimeters (if not specified differently).

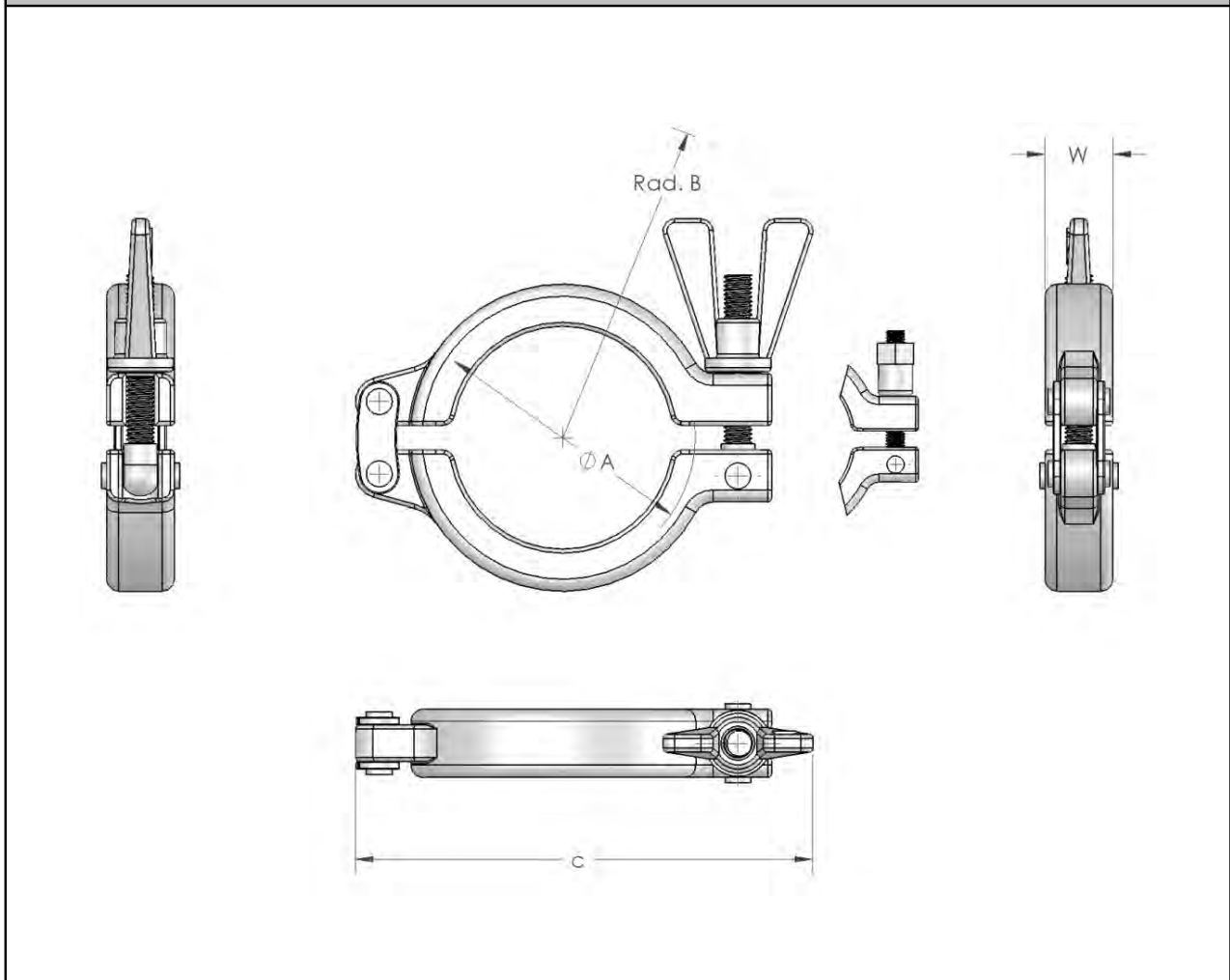
SH Type Closure Clamp

Product group:	Tri-Clamp Connections
Description:	SH Type Closure Clamp
Valid standards:	ISO 2852, DIN 32676, BS 4825 (ASME-BPE) / *non standard
Material:	Tri-Clamp Coupling, Eye nuts and Eye-Bolt Screw from AISI 316 (1.4401)
Permissible sterilization temperature:	150°C
Version / Surface quality:	Closure Clamp with V-Prole, for equal pressure over the whole circumference. Surface, internal and external bright finish
Remarks:	Technical contents are subject to change

Recommended areas of application: Pharma, Biotechnology and Industry.

SH Type Closure Clamp

Technical data on drawing below: see previous page





info@iq-parts.nl
Harsweg 34A
2461 EZ Ter Aar
T +31 252 624 126
The Netherlands