

iQ parts
IQ-PARTS-SHOP.COM



**SPECS &
INFORMATION**

SH Type (Double Bolted) Closure Clamp

Product group:	Tri-Clamp Connections
Description:	SH Type (Double Bolted) Closure Clamp
Valid standards:	ISO 2852, DIN 32676, BS 4825 (ASME-BPE) / *non standard
Material:	Tri-Clamp Coupling, Wingnuts and Eye-Bolt Screw from AISI 316 (1.4401)
Permissible sterilization temperature:	150°C
Version / Surface quality:	Closure Clamp with V-Prole, for equal pressure over the whole circumference. Surface, internal and external bright finish
Options:	Hexagon nuts are also available as an alternative to the wingnuts Item-No. for clamps 1/2" to 5" = 200.000.001 Item-No. for clamps from 5 1/2" = 200.000.002
Remarks:	Technical contents are subject to change Data on the maximum operating pressure is dependent on the seals used (elastomers). Model with Wingnut SH Type: Torque rating 5 Nm Model with Hexagon-Nut SHX Type: Torque rating 20 Nm

Technical data on SH Type (Double Bolted) Closure Clamp										
Drawing for table below: see next page										
ISO 2852	DIN 32676	BS 4825	A	B	C	W	max.	max.	Weight	Item No.
DIN 32676	Series A	DIN 32676	TC-Size	Rad.	Length	Thick- ness	Working pressure	Test pressure	in gram	
Series B		Series C					by 150° C			
	*DIN 125	5 1/2"	155.0	155.0	265.0	24.0	30 bar	60 bar	1470 g	200.125.157.-2
		*6"	167.0	156.0	277.0	24.0	30 bar	60 bar	1670 g	200.150.170.-2
DN 150	DIN 150	6 5/8"	183.0	164.0	297.0	24.0	25 bar	50 bar	1690 g	200.150.170.59
		8"	217.5	184.0	332.0	24.0	20 bar	40 bar	2190 g	200.200.220
DN 200	DIN 200	8 5/8"	233.5	185.0	353.0	24.0	20 bar	40 bar	2340 g	200.200.220.59
	*DIN 250	*10"	268.0	205.0	382.0	24.0	16 bar	32 bar	2780 g	200.250.250.-2
DN 250		10 5/8"	286.1	213.0	405.0	24.0	16 bar	32 bar	2970 g	200.250.250.58
	*DIN 300	*12"	319.0	242.0	458.0	24.0	10 bar	20 bar	3690 g	200.319.304.2
DN 300		12 5/8"	338.5	243.0	463.0	24.0	10 bar	20 bar	3370 g	200.300.338.2

All lengths in millimeters (if not specified differently).

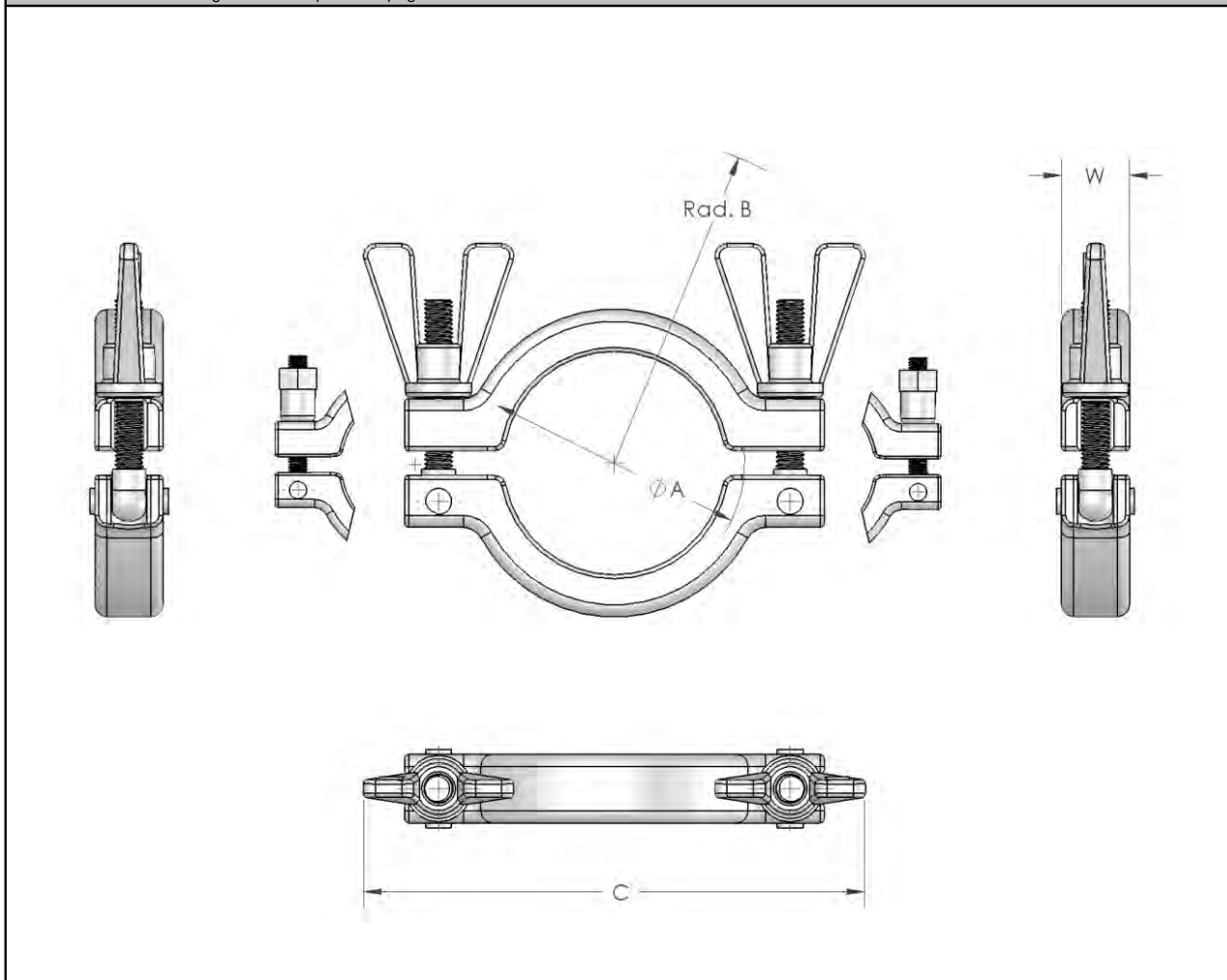
SH Type (Double Bolted) Closure Clamp

Product group:	Tri-Clamp Connections
Description:	SH Type (Double Bolted) Closure Clamp
Valid standards:	ISO 2852, DIN 32676, BS 4825 (ASME-BPE) / *non standard
Material:	Tri-Clamp Coupling, Wingnuts and Eye-Bolt Screw from AISI 316 (1.4401)
Permissible sterilization temperature:	150°C
Version / Surface quality:	Closure Clamp with V-Prole, for equal pressure over the whole circumference. Surface, internal and external bright finish
Remarks:	Technical contents are subject to change

Recommended areas of application: Pharma, Biotechnology and Industry.

SH Type (Double Bolted) Closure Clamp

Technical Datas to drawing below: see previous page





info@iq-parts.nl
Harsweg 34A
2461 EZ Ter Aar
T +31 252 624 126
The Netherlands