

iQ parts
IQ-PARTS-SHOP.COM



**SPECS &
INFORMATION**

ASSORTMENT 270



ABA ASSORTMENT 270 (ABA NOVA AND ABA ORIGINAL)					
Width	Clamping ranges (mm)	Clamping ranges (in)	Quantity	S10 Product No.	S40 Product No.
NOVA					
9	8 - 14	5/16 - 9/16	50	0819 0026 013	0819 0026 040
	11 - 17	7/16 - 11/16	50		
	13 - 20	1/2 - 13/16	50		
ORIGINAL					
12	15 - 24	9/16 - 15/16	25		
	19 - 28	3/4-11/8	25		
	22 - 32	7/8-11/4	20		
	26 - 38	1-11/2	15		
	32 - 44	11/4-13/4	15		
	38 - 50	11/2-2	10		
NA	FLEXIDRIVER	NA	1		

Assortment box with most common clamp sizes.

Dimensions and height of the assortment box

- 123 x 456 x 78 cm
- 9.0 kg

ASSORTMENT 120



ABA ASSORTMENT 120 (ABA MINI)					
Width	Clamping ranges (mm)	Clamping ranges (in)	Quantity	S10 Product No.	
9	8	5/16	15	0819 0026 014	
	9	3/8	15		
	10	3/8	30		
	11	7/16	10		
	12	1/2	30		
	13	1/2	10		
	14	9/16	5		
	15	9/16	5		
		FLEXIDRIVER			1

Assortment box with most common clamp sizes.

Dimensions and height of the assortment box

- 123 x 456 x 78 cm
- 9.0 kg

ABA NOVA



- ① **Specially designed screw** – Improved idle torque
- ② **Compact housing** – Better and more evenly spread clamping force
- ③ **Mechanically locked** – No welding points
- ④ **Band marking** – Material & size marked on each clamp
- ⑤ **Traceability** code of each clamp

The highly versatile clamp

ABA Nova clamps incorporate a newly designed housing positioned to more evenly distribute a high clamping force and give safer guidance of the emerging band. The short housing saddle also provides optimal contact pressure on the hose.

The New Generation design results in a clamping force reserve that resists breaks for a safe seal connection. In addition, smooth undersides and rolled-up band edges are gentle on the hose and reduce risk of leakage as well.

Advantages at a glance

- High clamping force
- High break torque
- Lower idle torque
- Every clamp is date stamped for traceability
- Requires very low packing space

Materials



The highly versatile ABA Nova clamp is an ideal choice for smaller dimensions of hoses.

Typical applications

- Machine building
- Chemical industry
- Irrigation systems
- Railway
- Agricultural machines
- Building machines
- Marine

ABA Nova Aluzink S20

- The band is made of Aluzink for added corrosion resistance, this gives three times the protection offered by conventional galvanized steel

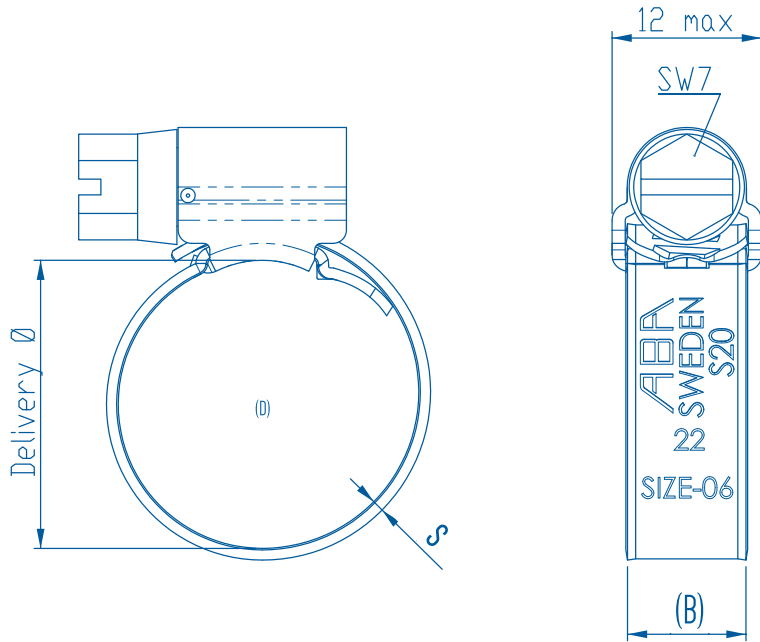
ABA Nova Stainless S40

- All parts are made of SS 2333/AISI 304 stainless steel

ABA Nova Acid-Resistant S50

- All parts are made of SS 2343/AISI 316 stainless steel
- Natural choice for applications where premium corrosion resistance is required
- This not only ensures premium corrosion resistance, it also prevents abrasion caused by using different material grades.

Dimensions



Specifications

ABA NOVA 9 MM						
Width (B mm)	Clamping ranges (D mm)	Clamping ranges (D in.)	Thickness (S mm)	S20 Product No.	S40 Product No.	S50 Product No.
9	8-14	5/16-9/16	0.8	0811 6108 011	0811 6110 011	0811 6112 011
	11-17	7/16-11/16	0.8	0811 6108 014	0811 6110 014	0811 6112 014
	13-20	1/2-13/16	0.8	0811 6108 017	0811 6110 017	0811 6112 017
	15-24	9/16-15/16	0.8	0811 6108 020	0811 6110 020	
	19-28	3/4-11/8	0.8	0811 6108 024	0811 6110 024	
	22-32	7/8-11/4	0.8	0811 6108 027	0811 6110 027	
	26-38	1-1 1/2	0.8	0811 6108 032	0811 6110 032	
	32-44	1 1/4-1 3/4	0.8*	0811 6108 038		
	38-50	1 1/2-2	0.8*	0811 6108 044		
	44-56	1 3/4-2 3/16	0.8*	0811 6108 050		
	50-65	2-2 9/16	0.8*	0811 6108 058		
	58-75	2 1/4-2 15/16	0.8*	0811 6108 067		
	68-85	2 11/16-3 3/8	0.8*	0811 6108 077		
	70-90	2 3/4-3 9/16	0.8*	0811 6109 080		
	80-100	3 1/8-3 15/16	0.8*	0811 6109 090		
	90-110	3 9/16-4 5/16	0.8*	0811 6109 100		
	100-120	3 15/16-4 3/4	0.8*	0811 6109 110		
	110-130	4 5/16-5 1/8	0.8*	0811 6109 120		
	120-140	4 3/4-5 1/2	0.8*	0811 6109 130		
	130-150	5 1/8-5 15/16	0.8*	0811 6109 140		
140-160	5 1/2-6 5/16	0.8*	0811 6109 150			

*1.0 for S20

ABA ORIGINAL



- ① Extra strong one-piece pressed housing
- ② Rolled-up band edges
- ③ Smooth band underside

There is only one Original

ABA Original clamps feature an extra strong one-piece pressed housing, rolled-up band edges and a smooth band underside that protects the hose. ABA Original – the trouble-free clamp with high tightening force and high breaking torque.

Advantages at a glance

- High clamping force
- High breaking torque
- Protection of the hose thanks to the smooth band underside
- Every clamp is date stamped for traceability

Typical applications

- Machine building
- Chemical industry
- Irrigation systems
- Railway
- Agricultural machines
- Building machines
- Marine

Materials



ABA stainless steel clamps are the natural choice for applications where corrosion resistance is required.

ABA Original Aluzink S20

- The band is made of Aluzink for added corrosion resistance, this gives three times the protection offered by conventional galvanized steel

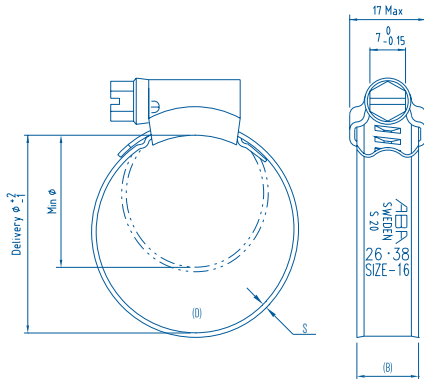
ABA Original Stainless S40

- All parts are made of SS 2333/AISI 304 stainless steel

ABA Original Acid-Resistant S50

- All parts are made of SS 2343/AISI 316 stainless steel
- Natural choice for applications where premium corrosion resistance is required

Dimensions



Specifications

ABA ORIGINAL 12 MM						
Width (B mm)	Clamping ranges (D mm)	Clamping ranges (D in.)	Thickness (S mm)	S20 Product No.	S40 Product No.	S50 Product No.
12	15-24	9/16-15/16	0.8	0813 4001 020	0813 4003 020	0813 4034 020
	19-28	3/4-1 1/8	0.8	0813 4001 024	0813 4003 024	0813 4034 024
	22-32	7/8-1 1/4	0.8	0813 4001 027	0813 4003 027	0813 4034 027
	26-38	1-1 1/2	0.8	0813 4001 032	0813 4003 032	0813 4034 032
	32-44	1 1/4-1 3/4	0.8*	0813 4001 038	0813 4003 038	0813 4034 038
	38-50	1 1/2-2	0.8*	0813 4001 044	0813 4003 044	0813 4034 044
	44-56	1 3/4-2 3/16	0.8*	0813 4001 050	0813 4003 050	0813 4034 050
	50-65	2-2 9/16	0.8*	0813 4001 058	0813 4003 058	0813 4034 058
	58-75	2 1/4-2 15/16	0.8*	0813 4001 067	0813 4003 067	0813 4034 067
	68-85	2 11/16-3 3/8	0.8*	0813 4001 077	0813 4003 077	0813 4034 077
	77-95	3-3 3/4	0.8*	0813 4001 086	0813 4003 086	0813 4034 086
	87-112	3 7/16-4 7/16	0.8*	0813 4001 100	0813 4003 100	0813 4034 100
	104-138	4 1/16-5 7/16	0.8*	0813 4001 121	0813 4003 121	0813 4034 121
	130-165	5 1/8-6 1/2	0.8*	0813 4001 148	0813 4003 148	0813 4034 148
	150-180	5 15/16-7 1/16	0.8*	0813 4001 165	0813 4003 165	0813 4034 165
	175-205	6 7/8-8 1/16	0.8*	0813 4001 190	0813 4003 190	0813 4034 190
	200-231	7 7/8-9 1/16	0.8*	0813 4001 216	0813 4003 216	0813 4034 216
	226-256	8 7/8-10 1/16	0.8*	0813 4001 241	0813 4003 241	0813 4034 241
	251-282	9 7/8-11 1/8	0.8*	0813 4001 267	0813 4003 267	0813 4034 267
	277-307	10 15/16-12 1/16	0.8*	0813 4001 292	0813 4003 292	0813 4034 292

* 1.0 for S20



info@iq-parts.nl
Harsweg 34A
2461 EZ Ter Aar
T +31 252 624 126
The Netherlands