

iQ parts
IQ-PARTS-SHOP.COM

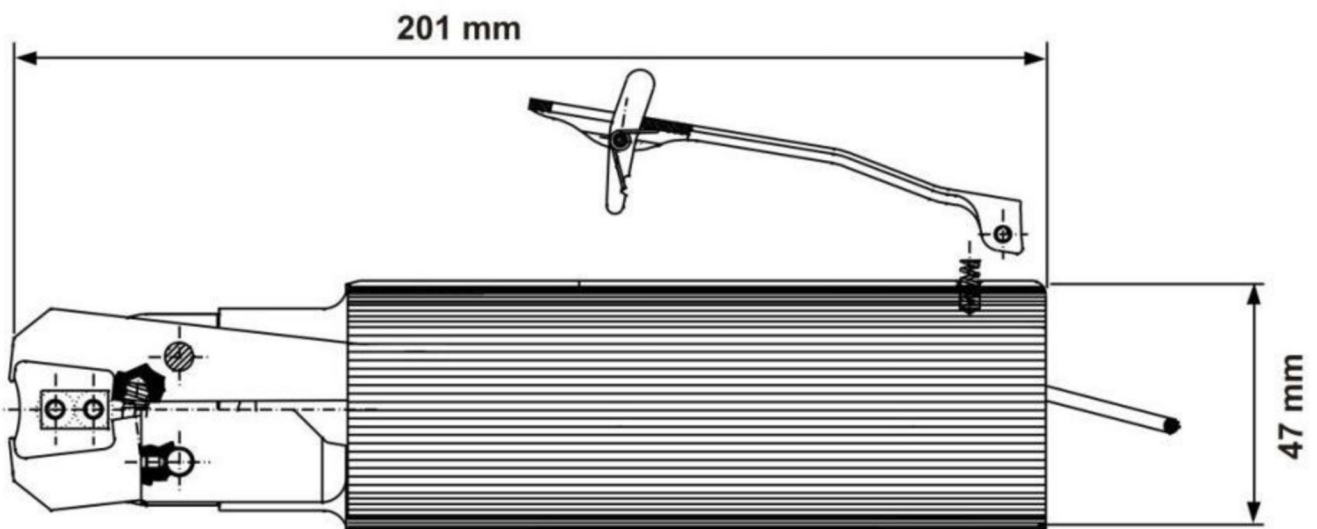


**SPECS &
INFORMATION**



Model	Earclamp tool		Earclamp tool	
Part Number	MKL-03030402		MKL-03030404	
For hose clamps	dia. up to mm 50 / in 1-31/32"			
Basic position	open		open	
Width of clamp	mm	7,5		10
Insert opening, adjustable		yes		yes
Pliers insert, mounted		yes		yes
Max. opening width	mm	13	(1/2")	13
Min. closing width	mm	0,8	(.03)	0,8
Air consumption/stroke	l	0,39		0,52
Length L (with plier insert)	mm	201	(7.91)	238
Body diameter D	mm	47	(1.85)	47
Weight (with plier insert)	kg	0,65	(1.4)	0,75
I.D. of air inlet hose	mm	6	(1/4")	6
Air connection		G 1/4"		G 1/4"

Specifications at 90 psi (6,3 bar)





info@iq-parts.nl
Harsweg 34A
2461 EZ Ter Aar
T +31 252 624 126
The Netherlands