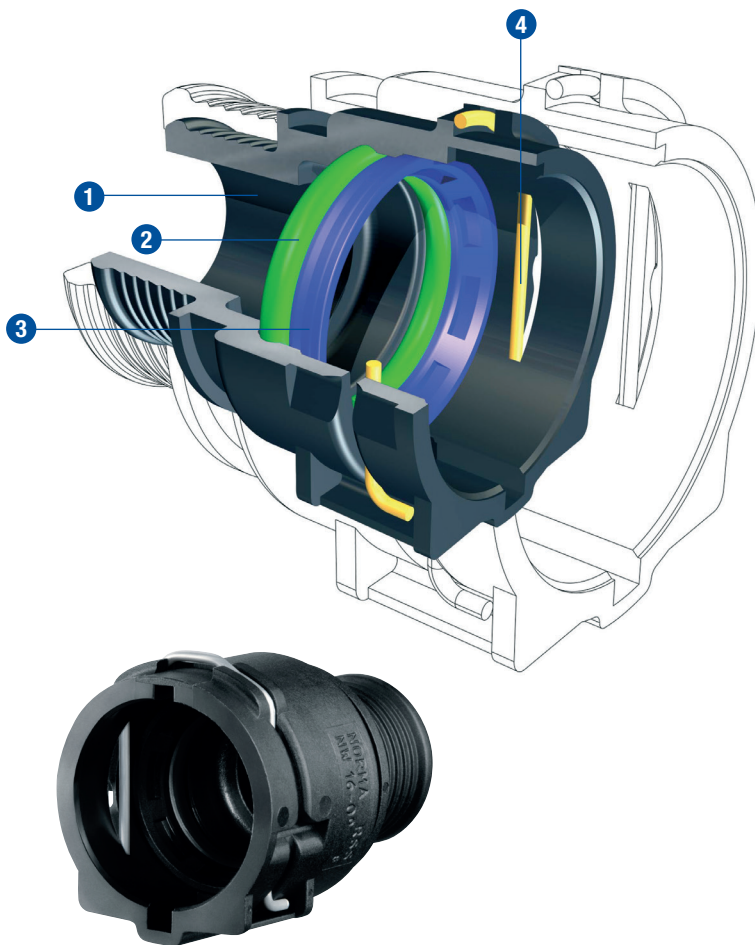


## QUICK CONNECTORS

### PS3

PS3 “Push & Seal” plastic quick connectors are an ideal means for the secure connection of cooling water and heating hoses.



## *The advantages at a glance*

- Locking function
- Simple spigot
- O-ring is on the inside to prevent damage to seal
- Series experience since 1997, volume experience of a total of 70 million PS3
- New optimized version with reduced weight can be offered

- 1 Housing**
- 2 O-ring**
- 3 Retaining ring**
- 4 Retainer (spring)**

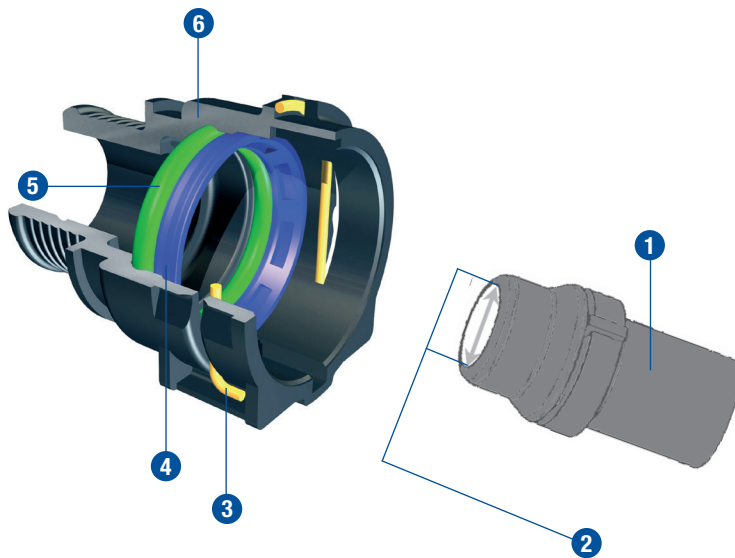
### Standard materials

PS3 quick connectors are made from recyclable materials. For our standard versions we use polyamide 6.6 with 30% glass fiber content.

The standard material for the O-rings consists of peroxide-cured EPDM which is resistant to hot water. For PS3 quick connectors that are likely to be used in direct contact with coolants we recommend PA 6.6 with 30% glass fiber content that has been stabilized against heat and hydrolysis.

## CONNECTING SPIGOT – TO VDA STANDARD

Please note that all PS3 quick connectors are delivered without spigot. However, we will be pleased to offer suitable VDA spigots for Line-to-Line connection on request.



### *The advantages at a glance*

- Snap assembly without tool  
– time and cost reduction
- Robot assembly possible  
– automated processes
- Compact structural dimensions  
– to be used in extremely narrow spaces
- Integrated seal  
– optimal tightness

- 1 Connection spigot
- 2 Diameter of bore – Nominal Width (NW)
- 3 Retainer (spring)
- 4 Retaining ring
- 5 O-ring
- 6 Connector

### Technical features

- **Medium/Fluid:** Cooling water
- **Operating pressure:** 0–2 bar excess pressure
- **Operating temperature:** Engine compartment: –40°C to +135°C, Short time up to +150°C (approx. 30 min.)