

iQparts
IQ-PARTS-SHOP.COM



**SPECS &
INFORMATION**



Stainless Steel One Ear Clip

The use of one ear clips is an economical solution for many simple hose assemblies, used with air or other fluids.

Due to the AISI-304 steel used in the manufacture of these clips, their corrosion resistance is outstanding.

They are recommended especially in outdoor applications.

Like all ear clips, once mounted they are tamper-proof.

* Please see pages 84 and 85 for further information regarding application tools.

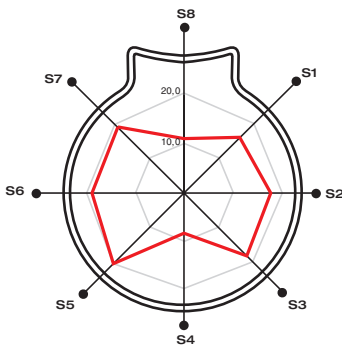
* Special diameters available on request.

W4

Stainless Steel One Ear Clip - A10R INOX W4

Application Ø		Part n° W4	A	B	C	D	E	Box Quantity (MOQ)	Packing	Colour
mm min. - max.	inches min. - max.									
7-9	9/32-11/32	23012440	9,3	5,5	6,0	13,0	0,8	1000	16000	STAINLESS STEEL
8-10	5/16-13/32	23012087	10,3	6,0	6,0	14,0	0,8	1000	16000	STAINLESS STEEL
9-11	11/32-7/16	23012010	11,3	6,5	6,5	15,0	0,8	1000	8000	STAINLESS STEEL
10-12	13/32-15/32	23012028	12,3	7,0	6,5	16,0	0,8	1000	8000	STAINLESS STEEL
11-13	7/16-17/32	23012036	13,3	7,5	6,5	17,0	0,8	500	8000	STAINLESS STEEL
12-14	15/32-9/16	23012044	14,3	8,0	7,0	18,5	1,0	500	8000	STAINLESS STEEL
13-15	17/32-19/32	23012079	15,3	8,0	7,0	19,5	1,0	500	4000	STAINLESS STEEL
14-16	9/16-5/8	23012052	16,3	8,5	7,0	20,5	1,0	500	4000	STAINLESS STEEL
15-17	19/32-11/16	23012458	17,5	9,0	7,0	22,0	1,0	500	4000	STAINLESS STEEL
16-18	5/8-23/32	23012060	18,5	9,0	7,0	23,0	1,0	500	4000	STAINLESS STEEL
17-19	11/16-3/4	23012423	19,5	9,5	7,5	24,0	1,0	250	2000	STAINLESS STEEL
18-20	5/8-25/32	23012431	20,5	10,0	7,5	25,0	1,0	250	2000	STAINLESS STEEL

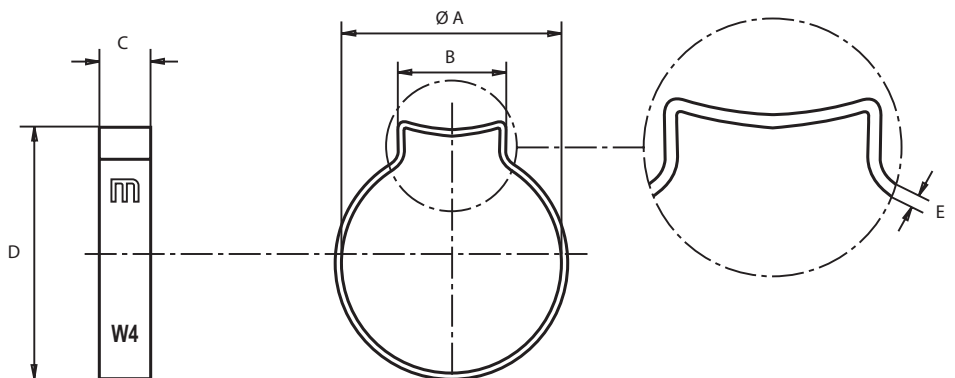
W4 Band: Stainless steel (AISI-304) (A2) **Finish:** 100% Stainless steel



Polar Diagram

● Sectors	S1	S2	S3	S4	S5	S6	S7	S8
— Force Kg	16,1	17,8	18,1	8,2	20,4	18,8	19,8	11,2

Torque / Efficiency [Nm / daN]







info@iq-parts.nl
Harsweg 34A
2461 EZ Ter Aar
T +31 252 624 126
The Netherlands