

iQparts
IQ-PARTS-SHOP.COM



**SPECS &
INFORMATION**



Unpack and display

The display unit is delivered ready for use.

Part number: 02500048

Contents -1560 pcs ASFA LW2 7mm bandwidth

Clamping range	Boxes/unit	Pcs/box	Total pcs
8-12	8	50	400
10-16	8	50	400
12-22	8	50	400
16-27	8	15	120
20-32	8	15	120
25-40	8	15	120



W2

Presenting the new ASFA L7 range

(7 mm bandwidth)

A complement to the current 9mm and 12mm ranges

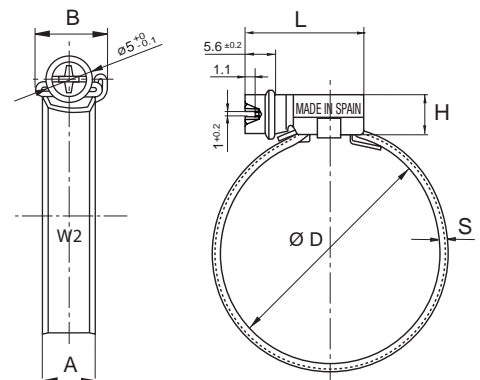
Application Ø										
mm	Part number	L ⁺¹ _{-0,5}	S $\pm 0,10$	H máx.	B máx.	A $\pm 0,3$	Maximum values		Standard Box Qty (MOQ)	Outer Box Qty
							Torque (Nm)	Pressure (Bars)		
8-12	03016508	18,5	0,5	9,2	11,5	7	1,5	15	200	1600
10-16	03016509	18,5	0,5	9,2	11,5	7	1,5	15	200	800
12-22	03016510	18,5	0,5	9,2	11,5	7	1,5	15	200	800
16-27	03016511	18,5	0,5	9,2	11,5	7	1,5	15	200	800
20-32	03016512	18,5	0,5	9,2	11,5	7	1,5	15	200	800
25-40	03016513	18,5	0,5	9,2	11,5	7	1,5	15	100	400

The **ASFA L7** is the smallest worm-drive hose clamp in the Mikalor range and, dare we say it, in the world. This clamp has been developed for use in applications where a standard clamp cannot be used due to a shortage of space. It is manufactured using the same technology and production processes as the current 9mm and 12mm ASFA ranges and is subject to the standards and quality controls specified by ISO 9001 and IATF 16949.

As this is a very compact clamp, we have had to adapt the housing and screw in order to reach a clamping force of up to 1.5Nm. This clamping force ensures total leaktightness. The 6mm cylindrical screw, manufactured by Mikalor exclusively for the L7 clamp, means that there is no need for an excessive and unnecessary application of torque.

The ASFA L7 can be used in many different applications and sectors, including motorbikes, commercial vehicles, passenger vehicles, infrastructure, ventilation, fuel lines and white goods.

TECHNICAL INFORMATION	
MATERIAL	BAND AND HOUSING: STAINLESS STEEL (AISI-430) SCREW: STEEL Qst 36-3(DIN 1.0214)
FINISH	BAND AND HOUSING: STAINLESS STEEL SCREW: GREY-WHITE Cr3 ZINC-PLATED
CORROSION RESISTANCE	72 HOURS SALT SPRAY (ASTMB-117)





info@iq-parts.nl
Harsweg 34A
2461 EZ Ter Aar
T +31 252 624 126
The Netherlands