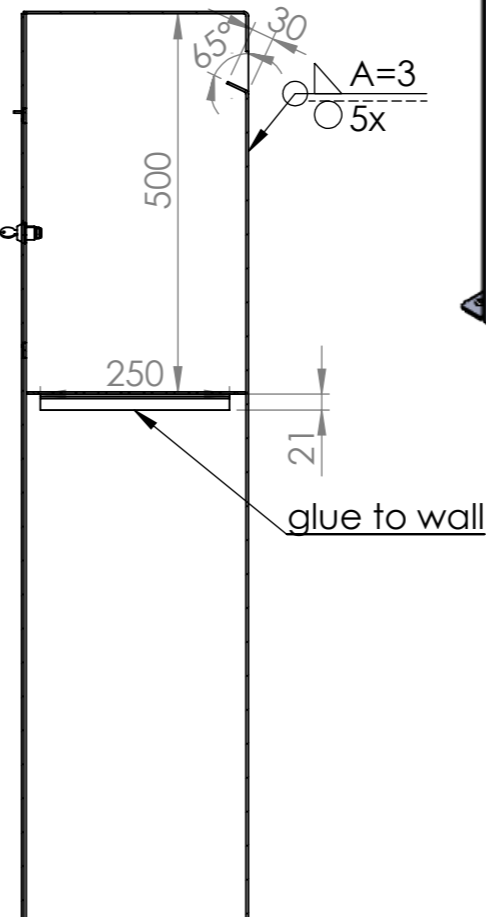
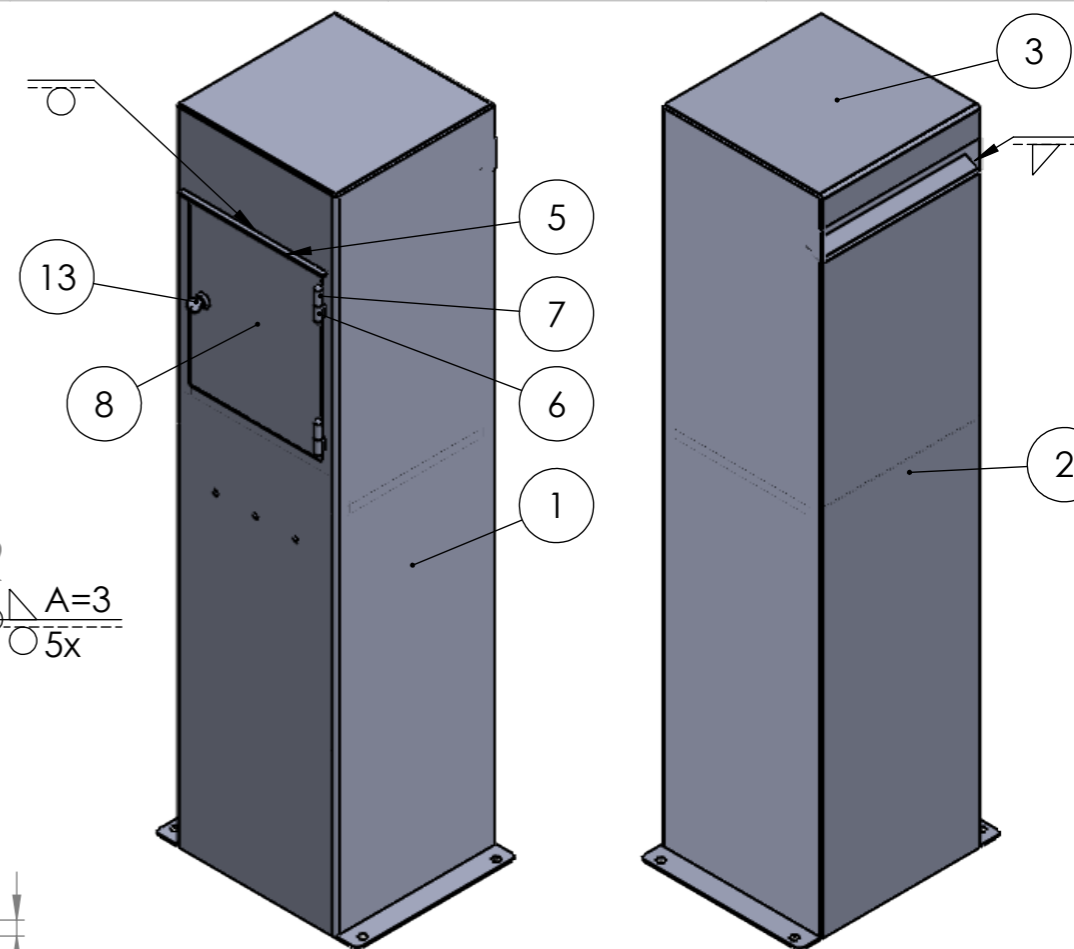


SECTION B-B



SECTION A-A



ITEM NO.	PART NUMBER	DESCRIPTION	QTY.
1	ALU side+backwall		1
2	ALU front		1
3	ALU top		1
4	ALU post plate		1
5	ALU cover door		1
6	Weld hinge	L=60mm	2
7	ALU lasscharnier deel deur		2
8	ALU door		1
9	ALU L-250		2
10	ALU door cover long		2
11	ALU door cover short		2
12	ALU feet		2
13	Lock Standard Adezz		1

DRAWN	R.Langens	DATE	00-00-00
REVISION			
		Mandenmakersstraat 9, 5405 BJ Uden Postbus 607, 5400 AP Uden (NL). t 0031 (0)413 - 27 41 68. e info@adezz.com, i www.adezz.com	
MATERIAL:		WEIGHT:	

TITLE:	
DWG NO.	ALU hacon
SCALE:1:10	A3
SHEET 1 OF 9	