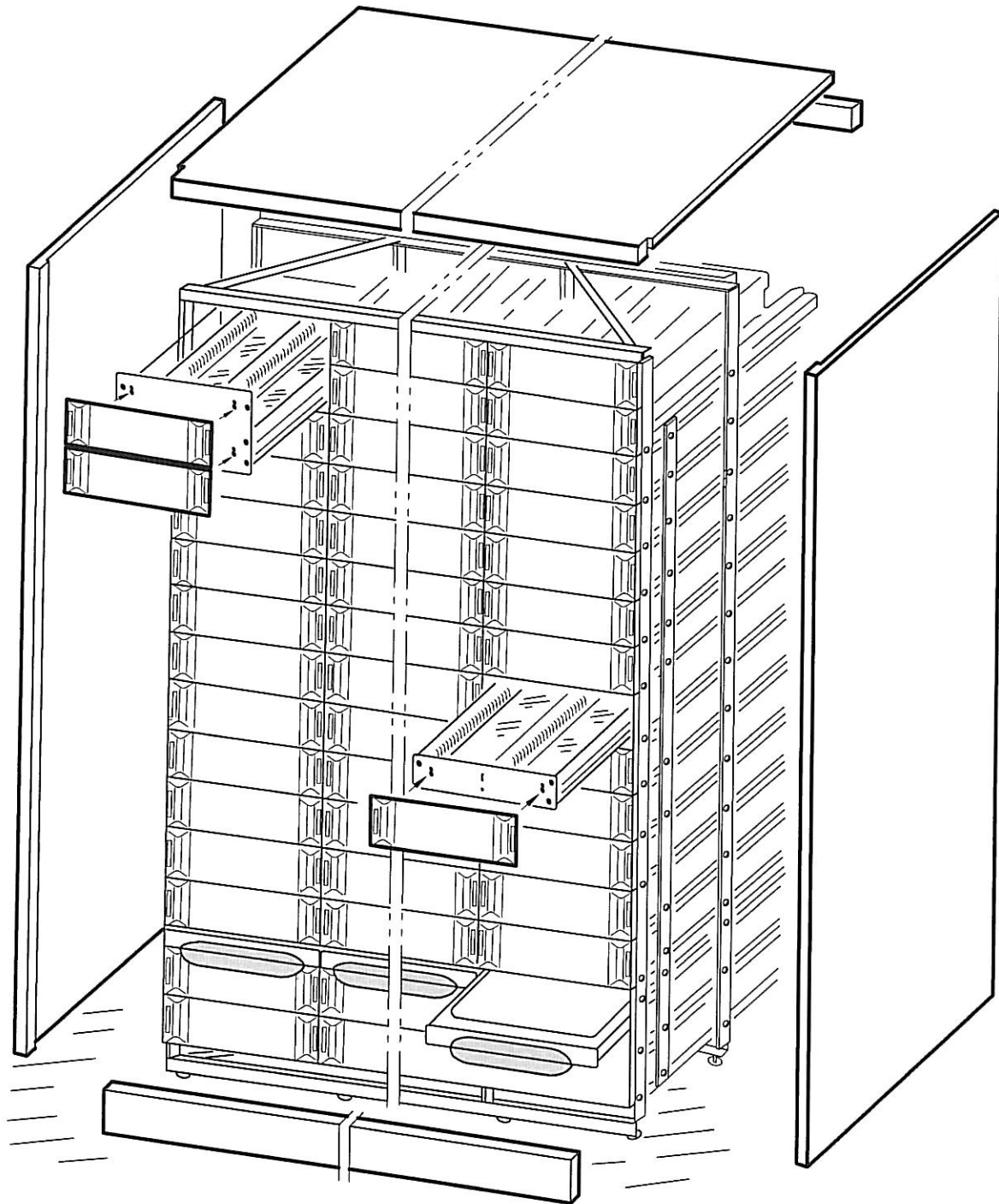


FAMA 7007

SYSTEM FOR PHARMACIES

08 / 07

INSTALLATION INSTRUCTIONS GX-SYSTEM

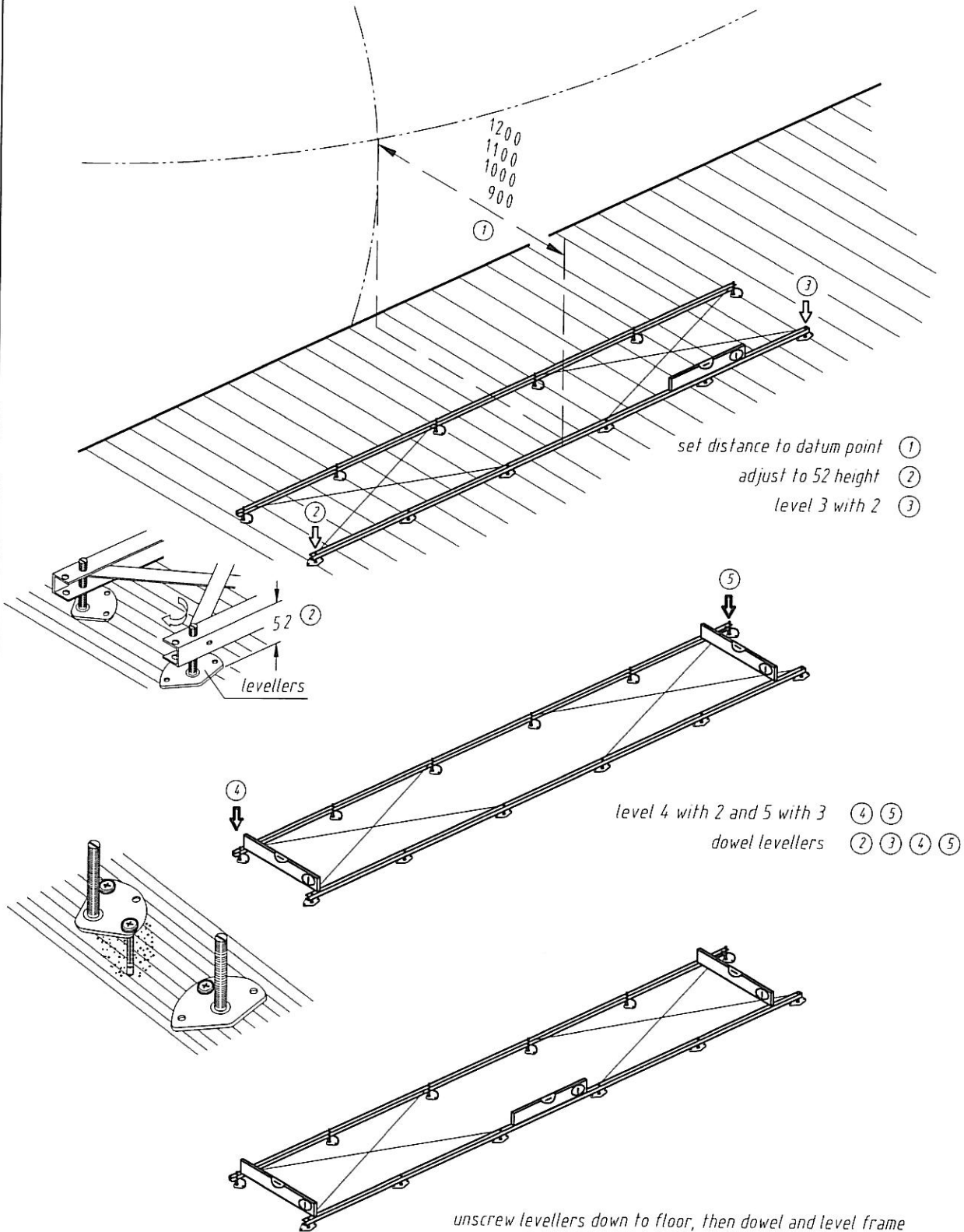


FAMA 7007

SYSTEM FOR PHARMACIES

08/07 | PAGE 01

INSTALLATION OF BASE FRAME



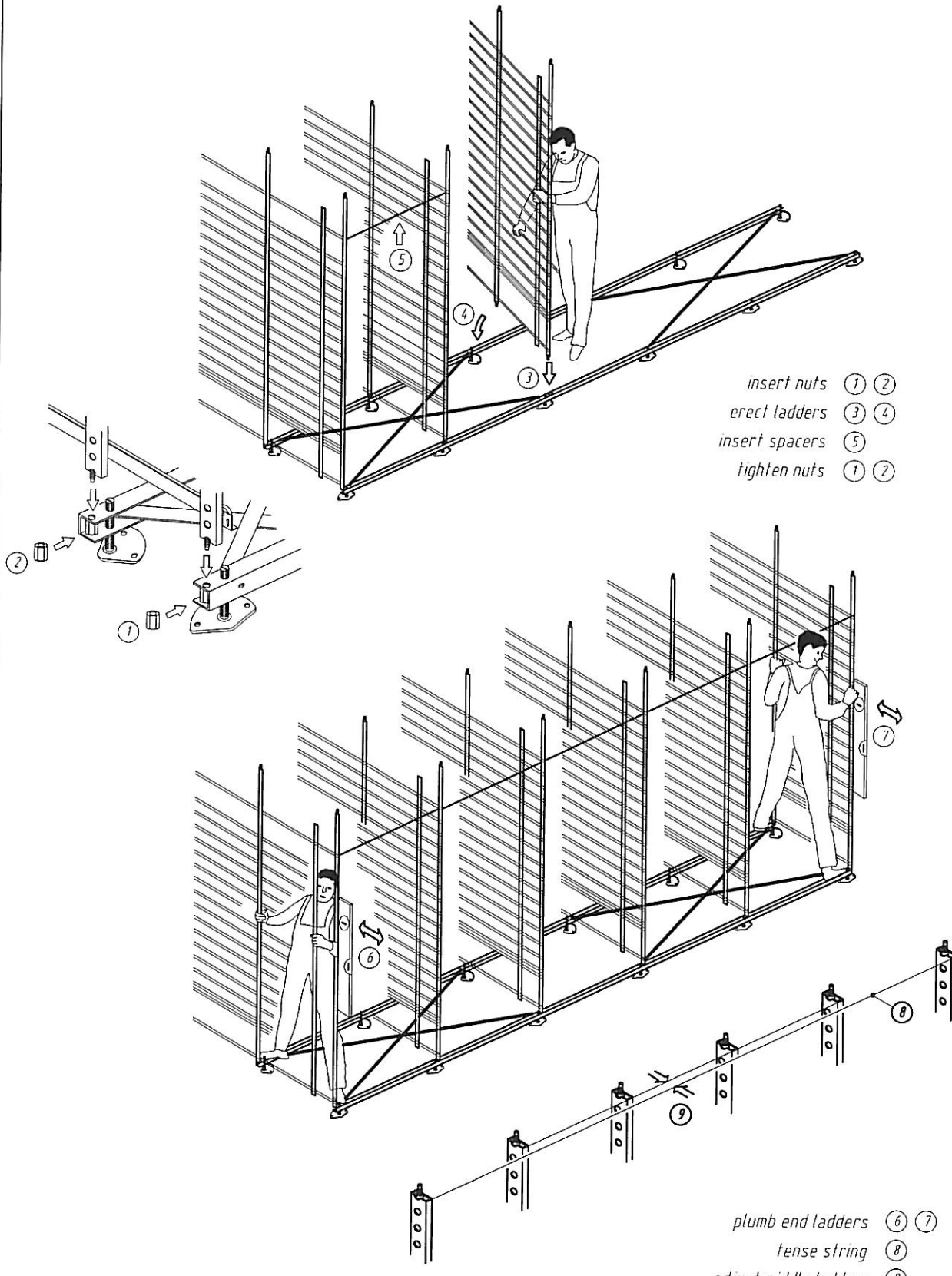
FAMA 7007

SYSTEM FOR PHARMACIES

08/07

PAGE 02

INSTALLATION OF LADDERS

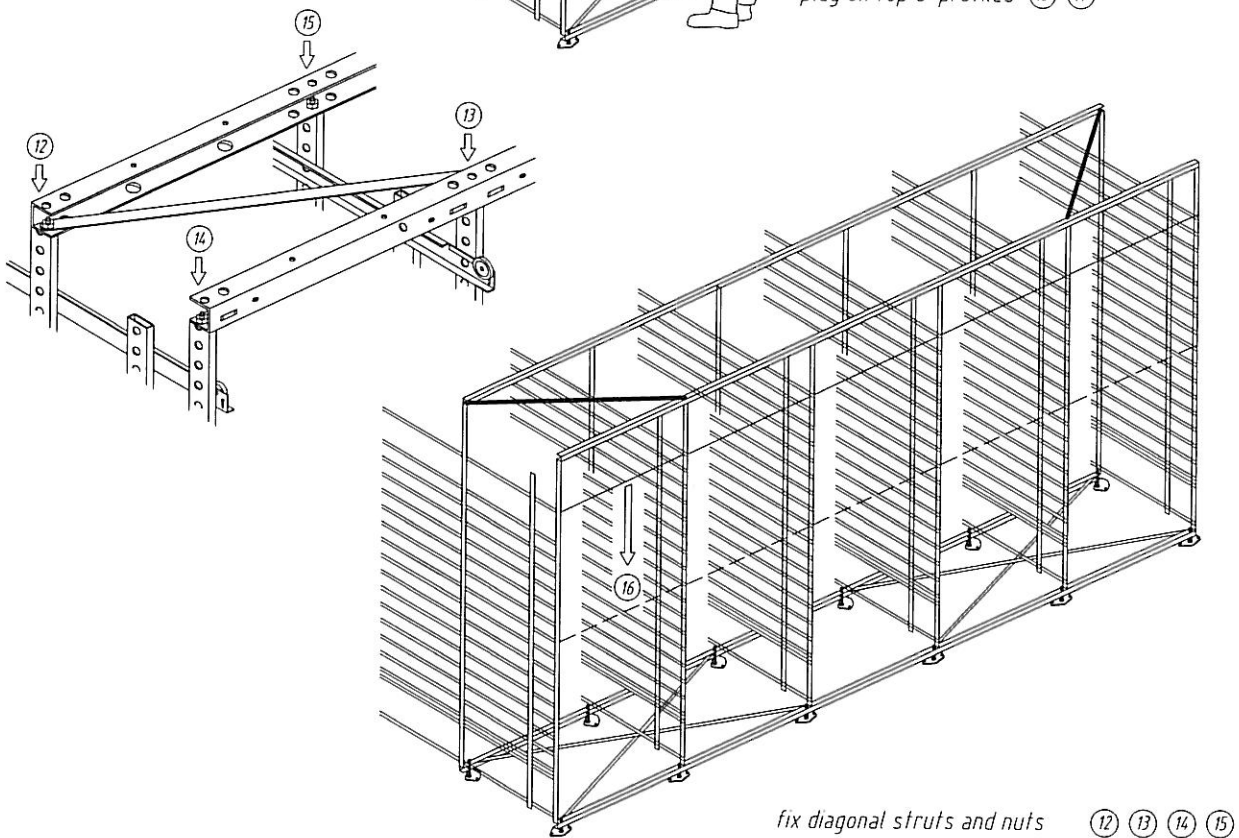
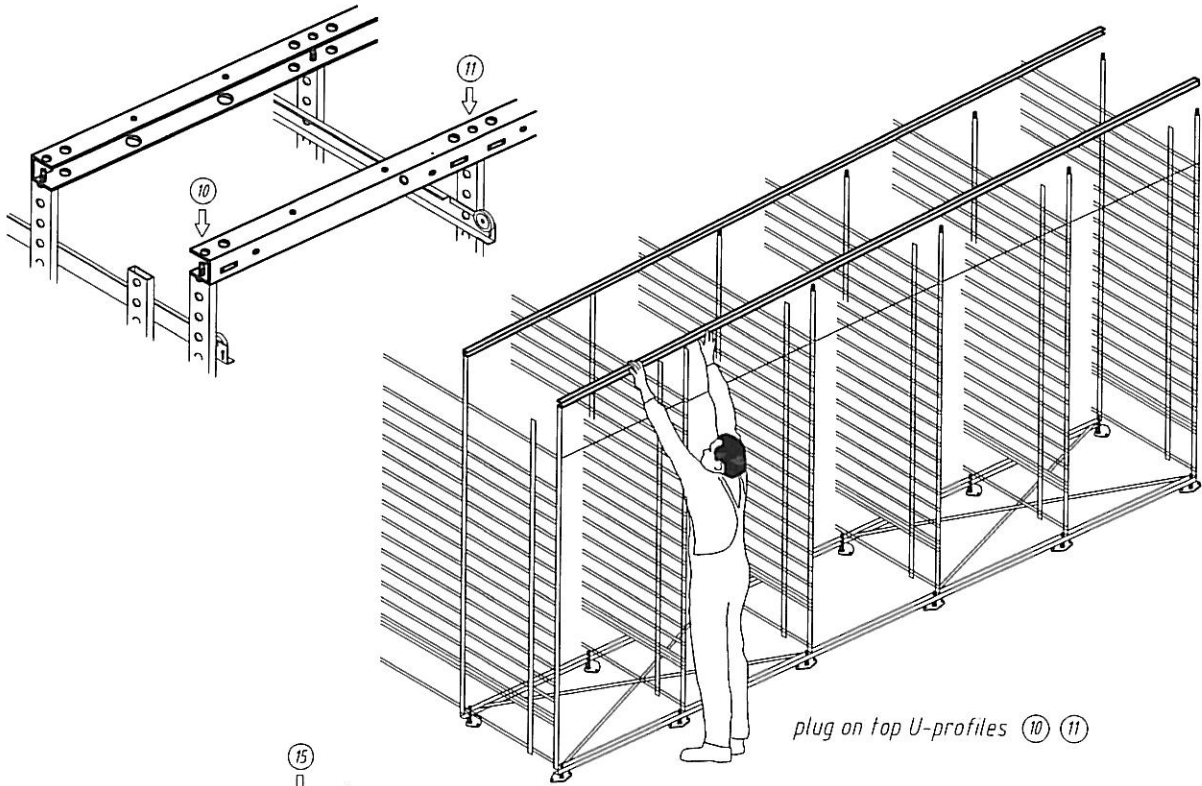


FAMA 7007

SYSTEM FOR PHARMACIES

08 / 07 | PAGE 03

INSTALLATION OF TOP U-PROFILE



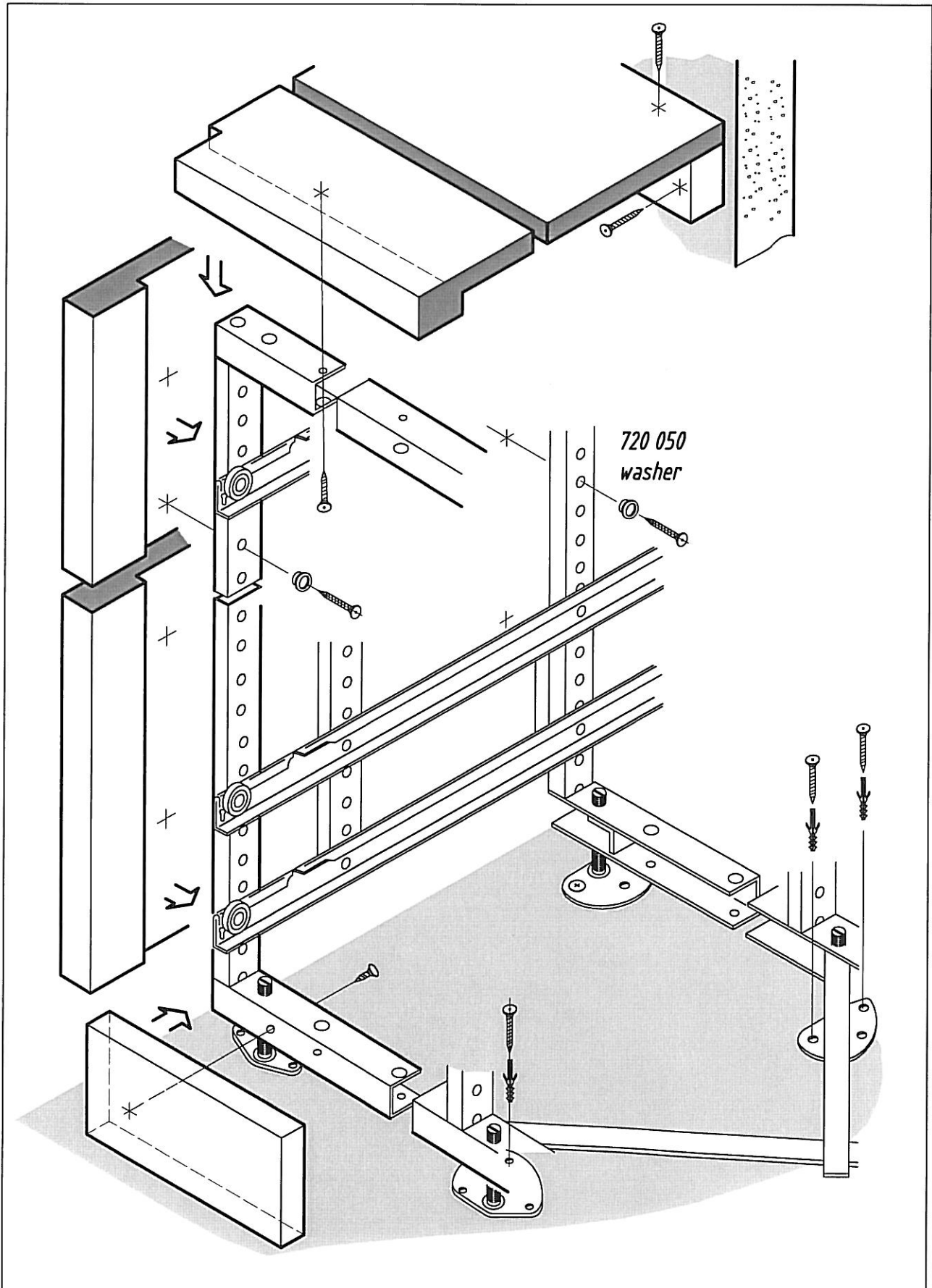
relocate spacers after installation of timber panelling (16)

FAMA 7007

SYSTEM FOR PHARMACIES

08 / 07 | PAGE 04

INSTALLATION OF TIMBER PANELLING



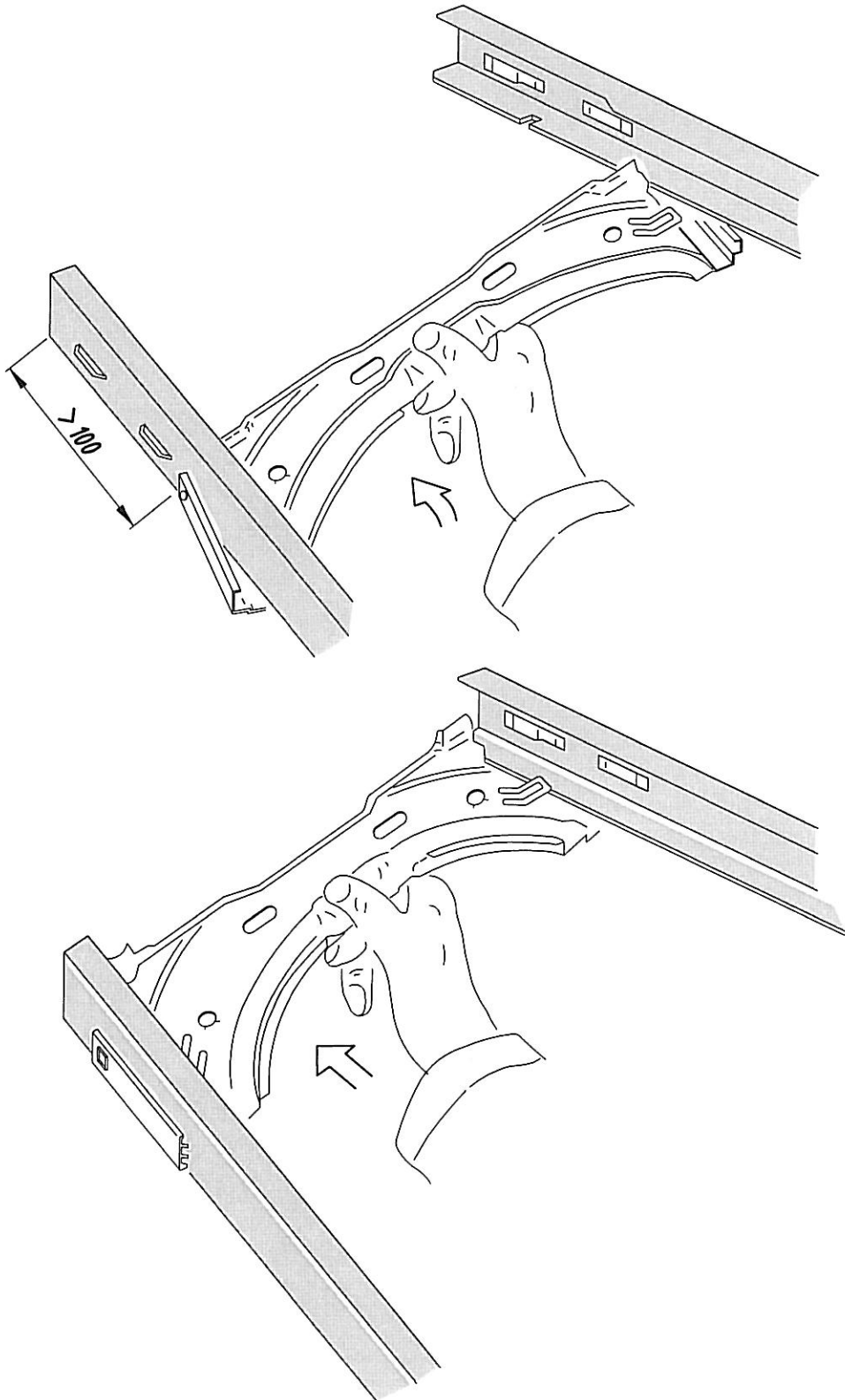
FAMA 7007

SYSTEM FOR PHARMACIES

08 / 07

PAGE 05

INSERTION OF CURVED TIE BARS GX-SYSTEM

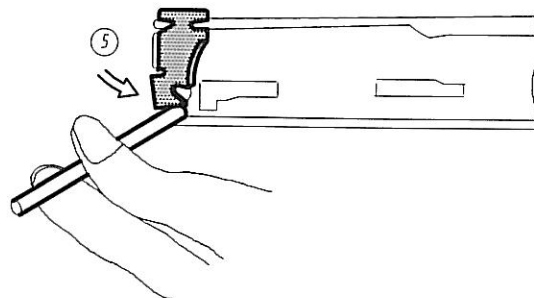
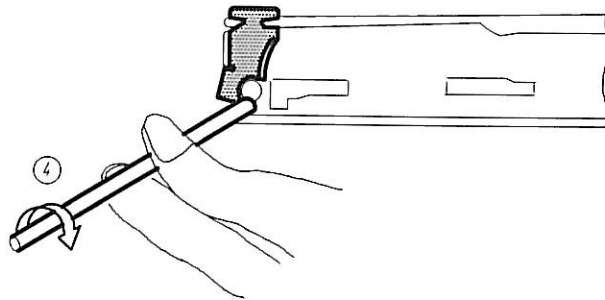
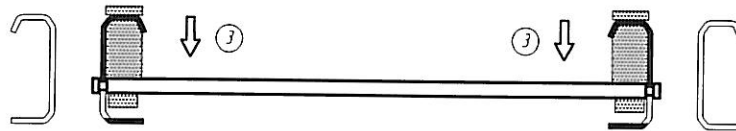
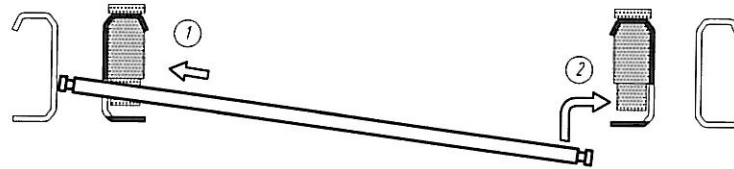


FAMA 7007

SYSTEM FOR PHARMACIES

08/07 | PAGE 06

INSERTION OF SPACERS - GUIDING RAIL FOR CARRIAGE STEP



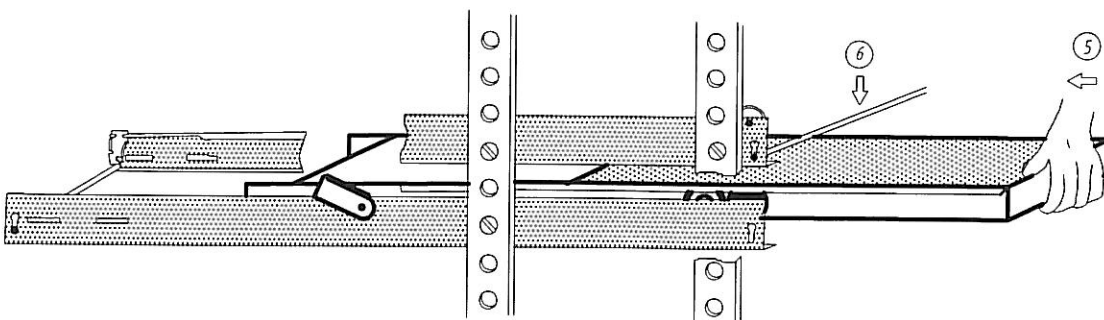
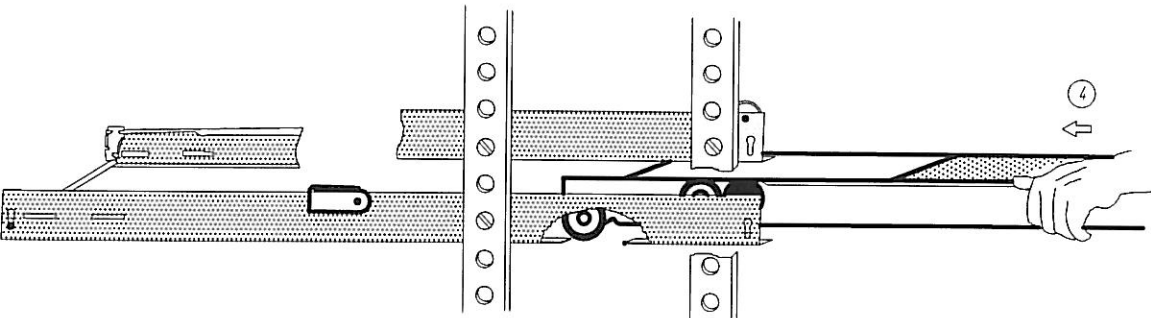
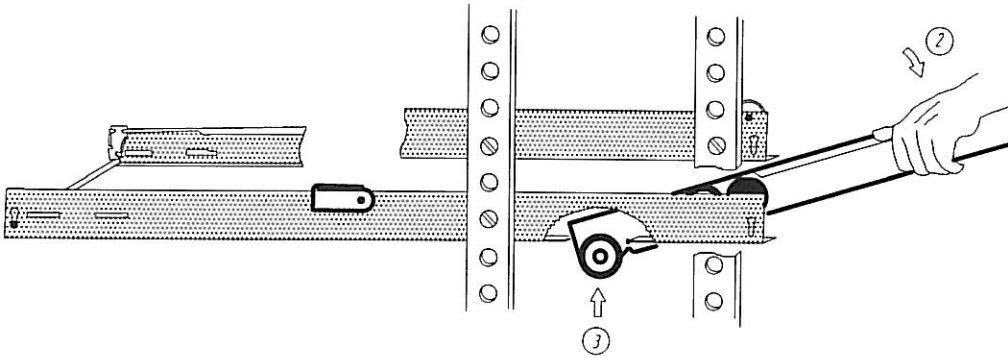
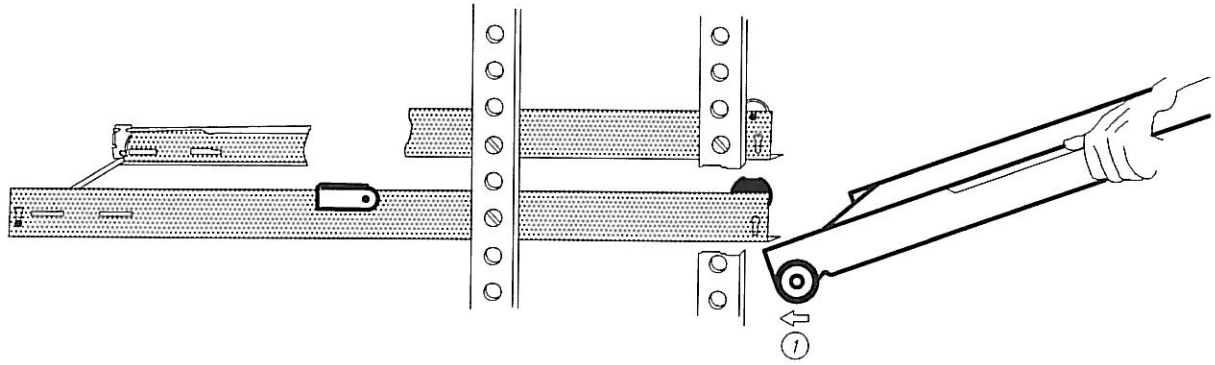
FAMA 7007

SYSTEM FOR PHARMACIES

08 / 07

PAGE 07

INSERTION OF CARRIAGE STEP



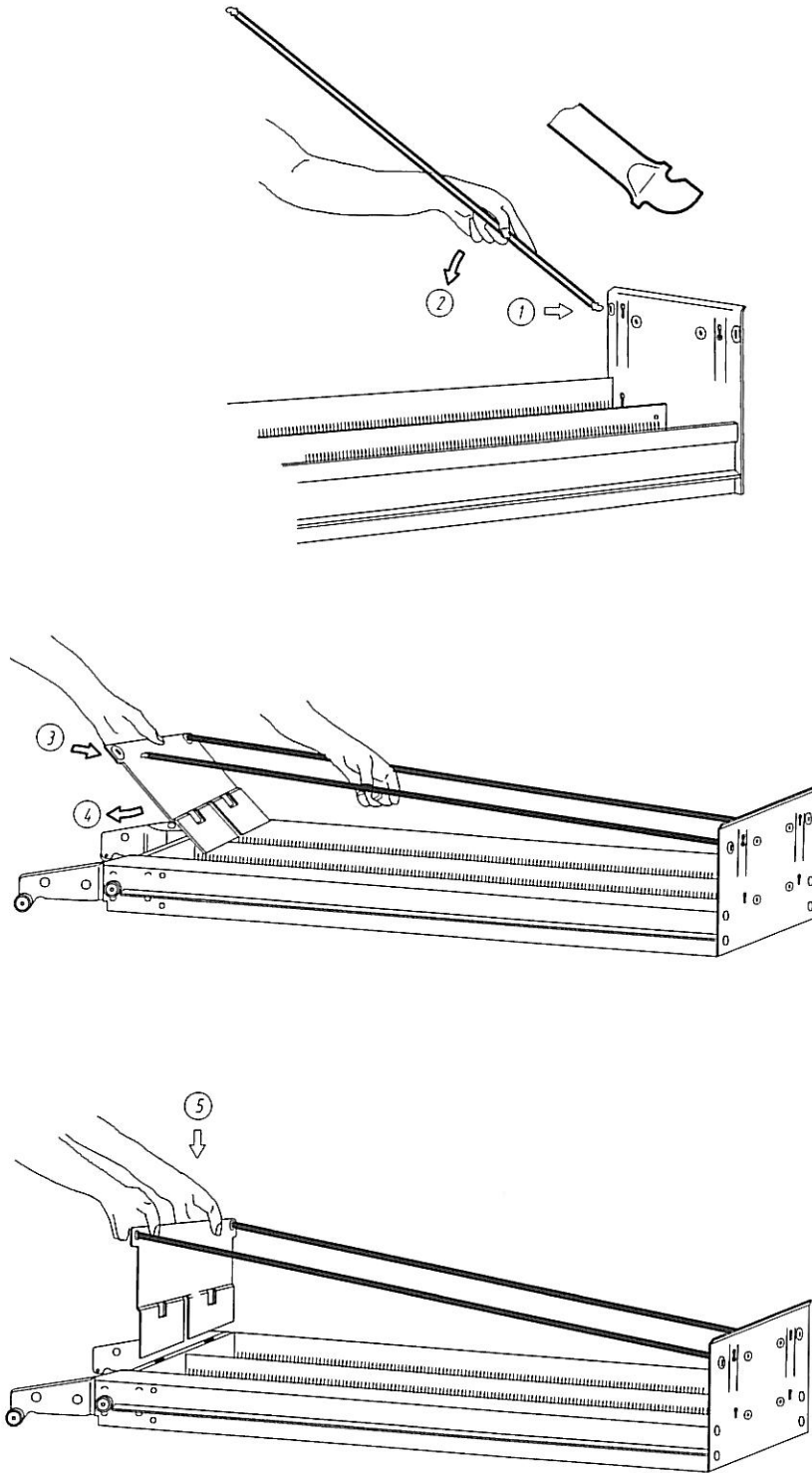
⑥ *insert additional front spacer*

FAMA 7007

SYSTEM FOR PHARMACIES

08 / 07 | PAGE 08

ASSEMBLY OF DOUBLE HEIGHT GX-DRAWERS

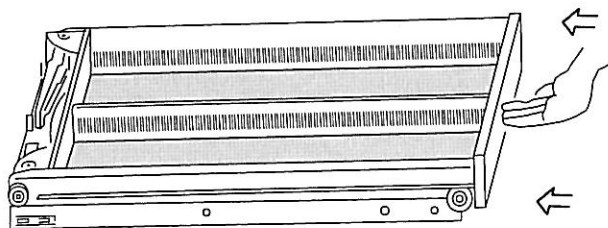
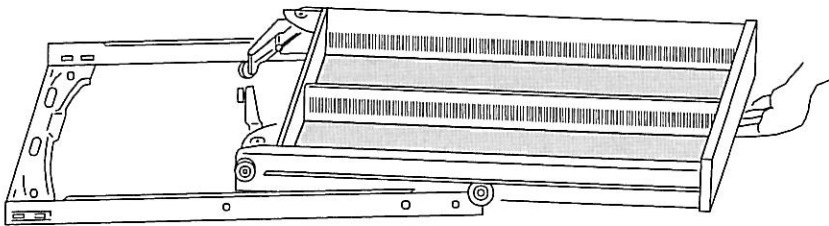
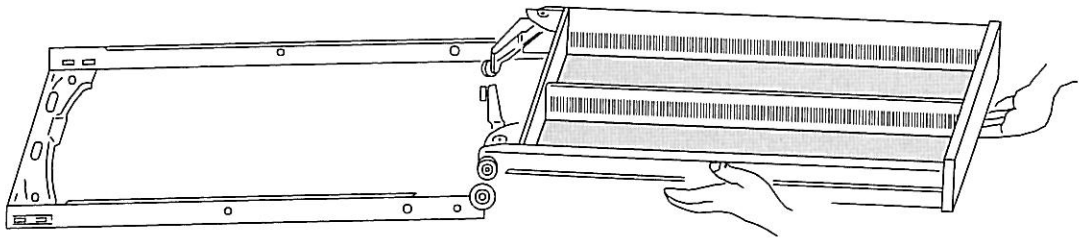


FAMA 7007

SYSTEM FOR PHARMACIES

08 / 07 | PAGE 09

INSERTION OF GX-DRAWERS



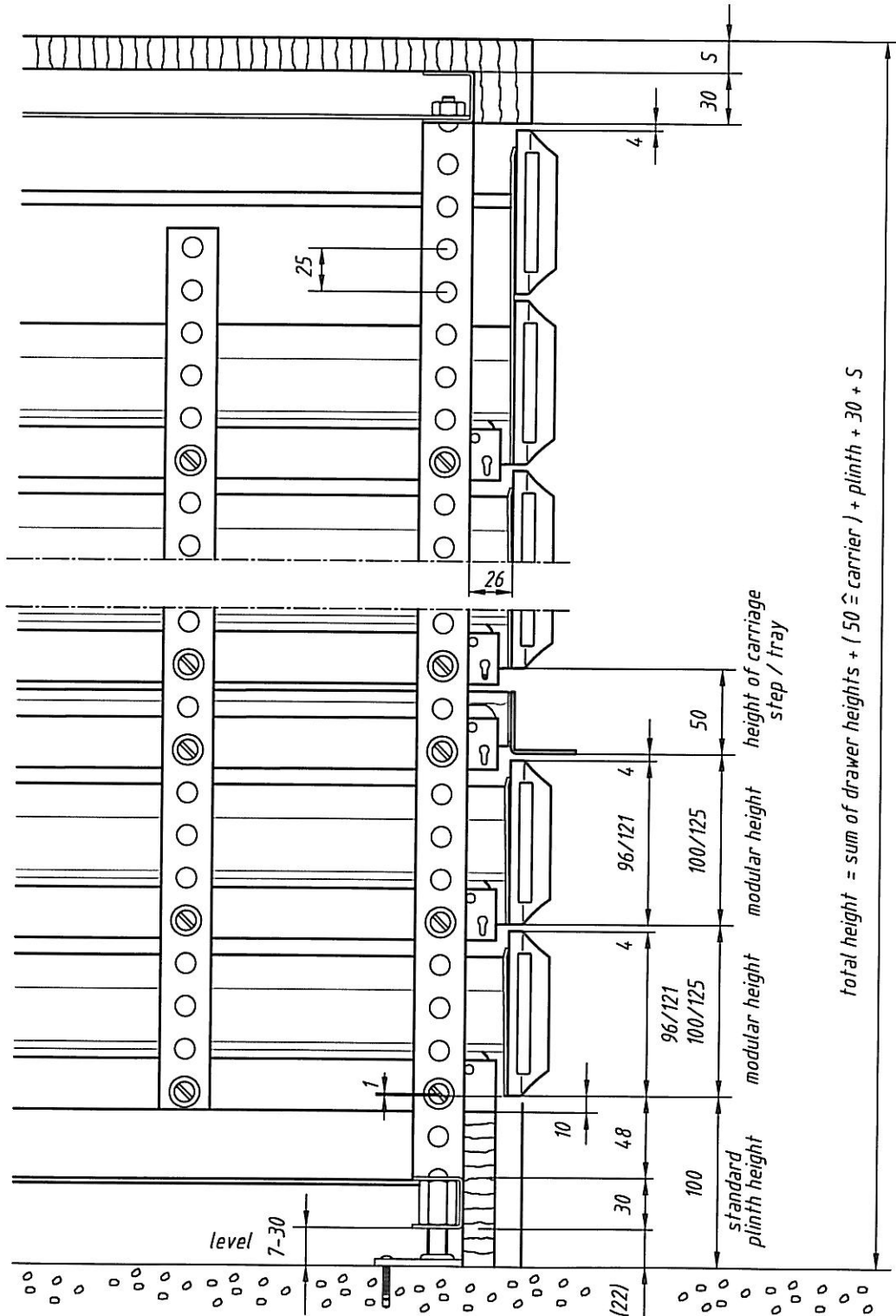
FAMA 7007

SYSTEM FOR PHARMACIES

08/07 | PAGE 10

FULL HEIGHT BAYS-VERTICAL MEASUREMENTS GX-SYSTEM

WITH FAMA VISION 1



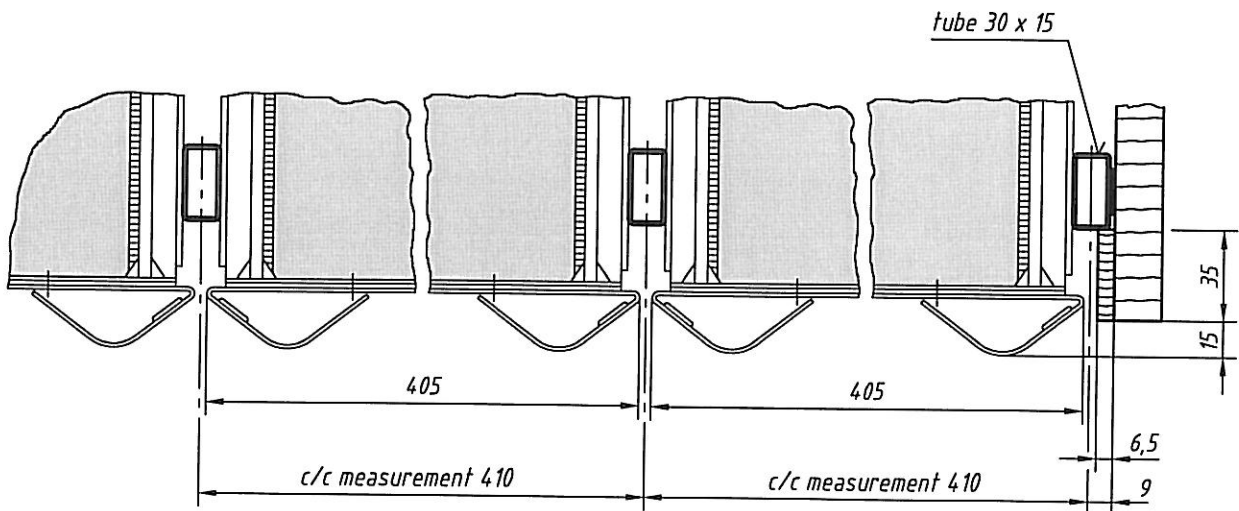
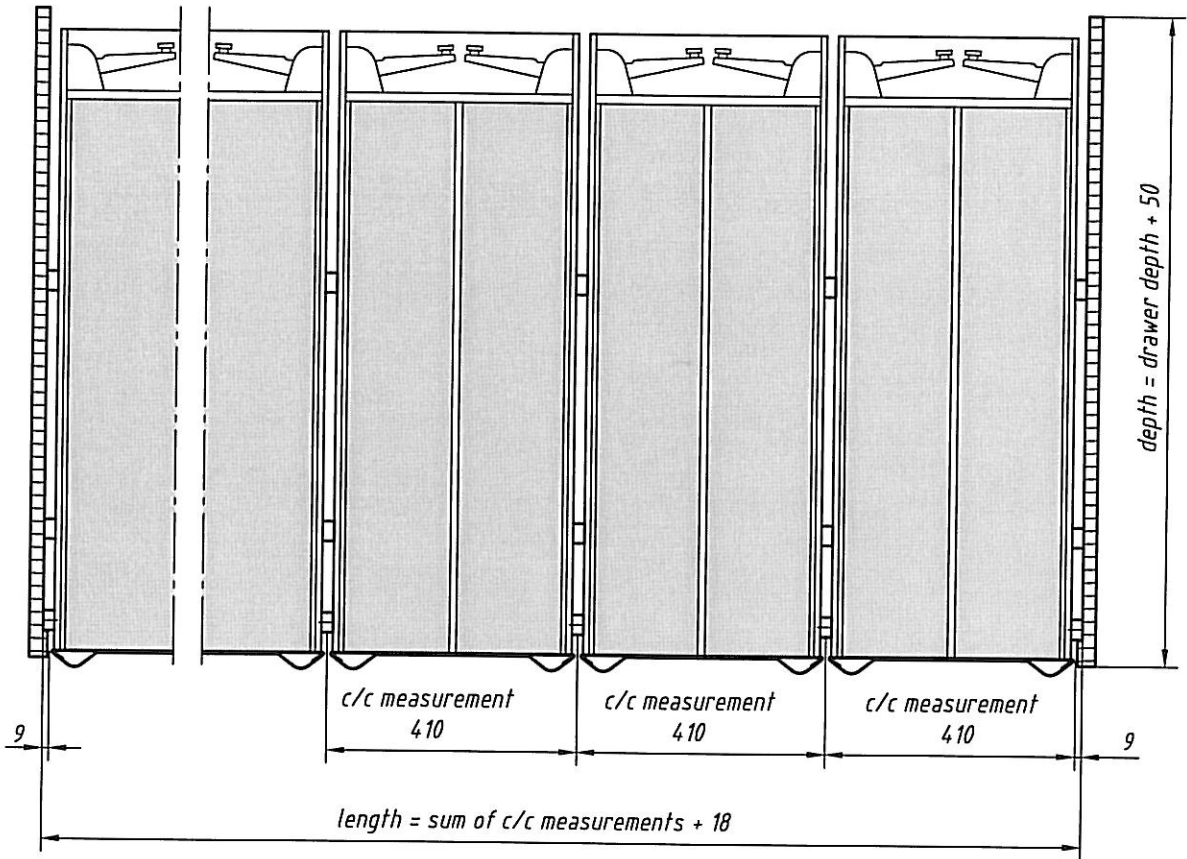
FAMA 7007

SYSTEM FOR PHARMACIES

08/07 | PAGE 11

FULL HEIGHT BAYS - HORIZONTAL MEASUREMENTS GX - SYSTEM

WITH FAMA VISION 1



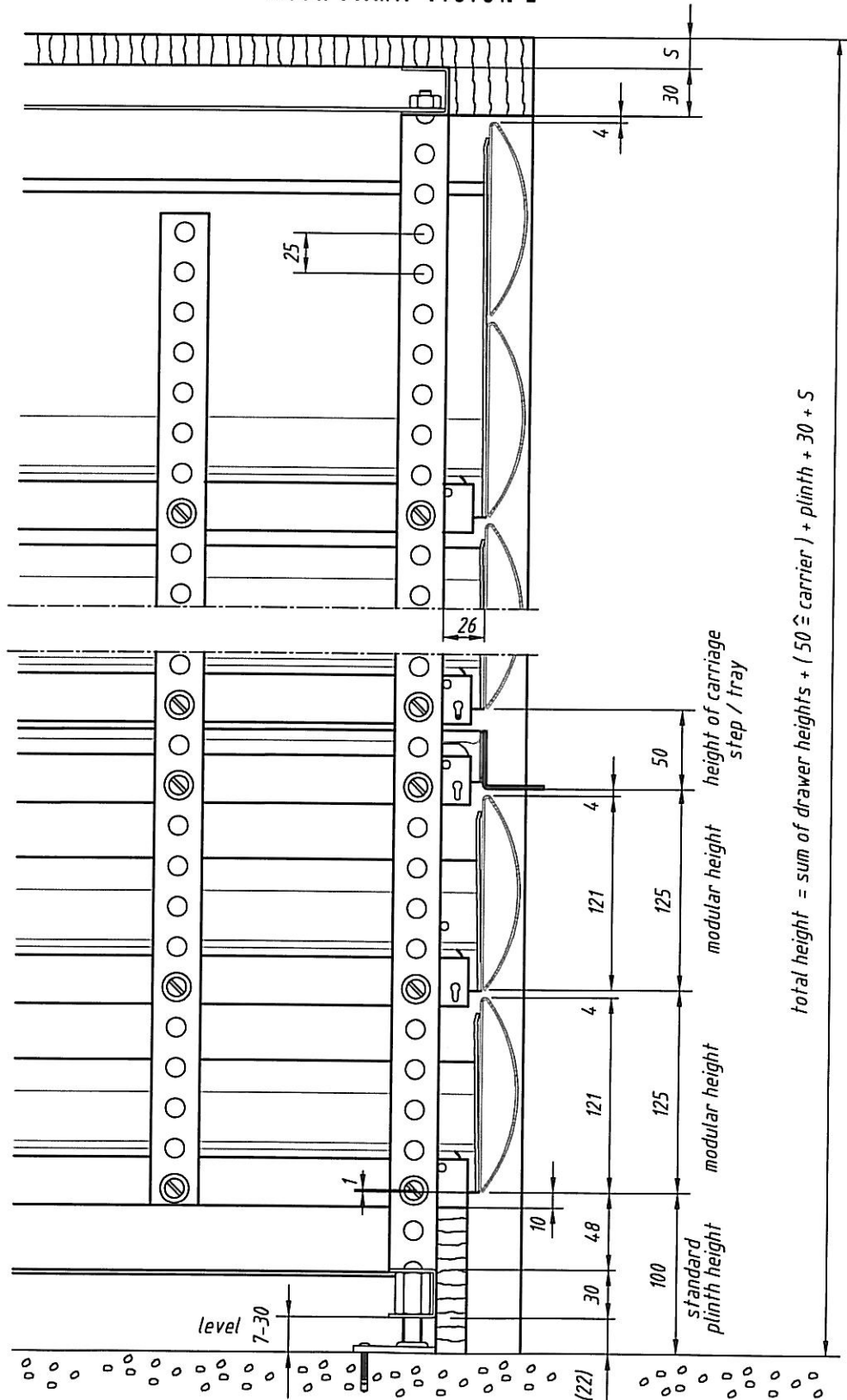
FAMA 7007

SYSTEM FOR PHARMACIES

08/07 | PAGE 12

FULL HEIGHT BAYS-VERTICAL MEASUREMENTS GX-SYSTEM

WITH FAMA VISION 2



FAMA 7007

SYSTEM FOR PHARMACIES

08/07 | PAGE 13

FULL HEIGHT BAYS - HORIZONTAL MEASUREMENTS GX - SYSTEM

WITH FAMA VISION 2

