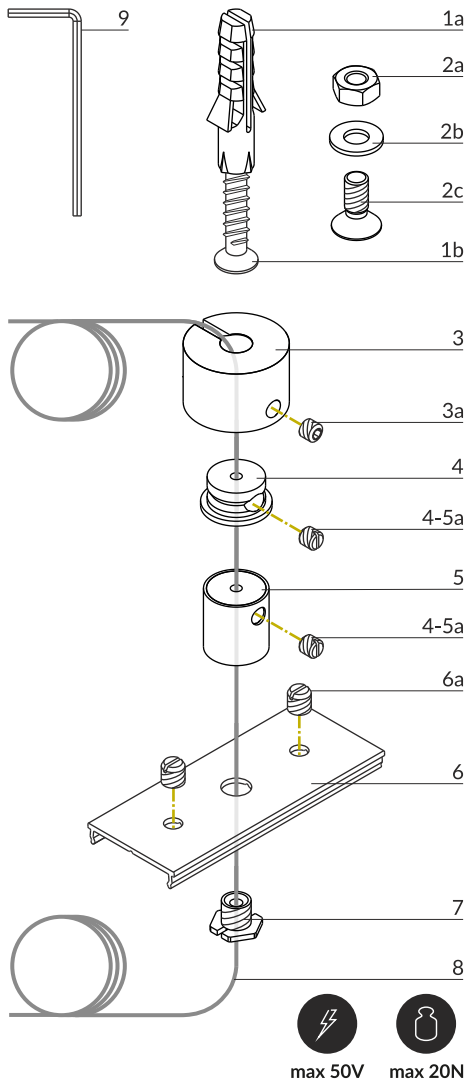


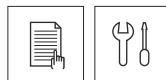
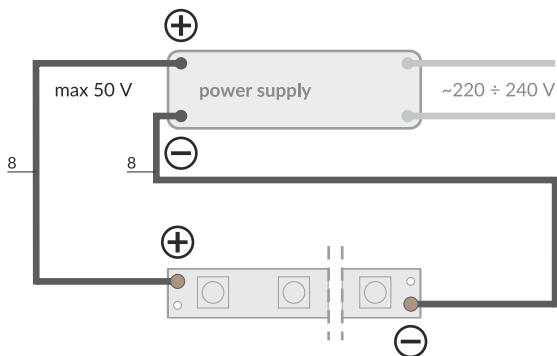
Steel Cable 50V 1500mm



Set contains:

		pcs
1a	dowel pin Fi8x40	2
1b	screw 4x40	2
2a	nut M4	2
2b	round washer M4x0,8	2
2c	machine screw M4x10	2
3	body Fi18x12	2
3a	grub screw M4x4 Allen	2
4	mandrel Fi12x6	2
4-5a	plastic grub screw M4x4	4
5	body Fi10x12	2
6	FIX16 base	2
6a	grub screw M4x5	4
7	nipple with flange M5x4,5	2
8	teflon sheath wire 1x0,50 2500 mm	2
9	Allen key	1

Electrical connection layout



Mounting must be performed by an appropriately qualified person

Mounting

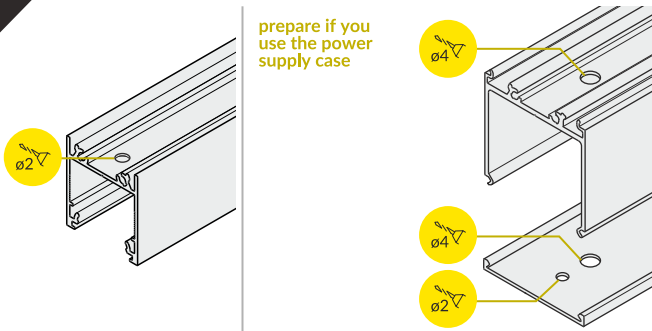


drill

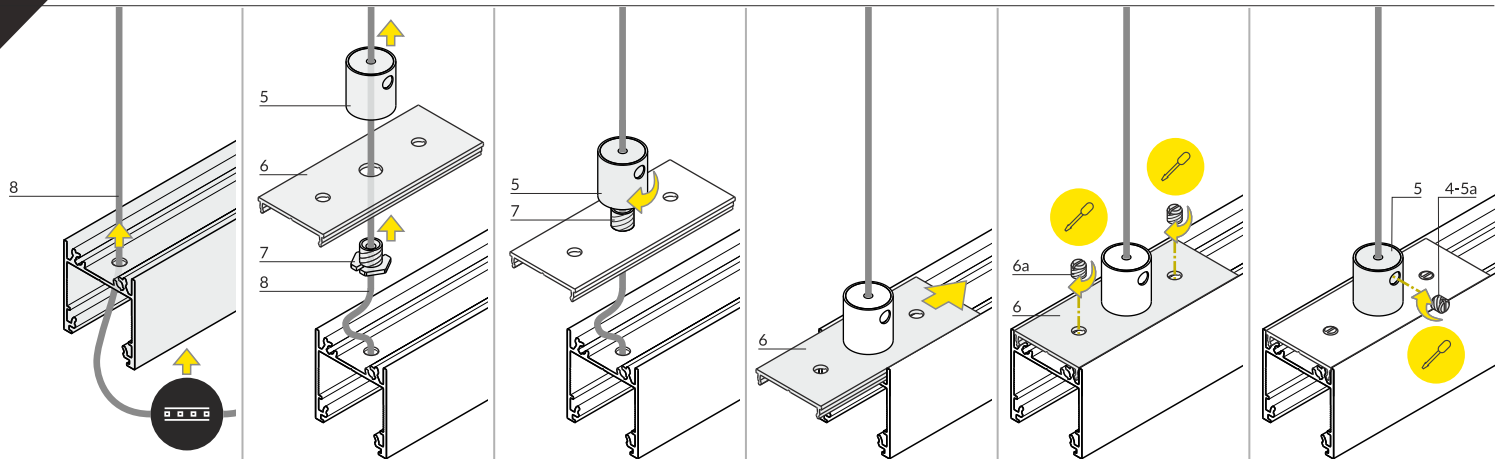


screwdriver

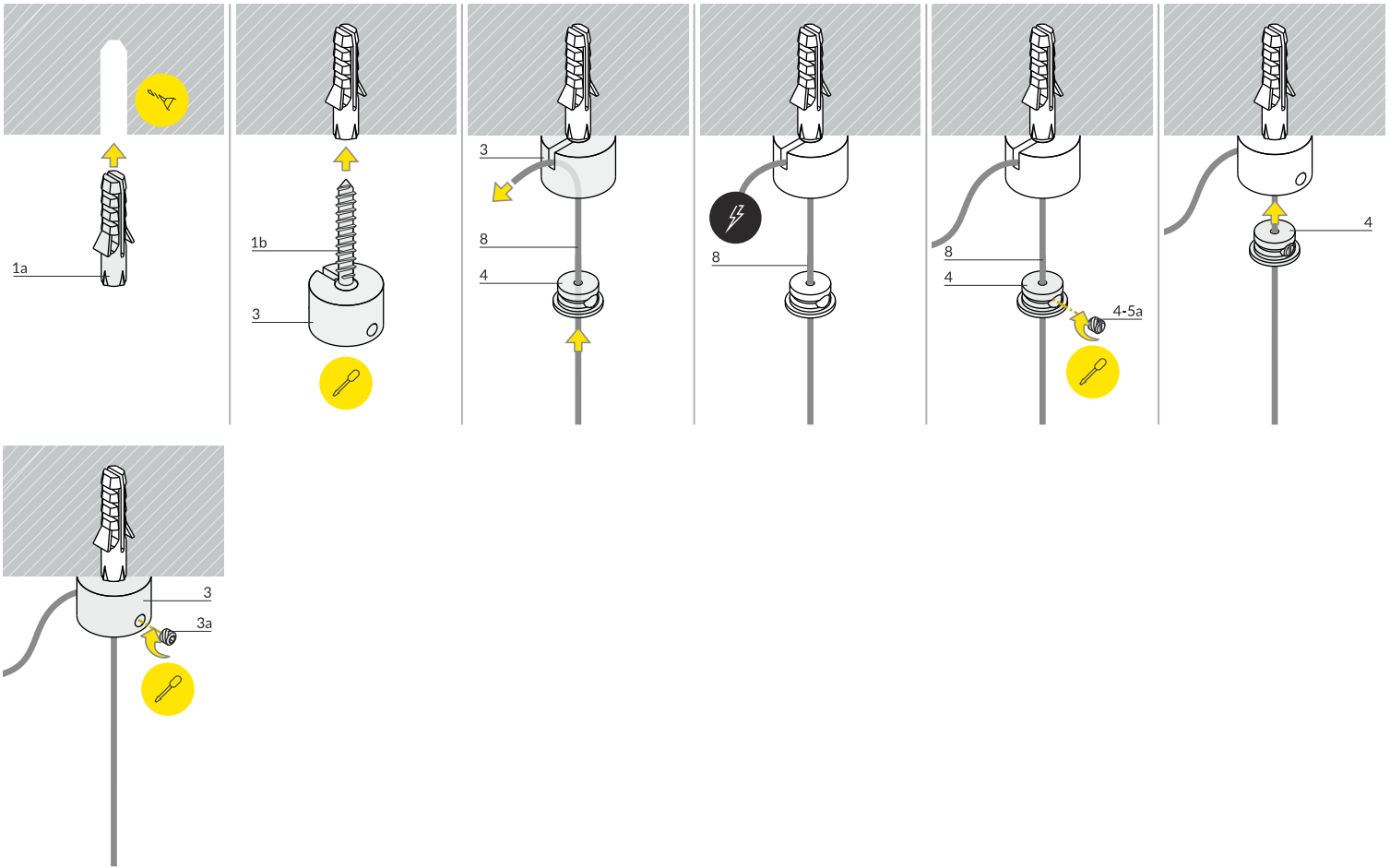
I PROFILES PREPARING



II MOUNTING TO THE PROFILE



Direct



With optional power supply cover

