

ADWS-300 series

300W LED Ultra Short Power Supply



■ Features:

- Constant voltage design
- European AC input range
- Protections: Short circuit / Over current / Over Temperature
- Cooling by free air convection
- Ultra short case design
- Fully encapsulated with IP67 level [5]

RoHS SELV

⊙ ELECTRICAL SPECIFICATION

MODEL	ADWS-300-12	ADWS-300-24
OUTPUT		
Rated Voltage	12V	24V
Rated Current	25A	12.5A
Rated Power	300W	
Line Regulation	± 1%	
Load Regulation	± 1%	
Tolerance [3]	± 2%	
Ripple & Noise (max.) [2]	1.50V _{p-p}	
Setup, Rise Time [4]	100ms, 50ms / 230VAC at full load	
Hold up Time	17ms / 230VAC at full load	
INPUT		
Voltage Range	170 ÷ 250VAC	
Frequency Range	47 ÷ 63Hz	
Efficiency (typ.)	87%	
AC Current (typ.)	2.40 A / 230VAC	
PROTECTIONS		
Overload	Range: 110 ÷ 180% of rated current Type: hiccup mode, auto-recovery.	
Short Circuit	Type: hiccup mode, auto-recovery.	
Over Temperature	Range: 110°C ± 10°C (detect by main IC) Type: Shut down o/p voltage, re-power on to recover	
WORKING ENVIRONMENT		
Working Temperature	-30°C ÷ 50°C (Refer to Derating Curve)	
Working Humidity	20 ÷ 99% RH non-condensing	
Storage Temperature and Humidity	-40°C ÷ 80°C, 10 ÷ 99% RH non-condensing	

SAFETY AND EMC REGULATIONS

ADWS-300 series

300W LED Ultra Short Power Supply



SAFETY AND EMC REGULATIONS

Withstand Voltage	I-P/O-P: 1.5kVAC; I-P/GND: 1.5kVAC
EMC Emission	Compliance to EN55015
EMC Immunity	Compliance to EN61547: 2009
Harmonic Current	Compliance to EN61000-3-2: 2014; EN61000-3-3: 2013

OTHERS

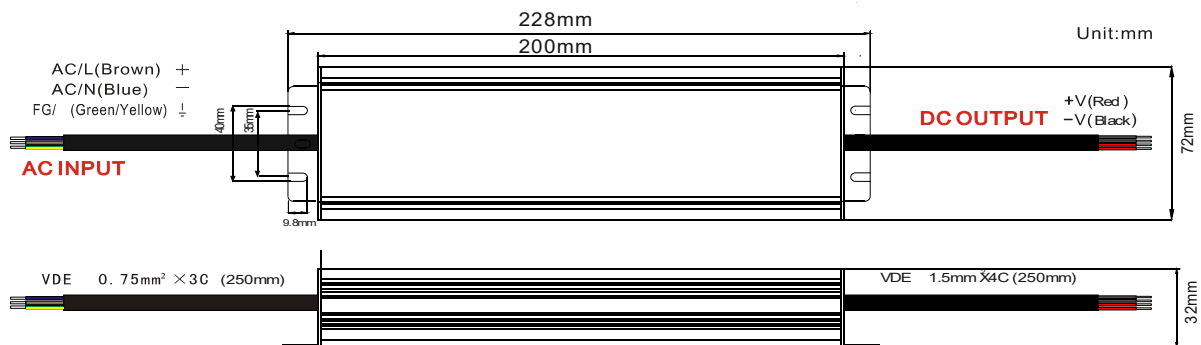
Dimensions	228 x 72 x 32mm (L x W x H)
Weight and Packing	1.1kg; 10pcs./ctn; ctn weight and dimensions: 11kg; 45.5 x 26 x 11.5cm

EAN code



1. All parameters NOT specially mentioned are measured at 230VAC input, rated load and 25°C of ambient temperature.
2. Ripple & noise are measured at 20MHz of bandwidth by using a 12" twisted pair-wire terminated with a 0.1µF i 47µF parallel capacitor.
3. Tolerance includes set up tolerance, line regulation and load regulation.
4. Setup and rise time is measured from 0 to 90% rated output voltage.
5. Suitable for indoor or outdoor use. Please avoid direct exposure to sunlight and immersion in water for over 30 minutes.
6. Power supply is considered as component not indented to apply by end-user. Power supply meets safety and EMC standards however the final equipment with power supply must be re-quality to comply with EMC Directives.

⊙ MECHANICAL SPECIFICATION



⊙ DERATING CURVE

