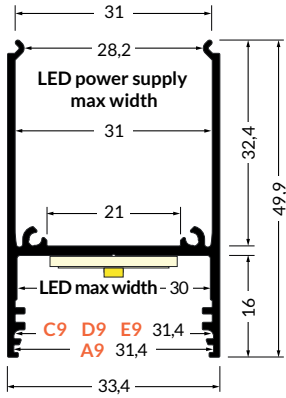


# LUVAR

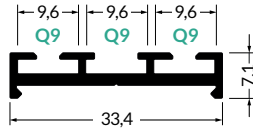
## SURFACE, SUSPENDED PROFILES LIGHTING PROFILES

 LED strip max 30 mm

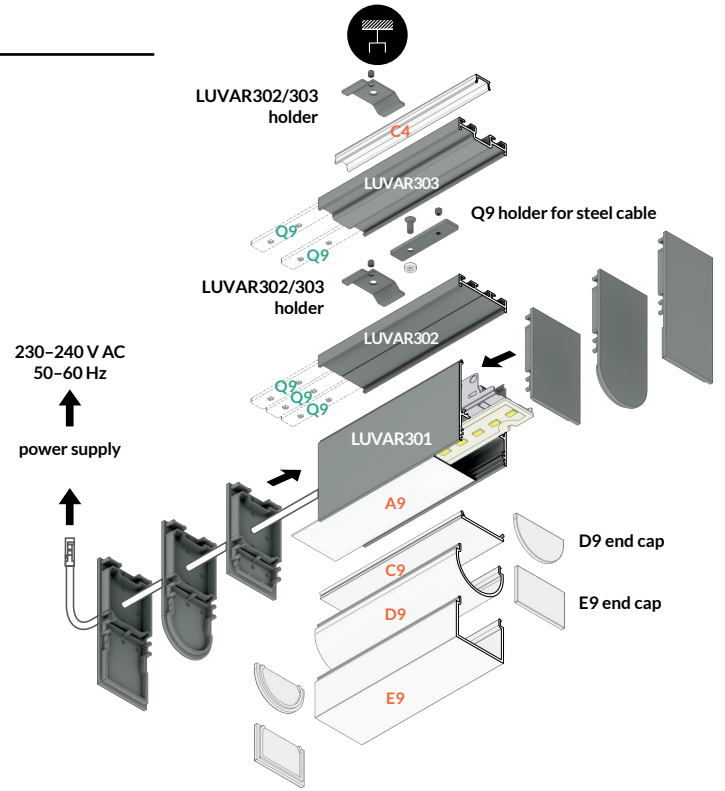
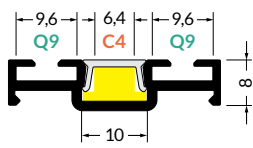
### LUVAR301



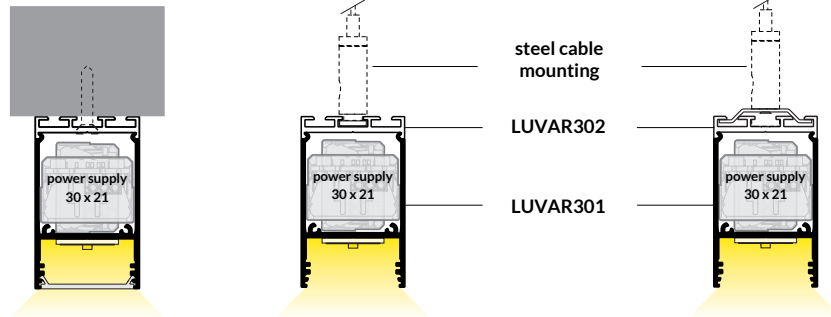
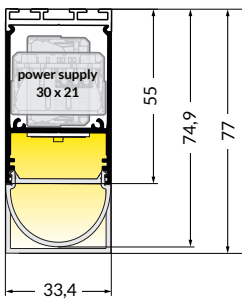
### LUVAR302



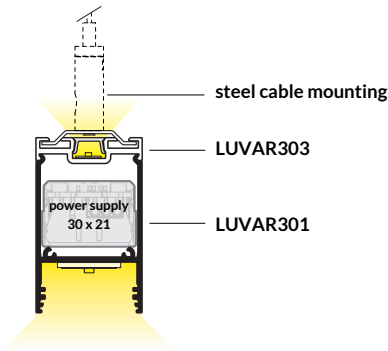
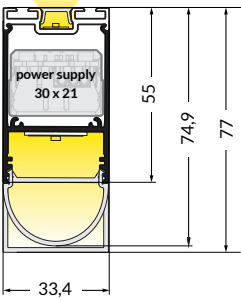
### LUVAR303










### A LUVAR301 + LUVAR302



### B LUVAR301 + LUVAR303



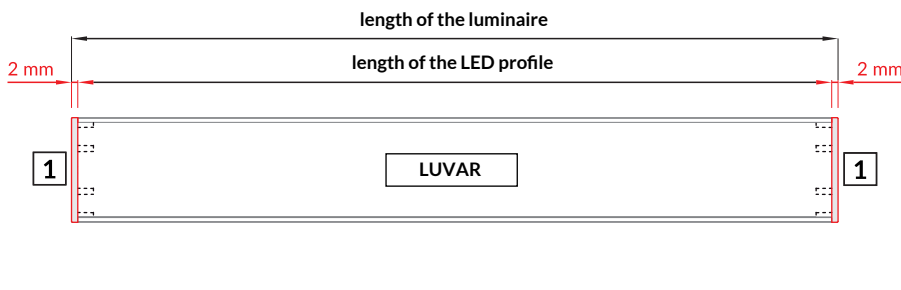
-  scissors
-  hacksaw
-  pliers
-  solders
-  soldering iron
-  screwdriver
-  drill

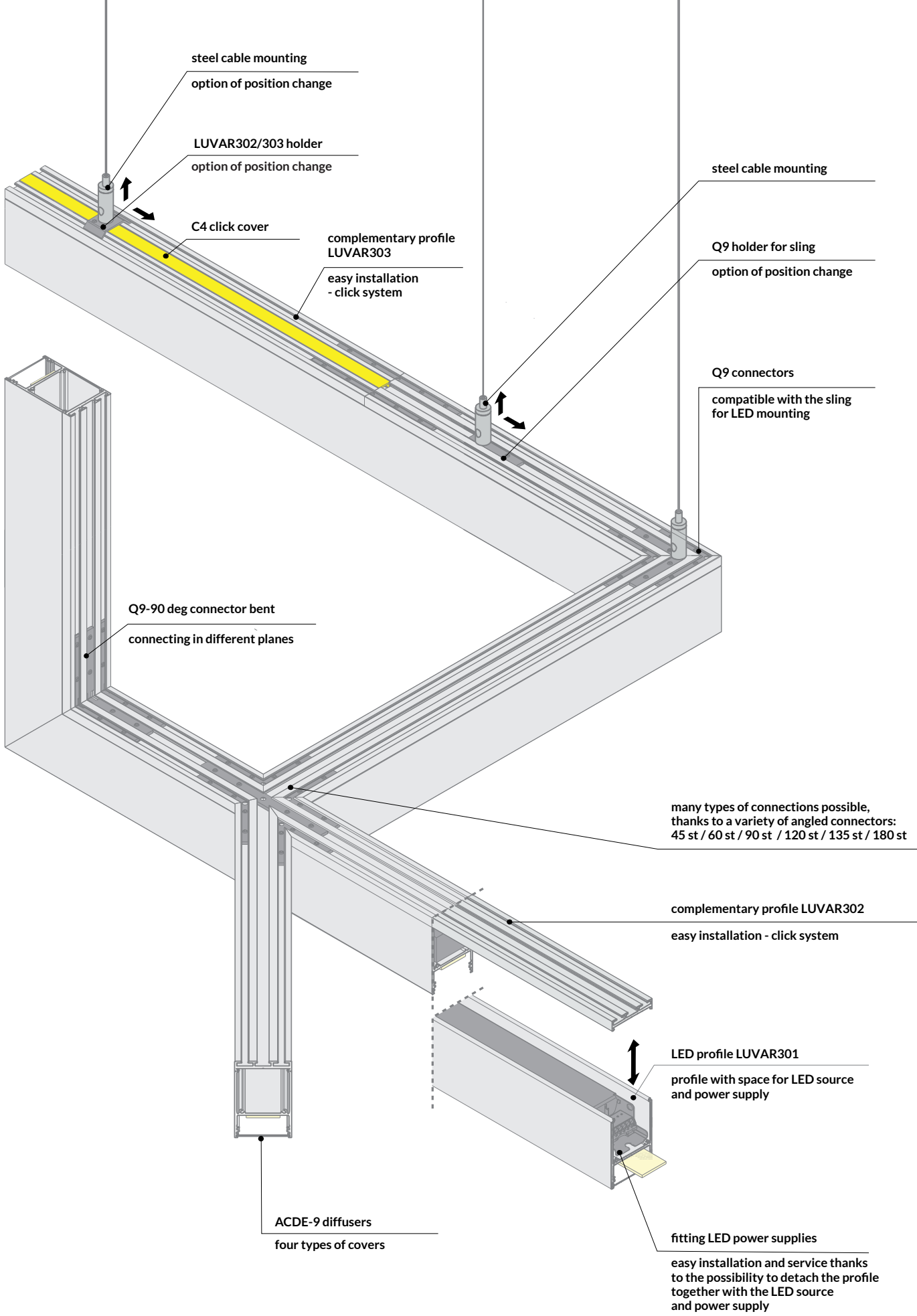


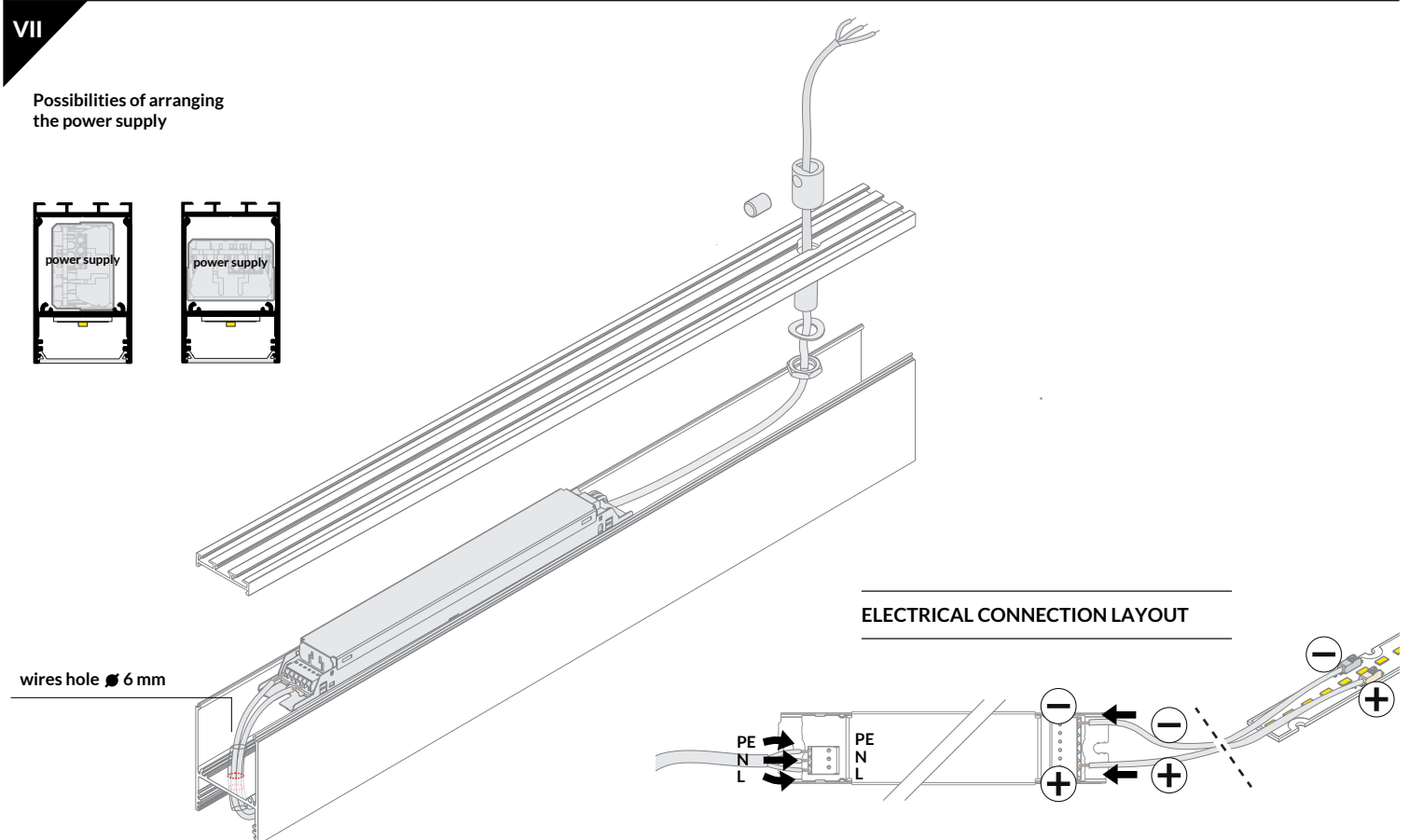
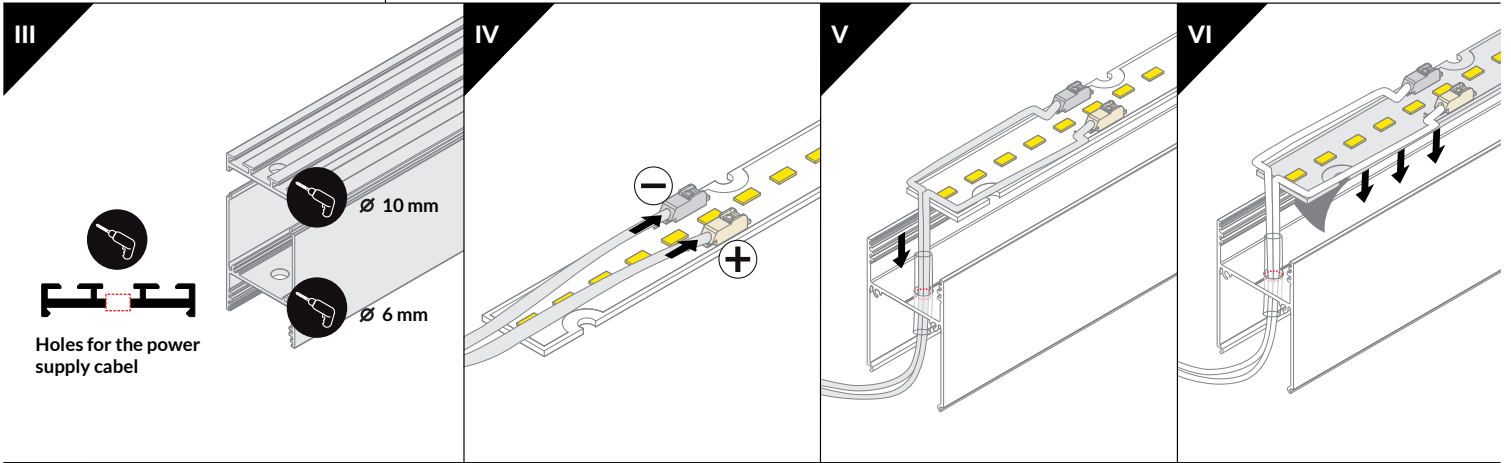
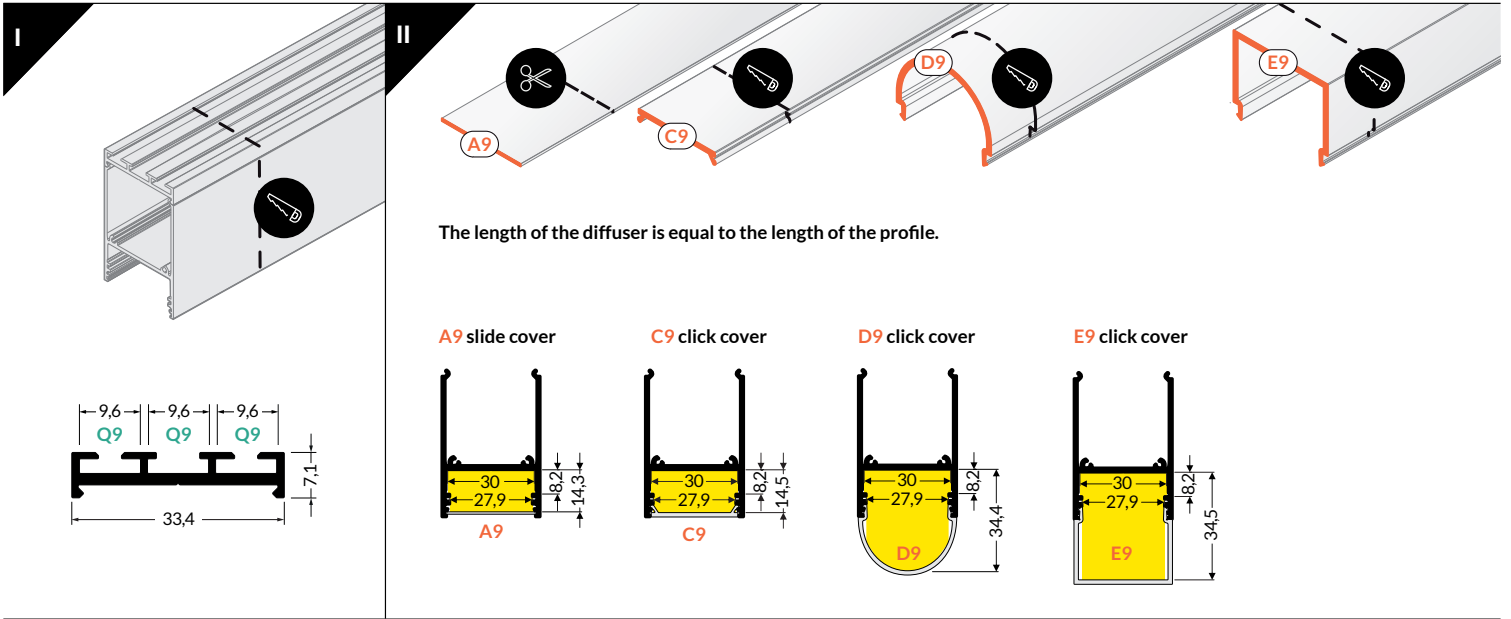
Mounting must be performed by an appropriately qualified person.

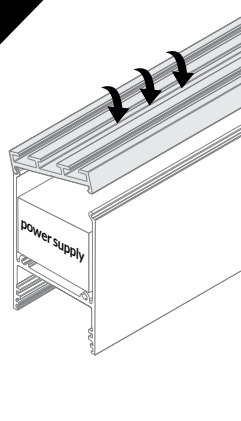
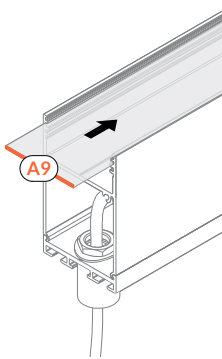
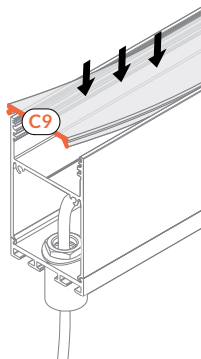
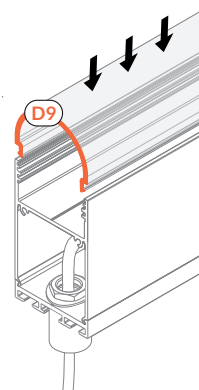
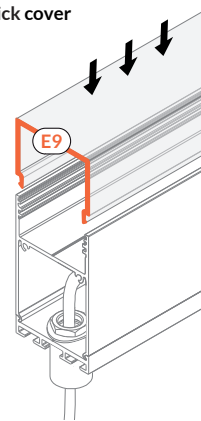


Mounting must be performed with the 230 V power supply disconnected



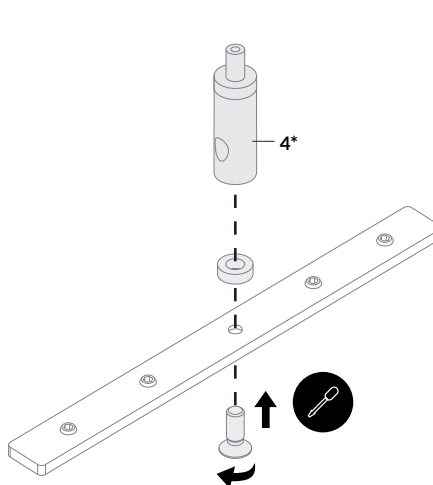
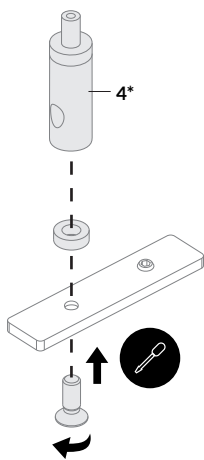
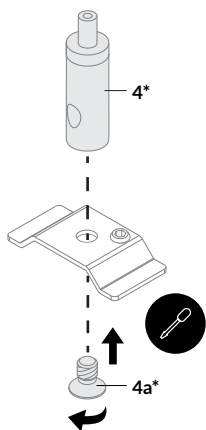




**VIII****IX****A9 slide cover****C9 click cover****D9 click cover****E9 click cover****X MOUNTING STEEL CABLE TO MOUNTING HOLDER FOR PROFILE**

LUVAR 302/303 holder

Q9 holder for steel cable

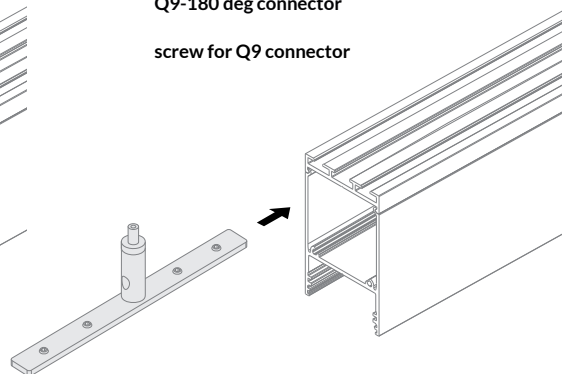
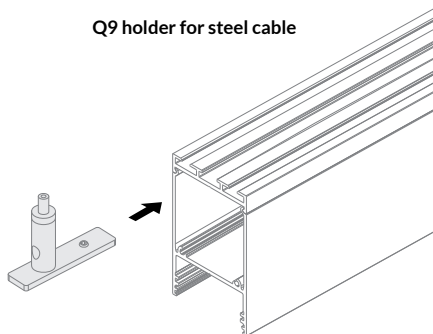
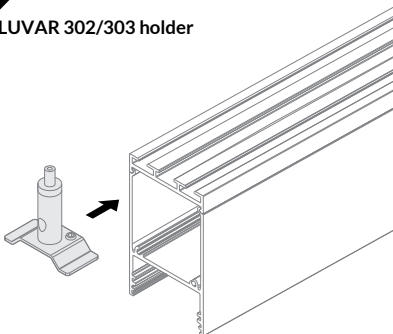
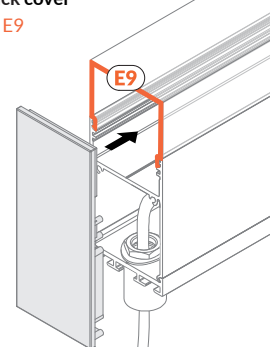
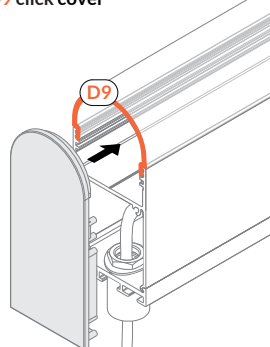
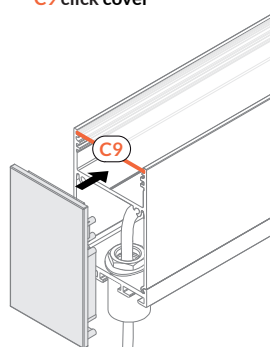
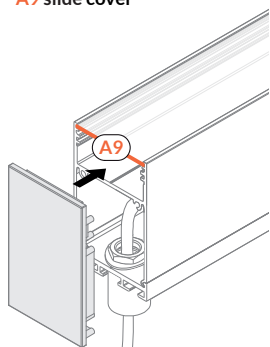
Q9-180 deg connector  
screw for Q9 connector

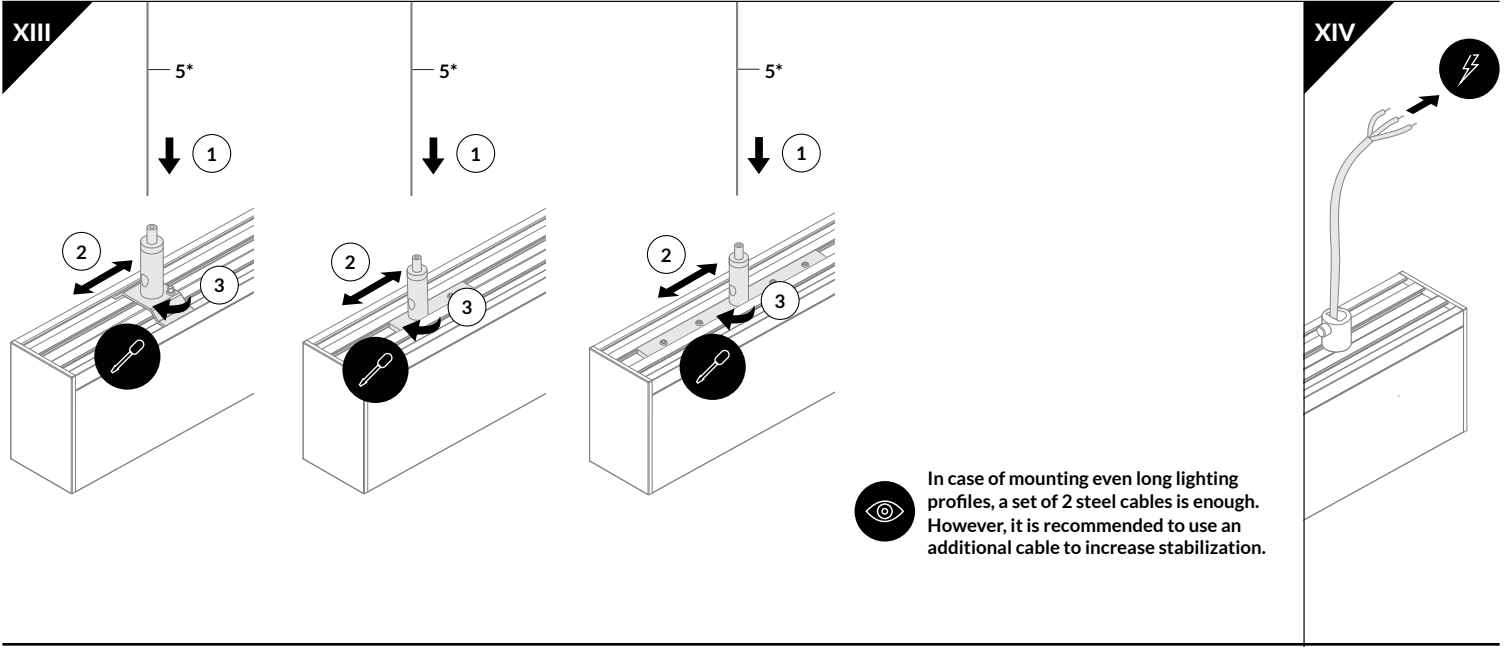
In case of mounting even long lighting profiles, a set of 2 steel cables is enough. However, it is recommended to use an additional cable to increase stabilization.

**XI**

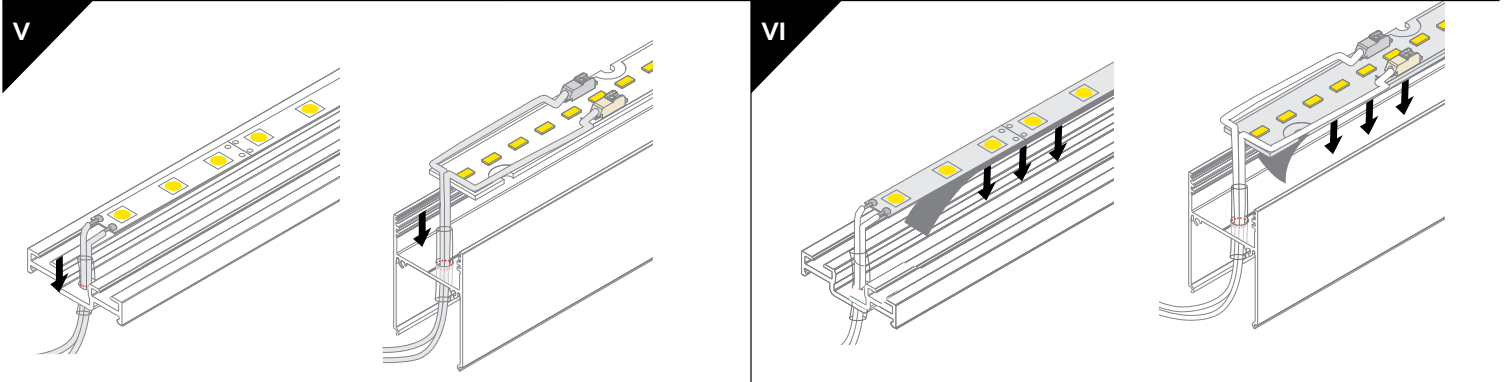
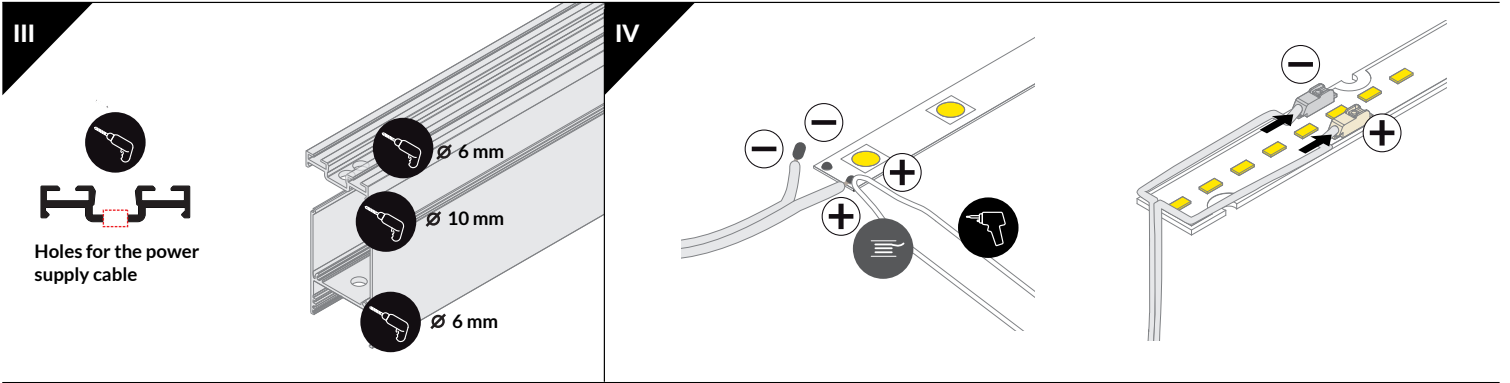
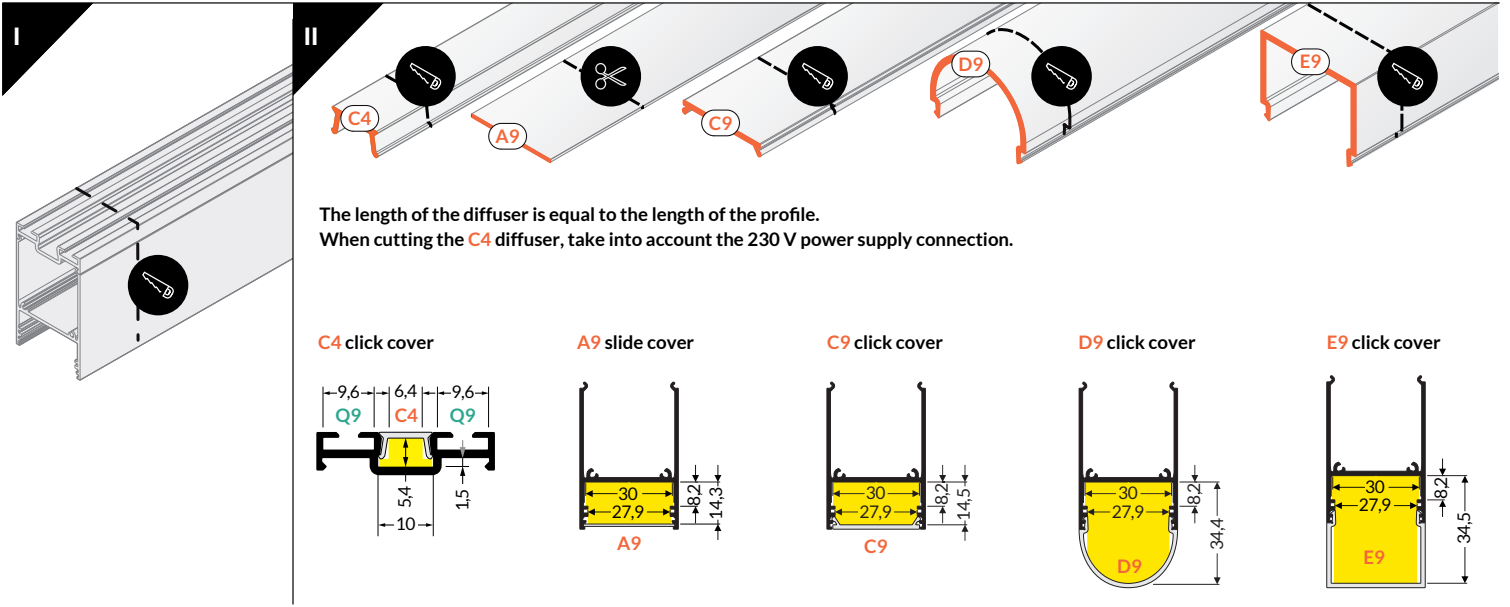
LUVAR 302/303 holder

Q9 holder for steel cable

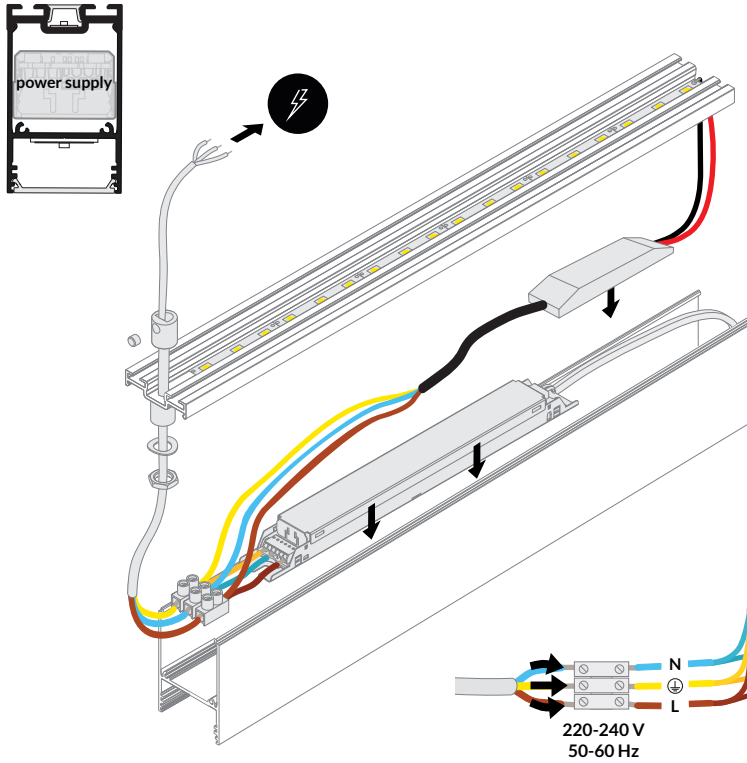
Q9-180 deg connector  
screw for Q9 connector**XII****A9 slide cover****C9 click cover****D9 click cover****E9 click cover**  
E9



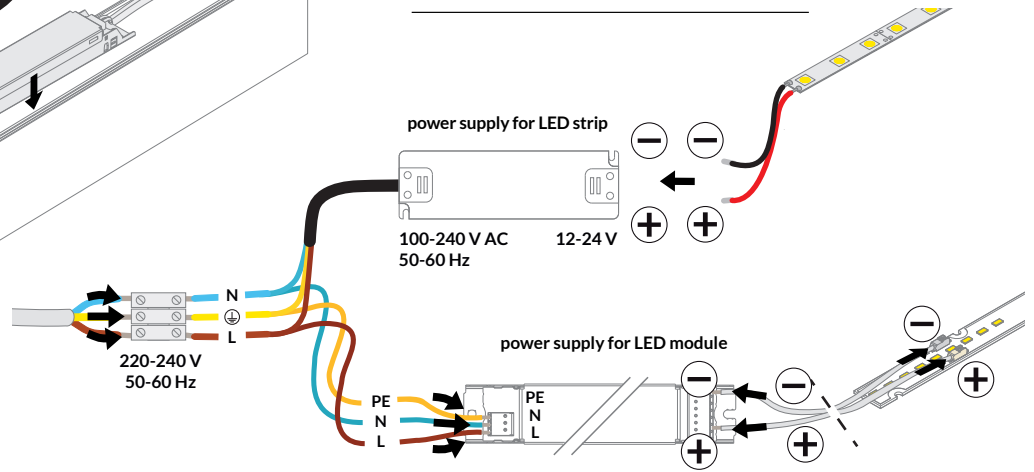
**B LUVAR301 + LUVAR303**



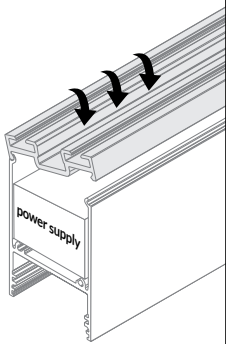
VII



ELECTRICAL CONNECTION LAYOUT

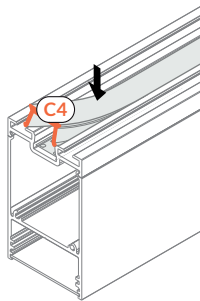


VIII

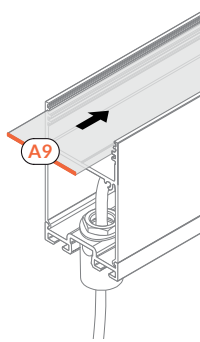


IX

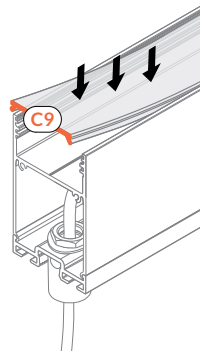
C4 click cover



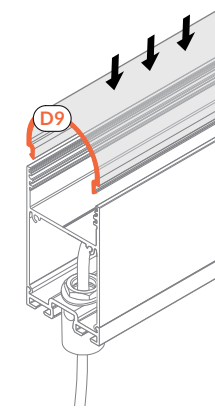
A9 slide cover



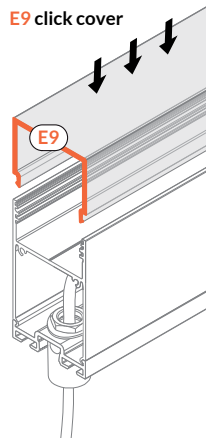
C9 click cover



D9 click cover



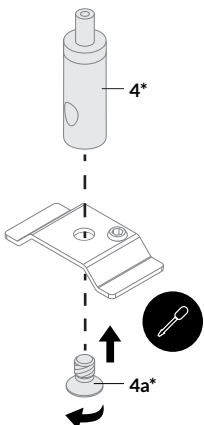
E9 click cover



X

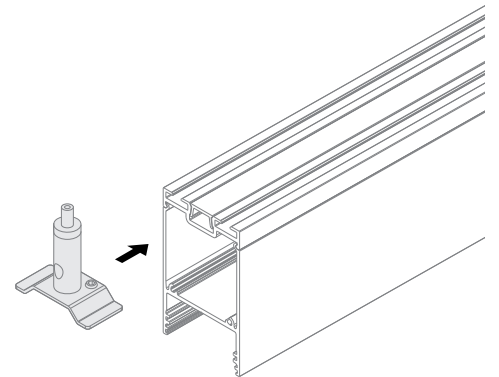
MOUNTING STEEL CABLE TO MOUNTING HOLDER FOR PROFILE

LUVAR302/303 holder



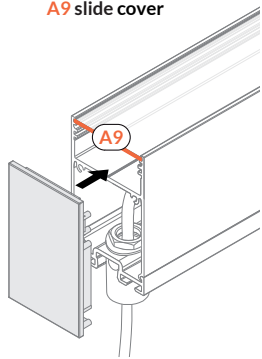
In case of mounting even long lighting profiles, a set of 2 steel cables is enough. However, it is recommended to use an additional cable to increase stabilization.

XI

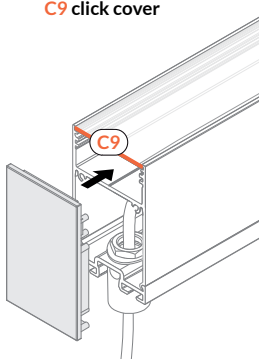


XII

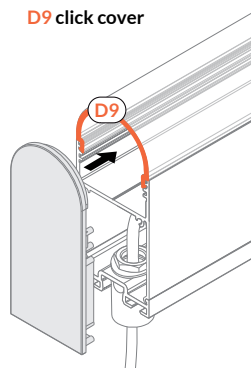
A9 slide cover



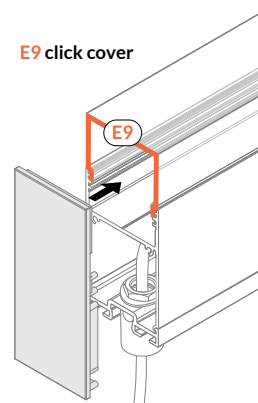
C9 click cover



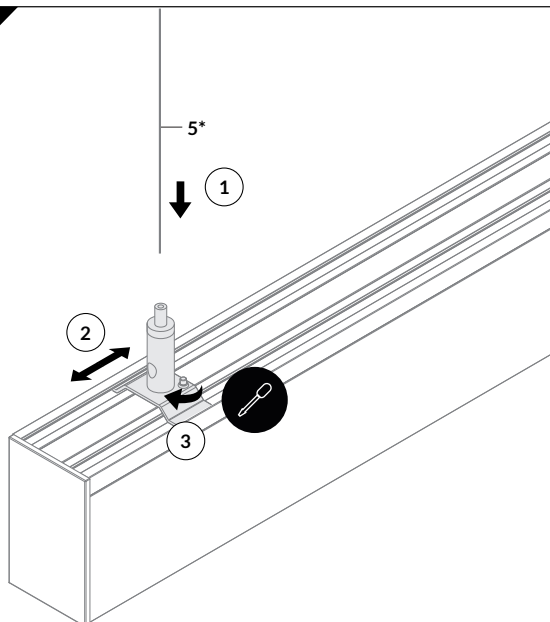
D9 click cover



E9 click cover

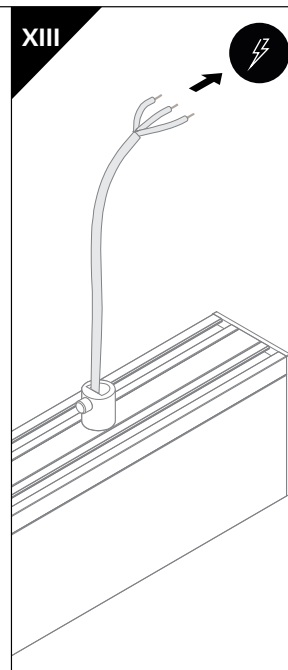


XII

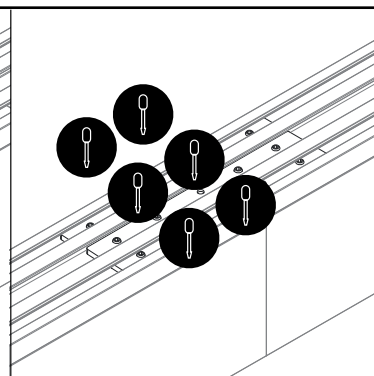
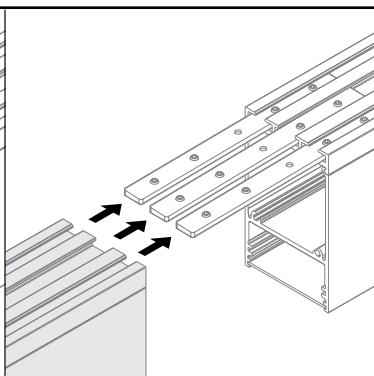
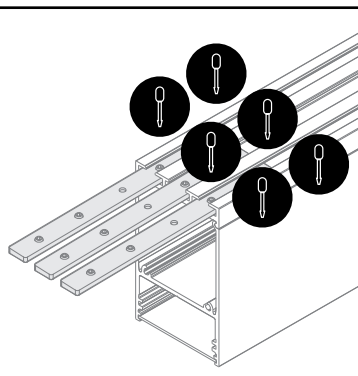
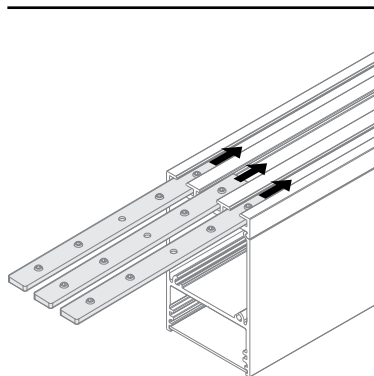


In case of mounting even long lighting profiles, a set of 2 steel cables is enough. However, it is recommended to use an additional cable to increase stabilization.

XIII



MOUNTING Q9 CONNECTORS - ANGLED CONNECTIONS



**A** LUVAR301 + LUVAR302

**B** LUVAR301 + LUVAR303

many types of connections possible, thanks to a variety of angled connectors:  
45 deg / 60 deg / 90 deg / 120 deg / 135 deg / 180 deg