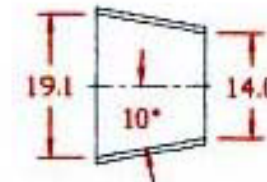
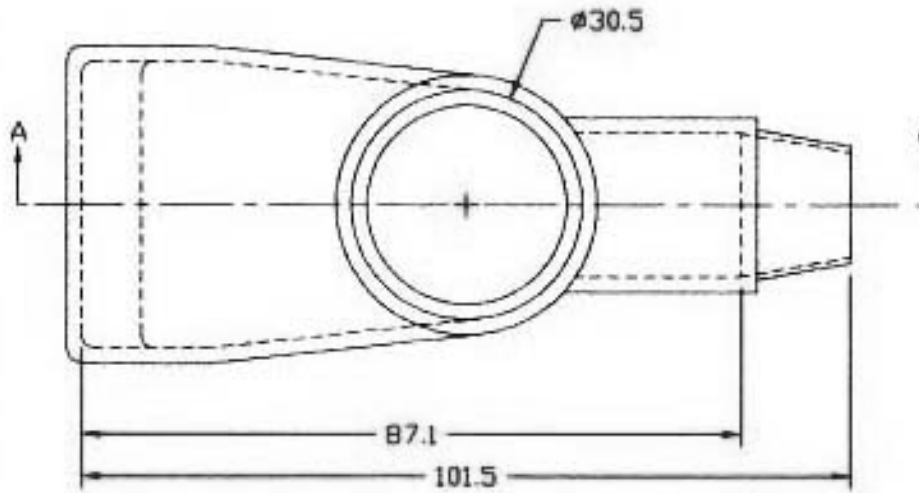
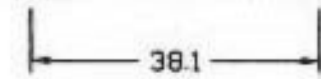
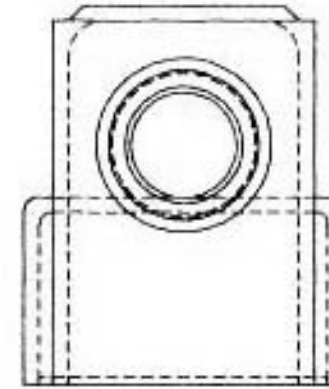


SECTION A-A



Cable entry
 Cable sizes:
 AWG 1/0 – 4/0
 50-95mm²



Dimensions in mm
 Battery cover 'type D': 457N3V02 (red) and 457N3V14 (black)